

Crock-Pot® Smart-Set™

6 QUART PROGRAMMABLE SLOW COOKER

Crock-Pot® Smart-Set™

6 QUART PROGRAMMABLE SLOW COOKER

©2006 Jarden Consumer Solutions. Printed in China
Crock-Pot®, Rival®, The Rival Logo® and SmartSet™ are
registered trademarks of Jarden Consumer Solutions.



9100050001329
Printed in China

RIVAL Owner's Manual and Cookbook

SERVICE INSTRUCTIONS

1. Do NOT attempt to repair or adjust any electrical or mechanical functions on this unit. Doing so will void the Warranty.
2. If you need to exchange the unit, please return it in its original carton, with a sales receipt, to the store where you purchased it. If you are returning the unit more than 30 days after the date of purchase, please see the enclosed Warranty.
3. If you have any questions or comments regarding this unit's operation or believe any repair is necessary, please write to our Consumer Service Department or visit our website at www.rivalproducts.com.

RIVAL
c/o JCS/THG, LLC
CONSUMER SERVICE DEPARTMENT
303 Nelson Avenue
Neosho, MO 64850

WARRANTY

ONE (1) YEAR LIMITED WARRANTY

SAVE THIS WARRANTY INFORMATION

- A. This Warranty applies ONLY to the original purchaser of this product.
- B. This Warranty applies ONLY to repair or replacement of any supplied or manufactured parts of this product that, upon inspection by JCS/THG, LLC authorized personnel, is shown to have failed in normal use due to defects in material or workmanship. JCS/THG, LLC will determine whether to repair or replace the unit. This Warranty does not apply to installation expenses.
- C. Operating this unit under conditions other than those recommended or at voltages other than the voltage indicated on the unit, or attempting to service or modify the unit, will render this WARRANTY VOID.
- D. Unless otherwise proscribed by law, JCS/THG, LLC shall not be liable for any personal injury, property or any incidental or consequential damage of any kind resulting from malfunctions, defects, misuse, improper installation or alteration of this product.
- E. All parts of this product are guaranteed for a period of 1 year as follows:
 1. Within the first 30 days from date of purchase, the store from which you purchased your product should replace this product if it is defective in material or workmanship (provided the store has in-stock replacement.) If you intend to assert any claim in connection with the product, please follow the instructions in paragraph F.
 2. Within the first 12 months from date of purchase, JCS/THG, LLC will repair or replace the product if it is defective in material or workmanship, subject to the conditions in paragraph G.
- F. If you have any other problem or claim in connection with this product, please write our Consumer Service Department.
- G. IMPORTANT RETURN INSTRUCTIONS. Your Warranty depends on your following these instructions if you are returning the unit to JCS/THG, LLC:
 1. Carefully pack the item in its original carton or other suitable box to avoid damage in shipping.
 2. Before packing your unit for return, be sure to enclose:
 - a) Your name, full address with zip code and telephone number
 - b) A dated sales receipt or PROOF OF PURCHASE,
 - c) Your \$10.00 check for return shipping and handling, and
 - d) The model number of the unit and the problem you are having. (Enclose in an envelope and tape directly to the unit before the box is sealed.)
 3. JCS/THG, LLC recommends you ship the package U.P.S. ground service for tracking purposes.
 4. All shipping charges must be prepaid by you.
 5. Mark the outside of your package:

RIVAL
c/o JCS/THG, LLC
303 Nelson Avenue
Neosho, MO 64850

SHIPPING AND HANDLING CHARGES: \$10.00 (USD)

This Warranty gives you specific legal rights, and you may have other rights which vary from state to state. The provisions of this Warranty are in addition to, and not a modification of, or subtraction from, the statutory warranties and other rights and remedies contained in any applicable legislation. To the extent that any provision of this Warranty is inconsistent with any applicable law, such provision shall be deemed voided or amended, as necessary, to comply with such law.

Table of Contents

Important Safeguards.....	E2
Introduction	E4
Know Your Smart-Set™ Slow Cooker.....	E5
Before You Use Your Smart-Set™ Slow Cooker.....	E5
Assembly.....	E5
How to Use Your Smart-Set™ Slow Cooker.....	E6
Auto Cook Mode.....	E7
Digital Timer Mode.....	E9
Dual Cycle Mode with Digital Timer.....	E10
Manual Mode.....	E11
Usage Notes.....	E12
Care and Cleaning.....	E13
Cooking Hints and Tips.....	E14
Recipes.....	E18
Brunch and Beverages.....	E21
Appetizers and Side Dishes.....	E26
Main Courses.....	E34
Poultry.....	E34
Pork and Sausage.....	E45
Beef.....	E54
Vegetarian.....	E63
Soups and Chowders.....	E66
Holidays and Special Occasions.....	E72
Desserts	E82
Service Instructions.....	E88
Warranty.....	E88

IMPORTANT SAFEGUARDS

When using electrical appliances, basic safety precautions should always be followed, including the following:


1. Read all instructions before using.
2. Do not touch hot surfaces. Use handles or knobs.
3. To protect against electrical shock, do not immerse cord, plug, temperature probe cord, or heating base in water or other liquid.
4. Close supervision is necessary when any appliance is used by or near children.
5. Unplug from outlet when not in use and before cleaning. Allow unit to cool before putting on or taking off parts.
6. Do not operate any appliance with a damaged cord or plug or after the appliance malfunctions or has been damaged in any manner. Return appliance to the manufacturer (see warranty) for examination, repair, or adjustment.
7. The use of accessory attachments not recommended by the manufacturer may cause fire, electrical shock, or injury.
8. Do not use outdoors.
9. Do not let cord hang over edge of table or counter, or touch heated surfaces.
10. Do not place on or near a hot gas or electric burner, or in a heated oven.
11. Extreme caution must be used when moving an appliance containing hot oil or other hot liquids. Always use hot pads when moving your heated slow cooker.
12. Do not use appliance for other than intended use.
13. Avoid sudden temperature changes, such as adding refrigerated foods into a heated pot.
14. To disconnect, press the OFF button then remove plug from wall outlet.

SAVE THESE INSTRUCTIONS

This appliance is for HOUSEHOLD USE ONLY.

No user-serviceable parts inside. Do not attempt to service this product.

A short power-supply cord is provided to reduce the hazards resulting from entanglement or tripping over a longer cord. AN EXTENSION CORD MAY BE USED WITH CARE; HOWEVER, THE MARKED ELECTRICAL RATING SHOULD BE AT LEAST AS GREAT AS THE ELECTRICAL RATING OF THE SLOW COOKER. The extension cord should not be allowed to drape over the counter or tabletop where it can be pulled on by children or tripped over unintentionally.

	<p>POLARIZED PLUG</p> <p>This appliance has a polarized plug, (one blade is wider than the other). As a safety feature to reduce the risk of electrical shock, this plug is intended to fit in a polarized outlet only one way. If the plug does not fit fully in the outlet, reverse the plug. If it still does not fit, contact a qualified electrician. Do not attempt to defeat this safety feature or modify the plug in any way. If the plug fits loosely into the AC outlet or if the AC outlet feels warm do not use that outlet.</p>
--	--

IMPORTANT NOTE: Some countertop and table surfaces, such as Corian® and other surfaces, are not designed to withstand the prolonged heat generated by certain appliances. We recommend placing a hot pad or trivet under your slow cooker to prevent possible damage to the surface.

NOTE: During initial use of this appliance, some slight smoke and/or odor may be detected. This is normal with many heating appliances and will not recur after a few uses.

NOTE: Please use caution when placing your stoneware on a ceramic or smooth glass cook top stove, countertop, table, or other surface. Due to the nature of the stoneware, the rough bottom surface may scratch some surfaces if caution is not used. Always place protective padding under stoneware before setting on table or countertop.

Introduction

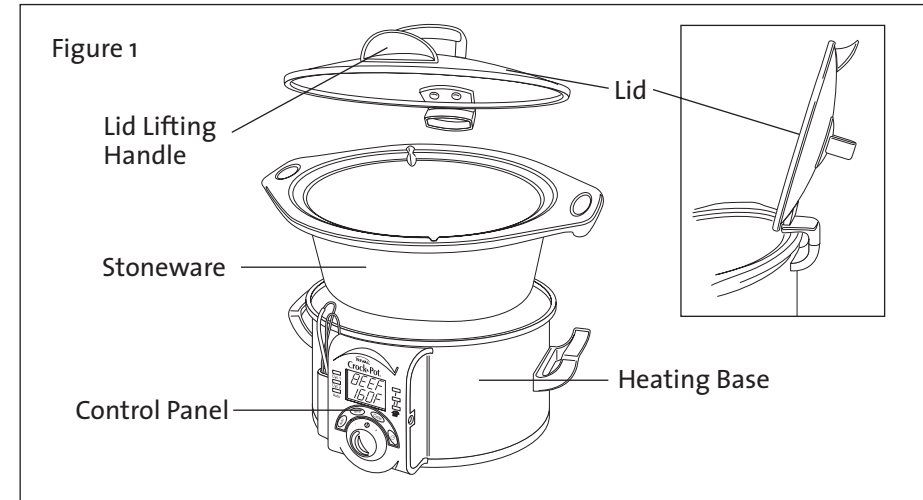
Just when you thought slow cooking couldn't get any easier, the Smart-Set™ slow cooker takes it to a whole new level: Advanced cooking capabilities at the touch of a button help you customize your cooking to create a gourmet meal. What's more, it works around your schedule.

By taking out all of the guesswork, the Smart-Set™ slow cooker allows you to cook any type of meat to perfection. The pre-set meat options and digital thermometer ensure optimal flavor, and the slow cooker automatically switches to the WARM setting when the food is done, so your meal is always delicious and table-ready despite your busy schedule. The Smart-Set™ slow cooker also follows any recipe without constant supervision, even if the recipe calls for a change in temperature a few hours into cooking. Finally, you can spend your time enjoying a home-cooked meal rather than preparing it.

Your family and guests will certainly be impressed not only by the premium taste of the culinary creations you and your Smart-Set™ slow cooker cook up, but also by the unique functional and aesthetic qualities of the slow cooker. With a six-quart capacity, convenient hinged lid for serving, and WARM setting, the Smart-Set™ slow cooker will be the staple of family dinners and the envy of the buffet table. Whether you are a home chef who demands precision cooking or an amateur with a history of under - or over-cooking food, the Smart-Set™ slow cooker will soon play an indispensable role in your meal preparation.

It will only take one meal to understand why the Smart-Set™ slow cooker is the chef's favorite!

Know Your Smart-Set™ Slow Cooker



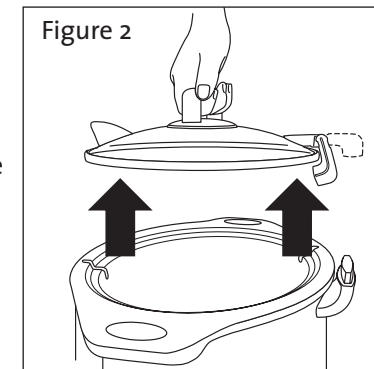
Before You Use Your Smart-Set™ Slow Cooker

Before you use your slow cooker, wash the lid, stoneware, temperature probe, and temperature probe housing in warm, soapy water and dry thoroughly. NEVER immerse the heating base in water or any other liquid.

Assembly

1. Place Stoneware into the Heating Base.
2. Lower the Lid horizontally down onto the Stoneware. Be sure to align the Lid Hinge so that it slides down onto the mating Heating Base Hinge. (See Figure 2)
3. When raising and lowering the Lid, use the Lid Lifting Handle. (See Figure 1)

Caution: When disassembling, ALWAYS remove the lid first, and then remove the stoneware.



How to Use Your Smart-Set™ Slow Cooker

Figure 3

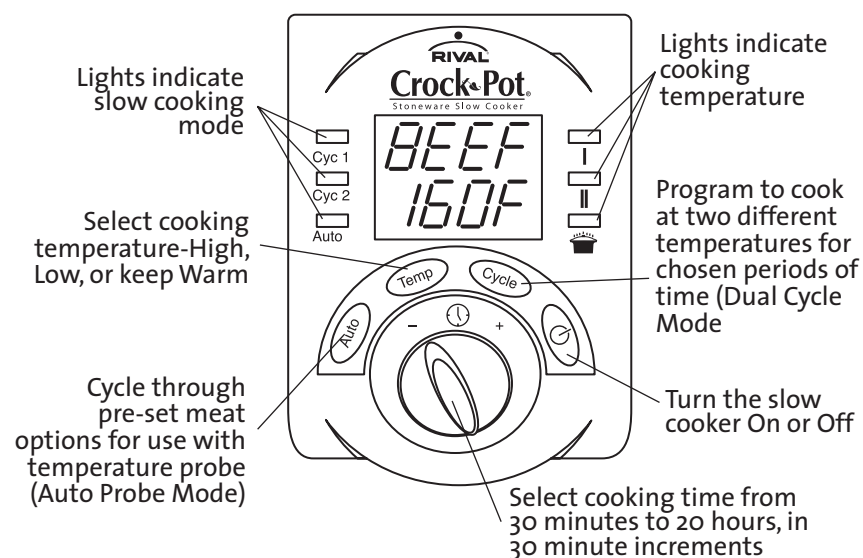
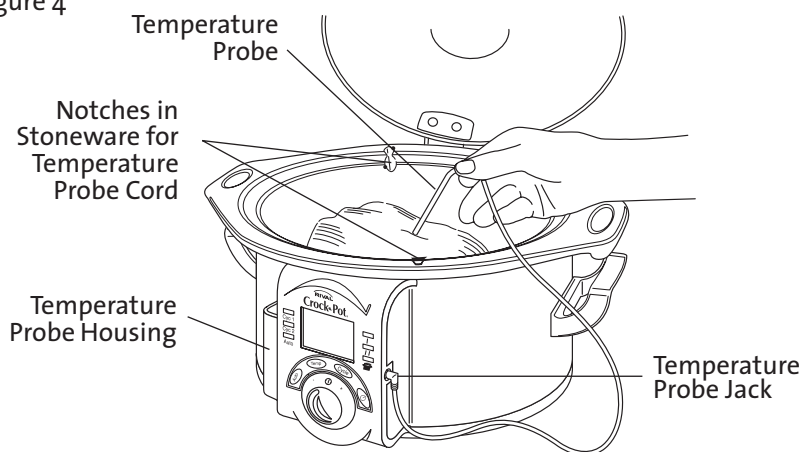


Figure 4



Auto Cook Mode

The Auto Cook Mode cooks your meal based on both temperature and time settings; your meal is done when it has reached the safe internal temperature and then has simmered to reach the optimal taste. The pre-set meat options and digital thermometer ensure perfect results, regardless of the size or cut of your meat, and the Smart-Set™ slow cooker automatically switches to the WARM setting so that your meal is always warm and ready to serve. Use this mode when taste is your top concern, as it was designed to produce optimal results every time.

1. Place the stoneware into the heating base.
2. Prepare your ingredients and place them into the stoneware.
3. Plug the temperature probe cord into the temperature probe jack on the heating base. (See Figure 4)
4. Insert the temperature probe into the thickest piece of meat or center of dish. Attach the lid to the heating base, allowing the temperature probe cord to set in the notch of the stoneware, under the closed lid. (See Figure 4)
NOTE: If the temperature probe cord is pulled out of the temperature probe jack while the unit is plugged into an electrical outlet, the slow cooker will beep and display PROB OUT until the temperature probe cord is plugged back into the temperature probe jack.
5. Plug the heating base into a standard outlet.
6. Press the AUTO button to cycle through and select BEEF, POUL (poultry), PRK1 (bone-in pork), PRK2 (boneless pork), CHIL (chili), or STEW.
7. Press the TEMP button to select HIGH (II) or LOW (I).
8. Press the START/STOP (⏻) button to start cooking. The upper display shows the AUTO selection, the lower display shows the internal temperature of the food, and the corresponding temperature light illuminates. The lower display will reflect the internal temperature, as it changes.
9. When the internal temperature of the meat reaches the safe temperature, the slow cooker beeps once, the upper display shows "SIMR," and the lower display shows the additional cook time* (see chart on page 17) and then starts to count down. At this point, the food is simmering until it reaches its optimal taste.
10. When the cook time expires, the slow cooker beeps twice, and the temperature shifts to WARM (🍲). The upper display shows WARM (🍲) and the lower display is off.

Auto Cook Mode (cont.)

11. To change any settings after you have already pressed the START/STOP (⏻) button, you must make your new selections and press the START/STOP (⏻) button so that the slow cooker recognizes the new settings.
12. Press the START/STOP (⏻) button to turn off the slow cooker, then unplug it from the outlet.

Important Information about the Temperature Probe

- Clean the temperature probe and the temperature probe housing with hot, soapy water before and after each use.
- Place the temperature probe into the thickest part of the meat, roast, or food before you program in the Auto Probe Mode cooking cycle.
- Insert the temperature probe into the thickest part of the food so that it is not touching any bone or fat.
- Leave the temperature probe in the food throughout the cooking cycle.
- Be careful when removing the temperature probe from the food; the temperature probe is HOT!

Digital Timer Mode

The Digital Timer Mode allows you to set a time and temperature at which your meal will cook, anytime from 30 minutes to 20 hours (in half-hour increments), and follow along as the digital display counts down the remaining cook time. When it's done cooking, the Smart-Set™ slow cooker automatically switches to the WARM setting so that your meal stays warm until you're ready to serve it. The Digital Timer Mode is great for easy meal planning, as it requires no supervision and tells you exactly when your meal will be ready. It is ideal for recipes that call for one constant temperature throughout the entire cook time.

1. Place the stoneware into the heating base.
2. Prepare your ingredients and place them into the stoneware.
3. Attach the lid to the heating base, and plug the heating base into a standard outlet.
4. Press the TEMP button to select LOW (I) or HIGH (II). The temperature light that you select flashes. Refer to the "Converting Your Recipes" section for information on temperature settings.
5. Turn the SET TIME (⌚) dial to select the amount of time you want to cook at the selected temperature. The temperature light illuminates and the time flashes in the upper display.
6. Press the START/STOP (⏻) button to start cooking. The amount of time that you dialed shows in the upper display and starts counting down and the corresponding temperature light remains illuminated. When the selected time expires, the slow cooker beeps twice and switches to the WARM setting. WARM (🔥) shows in the upper display, the WARM (🔥) light illuminates, and the temperature light goes off.
7. Press the START/STOP (⏻) button to turn off the slow cooker, then unplug it from the outlet.

Dual-Cycle Mode with Digital Timer

The Dual-Cycle Mode operates the same way as the Digital Timer Mode, but it takes things one step further! This mode allows you to set your slow cooker to cook at one temperature for a specified time and then automatically switches over to another temperature for additional time before switching to the WARM setting. You can customize recipes without being present, giving you greater control over the cooking process.

1. Place the stoneware into the heating base.
2. Prepare your ingredients and place them into the stoneware.
3. Attach the lid to the heating base, and plug the heating base into a standard outlet.
4. Press the TEMP button to select LOW (I) or HIGH (II). The temperature light that you select flashes. Refer to the “Converting Your Recipes” section for information on temperature settings.
5. Turn the SET TIME (⌚) dial to select the amount of time you want to cook at the selected temperature. The time flashes in the upper display and the temperature light illuminates.
6. Press the CYCLE button and the time in the upper display stops flashing and dims and the other temperature light flashes.
7. Turn the SET TIME (⌚) dial to select the amount of time you want to cook at the 2nd temperature. The time flashes in the lower display and the 2nd temperature light illuminates.
8. Press the START/STOP (⏻) button to start cooking. The time in the lower display stops flashing and dims, the first temperature light illuminates, the upper display brightens and starts to countdown, and the second temperature light goes off. When slow cooker has run for the selected time on CYCLE 1, the slow cooker beeps once and switches to the CYCLE 2 program for the selected time. Once CYCLE 2 has run for the selected time, the slow cooker beeps twice and switches to the WARM (🍲) setting. The slow cooker remains on WARM (🍲) until you turn the slow cooker off.
9. To change any settings after you have already pressed the START/STOP (⏻) button, you must make your new selections and press the START/STOP (⏻) button so that the slow cooker recognizes the new settings.
10. Press the START/STOP (⏻) button to turn off the slow cooker, then unplug it from the outlet.

Manual Mode

Using the Manual Mode, you simply set a temperature and the slow cooker cooks at that temperature until you either switch it to another temperature or turn it off. You may want to use this mode if you are unsure of how long you want to cook your meal, or if you have some extra time to linger about the kitchen and want to more closely supervise the cooking.

1. Place the stoneware into the heating base.
2. Prepare your ingredients and place them into the stoneware.
3. Attach the lid to the stoneware, and plug the heating base into a standard outlet.
4. Press the TEMP button to select LOW (I) or HIGH (II). The temperature that you select flashes in the upper display. Refer to the “Converting Your Recipes” section for information on temperature settings.
WARM is ONLY for keeping hot, already cooked food at the perfect serving temperature until you are ready to eat. DO NOT cook on the WARM (🍲) setting.
5. Press the START/STOP (⏻) button to start cooking. The cooking temperature that you selected shows in the upper display and the corresponding temperature light illuminates.
6. To change any settings after you have already pressed the START/STOP (⏻) button, you must make your new selections and press the START/STOP (⏻) button so that the slow cooker recognizes the new settings.
7. Press the START/STOP (⏻) button to turn off the slow cooker, then unplug it from the outlet.

Usage Notes

- If there is a power outage, when the power is restored the display and lights blink. All slow cooker settings have been cleared and must be reset. However, the food may be unsafe to eat. If you are unaware of how long the power was out, we suggest you discard the food.
- For recipes that require a range of times, select the time closest to the setting on your slow cooker. For instance, to cook a recipe calling for a cooking time of 7 to 9 hours on LOW (I), set your slow cooker to 8 hours.
- To avoid over- or under-cooking, always fill the stoneware $\frac{1}{2}$ to $\frac{3}{4}$ full to conform to recommended cook times (with the exception of certain cakes and custards, and as guided otherwise in our slow cooker recipes). Do not overfill the stoneware.
- Always cook with the lid on for the recommended time. Do not remove the lid during the first two hours of cooking.
- Always wear oven mitts when handling the lid.
- Unplug when cooking is done and before cleaning.
- Do not store foods in the slow cooker stoneware.
- Do not reheat foods in your slow cooker.
- Removable stoneware is ovenproof and microwave safe. Do not use removable stoneware on gas or electric burner or under broiler. Refer to chart below.

PART	DISHWASHER SAFE	OVEN SAFE	MICROWAVE SAFE	STOVETOP SAFE
Heating Base	No	No	No	No
Stoneware	Yes	Yes	Yes	No
Lid	Yes	No	No	No
Temperature Probe	No	No	No	No
Temperature Probe Housing	Yes	No	No	No

E12

CARE AND CLEANING

Stoneware and Lid

- ALWAYS turn off your slow cooker and unplug it from the electrical outlet before cleaning.
- The removable stoneware and lid go safely into the dishwasher, or may be washed in hot, soapy water. Do not use abrasive cleaning compounds; a cloth, a sponge, or rubber spatula will usually remove the residue. To remove water spots and other stains, use a non-abrasive cleaner or vinegar.
- Use hot water to wash your stoneware right after cooking. Do not add cold water if the stoneware is hot. As with any fine ceramic, the stoneware will not withstand sudden temperature changes and could crack.
- If the stoneware has been preheated or is hot to the touch, do not add cold foods. Do not preheat your slow cooker unless specified in the recipe. The stoneware should be at room temperature when adding hot or cold foods.

Heating Base

- The outside of the heating base may be cleaned with a soft cloth and warm soapy water. Wipe dry. Do not use abrasive cleaners.
CAUTION: Never immerse the heating base in water or other liquid.

Temperature Probe and Housing

- The temperature probe can be washed in warm, soapy water and wiped dry.
- The temperature probe housing is removable for cleaning. Simply slide housing up to remove.
- The housing is dishwasher safe (top rack only), or can be washed in warm, soapy water and wiped dry.

E13

Cooking Hints and Tips

Pasta and Rice

- If you are converting a recipe that calls for uncooked noodles, macaroni, or pasta, cook them on the stovetop just until slightly tender before adding to slow cooker.
- If you are converting a recipe that calls for cooked rice, stir in raw rice with other ingredients; add $\frac{1}{4}$ cup extra liquid per $\frac{1}{4}$ cup of raw rice. Use long grain converted rice for best results in all-day cooking.

Beans

- Beans must be softened completely before combining with sugar and/or acidic foods. Sugar and acid have a hardening effect on beans and will prevent softening.
- Dried beans, especially red kidney beans, should be boiled before adding to a recipe. Cover the beans with three times their volume of unsalted water and bring to a boil. Boil 10 minutes, reduce heat, cover and allow to simmer $1\frac{1}{2}$ hours or until beans are tender. Soaking in water, if desired, should be completed before boiling. Discard water after soaking or boiling.
- Fully cooked canned beans may be used as a substitute for dried beans.

Vegetables

- Many vegetables benefit from slow cook times and low temperatures and are able to develop their full flavor. They tend not to overcook in your slow cooker as they might in your oven or on your stovetop.
- When cooking recipes with vegetables and meat, place the vegetables in the stoneware before the meat. Vegetables usually cook slower than meat in the slow cooker.
- Place vegetables near the sides or bottom of the stoneware to facilitate cooking. Stir in chopped or sliced vegetables with other ingredients.
- Because eggplant has a very strong flavor, you should parboil or sauté the eggplant before adding it to the slow cooker.

Liquids

- It is not necessary to use more than $\frac{1}{2}$ to 1 cup liquid in most instances since juices in meats and vegetables are retained more in slow cooking than in conventional cooking. When converting conventional cooking recipes to slow cooking recipes, use about half of the recommended amount of liquids, except in recipes that contain uncooked rice or pasta (see previous page).

Milk

- Milk, cream, and sour cream break down during extended cooking. When possible, add during last fifteen minutes to half hour of cooking, until just heated through.
- Condensed soups may be substituted for milk and can cook for extended times.

Soups

- Some soup recipes call for 2 to 3 quarts of water. Add other soup ingredients to the slow cooker first; then add water only to cover. If thinner soup is desired, add more liquid at serving time.
- If milk-based soup recipes have no other liquid for initial cooking, add 1 or 2 cups water. Since milk, cream or sour cream will break down if heated above boiling point, carefully stir them in at end of cooking cycle.

Meats

- For meats, trim fats, wipe or rinse well, and pat dry with paper towels. Browning meat in a separate skillet or broiler allows fat to be drained off before slow cooking and also adds greater depth of flavor to dish.
- Larger roasts, chickens, and hams are the perfect size for your slow cooker. Select boneless roasts or hams ranging from 2 to 4 pounds for a 4-quart slow cooker, 2.5 to 5 pounds for a 5-quart slow cooker, and 3 to 6 pounds for a 6-quart slow cooker.
- Bone-in cuts like ribs, loin cuts, or turkey pieces fit easily and cook well in your slow cooker. Cook turkey legs, thighs, and breasts, up to 4 pounds for 4-quart slow cookers, 5 pounds for 5-quart slow cookers, and 6 pounds for 6-quart slow cookers.
- If you select a smaller roast, alter the amount of vegetables or potatoes so that the stoneware is $\frac{1}{2}$ to $\frac{3}{4}$ full.

- Always remember, the size of the meat and the recommended cook time are just estimates. The exact weight of a roast that can be cooked in the slow cooker will depend upon the specific cut, meat configuration, and bone structure.
- Cut meat into smaller pieces when cooking with precooked beans, fruit, or lighter vegetables such as mushrooms, diced onion, eggplant, or finely minced vegetables. This will enable food to cook at the same rate.
- Lean meats such as chicken or pork tenderloin will cook faster than meats with more connective tissue and fat such as beef chuck or pork shoulder.
- Meat should be positioned so that it rests in the stoneware and does not touch the lid.
- If you are cooking frozen meats (such as roasts or chickens), you must first add at least 1 cup of warm liquid. The liquid will act as a “cushion” to prevent sudden temperature changes. For most recipes containing cubed frozen meat, cook meats an additional 4 hours on LOW or 2 hours on HIGH. For large cuts of frozen meat, it may take much longer to defrost and tenderize.

Fish

- Fish cooks quickly and should be added at the end of the cooking cycle, during last fifteen minutes to hour of cooking.

Specialty Dishes

- Specialty dishes, such as stuffed chops or steak rolls, stuffed cabbage leaves, stuffed peppers, or baked apples can be arranged in a single layer so they cook evenly and serve attractively.

Visit the Crock-Pot® website at www.crockpot.com, for additional Hints and Tips, Questions and Answers, and Recipes.

Auto Program Chart

The auto programs are designed to give you the greatest ease in programming for classic slow cooker dishes. The Main Courses chapter offers several recipes for each program (pg. 34). The chart on the following page indicates the total cook time for each Auto Cook program. The program will automatically switch to WARM once the cycle has been completed.

MEAT CUT	DISPLAY	MEAT WEIGHT	TOTAL COOK TIME LOW	TOTAL COOK TIME HIGH
Pork 1 (bone-in)	PRK1	6-7 pounds	9½ hours	7½ hours
Pork 2 (boneless)	PRK2	3-4 pounds	6 hours	5 hours
Poultry	POUL	6 pounds	7½ hours	6¼ hours
Beef	BEEF	3-4 pounds	8 hours	5¾ hours
Stew	STEW	3 pounds	6 hours	4¾ hours
Chili	CHIL	1-3 pounds	6½ hours	6 hours

Converting Your Recipes

When setting your slow cooker, you always have the flexibility to cook faster or slower by choosing the HIGH or LOW setting. When converting your own recipes, refer to the chart below which offers suggested cook times for typical slow cooker dishes. Remember, this is just a guide. Specific times are dependant upon quantity, cut of meat, and additional liquids and ingredients. Normally, it takes approximately 3-4 hours on HIGH and approximately 7-8 hours on LOW for many slow cooked meat dishes to reach the simmer point. After that time, most slow cooked meats just begin to tenderize and may take an additional time to become a “fall-off-the-bone” consistency.

LOW	HIGH
7 hours	3 hours
8 hours	4 hours
9 hours	5 hours
10 hours	6 hours
11 hours	7 hours
12 hours	8 hours

Smart-Set™ Recipes

Brunch and Beverages E21

<i>Breakfast Berry Bread Pudding</i>	E21
<i>Bacon and Eggs Primavera</i>	E22
<i>Fruity Granola Oatmeal</i>	E23
<i>Fruit Medley Compote</i>	E24
<i>Spiced Chai Tea</i>	E25
<i>Mulled Cider</i>	E25

Appetizers and Side Dishes E26

<i>Asian-Style Ribs</i>	E26
<i>Stuffed Mushrooms</i>	E27
<i>Teriyaki Chicken Wings</i>	E28
<i>Sesame Pork Fire Bites</i>	E28
<i>Wild Rice with Fruit and Nuts</i>	E29
<i>Butternut Squash Risotto</i>	E30
<i>Asparagus in Parchment Paper Package</i>	E31
<i>Quinoa with Mixed Berries</i>	E32
<i>Garlic Mashed Potatoes</i>	E32
<i>Creamy Parmesan Polenta</i>	E33

Main Courses..... E34

Poultry E34

<i>Mediterranean Memories</i>	E34
<i>Three Bean Turkey Chili</i>	E35
<i>Chicken Pot Au Feu</i>	E36
<i>Creamy Roasted Chicken and Prosciutto</i>	E37
<i>Burgundy Braised Chicken</i>	E38
<i>Spinach and Feta Stuffed Chicken Breasts</i>	E40
<i>Chicken and Artichokes</i>	E41
<i>Chicken with Shallots and White Wine</i>	E42
<i>Curry Chicken with Peaches and Raisins</i>	E43

Pork and Sausage..... E45

<i>Pulled Pork Sandwiches</i>	E45
<i>Easy Pork Burritos</i>	E46
<i>Sweet and Spicy Pork Picadillo</i>	E47
<i>Pork Tenderloin with Figs, Apricots, and Shitake Mushrooms</i>	E48
<i>Smothered Autumn Pork Roast</i>	E49
<i>Boneless Pork Roast with Garlic and Rosemary</i>	E50
<i>Country-Style Pork Ribs</i>	E51
<i>Baby Back Ribs</i>	E52
<i>Beer-Braised Kielbasa</i>	E52
<i>Sausage and Pepper Submarine Sandwiches</i>	E53

Beef E54

<i>Maple Whiskey Glazed Beef Brisket</i>	E54
<i>Carne Relleno</i>	E55
<i>Hearty Beef Short Ribs</i>	E56
<i>Beef Ale Stew with Caramelized Onions and Fennel</i>	E57
<i>Winter Comfort Pot Roast</i>	E58
<i>Simple Korean Flank Steak</i>	E59
<i>Six Pepper Chili</i>	E60
<i>Beef, Bacon, and Mushroom Stew</i>	E61

Vegetarian E63

<i>Chunky Vegetarian Chili</i>	E63
<i>Mushroom Barley Stew</i>	E64
<i>Easy Pizza or Pasta Sauce</i>	E65

Soups and Chowders.....E66

<i>Black Bean Chipotle Soup</i>	E66
<i>Curried Butternut Squash Soup</i>	E67
<i>Chicken Tortilla Soup</i>	E68
<i>Beggar's Chowder</i>	E69
<i>Shrimp Thai Soup with Lime and Chilies</i>	E70
<i>New England Clam Chowder</i>	E71
<i>Split Pea Soup</i>	E72

Holidays and Special Occasions.....E72

<i>Stuffed Artichokes</i>	E72
<i>Duck with Port, Mushroom, and Tart Cherry Glaze</i>	E73
<i>Home-Style Cornbread</i>	E74
<i>Corned Beef and Cabbage</i>	E75
<i>Stuffing with Apples, Canadian Bacon, and Toasted Pecans</i>	E76
<i>Citrus Spark Salmon Steaks</i>	E77
<i>Holiday Ham with Ginger and Bourbon</i>	E78
<i>Turkey with Pecan-Cherry Stuffing</i>	E78
<i>Sweet Potato Casserole with Gingersnap Topping</i>	E79
<i>Lamb Stew with Sherry and Thyme</i>	E80
<i>Scalloped Potatoes and Ham</i>	E81

Desserts..... E82

<i>Crème Brûlée</i>	E82
<i>Chocolate Polenta Cake</i>	E83
<i>Apple Butter</i>	E84
<i>Orange Soufflé</i>	E85
<i>Cinnamon Ginger Poached Pears</i>	E86

Brunch and Beverages

Breakfast Berry Bread Pudding

1 tablespoon butter
8 cups 1-inch cubed bread, preferably dense loaf of Italian, sourdough,
or peasant loaf
3 cups sliced, fresh strawberries*
2 cups fresh blueberries*
7 large eggs, beaten
5-7 cups milk (1% or greater) - use 5 if cooking on Low
2 tablespoons vanilla extract
1½ cups brown sugar (increase to 2 cups if making bread pudding for dessert)
2½ tablespoons cinnamon

**If you are making this dish during a season when fresh berries are not available, a combination of mixed unsweetened frozen berries can be substituted (strawberries, raspberries, blackberries and blueberries). Thaw berries before using or extend the cooking time slightly if using berries directly from the freezer.*

1. Butter the inside of the stoneware.
2. Place the bread and berries into the stoneware and toss to combine.
3. Combine the remainder of the ingredients in a separate bowl and whisk to blend.
4. Pour over bread and berries, and toss to blend.
5. Cover; cook on Low for 5-6 hours or on High for 3 hours, until the bread has set in the middle.
6. Remove from heat. Allow to cool and set prior to serving (this will allow the bread to reabsorb to liquid from the berries, etc.).

Serves 10-12



Bacon and Eggs Primavera

Non-stick cooking spray
3-4 cups diced crusty bread ($\frac{3}{4}$ -1 inch dices)
 $\frac{1}{2}$ pound bacon, cut into $\frac{1}{2}$ -inch dices
2 cups sliced fresh mushrooms (about 6-ounces of whole mushrooms), such as Crimini or Baby Bellas
2 cups sliced fresh spinach, stems removed
8 eggs
 $\frac{1}{2}$ cup milk
 $\frac{3}{4}$ cup roasted red peppers, drained and chopped
1 cup shredded cheese, such as Cheddar or Monterey Jack
Salt and pepper

1. Spray the stoneware with non-stick spray.
2. Pour bread into bottom of stoneware.
3. Heat a sauté pan on medium heat and cook bacon until crispy. Remove all but 1 tablespoon of renderings. Add mushrooms and spinach and toss to coat. Cook for 1-2 minutes, until spinach wilts.
4. In a separate bowl, beat eggs and milk. Add remaining ingredients and blend. Pour into stoneware.
5. Cover; cook on Low for $3\frac{1}{2}$ -4 hours or on High for $2\frac{1}{2}$ hours, until eggs are firm in center but still moist.
6. Season with salt and pepper, and serve.

Serves 6-8

Fruity Granola Oatmeal



Nonstick cooking spray or butter for coating stoneware
 $\frac{1}{4}$ cup old fashioned oats (not quick cooking)
1 cup plain, cinnamon, or apple granola
2 cups milk, plus more if desired for serving
1 cup water
 $\frac{1}{4}$ teaspoon salt
1 teaspoon cinnamon
 $\frac{1}{4}$ cup apples, peeled, cored, and chopped into 1-inch cubes
 $\frac{1}{4}$ cup pears, peeled, cored, and chopped into 1-inch cubes
 $\frac{1}{4}$ cup walnuts, toasted
 $\frac{1}{4}$ cup maple syrup or brown sugar (optional)

1. Grease stoneware with cooking spray or butter.
2. Add oats, granola, milk, water, salt, cinnamon, and fruit to stoneware. Gently stir ingredients.
3. Cover; cook on High for 2 hours and then on Low for 1-2 hours.
4. On a large baking sheet, toast walnuts on the top rack of the broiler for about 4 minutes. Turn frequently.
5. Mix walnuts into stoneware.
6. Spoon oatmeal into individual bowls and serve hot. Add additional milk, maple syrup and brown sugar if desired.

Serves 6-8



This recipe is ideal for using the Auto Cook Mode. Refer to pg. 7 for instructions.

E22



This recipe is ideal for using the Dual Cycle Mode. Refer to pg. 10 for instructions.



This recipe is ideal for using the Auto Cook Mode. Refer to pg. 7 for instructions.

E23



This recipe is ideal for using the Dual Cycle Mode. Refer to pg. 10 for instructions.

Fruit Medley Compote

1 cup water
1 cup sugar or to desired sweetness
½ cup brown sugar
2 pounds fresh rhubarb stalks, washed and cut into 2-inch cubes
1 quart fresh strawberries, rinsed, hulled, and halved
2 cups fresh raspberries
2 cups fresh blueberries
2 teaspoons vanilla
1½ teaspoons ground cinnamon
¼ teaspoon ground nutmeg

1. Combine water, sugars, and rhubarb in stoneware.
2. Cover; cook on High for 30 minutes.
3. Add strawberries, raspberries, and blueberries to stoneware.
4. Add vanilla, cinnamon, and nutmeg to fruit. Gently stir fruit once or twice to evenly distribute and return cover to stoneware.
5. Remove stoneware from heating base, and allow mixture to cool without stirring. Compote can be served warm, at room temperature, or refrigerated. If not using immediately, place in storage bowl, cover, and refrigerate. Compote can remain in refrigerator for up to four days.

Serving suggestions: serve on top of French toast, waffles, yogurt, ice cream, pound cake, or Fruity Granola Oatmeal. (pg. 23)

Serves 8-10

Spiced Chai Tea

2 quarts water
8 bags black tea
½ - ¾ cup sugar
16 whole cloves
16 whole cardamom seeds, pods removed
5 whole cinnamon sticks
8 slices fresh ginger
1 cup milk

1. Combine water, tea, sugar, cloves, cardamom, cinnamon, and ginger in the stoneware. Cover; cook on Low for 3-5 hours or on High for 2-2½ hours.
2. Strain mixture; discard solids. (May be covered and refrigerated for up to 3 days.)
3. Stir in milk just before serving. Serve warm or chilled.

Serves 16

Mulled Cider



1 gallon apple cider
½ cup brown sugar
15 whole cloves
10 whole allspice berries
5 whole cinnamon sticks

1. Combine all ingredients in the stoneware.
2. Cover; cook on High for 30 minutes and then on Low for up to 5 hours. The longer the spices are left in, the stronger the “mulling.”

Serves 16



This recipe is ideal for using the Auto Cook Mode. Refer to pg. 7 for instructions.

E24



This recipe is ideal for using the Dual Cycle Mode. Refer to pg. 10 for instructions.



This recipe is ideal for using the Auto Cook Mode. Refer to pg. 7 for instructions.

E25



This recipe is ideal for using the Dual Cycle Mode. Refer to pg. 10 for instructions.

Appetizers and Side Dishes

Asian-Style Ribs



2 full racks baby back pork ribs
6 ounces Hoisin sauce
1 ounce fresh ginger
4 ounces of maraschino cherries
4 ounces of rice wine vinegar
Water to cover
Chopped scallions

1. Split each rack of ribs into three sections.
2. Combine all ingredients in stoneware.
3. Cover; cook on Low for 8 to 10 hours or on High for 6 to 8 hours.
4. Garnish with scallions.

Serves 6-8

Stuffed Mushrooms

15-20 large mushrooms, preferably Baby Bellas, cleaned, stems removed and finely chopped
2 tablespoons olive oil
1/2 medium red onion, very finely diced
2 cloves garlic, minced
1/2 pound sausage patties
1 teaspoon salt
1/2 teaspoon ground black pepper
1/4 teaspoon paprika
1/4 cup fresh parsley, finely chopped
4 ounces Gruyere cheese, shredded

1. In a skillet over medium heat, add the oil, onion, garlic, and mushroom stems. Cook for 2-3 minutes, until onion begins to soften.
2. Add the sausage patties and crumble with a wooden spoon. Season with salt, pepper, and paprika, and cook until lightly browned through.
3. Transfer the sausage to a heavy mixing bowl along with the parsley and Gruyere cheese. Stir to combine ingredients and stuff 1 tablespoon of mixture into each cap. Place into the stoneware, cover and cook on High for 2 hours.

Serves 6-10



This recipe is ideal for using the Auto Cook Mode. Refer to pg. 7 for instructions.

E26



This recipe is ideal for using the Dual Cycle Mode. Refer to pg. 10 for instructions.



This recipe is ideal for using the Auto Cook Mode. Refer to pg. 7 for instructions.

E27



This recipe is ideal for using the Dual Cycle Mode. Refer to pg. 10 for instructions.

Teriyaki Chicken Wings

3-4 pounds chicken wings
1/4 cup soy sauce
1/4 cup sherry
1/4 cup honey
1 tablespoon Hoisin sauce
1 tablespoon orange juice
2 cloves garlic, minced
1 red chili pepper, minced (optional)

1. Place the wings in the stoneware. Combine remaining ingredients in a bowl and pour over the wings.
2. Cover; cook on Low for 3-3 1/2 hours or on High for 1 1/2-2 hours.

Serves 6-8

Sesame Pork Fire Bites

3 pounds pork loin, cut into 3/4-inch cubes
1 4-ounce can sliced green chilies, drained
1/2 cup soy sauce
2 tablespoons cornstarch
1/4 cup brown sugar, packed
1/4 cup apple juice
2 tablespoon rice vinegar
1 tablespoon sesame seeds
2 cloves garlic, minced
1/4 teaspoon ground ginger

1. With a small, sharp knife, make a slit into a pork cube and stuff it with a sliced green chili. Insert a toothpick through the top to hold the chili in place. Repeat with remaining pork and place in bottom of the stoneware.
2. In a bowl, dissolve the cornstarch into the soy sauce. Stir in the remaining ingredients, and pour over the pork. Cover; cook on Low for 3-3 1/2 hours or on High for 1 1/2-2 hours.

Serves 6-8

Wild Rice with Fruit and Nuts

2 cups wild rice, rinsed*
5-6 cups chicken broth
1 cup orange juice
2 tablespoons butter, melted
1/2 cup dried cranberries
1/2 cup raisins, chopped
1/2 cup chopped dried apricots
1/2 cup almond slivers, toasted
1 teaspoon cumin
2 scallions, thinly sliced
2-3 tablespoons chopped fresh parsley
Salt and pepper

**If using a wild rice blended with other types of rice, cooking time may be shortened.*

1. Combine wild rice, cranberries, raisins, apricots and almonds in the stoneware.
2. Combine broth, orange juice, butter and cumin in medium bowl. Pour mixture over rice, and stir to mix.
3. Cover; cook on Low for 7 hours or on High for 2 1/2-3 hours. Stir once, adding more hot broth if necessary.
4. When rice is soft to the bite, add scallions and parsley. Adjust seasonings. Cook for 10 additional minutes and serve.

Serves 6-8



This recipe is ideal for using the Auto Cook Mode. Refer to pg. 7 for instructions.

E28



This recipe is ideal for using the Dual Cycle Mode. Refer to pg. 10 for instructions.



This recipe is ideal for using the Auto Cook Mode. Refer to pg. 7 for instructions.

E29



This recipe is ideal for using the Dual Cycle Mode. Refer to pg. 10 for instructions.

Butternut Squash Risotto

4 tablespoons extra virgin olive oil
4 tablespoons unsalted butter
1½ cups Vidalia onion, chopped
2½ cups risotto rice such as superfino Arborio
3 cups butternut squash, peeled, seeded, and cut into 1-inch cubes
6 cups chicken broth
2 tablespoons fresh basil, chopped
¼ cup Pecorino Romano cheese plus extra for sprinkling on top
Salt and pepper

1. In skillet, over medium heat, add oil and butter, and sauté until tender, approximately 6-8 minutes.
2. Pour rice on top of onions and, with a wooden spoon, coat grains with butter and oil mixture. Cook and occasionally stir for about 4 minutes.
3. Transfer rice to stoneware. Add squash and broth and gently stir ingredients. Cover; cook on High for 2-3 hours.
4. When serving, top with basil and additional cheese if desired. Season to taste with salt and freshly cracked black pepper.

Serves 10-12

Asparagus in Parchment Paper Package

Parchment paper
1 bunch asparagus, bottom ends trimmed
Salt and pepper
Pinch sugar
Lemon zest
Drizzle of extra virgin olive oil

1. Cut parchment paper into large heart shape. Place asparagus in center of one side. Season with salt and pepper. Sprinkle with sugar and lemon zest, and drizzle with olive oil.
2. Turn heart half over asparagus, folding along center. Turn, crimp, and fold edges to seal.
3. Place in stoneware. Cover; cook on High for 1 hour, checking doneness after ½ hour, until asparagus spears are bright green and just tender. Open pouch and serve immediately.

Serves 4



This recipe is ideal for using the Auto Cook Mode. Refer to pg. 7 for instructions.

E30



This recipe is ideal for using the Dual Cycle Mode. Refer to pg. 10 for instructions.



This recipe is ideal for using the Auto Cook Mode. Refer to pg. 7 for instructions.

E31



This recipe is ideal for using the Dual Cycle Mode. Refer to pg. 10 for instructions.

Quinoa with Mixed Berries

3 cups imported quinoa
4 cups orange juice
¼ brown sugar
2 tablespoon butter
Pinch of salt
½ cup dried cranberries
½ cup dried blueberries
1 teaspoon cinnamon
1 teaspoon orange zest
½ cup macadamia nuts, toasted and coarsely chopped

1. Place quinoa in large bowl, fill with cold water, and massage between fingers. Drain in fine strainer, and repeat this process three more times or until there is no foam.
2. Transfer quinoa to stoneware; add juice, brown sugar, butter, and salt. Gently swirl to mix ingredients. Cover; cook on High for 1½ - 2 hours.
3. Before serving, mix in dried fruit, cinnamon, zest, and nuts.

Serves 8-10

Garlic Mashed Potatoes

4 pounds potatoes, cut
4-6 cloves garlic, peeled
3 cups chicken broth, vegetable broth or water
1 stick butter, cut in small pieces
½ cup heavy cream
Salt and pepper to taste

1. Place potatoes and garlic in stoneware. Pour enough broth in stoneware to cover potatoes. Cover; cook on High for 4-5 hours or until potatoes are tender.
2. Drain broth and add butter and cream and mash with a potato masher until desired consistency.
3. Season with salt and pepper and serve warm.

Serves 8-10

Creamy Parmesan Polenta

9 cups chicken broth or water
4 tablespoons butter
1 bay leaf
3 cups instant polenta
3 cups grated parmesan

1. In a pot on the stovetop, bring the chicken broth or water to a boil with the butter and bay leaf.
2. Whisk in the polenta in a steady stream to prevent lumps. Whisk in the grated cheese to fully combine.
3. Turn the polenta out into the stoneware, cover, and cook on Low for 25-30 minutes.

Serves 6-8



This recipe is ideal for using the Auto Cook Mode. Refer to pg. 7 for instructions.

E32



This recipe is ideal for using the Dual Cycle Mode. Refer to pg. 10 for instructions.



This recipe is ideal for using the Auto Cook Mode. Refer to pg. 7 for instructions.

E33



This recipe is ideal for using the Dual Cycle Mode. Refer to pg. 10 for instructions.

Main Courses

Poultry:

Mediterranean Memories



Non-stick cooking spray

1 bulb fennel (about 1-1¹/₄ pounds), trimmed, quartered, and sliced; reserve some 'fennel fronds' for garnish, if desired

1 large onion, chopped

2 carrots, finely chopped

2 garlic cloves, minced

1 teaspoon salt - divided usage

1 teaspoon coarsely ground black pepper - divided usage

8 boneless, skinless chicken thighs, all visible fat removed (about 1¹/₂ pounds)

2 14-ounce cans chicken broth

1 cup orzo

1 6-ounce bag of baby spinach (about 4 cups)

1/2 cup coarsely shredded Asiago cheese

1. Lightly spray stoneware with cooking spray. Place fennel, onion, carrot, and garlic in stoneware; stir in about half of the salt and pepper; spread mixture evenly over bottom of stoneware.
2. With kitchen shears or knife, cut each chicken thigh into 4-6 pieces. Season chicken chunks with remaining salt and pepper. Place chicken atop fennel/onion mixture. Pour chicken broth over top.
3. Cover; cook on High for 1 hour and then on Low for 2 hours.
4. Stir in orzo; cover and cook on Low for 1¹/₂ hours more. Check to see if orzo and chicken are tender; if necessary cook about 30 minutes longer.
5. Place spinach atop chicken/orzo mixture; do not stir. Cover and continue to cook on Low for 10 to 15 minutes. Turn off heat. Stir spinach into chicken/orzo mixture. If desired, garnish with some of the reserved feathery fennel fronds. Top each serving with Asiago cheese.

Serves 6-8

Three Bean Turkey Chili



Olive oil

1 pound ground turkey

1 small onion, chopped

1 28-ounce can diced tomatoes, undrained

1 15-ounce can garbanzo beans, rinsed and drained

1 15-ounce can kidney beans, rinsed and drained

1 15-ounce can black beans, rinsed and drained

1 8-ounce can tomato sauce

1 4-ounce can chopped mild green chilies

1-2 tablespoons chili powder

1. Cook turkey and onion in medium skillet coated with olive oil over medium-high heat, stirring to break up meat, until turkey is no longer pink.
2. Drain; place turkey mixture into the stoneware.
3. Add tomatoes with juice, beans, tomato sauce, chilies, and chili powder; mix well.
4. Cover; cook on Low for 6-8 hours or on High for 5-7 hours.

Serves 6-8



This recipe is ideal for using the Auto Cook Mode. Refer to pg. 7 for instructions.

E34



This recipe is ideal for using the Dual Cycle Mode. Refer to pg. 10 for instructions.



This recipe is ideal for using the Auto Cook Mode. Refer to pg. 7 for instructions.

E35



This recipe is ideal for using the Dual Cycle Mode. Refer to pg. 10 for instructions.

Chicken Pot Au Feu



1 16-ounce bag baby carrots
1 large onion, cut in quarters
4 medium celery stalks, cut into 1-inch pieces
4 new potatoes, quartered
2 3-pound whole chickens or one 16-pound chicken
1 10-ounce box of mushrooms, cleaned
1½ teaspoons salt
1 teaspoon freshly ground black pepper
½ cup water, white wine or chicken broth
3 sprigs fresh thyme

1. Place the carrots, onion, celery, and potatoes in the bottom of the stoneware.
2. Add the whole chicken(s) and top with the remaining ingredients.
3. Cover; cook on Low for 8-10 hours or on High for 4½-6½ hours.
4. Remove the chicken and vegetables, and arrange attractively on a platter before serving.

Serves 6-8

Creamy Roasted Chicken and Prosciutto



2½ pounds whole chicken, seasoned with salt and pepper
1 small onion, finely chopped
5 ounces prosciutto or bacon, diced
½ cup dry white wine
1 10-ounce package frozen peas
½ cup heavy cream
1½ tablespoons cornstarch
2 tablespoons water
4 cups bowtie pasta, cooked al dente

1. Combine the chicken, onion, prosciutto, and wine in the stoneware. Cover; cook on Low for 7-9 hours or on High for 4½-6½ hours.
2. In the last 30 minutes of cooking, add the frozen peas and the heavy cream to the liquid in the stoneware.
3. After cooking, remove the chicken from the stoneware and carve the meat in slices.
4. Combine the cornstarch and water and add to the liquid in the slow cooker to thicken the sauce.
5. To serve, spoon the pasta onto individual plates, place the chicken over the pasta, and top each portion with sauce.

Serves 6



This recipe is ideal for using the Auto Cook Mode. Refer to pg. 7 for instructions.

E36



This recipe is ideal for using the Dual Cycle Mode. Refer to pg. 10 for instructions.



This recipe is ideal for using the Auto Cook Mode. Refer to pg. 7 for instructions.

E37



This recipe is ideal for using the Dual Cycle Mode. Refer to pg. 10 for instructions.

Burgundy Braised Chicken



2 whole chickens, 3 pounds each
5 cups red wine
8 strips bacon, cut into 1/2-inch strips
8 sprigs thyme
6 garlic cloves, peeled and sliced thin
4 cups quartered button mushrooms
4 cups thinly sliced onions
2 tablespoons butter
1/3 cup flour
2 cups chicken broth
1 bunch Italian flat leaf parsley, washed, stemmed, and coarsely chopped
Salt and pepper
Creamy Parmesan Polenta (pg. 33)

1. The day before cooking the dish: Quarter the chicken, leaving the breasts on the bone. Separate each leg into thigh and drumstick portions, and cut each breast in half.
2. Add the chicken to a shallow container large enough to accommodate all of the pieces in a single layer. Pour the wine over the chicken and add the thyme and sliced garlic.
3. Cover and marinate in refrigerator overnight.
4. Cook the bacon in a sauté pan until crispy. Remove bacon with a slotted spoon to a plate lined with paper towels, leaving all of the rendered fat in the pan.
5. Add the mushrooms to the pan and sauté until lightly golden brown. Toss the onions into the mushrooms and continue to sauté until they are well caramelized.
6. Reduce the heat to low and melt in the butter and then incorporate the flour. Continue to cook for 5 minutes, then season with salt and pepper and remove from the heat.
7. Remove the chicken from the marinade, season with salt and pepper, and dust the skin sides lightly with flour.

Recipe continued on next page.

Burgundy Braised Chicken (cont.)



8. Sauté the pieces of chicken, skin side down, until golden brown and then add to the slow cooker stoneware.
9. Add the red wine marinade to a sauce pot and slowly bring to a simmer. Simmer for a few minutes, skimming away impurities that rise to the top.
10. Add the chicken broth, caramelized onion, and mushroom mixture to the wine and heat through. Adjust seasoning and then pour over the chicken.
11. Cover the slow cooker and cook on High for 30 minutes.
12. Reduce the temperature setting to Low and cook for 2 more hours.
13. Serve the chicken over Creamy Parmesan Polenta (Pg. 33), spooning sauce over.
14. Garnish with the crisp bacon and parsley.

Serves 4-6



This recipe is ideal for using the Auto Cook Mode. Refer to pg. 7 for instructions.

E38



This recipe is ideal for using the Dual Cycle Mode. Refer to pg. 10 for instructions.



This recipe is ideal for using the Auto Cook Mode. Refer to pg. 7 for instructions.

E39



This recipe is ideal for using the Dual Cycle Mode. Refer to pg. 10 for instructions.

Spinach and Feta Stuffed Chicken Breasts

6 boneless, skinless chicken breasts
8 ounces Feta cheese (drained and dried if necessary)
3 cups chopped fresh spinach (heavy stems removed)
1/2 cup sun-dried tomatoes, drained from oil and chopped (if using dry sun dried tomatoes, soak in warm water for 10-15 minutes, dry and chop)
1/2 cup oil cured olives, pit in*
1 teaspoon minced lemon zest
1 teaspoon dried basil, oregano or mint
1/2 teaspoon garlic powder
1 15-ounce can of diced tomatoes, undrained
Freshly ground black pepper

*If using pitted olives, add to stoneware in the final hour of cooking.

1. Place 1 chicken breast between plastic wrap and, using the back of a skillet or meat tenderizer, pound until about 1/4-inch thin. Repeat with each.
2. In a separate bowl, combine Feta, spinach, sun dried tomatoes, lemon zest, basil (or oregano or mint), garlic powder, and pepper to taste. Mix to combine.
3. Lay "skin" side down on work surface and place approximately 2 tablespoons of feta mixture onto the wide end of the breast. Roll snugly and repeat with each.
4. Place rolled chicken in stoneware, seam down, and top with diced tomatoes and olives.
5. Cover; cook on Low for 3 1/2-4 hours or on High for 2 1/2 hours. Serve each portion topped with a spoonful of tomatoes and olives.

Serves 6

Chicken and Artichokes



3 pounds boneless, skinless chicken thighs
16 ounces fresh mushrooms, sliced
2 12-ounce jars marinated artichoke hearts, drained
8 cloves garlic, peeled and coarsely chopped
1/2 cup white wine (or chicken broth)
Black pepper
1-2 pounds spaghetti, cooked

1. Place chicken, mushrooms, artichokes, garlic, wine and black pepper into stoneware.
2. Cover; cook on Low for 6-8 hours or on High for 5 1/2-6 1/2 hours.
3. Serve over pasta.

Serves 6-8



This recipe is ideal for using the Auto Cook Mode. Refer to pg. 7 for instructions.

E40



This recipe is ideal for using the Dual Cycle Mode. Refer to pg. 10 for instructions.



This recipe is ideal for using the Auto Cook Mode. Refer to pg. 7 for instructions.

E41



This recipe is ideal for using the Dual Cycle Mode. Refer to pg. 10 for instructions.

Chicken with shallots and White Wine

8-10 boneless, skinless chicken thighs, rinsed, dried and seasoned with salt and pepper
4 large Yukon Gold potatoes, cut into $\frac{3}{4}$ - 1 inch cubes
10 ounces Spanish green olives (pit in), drained and rinsed*
12 shallots, skinned and sliced in $\frac{1}{2}$ (across the shallot)
8 sprigs of fresh tarragon or 2 tablespoons dried tarragon
8 cloves of garlic, crushed
 $\frac{3}{4}$ cup white wine
 $\frac{3}{4}$ cup chicken stock
 $1\frac{1}{2}$ tablespoons Dijon mustard
Salt and pepper

**If using pitted olives, add to stoneware in the final hour of cooking.*

1. Add chicken, shallots, olives, and tarragon to stoneware.
2. Combine all remaining ingredients except Dijon mustard. Whisk to blend and pour into stoneware.
3. Cover; cook on Low for 6 hours or on High for 4 hours, turning once or twice if possible to ensure even cooking.
4. Once shallots have softened, transfer chicken, shallots, olives, and potatoes to a serving dish and cover to keep warm.
5. Set slow cooker to High, whisk in the Dijon mustard and continue to cook for 15 minutes, allowing the broth to simmer.
6. Adjust seasoning, pour broth over chicken, shallots, olives, and potatoes and serve.

Serves 4

Curry Chicken with Peaches and Raisins*

8-10 boneless, skinless chicken thighs, rinsed, dried and seasoned with salt and pepper
4 peaches, skinned and sliced into $\frac{1}{4}$ -inch slices, reserving 6 slices for garnish (or 2 cups frozen sliced unsweetened peaches, with 6 slices reserved for garnish)**
 $\frac{2}{3}$ cup raisins, chopped, OR $\frac{2}{3}$ cup currants, whole
2 shallots, thinly sliced
2 tablespoons olive oil
2 tablespoons fresh ginger root, grated
4 cloves of garlic, crushed
1 teaspoon curry
2 teaspoons cumin
1 teaspoon whole cloves
 $\frac{1}{2}$ cup chicken stock
2 tablespoons cider vinegar
 $\frac{1}{2}$ teaspoon cayenne pepper (optional)
Salt and pepper
Lemon juice

**If making this dish during a season that fresh peaches are not available, unsweetened frozen peeled sliced peaches can also be used. Thaw peaches before using or extend the cooking time if using peaches straight from the freezer.*

***To skin a peach, use a peeler OR make an "X" at the bottom of the peach with a knife, submerge the peach into simmering water for 10-20 seconds. Cool under running water or in an ice water bath. When cool enough to handle, use paring knife to peel away skin.*

1. Rinse, dry and season the chicken with salt and pepper.
2. Heat the olive oil in a skillet and add the chicken to lightly brown, about 3 minutes per side.
3. Transfer chicken to stoneware and top with peaches, raisins, (or whole currants) and shallots.

Recipe continued on next page.



This recipe is ideal for using the Auto Cook Mode. Refer to pg. 7 for instructions.

E42



This recipe is ideal for using the Dual Cycle Mode. Refer to pg. 10 for instructions.



This recipe is ideal for using the Auto Cook Mode. Refer to pg. 7 for instructions.

E43



This recipe is ideal for using the Dual Cycle Mode. Refer to pg. 10 for instructions.

Curry Chicken with Peaches and Raisins (cont.)

4. Reserve the remaining 8 slices of peaches tossed with lemon juice to coat and refrigerate.
5. Combine remaining ingredients in a bowl, whisk to combine and pour over chicken.
6. Cook on Low for 5-7 hours or on High for 3-5 hours.
7. Remove chicken to serving dish. Using a slotted spoon, spoon the peaches, raisins (or currants), and some of the juice onto the chicken and serve. Garnish with the reserved peaches.

Serves 4-5

Pork and Sausage:

Pulled Pork Sandwiches



Sauce:

5 cloves chopped garlic
2 cups orange juice
2 cups coffee
2 cups brown sugar
16 ounces ketchup
3 cups balsamic vinegar
1 cup molasses
2 teaspoons ground cinnamon
1/2 teaspoon ground cloves
2 cans beer

6 pounds pork butt or pork shoulder
10 cloves garlic
Salt and freshly ground pepper
8 Rolls

1. Combine all ingredients for the sauce in a large saucepan and bring to a simmer. Continue to cook for 45 minutes at a low simmer, stirring occasionally to keep the sugars from scorching on the bottom of the pan.
2. Preheat oven to 425°F.
3. Using a small paring knife, cut deep slits into the pork and insert the garlic cloves all around. Rub the pork with oil and season liberally with salt and freshly ground pepper. Place the pork on a rack and put in the oven for 25 minutes. The high heat will sear the pork all around and give a nice crust.
4. Place the pork in the stoneware and cover with the sauce. Cover; cook on Low for 10-12 hours or on High for 7 to 9 hours.
5. Stuff rolls with pulled pork.

Serves 8



This recipe is ideal for using the Auto Cook Mode. Refer to pg. 7 for instructions.

E44



This recipe is ideal for using the Dual Cycle Mode. Refer to pg. 10 for instructions.



This recipe is ideal for using the Auto Cook Mode. Refer to pg. 7 for instructions.

E45



This recipe is ideal for using the Dual Cycle Mode. Refer to pg. 10 for instructions.

Easy Pork Burritos



1 6-pound pork butt or pork shoulder, trimmed of fat
1-2 bottles of your favorite BBQ sauce
1 package (8) burrito wrappers
2 ripe avocados, peeled and sliced
1 bunch cilantro, stemmed (optional)
1-2 cups shredded Monterey Jack or Cheddar cheese
Sour cream and salsa to garnish

1. Place pork in stoneware. Cover; cook on Low for 10-12 hours or on High for 8-10 hours (can be done overnight).
2. Set oven to 400°F. Separate meat from fat and drippings, and place in a separate bowl. Stir in enough BBQ sauce to thoroughly moisten and flavor meat.
3. Roll burritos with BBQ pork, avocado, and cilantro, and place in a 9x13 inch glass baking dish.
4. Top with cheese and place in oven. Cook for 5-10 minutes or until heat through and cheese is melted. Garnish with sour cream and salsa.

Serves 6-8

Sweet and Spicy Pork Picadillo

2 pound boneless pork country-style ribs, trimmed of excess fat and cut into 1-inch cubes*
2 tablespoons olive oil
2 yellow onions, cut into 1/4-inch dices
4 cloves of garlic, minced
2 15-ounce can diced tomatoes, undrained
6 tablespoons cider vinegar
4 chipotle peppers (canned, in Adobo sauce), chopped**
1 cup raisins, chopped
1 teaspoon cumin
1 teaspoon cinnamon
Salt and freshly ground pepper
Prepared white rice

*Other cuts of boneless pork can also be used, such as trimmed pork shoulder.
**If using dried chipotles, soak in warm water to soften before chopping - about 20 minutes.

1. Heat olive oil in sauté pan, add onions and garlic, and sauté over medium-low heat until softened, about 4 minutes.
2. Add pork and brown. Transfer to stoneware.
3. In a separate bowl, combine tomatoes, cider vinegar, chipotle peppers, raisins, cumin, and cinnamon. Blend well and pour over pork.
4. Cover; cook on Low for 6-8 hours or on High for 3-5 hours or until pork is very tender. Using the tines of two forks, shred the pork. Put the lid back on the stoneware and cook for 1/2 hour more on High.
5. Season with salt and pepper and serve over rice.

Serves 8



This recipe is ideal for using the Auto Cook Mode. Refer to pg. 7 for instructions.

E46



This recipe is ideal for using the Dual Cycle Mode. Refer to pg. 10 for instructions.



This recipe is ideal for using the Auto Cook Mode. Refer to pg. 7 for instructions.

E47



This recipe is ideal for using the Dual Cycle Mode. Refer to pg. 10 for instructions.

Pork Tenderloin with Figs, Apricots, and Shitake Mushrooms



3 pounds pork tenderloin, rinsed, dried, and trimmed of excess fat or silver skin
2 tablespoons olive oil
3 large Vidalia onions, sliced into 1/4-inch slices
2 cups sliced shitake mushrooms (4 or 5 stemmed mushrooms)
20 dried figs
1 cup dried apricots, chopped
3 tablespoons balsamic vinegar
1/2 cup chicken stock
2 tablespoons chopped fresh sage
Salt and freshly ground pepper

1. Heat olive oil in sauté pan. Season pork tenderloin with salt and pepper, sear all sides in sauté pan, and remove from heat.
2. Layer onions in bottom of stoneware, place tenderloin on top, and add mushrooms, figs, and apricots.
3. In a separate bowl, combine balsamic, stock, and sage; pour over other ingredients.
4. Cover; cook on Low for 6-8 hours or on High for 3-5 hours, tossing ingredients several times to ensure even cooking, until meat is tender and onions have softened
5. Remove tenderloin, let rest for 5 minutes. Adjust seasoning to taste and cut into 3/4-inch slices. To serve top pork with the figs, apricots and mushrooms and broth.

Serves 4-6

Smothered Autumn Pork Roast



2 boneless pork loins, about 2-3 pounds each
4 apples, peeled, cored and sliced
2 large onions, peeled and sliced
Salt and freshly ground pepper to taste

1. Season the pork loins well with salt and freshly ground pepper.
2. Place pork in bottom of stoneware and place apples and onions on top.
3. Cover; cook on Low for 10-12 hours or on High for 6-8 hours, until meat pulls apart easily. Transfer pork to cutting surface and let rest for 10 minutes before slicing into 1/2-3/4 inch pieces.
4. Top pork slices with apples and onions.

Serves 10-12



This recipe is ideal for using the Auto Cook Mode. Refer to pg. 7 for instructions.

E48



This recipe is ideal for using the Dual Cycle Mode. Refer to pg. 10 for instructions.



This recipe is ideal for using the Auto Cook Mode. Refer to pg. 7 for instructions.

E49



This recipe is ideal for using the Dual Cycle Mode. Refer to pg. 10 for instructions.

Boneless Pork Roast with Garlic and Rosemary



2 boneless pork loins, about 2 pounds each, rinsed and patted dry
6 tablespoons olive oil
8 cloves of garlic, minced
1 bunch chopped fresh rosemary
1 lemon, cut into $\frac{1}{8}$ - $\frac{1}{4}$ inch slices
 $\frac{1}{4}$ cup white wine
 $\frac{1}{2}$ cup chicken stock
Kosher salt and pepper
Butcher's twine

1. Place pork loins on your work surface and heavily season with salt and freshly ground pepper.
2. In a separate bowl, combine 2 tablespoons of olive oil, the garlic and the rosemary. Rub this all over the pork.
3. Roll and tie the pork snugly using butcher's twine. Tuck the slices of the lemon under the twine and into the ends of the roast.
4. Heat the remaining 1 tablespoon of olive oil in a sauté pan over medium heat. Sear the pork loins on all sides until just brown. Transfer to the stoneware.
5. Return the sauté pan to the heat and deglaze the pan with the white wine and the stock, using a wooden spoon to remove any caramelized bits. Pour over the pork.
6. Cover; cook on Low for 8-10 hours or on High for 5-7 hours. Remove from stoneware; allow roast to rest for 10 minutes before removing twine and slicing.
7. Adjust the seasoning to taste and pour juices over the sliced pork.

Serves 8-10

Country-Style Pork Ribs



3 pounds boneless country-style pork ribs, rinsed and patted dry
6 firm, crisp apples (such as Granny Smith, Macouns, Galas, Braeburns), peeled, cored and cut into $\frac{1}{4}$ -inch slices
6 leeks, trimmed of roots and green tops, sliced (across into $\frac{1}{4}$ -inch slices) and rinsed to remove any grit (about 6 cups)
 $\frac{1}{4}$ cup white wine
 $\frac{1}{4}$ cup chicken stock
4 cloves of garlic, smashed
2 tablespoons chopped fresh sage
Salt and pepper

1. Trim pork of any excess fat. Season well with salt and pepper, and transfer to the stoneware.
2. Put leeks and apples on top of pork. In a separate bowl, add wine, stock, garlic, sage, salt, and pepper. Blend and pour into stoneware.
3. Cover; cook on Low for 7-9 hours or on High for 5-7 hours, until pork is tender and apples and leeks have softened, turning once or twice to ensure even cooking. Adjust seasoning to taste.
4. Spoon leeks and apples onto a serving dish and top with pork.

Serves 4-6



This recipe is ideal for using the Auto Cook Mode. Refer to pg. 7 for instructions.

E50



This recipe is ideal for using the Dual Cycle Mode. Refer to pg. 10 for instructions.



This recipe is ideal for using the Auto Cook Mode. Refer to pg. 7 for instructions.

E51



This recipe is ideal for using the Dual Cycle Mode. Refer to pg. 10 for instructions.

Baby Back Ribs

2 tablespoons ground cumin
2 tablespoons chili powder
2 tablespoons brown sugar
4 teaspoons ground coriander
1/2 teaspoon ground cinnamon
2 teaspoon salt
1 teaspoon ground black pepper
4-6 pounds baby back pork ribs
2/3 cup bourbon
1/2 cup brown sugar, packed
1/2 cup chili sauce

1. In a small bowl, combine the cumin, chili powder, 2 tablespoon of sugar, coriander, cinnamon, salt, and pepper. Stir to thoroughly combine, and rub all over the ribs.
2. Place the ribs into the stoneware. In a small bowl, stir together the bourbon, 1/2 cup sugar, and chili sauce and pour all over the ribs.
3. Cover; cook on Low for 8-10 hours or on High for 4-6 hours. Occasionally brush sauce onto the ribs.

Serves 8

Beer-Braised Kielbasa

5 packages kielbasa, cut into 1/2-inch slices
1 can beer
2 cups brown sugar

1. Place kielbasa into stoneware.
2. Combine beer and brown sugar and pour over kielbasa.
3. Cover; cook on Low for 7-8 hours or on High for 4-5 hours, stirring occasionally.

Serves 12-15

Sausage and Pepper Submarine Sandwiches

6 red bell peppers, sliced thin
4 yellow onions, sliced thin
1/4- 1/2 cup extra virgin olive oil, divided
1 tablespoon dried oregano
2 teaspoons dried parsley flakes
2 teaspoon salt
1 teaspoon ground black pepper
2 teaspoon red pepper flakes (optional)
4 pounds hot or sweet Italian sausage
Submarine rolls

1. Place the sliced peppers and onions in the stoneware. Drizzle with 2 tablespoon of oil and add the seasonings. Stir to thoroughly combine.
2. In a skillet over medium-high heat, add 1/2 the remaining oil and brown the sausage in two batches, adding more olive oil if necessary.
3. Place sausage over the vegetables in the stoneware, cover, and cook on Low for 4-6 hours or on High for 2-4 hours. Remove sausage to a submarine roll and cover with the peppers and onions. Repeat with remaining sausages and vegetables.

Serves 10-12



This recipe is ideal for using the Auto Cook Mode. Refer to pg. 7 for instructions.

E52



This recipe is ideal for using the Dual Cycle Mode. Refer to pg. 10 for instructions.



This recipe is ideal for using the Auto Cook Mode. Refer to pg. 7 for instructions.

E53



This recipe is ideal for using the Dual Cycle Mode. Refer to pg. 10 for instructions.

Beef:

Maple Whiskey Glazed Beef Brisket



2 beef briskets, about 2-2½ pounds each, scored with a knife on both sides

¼ cup olive oil

1 cup real maple syrup

½ cup whiskey

¼ cup brown sugar

2 tablespoons tomato paste

2 oranges, zested and then juiced

4 cloves of garlic, smashed

8 thin slices fresh ginger (¼-inch thick)

2 teaspoons cayenne pepper

2 tablespoons coarse salt

1 teaspoon freshly ground black pepper

1. Combine cayenne pepper, salt, and ground black pepper. Rub all over brisket and place in a plastic zipper bag, bowl or other container.
2. Combine remaining ingredients in a separate bowl and blend to mix. Pour over brisket and marinate for 2 hours or overnight.
3. Transfer brisket and marinade to stoneware, cover, and cook on Low for 9-12 hours or on High for 4-6 hours, turning once or twice. Adjust seasoning to taste. Thinly slice across the grain and serve with liquid spooned over brisket.

Serves 8-10

Carne Relleno



2 pieces of flank steak, about 2 pounds each, scored on one side

2 4-ounce can whole green chilies (jalapeños)

8 ounces cream cheese

2 12-ounce jars prepared salsa verde

String to tie roll

1. Divide cream cheese among the chilies, stuffing each chili.
2. Lay the chilies into the steak, unscored side. Roll the steak and tie with string.
3. Place into stoneware; pour the salsa verde over meat.
4. Cover; cook on Low for 6-9 hours or 3-5 hours on High.
5. Remove from stoneware, cut string and cut into 6 pieces. To serve, spoon sauce over meat.

Serves 10-12



This recipe is ideal for using the Auto Cook Mode. Refer to pg. 7 for instructions.

E54



This recipe is ideal for using the Dual Cycle Mode. Refer to pg. 10 for instructions.



This recipe is ideal for using the Auto Cook Mode. Refer to pg. 7 for instructions.

E55



This recipe is ideal for using the Dual Cycle Mode. Refer to pg. 10 for instructions.

Hearty Beef Short Ribs



8 bone-in beef short ribs, about 6 pounds (or 8-12 boneless beef short ribs, about 4 pounds)

2 tablespoons coarse salt

2 tablespoons freshly ground black pepper

2 tablespoons olive oil

4 carrots, cut into 1/4-inch dices

4 celery stalks, cut into 1/4-inch dices

2 large yellow onion, cut into 1/4-inch dices

6 cloves of garlic, minced

2/3 cup red wine

2/3 cup crushed tomatoes

2/3 cup balsamic vinegar

3 bay leaves

1. Season each short rib with coarse salt and freshly ground black pepper and coat with olive oil.
2. Heat 2 tablespoons olive oil in a large sauté pan. Sear short ribs until just browned, in batches if necessary, about 2-3 minutes per side. Transfer to stoneware.
3. Top meat with celery, carrots, onions, garlic, and bay leaves.
4. In a separate bowl, combine wine, crushed tomato, vinegar, salt, and pepper. Stir to blend. Pour into stoneware.
5. Cover; cook on Low for 8-10 hours or on High for 5-7 hours, turning once or twice, until meat is tender and easily falling from bone (or fork-tender if using boneless).
6. Remove ribs from stoneware. Using an immersion blender (or traditional blender), puree the sauce, leaving some chunkiness.
7. Pour sauce over ribs and serve.

Serves 6-8

Beef Ale Stew with Caramelized Onions and Fennel



2 tablespoons unsalted butter

2 teaspoons dried Italian seasoning

1 teaspoon dried tarragon

1 pound thin-sliced yellow onion

2 cups fresh chopped fennel

2 pounds beef top round steak, sliced thin

1 pound white button mushrooms, halved

1 14-ounce can beef broth

1 14.5-ounce can diced roasted garlic tomatoes, undrained

1 teaspoon paprika

1 12-ounce bottle amber ale beer

1 tablespoon dark brown sugar

2 teaspoons beef & pork seasoning or rub

1 bay leaf

6 cups prepared white rice

1/4 cup fresh chopped Italian parsley

1. Place butter in stoneware and set to High until butter melts. Add Italian seasoning, tarragon, onions, and fennel. Cover and cook on High for 15 to 20 minutes, until caramelized.
2. Add the beef slices, mushrooms, beef broth, tomatoes, paprika, amber ale beer, brown sugar, seasoning or rub, and bay leaf. Cover; cook on High for 1 hour and then on Low for 5 to 6 hours.
3. Remove bay leaf. On a large platter, make a ring of white rice and fill the center with beef stew. Top with fresh chopped Italian parsley.

Serves 6-8



This recipe is ideal for using the Auto Cook Mode. Refer to pg. 7 for instructions.

E56



This recipe is ideal for using the Dual Cycle Mode. Refer to pg. 10 for instructions.



This recipe is ideal for using the Auto Cook Mode. Refer to pg. 7 for instructions.

E57



This recipe is ideal for using the Dual Cycle Mode. Refer to pg. 10 for instructions.

Winter Comfort Pot Roast



2 carrots, peeled and halved
1 medium onion, peeled, roots removed, and cut into 4 wedges
4 cloves garlic, peeled and minced
2 tablespoons fresh thyme
1 bay leaf
3 whole cloves
1 cup chicken broth
1 cup dry white wine
3 tablespoons tomato paste
2 tablespoons extra-virgin olive oil
1/4 pound pancetta, thickly sliced, diced
1 4-pound boneless beef chuck pot roast
Salt and pepper
2 tablespoons brandy
1/2 teaspoon prepared horseradish
1/2 teaspoon Dijon mustard
2 tablespoons sour cream
1 teaspoon flour
2 tablespoons Italian flat-leaf parsley, minced

1. Place the carrots, onion, garlic, herbs, and cloves into the stoneware.
2. Combine broth, wine, and tomato paste in a separate bowl; set aside.
3. Add olive oil and pancetta to a large, heavy skillet set to medium-high heat and cook pancetta until lightly browned. Remove pancetta and add to stoneware.
4. Pat roast dry with paper towels and season generously with salt and pepper. Sear on all sides in skillet set to medium-high heat, about 4 minutes per side.
5. Remove roast and place in stoneware over vegetables. In skillet set to medium heat, deglaze the pan with the broth mixture, scraping up all browned bits of pancetta and pot roast stuck to pan.

Recipe continued on next page.

Winter Comfort Pot Roast (cont.)



6. Pour the liquid over the roast, cover, and cook on Low for 8-10 hours or on High for 5-7 hours.
7. Remove roast, carrots and onions and strain and reserve liquids. Using a skimmer or defatter, remove and discard fat from liquid. Place in saucepan, and boil and reduce liquids by half, about 10 minutes. Stir in the brandy, horseradish and mustard.
8. In a small bowl, stir together the sour cream and the flour. Stir in 2 tablespoons of the brandy sauce to the sour cream and flour mixture and add back to the pan. Cook gently over medium heat for about 4-5 minutes.
9. Slice thinly, and serve with sauce and parsley to garnish.

Serves 6-8

Simple Korean Flank Steak



6 pounds flank steak
1 cup soy sauce
1/2 cup brown sugar
2-4 tablespoons freshly grated gingerroot
6 cloves garlic, minced
1 bunch scallions, minced

1. In a bowl, mix soy sauce, brown sugar, gingerroot, garlic, and scallions.
2. With a fork, prick the surface of the steak and place in marinade for 2 hours or overnight.
3. Put steak and marinade into the stoneware, cover, and cook on Low for 8-10 hours or on High for 5-7 hours.

Serves 8-10



This recipe is ideal for using the Auto Cook Mode. Refer to pg. 7 for instructions.

E58



This recipe is ideal for using the Dual Cycle Mode. Refer to pg. 10 for instructions.



This recipe is ideal for using the Auto Cook Mode. Refer to pg. 7 for instructions.

E59



This recipe is ideal for using the Dual Cycle Mode. Refer to pg. 10 for instructions.

Six Pepper Chili



3 pounds hamburger
1 12-ounce can beef broth
1 teaspoon oregano
3 teaspoons chili powder
1 teaspoon cumin
5 cloves garlic
2 12-ounce cans pinto beans, drained and rinsed
2 12-ounce cans of red kidney beans, drained and rinsed
5 dashes hot sauce
2 28-ounce cans crushed Italian tomatoes
1 12-ounce can of tomato paste
1 teaspoon salt
1 teaspoon black pepper
1 teaspoon cayenne pepper
1 red pepper, seeded and diced
1 green pepper, seeded and diced
2 Serrano chili peppers, minced
1 long red pepper, diced

1. In a large skillet, brown meat.
2. Add meat and other ingredients to stoneware.
3. Cover and cook on Low for 6-8 hours or on High for 5-7 hours, stirring occasionally.
4. Mix well before serving.

Serves 6-8

Beef, Bacon, and Mushroom Stew



3-4 pounds beef chuck, cut into 1-inch pieces
1 onion, chopped
2 carrots, chopped coarsely
6 cloves garlic, chopped coarsely
4 bay leaves
4 sprigs fresh thyme
10 black peppercorns
2 tablespoons olive or vegetable oil
1/2 pounds bacon or pancetta, diced
2 onions, chopped
2 carrots, diced
1/4 cup flour
2 cups red wine
2 cups beef broth
1 tablespoon tomato paste
1 pound mushrooms
2 cloves fresh garlic, coarsely chopped
Salt and pepper
Freshly chopped Italian flat-leaf parsley

1. Combine first seven ingredients in a bowl. Place in refrigerator to marinate for 12 hours. Remove meat from marinade, pat meat dry, and discard marinade.
2. In a large heavy skillet, pour 1 tablespoon of oil and set to medium heat. Add bacon and cook until it just starts to brown. Remove bacon, reserving bacon fat, and place bacon in the stoneware.
3. Salt and pepper the beef, and brown the meat, in batches if necessary, until browned on all sides. Place meat in the stoneware.
4. Briefly sauté onions, carrots and mushrooms in reserved bacon fat until lightly browned.

Recipe continued on next page.



This recipe is ideal for using the Auto Cook Mode. Refer to pg. 7 for instructions.

E60



This recipe is ideal for using the Dual Cycle Mode. Refer to pg. 10 for instructions.



This recipe is ideal for using the Auto Cook Mode. Refer to pg. 7 for instructions.

E61



This recipe is ideal for using the Dual Cycle Mode. Refer to pg. 10 for instructions.

Beef, Bacon, and Mushroom Stew (cont.)



5. Add flour and sauté for 5 minutes on medium heat. Add vegetables to the stoneware.
6. Stir in red wine, beef broth, and tomato paste. Cover; cook on Low for 5-7 hours or on High for 4-6 hours.
7. Cool and place in refrigerator overnight.
8. Set oven to 300°F. Skim fat off top of dish and add fresh garlic and salt and pepper to taste.
9. Place stoneware in the oven and cook until dish begins to simmer. Stir and simmer for 5 minutes.
10. Garnish with parsley.

Serves 8

Vegetarian:

Chunky Vegetarian Chili



- 1 tablespoon olive oil
 - 1½ cups Vidalia onion, chopped (or other large, sweet yellow onion)
 - 3 cloves garlic, minced
 - ¾ cup red bell pepper, chopped
 - ½ cup green bell pepper, chopped
 - 1 cups celery, chopped
 - 1 28-ounce can whole tomatoes, undrained and chopped
 - 1 16-ounce can stewed tomatoes, undrained
 - 1 15-ounce can diced tomatoes, drained
 - 1 15-ounce cans black beans, rinsed and drained
 - 1 15-ounce can pinto beans, rinsed and drained
 - 1½ tablespoons chili powder
 - 1 teaspoon ground cumin
 - 1 teaspoon dried oregano
 - 1 bay leaf
 - ½ teaspoon salt
 - ½ teaspoon black pepper
 - 1 cup zucchini, chopped chunky
 - 1 cup mushrooms, chopped chunky
 - 1 package frozen corn kernels
 - ¼ cup sour cream for garnish (optional)
 - ¼ cup shredded Cheddar cheese for garnish (optional)
- Prepared rice

1. Heat the oil in a Dutch oven or large sauté pan over medium heat.
2. Add onion, garlic, bell peppers, and celery.
3. Sauté 5 minutes or until tender and transfer to stoneware.
4. Add remaining ingredients, cover, and cook on Low for 6-8 hours or on High for 5-7 hours.
5. Serve over white or brown rice and garnish with a dollop of sour cream and/or sprinkled with shredded cheese.

Serves 6-8



This recipe is ideal for using the Auto Cook Mode. Refer to pg. 7 for instructions.

E62



This recipe is ideal for using the Dual Cycle Mode. Refer to pg. 10 for instructions.



This recipe is ideal for using the Auto Cook Mode. Refer to pg. 7 for instructions.

E63



This recipe is ideal for using the Dual Cycle Mode. Refer to pg. 10 for instructions.

Mushroom Barley Stew



- 1/2 pound of pearl barley, rinsed and checked over*
- 1 10-ounce package of fresh mushrooms, such as Crimini, rinsed and thinly sliced*
- 1 cup dried mushrooms, Porcini if possible, soaked to cover in warm water to soften, liquid reserved*
- 2 carrots, peeled and cut into 1/4-inch dices*
- 2 celery stalks, cut into 1/4-inch dices*
- 1 yellow onion, cut into 1/4-inch dices*
- 8-10 cups chicken (or mushroom) stock*
- 1 tablespoon fresh thyme*
- 2 bay leaves*
- 1 tablespoon tomato paste*
- Salt and pepper*
- 2 tablespoons Italian flat-leaf parsley*

1. Add all ingredients, starting with 8 cups of stock and including reserved liquid from dried mushrooms (be careful to discard any sediment) to stoneware. Stir to blend.
2. Cover; cook on Low for 5-6 hours or on High for 3-5 hours, until barley and vegetables have softened. If more liquid is needed, add more stock (this will require more cooking time after adding).
3. Adjust seasoning and serve with a sprinkling of parsley.

Serves 8-10

Easy Pizza or Pasta Sauce

- 2 whole bulbs garlic, peeled and coarsely chopped*
- 3 tablespoons olive oil*
- 3 28-ounce cans peeled plum (Roma) tomatoes*
- 2-3 tablespoons sugar*
- Salt and pepper*
- 2 bunches fresh basil, cut into ribbons or torn*

1. In a frying pan set to medium heat, heat olive oil. Add garlic to the pan and cook until fragrant and softened, stirring constantly and being careful not to burn, about 2 minutes. Remove from heat, and add garlic and oil to stoneware.
2. Add tomatoes, sugar, and salt and pepper to taste. Cover; cook on Low for 6-7 hours or on High for 3-4 hours.
3. Stir in basil; toss with pasta or spread on pizza round as desired and pass the cheese.

Serves 8-10



This recipe is ideal for using the Auto Cook Mode. Refer to pg. 7 for instructions.

E64



This recipe is ideal for using the Dual Cycle Mode. Refer to pg. 10 for instructions.



This recipe is ideal for using the Auto Cook Mode. Refer to pg. 7 for instructions.

E65



This recipe is ideal for using the Dual Cycle Mode. Refer to pg. 10 for instructions.

Soups and Chowders

Black Bean Chipotle Soup *



1 pound dry black beans, rinsed, drained and checked for foreign objects
2 stalks celery, cut into 1/4-inch dices
2 carrots, peeled and cut into 1/4-inch dices
1 yellow onion, peeled and cut into 1/4-inch dices
2 chipotle peppers (canned in adobo sauce), chopped**
1 cup crushed tomatoes
1 4-ounce can chopped green chilies, drained (hot or mild, depending on preference)
6 cups chicken (or vegetable) stock
2 teaspoons cumin
Salt and pepper

Toppings

Sour cream
Salsa
Fresh cilantro, chopped

*For an even heartier soup, add 1 cup of diced, cooked spicy sausage, such as andouille, chorizo, or linguica. Add to soup after soup has been pureed and cook for 30 minutes more.

**If using dried chipotle peppers, soak in warm water to soften before chopping about 20 minutes.

1. Place beans in a medium pan, cover with cool water, bring to a boil, boil for 2 minutes, remove from heat, and let stand for 1 hour and rinse. Add to stoneware and top with celery, carrots, and onions.
2. In a separate bowl, combine chipotles, crushed tomatoes, green chilies, stock, cumin, and salt and pepper to taste. Mix to blend and pour into stoneware.

Recipe continued on next page.

Black Bean Chipotle Soup (cont.)



3. Cover; cook on High for 1 hour and then on Low for 6 hours, until beans are tender to bite. Adjust seasoning to taste.
4. Puree with an immersion blender (or traditional blender) to a slightly chunky consistency. If using, add additional sausage and cook for 30 minutes more.
5. Serve topped with a dollop of sour cream, spoon of salsa and sprinkling of chopped cilantro.

Serves 4-6

Curried Butternut Squash Soup

2 pounds butternut squash, rinsed, peeled, seeded, and chopped into 1-inch cubes
1 firm, crisp apple (such as Macoun, Gala, Braeburn), peeled, seeded, and chopped
1 yellow onion, chopped
4-5 cups chicken stock
1 tablespoon curry powder
1/4 teaspoon ground cloves
Salt and pepper
1/4 cup chopped dried cranberries

1. Add squash, apple, and onion to the stoneware.
2. In a separate bowl, combine 4 cups stock, curry, and cloves and mix. Pour over squash and apples.
3. Cover; cook on Low for 5-5 1/4 hours or on High for 3 1/4-4 hours, until ingredients have fully softened.
4. Puree with an immersion blender (or traditional blender). Adjust salt and pepper to taste and add more stock if soup is too thick (this will require more cooking time after adding).
5. Serve in bowls, garnishing with sprinkle of dried cranberries.

Serves 6-8



This recipe is ideal for using the Auto Cook Mode. Refer to pg. 7 for instructions.

E66



This recipe is ideal for using the Dual Cycle Mode. Refer to pg. 10 for instructions.



This recipe is ideal for using the Auto Cook Mode. Refer to pg. 7 for instructions.

E67



This recipe is ideal for using the Dual Cycle Mode. Refer to pg. 10 for instructions.

Chicken Tortilla Soup

8 boneless, skinless chicken thighs, rinsed, dried, and seasoned with salt and pepper
2 4-ounce can chopped green chilies, drained (hot or mild, depending on preference)
4 cloves garlic, minced
2 yellow onions, diced
2 28-ounce cans of diced tomatoes, undrained
4 - 5 cups chicken broth
2 teaspoons cumin
Salt and pepper

Toppings

8 corn tortillas, sliced into 1/4-inch strips
1/4 cup chopped cilantro
1 cup shredded Monterey Jack cheese
2 avocados, diced and tossed with lime juice to prevent browning
2 limes

1. Place chicken in stoneware.
2. In a separate bowl, combine chilies, garlic, onion, tomatoes, 3 cups chicken broth and cumin. Blend and pour over chicken.
3. Cook on Low for 7-9 hours or on High for 3-5 hours. When chicken is very tender, use the tines of two forks to shred the chicken. Adjust seasoning, and add additional chicken broth if soup is too thick, noting that the soup will also be thickened with the addition of the sliced tortillas.
4. Just before serving, add sliced tortillas and chopped cilantro to stoneware. Stir to incorporate and to soften tortillas. Adjust seasoning to taste.
5. Serve in soup bowls, topping each with shredded cheese, diced avocado, and a squeeze of lime.

Serves 8-10

Beggar's Chowder

1/4 cup unsalted butter at room temperature
1/4 cup all-purpose flour
1 tablespoon garlic salt
1 tablespoon thyme
1 tablespoon sweet Hungarian paprika
1/2 teaspoon coarsely ground black pepper
4 skinless, bone-in turkey thighs, trimmed of visible fat
Non-stick cooking spray
2 14.75-ounce cans cream style sweet corn
1 10.5-ounce can condensed chicken broth, undiluted
1 cup diced red bell pepper
1 cup diced green bell pepper
1 1/2 cups diced yellow onion
1 pound cleaned, stemmed white mushrooms, halved or quartered if large
1 14.5-ounce can petite diced tomatoes, drained
1 1/2 cups heavy whipping cream
1/2 cup cilantro or parsley
Salt and pepper

1. Combine butter, flour, garlic salt, pepper, thyme, and paprika in small (1-quart) mixing bowl. Using the back of a wooden spoon, work the mixture to form a smooth paste. Rub the paste into all sides of the turkey thighs
2. Spray the stoneware with non-stick cooking spray. Place the turkey thighs in the bottom of the stoneware and cover with red and green peppers, onion, corn, and chicken broth.
3. Cover; cook on High for 3 hours or until turkey is fork tender. Remove turkey thighs from stoneware and set aside until cool enough to handle.
4. While turkey cools, add mushrooms and tomatoes to liquid in stoneware. Cover and continue to cook on High for 1/2 hour more.
5. While mushrooms are cooking, remove the turkey meat from the bones in bite size pieces. When mushrooms are tender, return the turkey to the chowder. Add the heavy cream and cilantro or parsley and cook, covered, until heated through, about 15 minutes more. Taste for seasoning, adding salt and pepper to taste.

Serves 8



This recipe is ideal for using the Auto Cook Mode. Refer to pg. 7 for instructions.

E68



This recipe is ideal for using the Dual Cycle Mode. Refer to pg. 10 for instructions.



This recipe is ideal for using the Auto Cook Mode. Refer to pg. 7 for instructions.

E69



This recipe is ideal for using the Dual Cycle Mode. Refer to pg. 10 for instructions.

Shrimp Thai Soup with Lime and Chilies

3/4 pound uncooked large shrimp, peeled and deveined, shells reserved
2 1/2 quarts low salt chicken broth
1 cup diced carrots
3 stalks lemongrass, thinly sliced
2 inches gingerroot, peeled and grated
2 tablespoons garlic, minced
1 1/2 tablespoons fresh Thai basil (or basil)
1 1/2 tablespoons fresh mint
1 1/2 tablespoons finely chopped cilantro
1 serrano chili, stemmed, thinly sliced
1 1/2 teaspoon fresh lime juice
6 thin lime slices

1. Halve shrimp lengthwise. Place in refrigerator.
2. Add shrimp shells, broth, carrot, lemongrass, gingerroot, and garlic into stoneware. Cover; cook on Low for 3 1/2-4 1/2 hours or on High for 2-3 hours.
3. Strain and reserve broth, discard solids. Pour broth into stoneware.
4. Add shrimp, herbs, chili, and lime juices. Cover, and cook on High until shrimp are cooked, about 15 minutes. Garnish with lime slices.

Serves 6

New England Clam Chowder

1 pound sliced bacon
4 onions, chopped
2 16-ounce containers of clams in juice
4 large cloves garlic, minced
12 new potatoes, cubed
6 cups chicken broth, clam broth or fish fumet
1 tablespoon salt
2 teaspoons pepper
1 stick butter
8 tablespoons flour
1 13-ounce cans evaporated milk
1-2 cups heavy cream

1. Sauté bacon and onion in a skillet.
2. Add bacon, onion, clams and juice, garlic, potatoes, broth, salt and pepper.
3. Cover; cook on Low for 6-8 hours or on High for 2-4 hours.
4. Melt butter in saucepan on stovetop set to medium heat. Add flour and cook for about 3-4 minutes, stirring constantly. Reduce heat and whisk in evaporated milk. With a ladle, scoop out broth from stoneware and stirring constantly, whisk thickened mixture until smooth. Continue adding broth until mixture is pourable. Pour back into stoneware and stir until chowder is smooth. Stir in heavy cream and heat through. Do not simmer.

Serves 8-10



This recipe is ideal for using the Auto Cook Mode. Refer to pg. 7 for instructions.

E70



This recipe is ideal for using the Dual Cycle Mode. Refer to pg. 10 for instructions.



This recipe is ideal for using the Auto Cook Mode. Refer to pg. 7 for instructions.

E71



This recipe is ideal for using the Dual Cycle Mode. Refer to pg. 10 for instructions.

Split Pea Soup

2 16-ounce packages dried split peas
2 pounds cooked ham, diced
14 cups water
2 onions, chopped
4 carrots, chopped
1½ teaspoon salt
8 sprigs fresh thyme, stemmed
1 teaspoon black pepper

1. Add all ingredients to stoneware.
2. Cover; cook on Low for 10-12 hours or on High for 5½- 7½ hours.

Serves 8-10

Holidays and Special Occasions

Stuffed Artichokes

1 lemon, sliced in quarters
6-8 artichokes, washed, tops sliced off and stems trimmed
2 cups bread crumbs
2 cups grated Pecorino Romano cheese
1 large bunch flat leaf parsley, chopped
2 teaspoons salt
1 teaspoon freshly ground pepper
2 tablespoons extra virgin olive oil

1. Fill stoneware with lemon slices and about 1½ inches of water.
2. Combine bread crumbs, cheese, parsley, salt, and pepper in a bowl. Spread artichoke leaves and fill pockets generously with bread crumb mixture until you reach the soft leaves near the center.
3. Place artichokes in stoneware standing up. Drizzle olive oil on top of each artichoke. Cover, and cook on Low for 3-5 hours or on High for 1½-2 ½ hours. Check for doneness after 3 hours on Low or 1 hour on High. Cook until leaves are tender and pull away from heart easily.

Serves 4



This recipe is ideal for using the Auto Cook Mode. Refer to pg. 7 for instructions.

E72



This recipe is ideal for using the Dual Cycle Mode. Refer to pg. 10 for instructions.

Duck with Port, Mushroom, and Tart Cherry Glaze



4 bone-in, skin-on duck legs, about 1½-2 pounds total, rinsed and patted dry
1 tablespoon olive oil
¼ cup dried Porcini mushrooms, soaked in warm water to cover until softened and roughly chopped, reserving liquid (or ¼ cup sliced fresh Shitakes)
½ cup dried cherries
4 cloves of garlic
3 tablespoons apricot preserves
¼ cup port wine
1 shallot, thinly sliced
16 sprigs fresh thyme, 8 whole, 8 chopped (about 1½ tablespoons)
2 bay leaves
Coarse salt and freshly ground pepper
Butcher's twine

1. Season duck legs with coarse salt and freshly ground pepper.
2. Lay a duck leg on your work surface, skin side down and “open”.
3. Place 1 teaspoon of mushrooms, 3-4 dried cherries, 2 sprigs of thyme, and 1 clove of garlic on leg. Fold skin over filling and, using butcher's twine, firmly tie the duck leg closed. Repeat with each leg.
4. Heat olive oil in a sauté pan over medium heat. Sear duck legs until browned, 2-3 minutes per side. Transfer to stoneware.
5. In a separate bowl, combine remaining mushrooms, 2 tablespoons reserved mushroom liquid (avoiding sediment), remaining cherries, 3 tablespoons apricot preserves, port, shallot, chopped thyme, and bay leaves. Season and whisk to combine.
6. Pour port liquid over duck.
7. Cover; cook on Low for 6 hours, turning once or twice.
8. Remove duck from stoneware. Remove twine from legs with kitchen shears (be careful to remove all of twine).
9. Pour port liquid over a sieve, reserving cherries, etc. Allow remaining liquid to settle and skim off fat. Add cherries, etc., back to skimmed liquid, adjust seasoning, and pour over duck legs.

Serves 4



This recipe is ideal for using the Auto Cook Mode. Refer to pg. 7 for instructions.

E73



This recipe is ideal for using the Dual Cycle Mode. Refer to pg. 10 for instructions.

Home-Style Corn Bread

Non-stick cooking spray
1¼ cups all-purpose flour
¾ cup yellow cornmeal
¼ cup granulated sugar
1 tablespoon plus 1 teaspoon baking powder
1½ teaspoons salt
¼ teaspoon ground black pepper
¼-½ teaspoon cayenne pepper
1 egg
1 cup evaporated milk
6 tablespoons melted butter

1. In a medium mixing bowl, combine the flour, cornmeal, sugar, baking powder, and seasonings.
2. In a small bowl, mix the egg, milk, and butter. Pour the wet into the dry ingredients and stir until just incorporated. Do not over-stir.
3. Place the batter into well greased stoneware, cover, and cook on Low for 4-4½ hours or High for 1-2 hours, until a toothpick inserted in center comes out clean.

Serves 6-8

Corned Beef and Cabbage

12 new potatoes, quartered
4 carrots, sliced
4 pounds corned beef brisket
2 onions, sliced
3 bay leaves
8 black peppercorns
1 head cabbage, wedged

1. Place potatoes and carrots in bottom of stoneware. Add brisket, onion, bay leaves and peppercorns.
2. Add enough water to cover.
3. Cover; cook on Low for 8-10 hours or on High for 4-5 hours.
4. Add cabbage halfway through cooking.

Serves 6-8



This recipe is ideal for using the Auto Cook Mode. Refer to pg. 7 for instructions.

E74



This recipe is ideal for using the Dual Cycle Mode. Refer to pg. 10 for instructions.



This recipe is ideal for using the Auto Cook Mode. Refer to pg. 7 for instructions.

E75



This recipe is ideal for using the Dual Cycle Mode. Refer to pg. 10 for instructions.

Stuffing with Apples, Canadian Bacon, and Toasted Pecans

8 cups bread stuffing or unseasoned croutons (about 1-inch cubes)*
1/2 pound Canadian bacon, cut into 1/4-inch dices
1 cup pecans, toasted and roughly chopped
1/2 cup dried cherries (or dried cranberries)
2 cups whole mushrooms, chopped (about 1 cup when chopped)
4 stalks of celery, cut into 1/4-inch dices
2 crisp apples (such as Granny Smith, Macoun, Gala, Braeburn), peeled, cored and cut into 1/4-inch dices
2 tablespoons olive oil
5 cups chicken stock
2 shallots, peeled and minced
2 cloves garlic, minced
1 tablespoon fresh sage, minced
Salt and pepper

*To make your own bread stuffing using fresh or day-old bread, dice the bread into 1-inch cubes and heat in a low oven (225°F) until dried, about 15-20 minutes.

1. Add bread stuffing, apple, cherries, pecans, and sage to stoneware. Toss to combine.
2. In a large sauté pan, heat olive oil over medium-low heat. Add celery, shallot, garlic, mushrooms, and bacon. Sauté until softened and lightly browned, about 4-5 minutes.
3. Deglaze the pan with the chicken stock, using a wooden spoon to lift any bits from the bottom of the pan.
4. Pour this mixture into the stoneware. Add salt and pepper to taste, and stir to blend.
5. Cover; cook on High for 3-5 hours, stirring periodically, until bread softens and stuffing begins to bind.

Serves 10-12

Citrus Spark Salmon Steaks

Non-stick cooking spray
4 6-ounce salmon steaks or fillets, rinsed and blotted dry
1/2 cup water
1/2 cup orange juice
1 jalapeño pepper, seeded and minced
1 2-inch piece fresh ginger root, grated
1 large lime, thinly sliced
1 large lemon, thinly sliced
1 tablespoon extra virgin olive oil
Sea salt and pepper
Sprigs of fresh cilantro and lemon wedges, to garnish

1. Coat stoneware with non-stick cooking spray. Arrange the salmon tightly in the bottom, tucking end of fillets under themselves to even out thickness of the fish.
2. In a small saucepan, combine water, orange juice, jalapeño pepper, and ginger; heat to boil over medium-high heat. Pour evenly around fish.
3. Arrange sliced lime and lemon evenly over fish. Drizzle with olive oil. Salt and pepper to taste.
4. Cover; cook on High until the salmon is opaque and firm to the touch (about 1 1/2 to 2 hours).
5. Turn off heat, and carefully lift fish out of stoneware and place on serving platter. Garnish with cilantro sprigs and lemon wedges. Serve immediately.

Serves 4



This recipe is ideal for using the Auto Cook Mode. Refer to pg. 7 for instructions.

E76



This recipe is ideal for using the Dual Cycle Mode. Refer to pg. 10 for instructions.



This recipe is ideal for using the Auto Cook Mode. Refer to pg. 7 for instructions.

E77



This recipe is ideal for using the Dual Cycle Mode. Refer to pg. 10 for instructions.

Holiday Ham with Ginger and Bourbon

1 fully cooked ham, 5-6 pounds, outer skin and fat removed and scored in a diamond pattern $\frac{1}{4}$ -inch around top and sides
1 4-inch piece of fresh ginger root, peeled with a spoon, finely grated
 $\frac{1}{2}$ cup bourbon
 $\frac{1}{2}$ cup brown sugar, packed

1. Place ham in stoneware. Combine ginger, bourbon and brown sugar and pour over ham.
2. Cover; cook on Low for 7-8 hours or on High for 4-5 hours, basting often, or until internal temperature is over 160°F.

Serves 6-8

Turkey with Pecan-Cherry Stuffing



1 fresh or frozen boneless turkey breast (about 3-4 pounds)
2 cups cooked rice
 $\frac{1}{3}$ cup chopped pecans
 $\frac{1}{3}$ cup dried cherries or cranberries
1 teaspoon poultry seasoning
 $\frac{1}{4}$ cup peach, apricot, or plum preserves
1 teaspoon Worcestershire sauce

1. Thaw turkey breast, if frozen. Remove and discard skin. Cut slices $\frac{3}{4}$ of the way through turkey at 1-inch intervals
2. Stir together rice, pecans, cherries, and poultry seasoning in large bowl.
3. Stuff rice mixture between slices. If needed, skewer turkey lengthwise to hold together.
4. Place turkey in the stoneware. Cover; cook on Low for 6-8 hours or on High for 4 $\frac{1}{2}$ -6 $\frac{1}{2}$ hours.
5. Stir together preserves and Worcestershire sauce. Spoon over turkey.
6. Cover; let stand for 5 minutes. Remove and discard skewer, if used.

Serves 6-8

Sweet Potato Casserole with Gingersnap Topping

8 large sweet potatoes
1 tablespoon salt
Butter, as needed to grease the stoneware
 $1\frac{1}{2}$ cups gingersnaps, finely ground in food processor
 $\frac{1}{2}$ cup brown sugar, packed
 $\frac{1}{4}$ cup butter, melted
Dash nutmeg

1. Bake or boil the sweet potatoes until tender, and mash well with 2 teaspoons of salt.
2. Grease the bottom and sides of the stoneware with butter and add the mashed potatoes.
3. Combine the remaining ingredients in a bowl and spread over the top. Cover; cook on Low for 4-5 hours or on High for 2-2 $\frac{1}{2}$ hours.

Serves 8-10



This recipe is ideal for using the Auto Cook Mode. Refer to pg. 7 for instructions.

E78



This recipe is ideal for using the Dual Cycle Mode. Refer to pg. 10 for instructions.



This recipe is ideal for using the Auto Cook Mode. Refer to pg. 7 for instructions.

E79



This recipe is ideal for using the Dual Cycle Mode. Refer to pg. 10 for instructions.

Lamb Stew with Sherry and Thyme



1/2 cup flour, seasoned with salt and pepper
3 pounds lamb stew meat, cubed to 1-inch and trimmed of fat
1/2 cup olive oil
2 tablespoons butter
4 celery stalks, cut into 1/2-inch dices
4 carrots, peeled and cut into 1/2-inch dices
6-8 Yukon gold potatoes, cut into 1/2-inch dices (about 2 cups)
6 cloves garlic, peeled and chopped
1/4 cup fresh thyme
1 1/2 cups stock
3/4 cup sherry
Salt and pepper
2 tablespoons minced fresh parsley

1. Place seasoned flour in a bowl. Dredge lamb in flour and shake off excess.
2. Heat olive oil and butter in a large sauté pan. Add lamb and sauté until just browned, about 4 minutes. Transfer to stoneware and top with celery, carrots, potatoes, garlic, and thyme.
3. Place sauté pan back on heat and pour in the stock and 1/2 cup of sherry to deglaze the pan, using a wooden spoon to remove any caramelized bits from the pan. Pour into the stoneware.
4. Cover; cook on High for 3-5 hours or on Low 7-9 hours, until lamb is tender.
5. 1/2 hour before completion, add remaining sherry. Adjust seasonings, and serve with a sprinkling of parsley.

Serves 8

Scalloped Potatoes and Ham



Non-stick cooking spray
6 large russet potatoes scrubbed clean and sliced in 1/4-inch rounds
1 can cream of mushroom condensed soup
1 soup can water
1 ham steak, about 1 1/2 pounds, cubed
4 ounces shredded Cheddar cheese
Grill seasoning to taste

1. Layer potatoes and ham in a slow cooker sprayed with nonstick spray.
2. Mix the soup, water, cheese, and seasoning together and pour mixture over ham and potatoes. Cover; cook on High for 3 1/2 hours and then on Low for 1 hour.

Serves 5



This recipe is ideal for using the Auto Cook Mode. Refer to pg. 7 for instructions.

E80



This recipe is ideal for using the Dual Cycle Mode. Refer to pg. 10 for instructions.



This recipe is ideal for using the Auto Cook Mode. Refer to pg. 7 for instructions.

E81



This recipe is ideal for using the Dual Cycle Mode. Refer to pg. 10 for instructions.

Desserts

Crème Brûlée

5 egg yolks
2 cups heavy cream
1 vanilla bean, split down the center
1½ cup sugar
¼ cup raw sugar

1. Place 5²/₃-cup ramekins or custard cups (2³/₄ inches wide by 1³/₄ inches high) inside stoneware. Pour water around ramekins so that water comes halfway up the sides of the ramekins. Remove ramekins and prepare custard.
2. Whisk the egg yolks briefly, set aside. Place the cream, vanilla bean and sugar in a small saucepan set over medium heat. Stir until mixture begins to boil. Remove from heat and let cool, allowing vanilla bean to steep in the cream. When cool, remove bean, scraping out the seeds into the mixture. Very slowly, pour into the egg yolks, whisking well. Strain the mixture through a fine sieve.
3. Pour the mixture into the ramekins and place in stoneware. Cover; cook on High for 1-2 hours, or until custard is set but centers are still soft and jiggly. Carefully remove ramekins from stoneware, let cool, and refrigerate until ready to serve.
4. Spread tops of each custard generously with raw sugar and brûlée with a torch, gradually melting and browning the sugar in quick small, circles.

Serves 5

Chocolate Hazelnut Polenta Cake

Butter, as needed to grease the stoneware
4 ounces semi-sweet chocolate, melted
2 ounces semi-sweet chocolate, chopped into ¼-inch pieces
4 tablespoons butter, melted
¾ cup sugar
2 eggs
1/3 cup milk
1 teaspoon vanilla
¾ cup cornmeal
¼ cup flour
1 teaspoon baking powder
½ teaspoon baking soda
1 teaspoon cinnamon
½ teaspoon orange peel, finely minced
¼ cup hazelnuts, finely chopped
Dash of salt

1. Butter and flour bottom and 3 lowest side inches of stoneware, shaking out any excess flour.
2. In a small sauce pan, melt together 4 ounces of chocolate and butter. Transfer to mixing bowl.
3. Combine sugar, eggs, and vanilla; beat until fluffy. Add to chocolate and blend.
4. In a separate bowl, combine cornmeal, flour, baking powder, baking soda, cinnamon, orange peel, hazelnuts and salt. Mix to blend.
5. Add milk and cornmeal mixture alternately to chocolate until fully incorporated.
6. Fold in chocolate chunks.
7. Pour into stoneware, cover, and cook on High for 2½ hours, until cake sets but is still moist in the center.
8. Let cool and serve with ice cream or whipped cream.

Serves 6-8



This recipe is ideal for using the Auto Cook Mode. Refer to pg. 7 for instructions.

E82



This recipe is ideal for using the Dual Cycle Mode. Refer to pg. 10 for instructions.



This recipe is ideal for using the Auto Cook Mode. Refer to pg. 7 for instructions.

E83



This recipe is ideal for using the Dual Cycle Mode. Refer to pg. 10 for instructions.

Apple Butter



4 quarts peeled, thin-sliced McIntosh apples
4 cups granulated white sugar
1 teaspoon ground cinnamon
¼ teaspoon ground cloves
¼ teaspoon salt

1. Stir all ingredients in stoneware. Cover; cook on High for 1 hour and then on Low for 7 hours, or until the apple butter is thick and brown. Stir occasionally throughout the day.
2. Apple butter will thicken as it cools. Spoon into sterilized pint jars and seal. If sealed, will keep for up to 1 year.

Orange Soufflé

1 tablespoon butter to coat stoneware
⅔ cup superfine sugar plus extra sugar to coat stoneware and sprinkle on top of soufflé (regular sugar may be used if superfine is unavailable)
1 orange, zest only
6 tablespoons flour
½ cup milk
8 egg yolks
4 tablespoons unsalted butter, room temperature
6 tablespoons orange liqueur
1 tablespoons vanilla extract
10 egg whites
1 teaspoon salt
4 tablespoons sugar
Chocolate sauce or sweetened whipped cream (optional)

1. Rub the interior of stoneware with unsalted butter, and sprinkle with superfine sugar. Turn out and reserve any excess sugar.
2. Mix ⅔ cup sugar and orange zest in a food processor.
3. Whisk the flour and milk in a saucepan to blend. Beat in the orange scented sugar. Stir over medium heat until sauce thickens, then whisk as sauce comes to a boil. Continue whisking for 30 seconds and then remove from the heat. Let cool for a moment before beating in the egg yolks one at a time.
4. Add butter, orange liqueur and vanilla extract to the mixture and let stand at room temperature for 20 minutes to cool.
5. In a clean bowl, beat egg whites until foamy. Add salt and beat to soft peaks. Sprinkle in 4 tablespoons sugar and beat to stiff peaks.
6. Add in ¼ of whipped egg whites to base and fold in. Fold in remaining whites and then scrape the mixture into the sugar-coated stoneware. Cover, cook on High for 1 hour.
7. If desired, sprinkle the top of the soufflé with sugar and brûlée with a torch, gradually melting and browning the sugar in quick small, circles.
8. Spoon out and serve with chocolate sauce or sweetened whipped cream.

Serves 10



This recipe is ideal for using the Auto Cook Mode. Refer to pg. 7 for instructions.

E84



This recipe is ideal for using the Dual Cycle Mode. Refer to pg. 10 for instructions.



This recipe is ideal for using the Auto Cook Mode. Refer to pg. 7 for instructions.

E85



This recipe is ideal for using the Dual Cycle Mode. Refer to pg. 10 for instructions.

Cinnamon Ginger Poached Pears

6 cups water
2 cups granulated sugar
20 slices ginger
4 cinnamon sticks
12 pears, peeled and cored
2 tablespoons candied ginger

1. Combine all ingredients in stoneware. Cover; cook on Low for 4-6 hours or on High for 1½-2 hours.
2. Remove pears and cook uncovered for 30 minutes to let syrup thicken. Serve with ice cream or pound cake, spooning syrup over pears.

Serves 12

Notes



This recipe is ideal for using the Auto Cook Mode. Refer to pg. 7 for instructions.

E86



This recipe is ideal for using the Dual Cycle Mode. Refer to pg. 10 for instructions.

E87

Crock-Pot® Smart-Set™

MIJOTEUSE PROGRAMMABLE DE 5,6 LITRES

Crock-Pot® Smart-Set™

MIJOTEUSE PROGRAMMABLE DE 5,6 LITRES

© 2006 Jarden Consumer Solutions. Imprimé en Chine
Crock-Pot®, Rival®, le logo Rival® et SmartSet™ sont des
marques de commerce enregistrées de
Jarden Consumer solutions.



9100050001329
Imprimé en Chine



Guide de l'utilisateur Livre de recettes

CONSIGNES D'ENTRETIEN

1. NE TENTEZ PAS de réparer ou de régler une fonction électrique ou mécanique de l'appareil. Ce faisant, vous annuleriez votre garantie.
2. Si vous devez échanger l'appareil, retournez-le à votre détaillant dans sa boîte originale, accompagné d'un coupon de caisse. Si vous retournez l'appareil plus de 30 jours après la date d'achat, consultez la garantie.
3. Si vous avez des questions ou commentaires au sujet du fonctionnement de cet appareil, ou si vous croyez qu'une réparation est nécessaire, veuillez écrire à notre Service à la clientèle ou visitez notre site Web : www.rivalproducts.com.

RIVAL
c/o JCS/THG, LLC
SERVICE À LA CLIENTÈLE
303 Nelson Avenue
Neosho, MO 64850

GARANTIE

GARANTIE LIMITÉE D'UN (1) AN
CONSERVEZ CETTE GARANTIE

- A. Cette garantie couvre SEULEMENT l'acheteur initial de ce produit.
- B. Cette garantie couvre SEULEMENT les réparations ou remplacements de pièces de ce produit inspectées par JCS/THG, LLC et considérée par elle comme ayant fait défaut dans le cadre du fonctionnement normal de l'appareil suite à une défektivité matérielle ou de main-d'œuvre. JCS/THG, LLC déterminera s'il y a lieu de réparer ou de remplacer l'appareil. Cette garantie ne couvre pas les dépenses d'installation.
- C. Toute utilisation de cet appareil dans des conditions autres que celles recommandées ou à une tension autre que celle indiquée sur l'appareil, ainsi que toute tentative de modifier ou de réparer l'appareil annulent la garantie.
- D. À moins d'une législation à l'effet contraire, JCS/THG, LLC ne sera en aucun cas responsable de blessure, dommage à la propriété ou dommage direct ou accessoire de quelque sorte issus de défauts de fabrication, mauvais fonctionnement, mésusage, installation inadéquate ou modification du produit.
- E. Toutes les pièces de ce produit sont garanties pour une période d'un an, comme suit :
 1. Dans les 30 jours de l'achat initial, votre détaillant devra remplacer ce produit s'il présente une défektivité matérielle ou de main-d'œuvre (tant que le détaillant dispose du produit en inventaire). Si vous avez l'intention d'effectuer une réclamation quant au produit, suivez les directives de l'alinéa F.
 2. Dans les douze mois de l'achat initial, JCS/THG, LLC réparera ou remplacera ce produit s'il présente une défektivité matérielle ou de main-d'œuvre, sous réserve des conditions de l'alinéa G.
- F. Si vous éprouvez tout autre problème ou si vous désirez effectuer toute autre réclamation quant à ce produit, veuillez écrire à notre Service à la clientèle.
- G. DIRECTIVES DE RETOUR IMPORTANTES. Votre garantie dépend de votre respect de ces directives, dans le cas où vous retournez l'appareil à JCS/THG, LLC :
 1. Emballez soigneusement l'article dans sa boîte originale ou dans une autre boîte adéquate, afin d'éviter de l'endommager pendant le transport.
 2. Avant d'emballer votre appareil pour un retour, assurez-vous d'inclure :
 - a) Votre nom, votre adresse complète avec code postal et numéro de téléphone
 - b) Un reçu de caisse daté ou une PREUVE D'ACHAT
 - c) Votre chèque de 10,00 \$ pour le port de retour et la manutention
 - d) Le numéro de modèle de l'appareil et le problème éprouvé (à indiquer dans une enveloppe collée directement sur l'appareil avant de sceller la boîte).
 3. JCS/THG, LLC recommande d'envoyer le paquet via le service de courrier UPS afin d'en effectuer le suivi.
 4. Tous les frais de transport doivent être prépayés.
 5. Indiquez sur l'emballage extérieur :

RIVAL
c/o JCS/THG, LLC
303 Nelson Avenue
Neosho, MO 64850

FRAIS DE PORT ET DE MANUTENTION : 10,00 \$ (USD)

Cette garantie vous confère des droits juridiques précis pouvant varier d'un état ou d'une province à l'autre. Les conditions de cette garantie complètent sans les modifier ni les limiter les garanties légales et les autres droits et recours offerts par toute législation applicable. Dans la mesure où une condition de la présente garantie serait en contravention avec une loi applicable, cette condition sera considérée nulle ou amendée au besoin afin de se conformer à ladite loi.

Table des matières

Mesures de précaution importantes	F2
Introduction	F4
Familiarisez-vous avec votre mijoteuse Smart-Set™	F5
Avant d'utiliser votre mijoteuse Smart-Set™	F5
Assemblage	F5
Mode d'emploi de votre mijoteuse Smart-Set™	F6
Mode de cuisson automatique	F7
Mode de minuterie numérique	F9
Mode de double cycle avec minuterie numérique	F10
Mode manuel	F11
Remarques concernant l'utilisation	F12
Entretien et nettoyage	F13
Trucs et astuces de cuisson	F14
Recettes	F18
Déjeuner et boissons	F21
Entrées et accompagnements	F26
Plats principaux	F34
Volaille	F34
Porc et saucisse	F45
Boeuf	F54
Végétarien	F63
Soupes et potages	F66
Fêtes et occasions spéciales	F72
Desserts	F82
Consignes d'entretien	F88
Garantie	F88

MESURES DE PRÉCAUTION

IMPORTANTES

Certaines consignes de sécurité de base doivent toujours être respectées lors de l'utilisation de votre appareil électrique, y compris :

1. Lisez toutes les directives avant d'utiliser cet appareil.
2. Ne touchez pas aux surfaces chaudes. Utilisez toujours les poignées.
3. Pour éviter de vous électrocuter, n'immergez pas le cordon, la fiche, le cordon de la sonde thermique, ni la base chauffante.
4. Une surveillance étroite est nécessaire lors de l'utilisation par ou près des enfants.
5. Débranchez l'appareil lorsque vous ne l'utilisez pas et avant de le nettoyer. Laissez l'appareil refroidir avant d'y insérer ou d'en retirer toute pièce.
6. N'utilisez pas l'appareil si l'appareil, sa fiche ou son cordon sont endommagés, ou si l'appareil ne fonctionne pas correctement. Retournez l'appareil au fabricant (consultez la garantie) pour vérification, réparation ou réglage.
7. L'utilisation d'accessoires non recommandés par le fabricant peut entraîner un incendie, une électrocution ou causer des blessures.
8. N'utilisez pas cet appareil à l'extérieur.
9. Ne laissez pas le cordon traîner sur le dessus d'une table ou d'un comptoir. Ne le laissez pas entrer en contact avec des surfaces chaudes.
10. Ne placez pas l'appareil sur ou près d'un brûleur au gaz ou électrique ou d'un four chaud.
11. Soyez extrêmement prudent lorsque vous déplacez un appareil contenant de l'huile ou d'autres liquides chauds. Utilisez toujours des gants de cuisson lorsque vous déplacez votre mijoteuse chaude.
12. N'utilisez l'appareil qu'à ce pour quoi il a été conçu.
13. Évitez les changements de température soudains, comme l'insertion d'aliments réfrigérés dans un pot chauffé.
14. Pour débrancher l'appareil, appuyez sur la touche OFF et retirez la fiche de la prise murale.

CONSERVEZ CES INSTRUCTIONS

Cet appareil est conçu pour un USAGE DOMESTIQUE SEULEMENT.

Cet appareil ne contient aucune pièce pouvant être réparée par l'utilisateur. Ne tentez pas de procéder à l'entretien de cet appareil.

Cet appareil est doté d'un court cordon d'alimentation afin de réduire les risques de s'emmêler dans le cordon ou de trébucher. **UNE RALLONGE ÉLECTRIQUE PEUT ÊTRE EMPLOYÉE AVEC PRUDENCE. LA VALEUR NOMINALE DE LA RALLONGE DOIT ÊTRE ÉGALE OU SUPÉRIEURE À LA VALEUR NOMINALE DE LA MIJOTEUSE.** Placez la rallonge de manière à ce qu'elle ne dépasse pas du comptoir ou de la table, ou qu'on ne puisse la tirer ou trébucher dessus accidentellement.



FICHE POLARISÉE

Cet appareil est doté d'un cordon à fiche polarisée (une lame est plus large que l'autre). Afin de réduire les risques d'électrocution, cette fiche ne s'insère que d'un seul sens dans la prise électrique. Si la fiche ne s'insère pas dans la prise, retournez la fiche. Si elle ne s'adapte toujours pas, contactez un électricien qualifié. Ne contournez pas ce dispositif de sécurité et n'altérez la fiche d'aucune façon. Si la fiche est lâche dans la prise CA ou si la prise CA semble chaude, n'employez pas cette prise.

AVIS IMPORTANT : Certaines surfaces de comptoir et de table, comme le Corian® ou des surfaces semblables, ne sont pas conçues pour résister à la chaleur prolongée générée par certains appareils. Nous vous recommandons de poser une plaque chauffante ou un sous-plat sous votre mijoteuse afin d'éviter d'endommager la surface.

REMARQUE : Au moment de la première utilisation de cet appareil, vous détecterez peut-être une légère fumée ou odeur. Cela est normal pour plusieurs appareils chauffants et disparaîtra après quelques utilisations.

REMARQUE : Soyez prudent lorsque vous placez le pot de grès sur une surface de cuisson de céramique ou de verre poli, que ce soit sur une cuisinière, un comptoir, une table, ou autre. Étant donnée la nature du grès, le fond de surface rugueux du pot pourrait égratigner certaines surfaces si la prudence n'est pas observée. Utilisez toujours une protection coussinée sous le pot de grès avant de la déposer sur la table ou sur le comptoir.

Introduction

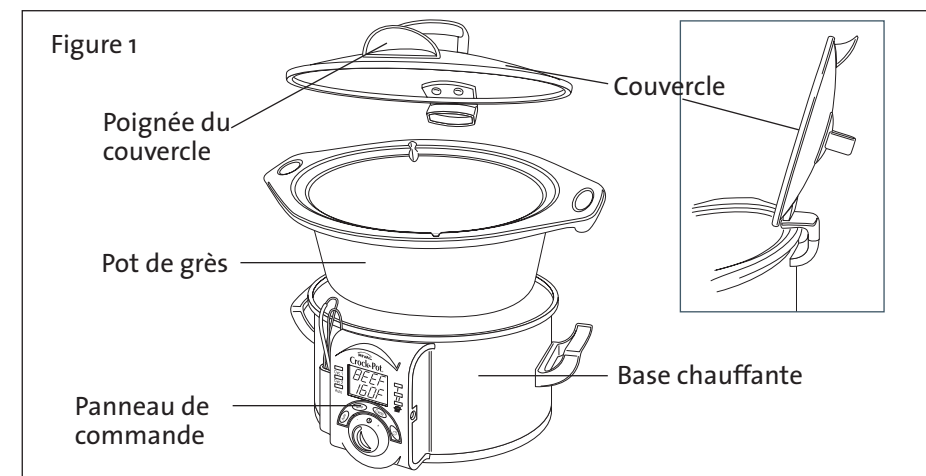
Au moment où vous pensiez que la cuisson par mijoteuse ne pouvait être plus simple, la mijoteuse Smart-Set™ vous entraîne vers un nouveau niveau de simplicité : des possibilités de cuisson avancée au toucher d'une commande vous permettent de personnaliser votre cuisson afin de concocter un repas digne des grands chefs. Qui plus est, elle s'adapte à votre horaire.

En éliminant tout le jeu de devinette, la mijoteuse Smart-Set™ vous permet de cuisiner tout type de viande à la perfection. Les options de viande pré-régées et le thermomètre numérique assurent une saveur optimale, tandis que la mijoteuse passe automatiquement au mode RÉCHAUD une fois les aliments cuits, afin que votre repas soit toujours délicieux et prêt à servir, peu importe votre horaire chargé. La mijoteuse Smart-Set™ suit une recette sans supervision constante, même si la recette exige un changement de température quelques heures après le début de la cuisson. Enfin, votre temps sera passé à savourer votre repas maison, pas à le préparer!

Votre famille et vos invités seront certainement impressionnés, non seulement par le goût délicieux de vos créations culinaires réalisées avec le Smart-Set™, mais aussi par les qualités uniques de votre mijoteuse en matière de fonctions et d'esthétique. Avec sa capacité de 5,6 litres, son couvercle à charnière pratique pour le service et son mode RÉCHAUD, la mijoteuse Smart-Set™ sera au centre de vos soupers de famille et le point de mire de votre vaisselier. Que vous soyez un chef à la maison exigeant en matière de précision ou un amateur connu pour trop ou trop peu cuire les aliments, la mijoteuse Smart-Set™ jouera sous peu un rôle indispensable dans la préparation de vos repas.

Il ne vous faudra qu'un seul repas pour comprendre pourquoi la mijoteuse Smart-Set™ est le choix du chef!

Familiarisez-vous avec votre mijoteuse Smart-Set™



Avant d'utiliser votre mijoteuse Smart-Set™

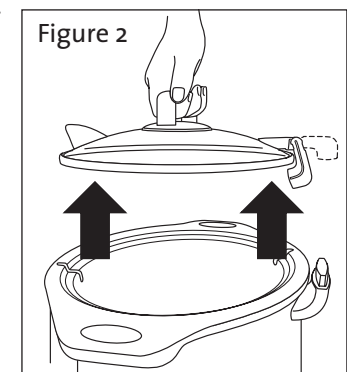
Avant d'utiliser votre mijoteuse, nettoyez le couvercle, le pot de grès, la sonde thermique et le boîtier de la sonde à l'eau savonneuse tiède. Séchez complètement.

N'immergez JAMAIS la base chauffante.

Assemblage

1. Placez le pot de grès dans la base chauffante.
2. Abaissez le couvercle à l'horizontale, dans le pot de grès. Alignez bien la charnière du couvercle de sorte qu'elle s'insère dans la charnière correspondante sur la base chauffante (figure 2).
3. Utilisez toujours la poignée lorsque que vous soulevez et abaissez le couvercle (figure 1).

Attention : Lorsque vous démontez l'appareil, commencez TOUJOURS par retirer le couvercle, puis retirez le pot de grès.



Mode d'emploi de votre mijoteuse Smart-Set™

Figure 3

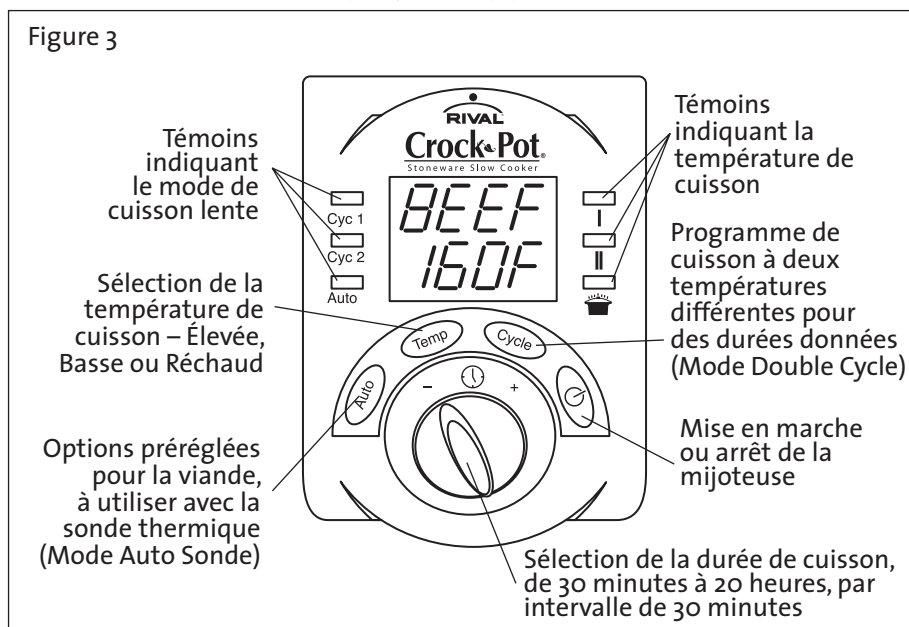
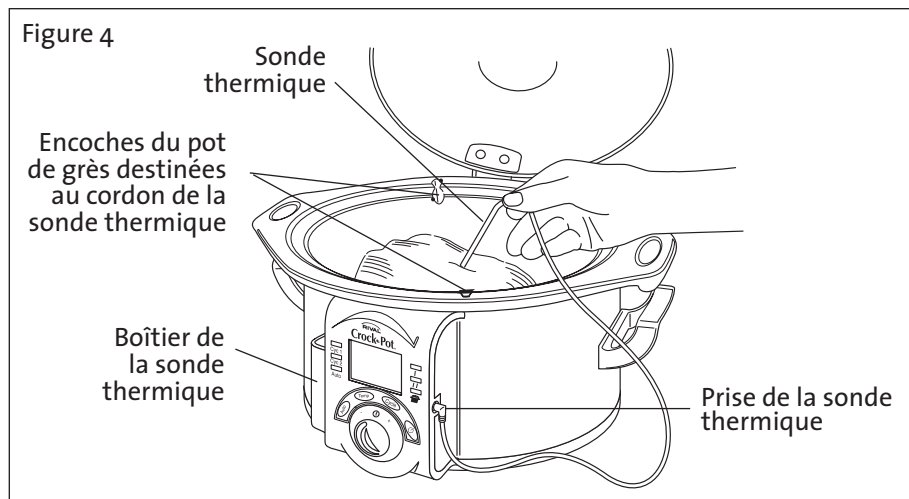


Figure 4



Mode de cuisson automatique

Le mode de cuisson automatique cuisine votre repas selon un réglage de température et de durée. Votre repas est prêt lorsque sa température interne est sécuritaire et lorsqu'il a mijoté suffisamment longtemps pour acquérir la saveur optimale. Les options de viande pré-réglées et le thermomètre numérique assurent des résultats parfaits, peu importe la taille ou la coupe de la viande. La mijoteuse Smart-Set™ passe automatiquement au mode RÉCHAUD, afin que votre repas soit toujours délicieux et prêt à servir. Utilisez ce mode lorsque le goût est votre principale préoccupation : il a été conçu pour vous offrir un résultat optimal, à tout coup.

1. Placez le pot de grès dans la base chauffante.
2. Préparez vos ingrédients et placez-les dans le pot de grès.
3. Branchez le cordon de la sonde thermique dans la prise de la sonde thermique sur la base chauffante (figure 4).
4. Insérez la sonde thermique dans le morceau de viande le plus épais, ou au centre du plat. Fixez le couvercle à la base chauffante, en laissant le cordon de la sonde thermique s'insérer dans l'encoche du pot de grès, sous le couvercle fermé (figure 4).
REMARQUE : Si le cordon de la sonde thermique est retiré de sa prise lorsque l'appareil est branché à l'alimentation électrique, la mijoteuse émettra un bip et affichera PROBE OUT (sonde retirée), jusqu'à ce que le cordon de la sonde thermique soit rebranché dans sa prise.
5. Branchez la base chauffante dans une prise standard.
6. Appuyez sur la touche AUTO pour consulter et sélectionner BEEF (bœuf), POUL (volaille), PRK1 (porc avec les os), PRK2 (porc désossé), CHL (chili) ou STEW (ragoût).
7. Appuyez sur la touche TEMP pour sélectionner la température ÉLEVÉE (II) ou FAIBLE (I).
8. Appuyez sur la touche DÉMARRER/ARRÊTER (⏻) pour commencer la cuisson. L'affichage supérieur indique la sélection AUTO, tandis que l'affichage inférieur indique la température interne de la nourriture et que le témoin de température correspondant s'illumine. L'affichage inférieur reflète les changements de la température interne.
9. Une fois la température interne de la viande ayant atteint le niveau de sécurité, la mijoteuse émet un bip; l'affichage supérieur indique « SIMR » et l'affichage inférieur indique la durée de cuisson* supplémentaire (consultez le tableau de la page 17) avant d'entamer le décompte. À ce moment, la nourriture mijote, jusqu'à ce qu'elle atteigne la saveur optimale.

Mode de cuisson automatique (suite)

10. Lorsque la durée de cuisson est terminée, la mijoteuse émet deux bips et la température passe au mode RÉCHAUD (☞). L'affichage supérieur indique RÉCHAUD (☞) et l'affichage inférieur est éteint.
11. Pour modifier un réglage après avoir appuyé sur la touche DÉMARRER/ARRÊTER (⏻), vous devez effectuer vos nouvelles sélections et appuyer sur la touche DÉMARRER/ARRÊTER (⏻) afin que la mijoteuse reconnaisse les nouveaux réglages.
12. Appuyez sur la touche DÉMARRER/ARRÊTER (⏻) pour éteindre la mijoteuse. Débranchez-la de la prise murale.

Remarques importantes concernant la sonde thermique

- Nettoyez la sonde thermique et son boîtier à l'eau chaude savonneuse avant et après chaque utilisation.
- Placez la sonde thermique dans la partie la plus épaisse de la viande, du rôti ou du plat avant de programmer le Mode de cuisson Auto Sonde.
- Insérez la sonde thermique dans la partie la plus épaisse du plat, de façon à ce qu'elle ne touche ni à un os ni au gras.
- Laissez la sonde thermique dans le plat tout au long du cycle de cuisson.
- Soyez prudent lorsque vous retirez la sonde thermique du plat : la sonde thermique est CHAUDE!

Mode de minuterie numérique

Le mode de minuterie automatique vous permet de régler la durée et la température auxquelles votre repas sera cuisiné, de 30 minutes à 20 heures (par intervalle d'une demi-heure), et de suivre le progrès du décompte affiché numériquement. Une fois la cuisson terminée, la mijoteuse Smart-Set™ passe automatiquement au mode RÉCHAUD afin que votre repas demeure chaud jusqu'au moment de servir. Le mode de minuterie automatique est génial pour faciliter la planification des repas : il n'exige aucune supervision et vous informe exactement du moment où votre repas sera prêt. Il est idéal pour les recettes qui nécessitent une seule température constante pendant toute la durée de la cuisson.

1. Placez le pot de grès dans la base chauffante.
2. Préparez vos ingrédients et placez-les dans le pot de grès.
3. Fixez le couvercle à la base chauffante. Branchez la base chauffante à une prise d'alimentation standard.
4. Appuyez sur la touche TEMP pour sélectionner la température FAIBLE (I) ou ÉLEVÉE (II). Le témoin de la température sélectionnée clignote. Consultez la section « Conversion de vos recettes » pour des renseignements sur les réglages de température.
5. Tournez le cadran MINUTERIE (⌚) pour sélectionner la durée de cuisson à la température sélectionnée. Le témoin de température s'illumine et la durée clignote dans l'affichage supérieur.
6. Appuyez sur la touche DÉMARRER/ARRÊTER (⏻) pour commencer la cuisson. L'affichage supérieur indique la durée entrée et le décompte commence. Le témoin de température correspondant demeure allumé. Lorsque la durée choisie est terminée, la mijoteuse émet deux bips et passe en mode RÉCHAUD (☞). L'affichage supérieur indique RÉCHAUD (☞), le témoin RÉCHAUD (☞) s'illumine et le témoin de température s'éteint.
7. Appuyez sur la touche DÉMARRER/ARRÊTER (⏻) pour éteindre la mijoteuse. Débranchez-la de la prise murale.

Mode de double cycle avec minuterie numérique

Le mode de double cycle fonctionne de la même façon que le mode de minuterie numérique, sauf qu'il va un peu plus loin! Ce mode vous permet de régler votre mijoteuse pour une cuisson à une température pendant une durée donnée, puis de passer automatiquement à une autre température pour une durée supplémentaire, avant de passer au mode RÉCHAUD. Vous pouvez personnaliser vos recettes pendant votre absence, ce qui vous offre un plus grand contrôle sur le procédé de cuisson.

1. Placez le pot de grès dans la base chauffante.
2. Préparez vos ingrédients et placez-les dans le pot de grès.
3. Fixez le couvercle à la base chauffante. Branchez la base chauffante à une prise d'alimentation standard.
4. Appuyez sur la touche TEMP pour sélectionner la température FAIBLE (I) ou ÉLEVÉE (II). Le témoin de la température sélectionnée clignote. Consultez la section « Conversion de vos recettes » pour des renseignements sur les réglages de température.
5. Tournez le cadran MINUTERIE (⌚) pour sélectionner la durée de cuisson à la température sélectionnée. La durée clignote dans l'affichage supérieur et le témoin de température s'illumine.
6. Appuyez sur la touche CYCLE et la durée indiquée dans l'affichage supérieur cesse de clignoter et s'affiche en mode ombragé, tandis que l'autre température clignote.
7. Tournez le cadran MINUTERIE (⌚) pour sélectionner la durée de cuisson à la 2^e température. La durée clignote dans l'affichage inférieur et le 2^e témoin de température s'illumine.
8. Appuyez sur la touche DÉMARRER/ARRÊTER (⏻) pour commencer la cuisson. La durée de l'affichage inférieur cesse de clignoter et s'affiche en mode ombragé, le premier témoin de température s'illumine, l'affichage supérieur s'éclaircit et commence le décompte, tandis que le deuxième témoin de température s'éteint. Lorsque la mijoteuse a fonctionné pendant la durée sélectionnée pour le CYCLE 1, elle émet un bip en passe au programme CYCLE 2 pour la durée sélectionnée. Une fois le CYCLE 2 terminé, la mijoteuse émet deux bips et passe en mode RÉCHAUD (🔥). La mijoteuse demeure en mode RÉCHAUD (🔥) jusqu'à ce que vous l'éteigniez.
9. Pour modifier un réglage après avoir appuyé sur la touche DÉMARRER/ARRÊTER (⏻), vous devez effectuer vos nouvelles sélections et appuyer sur la touche DÉMARRER/ARRÊTER (⏻) afin que la mijoteuse reconnaisse les nouveaux réglages.
10. Appuyez sur la touche DÉMARRER/ARRÊTER (⏻) pour éteindre la mijoteuse. Débranchez-la de la prise murale.

Mode manuel

En mode manuel, vous n'avez qu'à régler une température pour que la mijoteuse cuise à cette température, jusqu'à ce que vous passiez à une autre température ou que vous l'éteigniez. Vous voudrez peut-être utiliser ce mode lorsque vous serez incertain de la durée de cuisson de votre repas, ou si vous avez du temps à passer dans la cuisine et que vous souhaitez superviser la cuisson de plus près.

1. Placez le pot de grès dans la base chauffante.
2. Préparez vos ingrédients et placez-les dans le pot de grès.
3. Fixez le couvercle à la base chauffante. Branchez la base chauffante à une prise d'alimentation standard.
4. Appuyez sur la touche TEMP pour sélectionner la température FAIBLE (I) ou ÉLEVÉE (II). La température sélectionnée clignote dans l'affichage supérieur. Consultez la section « Conversion de vos recettes » pour des renseignements sur les réglages de température.
Le RÉCHAUD sert UNIQUEMENT à garder un plat déjà cuit à la température de service idéale, jusqu'à ce que vous soyez prêt à manger. NE CUISINEZ PAS en mode RÉCHAUD (🔥).
5. Appuyez sur la touche DÉMARRER/ARRÊTER (⏻) pour commencer la cuisson. La température de cuisson sélectionnée est indiquée dans l'affichage supérieur et le témoin de température correspondant s'illumine.
6. Pour modifier un réglage après avoir appuyé sur la touche DÉMARRER/ARRÊTER (⏻), vous devez effectuer vos nouvelles sélections et appuyer sur la touche DÉMARRER/ARRÊTER (⏻) afin que la mijoteuse reconnaisse les nouveaux réglages.
7. Appuyez sur la touche DÉMARRER/ARRÊTER (⏻) pour éteindre la mijoteuse. Débranchez-la de la prise murale.

Remarques concernant l'utilisation

- Si une panne de courant survient, l'affichage et les témoins clignotent au retour de l'alimentation. Tous les réglages de la mijoteuse sont effacés et doivent être réinitialisés. Cependant, la nourriture pourrait être dangereuse pour la santé. Si vous ne connaissez pas la durée de la panne, nous vous suggérons de jeter la nourriture.
- Pour les recettes qui exigent un intervalle de durée, choisissez la durée la plus près du réglage de votre mijoteuse. Par exemple, pour faire une recette qui exige une durée de cuisson de 7 à 9 heures à température FAIBLE (I), réglez votre mijoteuse à 8 heures.
- Pour éviter une surcuisson ou la sous-cuisson des aliments, remplissez toujours le pot de grès de $\frac{1}{2}$ à $\frac{3}{4}$ du rebord afin de vous conformer aux durées de cuisson (à l'exception de certains gâteaux ou tartes, et à moins d'un avis contraire d'une recette de mijoteuse). Ne remplissez pas trop le pot de grès.
- Faites toujours cuire à couvert pour la durée recommandée. Ne retirez pas le couvercle pendant les deux premières heures de cuisson.
- Portez toujours des gants de cuisson pour manipuler le couvercle.
- Débranchez l'appareil à la fin de la cuisson et avant le nettoyage.
- Ne rangez pas d'aliments dans le pot de grès de la mijoteuse.
- N'utilisez pas la mijoteuse comme réchaud.
- Le pot de grès amovible convient au four conventionnel et aux micro-ondes. N'utilisez pas le pot de grès amovible sur un brûleur au gaz ou électrique, ni sous le grill. Consultez le tableau ci-dessous.

PIÈCE	VA AU LAVE-VAISSELLE	VA AU FOUR	VA AUX MICRO-ONDES	VA SUR LE FEU
Base chauffante	Non	Non	Non	Non
Pot de grès	Oui	Oui	Oui	Non
Couvercle	Oui	Non	Non	Non
Sonde thermique	Non	Non	Non	Non
Boîtier de la sonde thermique	Oui	Non	Non	Non

F12

ENTRETIEN ET NETTOYAGE

Pot de grès et couvercle

- Avant de la nettoyer, éteignez TOUJOURS votre mijoteuse et débranchez-la de la prise électrique.
- Le pot de grès et le couvercle amovibles vont au lave-vaisselle ou peuvent être lavés à l'eau chaude savonneuse. N'utilisez pas de composé nettoyant abrasif; un linge, une éponge ou une spatule de caoutchouc viendra normalement à bout des saletés. Éliminez les taches d'eau ou autres taches à l'aide d'un nettoyant non abrasif ou du vinaigre.
- Lavez votre pot de grès à l'eau chaude tout de suite après la cuisson. Ne versez pas d'eau froide si le pot de grès est chaud. Comme toute céramique fragile, le pot de grès ne résistera pas aux changements soudains de température et pourrait craquer.
- Si le pot de grès a été préchauffé ou qu'il est chaud au toucher, n'y mettez pas d'aliments froids. Ne préchauffez pas votre mijoteuse à moins que la recette ne l'exige. Le pot de grès doit être à la température de la pièce lorsque vous y mettez des aliments, chauds ou froids.

Base chauffante

- L'extérieur de la base chauffante doit être nettoyé à l'aide d'un linge doux et de l'eau tiède savonneuse. Essuyez pour sécher. N'utilisez pas de détergent abrasif.
- MISE EN GARDE : N'immergez jamais la base chauffante.

Sonde thermique et boîtier

- La sonde thermique peut être lavée à l'eau tiède savonneuse et séchée en l'essuyant.
- Le boîtier de la sonde thermique est amovible, ce qui permet son nettoyage. Glissez le boîtier vers le haut pour le retirer.
- Le boîtier va au lave-vaisselle (panier supérieur seulement) ou peut être lavé à l'eau tiède savonneuse et séché en l'essuyant.

F13

Trucs et astuces de cuisson

Pâtes et riz

- Si vous convertissez une recette qui exige des nouilles, macaronis ou pâtes sèches, faites-les d'abord cuire sur le feu, al dente, avant de les mettre dans la mijoteuse.
- Si vous convertissez une recette qui exige du riz cuit, mélangez le riz cru avec les autres ingrédients et ajoutez $\frac{1}{4}$ tasse de liquide supplémentaire pour chaque $\frac{1}{4}$ tasse de riz cru. Pour de meilleurs résultats, utilisez du riz précuit à grain long dans la cuisine de tous les jours.

Haricots

- Les haricots doivent être ramollis complètement avant de les combiner avec des aliments sucrés ou acides. Le sucre et l'acide ont un effet durcissant sur les haricots qui les empêche de ramollir.
- Les haricots séchés, particulièrement les haricots rouges, doivent être bouillis avant d'être intégrés à la recette. Couvrez les haricots de trois fois leur volume d'eau non salée et faites bouillir. Faites bouillir 10 minutes, réduisez le feu, couvrez et laissez mijoter 1 $\frac{1}{2}$ heure, ou jusqu'à ce que les haricots soient tendres. Le trempage, si désiré, doit être effectué avant de bouillir. Jetez l'eau de trempage ou de bouillon.
- Des haricots cuits en conserve peuvent être utilisés en substitut des haricots séchés.

Légumes

- Plusieurs légumes tirent profit d'une durée de cuisson prolongée à faible température, qui permettent à leur pleine saveur d'éclorre. Ils n'ont pas tendance à surcuire dans la mijoteuse comme ce serait le cas au four ou sur le feu.
- Pour une recette combinant viandes et légumes, placez les légumes dans le pot de grès avant la viande. Les légumes prennent normalement plus de temps à cuire que la viande dans la mijoteuse.
- Placez les légumes sur les côtés ou dans le fond du pot de grès pour favoriser la cuisson. Mélangez les légumes hachés ou tranchés avec les autres ingrédients.
- Étant donné la forte saveur de l'aubergine, vous devriez étuver ou faire sauter l'aubergine avant de la mettre dans la mijoteuse.

Liquides

- Il n'est pas nécessaire d'utiliser plus d' $\frac{1}{2}$ à 1 tasse de liquide dans la plupart des cas : les jus de la viande et des légumes se préservent mieux à la mijoteuse qu'en mode de cuisson conventionnelle. Lorsque vous convertissez une recette conventionnelle en recette de mijoteuse, utilisez environ la moitié des quantités de liquide recommandées, sauf dans le cas des recettes contenant du riz cru ou des pâtes sèches (voir page précédente).

Lait

- Le lait, la crème et crème sûre peuvent se séparer pendant une cuisson prolongée. Au possible, versez-les dans la recette dans les quinze à trente dernières minutes de la cuisson, jusqu'à ce qu'ils soient intégrés et juste assez chauds.
- La soupe concentrée peut remplacer le lait et peut être cuite longtemps.

Soupes

- Certaines recettes de soupe exigent 8 à 12 tasses d'eau. Mettez d'abord les autres ingrédients de la soupe dans la mijoteuse et n'ajoutez de l'eau que pour les couvrir. Si vous désirez une soupe plus claire, ajoutez plus de liquide au moment de servir.
- Si une recette de soupe à base de lait n'exige aucun autre liquide pour la cuisson initiale, ajoutez 1 à 2 tasses d'eau. Étant donné que le lait, la crème ou la crème sûre se sépareront au-delà du point d'ébullition, mélangez-les doucement à la fin de la cuisson.

Viandes

- Éliminez le gras de la viande, essuyez-la ou rincez-la bien et séchez-la en tapotant avec du papier essuie-tout. Faites brunir la viande dans un poêlon ou une rôtissoire afin d'égoutter les gras avant la cuisson à la mijoteuse. Cela augmente en outre la saveur de votre plat.
- Les gros rôtis, poulets et jambons conviennent parfaitement à votre mijoteuse. Choisissez un rôti ou un jambon désossé de 2 à 4 livres pour une mijoteuse de 3,8 litres, de 2,5 à 5 livres pour une mijoteuse de 4,7 litres et de 3 à 6 livres pour une mijoteuse de 5,6 litres.
- Les coupes avec os comme les côtes, les surlonges ou les morceaux de dinde conviennent bien à votre mijoteuse. Faites cuire des pilons, cuisses et poitrines de dinde, jusqu'à 4 livres pour une mijoteuse de 3,8 litres, 5 livres pour une mijoteuse de 4,7 litres et 6 livres pour une mijoteuse de 5,6 litres.

- Si vous choisissez un plus petit rôti, modifiez la quantité de légumes ou de pommes de terre, de sorte que le pot de grès est plein à moitié ou aux trois quarts.
- N'oubliez jamais : la taille de la viande et la durée de cuisson recommandées ne sont que des estimations. Le poids exact d'un rôti pouvant être cuit à la mijoteuse dépend de sa coupe, de la configuration de la viande et de la structure des os.
- Coupez la viande en plus petits morceaux pour une recette avec des haricots, des fruits ou des légumes légers comme les champignons, les oignons en dés, les aubergines ou les légumes finement tranchés. Cela permettra aux aliments de cuire au même rythme.
- Les viandes maigres comme le poulet ou le filet de porc cuisent plus vite que les viandes avec plus de tissu conjonctif et de gras, comme un bloc d'épaule de bœuf ou une épaule de porc.
- La viande doit être placée de sorte qu'elle repose dans le pot de grès et ne touche pas le couvercle.
- Si vous faites cuire des viandes surgelées (comme un rôti ou un poulet), vous devez d'abord verser au moins 1 tasse de liquide tiède. Le liquide agira comme « coussin » pour empêcher le changement soudain de température. Ajoutez 4 heures de cuisson à faible température ou 2 heures à température élevée pour la plupart des recettes contenant de la viande en cube surgelée. Les grosses coupes de viande surgelée prendront peut-être plus de temps à décongeler et à attendrir.

Poissons

- Le poisson cuit rapidement et devrait être mis en fin de cuisson, pendant les quinze à soixante dernières minutes de cuisson.

Spécialités culinaires

- Les spécialités culinaires, comme les côtelettes farcies ou les roulés de viande, les cigares au chou, les poivrons farcis ou les pommes au four, peuvent être placées en une seule couche afin de cuire uniformément et de bien se présenter.

Visitez le site Web Crock-Pot® à www.crockpot.com pour plus de trucs et astuces, de questions et réponses et de recettes.

Tableau des programmes automatiques

Les programmes automatiques sont conçus pour faciliter la programmation de plats classiques à la mijoteuse. Le chapitre Plats principaux offre plusieurs recettes pour chaque programme (p. 34). Le tableau de la page suivante indique la durée totale de cuisson pour chaque programme de cuisson automatique. Le programme passera automatiquement en mode RÉCHAUD une fois le cycle terminé.

COUPE DE VIANDE	AFFICHAGE	POIDS DE LA VIANDE	DURÉE TOTALE DE CUISSON TEMP. FAIBLE	DURÉE TOTALE DE CUISSON TEMP. ÉLEVÉE
Porc 1 (avec les os)	PRK1	6-7 livres	9½ heures	7½ heures
Porc 2 (désossé)	PRK2	3-4 livres	6 heures	5 heures
Volaille	POUL	6 livres	7½ heures	6¼ heures
Boeuf	BEEF	3-4 livres	8 heures	5¾ heures
Ragoût	STEW	3 livres	6 heures	4¾ heures
Chili	CHIL	1-3 livres	6½ heures	6 heures

Conversion de vos recettes

Lorsque vous réglez votre mijoteuse, vous avez toujours la possibilité de faire cuire les aliments plus rapidement ou plus lentement en choisissant le réglage ÉLEVÉ ou FAIBLE. Lorsque vous convertissez vos propres recettes, consultez le tableau ci-dessous, qui vous suggère des durées de cuisson pour les plats classiques à la mijoteuse. Rappelez-vous que ceci n'est qu'un guide. La durée précise varie selon la quantité, la coupe de viande et les autres liquides et ingrédients. Nombre de plats de mijoteuse prennent normalement environ 3 à 4 heures à température élevée et 7 à 8 heures à faible température pour mijoter. Après cette durée, la plupart des viandes à la mijoteuse commencent à peine à s'attendrir et pourront exiger plus de temps avant que les os ne s'en détachent.

FAIBLE	ÉLEVÉE	FAIBLE	ÉLEVÉE
7 heures	3 heures	10 heures	6 heures
8 heures	4 heures	11 heures	7 heures
9 heures	5 heures	12 heures	8 heures

Recettes Smart-Set™

Déjeuner et boissons F21

<i>Pouding au pain aux baies du déjeuner</i>	F21
<i>Œufs et bacon primavera</i>	F22
<i>Gruau céréalié fruité</i>	F23
<i>Compote de fruits mélangés</i>	F24
<i>Thé Chai épicié</i>	F25
<i>Cidre cuit</i>	F25

Entrées et accompagnements F26

<i>Côtelettes asiatiques</i>	F26
<i>Champignons farcis</i>	F27
<i>Ailes de poulet Teriyaki</i>	F28
<i>Bouchées de porc piquantes au sésame</i>	F28
<i>Riz sauvage aux fruits et aux noix</i>	F29
<i>Risotto à la courge Butternut</i>	F30
<i>Asperge en paquet parchementé</i>	F31
<i>Quinoa et baies des champs</i>	F32
<i>Purée de pommes de terre à l'ail</i>	F32
<i>Polenta crémeuse au parmesan</i>	F33

Plats principaux..... F34

Volaille..... F34

<i>Souvenirs méditerranéens</i>	F34
<i>Chili à la dinde aux trois haricots</i>	F35
<i>Pot-au-feu au poulet</i>	F36
<i>Poulet rôti crémeux et prosciutto</i>	F37
<i>Poulet braisé de Bourgogne</i>	F38
<i>Poitrines de poulet farcies aux épinards</i> <i>et au fromage feta</i>	F40
<i>Poulet et artichauts</i>	F41
<i>Poulet aux oignons verts et au vin blanc</i>	F42
<i>Curry de poulet aux pêches et aux raisins</i>	F43

Porc et saucisse F45

<i>Sandwiches étirés au porc</i>	F45
<i>Burritos faciles au porc</i>	F46
<i>Picadillo au porc aigre-doux</i>	F47
<i>Surlonge de porc aux figues, abricots et</i> <i>champignons shiitakes</i>	F48
<i>Rôti de porc automnal à l'étouffée</i>	F49
<i>Rôti de porc désossé à l'ail et au romarin</i>	F50
<i>Côtelettes de porc de campagne</i>	F51
<i>Petites côtes levées de dos</i>	F52
<i>Kielbasa braisé à la bière</i>	F52
<i>Sous-marins à la saucisse et au poivre</i>	F53

Boeuf..... F54

<i>Pointe de poitrine de bœuf au whiskey</i> <i>et à l'érable</i>	F54
<i>Carne Relleno</i>	F55
<i>Bouts de côtes de bœuf revigorantes</i>	F56
<i>Ragoût à la bière aux oignons</i> <i>caramélisés et au fenouil</i>	F57
<i>Boeuf braisé réconfortant pour l'hiver</i>	F58
<i>Bifteck de flanc coréen facile</i>	F59
<i>Chili aux six poivres</i>	F60
<i>Ragoût de bœuf, de bacon et de champignons</i>	F61

Végétarien F63

<i>Chili végétarien consistant</i>	F63
<i>Ragoût aux champignons et à l'orge</i>	F64
<i>Sauce à pizza ou pour pâtes facile</i>	F65

Soupes et potages66

Soupe aux haricots noirs Chipotle	66
Soupe au curry de courge Butternut	67
Soupe tortilla au poulet	68
Le potage du mendiant	69
Soupe thaïlandaise aux crevettes avec lime et chili ...	70
Chaudrée de palourdes de la Nouvelle-Angleterre	71
Gratin de pommes de terre et de jambon	72

Fêtes et occasions spéciales72

Artichauts farcis	72
Canard au porto et aux champignons glacé aux cerises	73
Pain de maïs maison	74
Chou et corned-beef	75
Farce aux pommes, au bacon et aux pacanes rôties	76
Darnes de saumon aux agrumes	77
Jambon des Fêtes au gingembre et au bourbon	78
Dinde farcie aux pacanes et aux cerises	78
Casserole de patates douces garnies de biscuit au gingembre	79
Ragoût d'agneau au xérès et au thym	80
Gratin de pommes de terre et de jambon.....	81

Desserts82

Crème brûlée	82
Gâteau chocolat-noisettes à la polenta	83
Beurre de pomme	84
Soufflé à l'orange	85
Poires pochées au gingembre et à la cannelle	86

Déjeuner et boissons

Pouding au pain aux baies du déjeuner

1 c. à table de beurre
8 tasses de pain en cubes d'un pouce, préférablement un pain italien dense, un pain au levain ou un pain de campagne
3 tasses de fraises fraîches* tranchées
2 tasses de bleuets frais*
7 gros œufs, battus
5 à 7 tasses de lait (1 % ou plus gras) - 5 tasses pour la cuisson à faible température
1½ tasse de cassonade (2 tasses si vous faites le pouding au pain pour le dessert)
2½ c. à table de cannelle

*Si vous faites cette recette à un moment où les baies fraîches ne sont pas en saison, un mélange de baies surgelées non sucrées peut être utilisé (fraises, framboises, bleuets et mûres). Faites décongeler les baies avant de les utiliser ou prolongez légèrement la durée de cuisson si vous les prenez directement du congélateur.

1. Beurrez l'intérieur du pot de grès.
2. Déposez le pain et les baies dans le pot de grès et remuez pour mélanger.
3. Versez le reste des ingrédients dans un bol séparé et fouettez pour mélanger.
4. Versez sur le pain et les baies et remuez pour mélanger.
5. Couvrez. Faites cuire pendant 5 à 6 heures à faible température ou 3 heures à température élevée, jusqu'à ce que le pain prenne au milieu.
6. Retirez du feu. Laissez refroidir et réservez avant de servir (cela permettra au pain de réabsorber le liquide des baies, etc.).

Donne 10 à 12 portions



Œufs et bacon primavera

Aérosol de cuisson antiadhésif

3 à 4 tasses de pain croûté en dés (dés d' $\frac{3}{4}$ à 1 pouce)

$\frac{1}{2}$ livres de bacon, coupé en dés d' $\frac{1}{2}$ pouce

2 tasses de champignons frais tranchés (environ 6 onces de champignons entiers),
comme le cremini ou bella miniature

2 tasses d'épinards frais, tranchés, les tiges enlevées

8 œufs

$\frac{1}{2}$ tasse de lait

$\frac{3}{4}$ tasse de piment rouge rôtis, égouttés et hachés

1 tasse de fromage râpé, comme du cheddar ou du Monterey Jack

Sel et poivre

1. Vaporisez le pot de grès d'aérosol antiadhésif.
2. Versez le pain dans le fond du pot de grès.
3. Faites chauffer un poêlon à feu moyen et faites cuire le bacon, jusqu'à ce qu'il soit croustillant. Retirez tout sauf 1 c. à table de la graisse fondue. Mettez les champignons et les épinards et remuez pour enrober. Faites cuire de 1 à 2 minutes, ou jusqu'à ce que les épinards ramollissent.
4. Dans un autre bol, battez les œufs et le lait. Versez le reste des ingrédients et mélangez. Versez dans le pot de grès.
5. Couvrez. Faites cuire pendant $3\frac{1}{2}$ à 4 heures à faible température ou $2\frac{1}{2}$ heures à température élevée, jusqu'à ce que les œufs soient fermes mais humides au milieu.
6. Assaisonnez de sel et de poivre avant de servir.

Donne 6 à 8 portions

Gruau céréaliier fruité



Aérosol de cuisson antiadhésif ou beurre pour graisser le pot de grès

$1\frac{1}{4}$ tasse d'avoine à l'ancienne (pas à cuisson rapide)

1 tasse de barre céréalière régulière, à la cannelle ou aux pommes

2 tasses de lait, ou plus si désiré au service

1 tasse d'eau

$\frac{1}{4}$ c. à thé de sel

1 c. à thé de cannelle

$\frac{1}{4}$ tasse de pommes, pelées, écorées et coupées en cubes d'1 pouce

$\frac{1}{4}$ tasse de poires, pelées, écorées et coupées en cubes d'1 pouce

$\frac{1}{4}$ tasse de noix de Grenoble, rôties

$\frac{1}{4}$ tasse de sirop d'érable ou de cassonade (facultatif)

1. Graissez le pot de grès d'aérosol de cuisson ou de beurre.
2. Mettez l'avoine, la barre céréalière, le lait, l'eau, le sel, la cannelle et les fruits dans le pot de grès. Mélangez doucement les ingrédients.
3. Couvrez. Faites cuire pendant 2 heures à température élevée, puis pendant 1 à 2 heures à faible température.
4. Faites rôtir les noix sur une grande plaque de cuisson, sur la grille supérieure du gril, pendant environ 4 minutes. Retournez fréquemment.
5. Mélangez les noix dans le pot de grès.
6. Versez le gruau à la cuiller dans des bols et servez chaud. Ajoutez du lait, du sirop d'érable et de la cassonade, au goût.

Donne 6 à 8 portions



Cette recette est idéale pour le mode de cuisson automatique. Reportez-vous à la page 7 pour les instructions.

F22



Cette recette est idéale pour le mode de double cycle. Reportez-vous à la page 10 pour les instructions.



Cette recette est idéale pour le mode de cuisson automatique. Reportez-vous à la page 7 pour les instructions.

F23



Cette recette est idéale pour le mode de double cycle. Reportez-vous à la page 10 pour les instructions.

Compote de fruits mélangés

1 tasse d'eau
1 tasse de sucre, ou au goût
1/2 tasse de cassonade
2 tasses de pieds de rhubarbe fraîche, lavés et coupés en cubes de 2 pouces
4 tasses de fraises fraîches, rincées, décortiquées et coupées en deux
2 tasses de framboises fraîches
2 tasses de bleuets frais
2 c. à thé de vanille
1 1/2 c. à table de cannelle moulue
1/4 c. à thé de muscade moulue

1. Mélangez l'eau, les sucres et la rhubarbe dans le pot de grès.
2. Couvrez. Faites cuire 30 minutes à température élevée.
3. Mettez les fraises, les framboises et les bleuets dans le pot de grès.
4. Versez la vanille, la cannelle et la muscade sur les fruits. Remuez doucement les fruits une ou deux fois afin de bien distribuer les ingrédients. Reposez le couvercle sur le pot de grès.
5. Retirez le pot de grès de la base chauffante et laissez le mélange refroidir sans brasser. La compote peut être servie chaude, à température de la pièce ou réfrigérée. Si vous ne la consommez pas immédiatement, versez-la dans un grand bol, couvrez et réfrigérez. La compote peut demeurer au réfrigérateur jusqu'à quatre jours.

Suggestion pour le service : servez sur du pain doré, des gaufres, le yogourt, la crème glacée, un quatre-quarts ou le gruau céréalier fruité (p. 23).

Donne 8 à 10 portions

Thé Chai épicié

8 tasses d'eau
8 sacs de thé noir
1/2 à 3/4 tasse de sucre
16 clous de girofle
16 graines de cardamome entières, gousses retirées
5 bâtons de cannelle entiers
8 tranches de gingembre frais
1 tasse de lait

1. Mettez l'eau, le thé, le sucre, les clous de girofle, la cardamome, la cannelle et le gingembre dans le pot de grès. Couvrez. Faites cuire pendant 3 à 5 heures à faible température ou 2 à 2 1/2 heures à température élevée.
2. Tamisez le mélange, jetez les solides (peut être couvert et réfrigéré jusqu'à 3 jours).
3. Versez le lait juste avant de servir. Servez chaud ou glacé.

Donne 16 portions

Cidre cuit



1 gallon de cidre de pomme
1/2 tasse de cassonade
15 clous de girofle
10 piments de la Jamaïque entiers
5 bâtons de cannelle entiers

1. Mélangez tous les ingrédients dans le pot de grès.
2. Couvrez. Faites cuire pendant 30 minutes à température élevée, puis jusqu'à 5 heures à faible température. Plus les épices demeurent longtemps dans le mélange, plus forte sera l'amertume.

Donne 16 portions



Cette recette est idéale pour le mode de cuisson automatique. Reportez-vous à la page 7 pour les instructions.

F24



Cette recette est idéale pour le mode de double cycle. Reportez-vous à la page 10 pour les instructions.



Cette recette est idéale pour le mode de cuisson automatique. Reportez-vous à la page 7 pour les instructions.

F25



Cette recette est idéale pour le mode de double cycle. Reportez-vous à la page 10 pour les instructions.

Entrées et accompagnements

Côtelettes asiatiques



2 carrés complets de petites côtes levées de dos de porc
6 onces de sauce Hoisin
1 once de gingembre frais
4 onces de cerises marasquin
4 onces de vinaigre de riz
Eau pour couvrir
Oignons verts hachés

1. Séparez chaque carré de côtes en trois sections.
2. Mélangez tous les ingrédients dans le pot de grès.
3. Couvrez. Faites cuire pendant 8 à 10 heures à faible température ou 6 à 8 heures à température élevée.
4. Garnissez d'oignons verts.

Donne 6 à 8 portions

Champignons farcis

15 à 20 gros champignons, de préférence des bellas miniatures, nettoyés, le pied retiré et finement haché
2 c. à table d'huile d'olive
1/2 oignon rouge moyen, en dés très fins
2 gousses d'ail, émincées
1/2 livre de galettes de saucisse
1 c. à thé de sel
1/2 c. à thé poivre noir moulu
1/4 c. à thé de paprika
1/4 tasse de persil frais, haché finement
4 onces de fromage Gruyère, râpé

1. Dans un poêlon, faites revenir à feu moyen l'huile, l'oignon, l'ail et les pieds de champignons. Faites cuire de 2 à 3 minutes, ou jusqu'à ce que l'oignon commence à mollir.
2. Versez les galettes de saucisse et écrasez d'une cuiller de bois. Assaisonnez de sel, de poivre et de paprika. Faites cuire jusqu'à léger brunissement.
3. Transférez la saucisse dans un gros bol à mélanger, avec le persil et le fromage Gruyère. Mélangez pour incorporer les ingrédients et farcissez chaque chapeau d'1 c. à table du mélange. Déposez dans le pot de grès, couvrez et faites cuire à température élevée pendant 2 heures.

Donne 6 à 10 portions



Cette recette est idéale pour le mode de cuisson automatique. Reportez-vous à la page 7 pour les instructions.

F26



Cette recette est idéale pour le mode de double cycle. Reportez-vous à la page 10 pour les instructions.



Cette recette est idéale pour le mode de cuisson automatique. Reportez-vous à la page 7 pour les instructions.

F27



Cette recette est idéale pour le mode de double cycle. Reportez-vous à la page 10 pour les instructions.

Ailes de poulet Teriyaki

3 à 4 livres d'ailes de poulet
1/4 tasse de sauce soya
1/4 tasse de xérès
1/4 tasse de miel
1 c. à table de sauce Hoisin
1 c. à table de jus d'oranges
2 gousses d'ail, émincées
1 piment rouge Chipotle, émincé (facultatif)

1. Déposez les ailes dans le pot de grès. Mélangez le reste des ingrédients dans un bol et versez sur les ailes.
2. Couvrez. Faites cuire pendant 3 à 3 1/2 heures à faible température ou 1 1/2 à 2 heures à température élevée.

Donne 6 à 8 portions

Bouchées de porc piquantes au sésame

3 livres de longe de porc, coupée en dés de 3/4 pouce
1 boîte de 4 onces de piments verts tranchés, égouttés
1/2 tasse de sauce soya
2 c. à table de fécule de maïs
1/4 tasse de cassonade, tassée
1/4 tasse de jus de pommes
2 c. à table de vinaigre de riz
1 c. à table de graines de sésame
2 gousses d'ail, émincées
1/4 c. à thé de gingembre moulu

1. À l'aide d'un petit couteau coupant, découpez une fente dans un cube de porc et farcissez-le d'une tranche de piment vert tranché. Insérez un cure-dent sur le dessus pour retenir le piment. Répétez avec le reste du porc et déposez les cubes au fond du pot de grès.
2. Dans un bol, faites dissoudre la fécule de maïs dans la sauce soya. Intégrez le reste des ingrédients et versez sur le porc. Couvrez. Faites cuire pendant 3 à 3 1/2 heures à faible température ou 1 1/2 à 2 heures à température élevée.

Donne 6 à 8 portions

Riz sauvage aux fruits et aux noix

2 tasses de riz sauvage, rincé*
5 à 6 tasses de bouillon de poulet
1 tasse de jus d'oranges
2 c. à table de beurre, fondu
1/2 tasse de canneberges séchées
1/2 tasse de raisins, hachés
1/2 tasse d'abricots séchés, hachés
1/2 tasse d'amandes râpées, rôties
1 c. à thé de cumin
2 oignons verts, tranchés finement
2 à 3 c. à table de persil frais haché
Sel et poivre

*Si vous utilisez un mélange de riz sauvage et d'autres types de riz, la durée de cuisson pourra être réduite.

1. Mélangez le riz sauvage, les canneberges, les raisins, les abricots et les amandes dans le pot de grès.
2. Mélangez le bouillon, le jus d'oranges, le beurre et le cumin dans un bol de taille moyenne. Versez le mélange sur le riz et mélangez bien.
3. Couvrez. Faites cuire pendant 7 heures à faible température ou 2 1/2 à 3 heures à température élevée. Mélangez une fois, en ajoutant plus de bouillon chaud au besoin.
4. Une fois le riz tendre sous la dent, saupoudrez des oignons verts et du persil. Ajustez l'assaisonnement. Faites cuire pendant 10 minutes de plus et servez.

Donne 6 à 8 portions



Cette recette est idéale pour le mode de cuisson automatique. Reportez-vous à la page 7 pour les instructions.

F28



Cette recette est idéale pour le mode de double cycle. Reportez-vous à la page 10 pour les instructions.



Cette recette est idéale pour le mode de cuisson automatique. Reportez-vous à la page 7 pour les instructions.

F29



Cette recette est idéale pour le mode de double cycle. Reportez-vous à la page 10 pour les instructions.

Risotto à la courge Butternut

4 c. à table d'huile d'olive extra vierge
4 c. à table de beurre non salé
1½ tasse d'oignon Vidalia, haché
2½ tasses de risotto, tel l'Arborio Superfino
3 tasses de courge Butternut, pelée, égrenée et coupée en cubes d'1 pouce
6 tasses de bouillon de poulet
2 c. à table de basilic frais, haché
¼ tasse de fromage Pecorino Romano, et un peu d'extra pour saupoudrer
Sel et poivre

1. Dans un poêlon, à feu moyen, chauffez l'huile et le beurre et faites sauter les oignons jusqu'à ce qu'ils soient tendres, entre 6 et 8 minutes.
2. Versez le riz sur les oignons et, à l'aide d'une cuiller de bois, enrobez les grains du mélange de beurre et d'huile. Cuire en remuant à l'occasion pendant environ 4 minutes.
3. Transvidez le riz dans le pot de grès. Ajoutez la courge et le bouillon. Mélangez doucement. Couvrez. Faites cuire 2 à 3 heures à température élevée.
4. Au moment de servir, saupoudrez de basilic et du fromage en extra, au goût. Assaisonnez au goût avec du sel et du poivre fraîchement moulu.

Donne 10 à 12 portions

Asperge en paquet parchementé

Papier parchemin
1 bouquet d'asperges, le pied coupé
Sel et poivre
Une pincée de sucre
Zeste de citron
Un filet d'huile d'olive extra vierge

1. Coupez le papier parchemin en forme de gros cœur. Déposez les asperges au centre, d'un côté. Assaisonnez de sel et de poivre. Saupoudrez de sucre et de zeste de citron. Versez-y un filet d'huile d'olive.
2. Fermez la moitié du cœur par-dessus les asperges, en faisant un pli au centre. Formez un paquet, compressez et repliez les bords pour sceller.
3. Déposez les paquets dans le pot de grès. Couvrez. Faites cuire pendant 1 heure à température élevée, en vérifiant la cuisson après ½ heure. Les asperges sont prêtes lorsqu'elles sont vert éclatant et al dente. Ouvrez un paquet et servez immédiatement.

Donne 4 portions



Cette recette est idéale pour le mode de cuisson automatique. Reportez-vous à la page 7 pour les instructions.

F30



Cette recette est idéale pour le mode de double cycle. Reportez-vous à la page 10 pour les instructions.



Cette recette est idéale pour le mode de cuisson automatique. Reportez-vous à la page 7 pour les instructions.

F31



Cette recette est idéale pour le mode de double cycle. Reportez-vous à la page 10 pour les instructions.

Quinoa et baies des champs

3 tasses de quinoa importé
4 tasses de jus d'oranges
1/4 tasse de cassonade
2 c. à table de beurre
1 pincée de sel
1/2 tasse de canneberges séchées
1/2 tasse de bleutes séchés
1 c. à thé de cannelle
1 c. à thé de zeste d'orange
1/2 tasse de noix macadamia, rôties et hachées grossièrement

1. Déposez le quinoa dans un grand bol. Remplissez le bol d'eau et massez le quinoa entre vos doigts. Égouttez en un fin jet et répétez ce procédé trois fois de plus, ou jusqu'à ce qu'il n'y ait plus de mousse.
2. Transférez le quinoa dans le pot de grès. Ajoutez-y le jus, la cassonade, le beurre et le sel. Remuez doucement pour mélanger les ingrédients. Couvrez. Faites cuire 1 1/2 à 2 heures à température élevée.
3. Avant de servir, intégrez les fruits séchés, la cannelle, le zeste et les noix.

Donne 8 à 10 portions

Purée de pommes de terre à l'ail

4 livres de pommes de terre, coupées
4 à 6 gousses d'ail, pelées
3 tasses de bouillon de légumes ou de poulet, ou d'eau
1 bâton de beurre, coupé en petits morceaux
1/2 tasse de crème épaisse
Sel et poivre au goût

1. Déposez les pommes de terre et l'ail dans le pot de grès. Versez assez de bouillon dans le pot de grès pour couvrir les pommes de terre. Couvrez. Faites cuire 4 à 5 heures à température élevée, ou jusqu'à ce que les pommes de terre soient tendres.
2. Égouttez le bouillon. Mettez le beurre et la crème et pilez à l'aide d'un pilon à pommes de terre, jusqu'à la consistance désirée.
3. Assaisonnez de sel et de poivre et servez chaud.

Donne 8 à 10 portions

Polenta crémeuse au parmesan

9 tasses de bouillon de poulet ou d'eau
4 c. à table de beurre
1 feuille de laurier
3 tasses de polenta instantanée
3 tasses de parmesan râpé

1. Dans un chaudron sur le feu, amenez le bouillon de poulet ou l'eau à ébullition avec le beurre et la feuille de laurier.
2. Intégrez la polenta au fouet, dans un mouvement régulier pour empêcher la formation de grumeaux. Intégrez complètement le fromage râpé au fouet.
3. Déposez la polenta dans le pot de grès, couvrez et faites cuire à faible température pendant 25 à 30 minutes.

Donne 6 à 8 portions



Cette recette est idéale pour le mode de cuisson automatique. Reportez-vous à la page 7 pour les instructions.

F32



Cette recette est idéale pour le mode de double cycle. Reportez-vous à la page 10 pour les instructions.



Cette recette est idéale pour le mode de cuisson automatique. Reportez-vous à la page 7 pour les instructions.

F33



Cette recette est idéale pour le mode de double cycle. Reportez-vous à la page 10 pour les instructions.

Plats principaux

Volaille :

Souvenirs méditerranéens



Aérosol de cuisson antiadhésif

1 bulbe de fenouil (environ 1 à 1 1/4 livre), paré, en quartier et tranché; réservez des frondes de fenouil pour la garniture, si désiré

1 gros oignon, haché

2 carottes, hachées finement

2 gousses d'ail, émincées

1 c. à thé de sel

1 c. à thé de poivre noir grossièrement moulu

8 cuisses de poulet désossées, sans la peau, sans gras (environ 1 1/2 livre)

2 boîtes de 14 oz de bouillon de poulet

1 tasse d'orzo

1 sac de 6 onces d'épinards miniatures (environ 4 tasses)

1/3 de tasse de fromage Asiago râpé grossièrement

1. Vaporisez légèrement le pot de grès de l'aérosol de cuisson. Déposez le fenouil, les oignons, les carottes et l'ail dans le pot de grès. Mélangez-y environ la moitié du sel et du poivre. Étendez le mélange uniformément au fond du pot de grès.
2. À l'aide de cisailles de cuisine ou d'un couteau, coupez chaque cuisse de poulet en 4 à 6 morceaux. Assaisonnez les morceaux de poulet avec le reste du sel et du poivre. Déposez le poulet par-dessus le mélange de fenouil et d'oignon. Versez le bouillon de poulet sur le dessus.
3. Couvrez. Faites cuire pendant 1 heure à température élevée, puis pendant 2 heures à faible température.
4. Intégrez l'orzo. Couvrez et faites cuire pendant 1 1/2 de plus à faible température. Vérifiez si l'orzo et le poulet sont tendres. Au besoin, ajoutez 30 minutes à la cuisson.
5. Déposez les épinards sur le mélange de poulet et d'orzo. Ne mélangez pas. Couvrez et faites cuire pendant 10 à 15 minutes à faible température. Éteignez le feu. Intégrez les épinards dans le mélange de poulet et d'orzo. Si désiré, garnissez de quelques frondes de fenouil. Saupoudrez chaque portion de fromage Asiago.

Donne 6 à 8 portions

Chili à la dinde aux trois haricots



Huile d'olive

1 livre de dinde de grain

1 petit oignon, haché

1 boîte de 28 oz de tomates en dés, non égouttées

1 boîte de 15 oz de haricots garbanzo, rincés et égouttés

1 boîte de 15 oz de haricots rouges, rincés et égouttés

1 boîte de 15 oz de haricots noirs, rincés et égouttés

1 boîte de 8 oz de sauce tomate

1 boîte de 4 oz de piments chili verts moyens, hachés

1 à 2 c. à thé de poudre chili

1. Couvrez un poêlon moyen de l'huile d'olive. Faites cuire la dinde et l'oignon le poêlon, à feu moyen-élevé, en remuant pour diviser la viande, jusqu'à ce que la dinde ne soit plus de couleur rose.
2. Égouttez. Déposez le mélange de dinde dans le pot de grès.
3. Ajoutez les tomates dans leur jus, les haricots, la sauce tomate, les piments, la poudre chili. Mélangez bien.
4. Couvrez. Faites cuire pendant 6 à 8 heures à faible température ou 5 à 7 heures à température élevée.

Donne 6 à 8 portions



Cette recette est idéale pour le mode de cuisson automatique. Reportez-vous à la page 7 pour les instructions.

F34



Cette recette est idéale pour le mode de double cycle. Reportez-vous à la page 10 pour les instructions.



Cette recette est idéale pour le mode de cuisson automatique. Reportez-vous à la page 7 pour les instructions.

F35



Cette recette est idéale pour le mode de double cycle. Reportez-vous à la page 10 pour les instructions.

Pot-au-feu au poulet



1 sac de 16 oz de carottes miniatures
1 gros oignons, coupés en quartiers
4 tiges de céleri de taille moyenne, coupés en morceaux d'1 pouce
4 pommes de terre nouvelles, en quartiers
2 poulets entiers de 3 livres ou 1 poulet de 6 livres
1 boîte de 10 oz de champignons, nettoyés
1½ c. à thé de sel
1 c. à thé de poivre noir fraîchement moulu
½ tasse d'eau, de vin blanc ou de bouillon de poulet
3 tiges de thym frais

1. Déposez les carottes, l'oignon, le céleri et les pommes de terre au fond du pot de grès.
2. Ajoutez-y le(s) poulet(s) et couvrez avec le reste des ingrédients.
3. Couvrez. Faites cuire pendant 8 à 10 heures à faible température ou 4 ½ à 6 ½ heures à température élevée.
4. Retirez le poulet et les légumes. Disposez de façon attrayante sur un plateau avant de servir.

Donne 6 à 8 portions

Poulet rôti crémeux et prosciutto



1 poulet entier de 2½ livres, assaisonné de sel et de poivre
1 petit oignon, haché finement
5 onces de prosciutto ou de bacon, en dés
½ tasse de vin blanc
1 paquet de 10 oz de pois surgelés
½ tasse de crème épaisse
1½ c. à table de fécule de maïs
2 c. à table d'eau
4 tasses de pâtes galle

1. Combinez le poulet, l'oignon, le prosciutto et le vin dans le pot de grès. Couvrez. Faites cuire pendant 7 à 9 heures à faible température ou 4 ½ à 6 ½ heures à température élevée.
2. Dans les 30 dernières minutes de cuisson, versez les pois surgelés et la crème épaisse dans le liquide du pot de grès.
3. Après la cuisson, retirez le poulet du pot de grès et tranchez la viande.
4. Combinez la fécule de maïs avec l'eau et ajoutez le mélange au liquide de la mijoteuse pour épaissir la sauce.
5. Pour servir, versez les pâtes à la cuiller dans des assiettes, déposez le poulet sur les pâtes et garnissez chaque portion de sauce.

Donne 6 portions



Cette recette est idéale pour le mode de cuisson automatique. Reportez-vous à la page 7 pour les instructions.

F36



Cette recette est idéale pour le mode de double cycle. Reportez-vous à la page 10 pour les instructions.



Cette recette est idéale pour le mode de cuisson automatique. Reportez-vous à la page 7 pour les instructions.

F37



Cette recette est idéale pour le mode de double cycle. Reportez-vous à la page 10 pour les instructions.

Poulet braisé de Bourgogne



2 poulets entiers de 3 livres chacun
5 tasses de vin rouge
8 tranches de bacon, en lanières de 1/4 pouce
8 tiges de thym
6 gousses d'ail, pelées et tranchées finement
4 tasses de chapeaux de champignons, en quartiers
4 tasses d'oignons, tranchés finement
2 c. à table de beurre
1/2 tasse de farine
2 tasses de bouillon de poulet
1 bouquet de persil italien, lavé, les tiges retirées et haché grossièrement
Sel et poivre
Polenta crémeuse au parmesan (p. 33)

1. Le jour avant de faire cuire le plat : Découpez le poulet, en laissant les poitrines sur les os. Séparez chaque patte en pilon et cuisse et coupez chaque poitrine en deux.
2. Déposez le poulet dans un contenant profond assez grand pour que tous les morceaux y reposent en une seule couche. Versez le vin par-dessus le poulet et ajoutez-y le thym et l'ail.
3. Couvrez et faites mariner au réfrigérateur pendant la nuit.
4. Faites cuire le bacon dans un poêlon, jusqu'à ce qu'il soit croustillant. Retirez le bacon à l'aide d'une cuiller percée et déposez-le dans une assiette recouverte de papier essuie-tout, en laissant le gras dans le poêlon.
5. Faites sauter les champignons dans le poêlon, jusqu'à ce qu'ils soient dorés. Mélangez les oignons avec les champignons et faites sauter jusqu'à ce qu'ils soient caramélisés.
6. Réduisez à feu doux et faites fondre le beurre dans le mélange. Incorporez ensuite la farine. Continuez la cuisson pendant 5 minutes, et assaisonnez ensuite de sel et de poivre. Retirez du feu.
7. Retirez le poulet de la marinade, assaisonnez de sel et de poivre et saupoudrez légèrement la peau de farine.

Suite de la recette à la page suivante.

Poulet braisé de Bourgogne (suite)



8. Faites sauter les morceaux de poulet, la peau vers le bas, jusqu'à ce qu'ils soient dorés. Mettez-les ensuite dans le pot de grès de la mijoteuse.
9. Versez la marinade au vin rouge dans un chaudron et amenez à douce ébullition.
Faites mijoter quelques minutes, en retirant les impuretés qui montent à la surface.
10. Ajoutez le bouillon de poulet, l'oignon caramélisé et le mélange de champignon au vin. Chauffez bien. Ajustez l'assaisonnement et versez sur le poulet.
11. Couvrez la mijoteuse et faites cuire 30 minutes à température élevée.
12. Réduisez la température et faites cuire 2 heures de plus.
13. Servez le poulet par-dessus la polenta crémeuse au parmesan (p. 33), en versant la sauce dessus à la cuiller.
14. Garnissez de bacon croustillant et de persil.

Donne 4 à 6 portions



Cette recette est idéale pour le mode de cuisson automatique. Reportez-vous à la page 7 pour les instructions.

F38



Cette recette est idéale pour le mode de double cycle. Reportez-vous à la page 10 pour les instructions.



Cette recette est idéale pour le mode de cuisson automatique. Reportez-vous à la page 7 pour les instructions.

F39



Cette recette est idéale pour le mode de double cycle. Reportez-vous à la page 10 pour les instructions.

Poitrines de poulet farcies aux épinards et au fromage feta

6 poitrines de poulet, désossées et sans la peau
8 onces de fromage feta (égoutté et séché au besoin)
3 tasses d'épinards frais, tranchés, les grosses tiges enlevées
 $\frac{1}{2}$ tasse de tomates séchées, égouttées de l'huile et hachées (si vous utilisez des tomates séchées au soleil, trempez-les dans l'eau 10 à 15 minutes, faites sécher et hachez)
 $\frac{1}{2}$ tasse d'huile d'olives préparées, avec le noyau*
1 c. à thé de zeste de citron
1 c. à thé de basilic séché, d'origan ou de menthe
 $\frac{1}{2}$ c. à thé de poudre d'ail
1 boîte de 15 oz de tomates en dés, non égouttées
Poivre noir fraîchement moulu

*Si vous utilisez des olives dénoyautées, mettez-les dans le pot de grès dans la dernière heure de cuisson.

1. Déposez 1 poitrine de poulet dans une pellicule moulante et, à l'aide d'un poêlon ou d'un attendrisseur à viande, aplatissez à environ $\frac{1}{4}$ pouce d'épaisseur. Répétez avec chacune.
2. Dans un bol séparé, combinez le fromage feta, les épinards, les tomates séchées, le zeste de citron, le basilic (ou l'origan ou la menthe), la poudre d'ail et le poivre, au goût. Mélangez bien.
3. Couchez le poulet la peau vers le bas sur la surface de travail et déposez environ 2 c. à table du mélange de feta dans l'extrémité la plus large de la poitrine. Roulez serré et répétez avec chacune.
4. Déposez le poulet roulé dans le pot de grès, la fermeture vers le bas et garnissez des tomates en dés et des olives.
5. Couvrez. Faites cuire pendant $3\frac{1}{2}$ à 4 heures à faible température ou 2 $\frac{1}{2}$ heures à température élevée. Servez chaque portion recouverte d'une cuillerée de tomates et d'olives.

Donne 6 portions

Poulet et artichauts



3 cuisses de poulet, désossées et sans la peau
16 onces de champignons frais, tranchés
2 pots de 12 onces de cœurs d'artichauts marinés, égouttés
8 gousses d'ail, pelées et tranchées grossièrement
 $\frac{1}{2}$ tasse de vin blanc ou de bouillon de poulet
Poivre noir
1 à 2 livres de spaghettis cuits

1. Déposez le poulet, les champignons, les artichauts, l'ail, le vin et le poivre noir dans le pot de grès.
2. Couvrez. Faites cuire pendant 6 à 8 heures à faible température ou 5 $\frac{1}{2}$ à 6 $\frac{1}{2}$ heures à température élevée.
3. Servez sur les pâtes.

Donne 6 portions



Cette recette est idéale pour le mode de cuisson automatique. Reportez-vous à la page 7 pour les instructions.

F40



Cette recette est idéale pour le mode de double cycle. Reportez-vous à la page 10 pour les instructions.



Cette recette est idéale pour le mode de cuisson automatique. Reportez-vous à la page 7 pour les instructions.

F41



Cette recette est idéale pour le mode de double cycle. Reportez-vous à la page 10 pour les instructions.

Poulet aux oignons verts et au vin blanc

8 à 10 cuisses de poulet désossées, sans la peau, rincées, séchées et assaisonnées de sel et de poivre

4 grosses pommes de terre Yukon Gold, en cubes de $\frac{3}{4}$ pouce

10 onces d'olives vertes espagnoles (avec le noyau), égouttées et rincées*

12 oignons verts, pelés et tranchés en deux (sur la longueur)

8 tiges d'estragon frais ou 2 c. à table d'estragon séché

8 gousses d'ail, écrasées

$\frac{3}{4}$ tasse de vin blanc

$\frac{3}{4}$ tasse de fond de poulet

1 $\frac{1}{2}$ c. à table de moutarde de Dijon

Sel et poivre

**Si vous utilisez des olives dénoyautées, mettez-les dans le pot de grès dans la dernière heure de cuisson.*

1. Mettez le poulet, les oignons verts, les olives et l'estragon dans le pot de grès.
2. Mélangez tout le reste des ingrédients, sauf la moutarde de Dijon. Fouettez pour mélanger et versez dans le pot de grès.
3. Couvrez. Faites cuire pendant 6 heures à faible température ou 4 heures à température élevée, en retournant une ou deux fois, si possible, pour assurer une cuisson uniforme.
4. Une fois les oignons verts ramollis, transférez le poulet, les oignons verts, les olives et les pommes de terre dans un plat de service et couvrez pour garder au chaud.
5. Réglez la mijoteuse à température élevée, fouettez-y la moutarde de Dijon et poursuivez la cuisson 15 minutes, en laissant le bouillon mijoter.
6. Ajuster l'assaisonnement, versez le bouillon sur le poulet, les oignons verts, les olives et les pommes de terre. Servez.

Donne 4 portions

Curry de poulet aux pêches et aux raisins*

8 à 10 cuisses de poulet désossées, sans la peau, rincées, séchées et assaisonnées de sel et de poivre

4 pêches, pelées et en tranches d' $\frac{1}{4}$ pouce, en réservant 6 tranches pour la garniture (ou 2 tasses de pêches non sucrées tranchées surgelées, en réservant 6 tranches pour la garniture)**

$\frac{2}{3}$ tasses de raisins, hachés, OU $\frac{2}{3}$ tasses de raisins de Corinthe, entiers

2 oignons verts, tranchés finement

2 c. à table d'huile d'olive

2 c. à table de gingembre frais, râpé

4 gousses d'ail, écrasées

1 c. à thé de cari

2 c. à thé de cumin

1 c. à thé de clous de girofle

$\frac{1}{2}$ tasse de fond de poulet

2 c. à table de vinaigre de cidre

$\frac{1}{2}$ c. à thé de poivre de Cayenne (au goût)

Sel et poivre

Jus de citron

**Si vous faites cette recette à un moment où les pêches fraîches ne sont pas en saison, des pêches non sucrées tranchées surgelées peuvent être utilisées. Faites décongeler les pêches avant de les utiliser ou prolongez légèrement la durée de cuisson si vous les prenez directement du congélateur.*

***Pour peler une pêche, utilisez un économiseur OU faites un X sous une pêche à l'aide d'un couteau et submergez la pêche dans l'eau mijotante pendant 10 à 20 secondes. Faites refroidir sous l'eau courante ou dans un bain d'eau glacée. Lorsque la pêche est assez froide pour être manipulée, pelez la peau à l'aide d'un couteau d'office.*

1. Rincez, séchez et assaisonnez les poitrines de poulet de sel et poivre.
2. Faites chauffer l'huile d'olive dans un poêlon et ajoutez-y le poulet pour le faire dorer légèrement, environ 3 minutes par côté.
3. Transférez le poulet dans le pot de grès et garnissez-le des pêches, des raisins (entiers ou de Corinthe) et des oignons verts.

Suite de la recette à la page suivante.



Cette recette est idéale pour le mode de cuisson automatique. Reportez-vous à la page 7 pour les instructions.

F42



Cette recette est idéale pour le mode de double cycle. Reportez-vous à la page 10 pour les instructions.



Cette recette est idéale pour le mode de cuisson automatique. Reportez-vous à la page 7 pour les instructions.

F43



Cette recette est idéale pour le mode de double cycle. Reportez-vous à la page 10 pour les instructions.

Curry de poulet aux pêches et aux raisins (suite)

4. Réservez les 8 dernières tranches de pêches enrobées dans le jus de citron et réfrigérez.
5. Mélangez le reste des ingrédients dans un bol, fouettez pour combiner et versez sur le poulet.
6. Faites cuire pendant 5 à 7 heures à faible température ou 3 à 5 heures à haute température.
7. Retirez le poulet sur un plateau de service. À l'aide d'une cuiller trouée, déposez les pêches, les raisins (entiers ou de Corinthe) et un peu de jus sur le poulet. Servez. Garnissez des pêches réservées.

Donne 4 à 5 portions

Porc et saucisse :

Sandwiches farcis au porc



Sauce :

- 5 gousses d'ail, hachées
- 2 tasses de jus d'oranges
- 2 tasses de café
- 2 tasses de cassonade
- 16 onces de ketchup
- 3 tasses de vinaigre balsamique
- 1 tasse de mélasse
- 2 c. à thé de cannelle moulue
- 1/2 c. à thé de clous de girofle moulus
- 2 canettes de bière

- 6 livres de soc de porc ou d'épaule de porc
- 10 gousses d'ail
- Sel et poivre fraîchement moulu
- 8 pains mollets

1. Combinez tous les ingrédients de la sauce dans un grand saucier et amenez à faible ébullition. Continuez la cuisson pendant 45 minutes à faible bouillon, en remuant occasionnellement pour empêcher que les sucres ne collent au fond du saucier.
2. Préchauffez le four à 450° F.
3. À l'aide d'un couteau, percez de profondes fentes tout autour du porc et insérez-y les gousses d'ail. Frottez le porc d'huile et assaisonnez généreusement de sel et de poivre fraîchement moulu. Déposez le porc sur une grille et mettez-le au four 25 minutes. La forte chaleur saisira le porc tout autour et lui donnera une agréable texture croustillante.
4. Déposez le porc dans le pot de grès et couvrez-le de sauce. Couvrez. Faites cuire pendant 10 à 12 heures à faible température ou 7 à 9 heures à température élevée.
5. Farcissez les pains mollets de la farce au porc.

Donne 8 portions



Cette recette est idéale pour le mode de cuisson automatique. Reportez-vous à la page 7 pour les instructions.

F44



Cette recette est idéale pour le mode de double cycle. Reportez-vous à la page 10 pour les instructions.



Cette recette est idéale pour le mode de cuisson automatique. Reportez-vous à la page 7 pour les instructions.

F45



Cette recette est idéale pour le mode de double cycle. Reportez-vous à la page 10 pour les instructions.

Burritos faciles au porc



1 soc de porc ou épaule de porc de 6 livres, le gras enlevé
1 ou 2 bouteilles de votre sauce BBQ préférée
1 paquet (8) de coquilles à burrito
2 avocats mûrs, pelés et tranchés
1 bouquet de coriandre, équeuté (au goût)
1 à 2 tasses de fromage Monterey Jack ou Cheddar râpé
Crème sûre et salsa pour la garniture

1. Déposez le porc dans le pot de grès. Couvrez. Faites cuire pendant 10 à 12 heures à faible température ou 8 à 10 heures à température élevée (peut être fait durant la nuit).
2. Réglez le four à 400°F. Séparez la viande du gras et déposez-la dans un bol séparé. Mélangez assez de sauce BBQ pour bien humecter et imprégner la viande.
3. Roulez les burritos avec le porc BBQ, l'avocat et la coriandre. Déposez dans un plat de cuisson de verre de 9x13 pouces.
4. Gratinez avec le fromage et mettez au four. Faites cuire de 5 à 10 minutes, ou jusqu'à ce que le repas soit cuit et le fromage fondu. Garnissez de crème sûre et de salsa.

Donne 6 à 8 portions

Picadillo au porc aigre-doux

2 livres de côtelettes de porc de campagne désossées, le gras en excédent enlevé et coupées en cubes d'1 pouce*
2 c. à table d'huile d'olive
2 oignons jaunes, en dés d'1/4 pouce
4 gousses d'ail, émincées
2 boîtes de 15 oz de tomates en dés, non égouttées
6 c. à table de vinaigre de cidre
4 piments rouges Chipotle (en boîte, dans la sauce Adobo), hachés**
1 tasse de raisins, hachés
1 c. à thé de cumin
1 c. à thé de cannelle
Sel et poivre fraîchement moulu
Riz blanc préparé

*D'autres coupes de porc désossé peuvent aussi être utilisées, comme une épaule de porc parée.

**Si vous utilisez des piments Chipotle séchés, trempez-les dans l'eau tiède pour les ramollir avant de les hacher – environ 20 minutes.

1. Faites chauffer l'huile d'olive dans un poêlon, ajoutez-y les oignons et l'ail et faites sauter à feu moyen-doux jusqu'à ramollissement, environ 4 minutes.
2. Ajoutez-y le porc et faites-le brunir. Transférez le tout dans le pot de grès.
3. Dans un bol séparé, mélangez les tomates, le vinaigre de cidre, les piments Chipotle, les raisins, le cumin et la cannelle. Mélangez bien et versez sur le porc.
4. Couvrez. Faites cuire pendant 6 à 8 heures à faible température ou 3 à 5 heures à température élevée, ou jusqu'à ce que le porc soit très tendre. À l'aide des dents de deux fourchettes, déchiquetez le porc. Remettez le couvercle sur le pot de grès et faites cuire 1/2 de plus à température élevée.
5. Assaisonnez de sel et de poivre et servez sur le riz.

Donne 8 portions



Cette recette est idéale pour le mode de cuisson automatique. Reportez-vous à la page 7 pour les instructions.

F46



Cette recette est idéale pour le mode de double cycle. Reportez-vous à la page 10 pour les instructions.



Cette recette est idéale pour le mode de cuisson automatique. Reportez-vous à la page 7 pour les instructions.

F47



Cette recette est idéale pour le mode de double cycle. Reportez-vous à la page 10 pour les instructions.

Surlonge de porc aux figues, abricots et champignons shiitakes



3 livres de filet de porc, rincé, séché et le gras excédentaire ou la pellicule argentée retirés

2 c. à table d'huile d'olive

3 gros oignons Vidalia, en tranches d' $\frac{1}{4}$ pouce

2 tasses de champignons shiitakes tranchés (4 ou 5 chapeaux de champignon)

20 figues séchées

1 tasse d'abricots séchés, hachés

3 c. à table de vinaigre balsamique

$\frac{1}{2}$ tasse de fond de poulet

2 c. à table de sauge fraîche, hachée

Sel et poivre fraîchement moulu

1. Faites chauffer l'huile d'olive dans un poêlon. Assaisonnez le filet de porc de sel et de poivre. Saisissez tous les côtés dans le poêlon et retirez du feu.
2. Étendez les oignons dans le fond du pot de grès, déposez le filet sur le dessus et ajoutez les champignons, figues et abricots.
3. Dans un bol séparé, combinez le vinaigre balsamique, le fond et la sauge. Versez sur les autres ingrédients.
4. Couvrez. Faites cuire pendant 6 à 8 heures à faible température ou 3 à 5 heures à température élevée, en remuant les ingrédients à plusieurs reprises pour assurer une cuisson uniforme, jusqu'à ce que la viande soit tendre et que les oignons aient ramolli.
5. Retirez le filet et laissez reposer 5 minutes. Ajustez l'assaisonnement au goût et coupez en tranches de $\frac{3}{4}$ pouce. Pour servir, garnissez le porc de figues, d'abricots et de champignons et du bouillon.

Donne 4 à 6 portions

Rôti de porc automnal à l'étouffée



2 longes de porc désossées, d'environ 2 à 3 livres chacune

4 pommes, pelées, écorées et tranchées

2 gros oignons, pelés et tranchés

Sel et poivre fraîchement moulu au goût

1. Assaisonnez généreusement les longes de porc avec du sel et du poivre fraîchement moulu.
2. Déposez le porc au fond du pot de grès et mettez les pommes et les oignons sur le dessus.
3. Couvrez. Faites cuire pendant 10 à 12 heures à faible température ou 6 à 8 heures à température élevée, jusqu'à ce que les viandes se détachent facilement. Transférez le porc sur une surface à découper et laissez reposer 10 minutes avant de trancher en morceaux d' $\frac{1}{2}$ à $\frac{3}{4}$ pouce.
4. Garnissez les tranches de porc de pommes et d'oignons.

Donne 10 à 12 portions



Cette recette est idéale pour le mode de cuisson automatique. Reportez-vous à la page 7 pour les instructions.

F48



Cette recette est idéale pour le mode de double cycle. Reportez-vous à la page 10 pour les instructions.



Cette recette est idéale pour le mode de cuisson automatique. Reportez-vous à la page 7 pour les instructions.

F49



Cette recette est idéale pour le mode de double cycle. Reportez-vous à la page 10 pour les instructions.

Rôti de porc désossé à l'ail et au romarin



2 longes de porc désossées, d'environ 2 à 3 livres chacune, rincées et séchées en tapotant

6 c. à table d'huile d'olive

8 gousses d'ail, émincées

1 c. à table de romarin frais, haché

1 citron, en tranches de $\frac{1}{8}$ à $\frac{1}{4}$ pouce

$\frac{1}{4}$ tasse de vin blanc

$\frac{1}{2}$ tasse de fond de poulet

Sel et poivre cachet

Ficelle de boucher

1. Déposez les longes de porc sur votre surface de travail et assaisonnez généreusement de sel et de poivre fraîchement moulu.
2. Dans un bol séparé, combinez 2 c. à table d'huile d'olive, l'ail et le romarin. Frottez-en le porc.
3. Roulez et attachez le porc bien serré à l'aide de la ficelle de boucher. Insérez les tranches de citron sous la ficelle et aux extrémités du rôti.
4. Faites chauffer la cuillerée à table d'huile d'olive restante dans un poêlon à feu moyen. Saisissez les longes de porc de tous les côtés, jusqu'à ce qu'elles soient dorées. Transférez le tout dans le pot de grès.
5. Remettez le poêlon sur le feu et déglacez-le avec le vin blanc et le fond, à l'aide d'une cuiller de bois pour retirer tout morceau caramélisé. Versez sur le porc.
6. Couvrez. Faites cuire pendant 8 à 10 heures à faible température ou 5 à 7 heures à température élevée. Retirez du pot de grès. Laissez le rôti reposer 10 minutes avant de retirer la ficelle et de découper.
7. Ajustez l'assaisonnement au goût et versez les jus sur le porc tranché.

Donne 8 à 10 portions

Côtelettes de porc de campagne



3 livres de côtelettes de porc de campagne désossées, rincées et séchées en tapotant

6 pommes fermes et croquantes (comme des Granny Smith, Macouns, Galas, Braeburns), pelées, écorées et en tranches d' $\frac{1}{4}$ pouce

6 poireaux, les racines et la portion supérieure verte enlevées, en tranches d' $\frac{1}{4}$ pouce, sur le long, et rincés pour retirer toute saleté (environ 6 tasses)

$\frac{1}{4}$ tasse de vin blanc

$\frac{1}{4}$ tasse de fond de poulet

4 gousses d'ail, écrasées

2 c. à table de sauge fraîche, hachée

Sel et poivre

1. Retirez tout gras excédentaire du porc. Assaisonnez bien de sel et de poivre et transférez dans le pot de grès.
2. Déposez les poireaux et les pommes sur le dessus du porc. Dans un bol séparé, combinez le vin, le fond, l'ail, la sauge, le sel et le poivre. Mélangez et versez dans le pot de grès.
3. Couvrez. Faites cuire pendant 7 à 9 heures à faible température ou 5 à 7 heures à température élevée, jusqu'à ce que le porc soit tendre et que les pommes et les poireaux aient ramolli, en retournant une ou deux fois pour assurer une cuisson uniforme. Ajustez l'assaisonnement au goût.
4. Déposez les poireaux et les pommes à la cuiller dans un plat de service et recouvrez du porc.

Donne 4 à 6 portions



Cette recette est idéale pour le mode de cuisson automatique. Reportez-vous à la page 7 pour les instructions.

F50



Cette recette est idéale pour le mode de double cycle. Reportez-vous à la page 10 pour les instructions.



Cette recette est idéale pour le mode de cuisson automatique. Reportez-vous à la page 7 pour les instructions.

F51



Cette recette est idéale pour le mode de double cycle. Reportez-vous à la page 10 pour les instructions.

Petites côtes levées de dos

2 c. à thé de cumin moulu
2 c. à table de poudre chili
2 c. à table de cassonade
4 c. à thé de coriandre moulue
1/2 c. à thé de cannelle moulue
2 c. à thé de sel
1 c. à thé de poivre noir moulu
4 à 6 livres de petites côtes levées de dos de porc
2/3 tasse de bourbon
1/2 tasse de cassonade, tassée
1/2 tasse de sauce chili

1. Dans un petit bol, mélangez le cumin, la poudre chili, 2 c. à table de sucre, la coriandre, la cannelle, le sel et le poivre. Remuez pour bien mélanger et frottez partout sur les côtes.
2. Déposez les côtes dans le pot de grès. Dans un petit bol, mélangez le bourbon, 1/2 tasse de sucre et la sauce chili. Versez le tout sur les côtes.
3. Couvrez. Faites cuire pendant 8 à 10 heures à faible température ou 4 à 6 heures à température élevée. Badigeonnez les côtes de sauce à l'occasion.

Donne 8 portions

Kielbasa braisé à la bière

5 tranches de kielbasa, en tranches d'1/2 pouce
1 canette de bière
2 tasses de cassonade

1. Placez les kielbasa dans le pot de grès.
2. Combinez la bière et la cassonade et versez sur les kielbasa.
3. Couvrez. Faites cuire pendant 7 à 8 heures à faible température ou 4 à 5 heures à température élevée.

Donne 12 à 15 portions

Sous-marins à la saucisse et au poivre

6 gros poivrons rouges, tranchés finement
4 oignons jaunes, tranchés finement
1/4 à 1/2 tasse d'huile d'olive extra vierge, séparée
1 c. à table d'origan séché
2 c. à thé flocons de persil séché
2 c. à thé de sel
1 c. à thé de poivre noir moulu
1 c. à thé de flocons de poivre rouge (facultatif)
4 livres de saucisses italiennes douces ou épicées
Pain à sous-marin

1. Déposez les piments tranchés et les oignons dans le pot de grès. Aspergez de 2 c. à table d'huile d'olive. Ajoutez les assaisonnements. Remuez pour bien mélanger.
2. Dans un poêlon, à feu moyen-élevé, versez le reste de l'huile et faites brunir les saucisses en lot, en ajoutant plus d'huile d'olive au besoin.
3. Déposez les saucisses sur les légumes dans le pot de grès. Couvrez et faites cuire pendant 4 à 6 heures à faible température ou 2 à 4 heures à haute température. Retirez une saucisse, déposez-la dans un pain à sous-marin et couvrez-la de piments et d'oignons. Répétez avec le reste des saucisses et des légumes.

Donne 10 à 12 portions



Cette recette est idéale pour le mode de cuisson automatique. Reportez-vous à la page 7 pour les instructions.

F52



Cette recette est idéale pour le mode de double cycle. Reportez-vous à la page 10 pour les instructions.



Cette recette est idéale pour le mode de cuisson automatique. Reportez-vous à la page 7 pour les instructions.

F53



Cette recette est idéale pour le mode de double cycle. Reportez-vous à la page 10 pour les instructions.

Bœuf :

Pointe de poitrine de bœuf au whiskey et à l'érable



2 pointes de poitrine de bœuf, d'environ 2 à 2 1/2 livres chacune, entaillées des deux côtés à l'aide d'un couteau

1/4 tasse d'huile d'olive

1 tasse de sirop d'érable

1/4 tasse de whiskey

1/4 tasse de cassonade

2 c. à table de purée de tomates

2 oranges, zestées et le jus extrait

4 gousses d'ail, écrasées

8 fines tranches de gingembre frais (1/16 pouce d'épaisseur)

2 c. à table de poivre de Cayenne

2 c. à table de gros sel

1 c. à table de poivre noir fraîchement moulu

1. Combinez le piment de Cayenne, le sel et le poivre noir moulu. Frottez le mélange sur les pointes de poitrine et déposez les pointes dans un sac à fermeture éclair, un bol ou un autre contenant.
2. Versez le reste des ingrédients dans un bol séparé et mélangez. Versez sur les pointes de poitrine et faites mariner pendant 2 heures ou toute la nuit.
3. Transférez les pointes de poitrine et la marinade dans le pot de grès. Couvrez. Faites cuire pendant 9 à 12 heures à faible température ou 4 à 6 heures à température élevée. Ajustez l'assaisonnement au goût. Découpez en fine tranche à l'encontre du grain et servez avec des cuillérées de liquide sur les pointes de poitrine.

Donne 8 à 10 portions

Carne Relleno



2 morceaux de bifteck de flanc, d'environ 2 livres chacun, entaillés d'un côté

2 boîtes de 4 oz de piments chili verts entiers (Jalapeno)

8 onces de fromage à la crème

2 pots de 12 onces de salsa verte préparée

Ficelle pour attacher le roulé

1. Divisez le fromage à la crème entre les piments, et farcissez chaque piment.
2. Déposez les piments sur le steak, du côté non entaillé. Roulez le steak et attachez-le avec la ficelle.
3. Déposez sur le pot de grès. Versez la salsa verte sur la viande.
4. Couvrez et faites cuire pendant 6 à 9 heures à faible température ou 3 à 5 heures à haute température.
5. Retirez du pot de grès, coupez la ficelle et découpez en 6 morceaux. Pour servir, versez la sauce à la cuiller sur la viande.

Donne 10 à 12 portions



Cette recette est idéale pour le mode de cuisson automatique. Reportez-vous à la page 7 pour les instructions.

F54



Cette recette est idéale pour le mode de double cycle. Reportez-vous à la page 10 pour les instructions.



Cette recette est idéale pour le mode de cuisson automatique. Reportez-vous à la page 7 pour les instructions.

F55



Cette recette est idéale pour le mode de double cycle. Reportez-vous à la page 10 pour les instructions.

Bouts de côtes de bœuf revigorantes



8 bouts de côtes avec les os, d'environ 6 livres (ou 8 à 12 bouts de côtes désossés, d'environ 4 livres)

2 c. à table de gros sel

2 c. à thé de poivre noir fraîchement moulu

2 c. à table d'huile d'olive

4 carottes, en dés d' $\frac{1}{4}$ pouce

4 pieds de céleri, en dés d' $\frac{1}{4}$ pouce

2 gros oignons jaunes, en dés d' $\frac{1}{4}$ pouce

6 gousses d'ail, émincées

$\frac{2}{3}$ tasse de vin rouge

$\frac{2}{3}$ tasse de tomates broyées

$\frac{2}{3}$ tasses de vinaigre balsamique

3 feuilles de laurier

1. Assaisonnez chaque bout de côte de gros sel et de poivre noir fraîchement moulu et enrobez d'huile d'olive.
2. Faites chauffer 2 c. à table d'huile d'olive dans un grand poêlon. Saisissez les bouts de côtes pour les faire tout juste brunir, en lot au besoin, environ 2 à 3 minutes de chaque côté. Transférez le tout dans le pot de grès.
3. Garnissez la viande du céleri, des carottes, des oignons, de l'ail et des feuilles de laurier.
4. Dans un bol séparé, combinez le vin, les tomates broyées, le vinaigre, le sel et le poivre. Remuez pour bien mélanger. Versez dans le pot de grès.
5. Couvrez. Faites cuire pendant 8 à 10 heures à faible température ou 5 à 7 heures à température élevée, en retournant une ou deux fois, jusqu'à ce que les viandes se détachent facilement de l'os (ou qu'elles soient tendre à la fourchette si vous utilisez de la viande désossée).
6. Retirez les côtes du pot de grès. À l'aide d'un mélangeur à immersion (ou d'un mélangeur conventionnel), mettez la sauce en purée, en laissant une certaine consistance.
7. Versez la sauce sur les côtes et servez.

Donne 6 à 8 portions

Ragoût à la bière aux oignons caramélisés et au fenouil



2 c. à table de beurre non salé

2 c. à thé d'épices italiennes séchées

1 c. à thé d'estragon séché

1 livre d'oignons jaunes, tranchés finement

2 tasses de fenouil frais, haché

2 livres d'intérieur de ronde de bœuf, tranché finement

1 livre de chapeaux de champignons, coupés en deux

1 boîte de 14 oz de bouillon de boeuf

1 boîte de 14,5 oz de tomates en dés à l'ail rôti, non égouttées

1 c. à thé de paprika

1 bouteille de 12 oz de bière ambrée

1 c. à table de cassonade foncée

2 c. à thé d'assaisonnement à viande ou d'épices à frotter

1 feuille de laurier

6 tasses de riz blanc préparé

$\frac{1}{4}$ tasse de persil italien frais, haché

1. Mettez le beurre dans le pot de grès et réglez à température élevée jusqu'à ce que le beurre ait fondu. Ajoutez-y l'assaisonnement italien, l'estragon, les oignons et le fenouil. Couvrez et faites cuire pendant 15 à 20 minutes à température élevée, jusqu'à caramélisation.
2. Ajoutez-y les tranches de bœuf, les champignons, le bouillon de poulet, les tomates, le paprika, la bière ambrée, la cassonade, l'assaisonnement ou les épices à frotter et la feuille de laurier. Couvrez. Faites cuire pendant 1 heure à température élevée, puis pendant 5 heures à 6 heures à faible température.
3. Retirez la feuille de laurier. Sur un grand plateau, formez un cercle avec le riz blanc et remplissez-en le centre de ragoût de bœuf. Garnissez de persil italien frais, haché.

Donne 6 à 8 portions



Cette recette est idéale pour le mode de cuisson automatique. Reportez-vous à la page 7 pour les instructions.

F56



Cette recette est idéale pour le mode de double cycle. Reportez-vous à la page 10 pour les instructions.



Cette recette est idéale pour le mode de cuisson automatique. Reportez-vous à la page 7 pour les instructions.

F57



Cette recette est idéale pour le mode de double cycle. Reportez-vous à la page 10 pour les instructions.

Boeuf braisé réconfortant pour l'hiver



- 2 carottes, pelées et séparées en moitiés
- 1 oignon moyen, pelé, les racines retirées et coupé en 4 portions
- 4 gousses d'ail, pelées et émincées
- 2 c. à table de thym frais
- 1 feuille de laurier
- 3 clous de girofle
- 1 tasse de bouillon de poulet
- 1 tasse de vin blanc sec
- 3 c. à table de purée de tomates
- 2 c. à table d'huile d'olive extra vierge
- 1/4 tasse de pancetta épaisse, en dés
- 1 bloc de rôti d'épaule de bœuf braisé de 4 livres
- Sel et poivre
- 2 c. à table de brandy
- 1/2 c. à thé de raifort préparé
- 1/2 c. à thé de moutarde de Dijon
- 2 c. à table de crème sûre
- 1 c. à thé de farine
- 2 c. à table de persil italien frais, émincé

1. Déposez les carottes, l'oignon, l'ail, les herbes et les clous de girofle dans le pot de grès.
2. Combinez le bouillon, le vin et la purée de tomates dans un bol séparé. Réservez.
3. Déposez l'huile d'olive et la pancetta dans un grand et lourd poêlon mis à feu moyen-élevé et faites-y brunir la pancetta. Retirez la pancetta et ajoutez-la au pot de grès.
4. Séchez le rôti en le tapotant avec des papiers essuie-tout et assaisonnez généreusement de sel et de poivre. Faites saisir de tous côtés dans le poêlon à feu moyen-élevé, environ 4 minutes de chaque côté.
5. Retirez le rôti et déposez-le dans le pot de grès, par-dessus les légumes. Déglacez le poêlon à feu moyen avec le mélange du bouillon, en grattant tous les morceaux de pancetta et de rôti brunis collés au poêlon.

Suite de la recette à la page suivante.

Boeuf braisé réconfortant pour l'hiver (suite)



6. Versez le liquide sur le rôti. Couvrez. Faites cuire pendant 8 à 10 heures à faible température ou 5 à 7 heures à température élevée.
 7. Retirez le rôti, les carottes et les oignons. Filtrez et réservez les liquides. À l'aide d'un écumeur ou d'un dégraisseur, retirez et jetez tout le gras du liquide. Versez dans le poêlon, faites bouillir pour réduire le liquide de moitié, pendant environ 10 minutes. Incorporez le brandy, le raifort et la moutarde.
 8. Dans un petit bol, mélangez la crème sûre et la farine. Intégrez 2 c. à table de la sauce au brandy dans le mélange de crème sûre et de farine et remettez dans le poêlon. Faites cuire à feu moyen pendant 4 à 5 minutes.
 9. Tranchez finement et servez avec la sauce et le persil en garniture.
- Donne 6 à 8 portions

Bifteck de flanc coréen facile



- 6 livres de bifteck de flanc
- 1 tasse de sauce soya
- 1/2 tasse de cassonade
- 2 à 4 c. à table de racine de gingembre fraîchement râpée
- 6 gousses d'ail, émincées
- 1 paquet d'oignons verts, émincés

1. Mélangez la sauce soya, la cassonade, la racine de gingembre, l'ail et les oignons verts dans un bol
2. À l'aide d'une fourchette, piquez la surface du steak et faites-le mariner pendant 2 heures ou toute la nuit.
3. Déposez le steak et la marinade dans le pot de grès. Couvrez et faites cuire pendant 8 à 10 heures à faible température ou 5 à 7 heures à haute température.

Donne 8 à 10 portions



Cette recette est idéale pour le mode de cuisson automatique. Reportez-vous à la page 7 pour les instructions.

F58



Cette recette est idéale pour le mode de double cycle. Reportez-vous à la page 10 pour les instructions.



Cette recette est idéale pour le mode de cuisson automatique. Reportez-vous à la page 7 pour les instructions.

F59



Cette recette est idéale pour le mode de double cycle. Reportez-vous à la page 10 pour les instructions.

Chili aux six poivres



3 livres de bœuf haché
1 boîte de 12 oz de bouillon de boeuf
1 c. à thé d'origan
3 c. à thé de poudre chili
1 c. à thé de cumin
5 gousses d'ail
2 boîtes de 12 oz de haricots Pinto, rincés et égouttés
2 boîtes de 12 oz de haricots rouges, rincés et égouttés
5 jets de sauce piquante
2 boîtes de 28 oz de tomates italiennes broyées
1 boîte de 12 oz de purée de tomates
1 c. à thé de sel
1 c. à thé de poivre noir
1 c. à thé de poivre de Cayenne
1 piment rouge, épépiné et en dés
1 piment vert, épépiné et en dés
2 piments chili Serrano, émincés
1 long piment rouge, tranché

1. Faites brunir la viande dans un grand poêlon.
2. Déposez la viande et les autres ingrédients dans le pot de grès.
3. Couvrez. Faites cuire pendant 6 à 8 heures à faible température ou 5 à 5 heures à température élevée, en remuant à l'occasion.
4. Mélangez bien avant de servir.

Donne 6 à 8 portions

Ragoût de bœuf, de bacon et de champignons



3 à 4 livres de bloc d'épaule de bœuf, coupé en morceaux d'1 pouce
1 oignon haché
2 carotte, hachée grossièrement
6 gousses d'ail, hachées grossièrement
4 feuilles de laurier
4 tiges de thym frais
10 poivres noirs entiers
2 c. à table d'huile d'olive ou d'huile végétale
1/4 livre de bacon ou de pancetta, en dés
2 oignons, hachés
2 carottes, en dés
1/4 tasse de farine
2 tasses de vin rouge
2 tasses de bouillon de bœuf
1 c. à table de purée de tomates
1 livre de champignons
2 gousses d'ail fraîches, hachées grossièrement
Sel et poivre
Persil italien fraîchement haché

1. Mélangez les sept premiers ingrédients dans un bol. Mettez à mariner au réfrigérateur pendant 12 heures. Retirez la viande de la marinade, séchez la viande en la tapotant et jetez la marinade.
2. Dans un grand poêlon, versez 1 c. à table d'huile. Mettez à feu moyen. Ajoutez-y le bacon et faites-le tout juste brunir. Retirez le bacon, en réservant le gras. Déposez le bacon dans le pot de grès.
3. Assaisonnez le bœuf de sel et de poivre et brunissez la viande, en lot au besoin, de tous les côtés. Déposez la viande dans le pot de grès.
4. Faites brièvement sauter les oignons, les carottes et les champignons dans le gras de bacon réservé, pour les faire brunir légèrement.

Suite de la recette à la page suivante



Cette recette est idéale pour le mode de cuisson automatique. Reportez-vous à la page 7 pour les instructions.

F60



Cette recette est idéale pour le mode de double cycle. Reportez-vous à la page 10 pour les instructions.



Cette recette est idéale pour le mode de cuisson automatique. Reportez-vous à la page 7 pour les instructions.

F61



Cette recette est idéale pour le mode de double cycle. Reportez-vous à la page 10 pour les instructions.

Ragoût de bœuf, de bacon et de champignons (suite)



- Intégrez la farine et faites sauter pendant 5 minutes à feu doux. Transférez les légumes dans le pot de grès.
- Intégrez le vin rouge, le bouillon de bœuf et la purée de tomates. Couvrez. Faites cuire pendant 5 à 7 heures à faible température ou 4 à 6 heures à température élevée.
- Laissez refroidir et mettez au réfrigérateur pour la nuit.
- Réglez le four à 300°F. Retirez le gras du dessus du plat et assaisonnez d'ail frais, de sel et de poivre, au goût.
- Mettez le pot de grès au four et faites cuire jusqu'à ce que le plat commence à mijoter. Mélangez et laissez mijoter 5 minutes.
- Garnissez de persil.

Donne 8 portions

Végétarien :

Chili végétarien consistant



- 1 c. à table d'huile d'olive
- 1 1/2 tasse d'oignon Vidalia, haché (ou autre gros oignon jaune doux)
- 3 gousses d'ail, émincées
- 3/4 tasse de poivron rouge, haché
- 1/2 tasse de poivron vert, haché
- 1 tasse de céleri, haché
- 1 boîte de 28 oz de tomates entières, non égouttées et hachées
- 1 boîte de 16 oz de tomates à l'étuvée, non égouttées
- 1 boîte de 15 oz de tomates en dés, égouttées
- 1 boîte de 15 oz de haricots noirs, rincés et égouttés
- 1 boîte de 15 oz de haricots pinto, rincés et égouttés
- 1 1/2 c. à table de poudre chili
- 1 c. à thé de cumin moulu
- 1 c. à thé d'origan séché
- 1 feuille de laurier
- 1/2 c. à thé de sel
- 1/2 c. à thé poivre noir
- 1 tasse de zucchini, hachés grossièrement
- 1 tasse de champignons, hachés grossièrement
- 1 paquet de grains de maïs surgelés
- 1/4 tasse de crème sûre pour la garniture (facultatif)
- 1/4 tasse de fromage Cheddar pour la garniture (facultatif)
- Riz préparé

- Faites chauffer l'huile dans un fait-tout ou un grand poêlon, à feu moyen.
- Mettez-y l'oignon, l'ail, les poivrons et le céleri.
- Faites sauter 5 minutes ou jusqu'à tendreté. Transférez au pot de grès.
- Ajoutez-y le reste des ingrédients. Couvrez. Faites cuire pendant 6 à 8 heures à faible température ou 5 à 7 heures à température élevée.
- Servez sur du riz brun ou blanc et garnissez d'une lampée de crème sûre et/ou saupoudrez de fromage râpé.

Donne 6 à 8 portions



Cette recette est idéale pour le mode de cuisson automatique. Reportez-vous à la page 7 pour les instructions.

F62



Cette recette est idéale pour le mode de double cycle. Reportez-vous à la page 10 pour les instructions.



Cette recette est idéale pour le mode de cuisson automatique. Reportez-vous à la page 7 pour les instructions.

F63



Cette recette est idéale pour le mode de double cycle. Reportez-vous à la page 10 pour les instructions.

Ragoût aux champignons et à l'orge



- 1/4 tasse d'orge perlé, rincé et vérifié*
- 1 paquet de 10 onces de champignons frais, comme les creminis, rincés et tranchés finement*
- 1 tasse de champignons séchés, des Porcini si possible, trempés dans l'eau tiède pour les ramollir, en réservant le liquide*
- 2 carottes, pelées et coupées en dés d'1/4 pouce*
- 2 pieds de céleri, en dés d'1/4 pouce*
- 1 oignon jaune, en dés d'1/4 pouce*
- 8 à 10 tasses de fond de poulet (ou de champignons)*
- 1 c. à table de thym frais*
- 2 feuilles de laurier*
- 1 c. à table de purée de tomates*
- Sel et poivre*
- 2 c. à table de persil italien*

1. Déposez tous les ingrédients, en commençant par les 8 tasses de fond et incluant le liquide réservé des champignons séchés (prenez soin d'éliminer tous les sédiments) au pot de grès. Remuez pour bien mélanger.
2. Couvrez. Faites cuire pendant 5 à 6 heures à faible température ou 3 à 5 heures à température élevée, ou jusqu'à ce que l'orge et les légumes aient ramolli. Si plus de liquide est nécessaire, ajoutez du fond (la cuisson devra être prolongée le cas échéant).
3. Assaisonnez au goût et servez en saupoudrant de persil.

Donne 8 à 10 portions

Sauce à pizza ou pour pâtes facile

- 2 gousses d'ail entières, pelées et hachées grossièrement*
- 3 c. à table d'huile d'olive*
- 3 boîtes de 28 oz de tomates italiennes pelées*
- 2 à 3 c. à table de sucre*
- Sel et poivre*
- 2 bouquets de basilic frais, coupé en rubans ou déchirés*

1. Faites chauffer l'huile d'olive dans un poêlon à frire à feu moyen. Ajoutez-y l'ail et faites-le cuire jusqu'à ce qu'il ramollisse et émette sa fragrance, en mélangeant à l'occasion et en prenant soin de ne pas le brûler, environ 2 minutes. Retirez du feu et mettez l'ail et l'huile dans le pot de grès.
2. Déposez-y les tomates et ajoutez-y le sucre. Salez et poivrez au goût. Couvrez. Faites cuire pendant 6 à 7 heures à faible température ou 3 à 4 heures à température élevée.
3. Intégrez le basilic. Mélangez avec des pâtes ou saupoudrez sur une pizza si désiré et passez le fromage.

Donne 8 à 10 portions



Cette recette est idéale pour le mode de cuisson automatique. Reportez-vous à la page 7 pour les instructions.

F64



Cette recette est idéale pour le mode de double cycle. Reportez-vous à la page 10 pour les instructions.



Cette recette est idéale pour le mode de cuisson automatique. Reportez-vous à la page 7 pour les instructions.

F65



Cette recette est idéale pour le mode de double cycle. Reportez-vous à la page 10 pour les instructions.

Soupes et potages

Soupe aux haricots noirs Chipotle*



1 livres de haricots noirs séchés, rincés, égouttés et vérifiés
2 pieds de céleri, en dés d'1/4 pouce
2 carottes, pelées et coupées en dés d'1/4 pouce
1 oignon jaune, pelé et coupé en dés d'1/4 pouce
2 piments rouges Chipotle (en boîte, dans la sauce Adobo), hachés**
1 tasse de tomates broyées
1 boîte de 4 oz de piments chili verts hachés, égouttés (doux ou moyen, au goût)
6 tasses de fond de poulet (ou de légumes)
2 c. à thé de cumin
Sel et poivre

Garniture

Crème sûre
Salsa
Coriandre fraîche, hachée

*Pour une soupe encore plus revigorante, ajoutez-y 1 tasse de saucisses épicées cuites, comme l'andouille, le chorizo ou la linguica. Ajoutez-les à la soupe une fois la soupe mise en purée et faites cuire 30 minutes de plus.

**Si vous utilisez des piments Chipotle séchés, trempez-les dans l'eau tiède pour les ramollir avant de les hacher – environ 20 minutes.

1. Déposez les haricots dans un poêlon moyen. Couvrez-les d'eau, amenez à ébullition, faites bouillir 2 minutes, retirez du feu, laissez reposer 1 heure et rincez. Déposez-les dans le pot de grès et recouvrez du céleri, des carottes et des oignons.
2. Dans un bol séparé, mélangez les piments Chipotle, les tomates broyées, les piments verts, le fond, le cumin. Salez et poivrez au goût. Mélangez et versez dans le pot de grès.

Suite de la recette à la page suivante.

Soupe aux haricots noirs Chipotle (suite)



3. Couvrez. Faites cuire pendant 1 heure à température élevée, puis pendant 6 heures à faible température, jusqu'à ce que les haricots soient tendres sous la dent. Ajustez l'assaisonnement au goût.
4. Mettez en purée avec un mélangeur à immersion (ou un mélangeur conventionnel), avec une consistance épaisse. Le cas échéant, ajoutez-y les saucisses et faites cuire 30 minutes de plus.
5. Servez garni d'une lampée de crème sûre, d'une cuillerée de salsa et saupoudré de coriandre hachée.

Donne 4 à 6 portions

Soupe au curry de courge Butternut

2 tasses de courge Butternut, rincée, pelée, égrenée et coupée en cubes d'1 pouce
1 pomme ferme et croquante (Macoun, Gala, Braeburn), pelée, écorcée et hachée
1 oignon jaune, haché
4 à 5 tasses de fond de poulet
1 c. à table de poudre de cari
1/4 c. à thé de clous de girofle moulus
Sel et poivre
1/4 tasse de canneberges séchées, hachées

1. Déposez la courge, la pomme et l'oignon dans le pot de grès.
2. Dans un bol séparé, combinez 4 tasses de fond, le cari et les clous de girofle. Mélangez. Versez le mélange sur la courge et la pomme.
3. Couvrez. Faites cuire pendant 5 à 5 1/4 heures à faible température ou 3 1/4 à 4 heures à température élevée, ou jusqu'à ce que les ingrédients aient complètement ramolli.
4. Mettez en purée avec un mélangeur à immersion (ou un mélangeur conventionnel). Salez et poivrez au goût et ajoutez du fond si la soupe est trop épaisse (vous devrez alors prolonger la cuisson).
5. Servez dans des bols saupoudrant de canneberges séchées en garniture.

Donne 6 à 8 portions



Cette recette est idéale pour le mode de cuisson automatique. Reportez-vous à la page 7 pour les instructions.

F66



Cette recette est idéale pour le mode de double cycle. Reportez-vous à la page 10 pour les instructions.



Cette recette est idéale pour le mode de cuisson automatique. Reportez-vous à la page 7 pour les instructions.

F67



Cette recette est idéale pour le mode de double cycle. Reportez-vous à la page 10 pour les instructions.

Soupe tortilla au poulet

8 cuisses de poulet désossées, sans la peau, rincées, séchées, salées et poivrées
2 boîtes de 4 oz de piments chili verts hachés, égouttés (doux ou moyen, au goût)
4 gousses d'ail, émincées
2 oignons jaunes, en dés
2 boîtes de 28 oz de tomates en dés, non égouttées
4 à 5 tasses de bouillon de poulet
2 c. à thé de cumin
Sel et poivre

Garniture

8 tortillas de maïs, en lanières d'1/4 pouce
1/4 tasse de coriandre hachée
1 tasse de fromage Monterey Jack râpé
2 avocats, en dés et mélangés avec du jus de lime, pour les empêcher de s'oxyder
2 limes

1. Déposez le poulet dans le pot de grès.
2. Dans un bol séparé, mélangez les piments, l'ail, l'oignon, les tomates, 3 tasses de bouillon de poulet et le cumin. Mélangez et versez sur le poulet.
3. Faites cuire pendant 7 à 9 heures à faible température ou 3 à 5 heures à haute température. Une fois le poulet très tendre, déchiquetez-le à l'aide des dents de deux fourchettes. Ajustez l'assaisonnement et ajoutez du bouillon de poulet si la soupe est trop épaisse. N'oubliez pas que la soupe épaissira aussi avec l'ajout des tortillas tranchées.
4. Juste avant de servir, ajoutez les tortillas tranchées et la coriandre hachée au pot de grès. Remuez pour incorporer et ramollir les tortillas. Ajustez l'assaisonnement au goût.
5. Servez dans des bols à soupe, en garnissant chacun de fromage râpé, d'avocat en dé et d'un jet de jus de lime.

Donne 8 à 10 portions

Le potage du mendiant

1/4 tasse de beurre non salé à la température de la pièce
1/4 tasse de farine tout usage
1 c. à table de sel d'ail
1 c. à soupe de thym
1 c. à soupe de paprika hongrois doux
1/2 c. à thé poivre noir moulu grossièrement
4 cuisses de dinde, avec les os, sans la peau, le gras visible retiré
Aérosol de cuisson antiadhésif
2 boîtes de 14,75 oz maïs sucré en crème
1 boîte de 10,5 oz de bouillon de poulet concentré, non dilué
1 tasse de poivron rouge, en dés
1 tasse de poivron vert, en dés
1 1/2 tasse d'oignon jaune, en dés
1 livre de chapeaux de champignons nettoyés, coupés en deux ou en quartiers s'ils sont gros
1 boîte de 14,5 oz de tomates cerises en dés, égouttées
1 1/2 tasses de crème à fouetter
1/2 tasse de coriandre ou de persil
Sel et poivre

1. Combinez le beurre, la farine, le sel d'ail, le poivre, le thym et le paprika dans un petit bol à mélanger (8 tasses). Travaillez le mélange à l'aide du dos d'une cuiller de bois pour former une pâte lisse. Frottez la pâte de tous les côtés des cuisses de dinde.
2. Vaporisez le pot de grès d'aérosol antiadhésif. Déposez les cuisses de dinde au fond du pot de grès et recouvrez de poivrons rouges et verts, d'oignon, de maïs et de bouillon de poulet.
3. Couvrez. Faites cuire 3 heures à température élevée, ou jusqu'à ce que la dinde soit tendre sous la fourchette. Retirez les cuisses de dinde du pot de grès et mettez de côté, jusqu'à ce qu'elles soient assez froides pour être manipulées.
4. Pendant que la dinde refroidit, ajoutez les champignons et les tomates au liquide dans le pot de grès. Couvrez et faites cuire pendant 1/2 heure de plus à température élevée.
5. Pendant que les champignons cuisent, désossez la dinde et séparez la viande en petits morceaux. Une fois les champignons tendres, remettez la dinde dans le potage. Versez la crème à fouetter et la coriandre ou le persil et faites cuire, couvert, jusqu'à bien chaud, environ 15 minutes de plus. Goûtez pour l'assaisonnement, salez et poivrez au goût.

Donne 8 portions



Cette recette est idéale pour le mode de cuisson automatique. Reportez-vous à la page 7 pour les instructions.

F68



Cette recette est idéale pour le mode de double cycle. Reportez-vous à la page 10 pour les instructions.



Cette recette est idéale pour le mode de cuisson automatique. Reportez-vous à la page 7 pour les instructions.

F69



Cette recette est idéale pour le mode de double cycle. Reportez-vous à la page 10 pour les instructions.

Soupe thaïlandaise aux crevettes avec lime et chili

3/4 livre de crevettes géantes crues, pelées et déveinées, en réservant les coquilles
9 tasses de bouillon de poulet hyposodique
1 tasse de carottes, en dés
3 branches de citronnelle, finement tranchées
2 pouces de racine de gingembre, pelée et râpée
2 c. à table d'ail, émincé
1 1/2 c. à table de basilic thaïlandais frais (ou de basilic)
1 1/2 c. à table de menthe fraîche
1 1/2 c. à table de coriandre finement hachée
1 piment Serrano, sans le pied, finement tranché
1 1/2 c. à thé de jus de lime frais
6 tranches fines de lime

1. Coupez les crevettes en deux sur la longueur. Mettez au réfrigérateur.
2. Déposez les coquilles de crevettes, le bouillon, les carottes, la citronnelle, les racines de gingembre et l'ail dans le pot de grès. Couvrez. Faites cuire pendant 3 1/2 à 4 1/2 heures à faible température ou 2 à 3 heures à température élevée.
3. Filtrez et réservez le bouillon, en jetant les solides. Versez le bouillon dans le pot de grès.
4. Ajoutez-y les crevettes, les herbes, les piments et le jus de limes. Couvrez. Faites cuire à température élevée jusqu'à cuisson des crevettes, environ 15 minutes. Garnissez de tranches de lime.

Donne 6 portions

Chaudrée de palourdes de la Nouvelle-Angleterre

1 livre de bacon tranché
4 oignons, hachés
2 pots de 16 onces de palourdes, dans leur jus
4 grosses gousses d'ail, émincées
12 pommes de terre nouvelles, en cubes
6 tasses de bouillon de poulet, de palourdes ou de fumet
1 c. à table de sel
2 c. à thé de poivre
1 bâtonnet de beurre
8 c. à table de farine
1 boîte de 13 onces de lait évaporé
1 à 2 tasses de crème épaisse

1. Faites sauter le bacon et les oignons dans un poêlon.
2. Déposez le bacon, les oignons, les palourdes et leur jus, l'ail, les pommes de terre, le bouillon, le sel et le poivre dans le pot de grès.
3. Couvrez. Faites cuire pendant 6 à 8 heures à faible température ou 2 à 4 heures à température élevée.
4. Faites fondre le beurre dans un poêlon à feu moyen. Intégrez la farine et faites cuire pendant 3 à 4 minutes, en remuant constamment. Réduisez le feu et intégrez le lait évaporé en fouettant. À la louche, retirez le bouillon du pot de grès et, en remuant constamment, fouettez le mélange épaissi jusqu'à ce qu'il soit lisse. Ajoutez du bouillon jusqu'à ce qu'il soit possible de verser le mélange. Versez de nouveau dans le pot de grès et remuez jusqu'à ce que le potage soit lisse. Incorporez la crème épaisse et faites chauffer. Ne faites pas mijoter.

Donne 8 à 10 portions



Cette recette est idéale pour le mode de cuisson automatique. Reportez-vous à la page 7 pour les instructions.

F70



Cette recette est idéale pour le mode de double cycle. Reportez-vous à la page 10 pour les instructions.



Cette recette est idéale pour le mode de cuisson automatique. Reportez-vous à la page 7 pour les instructions.

F71



Cette recette est idéale pour le mode de double cycle. Reportez-vous à la page 10 pour les instructions.

Soupe aux pois cassés

2 paquets de 16 onces de pois cassés séchés
2 livres de jambon cuit, en dés
14 tasses d'eau
2 oignons, hachés
4 carottes, hachées
1 1/2 c. à thé de sel
8 tiges de thym frais, le pied enlevé
1 c. à thé de poivre noir

1. Mélangez tous les ingrédients dans le pot de grès.
2. Couvrez. Faites cuire pendant 10 à 12 heures à faible température ou 5 1/2 à 7 1/2 heures à température élevée.

Donne 8 à 10 portions

Fêtes et occasions spéciales

Artichauts farcis

1 citron, tranché en quartiers
6 à 8 artichauts, lavés, le bout coupé et les tiges parées
2 tasses de chapelure
2 tasses de fromage Pecorino Romano râpé
1 gros bouquet de persil italien frais, haché
2 c. à thé de sel
1 c. à thé de poivre fraîchement moulu
2 c. à table d'huile d'olive extra vierge

1. Remplissez le pot de grès de tranches de citron et d'environ 1 1/2 pouce d'eau.
2. Dans un bol, combinez la chapelure, le fromage, le persil, le sel et le poivre. Écartez les feuilles des artichauts et remplissez généreusement les pochettes du mélange de chapelure, jusqu'aux feuilles molles, près du centre.
3. Placez les artichauts dans le plat de grès, debout. Aspergez chaque artichaut d'un filet d'huile d'olive. Couvrez. Faites cuire pendant 3 à 5 heures à faible température ou 1 1/2 à 2 1/2 heures à température élevée. Vérifiez la cuisson après 3 heures à faible température et après 1 heure à température élevée. Poursuivez la cuisson jusqu'à ce que les feuilles soient tendres et se détachent facilement du cœur.

Donne 4 portions

Canard au porto et aux champignons glacé aux cerises



4 pattes de canard, avec les os et la peau, pour environ 1 1/2 livre au total, rincées et séchées en tapotant
1 c. à table d'huile d'olive
1/4 tasse de champignons Porcini, submergés dans l'eau tiède jusqu'à ramollis, hachés grossièrement, en réservant le liquide (ou 1/4 tasses de shiitakes frais tranchés)
1/2 tasse de cerises séchées
4 gousses d'ail
3 c. à table d'abricots en conserve
1/4 tasse de porto
1 oignon vert, tranché finement
16 tiges de thym frais, 8 entières, 8 hachées (environ 1 1/2 c. à table)
2 feuilles de laurier
Gros sel et poivre fraîchement moulu
Ficelle de boucher

1. Assaisonnez les pattes de canard du gros sel et du poivre fraîchement moulu.
2. Déposez une patte de canard sur votre surface de travail, la peau vers le bas et « ouverte ».
3. Déposez 1 c. à thé de champignons, 3 à 4 cerises séchées, 2 tiges de thym et 1 gousse d'ail sur la patte. Repliez la peau sur la farce et, à l'aide de la ficelle de boucher, fermez et attachez bien la patte de canard. Répétez pour chaque patte.
4. Faites chauffer l'huile d'olive dans un poêlon à feu moyen. Faites saisir les pattes de canard pour les brunir, de 2 à 3 minutes chaque côté. Transférez le tout dans le pot de grès.
5. Dans un bol séparé, combinez le reste des champignons, 2 c. à table du liquide de champignons réservé (en évitant les sédiments), le reste des cerises, 3 c. à table d'abricots en conserve, le porto, l'oignon vert, le thym haché et les feuilles de laurier. Assaisonnez et mélangez au fouet.
6. Versez le mélange de porto sur le canard.
7. Couvrez et faites cuire pendant 6 heures à faible température, en retournant une ou deux fois.
8. Retirez le canard du pot de grès. Retirez la ficelle des pattes à l'aide de cisailles de cuisson (prenez soin de retirer toute la ficelle).
9. Versez le mélange de porto dans un tamis, en réservant les cerises, etc. Laissez le reste du liquide figer et retirez le gras. Ajoutez les cerises, etc., au liquide dégraissé, en ajustant l'assaisonnement, et versez sur les pattes de canard.

Donne 4 portions



Cette recette est idéale pour le mode de cuisson automatique. Reportez-vous à la page 7 pour les instructions.

F72



Cette recette est idéale pour le mode de double cycle. Reportez-vous à la page 10 pour les instructions.



Cette recette est idéale pour le mode de cuisson automatique. Reportez-vous à la page 7 pour les instructions.

F73



Cette recette est idéale pour le mode de double cycle. Reportez-vous à la page 10 pour les instructions.

Pain de maïs maison

Aérosol de cuisson antiadhésif

1 ¼ tasse de farine tout usage

¾ tasse de semoule de maïs jaune

¼ tasse de sucre cristallisé

1 c. à table plus 1 c. à thé de poudre à pâte

1 ½ c. à thé de sel

¼ c. à thé de poivre noir moulu

¼ à ½ c. à thé de poivre de Cayenne

1 œuf

1 tasse de lait concentré

6 c. à table de beurre fondu

1. Dans un bol de taille moyenne, mélangez la farine, la semoule de maïs, le sucre, la poudre à pâte et les assaisonnements.
2. Dans un petit bol, mélangez l'œuf, le lait et le beurre. Versez le liquide dans les ingrédients secs et remuez pour incorporer. Ne remuez pas trop.
3. Déposez la pâte à frire dans le pot de grès bien graissé. Couvrez et faites cuire 4 à 4 ½ heures à faible température ou 1 à 2 heures à température élevée, jusqu'à ce qu'un cure-dents inséré au centre ressorte propre.

Donne 6 à 8 portions

Chou et corned-beef

12 pommes de terre nouvelles, en quartiers

4 carottes, tranchées

4 livres de pointe de poitrine de corned-beef

2 oignons, tranchés

3 feuilles de laurier

8 poivres noirs entiers

1 chou pommé, en quartiers

1. Déposez les pommes de terre et les carottes au fond du plat de grès. Ajoutez-y la pointe de poitrine, l'oignon, les feuilles de laurier et les grains de poivre.
2. Versez assez d'eau pour couvrir.
3. Couvrez. Faites cuire pendant 8 à 10 heures à faible température ou 4 à 5 heures à température élevée.
4. Ajoutez le chou au plat à la moitié de la cuisson.

Donne 6 à 8 portions



Cette recette est idéale pour le mode de cuisson automatique. Reportez-vous à la page 7 pour les instructions.

F74



Cette recette est idéale pour le mode de double cycle. Reportez-vous à la page 10 pour les instructions.



Cette recette est idéale pour le mode de cuisson automatique. Reportez-vous à la page 7 pour les instructions.

F75



Cette recette est idéale pour le mode de double cycle. Reportez-vous à la page 10 pour les instructions.

Farce aux pommes, au bacon et aux pacanes rôties

8 tasses de farce au pain ou de croûtons nature (cubes d'environ 1 pouce)*

$\frac{1}{2}$ livre de bacon, coupé en dés d' $\frac{1}{4}$ pouce

1 tasse de pacanes, rôties et hachées grossièrement

1 tasse de cerises séchées (ou canneberges séchées)

2 tasses de champignons entiers, hachés (environ 1 tasse une fois hachés)

4 pieds de céleri, en dés d' $\frac{1}{4}$ pouce

2 pommes fermes et croquantes (comme des Granny Smith, Macouns, Galas, Braeburns), pelées, écorées et en dés d' $\frac{1}{4}$ pouce

2 c. à table d'huile d'olive

5 tasses de fond de poulet

2 oignons verts, pelés et émincés

2 gousses d'ail, émincées

1 c. à table sauge fraîche, émincée

Sel et poivre

**Pour faire votre propre farce au pain avec du pain frais ou d'un jour, coupez le pain en dés d'1 pouce et faites chauffer au four à 225°F jusqu'à secs, environ 15 à 20 minutes.*

1. Déposez la farce au pain, les pommes, les cerises, les pacanes et la sauge dans le pot de grès. Remuez pour combiner.
2. Dans un grand poêlon, faites chauffer l'huile d'olive dans un poêlon à feu moyen-doux. Mettez-y le céleri, les oignons verts, l'ail, les champignons et le bacon. Faites sauter jusqu'à ramollissement et brunissement léger, environ 4 à 5 minutes.
3. Déglacez le poêlon avec le fond de poulet, en retirant tout morceau du fond du poêlon à l'aide d'une cuiller de bois.
4. Versez ce mélange dans le pot de grès. Salez et poivrez au goût et remuez pour mélanger.
5. Couvrez. Faites cuire à 3 à 5 heures à température élevée, en remuant régulièrement, jusqu'à ce que le pain ramollisse et que la farce commence à se lier.

Donne 10 à 12 portions



Cette recette est idéale pour le mode de cuisson automatique. Reportez-vous à la page 7 pour les instructions.

F76



Cette recette est idéale pour le mode de double cycle. Reportez-vous à la page 10 pour les instructions.



Cette recette est idéale pour le mode de cuisson automatique. Reportez-vous à la page 7 pour les instructions.

F77



Cette recette est idéale pour le mode de double cycle. Reportez-vous à la page 10 pour les instructions.

Darnes de saumon aux agrumes

Aérosol de cuisson antiadhésif

4 darnes ou filets de saumon de 6 onces chacune, rincées et épongées

$\frac{1}{2}$ tasse d'eau

$\frac{1}{2}$ tasse de jus d'oranges

1 piment Jalapeno, épépiné et émincé

1 racine de gingembre frais de 2 pouces, râpée

1 grosse lime, tranchée finement

1 gros citron, tranché finement

1 c. à table d'huile d'olive extra vierge

Sel de mer et poivre

Tiges de coriandre fraîche et quartiers de citron, pour garnir

1. Couvrez le pot de grès d'aérosol antiadhésif. Placez les saumons bien serrés au fond, en repliant l'extrémité des filets sous elle-même pour uniformiser l'épaisseur du poisson.
2. Dans un petit poêlon, combinez l'eau, le jus d'oranges, le piment Jalapeno et le gingembre. Amenez à ébullition à feu moyen-élevé. Versez uniformément autour du poisson.
3. Arrangez la lime et le citron tranchés uniformément sur le poisson. Versez-y un filet d'huile d'olive. Salez et poivrez au goût.
4. Couvrez. Faites cuire à température élevée jusqu'à ce que le saumon soit opaque et ferme au toucher (environ 1 $\frac{1}{2}$ à 2 heures).
5. Éteignez le feu et retirez doucement le poisson du pot de grès et déposez-le sur un plateau de service. Garnissez-le de tiges de coriandre et de quartiers de citron. Servez immédiatement.

Donne 4 portions

Jambon des Fêtes au gingembre et au bourbon

1 jambon entièrement cuit, de 5 à 6 livres, la peau externe et le gras retirés, entaillé en forme de diamants d'1/4 pouces sur le dessus et les côtés
1 racine de gingembre frais de 4 pouces, pelée à la cuiller, finement râpée
1/2 tasse de bourbon
1/2 tasse de cassonade, tassée

1. Déposez le jambon dans le pot de grès. Combinez le gingembre, le bourbon et la cassonade et versez sur le jambon.
2. Couvrez. Faites cuire pendant 7 à 8 heures à faible température ou 4 à 5 heures à température élevée en badigeonnant souvent, ou jusqu'à ce que la température interne de la viande soit 160°F.

Donne 6 à 8 portions

Dinde farcie aux pacanes et aux cerises

1 poitrine de dinde désossée, fraîche ou surgelée (de 3 à 4 livres)
2 tasses de riz cuit
1/2 tasse de pacanes, hachées
1/2 tasse de cerises ou de canneberges séchées
1 c. à thé d'assaisonnement à volaille
1/4 tasse de pêches, d'abricots ou de prunes en conserve
1 c. à thé de sauce Worcestershire

1. Faites décongeler la poitrine de dinde, le cas échéant. Retirez et jetez la peau. Coupez des tranches au 3/4 de la dinde, à intervalles d'1 pouce.
2. Dans un grand bol, remuez ensemble le riz, les pacanes, les cerises et l'assaisonnement à volaille.
3. Farcissez l'espace entre les tranches du mélange de riz. Au besoin, embrochez la dinde sur le sens de la longueur pour la retenir.
4. Déposez la dinde dans le plat de grès. Couvrez. Faites cuire pendant 6 à 8 heures à faible température ou 4 1/2 à 6 1/2 heures à température élevée.
5. Mélangez les conserves et la sauce Worcestershire. Versez sur la dinde à la cuiller.
6. Couvrez. Laissez reposer 5 minutes. Retirez et jetez la broche, le cas échéant.

Donne 6 à 8 portions

Casserole de patates douces garnies de biscuit au gingembre

8 grosses patates sucrées
1 c. à table de sel
Beurre, au besoin, pour graisser le pot de grès
1 1/2 tasse de biscuits au gingembre, finement moulus au robot
1/2 tasse de cassonade, tassée
1/4 tasse de beurre, fondu
Un soupçon de muscade

1. Faites cuire ou bouillir les patates sucrées jusqu'à tendreté, et pilez bien avec 2 c. à thé de sel.
2. Graissez le fond et les côtés du pot de grès avec le beurre et versez-y les patates pilées.
3. Mélangez le reste des ingrédients dans un bol et saupoudrez-en les patates. Couvrez. Faites cuire pendant 4 à 5 heures à faible température ou 2 à 2 1/2 heures à température élevée.

Donne 8 à 10 portions



Cette recette est idéale pour le mode de cuisson automatique. Reportez-vous à la page 7 pour les instructions.

F78



Cette recette est idéale pour le mode de double cycle. Reportez-vous à la page 10 pour les instructions.



Cette recette est idéale pour le mode de cuisson automatique. Reportez-vous à la page 7 pour les instructions.

F79



Cette recette est idéale pour le mode de double cycle. Reportez-vous à la page 10 pour les instructions.

Ragoût d'agneau au xérès et au thym



1/2 tasse de farine, assaisonnée de sel et de poivre
3 livres de viande à ragoût d'agneau, en cubes d'1 pouce et le gras retiré
1/2 tasse d'huile d'olive
2 c. à table de beurre
4 pieds de céleri, en dés d'1/2 pouce
4 carottes, pelées et en dés d'1/2 pouce
6 à 8 pommes de terre Yukon Gold, en dés d'1/2 pouces (environ 2 tasses)
6 gousses d'ail, pelées et hachées
1/4 c. à thé de thym frais
1 1/2 tasse de fond
3/4 tasse de xérès
Sel et poivre
2 c. à table de persil frais émincé

1. Versez la farine assaisonnée dans un bol. Enrobez l'agneau de farine et secouez-en l'excès.
2. Faites chauffer l'huile d'olive et le beurre dans un grand poêlon. Ajoutez-y l'agneau et faites sauter jusqu'à brunissement léger, environ 4 minutes. Transférez le tout dans le pot de grès et garnissez de céleri, carottes, pommes de terre, ail et thym.
3. Remettez le poêlon sur le feu et versez-y le fond et 1/2 tasse de xérès pour déglacer, en retirant tout morceau caramélisé du poêlon à l'aide d'une cuiller de bois. Versez dans le pot de grès.
4. Couvrez. Faites cuire pendant 3 à 5 heures à faible température ou 7 à 9 heures à température élevée, jusqu'à ce que l'agneau soit tendre.
5. 1/2 heure avant la fin de la cuisson, versez le reste du xérès. Assaisonnez au goût et servez en saupoudrant de persil.

Donne 8 portions

Gratin de pommes de terre et de jambon



Aérosol de cuisson antiadhésif
6 grosses pommes de terre Russet, lavées et en rondelles d'1/4 pouce
1 boîte de crème de soupe aux champignons concentrée
1 boîte de soupe d'eau
1 steak de jambon d'environ 1 1/2 livre, en cubes
4 onces de fromage Cheddar râpé
Assaisonnement pour grillade au goût

1. Déposez les pommes de terre et le jambon en couches dans la mijoteuse vaporisée d'aérosol de cuisson antiadhésif.
2. Mélangez la soupe, l'eau, le fromage et l'assaisonnement et versez ce mélange sur le jambon et les pommes de terre. Couvrez. Faites cuire pendant 3 1/2 heures à température élevée, puis pendant 1 heure à faible température.

Donne 5 portions



Cette recette est idéale pour le mode de cuisson automatique. Reportez-vous à la page 7 pour les instructions.

F80



Cette recette est idéale pour le mode de double cycle. Reportez-vous à la page 10 pour les instructions.



Cette recette est idéale pour le mode de cuisson automatique. Reportez-vous à la page 7 pour les instructions.

F81



Cette recette est idéale pour le mode de double cycle. Reportez-vous à la page 10 pour les instructions.

Desserts

Crème brûlée

5 jaunes d'œuf
2 tasses de crème épaisse
1 gousse de vanille, séparée au centre
½ tasse de sucre
¼ tasse de sucre brut

1. Déposez des ramequins (2 ¾ pouces de largeur par 1 ¾ pouces de hauteur) dans le pot de grès. Versez l'eau autour des ramequins de sorte qu'elle leur arrive à mi-hauteur. Retirez les ramequins et préparez la crème.
2. Fouettez brièvement les jaunes d'œuf et réservez. Mettez la crème, la gousse de vanille et le sucre dans un petit saucier, à feu moyen. Remuez jusqu'à ce que le mélange commence à bouillir. Retirez du feu et laissez refroidir, laissant la gousse de vanille macérer dans la crème. Une fois le mélange refroidi, retirez la gousse, grattez-en les graines et versez-les dans le mélange. Très lentement, versez le mélange dans les jaunes d'œuf, et fouettant bien. Filtrez le mélange à travers un tamis fin.
3. Versez le mélange dans les ramequins et placez-les dans le pot de grès. Couvrez. Faites cuire 1 à 2 heures à température élevée, ou jusqu'à ce que la crème soit figée mais que son centre soit toujours mou et gélatineux. Retirez doucement les ramequins du pot de grès, laissez refroidir et réfrigérez jusqu'au moment de servir.
4. Saupoudrez généreusement chaque crème brûlée de sucre brut et brûlez-la à l'aide d'une torche, en faisant graduellement fondre et brunir le sucre en petits cercles.

Donne 5 portions

Gâteau chocolat-noisettes à la polenta

Beurre, au besoin, pour graisser le pot de grès
4 tasses de chocolat mi-sucré, fondu
2 onces de chocolat mi-sucré, en morceaux d'¼ pouce
4 c. à table de beurre, fondu
¾ tasse de sucre
2 œufs
⅓ tasse de lait
1 c. à thé de vanille
¾ tasse de semoule de maïs
¼ tasse de farine
1 c. à thé de poudre à pâte
½ c. à thé de bicarbonate de soude
1 c. à thé de cannelle
½ c. à thé de zeste d'orange
¼ tasse de noisettes, hachées finement
1 pincée de sel

1. Beurrez et enfarinez le fond et les 3 côtés inférieurs du pot de grès, en secouant tout excès de farine.
2. Dans un saucier, mélangez 4 onces de chocolat et le beurre. Transférez dans un bol à mélanger.
3. Combinez le sucre, les œufs et la vanille. Battez jusqu'à consistance légère. Ajoutez ce mélange au chocolat et mélangez.
4. Dans un bol séparé, combinez la semoule de maïs, la farine, la poudre à pâte, le bicarbonate de soude, la cannelle, le zeste d'orange, les noisettes et le sel. Mélangez bien.
5. Ajoutez en alternance le lait et le mélange de semoule de maïs au chocolat, jusqu'à intégration complète.
6. Pliez en morceaux de chocolat.
7. Versez dans le pot de grès. Couvrez et faites cuire pendant 2 ½ heures à température élevée, jusqu'à ce que le gâteau fige mais soit toujours humide en son centre.
8. Laissez refroidir et servez avec de la crème glacée ou de la crème fouettée.

Donne 6 à 8 portions



Cette recette est idéale pour le mode de cuisson automatique. Reportez-vous à la page 7 pour les instructions.

F82



Cette recette est idéale pour le mode de double cycle. Reportez-vous à la page 10 pour les instructions.



Cette recette est idéale pour le mode de cuisson automatique. Reportez-vous à la page 7 pour les instructions.

F83



Cette recette est idéale pour le mode de double cycle. Reportez-vous à la page 10 pour les instructions.

Beurre de pomme



16 tasses de pommes MacIntosh pelées, tranchées finement
4 tasses de sucre blanc cristallisé
1 c. à thé de cannelle moulue
1/4 c. à thé de clous de girofle moulus
1/4 c. à thé de sel

1. Mélangez tous les ingrédients dans le pot de grès. Couvrez. Faites cuire pendant 1 heure à température élevée, puis pendant 7 heures à faible température, ou jusqu'à ce que le beurre de pomme soit épais et brun. Remuez de temps à autre pendant la journée
2. Le beurre de pomme épaissit en refroidissant. À la cuiller, versez dans des jarres stérilisées et scellez. Lorsque scellé, il se conserve jusqu'à 1 an.

Soufflé à l'orange

1 c. à table de beurre pour enduire le pot de grès
2/3 tasse de sucre ultra fin, plus sucre en extra pour enduire le pot de grès et saupoudrer le soufflé (du sucre régulier peut être utilisé si l'ultra fin n'est pas disponible)
Zeste d'1 orange
6 c. à table de farine
1/2 t. de lait
8 jaunes d'œuf
4 c. à table de beurre non salé, à température de la pièce
6 c. à table de liqueur d'orange
1 c. à thé d'extrait de vanille
10 blancs d'œuf
1 c. à thé de sel
4 c. à table de sucre
Sauce au chocolat ou crème fouettée sucrée (facultatif)

1. Frottez l'intérieur du pot de grès de beurre non salé et saupoudrez-le de sucre ultra fin. Retournez le pot et réservez tout sucre en excédent.
2. Mélangez 2/3 tasse de sucre et le zeste d'orange au robot.
3. Mélangez la farine et le lait au fouet dans un saucier. Intégrez le sucre à l'orange en battant. Remuez à feu moyen, jusqu'à ce que la sauce épaississe. Fouettez lorsque la sauce commence à bouillir. Continuez à fouetter pendant 30 secondes. Retirez du feu. Laissez refroidir un instant avant d'intégrer les jaunes d'œuf en battant, un à la fois.
4. Ajoutez le beurre, la liqueur d'orange et l'extrait de vanille au mélange et laissez refroidir à la température de la pièce pendant 20 minutes.
5. Dans un bol propre, faites mousser les blancs d'œufs en battant. Ajoutez-y le sel et battez les œufs en pics mous. Saupoudrez 4 c. à table de sucre et battez les œufs en pics durs.
6. Pliez 1/4 tasse des blancs d'œuf dans la base. Pliez le reste des blancs d'œuf et versez le mélange dans le pot de grès enduit de sucre. Couvrez. Faites cuire 1 heure à température élevée.
7. Si désiré, saupoudrez le soufflé de sucre et brûlez à l'aide d'une torche, en faisant graduellement fondre et brunir le sucre en petits cercles.
8. Retirez à la cuiller et servez avec de la sauce au chocolat ou de la crème fouettée sucrée.

Donne 10 portions



Cette recette est idéale pour le mode de cuisson automatique. Reportez-vous à la page 7 pour les instructions.

F84



Cette recette est idéale pour le mode de double cycle. Reportez-vous à la page 10 pour les instructions.



Cette recette est idéale pour le mode de cuisson automatique. Reportez-vous à la page 7 pour les instructions.

F85



Cette recette est idéale pour le mode de double cycle. Reportez-vous à la page 10 pour les instructions.

Poires pochées au gingembre et à la cannelle

6 tasses d'eau
2 tasses de sucre cristallisé
20 tranches de gingembre
4 bâtons de cannelle
12 poires, pelées et écorées
2 c. à table de gingembre cristallisé

1. Mélangez tous les ingrédients dans le pot de grès. Couvrez. Faites cuire pendant 4 à 6 heures à faible température ou 1 1/2 à 2 heures à température élevée.
2. Retirez les poires et faites cuire à découvert 30 minutes pour que le sirop épaisse. Servez avec de la crème glacée ou un quatre-quarts, en versant des cuillerées de sirop sur les poires.

Donne 12 portions

Remarques



Cette recette est idéale pour le mode de cuisson automatique. Reportez-vous à la page 7 pour les instructions.

F86



Cette recette est idéale pour le mode de double cycle. Reportez-vous à la page 10 pour les instructions.



Cette recette est idéale pour le mode de cuisson automatique. Reportez-vous à la page 7 pour les instructions.

F87



Cette recette est idéale pour le mode de double cycle. Reportez-vous à la page 10 pour les instructions.