

ITEM# \_\_\_\_\_

PROJECT \_\_\_\_\_

DATE \_\_\_\_\_

## Airpot Coffee Brewer

### Features



**Model CWTF APS  
with Airpot\***  
*(Server sold separately)*

Dimensions: 23.6" H x 9" W x 18.5" D  
*(59.9cm H x 22.9cm W x 47cm D)*

### Airpot Coffee Brewer

- Brews 4.2 to 7.5 gallons (15.9 to 28.4 liters) of perfect coffee per hour.
- Brews directly into 1.9 to 3.8 liter airpots.
- Convenient airpots keep coffee hot and fresh for hours.
- Airpots are easily transported to remote meeting rooms, breakfast bars, etc.
- Pourover model available (CW15-APS).
- Pourover feature included on automatic models.
- Faucet available on CWTF models only.
- Gourmet funnel model available for use with heavier throw weights of coffee.
- Digital timer enables users to make brew cycle adjustments from the front panel.
- International electrical configurations available.



**Model CW APS  
with TS no base**  
*(Server sold separately)*

Dimensions: 23.6" H x 9" W x 18.5" D  
*(59.9cm H x 22.9cm W x 47cm D)*

For current specification sheets and other information, go to [www.bunn.com](http://www.bunn.com).

*\*International models may vary in appearance.*

### Related Products

#### Easy Clear® EQ-17-TL

Product No. : 30200.1000

Dimensions:

12<sup>7</sup>/<sub>16</sub>" H x 2<sup>1</sup>/<sub>2</sub>" W x 3" D  
31.6 cm H x 6.35 cm W x 7.62 cm D



#### Easy Clear® ED-17-TL

Product No. : 30201.1001

Dimensions: 8<sup>1</sup>/<sub>4</sub>" H x 2<sup>5</sup>/<sub>16</sub>" Dia.

20.95 cm H x 5.87 cm Dia.

#### Paper Filter Pack

Product No. : 20115.6000

Packed per case: 1,000

Dimensions: 4<sup>1</sup>/<sub>4</sub>" Base x 2<sup>3</sup>/<sub>4</sub>" Sidewall  
10.8 cm Base x 6.98 cm Sidewall



#### 2.2 liter Push-Button Airpot

Product No. : 28696.6000

Capacity: 74 oz. (2.2 L)

#### 2.5 liter Push-Button Airpot

Product No. : 13041.6000

Capacity: 84 oz. (2.5 L)



#### 2.5 liter Lever-Action Airpot

Product No. : 32125.0000

Capacity: 84 oz. (2.5 L)

#### 3.0 liter Lever-Action Airpot

Product No. : 32130.0000

Capacity: 102 oz. (3.0 L)



#### 3.8 liter Lever-Action Airpot

Product No. : 36725.0000

Capacity: 129 oz. (3.8 L)

#### Universal Airpot Racks

for push-button and lever-action airpots.

See page A3.9 for more information.



#### Gourmet C Funnel

Product No.: 34559.7000

(7.12 inch width)



34559.7001 (7.62 inch width)

- Universal design – handle may be moved to appropriate side
- Allows brewing with heavier throw weights of coffee.
- Paper Filter Pack  
Product No. : 20100.0000  
Packed per case: 500

#### Model

#### Agency Listing

CW APS  
CWT APS  
CWTF APS



# Dimensions & Specifications



Model	Product #	Volts	Amps	Tank Htr Watts	Total Watts	Capacity per hour	Cubic ft <sup>3</sup> /m <sup>3</sup>	Weight lbs/kg	Cord Attached
CW15-APS*+	23001.6001	120	12.1	1450	1450	4.2 gal/15.9 liter	5.1 / .14	33 / 15.0	Yes†
CW15-APS*++	23001.6000	120	12.1	1450	1450	4.2 gal/15.9 liter	5.1 / .14	33 / 15.0	Yes†
CWT15-APS+	23001.6006	120	12.1	1450	1450	4.2 gal/15.9 liter	5.1 / .14	35 / 15.9	Yes†
CWT15-APS++	23001.6007	120	12.1	1450	1450	4.2 gal/15.9 liter	5.1 / .14	35 / 15.9	Yes†
CWTF15-APS+	23001.6012	120	12.1	1450	1450	4.2 gal/15.9 liter	5.1 / .14	38 / 17.2	Yes†
CWTF15-APS++	23001.6013	120	12.1	1450	1450	4.2 gal/15.9 liter	5.1 / .14	38 / 17.2	Yes†
CWTF35-APS+	23001.6017	120/208-240	14.6	3500	3500	7.5 gal/28.42 liter	5.1 / .14	38 / 17.2	No
CWTF35-APS++	23001.6016	120/208-240	14.6	3500	3500	7.5 gal/28.42 liter	5.1 / .14	38 / 17.2	No

\*Pourover model. †Power cord (NEMA 5-15P) 15 Amp-120V machine only.

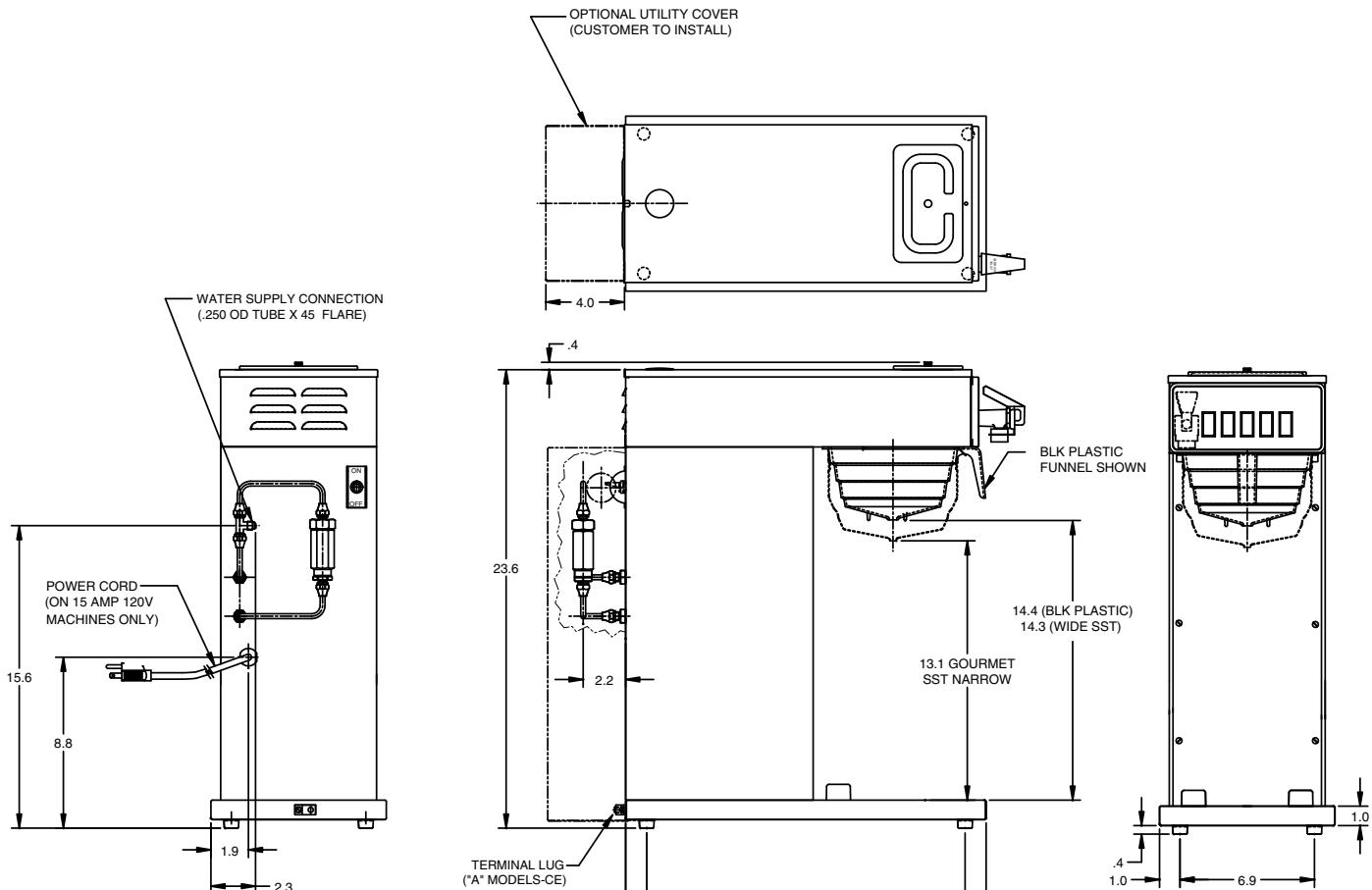
+ Black trunk and Plastic Funnel. ++ Stainless Trunk and Plastic Funnel

**Brewing capacity:** based upon incoming water temp of 60°F (140°F rise) per 1/2 gallon brew time of 4 minutes.

Models listed as 120/208V or 120/240V must be connected to 208V or 240V electrical service respectively. Please refer to the installation manual.

Electrical: CW15-APS, CWT15-APS & CWTF15-APS - require 2-wires plus ground service rated 120V, single phase, 60Hz.  
 CWT35-APS & CWTF35-APS - require 3-wires plus ground service rated 120/240V, single phase, 60Hz.

Plumbing: 20-90 psi (138-621 kPa). Supplied with 1/4" (6.4 mm) male flare fitting.



Bunn-O-Matic Corporation of Canada - 280 Industrial Pkwy. S. Aurora, Ontario L4G 3T9 • 905-841-2866 • Fax 905-841-2775 • www.bunn.com

BUNN® practices continuous product research and improvement. We reserve the right to change specifications and product design without notice. Such revisions do not entitle the buyer to corresponding changes, improvements, additions or replacements for previously purchased equipment.

All dimensions shown in inches. Bunn Corporation owns all copyrights relating to materials in this publication. Please contact Bunn Corporation to request permission to reproduce any portion of this publication.