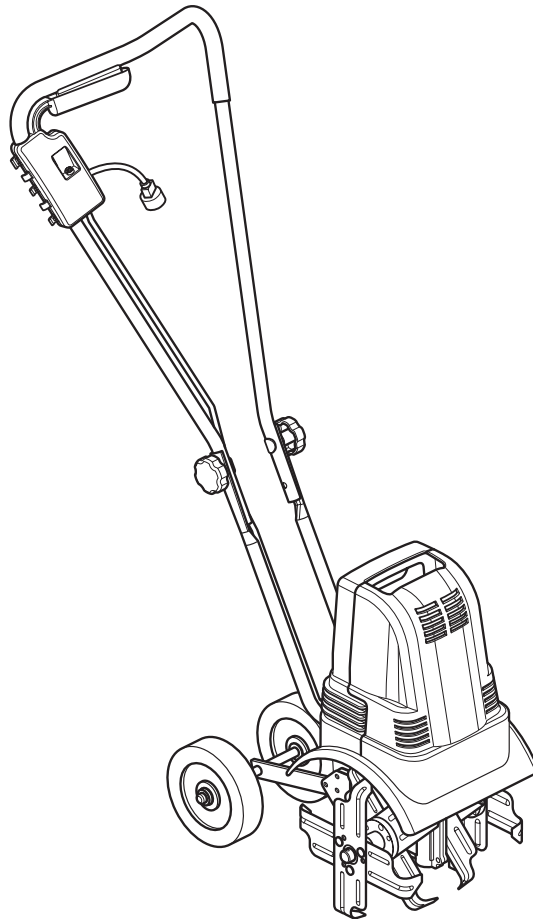


# **REMINGTON™**

## **GARDEN WIZARD™**

### **ELECTRIC TILLER**

### **OWNER'S MANUAL**



**MODEL 109312-01**

**IMPORTANT: Read and understand this manual before assembling or operating this tiller. Improper use of tiller can cause severe injury. Keep this manual for future reference.**



# REMINGTON®

## ELECTRIC TILLER

### SAFETY WARNINGS

**⚠ WARNING:** When using electric gardening appliances, basic safety precautions should always be followed to reduce the risk of fire, electric shock, and personal injury.

**⚠ WARNING:** This product contains chemicals known to the State of California to cause cancer or birth defects, or other reproductive harm.

### READ ALL INSTRUCTIONS BEFORE OPERATING TILLER

1. Do not operate tiller near underground electric cables, telephone lines, pipes, or hoses. If in doubt contact your utility company to locate underground services. You may also contact the National One Call referral number, 1-888-258-0808, for local contact information concerning underground utilities.
2. Watch what you are doing. Use common sense. Do not operate tiller when you are tired.
3. Only well-instructed adults should operate tiller. Never allow children to operate tiller.
4. Do not use the tiller for any job except that for which it is intended.
5. Use only electrical voltage noted on model plate of tiller.

**⚠ WARNING:** To reduce the risk of electric shock, use only with an extension cord intended for outdoor use, such as an extension cord of cord type SW-A, SOW-A, STW-A, STOW-A, SJW-A, SJOW-A, SJTW-A, or SJTOW-A.

6. Extension Cord - Make sure your extension cord is in good condition. When using an extension cord, be sure to use one heavy enough to carry the current your product will draw. An undersized extension cord will cause a drop in line voltage resulting in loss of power and overheating. The table below shows the cor-

rect size to use depending on cord length and nameplate ampere rating. If in doubt, use the next heavier gage. The smaller the gage number, the heavier the cord. To reduce the risk of disconnection of tiller cord from the extension cord during operation use the cord hitch and belt clip described in this manual.

Volts	Total Length of Cord in Feet			
	25	50	100	150
Ampere Rating	AWG			
10-12	16	16	14	12

7. Ground Fault Circuit Interrupter (GFCI) protection should be provided on the circuit(s) for use with this tiller. Receptacles are available with built-in GFCI protection and may be used for additional measure of safety.
8. Avoid Dangerous Environments. Do not operate tiller
  - while under the influence of alcohol, medication, or drugs.
  - in rain or in damp or wet areas.
  - where highly flammable liquids or gases are present.
  - if tiller is damaged, or not fully and securely assembled.
9. Always wear eye protection which meets or exceeds the requirements of ANSI Z87.1.
10. Always use face or dust mask if operating tiller in dusty conditions.
11. Always dress properly. Wear the following clothing while using tiller:
  - Use of rubber gloves and substantial footwear is recommended.
  - Wear protective hair covering to contain long hair.
  - Avoid wearing loose clothing or jewelry that could get caught in the rotating tines.
12. Thoroughly inspect area where the tiller is to be used and remove all foreign objects.

### WHILE OPERATING TILLER

1. Stay alert. Use common sense while operating tiller.
2. Be aware of extension cord while operating tiller. Be careful not to trip over cord. Keep cord away from tines at all times.
3. Keep all children, animals, and bystanders away from tiller and extension cord. Keep the area of operation clear of all persons and pets.
4. Grip handlebar firmly with both hands. Never operate tiller with one hand.
5. Be aware that tiller may unexpectedly bounce upward or jump forward if the tines should strike extremely hard, packed soil, frozen ground, or buried obstacles such as large stones, roots, or stumps.
6. Do not over reach. Maintain proper footing and balance at all times.
7. Do not operate tiller on a slope that is too steep for safe operation. When on slopes, slow down and make sure you have good footing.
8. **IMPORTANT:** you can stop the tines by releasing the trigger lever.
9. Before starting tiller, make sure tines are not touching foreign objects.
10. Do not allow hands or any body part or clothing near the rotating tines.
11. Move tiller from one place to another
  - with tiller stopped and unplugged.
  - by rolling on attached wheel assembly in the down "transport" position.
  - by holding carrying handle. Never use handlebars, tines, tine shaft, or fender to carry tiller.
12. Do not abuse power cord. Never carry tiller by power cord or yank it to disconnect from receptacle. Keep power cord from heat, oil, and sharp edges.
13. Do not force tiller. It will do the job better and with less likelihood of a risk of injury at the rate for which it was designed.

## SAFETY WARNINGS

*Continued*

### MAINTENANCE AND STORAGE OF TILLER

1. Unplug tiller from power source
  - when not in use.
  - before moving from one place to another.
  - before servicing.
  - before assembling or removing tines or other attachments.
2. Inspect tiller before and after each use. Check for any damage that may affect operator safety or operation of tiller. Check for broken or damaged parts. Do not use tiller if damage affects safety or operation. Have damage repaired by authorized service center.
3. Maintain tiller with care.
  - Never expose to rain or water.
  - Keep handlebar dry, clean, and free of oil or grease.
  - Keep all screws and nuts tight.
  - Inspect power cord often. If damaged, have repaired by authorized service center.
  - Inspect extension cords often and replace if damaged.
4. When servicing, use only identical replacement parts.

5. To reduce the risk of electric shock, this tiller has a polarized plug (one blade is wider than the other) and will require the use of a polarized extension cord. The tiller plug will fit into a polarized extension cord only one way. If the plug does not fit fully into the extension cord, reverse the plug. If the plug still does not fit, obtain a correct polarized extension cord. A polarized extension cord will require the use of a polarized wall outlet. This plug will fit into the polarized wall outlet only one way. If the plug does not fit fully into the wall outlet, reverse the plug. If the plug still does not fit, contact a qualified electrician to install the proper wall outlet. Do not change the tiller plug, extension cord receptacle, or extension cord plug in any way.
6. Store idle tiller indoors - when not in use, tiller should be stored in dry, locked place - out of reach of children.

This manual is your guide to safe and proper operation of this tiller. **Save these instructions.**

# REMINGTON®

## ELECTRIC TILLER

### PRODUCT IDENTIFICATION

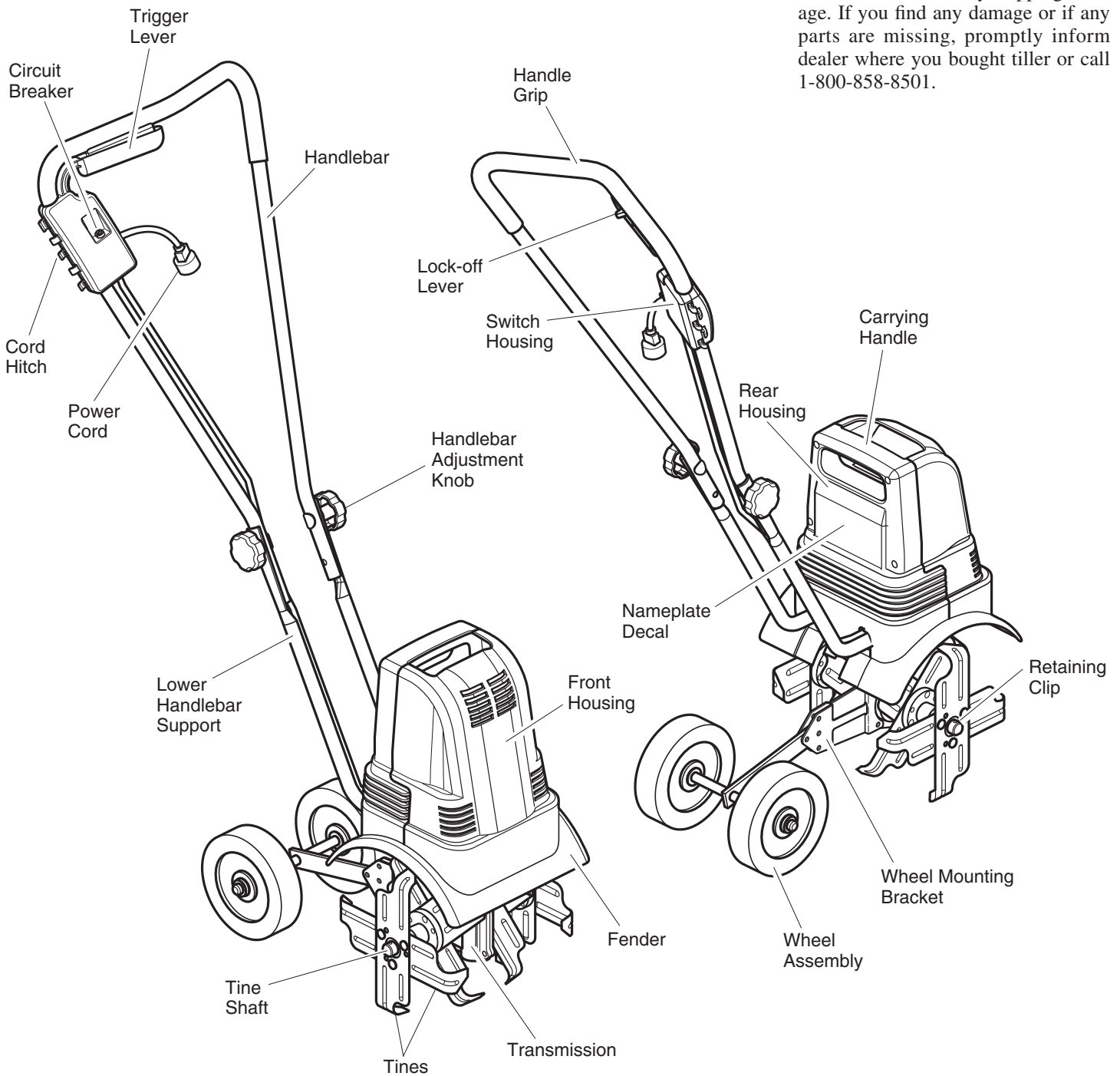


Figure 1 - Electric Tiller

### UNPACKING

1. Remove all items from carton.
2. Check all items for any shipping damage. If you find any damage or if any parts are missing, promptly inform dealer where you bought tiller or call 1-800-858-8501.

## ASSEMBLY

### UNFOLDING AND ADJUSTING HANDLEBAR

#### Unfolding Handlebar

1. Loosen handlebar adjustment knobs. Rotate the handlebar into the operating position (see Figure 2). Do not force handlebar. If there is binding, continue to loosen adjustment knobs. Be careful not to pinch power cord between handlebar and lower handlebar support.
2. Tighten handlebar adjustment knobs.

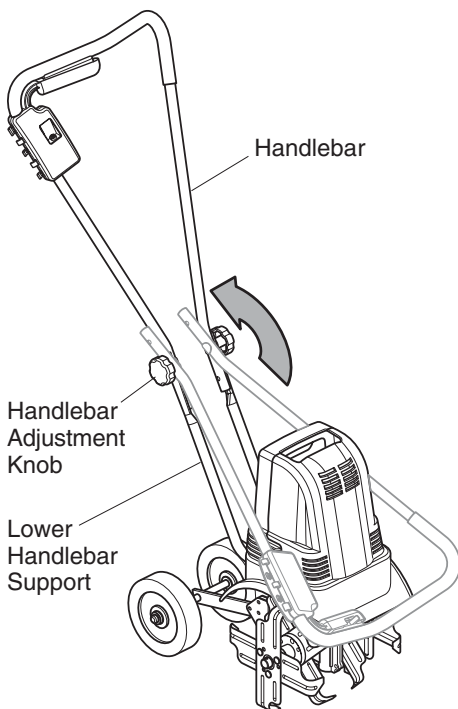


Figure 2 - Unfolding Handlebar

#### Adjusting Height of Handlebar

The handlebar has two possible height settings. The tiller is shipped with the handlebar mounted in the standard height or lowest position. If this height is too short, adjust the height of the handlebar to the extended height or highest position.

1. Loosen and remove handlebar adjustment knobs, washers, and saddle bolts from handlebar.
2. Position handlebar so that the bottom holes in the handlebar line up with the holes in the lower handlebar supports (see Figure 3). Insert the saddle bolts through the holes and reinstall the washers and handlebar knobs.
3. Tighten handlebar adjustment knobs.

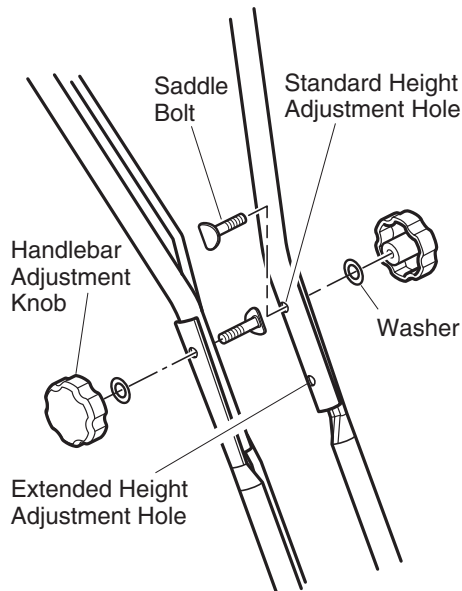


Figure 3 - Adjusting Handlebar Height

#### Folding Handlebar For Storage

1. Loosen handlebar adjustment knobs. Rotate the handlebar forward and down over the tiller housing (see Figure 4). Do not force handlebar. If there is binding, continue to loosen knobs. Be careful not to pinch power cord between handlebar and lower handlebar support.
2. Tighten handlebar adjustment knobs.

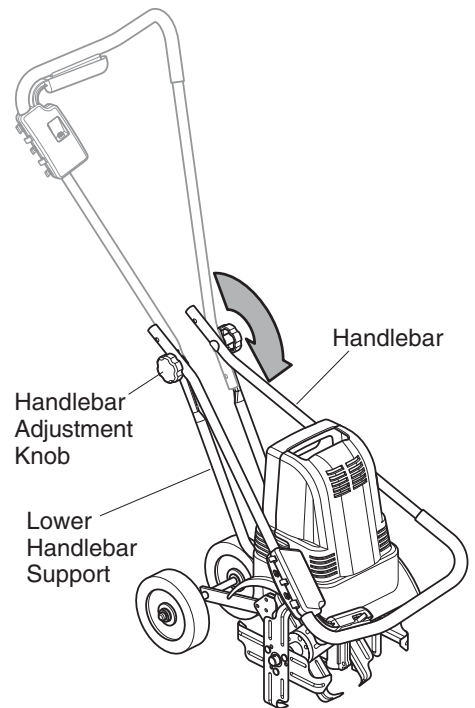


Figure 4 - Folding Handlebar Down

Continued

# REMINGTON®

## ELECTRIC TILLER

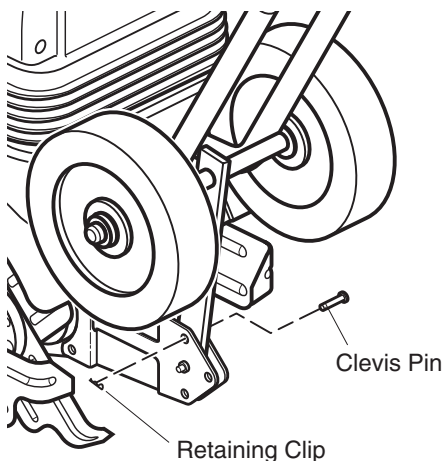
### ASSEMBLY

*Continued*

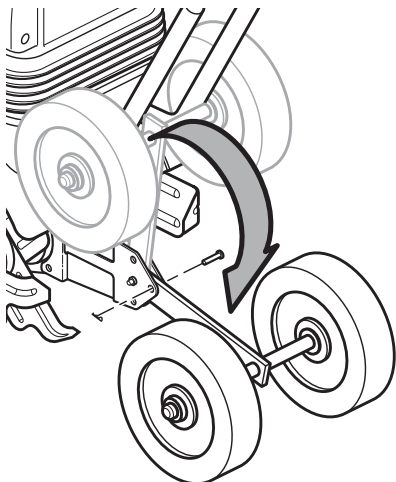
#### ADJUSTING WHEEL ASSEMBLY

##### Adjusting the Wheel Assembly for Transport

1. Remove retaining clip and clevis pin from wheel assembly mounting bracket (see Figure 5).
2. Rotate the wheel assembly down so that the hole in the wheel assembly lines up with the center hole in the mounting bracket as shown in Figure 6.
3. Insert the clevis pin through the hole as shown in Figure 6, and insert the retaining clip in the clevis pin. The wheels are now mounted in the transport position.



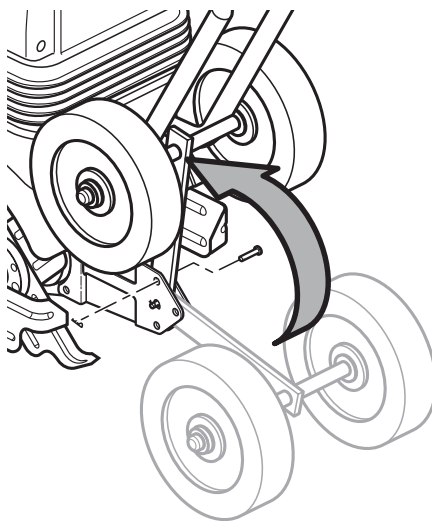
**Figure 5 - Removing Retaining Clip and Clevis Pin**



**Figure 6 - Adjusting Wheel Assembly to Transport Position**

##### Adjusting the Wheel Assembly for Tilling

1. Remove the retaining clip from the clevis pin and remove the clevis pin from the mounting bracket and wheel assembly.
2. Rotate the wheel assembly up and forward as shown in Figure 7 until the hole in the wheel assembly lines up with the upper hole in the mounting bracket.
3. Insert the clevis pin through the aligned holes and insert the retaining clip into the clevis pin. The wheels are now mounted in the tilling position.



**Figure 7 - Adjusting Wheel Assembly to Tilling Position**

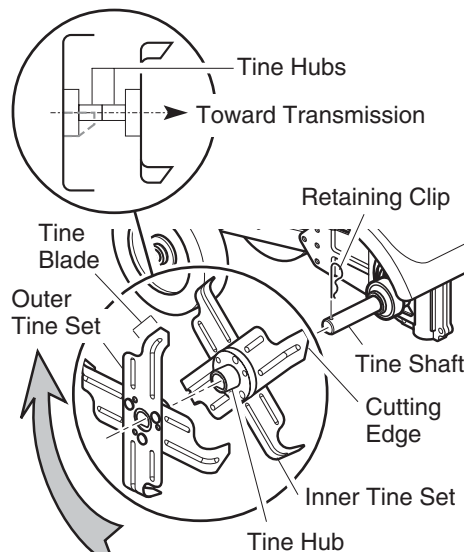
### TINE REMOVAL AND INSTALLATION

**⚠ WARNING:** Always unplug the tiller before placing hands near the tines. Always wear gloves to protect your hands from the sharp edges of the tines.

**IMPORTANT:** The tiller has 4 different sets of tines. For proper performance, the tines must always be installed correctly as shown in Figure 8. When assembled correctly, the angled cutting edge of tines should rotate towards the front of the tiller. The blades of all the tines should be pointing toward the transmission. The tine hubs of the inner and outer tine sets should be facing each other as shown in Figure 8.

#### Tine Removal and Installation

1. Remove the retaining clips from the end of the tine shaft.
2. Remove outer tine set from tine shaft.
3. Remove inner tine set from tine shaft.
4. Reinstall the retaining clips onto tine shaft to prevent them from being misplaced.
5. Reverse above steps to install tines.



**Rotation of Tines During Operation**

**Figure 8 - Tine Removal and Installation**



# OWNER'S MANUAL

## OPERATING TILLER

**⚠ WARNING: Read and understand this owners manual before operating this tiller. Make certain you read and understand all Safety Warnings on pages 2 and 3. Improper use of this tiller can result in severe injury or death from fire, electrical shock, or body contact with moving parts.**

## EXTENSION CORDS

Always use proper extension cords with this tiller. Use only extension cords marked for outdoor use. The cord must be marked with suffix W or W-A following the cord type designations. *Example:* SJTW-A or SJTW.

Use proper sized cord with this tiller. Cord must be heavy enough to carry current needed. An undersized cord will cause voltage drop at tiller. Tiller will lose power and overheat. Follow cord size requirements listed below.

Cord Length	AWG Cord Size
25 feet	16 AWG
50 feet	16 AWG
100 feet	14 AWG
150 feet	12 AWG

Keep cord away from rotating tines. Inspect cord often. Replace damaged cords.

## RETAINING EXTENSION CORD

The switch housing has an extension cord hitch made from a series of alternating hooks (see Figure 9). This feature can be used to secure the receptacle end of the extension cord to the tiller handle to prevent accidental disconnection from the power cord. A belt clip is also included to help manage the cord by keeping it at the users side and away from the tiller tines.

### Securing Extension Cord to Tiller

1. Start at approximately 6 inches from receptacle end of extension cord and weave the cord between the hooks on the switch housing as shown in Figure 9, so that the receptacle is hanging below the switch housing.
2. Begin weaving the extension cord on top of the bottom hook and alternate under and over hooks so that the cord is ultimately on top of the last hook.
3. Plug the tiller power cord into the extension cord.

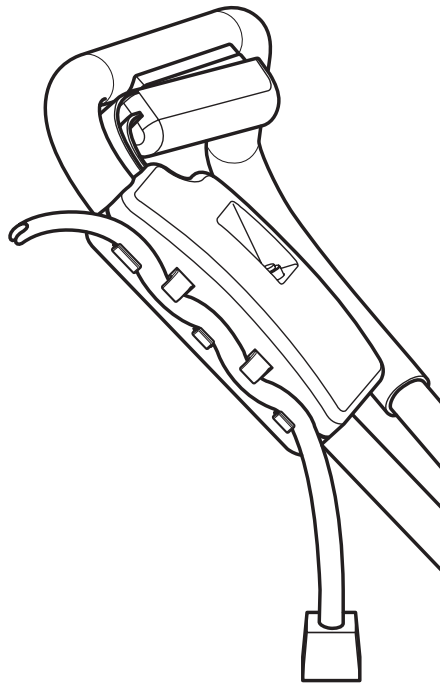


Figure 9 - Securing Extension Cord to Tiller

## CIRCUIT BREAKER PROTECTION

This tiller is equipped with a circuit breaker located in the top of the switch housing (see Figure 10). The circuit breaker provides over-current protection to the tiller motor should the tines become jammed or locked by a stone, root, or other obstruction.

If the circuit breaker should trip during use, the white button will pop up out of the case and the electric motor and the tines will stop rotating.

### Resetting the Breaker

1. Fully release the trigger lever.
2. Unplug the tiller power cord from the extension cord.
3. Dislodge or remove any obstacles from the tines which caused the tines to jam.

**⚠ WARNING: Always unplug the tiller before placing hands near the tines. Always wear gloves to protect your hands from the sharp edges of the tines.**

4. Press the reset button on the breaker back into the housing (see Figure 10). The button should stay depressed when released. Plug the tiller power cord back into the extension cord.
5. Firmly grasp the tiller grip area on the handlebar, and resume tilling.

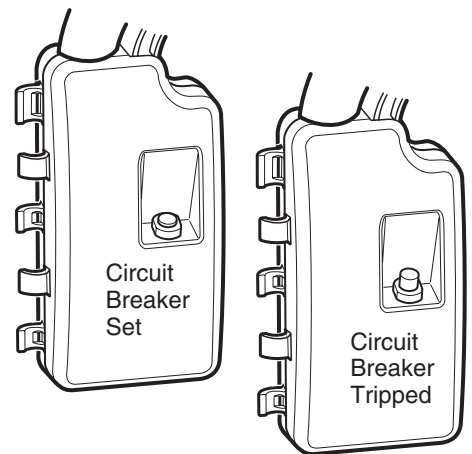


Figure 10 - Circuit Breaker Button

# REMINGTON®

## ELECTRIC TILLER

### OPERATING TILLER

*Continued*

#### STARTING TILLER

1. Grasp grip area on handlebar firmly with both hands.
2. Use your thumb to slide the lock-off lever all the way to the right (see Figure 11). This releases the trigger lever.
3. Squeeze the trigger lever all the way in (see Figure 11). The motor will start and the tines will begin to rotate. Once the tiller is started, the lock-off lever can be released.
4. **IMPORTANT:** To stop the tiller, release the trigger lever. The motor will shut off and the tines will stop rotating. The trigger lever is now locked off again.

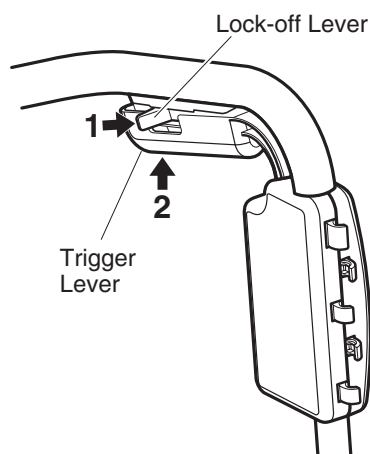


Figure 11 - Lock-off Lever and Trigger Lever

### BASIC TILLER OPERATION

Use the tiller for breaking sod, preparing seed beds, and for cultivating gardens and flower beds. The tiller can also dig small holes for planting saplings or potted plants.

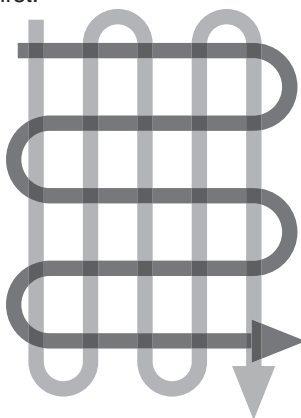
Let the tiller do most of the work. The tines will pull the tiller forward during operation. By pulling tiller back towards yourself, the tines will dig deeper and more aggressively.

For breaking sod or deep tilling, allow the tines to pull the tiller forward to the end of your arm's reach, then firmly pull the tiller back towards you. By repeatedly allowing the tiller to move forward and then pulling the tiller back to you, the tiller will be most effective.

If the tiller digs deep enough to stay in one spot, gently rock the tiller side to side to start the tiller moving forward again.

For preparing seed beds, we recommend using one of the tilling patterns shown in Figure 12.

Tilling Pattern One - Make two passes over area to be tilled, the second at a right angle to the first.



Tilling Pattern Two - Make two passes over area to be tilled, the second overlapping the first.



Figure 12 - Suggested Tilling Patterns

### EXTENSION CORD MANAGEMENT

As with any electric lawn and garden appliance, you will develop a common sense approach to keeping the extension cord in a safe and logical location as you are using the tiller.

A convenient belt clip is included with the tiller to enable you to attach the extension cord to your waist and ease cord management (see Figure 13). It is recommended that the belt clip and extension cord be attached to your right side. Maintain enough slack between the tiller and the belt clip for easy maneuvering.

**WARNING:** Be aware of extension cord while operating tiller. Be careful not to trip over cord. Keep cord away from tines at all times.

If tilling rows, start with the row that is closest to the household outlet you are using as an electrical power source. Begin tilling the row in a direction which will keep the extension cord on your right side. When the tiller reaches the end of the row, turn to position the tiller in the opposite direction for the next row. Remember, keeping the extension cord behind you and on your right side will make it easier to manage the extension cord.

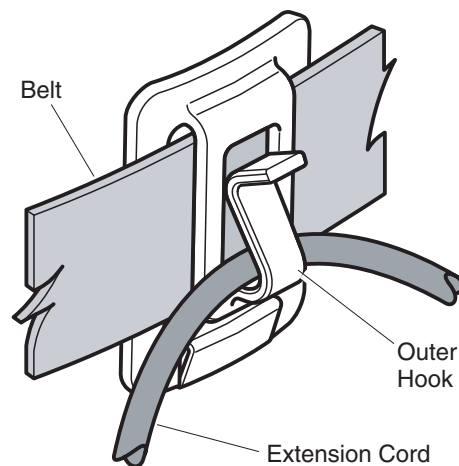


Figure 13 - Extension Cord Belt Clip



## OPERATING TILLER

*Continued*

### CLEARING TINES OF FOREIGN OBJECTS

During use, a stone or root could become lodged in the tines, or tall grass or weeds may become wrapped around the tine shaft.

To clear the tines, release the trigger lever. Unplug the tiller, and dislodge or remove any obstacles from the tines or tine shaft.

**⚠ WARNING: Always unplug the tiller before placing hands near the tines. Always wear gloves to protect your hands from the sharp edges of the tines.**

To ease removal of tall grass or weeds that are wrapped around the tine shaft, remove one or more of the tines from the tine shaft. See *Tine Removal and Installation*, page 6.

When you have cleared the tines, reinstall tines onto tine shaft. Plug the tiller power cord into the extension cord. Firmly grasp the grip area of the handlebar with both hands and resume normal tilling operation.

## CLEANING AND MAINTENANCE

**⚠ WARNING: Unplug tiller from power source before cleaning or servicing. Severe injury or death could occur from fire, electrical shock, or body contact with moving tines.**

**⚠ WARNING: When cleaning tiller:**

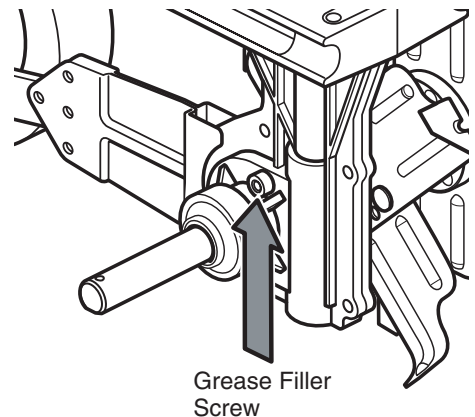
- Do not submerge tiller in any liquids.
- Do not use products that contain ammonia, chlorine, or abrasives.
- Do not use chlorinated cleaning solvents, carbon tetrachloride, kerosene, or gasoline.

### CLEANING TILLER

1. To clean front and rear cover and fender, use a soft cloth dampened with a mild soap and water mixture. Do not spray or pour water directly onto the front or rear cover. Wipe the front and rear covers and fender with the dampened cloth.
2. To remove soil and debris from the tines and transmission, use a stiff brush or a dampened cloth. Do not spray or pour water directly onto tiller.
3. For easier cleaning, remove the tines from the tine shaft. See *Tine Removal and Installation*, page 6.
4. Once cleaned, wipe the tine shaft dry and apply a light coat of oil to the shaft before reinstalling the tines.

### CHECKING TRANSMISSION LUBRICANT

1. Unplug tiller from power source.
2. Locate the grease filler screw located above the tine shaft on the right side of the transmission (see Figure 14).
3. Lay the tiller on its left side. Remove the right side tine sets for easy access to grease filler screw. See *Tine Removal and Installation*, page 6.
4. Clean the transmission to prevent dirt and debris from entering the transmission.
5. Using a Phillips head screwdriver, remove the grease filler screw from the transmission case.
6. If grease is not visible in the hole, add a high-quality, automotive-grade, petroleum-based grease using standard grease gun. Place the nozzle of the grease gun firmly against the rim of the hole and add grease until it begins to seep out around the edge of the nozzle.
7. Reinstall the grease filler screw and wipe away any excess grease.
8. Reassemble the tine sets. See *Tine Removal and Installation*, page 6.



**Figure 14 - Grease Filler Screw**

### OTHER SUGGESTED LUBRICATION POINTS

**Handlebar Adjustment Knobs:** Occasionally spray a silicone type lubricant around the saddle bolts.

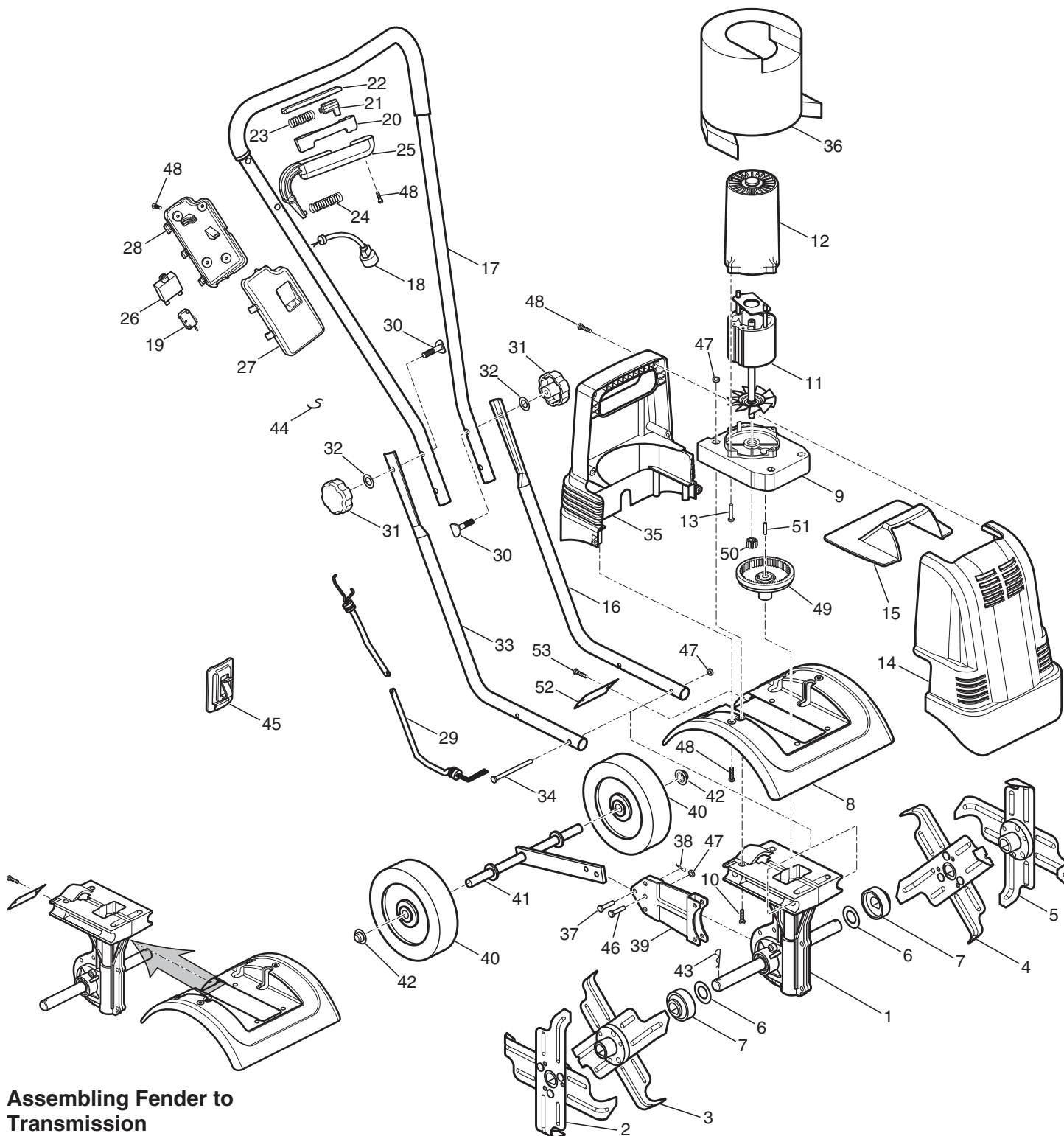
**Tine Shaft:** After each use, remove the tines, clean the tine shaft with fine sandpaper and apply a light coat of oil to the tine shaft. This will make future tine installation and removal easier.

# REMINGTON®

## ELECTRIC TILLER

### ILLUSTRATED PARTS BREAKDOWN

ELECTRIC TILLER  
Model 109312-01



**Assembling Fender to  
Transmission**

# OWNER'S MANUAL

## PARTS LIST

This list contains replaceable parts used in your tiller. When ordering parts, be sure to provide the correct model number, then the part number and description of the desired part.

### ELECTRIC TILLER

Model 109312-01

KEY NO.	PART NO.	DESCRIPTION	QTY.	KEY NO.	PART NO.	DESCRIPTION	QTY.
1	109384-01	Transmission Assembly	1	28	109352-01	Lower Trigger Housing	1
2	109342-01	Tine Assembly	1	29	109347-01	Power Cord	1
3	109342-04	Tine Assembly	1	30	109367-01	Bolt, Saddle Head .312-18 x 1.5"	2
4	109342-02	Tine Assembly	1	31	109366-01	Handle Knob	2
5	109342-03	Tine Assembly	1	32	WLE-5	External Tooth Lock Washer	2
6	109349-01	Felt Washer	2	33	108444-02	Handle Support, Right	1
7	109339-01	Dust Cap	2	34	H5C4-40C	Bolt, Hex Head .25-20 x 5"	2
8	109332-01	Fender	1	35	109344-01	Rear Housing	1
9	109333-01	Bearing Plate Assembly	1	36	109341-01	Foam	1
10	H5C4-20C	Bolt, Hex Head .25-20 x 2.5"	4	37	109368-01	Clevis Pin .25 x 1"	1
11	109385-01	Motor Assembly	1	38	109369-01	Retaining Clip	1
12	076014	Motor Can Assembly	1	39	109356-01	Wheel Assembly Bracket	1
13	059045	Screw, Tap Pan Head	4	40	109374-01	Wheel	2
14	109343-01	Front Housing	1	41	109358-01	Axle Assembly	1
15	109345-01	Air Dam	1	42	109377-01	Nut Cap	2
16	108444-01	Handle Support, Left	1	43	109365-01	Retaining Clip	2
17	108443-01	Upper Handle Tube Assembly	1	44	109364-01	Cord Clip	4
18	099829-05	Shrouded Cord	1	45	109361-01	Belt Clip	1
19	107729-01	Micro Switch	1	46	H5C4-8C	Bolt, Hex Head .25-20 x 1"	1
20	109360-01	Lock Off Side Cover	1	47	NEC-4C	Nut, Hex Lock .25-20	7
21	109355-01	Lock Off Slide	1	48	059046	Screw, Tap Pan Hd, PR#8, Type 25	16
22	109354-01	Stop Block	1	49	109336-01	Sprocket Gear	1
23	107694-01	Lock Off Spring	1	50	059606	Drive Gear	1
24	109357-01	Trigger Spring	1	51	075676	Sprocket Roller Bearing	1
25	109353-01	Trigger Lever	1	52	109350-01	Fender Plate	1
26	22616013	Circuit Breaker	1	53	103708-01	Screw, PPH TPG "B"	2
27	109351-01	Upper Trigger Housing	1				

# REMINGTON®

## ELECTRIC TILLER

### TROUBLESHOOTING

*Note:* For additional help, visit DESA International's technical service web site at [www.desatech.com](http://www.desatech.com).

**⚠ WARNING: Unplug tiller from power source before servicing. Severe injury or death could occur from fire, electrical shock, or body contact with moving tines.**

#### OBSERVED FAULT

Motor does not run when you squeeze trigger lever

#### POSSIBLE CAUSE

1. Lock-off lever not pressed to release trigger lever
2. Extension cord connection is loose
3. Circuit breaker is tripped on tiller
4. Household circuit breaker is tripped on open line fuse
5. Bad motor brushes
6. Open wiring on tiller

#### REMEDY

1. Fully depress lock-off lever before squeezing trigger lever (see *Starting Tiller*, page 8)
2. Check cord connections
3. Check circuit breaker on tiller (see *Circuit Breaker Protection*, page 7)
4. Check circuit breaker or line fuse (see *Circuit Breaker Protection*, page 7)
5. See authorized service center
6. See authorized service center

Motor runs, but tines do not move

Gear train failure

See authorized service center

Tiller smokes

Tiller damaged. Do not use tiller

See authorized service center

### TECHNICAL SERVICE

You may have further questions about assembling, operating, or maintaining this tiller. If so, contact DESA International's Technical Service Department at 1-800-858-8501.

You can also visit DESA International's technical service web site at [www.desatech.com](http://www.desatech.com).

### REPAIR SERVICE

*Note:* Only use original replacement parts. This will protect your warranty coverage for parts replaced under warranty.

Each authorized service center is independently owned and operated. For additional service center or warranty information, call 1-800-858-8501.

#### REPLACEMENT PARTS

For original replacement parts, contact authorized dealers of this product or your nearest parts central listed below.

### WARRANTY SERVICE

If tiller requires warranty service, return it to nearest authorized service center. You must show proof of purchase. If faulty materials or workmanship caused damage, we will repair or replace tiller without charge. *Note:* Normal wear, misuse, abuse, neglect, or accidental damage is not covered under warranty.

#### NON-WARRANTY SERVICE

If tiller requires service, return it to nearest authorized service center. Repairs will be billed to you at regular repair list prices.

# OWNER'S MANUAL

## PARTS DEALERS

Ray's Portable Heater Service  
3191 Myers Road  
Camino, CA 95709-9550  
530-644-7716

Shamay's Enterprises  
P.O. Box 3714  
58643 Knox-Niman Lane  
Landers, CA 92285  
760-364-2046

Baltimore Electronics  
1348 Dixwell Avenue  
Hamden, CT 06285  
203-248-7553  
1-800-397-7553

Eckley's Small Engine  
31617 Spruce Drive  
Eustis, FL 32726-9592  
352-357-6764

Parts Company of America  
1657 Shermer Road  
Northbrook, IL 60062-5362  
708-498-5900  
1-800-323-0620  
www.grainger.com

Portable Heater Parts  
342 North County Road 400 East  
Valparaiso, IN 46383-9704  
219-462-7441  
1-800-362-6951  
www.portableheaterparts.com  
sales@portableheaterparts.com  
techservice@portableheaterparts.com

FBD  
1349 Adams Street  
Bowling Green, KY 42103-3414  
270-846-1199  
1-800-654-8534  
franktalk@aol.com

Lyons & Lyons Sales Co. Inc.  
Glen Arm Road  
Glen Arm, MD 21057-9454  
410-665-6500  
1-800-333-5966  
lyonsco@erols.com

Master Part Distributors  
1251 Mound Avenue NW  
Grand Rapids, MI 49504-2672  
616-791-0505  
1-800-446-1446

Hance Distributors Inc.  
12795 16th Avenue North  
Plymouth, MN 55441-4556  
763-559-2299  
www.hanceco.com

Automotive Equipment Service  
3117 Holmes  
Kansas City, MO 64109-1716  
816-531-9144  
1-800-843-3546  
www.aes-lawnparts.com

Bowden Electric Motor Service  
1681 S. Wesleyan Blvd.  
Rocky Mount, NC 27803  
252-446-4203

Forrest Lytle and Sons Inc.  
740 West Galbraith Road  
Cincinnati, OH 45231-6002  
513-521-1464

Bortz Chain Saw Shop  
Road #2, Box 64A  
Oley, PA 19547-9412  
610-987-6452

21st Century  
2950 Fretz Valley Road  
Perkasie, PA 18944-4034  
215-795-0400  
1-800-325-4828

Laportes Parts and Service  
2444 N 5th Street  
Hartsville, SC 29550-7704  
843-857-0222

Webbs Appliance Center  
1519 Church Street  
Nashville, TN 37203-3004  
615-329-4079  
1-800-899-4079

Industrial Hardware  
4109 Bainbridge Blvd.  
Chesapeake, VA 23324-1403  
804-543-2232  
1-800-788-0008  
catatam@erols.com

Mills Lawn and Garden  
928 Commonwealth Place  
Virginia Beach, VA 23464  
757-361-9293  
www.mills-parts.com

Tuco Industrial Products  
5223 180th Street SW  
Suite 4A-1  
Lynnwood, WA 98037-4506  
425-743-9533  
1-800-735-1268  
www.tucoheat.com

## AUTHORIZED SERVICE CENTERS

**ALABAMA (AL)**  
A & O General Repair Service  
1470 Opelika Road  
Auburn, AL 36830  
334-821-7022

Southern Power Tool  
3956 Government Blvd.  
Mobile, AL 36693  
334-639-8188

**ARIZONA (AZ)**  
Best Brothers Lawnmower Repair  
5549 W. Glendale Avenue  
Glendale, AZ 85301  
602-939-9170

D & L Small Engines, Inc.  
10023 North 19th Ave.  
Phoenix, AZ 85021  
602-861-1978

Power Tool Service Center  
660 East 19th Street  
Tucson, AZ 85719  
520-884-8974

**CALIFORNIA (CA)**  
Ray's Portable Heater Service  
3191 Meyers Road  
Camino, CA 95709  
530-644-7716

California Electric Service  
612 South Shoppers Lane  
Covina, CA 91723  
818-915-4935

California Electric Company  
1208 East Ash Avenue  
Fullerton, CA 92631  
714-870-0900

J & N Garden Equipment  
4460 W. Imperial Hwy.  
Inglewood, CA 90304  
310-671-0079

Shamay's Enterprises  
P.O. Box 3714  
58643 Knox-Niman Lane  
Landers, CA 92285  
760-364-2046

California Electric Service  
2594 East Colorado Blvd.  
Pasadena, CA 91107  
626-792-3194

West Coast Contractors Supply  
#28 13th Street  
San Francisco, CA 94103  
415-861-6124

Leete Electric Company  
930 Petaluma Hill Road  
Santa Rosa, CA 95404  
707-545-0484

Rincon Valley Yard & Garden  
4972 Sonoma Hwy  
Santa Rosa, CA 95409  
707-593-4124

California Electric Service  
14753 Oxnard Street  
Van Nuys, CA 91411  
818-997-8855

Power Outdoor Equipment  
3160 Industrial Drive  
Yuba City, CA 95993  
530-671-1871

**COLORADO (CO)**  
McGuckin Power Equipment Center  
2845 Valmont Road  
Boulder, CO 80302  
303-443-9317

Ace Mower and Small Engines  
4718 Chromium Drive  
Colorado Spring, CO 80918  
719-593-0862

Bartell Tool Service  
1448 W. Cedar Avenue  
Denver, CO 80223  
303-777-5463

Metrogas Equipment Company  
790 West 64th Ave.  
Denver, CO 80221  
303-428-3036

Winfrey's Jones LLP  
317 8th Street  
Greeley, CO 80631  
970-353-9576

AAA Electric Company, Inc.  
24 South Main Street  
Longmont, CO 80501  
303-776-6031

Dales Electric Motor Repair  
932 Coffman Street  
Longmont, CO 80501  
303-651-6907

**CONNECTICUT (CT)**  
Baltimore Electronics  
5 Manila Ave.  
Hamden, CT 06514  
203-248-7553  
1-800-397-7553

Utility Electric Service  
53 Main Street  
Hartford, CT 06106  
860-246-7271

Goodies Sales and Service  
133 Hamilton Street  
New Haven, CT 06515  
203-865-1470

**FLORIDA (FL)**  
301 Mower Shop  
5724 15th Street E.  
Bradenton, FL 34203  
941-758-7844

Eckley's Small Engine  
31617 Spruce Drive  
Eustis, FL 32736  
352-357-6764

Al's Small Engine, Inc.  
2496 Blanding Blvd.  
Middleburg, FL 32068  
904-282-5472

Lindle & Sons Electric Motor Repair  
7016 Hwy. 22  
Panama City, FL 32401  
850-871-1722

Eustis and Sons, Inc.  
7035 66th Street North  
Pinellas Park, FL 34665  
727-544-1486

A1A Small Engines & Equipment  
420 S. Dixie Hwy. E.  
Pompano Beach, FL 33060  
954-946-5044

Mulvaney's Inc.  
2148 W. Tennessee Street  
Tallahassee, FL 32304  
850-576-5578

**GEORGIA (GA)**  
Hamilton Hardware  
5300 Veterans Pkwy.  
Columbus, GA 31904  
706-322-6545

Able Tool Rental  
3360 Fairburn Road  
Douglasville, GA 30135  
770-949-1932

Douglasville Ace Hardware  
6530 Church Street  
Douglasville, GA 30133  
770-942-7044



# REMINGTON®

## ELECTRIC TILLER

ASAP Equipment Services  
3560 C Buford Hwy  
Duluth, GA 30096  
678-584-5462

Fayette Mower & Appliance  
395 S. Glynn St.  
Fayetteville, GA 30215  
770-461-9400

S & P Rental & Supply Co.  
259 Grayson Hwy  
Lawrenceville, GA 30245  
770-963-0392

Spray Solutions  
476 Flowing Wells Rd. D-1  
Martinez, GA 30907  
706-855-1293

Tifton Electric Motors  
1265 US Hwy. 82E  
Tifton, GA 31794  
912-382-4040

### IDAHO (ID)

Rossiter Electric  
1501 S. Capitol Ave.  
Idaho Falls, ID 83403  
208-529-3665

Steam Store Rocky Mountain, Inc.  
155 North Gate Mile  
Idaho Falls, ID 83401  
208-522-0609

J & J Enterprises  
1704 Addison Avenue East  
Twin Falls, ID 83301  
208-733-2001

### ILLINOIS (IL)

Uline Lawn Equipment  
290 W. Squk Trail  
Chicago Heights, IL 60411  
708-755-2227  
708-755-1533 (Fax)

Lange Electric  
912 E. Fayette  
Effingham, IL 62401  
217-347-7626

Carter's Small Engine Repair  
206 N. Hickory Street  
Galatia, IL 62935  
618-268-4814

H & R Pump Company, Inc.  
2111 E. Washington Street  
Joliet, IL 60434  
815-726-2950

### INDIANA (IN)

Hutchens Sales and Service  
R.R. #5, Box 550  
Bloomfield, IN 47424  
812-876-1891

Nichols Ice & Oil  
2018 Park Road  
Connersville, IN 47331  
765-825-3741

B & W Repair Service  
213 N. Main Street  
Dale, IN 47523  
812-937-2576

Industrial Motor & Electrical Supply, Inc.  
64466 State Road 19  
Goshen, IN 46526  
219-862-4044

Tyrie Mower Repair  
110 South 16th Street  
Lafayette, IN 47905  
765-742-7886

Kabelin True Value Hardware  
512 Andrew Avenue  
Laporte, IN 46350  
219-362-7917

Lear Lawn & Garden  
2204 N. Wolfe Street  
Muncie, IN 47303  
765-282-6273

Li'l Engine Sales & Service, Inc.  
1428 Vincennes Street  
New Albany, IN 47150  
812-944-1377

Portable Heater Parts  
342 North County Road, 400 East  
Valparaiso, IN 46383  
219-462-7441

D W Handy's  
217 West 15th St.  
Vincennes, IN 47591  
812-886-0172

New Paris Farm Store  
68443 W. Main Street  
P.O. Box 96  
New Paris, IN 46553  
219-831-4823

### IOWA (IA)

Beal's Motor Rewinding  
600 West Beach  
Cherokee, IA 51012  
712-225-6173

Blink Electric Motors  
Rear 116 N. 1st Ave.  
Marshalltown, IA 50158  
641-752-3036

Northeast Iowa Motor Service  
24665-150th Street  
Sumner, IA 50674  
563-578-5883

Black Hawk Rental  
324 West 15th Street  
Waterloo, IA 50702  
319-234-4421

### KANSAS (KS)

Abilene Rent-All & Sales  
1701 West 1st Street  
Abilene, KS 67410  
785-263-7668

NAAB Electric, Inc.  
2013 W. Jones  
Garden City, KS 67846  
316-276-8101

Morris Electric Repair  
2423 5th Street  
Great Bend, KS 67530  
316-792-2919

McPherson Rental Center  
911 West First Street  
McPherson, KS 67460  
620-241-3333

### KENTUCKY (KY)

Gillum's Service & Repair  
8611 Rt. US 60  
Ashland, KY 41102  
606-928-4932

E-Z Rent It Inc.  
1428 U.S. 31-W By-Pass  
Bowling Green, KY 42101  
270-782-9462

Roman's Repair Shop  
601 College Street  
Bowling Green, KY 42101  
270-746-0857

Hopkinsville Electric Motor  
704 W. 15th Street  
Hopkinsville, KY 42240  
270-886-7585

Maury's Fluorescent Appliance  
1521 Bardstown Road  
Louisville, KY 40205  
502-456-1671

Rental World, Inc.  
9509 Dixie Hwy.  
Louisville, KY 40272  
502-935-8853

All States Industrial Repair  
728 E. Center Street  
Madisonville, KY 42431  
270-821-6555

### LOUISIANA (LA)

Triangle Bicycle and Lawnmower  
5433 Crowder Road  
New Orleans, LA 70127  
504-241-3239

Wayne's Heat & Air  
1605 W. Vine Street  
Opelousas, LA 70570  
337-948-4246

Evans of LA, Inc.  
907 Cypress Street  
West Monroe, LA 71291  
318-322-6180

### MAINE (ME)

Richard's Electric Motor  
549 Main Street  
Caribou, ME 04736  
207-498-8950

Roger's Electric Motor Shop  
823-West Main Street  
Madawaska, ME 04756  
207-728-4253

Rent-N-Save  
28 Allen Avenue  
Portland, ME 04103  
207-797-2223

### MARYLAND (MD)

Center Supply Company  
6802 Industrial Drive #208  
Beltsville, MD 20705  
301-595-0860

Lehmans Hardware, Inc.  
5921 Belair Road  
Baltimore, MD 21206  
410-483-5888

Norris Taylor Contractors, Inc.  
8480 Ocean Gateway  
Easton, MD 21601  
410-822-2050

Lyons & Lyons Sales Co. Inc.  
Glen Arm Road  
Glen Arm, MD 21057-9454  
410-665-6500  
1-800-333-5966  
lyonsco@erols.com

Chesapeake Rent All  
210 N. Stokes Street  
Havre De Grace, MD 21078  
410-939-1720

B & M Sharpening & Repair  
8614 Church Lane  
Randalstown, MD 21133  
410-655-0801

### MASSACHUSETTS (MA)

Ormond's Inc.  
115R Dean Ave.  
Franklin, MA 02038  
508-528-2013

Beacon Lumber/Beacon Rental  
513 Church Street  
New Bedford, MA 02745  
508-995-1766

Mott's Tool Repair Service  
92 Rayber Road  
Orleans, MA 02653  
508-240-0764

Utility Electric Service #2  
810 Main Street  
Springfield, MA 01105  
413-781-1635

### MICHIGAN (MI)

R & A Service  
12900 Haggerty Road  
Belleville, MI 48111  
734-697-1144

Thompson's Rental Resale Repair  
11973 New Lothrop Road  
Byron, MI 48418  
810-266-4969

Hendricks Sales  
7876 Division  
Grand Rapids, MI 49548  
616-455-8220

Chicago Drive Rentals, Inc.  
11298 Chicago Drive  
Holland, MI 49424  
616-396-9575

Fowler's Farm City Sales  
2876 West Washington Road  
Ithaca, MI 48847  
989-875-3976

Superior Industrial Sales & Service  
116 N. State Street  
Jackson, MI 49201  
517-784-0539

Norm's Electric Motor Repair  
414 Walbridge Street  
Kalamazoo, MI 49007  
616-382-5054

A & J Rentals  
550 S. 11th Street  
Niles, MI 49120  
616-684-3200

Bob's Service Shop  
2537 W. Drahnner Road  
Oxford, MI 48371  
248-628-2601

Bid's Service, Inc.  
11276 E. Ten Mile  
Warren, MI 48089  
810-759-3040

### MINNESOTA (MN)

Perry's Electrical Rebuilders  
24664 Hale Avenue  
Forest Lake, MN 55025  
651-464-8054

Andy's Small Engine City  
2408 Pearl Ct. SE  
Rochester, MN 55904  
507-280-0373

Reed's Sales & Service  
1260 Payne Ave.  
St. Paul, MN 55101  
651-774-9515

### MISSISSIPPI (MS)

Handy Man Rentals  
1904 Shiloh Road  
Corinth, MS 38834  
662-287-2460

### MISSOURI (MO)

Stewarts Enterprises  
7631 NW Salebarn Road  
Cameron, MO 64429  
816-632-6578

Northwest Power Sales  
26848 Haultain Drive  
Maryville, MO 64468  
660-582-5080

Buchheit, Inc.  
Route 7, Box 239  
Perryville, MO 63775  
573-547-1017

A K Small Engine Works  
15726 Hwy C  
Versailles, MO 65084  
573-378-6339

### MONTANA (MT)

Tom's Service Repair  
1111-6th Avenue North  
Billings, MT 59101  
406-259-6179

Mosch Electric Motors, Inc.  
2513 - 17th St. NE  
Black Eagle, MT 59414  
406-453-2481

Sun Rental Center  
1301 - 3rd St. NW  
Great Falls, MT 59404  
406-761-6688

### NEBRASKA (NE)

Hatten's Electric Service  
130 S. Hastings, Box 843  
Hastings, NE 68901  
402-463-4596

Craft Specialties  
108 Hillside Drive  
Norfolk, NE 68701  
402-379-3129

Flohr Electric Motor  
4356 South 90th Street  
Omaha, NE 68127  
402-331-6863

MSE Parts Unlimited  
4935 South 136th Street  
Omaha, NE 68137  
402-895-0806

Ted's Mower Sales and Service, Inc.  
5155 Q. Street  
Omaha, NE 68117  
402-731-7058

LaVern Hass Repair  
1204 - 1st Road  
Wisner, NE 68791  
402-529-6846

### NEW HAMPSHIRE (NH)

Kingston Enterprises  
85 North Road  
Kingston, NH 03848  
603-642-3506

### NEW JERSEY (NJ)

Associated Industries  
2433 Rt. 206  
Eastampton, NJ 08060  
609-267-8417

Woodchuck's Lawnmower  
and Appliance  
220 Whitehorse Pike  
Magnolia, NJ 08049  
856-783-1111

Tep's Power Equipment  
1002 N. High Street  
Millville, NJ 08332  
856-825-8294

Richard's Sharpening Service  
824 Mill Road  
Northfield, NJ 08225  
609-641-9481

Capitol Service & Equipment  
551 New Market Road  
Piscataway, NJ 08855  
732-968-5577

Air & Electric Tool Service, Inc.  
130 W. 3rd Street  
Roselle, NJ 07203  
908-242-6930

### NEW YORK (NY)

Valley Mower Service  
2857 Ellis Creek Road  
Barton, NY 13734  
607-589-4825

White Tool Supply Inc.  
3047 Atlantic Avenue  
Brooklyn, NY 11208  
718-227-8844

Lehman's Farm & Home Supply  
Route 26  
Denmark, NY 13631  
315-493-1151

M & S Repair Shop  
303 Hilltop Drive  
Elma, NY 14059  
716-652-0311

Luther's Outdoor Equipment  
3676 State Route 5  
Frankfort, NY 13340  
315-894-4467

Crossbay Appliance Service  
158-34 Crossbay Blvd.  
Howard Beach, NY 11414  
718-843-4422

Provenzano's  
84 E. Main Street  
Kings Park, NY 11754  
631-269-1080

Para-Deys Tools  
708 Victor Road  
Macedon, NY 14502  
315-986-2520

P & C  
12 East Street  
Nunda, NY 14517  
716-468-5050

Otega Repair  
226 County Hwy 7  
Otego, NY 13825  
607-988-7859

Owego Agway Coop  
38 West Avenue  
Owego, NY 13827  
607-687-2039

Larmon Small Engine  
16353 Co. Rt. 91  
Pierrepont Manor, NY 13674  
315-465-6671

# OWNER'S MANUAL

R & D Mower & Snowblower  
Sales and Service  
1632 Empire Blvd.  
Webster, NY 14580  
716-671-9409

Bedford Appliance, Inc.  
1173 Yonkers Ave.  
Yonkers, NY 10704  
914-237-7575

**NORTH CAROLINA (NC)**  
Harnett & Wake Sales & Service  
44 N. Broad Street  
Angier, NC 27501  
919-331-0463

Leonard Electric Motor Repair, Inc.  
531 N. Fayetteville St.  
Asheboro, NC 27203  
336-625-2375

Martin Equipment Company  
4209-B US 70 E.  
Goldsboro, NC 27534  
919-778-5996

Hickory Home & Garden  
336 HWY 321 NW  
Hickory, NC 28601  
704-327-3719

O'Mary's Small Engine  
220 W. Forlines Road  
Winterville, NC 28590  
252-355-4597

**NORTH DAKOTA (ND)**  
Fix-It Shop  
316 21st Street E.  
Dickson, ND 58601  
701-225-0766

Ted's Saw Service  
901 South 12th Street  
Grand Forks, ND 58201  
701-775-7343

Craig's Small Engine Repair  
508 East 2nd Street  
Williston, ND 58801  
701-774-0798

**OHIO (OH)**  
Carter Electrical Repair  
3448 Lunar Rd. NE  
Carrollton, OH 44615  
330-627-4061

North East Mower Service  
412 East 156th Street  
Cleveland, OH 44110  
216-531-8197

Lefeld Welding & Steel Supply  
600 N. Second Street  
Coldwater, OH 45828  
419-678-2397

Dayton Hardware & Supply  
16-32 N. Irwin Street  
Dayton, OH 45404  
513-258-3721  
1-800-762-3426 Ohio only

Ken's Repair  
3246 S. Sectionline  
Delaware, OH 43015  
740-369-4798

Anytool & Outdoor Power Equip.  
21150 Lorain Road  
Fairview Park, OH 44126  
440-356-1920

Deep Run Mower Service  
58781 Heil Addn. Deep Run  
Martins Ferry, OH 43935  
740-859-6131

Worcester Sales and Service  
34200 Lorian Road  
N. Ridgeville, OH 44039  
440-327-2196

Leonard Hardware  
145 North 15th Street  
Sebring, OH 44672  
330-938-6329

Sparks Sales & Service  
5184 Fletcher Chapel Road  
Springfield, OH 45502  
937-323-5925

United Rentals of North America  
5745 Angola Road  
Toledo, OH 43615  
419-865-5539

**OKLAHOMA (OK)**  
Kay Electric Company  
1101 W. Broadway  
P.O. Box 635  
Altus, OK 73522  
580-482-1757

Sooner Distributors  
3021 S. High Street  
Oklahoma City, OK 73143  
405-634-3391

H. L. Moss  
1714 E. 15th Street  
Tulsa, OK 74104  
918-744-1305

**OREGON (OR)**  
Turner's Lawnmower and Saw  
728 SE Robin Way  
Gresham, OR 97080  
503-665-5441

Pendleton Grain Growers  
200 S. 1st Street  
Hermiston, OR 97801  
541-567-5591

Appliance Repair Central  
3203 NE Sandy Blvd.  
Portland, OR 97232  
503-234-7339

**PENNSYLVANIA (PA)**  
General Rental & Sales Center  
Old Rt 1 & 41  
Avondale, PA 19311  
610-268-2825

Bud's Tractor and Mower Service  
21 Bock Lane  
Baden, PA 15005  
724-869-7142

Engine Doctors  
20 Russell Blvd.  
Bradford, PA 16701  
814-362-3091

Pro-Fix  
136 Narrows Road  
Edwardsville, PA 18651  
570-288-0476

Carson's Hardware  
637-43 Main Street  
Hellertown, PA 18055  
610-838-7741

Al Muccioli's Service  
2001 Bedford Street  
Suite C  
Johnstown, PA 15904  
814-266-5734

Valray Nurseries Inc.  
R.D. #8, Box 362  
Kittanning, PA 16201  
724-548-1579

Hillyard Equipment Service Center  
633 Lausch Lane  
Lancaster, PA 17601  
717-569-5768

Petrosky's Hardware & Supply Co.  
602 Alexandria Street  
Latrobe, PA 15650  
724-537-3541

Raymond, M. Nolt  
290 S. Shirk Road  
New Holland, PA 17557  
717-354-0198

Snyder Electric Company  
1500 Chateau Street  
Pittsburgh, PA 15233  
412-231-3100

Stamm's Mower Repair  
Rd. 5, Pine Lane Box 150  
Selinsgrove, PA 17870  
570-743-7651

**SOUTH CAROLINA (SC)**  
Hall's Small Motor Repair  
225 Heathwood Drive  
Aiken, SC 29803  
843-649-6313

Todd's Electric Motor Repair  
110 Laurel Street  
Conway, SC 29526  
843-248-2444

LaPortes  
2444 N. 5th Street  
Hartsville, SC 29550  
843-857-0222

Turner Repair Service  
3 E. Belvue Road  
Taylors, SC 29687  
864-244-1746

**TENNESSEE (TN)**  
Vista Small Engine  
1510 Vista Lane  
Clarksville, TN 37043  
931-552-6953

Master Repair Service  
305 Elmore Road  
Crossville, TN 38555  
931-484-2061

The Speciality Shop  
2300 East Magnolia Avenue  
Knoxville, TN 37917  
865-523-6894

Webb's Appliance Service Center  
1519 Church Street  
Nashville, TN 37203  
615-329-4079

**TEXAS (TX)**  
Sacate Vedre, Inc.  
1906 N. Western  
Amarillo, TX 79106  
806-373-4409

Industrial Distributing Co.  
9411 Neils Thompson Dr.  
Austin, TX 78759  
361-837-4122

Brunson Feed Mill  
709 Sealy Ave.  
Ballinger, TX 76821  
915-365-2419

Bud's LP Gas & Supply  
225 Grand  
Channelview, TX 77330  
713-457-2456

Corpus Christi Power Tool & Rpr.  
3701 Agnes  
Corpus Christi, TX 78405  
361-883-1117

Freel Enterprise  
118 Elston  
Dallas, TX 75232  
214-376-9913

Southwest Electric Service  
3008 Canton St.  
Dallas, TX 75226  
214-742-8211

Powell's Small Engine Service  
5906 Hwy 66  
Greenville, TX 75402  
903-454-1877

Home Appliance Services  
1909 Reese Street  
Liberty, TX 77575  
409-336-8615

**UTAH (UT)**  
Roosevelt Service Center  
133 South 300 East, Box 1546  
Roosevelt, UT 84066  
435-722-2119

Appliance Service Center  
1475 S. Main Street  
Salt Lake City, UT 84115  
801-467-6361

**VIRGINIA (VA)**  
Industrial Hardware  
4109 Bainbridge Blvd.  
Chesapeake, VA 23324  
804-543-2232

Warren E. Smith Shops  
406 Cambria Street  
Christiansburg, VA 24073  
540-382-5501

B & B Appliance & Lawn Equipment  
71 Lawson Road SE Suite C  
Leesburg, VA 22075  
703-777-1093

Roberts Small Engine Repair  
1109 Curve Road  
Pearisburg, VA 24134  
540-921-3255

American Power Equip. Ctr.  
2381 Staples Mill Road  
Richmond, VA 23230  
804-354-5810

Outdoor Power Equipment  
800 White Marsh Road  
Suffolk, VA 23434  
804-925-4933

Mills Repair Service  
928 Commonwealth Place  
Virginia Beach, VA 23464  
757-361-9293

**WASHINGTON (WA)**  
Action Small Appliance Service  
1500 - 145th Place SE  
Bellevue, WA 98007  
425-643-9806

TUCO Industrial Products  
5223 - 180th SW Suite 4A-1  
Lynnwood, WA 98037  
425-743-9533

Action Small Appliance  
2125 Second Avenue  
Seattle, WA 98121  
206-448-2020

Lifficks Electric Shop  
8239 S. Park Avenue  
Tacoma, WA 98408  
425-474-7403

**WEST VIRGINIA (WV)**  
Beckley Mower Service  
3695 Robert C. Byrd Drive  
Beckley, WV 25802  
304-253-5748

Raymond's Service Center  
Route 65  
Delbarton, WV 25670  
304-475-2855

Town and Country Supply  
4117 First Avenue  
Nitro, WV 25143  
304-755-3520

**WISCONSIN (WI)**  
Smith Petroleum Ltd.  
217 N. Waiworth  
Darlen, WI 53114  
262-724-3206

Ohnstad Power Equipment  
12012 Center Hill Road  
Darlington, WI 53530  
608-776-3802

Bob's Engine Shop  
513 S. Military Road  
Fond Du Lac, WI 54935  
920-921-2841

Reliance Electric Motors  
1621 Livingstone Road  
Hudson, WI 54016  
715-386-3633

Kewaunee Small Engine  
E2068 State Hwy 29  
Kewaunee, WI 54216  
920-388-2604

Ken's Economy Sales  
8887 Highway A  
Marshfield, WI 54449  
715-676-2143

Cliff's Tractor Place  
Hwy 35-133  
P.O. Box 76  
Patch Grove, WI 53817  
608-994-2354

Barton Small Engine  
1628 N. Main Street  
West Bend, WI 53090  
262-334-5373

## **ELECTRIC TILLER LIMITED WARRANTY**

Always specify model number when writing the factory.

We reserve the right to amend these specifications at any time without notice. The only warranty applicable is our standard written warranty. We make no other warranty, expressed or implied.

DESA International warrants this electric tiller and any parts thereof, to be free from defects in material and workmanship for two years from the date of first purchase from an authorized dealer, provided that the product has been properly maintained and operated in accordance with all applicable instructions. This warranty is valid for 90 Days from the date of purchase from an authorized dealer if the tiller is used for commercial, industrial, or rental use. The bill of sale or proof of purchase must be presented at the time a claim is made under this warranty.

This warranty is extended only to the original retail purchaser. This warranty covers only the parts and labor required to restore this tiller to its proper operating condition. Warranty parts must be obtained through factory authorized dealers and service centers for this product. These dealers and service centers will provide original factory replacement parts. Failure to use original factory replacement parts voids this warranty.

This warranty does not apply to parts that are not in original condition because of normal wear and tear, or parts that fail or become damaged as a result of misuse, accident, lack of proper maintenance, tampering, or alteration. Travel, handling, transportation, and incidental costs associated with warranty repairs are not reimbursable under this warranty and are the responsibility of the owner.

To the full extent allowed by the law of the jurisdiction that governs the sale of the product, this express warranty excludes any and all other expressed warranties and limits the duration of any and all implied warranties, including warranties of merchantability and fitness for a particular purpose to two years from the date of first purchase, and DESA International's liability is hereby limited to the purchase price of the product and DESA International shall not be liable for any other damages whatsoever including indirect, incidental, or consequential damages.

Some states do not allow limitation of how long an implied warranty lasts or an exclusion or limitation of incidental or consequential damages, so the above limitation of damages may not apply to you.

This warranty provides the original purchaser with specific rights. For information regarding those rights, please consult the applicable state laws.



P.O. Box 90004  
Bowling Green, KY 42102-9004  
[www.desatech.com](http://www.desatech.com)

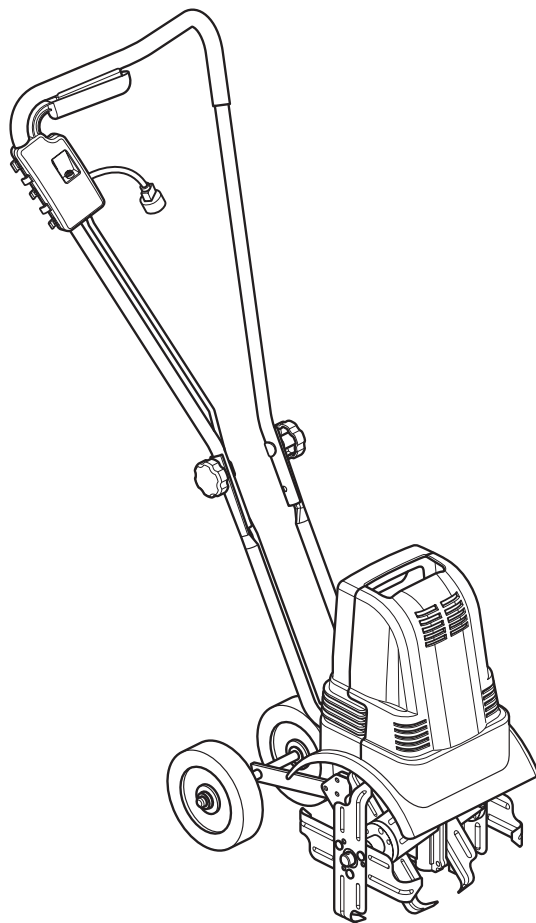


**Industries of Canada, Inc.**  
2220 Argentia Road  
Unit #4  
Mississauga, Ontario  
L5N 2K7  
905-826-8010  
FAX 905-826-8236

# **REMINGTON™**

## **GARDEN WIZARD™**

### **MANUAL DEL PROPIETARIO DEL CULTIVADOR ELÉCTRICO**



**MODELO 109312-01**

**IMPORTANTE:** Antes de ensamblar y operar este cultivador lea y entienda este manual. El uso inadecuado de este cultivador puede ocasionar lesiones graves. Guarde este manual para futuras referencias.



# REMINGTON®

## CULTIVADOR ELÉCTRICO

### **ADVERTENCIAS SOBRE SEGURIDAD**

**⚠ ADVERTENCIA:** Cuando use electrodomésticos para jardinería, deben acatarse las precauciones básicas sobre seguridad para reducir el riesgo de incendio, sacudida eléctrica, o lesión al personal.

**⚠ ADVERTENCIA:** Este producto contiene sustancias químicas conocidas en el estado de California como causas de cáncer o de defectos al recién nacido o de otros daños de reproducción.

### LEA TODAS LAS INSTRUCCIONES ANTES DE OPERAR EL CULTIVADOR

- No opere el cultivador cerca de elementos subterráneos como cables eléctricos, líneas telefónicas, tuberías o mangueras. Si tiene duda sobre la ubicación de estos elementos, póngase en contacto con su compañía de servicios. Para obtener información local de los servicios subterráneos puede también ponerse en contacto con el número de consulta Llamada Nacional Unica al 1-888-258-0808.
- Observe lo que está haciendo. Use el sentido común. No opere el cultivador cuando esté cansado(a).
- El cultivador debe ser manejado solamente por adultos bien instruidos. No deje que los niños manejen el cultivador.
- No use el cultivador para ningún otro trabajo excepto para el que fue destinado.
- Use solamente el voltaje eléctrico indicado en la placa del modelo del cultivador.

**⚠ ADVERTENCIA:** Para reducir el riesgo de sacudida eléctrica, use solamente cordón de extensión destinado para uso exterior, por ejemplo cordón de extensión del tipo SW-A, SOW-A, STW-A, STOW-A, SJW-A, SJOW-A, SJTW-A ó SJTOW-A.

- Cordón de extensión \_ Asegúrese que su cordón de extensión esté en buenas condiciones. Cuando lo use, esté seguro de utilizar uno suficientemente grueso para que transporte la corriente absorbida por su máquina. Un cordón de extensión subdimensionado ocasionará caídas de voltaje en la línea lo cual producirá pérdidas de potencia y sobrecalentamiento. La tabla a continuación le indica el tamaño correcto de cordón que debe usar de acuerdo a la longitud de la extensión y a la capacidad nominal de corriente indicada en la placa. Si tiene duda use el calibre mayor siguiente. A menor número de calibre, más grueso es el cordón. Para reducir, mientras funciona, el riesgo de desconexión del cordón del cultivador, use el gancho del cordón y la presilla de la correa descritas en este manual.

Voltaje	Longitud total del cordón en pies			
	25	50	100	150
Capacidad en amperios	AWG			
10-12	16	16	14	12

- El circuito a usarse con el cultivador debe tener, como protección, cortacircuitos de falla a tierra (GFCI). Se disponen de tomacorrientes con protección GFCI incorporada que pueden utilizarse como medida adicional de seguridad.
- Evite ambientes peligrosos. No opere el cultivador:
  - Cuando se halle bajo la influencia del alcohol, medicamentos o drogas.
  - En la lluvia o en áreas húmedas o mojadas.
  - En sitios donde están presentes líquidos o gases altamente inflamables.
  - Si el cultivador está dañado o no está ensamblado completamente y bien.
- Use siempre protección visual que cumpla o exceda los requerimientos de ANSI Z 87.1
- Si opera el cultivador en condiciones de polvo, use siempre máscara facial o para polvo.
- Vístase siempre adecuadamente. Mientras utilice el cultivador se recomienda usar lo siguiente:
  - Guantes de caucho y calzado robusto.

- Para sostener cabellos largos use un cobertor y protector de cabellos.
  - Evite usar ropas flojas o joyas que podrían quedar atrapadas en las púas giratorias.
- Inspeccione completamente el área en donde va a usarse el cultivador y retire cualquier objeto extraño.

### MIENTRAS OPERA EL CULTIVADOR

- Manténgase alerta. Use el sentido común mientras opera el cultivador.
- Esté atento al cordón de extensión mientras opera el cultivador. Tenga cuidado de no tropezarse con el cable. Mantenga siempre al cordón de extensión lejos de las púas.
- Mantenga lejos del cultivador y del cordón de extensión a todos los niños(as), animales y curiosos. Mantenga el área de operación libre de personas y mascotas.
- Agarre firmemente el manubrio con ambas manos. Nunca opere el cultivador con una mano.
- Esté alerta ya que el cultivador puede rebotar inesperadamente hacia arriba o saltar hacia adelante si las púas golpean un suelo extremadamente duro, compactado, congelado o con obstáculos enterrados como piedras grandes, raíces o tocones.
- No sostenga la máquina extendiendo mucho los brazos. Mantenga siempre el equilibrio y la estabilidad en los pies.
- Por seguridad no opere el cultivador en una pendiente demasiado empinada. Cuando esté en pendientes, disminuya la velocidad y asegúrese que sus pies estén bien estables.
- ¡IMPORTANTE!** Las púas pueden detenerse soltando la palanca de accionamiento.
- Antes de arrancar el cultivador, asegúrese que las púas no estén tocando objetos extraños.
- Tenga cuidado en no acercar las manos, cualquier parte del cuerpo o la ropa a las púas giratorias.



# MANUAL DEL PROPIETARIO



## ADVERTENCIAS SOBRE SEGURIDAD

### Continuación

11. Para mover el cultivador de un lugar a otro:
  - Apáguelo y desenchúfelo.
  - Hágalo rodar utilizando el conjunto de ruedas acopladas y en posición hacia abajo o de “transporte”.
  - Sostenga el mango de transporte. Nunca use los manubrios, púas, eje de las púas o guardabarros para transportar el cultivador.
12. No maltrate el cordón de alimentación. Nunca transporte el cultivador halándolo de este cable ni tampoco lo hale para desconectarlo del tomacorriente. Mantenga el cordón de alimentación lejos del calor, aceites o de bordes cortantes.
13. No fuerce al cultivador. Este hará mejor el trabajo y con menor probabilidad de riesgo de una lesión si lo usa a la velocidad para la que fue diseñada.

## MANTENIMIENTO Y ALMACENAMIENTO DEL CULTIVADOR

1. Desenchufe el cultivador de la fuente de alimentación
  - Cuando no se lo use.
  - Antes de moverlo de un lugar a otro.
  - Antes de darle servicio.
  - Antes de ensamblarlo, o antes de retirar las púas giratorias u otros aditamentos.
2. Inspeccione el cultivador antes y después de cada uso. Revise cualquier daño que pueda afectar la seguridad del operador o el funcionamiento del cultivador. Revise partes rotas o dañadas. No use el cultivador si el daño afecta a la seguridad o a la operación. Haga reparar el daño en un centro de servicio autorizado.
3. Mantenga cuidadosamente al cultivador
  - Nunca lo exponga a la lluvia o al agua.
  - Mantenga el manubrio seco, limpio y libre de aceite o grasa.
  - Mantenga todos los tornillos y tuercas ajustadas.
  - Inspeccione a menudo el cordón de alimentación. Si está dañado hágalo reparar en un centro de servicio autorizado.
  - Inspeccione a menudo los cordones de extensión y reemplácelos si están dañados.

4. Cuando realice servicio, use solamente partes de repuesto idénticas.
5. Para reducir el riesgo de sacudida eléctrica, este cultivador tiene un enchufe polarizado (una hoja es más ancha que la otra) por lo que se requerirá el uso de un cordón de extensión polarizado. El enchufe del cultivador se adaptará al cable de extensión polarizado solamente de una forma. Si el enchufe no se acopla completamente en el cable de extensión, invierta el enchufe. Si el enchufe aún no se adapta, consiga el correcto. Un cordón de extensión polarizado requerirá el uso de un tomacorriente de pared polarizado. Esta clavija se adaptará al tomacorriente polarizado solamente de una forma. Si el enchufe no se adapta completamente al tomacorriente de pared invierta el enchufe. Si aún así el enchufe no se adapta, póngase en contacto con un electricista calificado para instalar el tomacorriente de pared apropiado. No cambie de ninguna forma el enchufe del cultivador, la toma o el enchufe del cordón de extensión.
6. Guarde el cultivador inactivo bajo techo.- cuando no lo use, el cultivador debe ser almacenado en un lugar seco y bajo llave- fuera del alcance de los niños.

Este manual es su guía para una operación segura y apropiada de este cultivador. **Guarde estas instrucciones.**

# REMINGTON®

## CULTIVADOR ELÉCTRICO

### IDENTIFICACIÓN DEL PRODUCTO

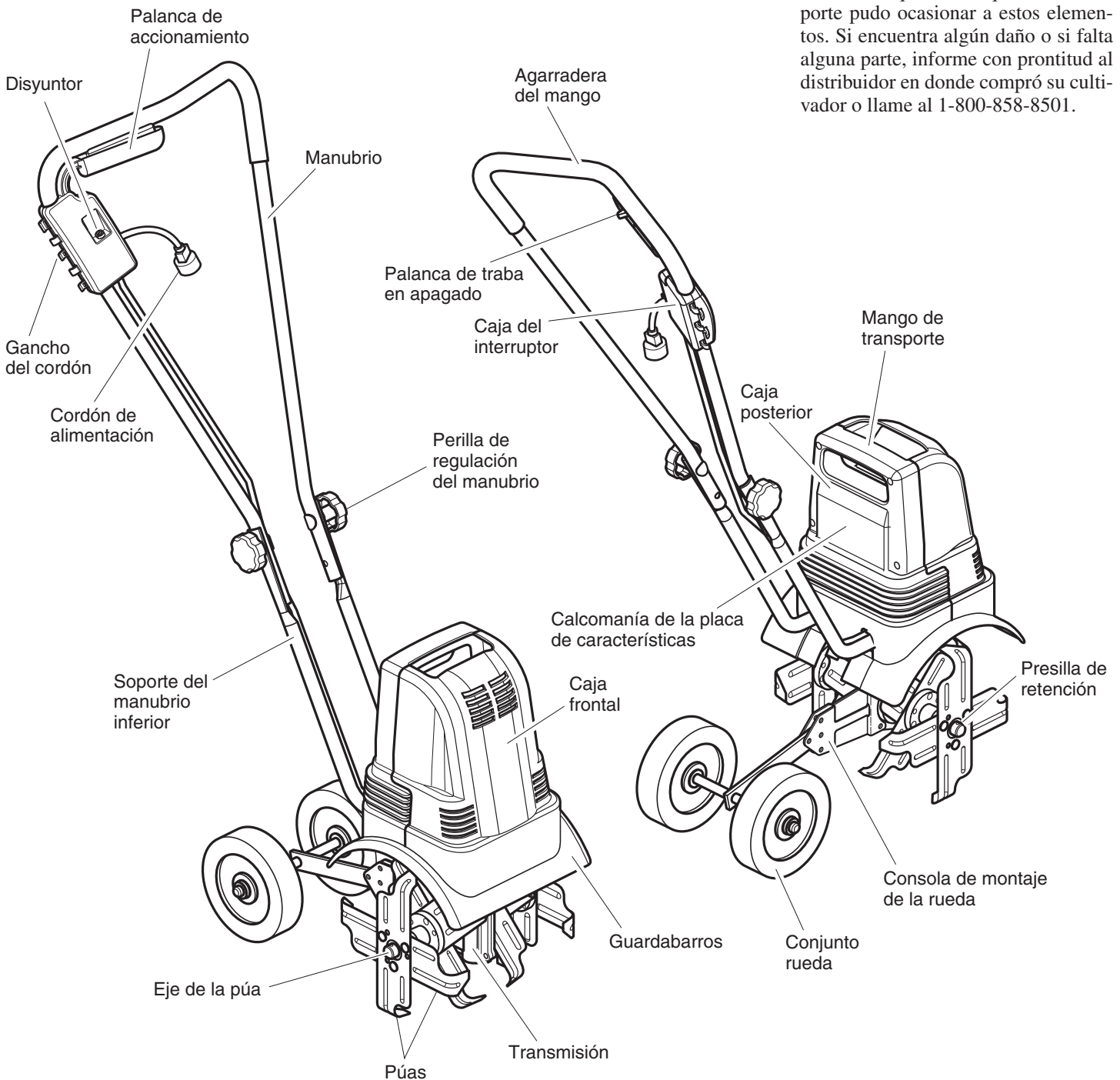


Figura 1 – Cultivador eléctrico

### DESEMPAQUE

1. Retire todos los elementos del cartón.
2. Revise cualquier daño que en el transporte pudo ocasionar a estos elementos. Si encuentra algún daño o si falta alguna parte, informe con prontitud al distribuidor en donde compró su cultivador o llame al 1-800-858-8501.

# MANUAL DEL PROPIETARIO

## ENSAMBLE

### DESDOBLAMIENTO Y REGULACIÓN DEL MANUBRIO

#### Desdoblamiento del manubrio

1. Afloje las perillas de regulación del manubrio. Gire el manubrio a la posición de operación (vea la figura 2). No fuerce el manubrio. Si se nota un endurecimiento, continúe aflojando las perillas de regulación. Tenga cuidado que el cordón de alimentación no quede apretado entre el manubrio y su soporte inferior.
2. Apriete las perillas de regulación del manubrio.

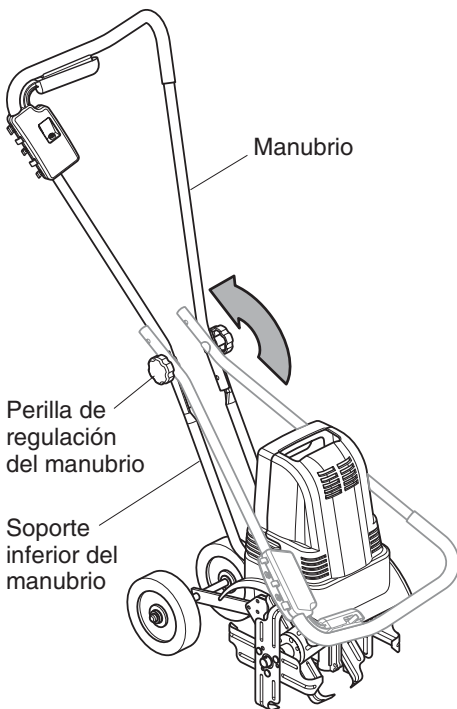


Figura 2 – Desdoblamiento del manubrio

#### Regulación de la altura del manubrio

El manubrio tiene dos ajustes disponibles para la altura. El cultivador es transportado con el manubrio colocado en la posición estándar o de menor altura. Si la altura es demasiado corta, regule la altura del manubrio a su posición extendida o más alta.

1. Afloje y retire del manubrio las perillas de regulación, arandelas y pernos tipo montura.
2. Coloque el manubrio de modo que sus orificios inferiores alineen con los orificios de los soportes inferiores del manubrio (Vea la figura 3). Inserte los pernos tipo montura por los orificios y vuelva a instalar las arandelas y perillas del manubrio.
3. Apriete las perillas de regulación del manubrio.

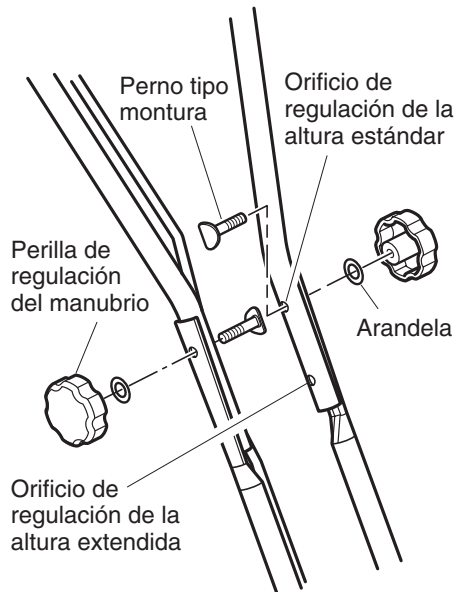


Figura 3 – Regulación de la altura del manubrio

#### Doblamiento del manubrio para almacenarlo

1. Afloje las perillas de regulación del manubrio. Gire el manubrio hacia adelante y hacia abajo por sobre la caja del cultivador (Vea la figura 4). No fuerce el manubrio. Si se nota un endurecimiento, continúe aflojando las perillas de regulación. Tenga cuidado que el cordón de alimentación no quede apretado entre el manubrio y su soporte inferior.
2. Apriete las perillas de regulación del manubrio.

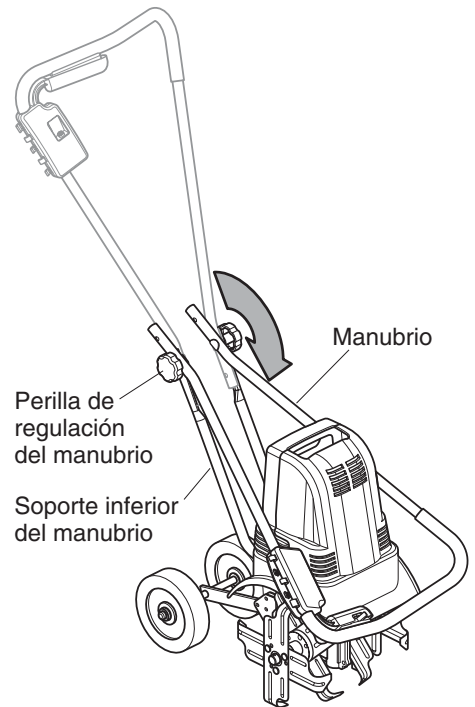


Figura 4 – Doblamiento hacia abajo del manubrio

Continuación

# REMINGTON®

## CULTIVADOR ELÉCTRICO

### ENSAMBLE

#### Continuación

### REGULACIÓN DEL CONJUNTO RUEDA

#### Regulación del conjunto rueda para el transporte

1. Retire la presilla de retención y el eje pasador de la consola de montaje del conjunto ruedas (vea la figura 5).
2. Gire hacia abajo al conjunto rueda de modo que, como se muestra en la figura 6, el orificio del conjunto rueda alinee con el orificio central de la consola de montaje.
3. Como se muestra en la figura 6, inserte el eje pasador por los orificios alineados y coloque la presilla de retención en el eje pasador. Las ruedas están ahora montadas en la posición de transporte.

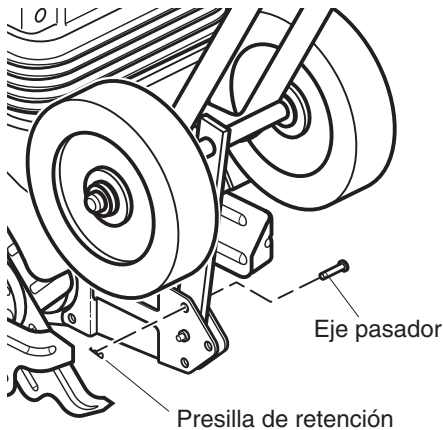


Figura 5 – Retiro de la presilla de retención y el eje pasador

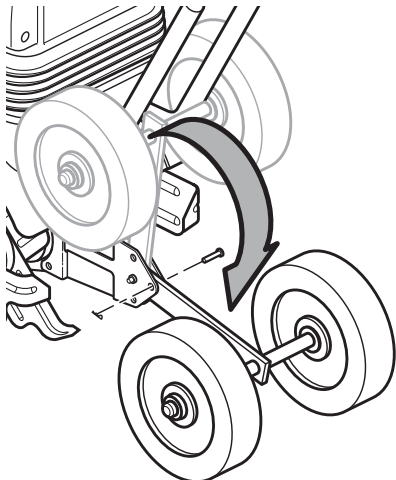


Figura 6 – Regulación del conjunto rueda a la posición de transporte

#### Regulación del conjunto rueda para cultivar

1. Retire la presilla de retención del eje pasador y retire el eje pasador de la consola de montaje y del conjunto ruedas.
2. Gire el conjunto ruedas hacia arriba y hacia adelante como se muestra en la figura 7 hasta que el orificio del conjunto rueda alinee con el orificio superior de la consola de montaje.
3. Inserte el eje pasador por los orificios alineados y coloque la presilla de retención en el eje pasador. Las ruedas están ahora montadas en la posición de cultivo.

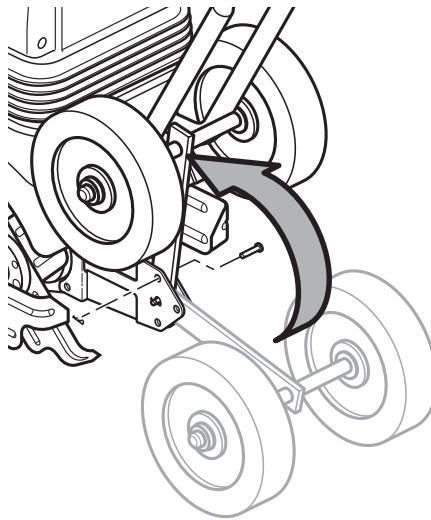


Figura 7 – Regulación del conjunto ruedas a la posición de cultivo

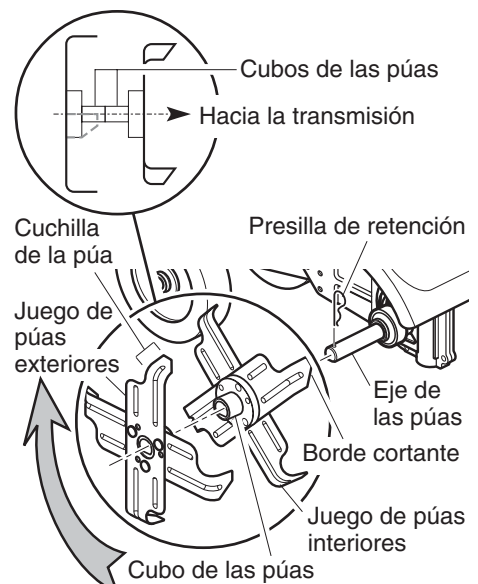
### RETIRO E INSTALACIÓN DE LA PÚA

**⚠ ADVERTENCIA:** Desenchufe siempre el cultivador antes de colocar las manos cerca de las púas. Use siempre guantes para proteger sus manos de los bordes cortantes de las púas.

**IMPORTANTE:** El cultivador tiene cuatro juegos diferentes de púas. Para un desempeño apropiado, las púas deben estar siempre instaladas correctamente como se muestra en la figura 8. Cuando están ensambladas correctamente, el borde cortante en ángulo de las púas debería girar hacia la parte frontal del cultivador. Las cuchillas de todas las púas deberían apuntar hacia la transmisión. Los cubos de los juegos interior y exterior de las púas deberían estar el uno frente al otro como se muestra en la figura 8.

#### Retiro e instalación de la púa

1. Retire la presilla de retención del extremo del eje de las púas.
2. Retire el juego exterior de púas de su eje.
3. Retire el juego interior de púas de su eje.
4. Vuelva a instalar las presillas de retención en el eje de las púas para evitar que estas se coloquen mal.
5. Para instalar las púas invierta los pasos arriba indicados.



Rotación de las púas durante la operación

Figura 8 – Retiro e instalación de las púas

# MANUAL DEL PROPIETARIO

## OPERACIÓN DEL CULTIVADOR

**⚠ ADVERTENCIA:** Antes de operar este cultivador lea y entienda este manual del propietario. Asegúrese de leer y entender todas las advertencias sobre seguridad de las páginas 18 y 19. El uso inadecuado de este cultivador puede ocasionar lesiones graves o la muerte sea por incendio, sacudida eléctrica o por contacto del cuerpo con partes móviles.

## CORDONES DE EXTENSIÓN

Use siempre los cordones de extensión apropiados para este cultivador. Use solamente cordones de extensión marcados para uso exterior. El cordón debe estar marcado con el subfijo W o W-A seguido de la designación del tipo de cordón. *Ejemplo:* SJTW-A ó SJTW.

Use el tamaño de cordón apropiado para este cultivador. El cordón debe ser lo suficientemente grueso para que transporte la corriente necesaria. Un cordón subdimensionado ocasionará caída de voltaje en el cultivador. El cultivador perderá potencia y se calentará excesivamente. Siga los requisitos listados más abajo referentes al tamaño del cordón.

Longitud del cordón	Calibre AWG del cordón
25 pies	16 AWG
50 pies	16 AWG
100 pies	14 AWG
150 pies	12 AWG

Mantenga el cordón lejos de las púas giratorias. Inspeccione a menudo el cordón. Reemplace los cordones dañados.

## SUJECCIÓN DEL CORDÓN DE EXTENSIÓN

La caja del interruptor tiene un enganche para el cordón de extensión hecho de una serie de ganchos alternativos (vea la figura 9). Esta característica puede ser usada para asegurar al manubrio del cultivador el extremo del cordón de extensión que tiene tomacorriente evitando que el cordón de alimentación se desconecte accidentalmente. Para ayudar a manejar el cable se incluye también una presilla de la correa la cual mantiene el cable en el lado del usuario y lejos de las púas del cultivador.

### Para asegurar el cordón de extensión al cultivador

1. Empiece aproximadamente a 6 pulgadas del extremo del cordón de extensión que tiene tomacorriente y entrelace el cordón por entre los ganchos de la caja del interruptor como se muestra en la figura 9, de modo que el tomacorriente quede colgado por debajo de la caja del interruptor.
2. Empiece entrelazando el cordón de extensión por la parte superior del gancho inferior y alterne por debajo y encima de los ganchos de modo que el cordón quede por último en la parte superior del último gancho.
3. Enchufe el cordón de alimentación del cultivador en el cordón de extensión.

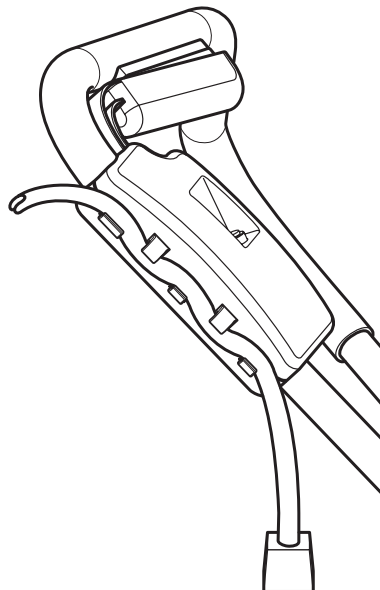


Figura 9 – Aseguramiento del cordón de extensión

## PROTECCIÓN CON DISYUNTOR

Este cultivador está equipado con un disyuntor ubicado en la parte superior de la caja del interruptor (vea la figura 10). El disyuntor protege al motor del cultivador contra sobrecorriente en caso que las púas llegaran a atascarse o bloquearse en una piedra, raíz u otra obstrucción.

Si el disyuntor se dispara mientras se lo usa, el botón blanco saltará fuera de la caja y tanto el motor eléctrico como las púas dejarán de girar.

### Reposición del disyuntor

1. Suelte completamente la palanca de accionamiento.
2. Desenchufe del cordón de extensión el cordón de alimentación del cultivador.
3. Desaloje y retire cualquier obstáculo que ocasionó el atascamiento de las púas.

**⚠ ADVERTENCIA:** Desenchufe siempre el cultivador antes de colocar las manos cerca de las púas. Use siempre guantes para proteger sus manos de los bordes cortantes de las púas.

4. Presione el botón de reposición ubicado atrás del disyuntor y dentro de la caja (vea la figura 10). El botón debería quedar presionado cuando se lo suelta. Enchufe de nuevo el cordón de alimentación del cultivador en el cordón de extensión.
5. Sujete firmemente el área de agarre del manubrio y continúe cultivando.

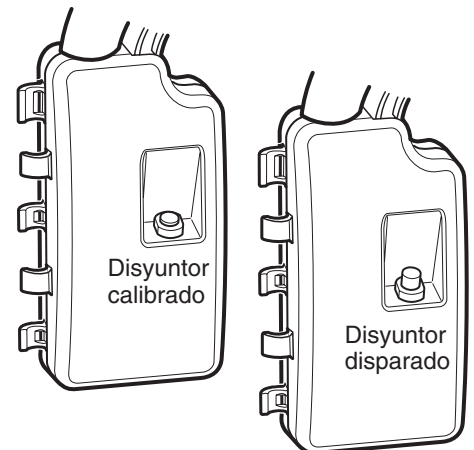


Figura 10 – Botón del disyuntor

Continuación



# REMINGTON®

## CULTIVADOR ELÉCTRICO

### OPERACIÓN DEL CULTIVADOR

#### Continuación

#### ARRANQUE DEL CULTIVADOR

1. Sujete firmemente y con ambas manos el área de agarre del manubrio.
2. Use su pulgar para deslizar completamente a la derecha la palanca de traba en apagado (vea la figura 11). Esto suelta la palanca de accionamiento.
3. Apriete completamente la palanca de accionamiento (vea la figura 11). El motor arrancará y las púas empezarán a girar. Una vez que arranca el cultivador, puede soltarse la palanca de traba en apagado.
4. **IMPORTANTE:** Para detener el cultivador, suelte la palanca de accionamiento. El motor se apagará y las púas dejarán de girar. Ahora la palanca de accionamiento está de nuevo trabada en apagado.



Figura 11 – Palanca de traba en apagado y palanca de accionamiento

### OPERACIÓN BÁSICA DEL CULTIVADOR

Use el cultivador para romper el césped, preparar el semillero y para el cultivo de jardines y cuadros de flores. El cultivador puede también cavar pequeños huecos para la plantación de árboles tiernos y plantas de maceta.

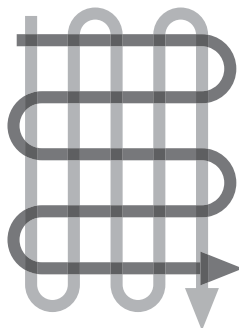
Deje que el cultivador haga la mayor parte del trabajo. Durante la operación las púas halarán al cultivador hacia adelante. Al halar el cultivador hacia atrás donde usted se halla, las púas cavarán más profunda y agresivamente.

Para romper el césped o cultivar a profundidad, deje que las púas halen al cultivador hacia adelante hasta el extremo del alcance de sus brazos, luego vuelva a halar al cultivador hacia usted. El cultivador será lo más eficiente si permitimos repetidamente que se mueva hacia adelante y luego halarlo hacia atrás donde usted se halla.

Si el cultivador ya cavó lo suficiente en un sitio, muévelo suavemente de un lado a otro para que empiece de nuevo a moverse hacia adelante.

Para preparar el semillero, recomendamos usar uno de los modelos de cultivo que se muestra en la figura 12.

Modelo de cultivo uno – Realice dos pasadas sobre el área a ser cultivada, la segunda a un ángulo recto respecto a la primera.



Modelo de cultivo dos – Haga dos pasadas sobre el área a ser cultivada, la segunda traslapa a la primera.



Figura 12 – Modelos de cultivo recomendados

### MANEJO DEL CORDÓN DE EXTENSIÓN

Igual que con cualquier podadora eléctrica o electrodoméstico para jardín, mientras use el cultivador aplique su sentido común para mantener el cordón de extensión en una ubicación segura y lógica.

Con el cultivador se incluye una presilla de la correa que es útil y que le permite asegurar el cordón de extensión a su cintura lo cual facilita el manejo del cordón (vea la figura 13). Es recomendable que la presilla de la correa y el cordón de extensión estén asegurados a su lado derecho. Para fácil maniobra mantenga una holgura suficiente entre el cultivador y la presilla de la correa.

**⚠ ADVERTENCIA:** Mientras opera el cultivador esté alerta al cordón de extensión. Asegúrese de no tropezarse con el cordón. Mantenga siempre el cordón lejos de las púas.

Cuando cultive por filas, empiece con la fila que está más cerca al tomacorriente casero que está usando como fuente de alimentación. Empiece cultivando la fila en una dirección que le permita mantener el cordón de extensión a su lado derecho. Cuando el cultivador alcanza el extremo de la fila, gire la posición del cultivador en dirección contraria para trabajar en la siguiente fila. Recuerde, si mantiene el cordón de extensión detrás de usted y a su derecha, le será más fácil el manejo de este cordón.

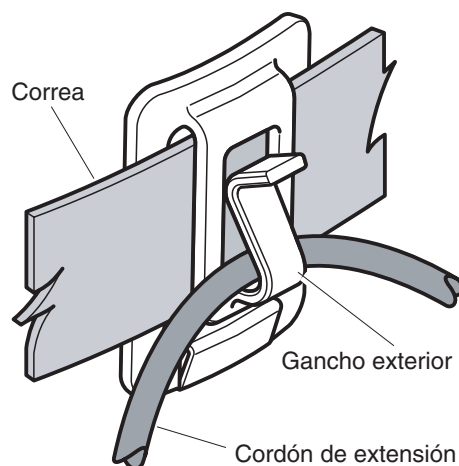


Figure 13 – Presilla de la correa para el cordón de extensión

## OPERACIÓN DEL CULTIVADOR

### Continuación

### RETIRO DE OBJETOS EXTRAÑOS DE LAS PÚAS

Mientras se usa, una piedra o una raíz podría alojarse en las púas o el césped alto o maleza podrían envolverse alrededor del eje de las púas.

Para limpiar las púas suelte la palanca de accionamiento. Desenchufe el cultivador y desaloje o retire cualquier obstáculo de las púas o del eje de las púas.

**⚠ ADVERTENCIA:** Desenchufe siempre el cultivador antes de colocar las manos cerca de las púas. Use siempre guantes para proteger sus manos de los bordes cortantes de las púas.

Para retirar con facilidad el césped alto o malezas que estén envueltas alrededor del eje de las púas, retire una o más púas del eje. Vea en la página 22, *Retiro e instalación de las púas*.

Cuando usted ha despejado las púas de obstáculos, vuelva a instalarlas en el eje. Enchufe el cordón de alimentación del cultivador en el cordón de extensión. Sujete firmemente con ambas manos el área de agarre del manubrio y reanude la operación normal de cultivo.

## LIMPIEZA Y MANTENIMIENTO

**⚠ ADVERTENCIA:** Antes de limpiar o dar servicio al cultivador desenchúfelo de la fuente de alimentación. Podrían ocurrir lesiones graves o la muerte sea por incendio, sacudida eléctrica o por contacto del cuerpo con partes móviles.

**⚠ ADVERTENCIA:** Cuando limpie el cultivador:

- No lo sumerja en ningún líquido.
- No use productos que contengan amoníaco, cloro o abrasivos.
- No use solventes de limpieza con cloro, tetracloruro de carbono, kerosene o gasolina.

### LIMPIEZA DEL CULTIVADOR

1. Para limpiar la tapa frontal y posterior y el guardabarros, use un paño suave humedecido con una mezcla de agua y jabón suave. No rocíe ni vierta el agua directamente en las tapas frontal o posterior. Pase con un paño húmedo las tapas frontal y posterior y el guardabarros.
2. Retire la tierra y desechos de las púas y de la transmisión, use un cepillo de cerdas duras o un paño húmedo. No rocíe ni vierta agua directamente en el cultivador.
3. Para una limpieza más fácil, retire las púas del eje. Vea en la página 22, *Retiro e instalación de las púas*.
4. Una vez limpio, seque con un paño el eje de las púas y antes de volver a instalar las púas aplique una ligera capa de aceite al eje.

### REVISIÓN DEL LUBRICANTE DE LA TRANSMISIÓN

1. Desenchufe el cultivador de la fuente de alimentación.
2. Localice el tornillo de engrase ubicado arriba del eje de las púas al lado derecho de la transmisión (vea la figura 14).

3. Apoye al cultivador sobre su lado izquierdo. Retire el juego de púas del lado derecho para tener fácil acceso al tornillo de engrase. Vea en la página 22, *Retiro e instalación de las púas*.
4. Limpie la transmisión para evitar que el polvo y los desechos entren en ella.
5. Usando un destornillador cabeza Philips (estrella), retire el tornillo de engrase de la caja de transmisión.
6. Si la grasa no está visible en el orificio, usando una pistola de engrase estándar, añada grasa a base de petróleo, de alta calidad y con clasificación para automotores. Coloque firmemente la boquilla de la pistola de engrase contra el borde del orificio y añada grasa hasta que esta empiece lentamente a fluir hacia afuera y alrededor del borde de la boquilla.
7. Vuelva a instalar el tornillo de engrase y con un paño retire cualquier exceso de grasa.
8. Vuelva a ensamblar los juegos de púas. Vea en la página 22, *Retiro e instalación de las púas*.

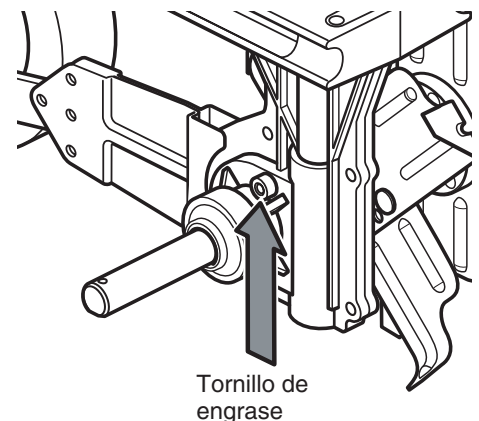


Figura 14 – Tornillo de engrase

### OTROS PUNTOS DE LUBRICACIÓN RECOMENDADOS

**Perillas de regulación del manubrio:** Rocíe de vez en cuando un lubricante tipo silicona alrededor de los pernos tipo montura.

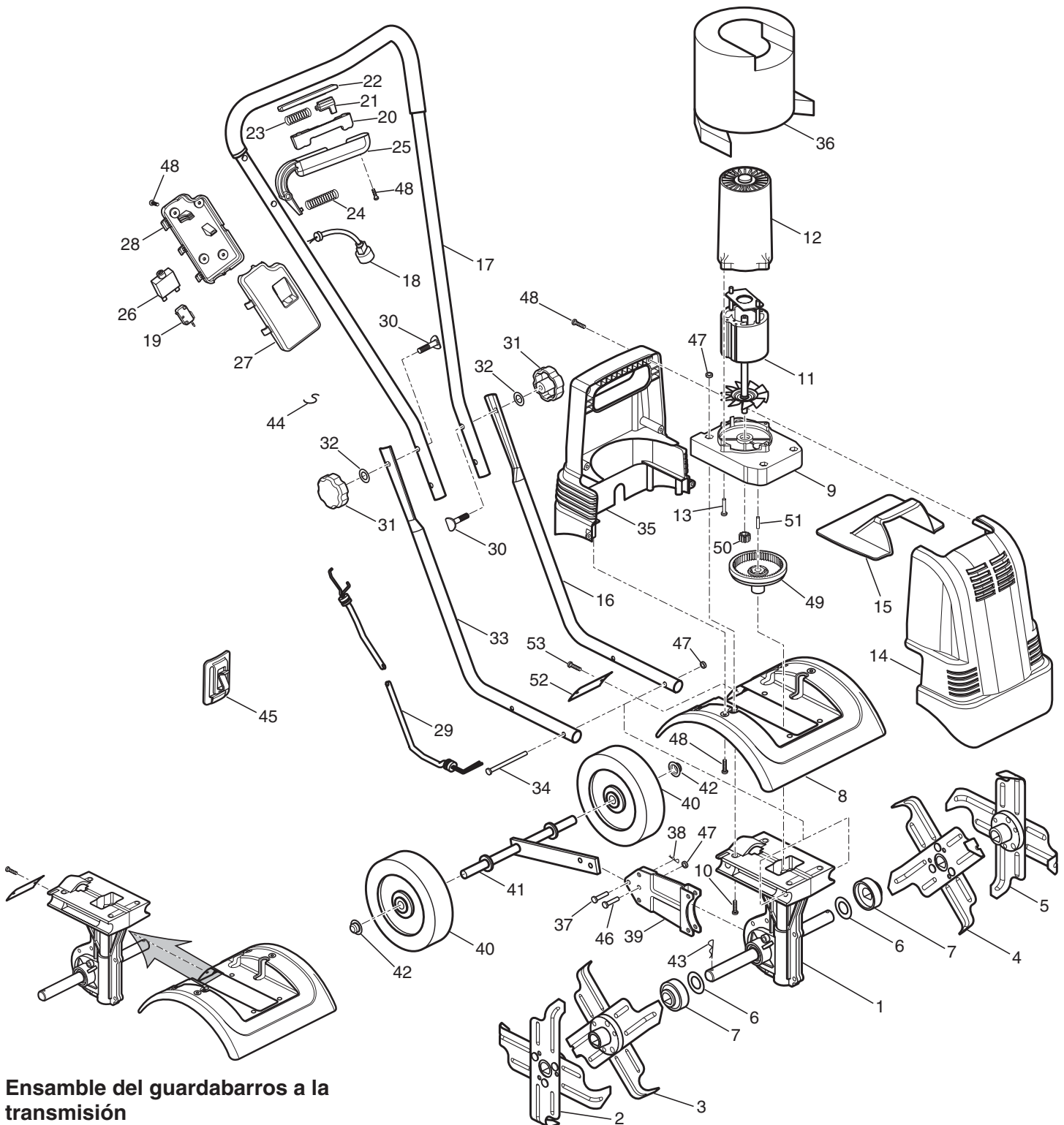
**Eje de las púas:** Luego de cada uso, retire las púas, limpie el eje de las púas usando papel lija fino y aplique una ligera capa de aceite al eje. Esto facilitará futuras instalaciones o retiros de las púas.

# REMINGTON®

## CULTIVADOR ELÉCTRICO

### DESARME ILUSTRADO DE PARTES

CULTIVADOR ELÉCTRICO  
Modelo 109312-01



Ensamble del guardabarros a la transmisión

# MANUAL DEL PROPIETARIO

## LISTA DE PARTES

### CULTIVADOR ELÉCTRICO

Modelo 109312-01

Esta lista contiene las partes de repuestos usadas en su cultivador. Cuando solicite partes, asegúrese de dar el número correcto del modelo, luego el número de parte y la descripción de la parte deseada.

No. Clave	No. de Parte	Descripción	Cantidad	No. Clave	No. de Parte	Descripción	Cantidad
1	109384-01	Conjunto Transmisión	1	29	109347-01	Cordón de alimentación	1
2	109342-01	Conjunto púas	1	30	109367-01	Perno con cabeza tipo montura 0,312-18 x 1,5 pulgadas	2
3	109342-04	Conjunto púas	1				
4	109342-02	Conjunto púas	1	31	109366-01	Perilla del manubrio	2
5	109342-03	Conjunto púas	1	32	WLE-5	Arandela de presión del diente exterior	2
6	109349-01	Arandela de felpa	2				
7	109339-01	Tapa contra el polvo	2	33	108444-02	Soporte derecho del manubrio	1
8	109332-01	Guardabarros	1	34	H5C4-40C	Perno cabeza hexagonal 0,25-20 x 5 pulgadas	2
9	109333-01	Conjunto plancha del rodamiento	1				
10	H5C4-20C	Perno cabeza hexagonal 0,25-20 x 2,5 pulgadas	4	35	109344-01	Caja posterior	1
11	109385-01	Conjunto motor	1	36	109341-01	Espuma aislante	1
12	076014	Conjunto carcasa del motor	1	37	109368-01	Eje pasador 0,25 x 1 pulgadas	1
13	059045	Tornillo autorroscante cabeza redondeada	4	38	109369-01	Presilla de retención	1
				39	109356-01	Consola del conjunto rueda	1
14	109343-01	Caja frontal	1	40	109374-01	Rueda	2
15	109345-01	Reductor de la resistencia de aire	1	41	109358-01	Conjunto eje	1
16	108444-01	Soporte izquierdo del manubrio	1	42	109377-01	Tapa de la tuerca	2
17	108443-01	Conjunto tubo del manubrio superior	1	43	109365-01	Presilla de retención	2
				44	109364-01	Presilla del cordón	4
18	099829-05	Cordón con vaina	1	45	109361-01	Presilla de la correa	1
19	107729-01	Micro interruptor	1	46	H5C4-8C	Perno cabeza hexagonal 0,25-20 x 1 pulgadas	1
20	109360-01	Tapa lateral de la traba en apagado	1	47	NEC-4C	Contra tuerca hexagonal 0,25-20	7
21	109355-01	Corredera de la traba en apagado	1	48	059046	Tornillo autorroscante cabeza redondeada, PR #8, tipo 25	16
22	109354-01	Bloque de tope	1	49	109336-01	Rueda dentada	1
23	107694-01	Resorte de la traba en apagado	1	50	059606	Engranaje impulsor	1
24	109357-01	Resorte del gatillo	1	51	075676	Rodamiento de rodillos de la rueda dentada	1
25	109353-01	Palanca de accionamiento	1				
26	22616013	Disyuntor	1	52	109350-01	Placa del guardabarros	1
27	109351-01	Caja superior del gatillo	1	53	103708-01	Tornillo, PPH TPG "B"	2
28	109352-01	Caja inferior del gatillo	1				

# REMINGTON®

## CULTIVADOR ELÉCTRICO

### ANÁLISIS DE AVERÍAS

*Nota:* Para ayuda adicional visite la página web del servicio técnico internacional de DESA al [www.desatech.com](http://www.desatech.com).

**⚠ ADVERTENCIA:** Antes de dar servicio al cultivador desconéctelo de la fuente de alimentación. Podrían ocurrir lesiones graves o la muerte sea por incendio, sacudida eléctrica o por contacto del cuerpo con partes móviles.

#### PROBLEMA

El motor no funciona cuando se aprieta la palanca de accionamiento

#### CAUSA PROBABLE

1. La palanca de traba en apagado no está presionada para que suelte la palanca de accionamiento
2. La conexión del cordón de extensión está floja
3. El disyuntor del cultivador está disparado
4. El disyuntor de la casa está disparado o un fusible de línea está abierto
5. Escobillas deterioradas del motor
6. Cableado abierto en el cultivador

#### ACCIÓN CORRECTIVA

1. Presione completamente la palanca de traba en apagado antes de apretar la palanca de accionamiento (vea en la página 24, *Arranque del cultivador*)
2. Revise las conexiones del cordón
3. Revise el disyuntor del cultivador. (Vea *Protección con disyuntor*, página 23)
4. Revise el disyuntor o el fusible de línea (Vea en la página 23, *Protección con disyuntor*)
5. Visite un centro de servicio autorizado
6. Visite un centro de servicio autorizado

El motor funciona, pero las púas no se mueven

Falla del tren de engranaje

Visite un centro de servicio autorizado

Sale humo del cultivador

Cultivador dañado. No lo use

Visite un centro de servicio autorizado

### SERVICIO TÉCNICO

Pueda que usted tenga preguntas adicionales acerca del ensamble, operación o mantenimiento de este cultivador. Si es así, póngase en contacto con el departamento de servicio técnico de DESA Internacional al 1-800-858-8501.

Puede usted visitar también la página web del servicio técnico de DESA Internacional al [www.desatech.com](http://www.desatech.com).

### SERVICIO DE REPARACIÓN

*Nota:* Use solamente partes de repuesto originales. Esto protegerá la cobertura de su garantía en repuestos reemplazados bajo esta garantía.

Cada centro de servicio autorizado opera independientemente y tiene diferente propietario. Para mayor información sobre centros de servicio o sobre la garantía llame al 1800-858-8501.

### PARTES DE REPUESTO

Para conseguir partes de repuesto originales, póngase en contacto con distribuidores autorizados de este producto o con su central más cercana de repuestos que se listan más abajo.

### SERVICIO DE GARANTÍA

Si el cultivador requiere servicio de garantía, devuélvalo al centro de servicio autorizado más cercano. Debe mostrar la prueba de compra. Si se produjo un daño por mano de obra o materiales defectuosos, nosotros sin ningún costo repararemos o reemplazaremos el cultivador. *Nota:* No está cubierto bajo la garantía el uso normal, mal uso, abuso, negligencia o daño accidental.

### SERVICIO FUERA DE LA GARANTÍA

Si el cultivador requiere servicio, devuélvalo al centro de servicio autorizado más cercano. Las reparaciones le serán facturadas a precios de reparación regulares según lista.



# MANUAL DEL PROPIETARIO

## DISTRIBUIDORES DE REPUESTOS

Ray's Portable Heater Service  
3191 Myers Road  
Camino, CA 95709-9550  
530-644-7716

Shamay's Enterprises  
P.O. Box 3714  
58643 Knox-Niman Lane  
Landers, CA 92285  
760-364-2046

Baltimore Electronics  
1348 Dixwell Avenue  
Hamden, CT 06514-0322  
203-248-7553  
1-800-397-7553

Eckley's Small Engine  
31617 Spruce Drive  
Eustis, FL 32726-9592  
352-357-6764

Parts Company of America  
1657 Shermer Road  
Northbrook, IL 60062-5362  
708-498-5900  
1-800-323-0620  
www.grainger.com

Portable Heater Parts  
342 North County Road 400 East  
Valparaiso, IN 46383-9704  
219-462-7441  
1-800-362-6951  
www.portableheaterparts.com  
sales@portableheaterparts.com  
techservice@portableheaterparts.com

FBD  
1349 Adams Street  
Bowling Green, KY 42103-3414  
270-846-1199  
1-800-654-8534  
franktalk@aol.com

Lyons & Lyons Sales Co. Inc.  
Glen Arm Road  
Glen Arm, MD 21057-9454  
410-665-6500  
1-800-333-5966  
lyonsco@erols.com

Master Part Distributors  
1251 Mound Avenue NW  
Grand Rapids, MI 49504-2672  
616-791-0505  
1-800-446-1446

Hance Distributors Inc.  
12795 16th Avenue North  
Plymouth, MN 55441-4556  
763-559-2299  
www.hanceco.com

Automotive Equipment Service  
3117 Holmes  
Kansas City, MO 64109-1716  
816-531-9144  
1-800-843-3546  
www.aes-lawnparts.com

Bowden Electric Motor Service  
1681 S. Wesleyan Blvd.  
Rocky Mount, NC 27803  
252-446-4203

Forrest Lytle and Sons Inc.  
740 West Galbraith Road  
Cincinnati, OH 45231-6002  
513-521-1464

Bortz Chain Saw Shop  
Road #2, Box 64A  
Oley, PA 19547-9412  
610-987-6452

21st Century  
2950 Fretz Valley Road  
Perkasie, PA 18944-4034  
215-795-0400  
1-800-325-4828

Laportes Parts and Service  
2444 N 5th Street  
Hartsville, SC 29550-7704  
843-857-0222

Webbs Appliance Center  
1519 Church Street  
Nashville, TN 37203-3004  
615-329-4079  
1-800-899-4079

Industrial Hardware  
4109 Bainbridge Blvd.  
Chesapeake, VA 23324-1403  
804-543-2232  
1-800-788-0008  
catatam@erols.com

Mills Lawn and Garden  
928 Commonwealth Place  
Virginia Beach, VA 23464  
757-361-9293  
www.mills-parts.com

Tuco Industrial Products  
5223 180th Street SW  
Suite 4A-1  
Lynnwood, WA 98037-4506  
425-743-9533  
1-800-735-1268  
www.tucoheat.com

## CENTRO DE SERVICIO AUTORIZADO

**ALABAMA (AL)**  
A & O General Repair Service  
1470 Opelika Road  
Auburn, AL 36830  
334-821-7022

Southern Power Tool  
3956 Government Blvd.  
Mobile, AL 36693  
334-639-8188

**ARIZONA (AZ)**  
Best Brothers Lawnmower Repair  
5549 W. Glendale Avenue  
Glendale, AZ 85301  
602-939-9170

D & L Small Engines, Inc.  
10023 North 19th Ave.  
Phoenix, AZ 85021  
602-861-1978

Power Tool Service Center  
660 East 19th Street  
Tucson, AZ 85719  
520-884-8974

**CALIFORNIA (CA)**  
Ray's Portable Heater Service  
3191 Meyers Road  
Camino, CA 95709  
530-644-7716

California Electric Service  
612 South Shoppers Lane  
Covina, CA 91723  
818-915-4935

California Electric Company  
1208 East Ash Avenue  
Fullerton, CA 92631  
714-870-0900

J & N Garden Equipment  
4460 W. Imperial Hwy.  
Inglewood, CA 90304  
310-671-0079

Shamay's Enterprises  
P.O. Box 3714  
58643 Knox-Niman Lane  
Landers, CA 92285  
760-364-2046

California Electric Service  
2594 East Colorado Blvd.  
Pasadena, CA 91107  
626-792-3194

West Coast Contractors Supply  
#28 13th Street  
San Francisco, CA 94103  
415-861-6124

Leete Electric Company  
930 Petaluma Hill Road  
Santa Rosa, CA 95404  
707-545-0484

Rincon Valley Yard & Garden  
4972 Sonoma Hwy  
Santa Rosa, CA 95409  
707-593-4124

California Electric Service  
14753 Oxnard Street  
Van Nuys, CA 91411  
818-997-8855

Power Outdoor Equipment  
3160 Industrial Drive  
Yuba City, CA 95993  
530-671-1871

**COLORADO (CO)**  
McGuckin Power Equipment Center  
2845 Valmont Road  
Boulder, CO 80302  
303-443-9317

Ace Mower and Small Engines  
4718 Chromium Drive  
Colorado Spring, CO 80918  
719-593-0862

Bartell Tool Service  
1448 W. Cedar Avenue  
Denver, CO 80223  
303-777-5463

Metrogas Equipment Company  
790 West 64th Ave.  
Denver, CO 80221  
303-428-3036

Winfrey's Jones LLP  
317 8th Street  
Greeley, CO 80631  
970-353-9576

AAA Electric Company, Inc.  
24 South Main Street  
Longmont, CO 80501  
303-776-6031

Dales Electric Motor Repair  
932 Coffman Street  
Longmont, CO 80501  
303-651-6907

**CONNECTICUT (CT)**  
Baltimore Electronics  
5 Manila Ave.  
Hamden, CT 06514  
203-248-7553  
1-800-397-7553

Utility Electric Service  
53 Main Street  
Hartford, CT 06106  
860-246-7271

Goodies Sales and Service  
133 Hamilton Street  
New Haven, CT 06515  
203-865-1470

**FLORIDA (FL)**  
301 Mower Shop  
5724 15th Street E.  
Bradenton, FL 34203  
941-758-7844

Eckley's Small Engine  
31617 Spruce Drive  
Eustis, FL 32736  
352-357-6764

Al's Small Engine, Inc.  
2496 Blanding Blvd.  
Middleburg, FL 32068  
904-282-5472

Lindle & Sons Electric Motor Repair  
7016 Hwy. 22  
Panama City, FL 32401  
850-871-1722

Eustis and Sons, Inc.  
7035 66th Street North  
Pinellas Park, FL 34665  
727-544-1486

A1A Small Engines & Equipment  
420 S. Dixie Hwy. E.  
Pompano Beach, FL 33060  
954-946-5044

Mulvaney's Inc.  
2148 W. Tennessee Street  
Tallahassee, FL 32304  
850-576-5578

**GEORGIA (GA)**  
Hamilton Hardware  
5300 Veterans Pkwy.  
Columbus, GA 31904  
706-322-6545

Able Tool Rental  
3360 Fairburn Road  
Douglasville, GA 30135  
770-949-1932

Douglasville Ace Hardware  
6530 Church Street  
Douglasville, GA 30133  
770-942-7044

Continuación

# REMINGTON®

## CULTIVADOR ELÉCTRICO

ASAP Equipment Services  
3560 C Buford Hwy  
Duluth, GA 30096  
678-584-5462

Fayette Mower & Appliance  
395 S. Glynn St.  
Fayetteville, GA 30215  
770-461-9400

S & P Rental & Supply Co.  
259 Grayson Hwy  
Lawrenceville, GA 30245  
770-963-0392

Spray Solutions  
476 Flowing Wells Rd. D-1  
Martinez, GA 30907  
706-855-1293

Tifton Electric Motors  
1265 US Hwy. 82E  
Tifton, GA 31794  
912-382-4040

### IDAHO (ID)

Rossiter Electric  
1501 S. Capitol Ave.  
Idaho Falls, ID 83403  
208-529-3665

Steam Store Rocky Mountain, Inc.  
155 North Gate Mile  
Idaho Falls, ID 83401  
208-522-0609

J & J Enterprises  
1704 Addison Avenue East  
Twin Falls, ID 83301  
208-733-2001

### ILLINOIS (IL)

Uline Lawn Equipment  
290 W. Squk Trail  
Chicago Heights, IL 60411  
708-755-2227  
708-755-1533 (Fax)

Lange Electric  
912 E. Fayette  
Effingham, IL 62401  
217-347-7626

Carter's Small Engine Repair  
206 N. Hickory Street  
Galatia, IL 62935  
618-268-4814

H & R Pump Company, Inc.  
2111 E. Washington Street  
Joliet, IL 60434  
815-726-2950

### INDIANA (IN)

Hutchens Sales and Service  
R.R. #5, Box 550  
Bloomfield, IN 47424  
812-876-1891

Nichols Ice & Oil  
2018 Park Road  
Connersville, IN 47331  
765-825-3741

B & W Repair Service  
213 N. Main Street  
Dale, IN 47523  
812-937-2576

Industrial Motor & Electrical Supply, Inc.  
64466 State Road 19  
Goshen, IN 46526  
219-862-4044

Tyrie Mower Repair  
110 South 16th Street  
Lafayette, IN 47905  
765-742-7886

Kabelin True Value Hardware  
512 Andrew Avenue  
Laporte, IN 46350  
219-362-7917

Lear Lawn & Garden  
2204 N. Wolfe Street  
Muncie, IN 47303  
765-282-6273

Li'l Engine Sales & Service, Inc.  
1428 Vincennes Street  
New Albany, IN 47150  
812-944-1377

Portable Heater Parts  
342 North County Road, 400 East  
Valparaiso, IN 46383  
219-462-7441

D W Handy's  
217 West 15th St.  
Vincennes, IN 47591  
812-886-0172

New Paris Farm Store  
68443 W. Main Street  
P.O. Box 96  
New Paris, IN 46553  
219-831-4823

### IOWA (IA)

Beal's Motor Rewinding  
600 West Beach  
Cherokee, IA 51012  
712-225-6173

Blink Electric Motors  
Rear 116 N. 1st Ave.  
Marshalltown, IA 50158  
641-752-3036

Northeast Iowa Motor Service  
24665-150th Street  
Sumner, IA 50674  
563-578-5883

Black Hawk Rental  
324 West 15th Street  
Waterloo, IA 50702  
319-234-4421

### KANSAS (KS)

Abilene Rent-All & Sales  
1701 West 1st Street  
Abilene, KS 67410  
785-263-7668

NAAB Electric, Inc.  
2013 W. Jones  
Garden City, KS 67846  
316-276-8101

Morris Electric Repair  
2423 5th Street  
Great Bend, KS 67530  
316-792-2919

McPherson Rental Center  
911 West First Street  
McPherson, KS 67460  
620-241-3333

### KENTUCKY (KY)

Gillum's Service & Repair  
8611 Rt. US 60  
Ashland, KY 41102  
606-928-4932

E-Z Rent It Inc.  
1428 U.S. 31-W By-Pass  
Bowling Green, KY 42101  
270-782-9462

Roman's Repair Shop  
601 College Street  
Bowling Green, KY 42101  
270-746-0857

Hopkinsville Electric Motor  
704 W. 15th Street  
Hopkinsville, KY 42240  
270-886-7585

Maury's Fluorescent Appliance  
1521 Bardstown Road  
Louisville, KY 40205  
502-456-1671

Rental World, Inc.  
9509 Dixie Hwy.  
Louisville, KY 40272  
502-935-8853

All States Industrial Repair  
728 E. Center Street  
Madisonville, KY 42431  
270-821-6555

### LOUISIANA (LA)

Triangle Bicycle and Lawnmower  
5433 Crowder Road  
New Orleans, LA 70127  
504-241-3239

Wayne's Heat & Air  
1605 W. Vine Street  
Opelousas, LA 70570  
337-948-4246

Evans of LA, Inc.  
907 Cypress Street  
West Monroe, LA 71291  
318-322-6180

### MAINE (ME)

Richard's Electric Motor  
549 Main Street  
Caribou, ME 04736  
207-498-8950

Roger's Electric Motor Shop  
823-West Main Street  
Madawaska, ME 04756  
207-728-4253

Rent-N-Save  
28 Allen Avenue  
Portland, ME 04103  
207-797-2223

### MARYLAND (MD)

Center Supply Company  
6802 Industrial Drive #208  
Beltsville, MD 20705  
301-595-0860

Lehmans Hardware, Inc.  
5921 Belair Road  
Baltimore, MD 21206  
410-483-5888

Norris Taylor Contractors, Inc.  
8480 Ocean Gateway  
Easton, MD 21601  
410-822-2050

Lyons & Lyons Sales Co. Inc.  
Glen Arm Road  
Glen Arm, MD 21057-9454  
410-665-6500  
1-800-333-5966  
lyonsco@erols.com

Chesapeake Rent All  
210 N. Stokes Street  
Havre De Grace, MD 21078  
410-939-1720

B & M Sharpening & Repair  
8614 Church Lane  
Randalstown, MD 21133  
410-655-0801

### MASSACHUSETTS (MA)

Ormond's Inc.  
115R Dean Ave.  
Franklin, MA 02038  
508-528-2013

Beacon Lumber/Beacon Rental  
513 Church Street  
New Bedford, MA 02745  
508-995-1766

Mott's Tool Repair Service  
92 Rayber Road  
Orleans, MA 02653  
508-240-0764

Utility Electric Service #2  
810 Main Street  
Springfield, MA 01105  
413-781-1635

### MICHIGAN (MI)

R & A Service  
12900 Haggerty Road  
Belleville, MI 48111  
734-697-1144

Thompson's Rental Resale Repair  
11973 New Lothrop Road  
Byron, MI 48418  
810-266-4969

Hendricks Sales  
7876 Division  
Grand Rapids, MI 49548  
616-455-8220

Chicago Drive Rentals, Inc.  
11298 Chicago Drive  
Holland, MI 49424  
616-396-9575

Fowler's Farm City Sales  
2876 West Washington Road  
Ithaca, MI 48847  
989-875-3976

Superior Industrial Sales & Service  
116 N. State Street  
Jackson, MI 49201  
517-784-0539

Norm's Electric Motor Repair  
414 Walbridge Street  
Kalamazoo, MI 49007  
616-382-5054

A & J Rentals  
550 S. 11th Street  
Niles, MI 49120  
616-684-3200

Bob's Service Shop  
2537 W. Drahnner Road  
Oxford, MI 48371  
248-628-2601

Bid's Service, Inc.  
11276 E. Ten Mile  
Warren, MI 48089  
810-759-3040

### MINNESOTA (MN)

Perry's Electrical Rebuilders  
24664 Hale Avenue  
Forest Lake, MN 55025  
651-464-8054

Andy's Small Engine City  
2408 Pearl Ct. SE  
Rochester, MN 55904  
507-280-0373

Reed's Sales & Service  
1260 Payne Ave.  
St. Paul, MN 55101  
651-774-9515

### MISSISSIPPI (MS)

Handy Man Rentals  
1904 Shiloh Road  
Corinth, MS 38834  
662-287-2460

### MISSOURI (MO)

Stewarts Enterprises  
7631 NW Salebarn Road  
Cameron, MO 64429  
816-632-6578

Northwest Power Sales  
26848 Haultain Drive  
Maryville, MO 64468  
660-582-5080

Buchheit, Inc.  
Route 7, Box 239  
Perryville, MO 63775  
573-547-1017

A K Small Engine Works  
15726 Hwy C  
Versailles, MO 65084  
573-378-6339

### MONTANA (MT)

Tom's Service Repair  
1111-6th Avenue North  
Billings, MT 59101  
406-259-6179

Mosch Electric Motors, Inc.  
2513 - 17th St. NE  
Black Eagle, MT 59414  
406-453-2481

Sun Rental Center  
1301 - 3rd St. NW  
Great Falls, MT 59404  
406-761-6688

### NEBRASKA (NE)

Hatten's Electric Service  
130 S. Hastings, Box 843  
Hastings, NE 68901  
402-463-4596

Craft Specialties  
108 Hillside Drive  
Norfolk, NE 68701  
402-379-3129

Flohr Electric Motor  
4356 South 90th Street  
Omaha, NE 68127  
402-331-6863

MSE Parts Unlimited  
4935 South 136th Street  
Omaha, NE 68137  
402-895-0806

Ted's Mower Sales and Service, Inc.  
5155 Q. Street  
Omaha, NE 68117  
402-731-7058

LaVern Hass Repair  
1204 - 1st Road  
Wisner, NE 68791  
402-529-6846

### NEW HAMPSHIRE (NH)

Kingston Enterprises  
85 North Road  
Kingston, NH 03848  
603-642-3506

### NEW JERSEY (NJ)

Associated Industries  
2433 Rt. 206  
Eastampton, NJ 08060  
609-267-8417

Woodchuck's Lawnmower  
and Appliance  
220 Whitehorse Pike  
Magnolia, NJ 08049  
856-783-1111

Tep's Power Equipment  
1002 N. High Street  
Millville, NJ 08332  
856-825-8294

Richard's Sharpening Service  
824 Mill Road  
Northfield, NJ 08225  
609-641-9481

Capitol Service & Equipment  
551 New Market Road  
Piscataway, NJ 08855  
732-968-5577

Air & Electric Tool Service, Inc.  
130 W. 3rd Street  
Roselle, NJ 07203  
908-242-6930

### NEW YORK (NY)

Valley Mower Service  
2857 Ellis Creek Road  
Barton, NY 13734  
607-589-4825

White Tool Supply Inc.  
3047 Atlantic Avenue  
Brooklyn, NY 11208  
718-227-8844

Lehman's Farm & Home Supply  
Route 26  
Denmark, NY 13631  
315-493-1151

M & S Repair Shop  
303 Hilltop Drive  
Elma, NY 14059  
716-652-0311

Luther's Outdoor Equipment  
3676 State Route 5  
Frankfort, NY 13340  
315-894-4467

Crossbay Appliance Service  
158-34 Crossbay Blvd.  
Howard Beach, NY 11414  
718-843-4422

Provenzano's  
84 E. Main Street  
Kings Park, NY 11754  
631-269-1080

Para-Deys Tools  
708 Victor Road  
Macedon, NY 14502  
315-986-2520

P & C  
12 East Street  
Nunda, NY 14517  
716-468-5050

Otega Repair  
226 County Hwy 7  
Otego, NY 13825  
607-988-7859

Owego Agway Coop  
38 West Avenue  
Owego, NY 13827  
607-687-2039

Larmon Small Engine  
16353 Co. Rt. 91  
Pierrepont Manor, NY 13674  
315-465-6671

# MANUAL DEL PROPIETARIO

R & D Mower & Snowblower  
Sales and Service  
1632 Empire Blvd.  
Webster, NY 14580  
716-671-9409

Bedford Appliance, Inc.  
1173 Yonkers Ave.  
Yonkers, NY 10704  
914-237-7575

**NORTH CAROLINA (NC)**  
Harnett & Wake Sales & Service  
44 N. Broad Street  
Angier, NC 27501  
919-331-0463

Leonard Electric Motor Repair, Inc.  
531 N. Fayetteville St.  
Asheboro, NC 27203  
336-625-2375

Martin Equipment Company  
4209-B US 70 E.  
Goldsboro, NC 27534  
919-778-5996

Hickory Home & Garden  
336 HWY 321 NW  
Hickory, NC 28601  
704-327-3719

O'Mary's Small Engine  
220 W. Forlines Road  
Winterville, NC 28590  
252-355-4597

**NORTH DAKOTA (ND)**  
Fix-It Shop  
316 21st Street E.  
Dickson, ND 58601  
701-225-0766

Ted's Saw Service  
901 South 12th Street  
Grand Forks, ND 58201  
701-775-7343

Craig's Small Engine Repair  
508 East 2nd Street  
Williston, ND 58801  
701-774-0798

**OHIO (OH)**  
Carter Electrical Repair  
3448 Lunar Rd. NE  
Carrollton, OH 44615  
330-627-4061

North East Mower Service  
412 East 156th Street  
Cleveland, OH 44110  
216-531-8197

Lefeld Welding & Steel Supply  
600 N. Second Street  
Coldwater, OH 45828  
419-678-2397

Dayton Hardware & Supply  
16-32 N. Irwin Street  
Dayton, OH 45404  
513-258-3721  
1-800-762-3426 Ohio only

Ken's Repair  
3246 S. Sectionline  
Delaware, OH 43015  
740-369-4798

Anytool & Outdoor Power Equip.  
21150 Lorain Road  
Fairview Park, OH 44126  
440-356-1920

Deep Run Mower Service  
58781 Heil Addn. Deep Run  
Martins Ferry, OH 43935  
740-859-6131

Worcester Sales and Service  
34200 Lorian Road  
N. Ridgeville, OH 44039  
440-327-2196

Leonard Hardware  
145 North 15th Street  
Sebring, OH 44672  
330-938-6329

Sparks Sales & Service  
5184 Fletcher Chapel Road  
Springfield, OH 45502  
937-323-5925

United Rentals of North America  
5745 Angola Road  
Toledo, OH 43615  
419-865-5539

**OKLAHOMA (OK)**  
Kay Electric Company  
1101 W. Broadway  
P.O. Box 635  
Altus, OK 73522  
580-482-1757

Sooner Distributors  
3021 S. High Street  
Oklahoma City, OK 73143  
405-634-3391

H. L. Moss  
1714 E. 15th Street  
Tulsa, OK 74104  
918-744-1305

**OREGON (OR)**  
Turner's Lawnmower and Saw  
728 SE Robin Way  
Gresham, OR 97080  
503-665-5441

Pendleton Grain Growers  
200 S. 1st Street  
Hermiston, OR 97801  
541-567-5591

Appliance Repair Central  
3203 NE Sandy Blvd.  
Portland, OR 97232  
503-234-7339

**PENNSYLVANIA (PA)**  
General Rental & Sales Center  
Old Rt 1 & 41  
Avondale, PA 19311  
610-268-2825

Bud's Tractor and Mower Service  
21 Bock Lane  
Baden, PA 15005  
724-869-7142

Engine Doctors  
20 Russell Blvd.  
Bradford, PA 16701  
814-362-3091

Pro-Fix  
136 Narrows Road  
Edwardsville, PA 18651  
570-288-0476

Carson's Hardware  
637-43 Main Street  
Hellertown, PA 18055  
610-838-7741

Al Muccioli's Service  
2001 Bedford Street  
Suite C  
Johnstown, PA 15904  
814-266-5734

Valray Nurseries Inc.  
R.D. #8, Box 362  
Kittanning, PA 16201  
724-548-1579

Hillyard Equipment Service Center  
633 Lausch Lane  
Lancaster, PA 17601  
717-569-5768

Petrosky's Hardware & Supply Co.  
602 Alexandria Street  
Latrobe, PA 15650  
724-537-3541

Raymond, M. Nolt  
290 S. Shirk Road  
New Holland, PA 17557  
717-354-0198

Snyder Electric Company  
1500 Chateau Street  
Pittsburgh, PA 15233  
412-231-3100

Stamm's Mower Repair  
Rd. 5, Pine Lane Box 150  
Seligsgrove, PA 17870  
570-743-7651

**SOUTH CAROLINA (SC)**  
Hall's Small Motor Repair  
225 Heathwood Drive  
Aiken, SC 29803  
843-649-6313

Todd's Electric Motor Repair  
110 Laurel Street  
Conway, SC 29526  
843-248-2444

LaPortes  
2444 N. 5th Street  
Hartsville, SC 29550  
843-857-0222

Turner Repair Service  
3 E. Belvue Road  
Taylors, SC 29687  
864-244-1746

**TENNESSEE (TN)**  
Vista Small Engine  
1510 Vista Lane  
Clarksville, TN 37043  
931-552-6953

Master Repair Service  
305 Elmore Road  
Crossville, TN 38555  
931-484-2061

The Speciality Shop  
2300 East Magnolia Avenue  
Knoxville, TN 37917  
865-523-6894

Webb's Appliance Service Center  
1519 Church Street  
Nashville, TN 37203  
615-329-4079

**TEXAS (TX)**  
Sacate Vedre, Inc.  
1906 N. Western  
Amarillo, TX 79106  
806-373-4409

Industrial Distributing Co.  
9411 Neils Thompson Dr.  
Austin, TX 78759  
361-837-4122

Brunson Feed Mill  
709 Sealy Ave.  
Ballinger, TX 76821  
915-365-2419

Bud's LP Gas & Supply  
225 Grand  
Channelview, TX 77330  
713-457-2456

Corpus Christi Power Tool & Rpr.  
3701 Agnes  
Corpus Christi, TX 78405  
361-883-1117

Freel Enterprise  
118 Elston  
Dallas, TX 75232  
214-376-9913

Southwest Electric Service  
3008 Canton St.  
Dallas, TX 75226  
214-742-8211

Powell's Small Engine Service  
5906 Hwy 66  
Greenville, TX 75402  
903-454-1877

Home Appliance Services  
1909 Reese Street  
Liberty, TX 77575  
409-336-8615

**UTAH (UT)**  
Roosevelt Service Center  
133 South 300 East, Box 1546  
Roosevelt, UT 84066  
435-722-2119

Appliance Service Center  
1475 S. Main Street  
Salt Lake City, UT 84115  
801-467-6361

**VIRGINIA (VA)**  
Industrial Hardware  
4109 Bainbridge Blvd.  
Chesapeake, VA 23324  
804-543-2232

Warren E. Smith Shops  
406 Cambria Street  
Christiansburg, VA 24073  
540-382-5501

B & B Appliance & Lawn Equipment  
71 Lawson Road SE Suite C  
Leesburg, VA 22075  
703-777-1093

Roberts Small Engine Repair  
1109 Curve Road  
Pearisburg, VA 24134  
540-921-3255

American Power Equip. Ctr.  
2381 Staples Mill Road  
Richmond, VA 23230  
804-354-5810

Outdoor Power Equipment  
800 White Marsh Road  
Suffolk, VA 23434  
804-925-4933

Mills Repair Service  
928 Commonwealth Place  
Virginia Beach, VA 23464  
757-361-9293

**WASHINGTON (WA)**  
Action Small Appliance Service  
1500 - 145th Place SE  
Bellevue, WA 98007  
425-643-9806

TUCO Industrial Products  
5223 - 180th SW Suite 4A-1  
Lynnwood, WA 98037  
425-743-9533

Action Small Appliance  
2125 Second Avenue  
Seattle, WA 98121  
206-448-2020

Lifficks Electric Shop  
8239 S. Park Avenue  
Tacoma, WA 98408  
425-474-7403

**WEST VIRGINIA (WV)**  
Beckley Mower Service  
3695 Robert C. Byrd Drive  
Beckley, WV 25802  
304-253-5748

Raymond's Service Center  
Route 65  
Delbarton, WV 25670  
304-475-2855

Town and Country Supply  
4117 First Avenue  
Nitro, WV 25143  
304-755-3520

**WISCONSIN (WI)**  
Smith Petroleum Ltd.  
217 N. Waiworth  
Darlen, WI 53114  
262-724-3206

Ohnstad Power Equipment  
12012 Center Hill Road  
Darlington, WI 53530  
608-776-3802

Bob's Engine Shop  
513 S. Military Road  
Fond Du Lac, WI 54935  
920-921-2841

Reliance Electric Motors  
1621 Livingstone Road  
Hudson, WI 54016  
715-386-3633

Kewaunee Small Engine  
E2068 State Hwy 29  
Kewaunee, WI 54216  
920-388-2604

Ken's Economy Sales  
8887 Highway A  
Marshfield, WI 54449  
715-676-2143

Cliff's Tractor Place  
Hwy 35-133  
P.O. Box 76  
Patch Grove, WI 53817  
608-994-2354

Barton Small Engine  
1628 N. Main Street  
West Bend, WI 53090  
262-334-5373

## **GARANTÍA LIMITADA DEL CULTIVADOR ELÉCTRICO**

Cuando escriba a la fábrica especifique siempre el número del modelo.

Nos reservamos el derecho de enmendar en cualquier momento estas especificaciones y sin previo aviso. La única garantía válida es nuestra garantía escrita estándar. No hacemos otra garantía expresada o implícita.

DESA internacional garantiza por el lapso de dos años a partir de la fecha de la primera compra hecha donde un distribuidor autorizado que este cultivador eléctrico y cualquier parte del mismo están libres de defectos en materiales y mano de obra, con tal que el producto haya recibido un mantenimiento y operación apropiados que estén de acuerdo a las instrucciones pertinentes. Si el cultivador tiene uso comercial, industrial o se lo renta, esta garantía es válida por 90 días desde la fecha de compra hecha donde un distribuidor autorizado. La factura de venta o prueba de compra debe ser presentada al momento de hacer un reclamo bajo esta garantía.

Esta garantía se extiende solamente al comprador al por menor original y cubre solamente las partes y mano de obra requeridas para restaurar este cultivador a su condición apropiada de operación. Las partes por la garantía pueden obtenerse a través de distribuidores o centros de servicio de este producto autorizados por la fábrica. Estos distribuidores y centros de servicio le proveerán de repuestos originales de fábrica. Si no usa repuestos originales de fábrica esta garantía queda inválida.

Esta garantía no se aplica a las partes que debido al desgaste normal no están en condiciones originales, ni se aplica a partes que fallan o se dañan como resultado del mal uso, accidente, falta de mantenimiento apropiado, intromisión o alteración. Los costos de viaje, manipulación transporte o costos incidentales asociados con reparaciones de la garantía no son reembolsables bajo esta garantía y son responsabilidad del propietario.

Por todo lo que la ley de la jurisdicción que rige la venta del producto permite, esta garantía expresa excluye cualquier o todas las otras garantías expresas y limita a dos años, desde la fecha de la primera compra, la duración de cualquiera o todas las garantías implícitas, incluyendo garantías de comercialización y adaptación a un propósito en particular, por esto la responsabilidad de DESA Internacional está limitada al precio de compra del producto y DESA Internacional no será responsable en absoluto de ningún otro daño incluyendo daños indirectos, incidentales o consecuentes.

Algunos estados no permiten limitación en cuanto a la duración de una garantía implícita ni permiten exclusión o limitación de daños incidentales o consecuentes, de modo que la limitación de daños arriba indicada pueda que no se aplique a usted.

Esta garantía da al comprador original derechos específicos. Para informarse sobre esos derechos por favor consulte las leyes estatales pertinentes.



P.O. Box 90004  
Bowling Green, KY 42102-9004  
[www.desatech.com](http://www.desatech.com)



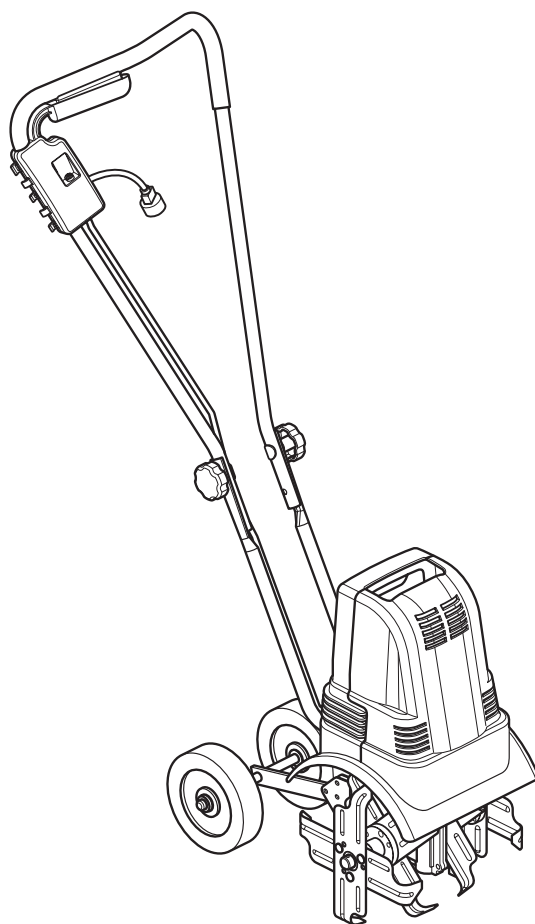
**Industries of Canada, Inc.**  
2220 Argentia Road  
Unit #4  
Mississauga, Ontario  
L5N 2K7  
905-826-8010  
TELEFAX 905-826-8236

# **REMINGTON™**

## **GARDEN WIZARD™**

### **CULTIVATEUR ÉLECTRIQUE**

### **MANUEL D'UTILISATION**



**MODÈLE 109312-01**

**IMPORTANT : Il est recommandé de lire et comprendre ce manuel avant d'assembler ou d'utiliser ce cultivateur. L'utilisation incorrecte du cultivateur risque d'entraîner des blessures graves. Conserver ce manuel pour s'y référer ultérieurement.**





# REMINGTON®

## CULTIVATEUR ÉLECTRIQUE

### AVERTISSEMENTS RELATIFS À LA SÉCURITÉ



**AVERTISSEMENT :** Lors de l'utilisation d'appareils de jardinage, des mesures de sécurité essentielles doivent toujours être observées afin de réduire le risque d'incendie, d'électrocution et de blessures.

**AVERTISSEMENT :** Ce produit contient des produits chimiques qui, selon l'état de la Californie, serait à l'origine de cas de cancer, d'anomalie congénitale et de problème de la reproduction.

### LIRE TOUTES LES INSTRUCTIONS AVANT D'UTILISER LE CULTIVATEUR

1. Ne pas utiliser le cultivateur à proximité de câbles électriques, lignes téléphoniques, conduites ou tuyaux enterrés. Dans le doute, s'adresser aux services publics pour localiser le passage sous terre de ces divers services. Une autre possibilité est d'appeler le numéro national de référence pour les États-Unis, 1-888-258-0808, afin d'obtenir les renseignements de contact local concernant les services publics souterrains.
2. Faire attention à ce que l'on fait. Faire preuve de bon sens. Ne pas employer le cultivateur sous l'emprise de la fatigue.
3. Le cultivateur ne doit être utilisé que par des adultes qui ont appris comment s'en servir. Ne jamais laisser des enfants l'utiliser.
4. Ne pas utiliser le cultivateur à des tâches pour lesquelles il n'est pas préconisé.
5. Utiliser uniquement la tension de courant indiquée sur la plaque signalétique du cultivateur.

**AVERTISSEMENT :** Pour réduire le risque d'électrocution, utiliser uniquement un cordon prolongateur spécifié pour une utilisation à l'extérieur, tel qu'un cordon de type SW-A, SOW-A, STW-A, STOW-A, SJW-A, SJOW-A, SJTW-A ou SJTOW-A.

6. Cordon prolongateur - S'assurer du bon état du cordon prolongateur. En cas d'utilisation d'un cordon prolongateur, prendre soin d'en employer un suffisamment robuste pour supporter l'intensité de courant nécessaire à l'outil. Un cordon prolongateur trop faible entraîne une baisse de tension aboutissant à une perte de puissance et une surchauffe. Le tableau ci-après précise le calibre correct à utiliser en fonction de la longueur du cordon et de l'intensité nominale en ampères indiquée sur la plaque signalétique. Dans le doute, employer le numéro de calibre suivant, plus robuste. Plus le calibre AWG (mesure américaine) est petit, plus le cordon est robuste. Pour réduire le risque de déconnexion entre le cordon du cultivateur et le cordon prolongateur en cours d'utilisation, passer le cordon dans le système d'acrochage et employer une pince de ceinture comme décrit dans ce manuel.

Volts	Longueur totale du cordon en mètres			
	7,60	15,20	30,50	45,75
Intensité nominale (A)	AWG			
10 à 12	16	16	14	12

7. Une protection par coupe-circuit sur défaut de mise à la terre (GFCI - «Ground Fault Circuit Interrupter») doit être fournie sur le ou les circuits utilisés avec le cultivateur. Des prises avec GFCI incorporé sont disponibles et peuvent être employées à titre de mesure de sécurité supplémentaire.
8. Éviter tout environnement dangereux. Ne pas utiliser le cultivateur :
  - lorsqu'on est sous l'influence d'alcool, de médicaments ou de drogues
  - sous la pluie, dans les endroits humides ou mouillés
  - en présence de liquides ou gaz très inflammables
  - si le cultivateur est endommagé, ou incomplètement ou dangereusement assemblé.
9. Toujours porter une protection des yeux conforme ou supérieure aux exigences de la norme ANSI Z87.1.
10. Toujours utiliser un masque facial ou antipoussière en cas d'utilisation du cultivateur dans une atmosphère poussiéreuse.

11. Toujours s'habiller de façon adéquate. Porter les vêtements suivants lors de l'utilisation du cultivateur :
  - des gants en caoutchouc et des chaussures solides sont recommandés
  - une coiffure de protection ou un bonnet pour retenir les cheveux longs
  - éviter les vêtements amples et bijoux qui pourraient se prendre dans le mouvement rotatif des dents.
12. Inspecter soigneusement la zone dans laquelle le cultivateur sera utilisé et retirer tous les corps étrangers.

### EN COURS D'UTILISATION DU CULTIVATEUR

1. Rester vigilant. Faire preuve de bon sens pendant l'utilisation du cultivateur.
2. Surveiller le cordon prolongateur pendant l'utilisation du cultivateur. Faire attention de ne pas trébucher dedans. Maintenir constamment le cordon éloigné des dents du cultivateur.
3. Maintenir les enfants, animaux et toutes personnes présentes à l'écart du cultivateur et du cordon prolongateur. Éloigner toutes les personnes et tous les animaux domestiques de la zone de travail.
4. Tenir fermement des deux mains la barre-poignée. Ne jamais manœuvrer le cultivateur d'une seule main.
5. Être toujours bien conscient que le cultivateur peut faire un bond inattendu vers le haut ou un saut en avant si les dents rencontrent un sol extrêmement dur et compact, une terre gelée ou des obstacles enterrés tels que des grosses pierres, des racines ou des souches.
6. Ne pas chercher à cultiver hors d'atteinte. Maintenir constamment une bonne stabilité des pieds et un bon équilibre.
7. Ne pas employer le cultivateur sur une pente trop raide pour une utilisation sans danger. Sur des terrains en pente, ralentir et prendre soin de conserver une bonne stabilité.
8. **IMPORTANT :** On peut arrêter la rotation des dents en relâchant le levier d'enclenchement.
9. Avant de mettre le cultivateur en marche, s'assurer que les dents ne touchent aucun corps étranger.

## AVERTISSEMENTS RELATIFS À LA SÉCURITÉ



### Suite

10. Ne pas approcher les mains ni aucune partie du corps ou des vêtements des dents rotatives.
11. Déplacer le cultivateur d'un endroit à un autre :
  - le cultivateur étant mis à l'arrêt et débranché
  - en le faisant rouler sur ses roues en position basse (de « déplacement »)
  - en le tenant par la poignée de transport. Ne jamais se servir des barres de la poignée, des dents, de l'axe des dents ni du garde-boue pour porter le cultivateur.
12. Ne pas maltraiter le cordon d'alimentation électrique. Ne jamais porter le cultivateur par ce cordon ni tirer brusquement sur ce dernier pour le débrancher de la prise. Éloigner le cordon de toute source de chaleur, de l'huile et des bords tranchants.
13. Ne pas forcer sur le cultivateur. Il effectuera un meilleur travail avec vraisemblablement moins de risques de blessures à la vitesse pour laquelle il a été conçu.

## ENTRETIEN ET REMISAGE DU CULTIVATEUR

1. Débrancher le cultivateur de la source d'alimentation :
  - lorsqu'il n'est pas en service
  - avant de le déplacer d'un endroit à un autre
  - avant de procéder à son entretien
  - avant de démonter ou retirer les dents ou d'autres accessoires.
2. Inspecter le cultivateur avant et après chaque utilisation. Bien le vérifier pour déceler tout dégât pouvant affecter la sécurité de l'utilisateur ou le fonctionnement du cultivateur. Vérifier s'il y a des pièces cassées ou endommagées. Ne pas utiliser le cultivateur si les dégâts affectent la sécurité ou son fonctionnement. Faire remettre l'outil en état par un réparateur agréé.
3. Maintenir le cultivateur avec soin.
  - Ne jamais l'exposer à la pluie.
  - Maintenir la barre-poignée sèche, propre et exempte d'huile ou de graisse.
  - Garder les vis et écrous bien serrés.
  - Inspecter souvent le cordon d'alimentation électrique. S'il est abîmé, le faire remettre en état par un réparateur agréé.
  - Inspecter souvent les cordons prolongateurs et les remplacer s'ils sont endommagés.

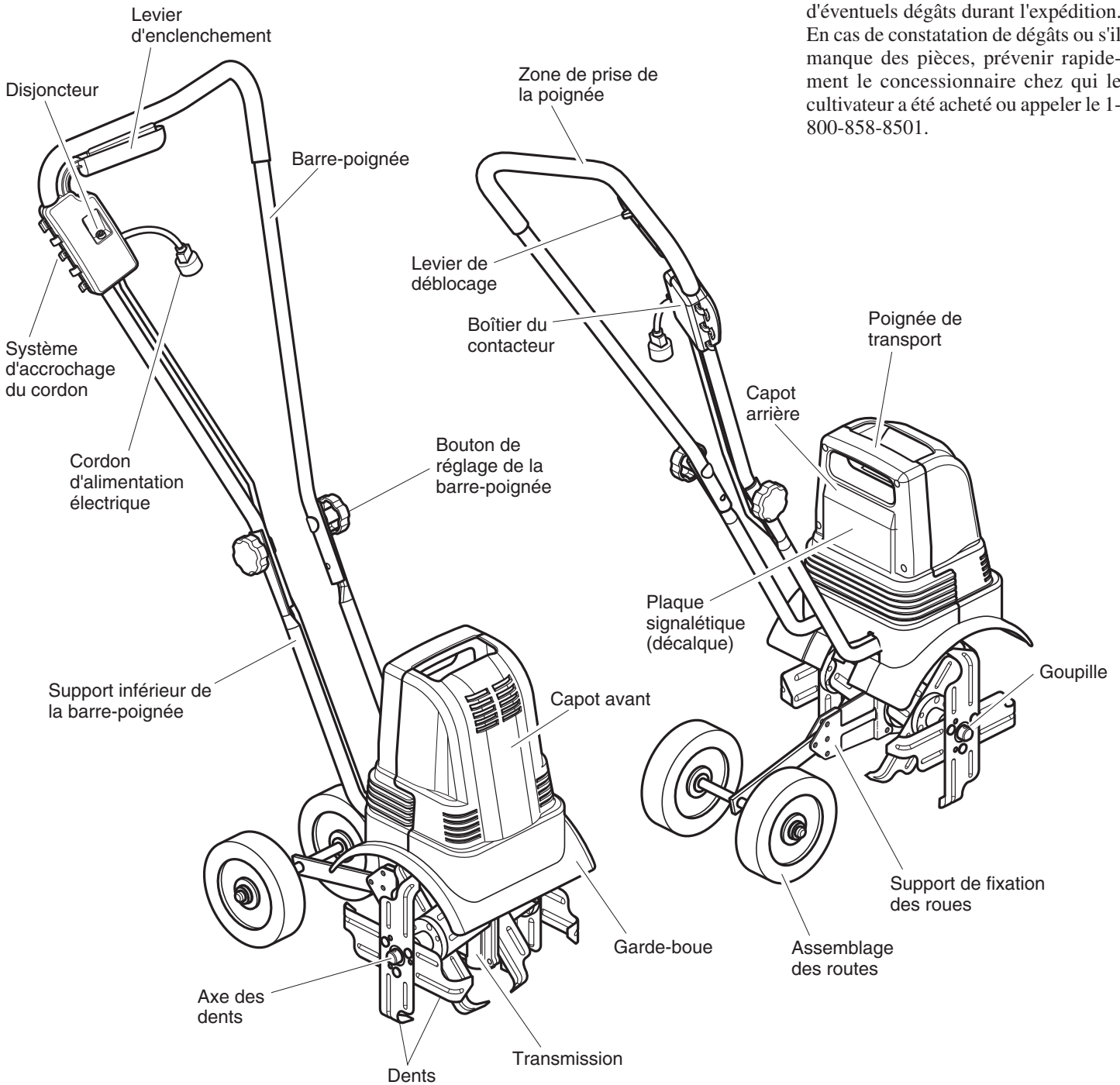
4. Pour toute réparation, utiliser uniquement des pièces de rechange identiques.
5. Pour réduire tout risque d'électrocution, ce cultivateur est muni d'une fiche polarisée (une lame est plus large que l'autre) et nécessite l'usage d'un cordon prolongateur polarisé. La fiche du cultivateur ne se raccorde à une prise murale que d'une seule façon. Si la fiche ne s'enfonce pas totalement dans la prise du cordon prolongateur, inverser la fiche. Si elle ne s'enfonce toujours pas, obtenir un cordon prolongateur correctement polarisé. Un cordon prolongateur polarisé exige l'emploi d'une prise murale polarisée. La fiche du cordon ne se branche dans la prise murale que d'une seule façon. Si la fiche ne s'engage pas complètement dans la prise murale, inverser la fiche. Si elle ne s'engage toujours pas, s'adresser à un électricien qualifié pour installer une prise murale appropriée. Ne changer en aucun cas la fiche du cultivateur, la prise femelle du cordon prolongateur ni la fiche de ce dernier.
6. Remiser le cultivateur à l'abri. Lorsqu'il n'est pas en service, le cultivateur doit être remis dans un endroit sec et verrouillé, hors de la portée des enfants.

Ce manuel est un guide d'utilisation adéquate et sans danger du cultivateur. **Conserver ces instructions.**

# REMINGTON®

## CULTIVATEUR ÉLECTRIQUE

### IDENTIFICATION DU PRODUIT



### DÉBALLAGE

1. Sortir toutes les pièces du carton.
2. Vérifier toutes les pièces pour déceler d'éventuels dégâts durant l'expédition. En cas de constatation de dégâts ou s'il manque des pièces, prévenir rapidement le concessionnaire chez qui le cultivateur a été acheté ou appeler le 1-800-858-8501.

Figure 1 - Cultivateur électrique

## ASSEMBLAGE

### DÉPLIAGE ET RÉGLAGE DE LA BARRE-POIGNÉE

#### Dépliage de la barre-poignée

1. Desserrer les boutons de réglage de la barre-poignée. Faire pivoter la barre-poignée en position d'utilisation (voir la figure 2). Ne pas forcer sur la barre-poignée. Si le dépliage est difficile, continuer à desserrer les boutons de réglage. Faire attention à ne pas pincer le cordon d'alimentation électrique entre la barre-poignée et le support inférieur de cette dernière.
2. Serrer les boutons de réglage de la barre-poignée.

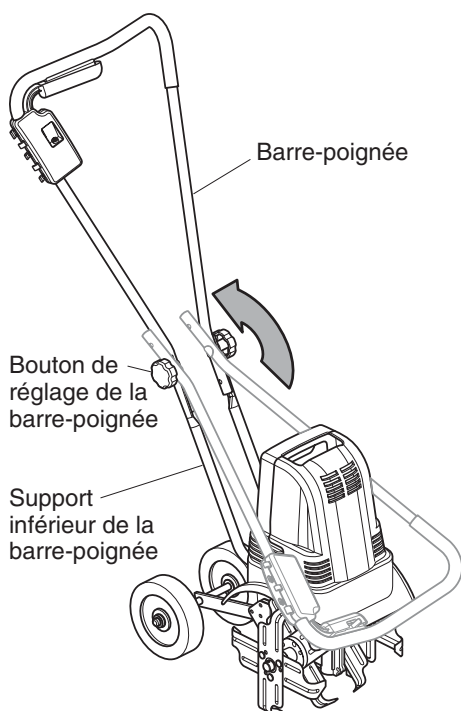


Figure 2 - Dépliage de la barre-poignée

#### Réglage de la hauteur de la barre-poignée

La barre-poignée possède deux réglages en hauteur. Le cultivateur est expédié avec la barre-poignée montée sur la hauteur standard, soit la position la plus basse. Si la hauteur est insuffisante, régler la hauteur de la barre-poignée sur l'extension en hauteur, c'est-à-dire la position la plus haute.

1. Desserrer et enlever les boutons de réglage, les rondelles et les boulons à étrier de la barre-poignée.
2. Positionner la barre-poignée de telle sorte que les trous du bas de celle-ci s'alignent avec les trous des supports inférieurs de la barre-poignée (voir la figure 3). Insérer les boulons à étrier dans les trous et réinstaller les rondelles et les boutons de la barre-poignée.
3. Serrer les boutons de réglage de la barre-poignée.

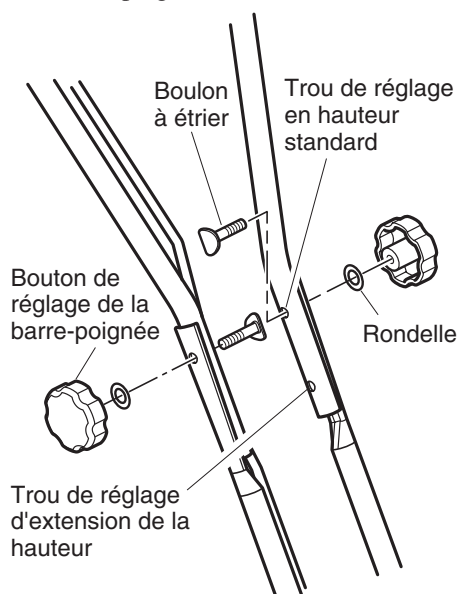


Figure 3 - Réglage de la hauteur de la barre-poignée

#### Pliage de la barre-poignée pour remisage

1. Desserrer les boutons de réglage de la barre-poignée. Faire pivoter la barre-poignée en avant et vers le bas par dessus le capot du cultivateur (voir la figure 4). Ne pas forcer sur la barre-poignée. Si le pliage est difficile, continuer à desserrer les boutons. Faire attention à ne pas pincer le cordon d'alimentation électrique entre la barre-poignée et le support inférieur de cette dernière.
2. Serrer les boutons de réglage de la barre-poignée.

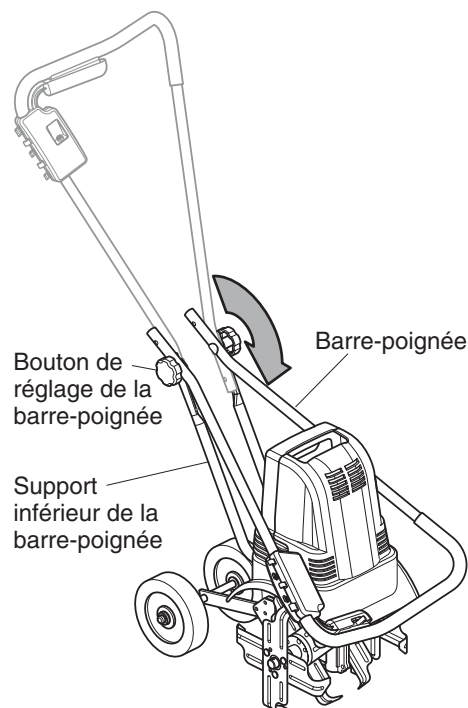


Figure 4 - Pliage de la barre-poignée vers le bas

Suite



# REMINGTON®

## CULTIVATEUR ÉLECTRIQUE

### ASSEMBLAGE

Suite

#### RÉGLAGE DE L'ASSEMBLAGE DES ROUTES

##### Réglage de l'assemblage des roues pour le déplacement

1. Retirer la goupille et la clavette du support de fixation de l'assemblage des routes (voir la figure 5).
2. Faire pivoter l'assemblage des roues vers le bas de telle sorte que le trou de l'assemblage s'aligne avec le trou central du support de fixation comme le montre la figure 6.
3. Insérer la clavette dans le trou comme illustré par la figure 6, et engager la goupille sur la clavette. Les roues sont maintenant montées en position de déplacement.

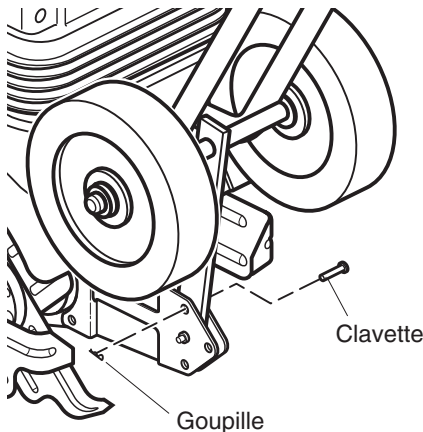


Figure 5 - Retrait de la goupille et de la clavette

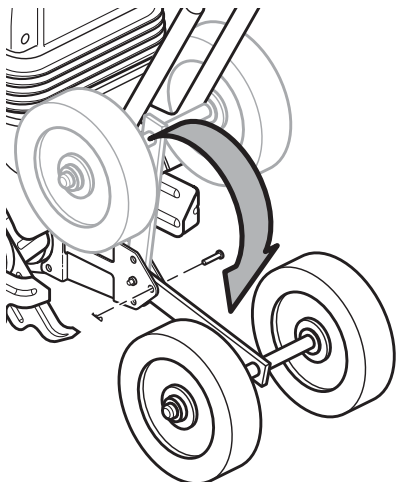


Figure 6 - Réglage de l'assemblage des roues en position de déplacement

##### Réglage de l'assemblage des roues pour labourer

1. Retirer la goupille de la clavette et retirer cette dernière du support de fixation et de l'assemblage des roues.
2. Faire pivoter l'assemblage des roues vers le haut et en avant comme indiqué par la figure 7 jusqu'à ce que le trou de l'assemblage des roues s'aligne avec le trou supérieur du support de fixation.
3. Insérer la clavette dans les trous ainsi alignés puis engager la goupille sur la clavette. Les roues sont maintenant montées en position pour labourer.

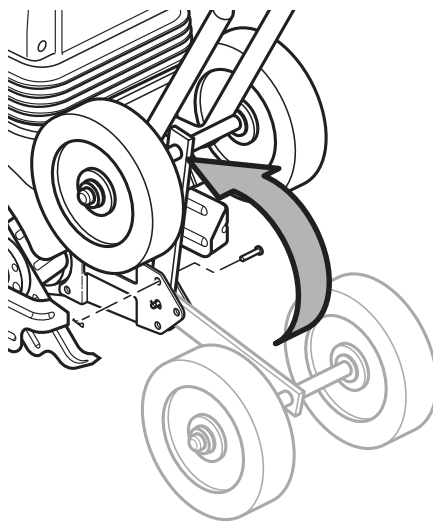


Figure 7 - Réglage de l'assemblage des roues en position pour labourer

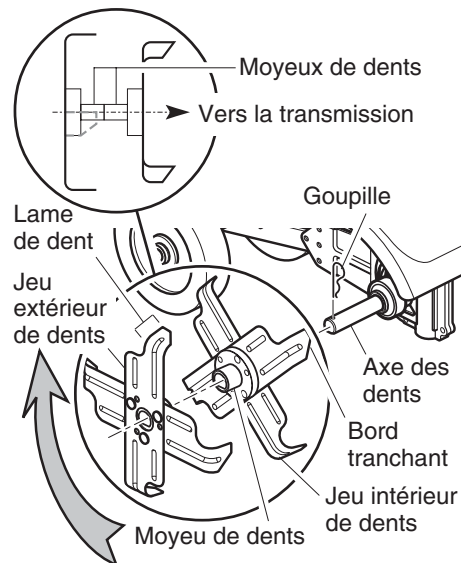
### RETRAIT ET INSTALLATION DES DENTS

**AVERTISSEMENT :** Toujours débrancher le cultivateur avant de placer les mains à proximité des dents. Toujours porter des gants pour se protéger les mains des bords tranchants des dents.

**IMPORTANT :** Le cultivateur est doté de 4 jeux différents de dents. Pour obtenir un rendement approprié, les dents doivent toujours être installées correctement comme le montre la figure 8. Lorsqu'elles sont assemblées correctement, le bord coudé coupant des dents doit tourner vers l'avant du cultivateur. Les lames de toutes les dents doivent être dirigées vers la transmission. Les moyeux des dents de jeux de dents intérieurs et extérieurs doivent se faire face l'un l'autre comme illustré par la figure 8.

#### Retrait et installation des dents

1. Retirer les goupilles de l'extrémité de l'axe des dents.
2. Retirer de l'axe le jeu extérieur de dents.
3. Retirer de l'axe le jeu intérieur de dents.
4. Réinstaller les goupilles sur l'axe des dents afin d'éviter de les perdre.
5. Inverser les étapes ci-dessus pour installer les dents.



Sens de rotation des dents pendant le fonctionnement

Figure 8 - Retrait et installation des dents



# MANUEL D'UTILISATION

## UTILISATION DU CULTIVATEUR

**⚠ AVERTISSEMENT : Il est recommandé de lire et comprendre ce manuel avant d'utiliser ce cultivateur. Prendre soin de lire et comprendre tous les avertissements relatifs à la sécurité aux pages 34 et 35. L'utilisation incorrecte du cultivateur peut entraîner des blessures graves ou la mort résultant d'un incendie, d'une électrocution ou d'un contact du corps avec des pièces en mouvement.**

## CORDONS PROLONGATEURS

Toujours utiliser les cordons prolongateurs appropriés avec ce cultivateur. N'employer que des cordons prolongateurs spécifiés pour une utilisation à l'extérieur. Le cordon doit posséder la marque du suffixe W ou W-A à la suite de la désignation de son type. *Exemple : SJTW-A or SJTW.*

Utiliser un cordon de calibre adéquat avec ce cultivateur. Le cordon doit être suffisamment robuste pour supporter l'intensité de courant nécessaire. Un cordon prolongateur trop faible entraîne une baisse de tension au niveau de l'outil. Le cultivateur perd alors de la puissance et surchauffe. Observer les exigences de calibre indiquées dans le tableau ci-après.

Longueur du cordon en mètres	Calibre du cordon (AWG)
7,60 m	16 AWG
15,20 m	16 AWG
30,50 m	14 AWG
45,75	12 AWG

Tenir le cordon éloigné des dents rotatives. Inspecter souvent le ou les cordons. Les remplacer quand ils sont endommagés.

## MAINTIEN DU CORDON PROLONGATEUR

Le boîtier du contacteur est muni d'un système d'accrochage pour le cordon prolongateur, formé d'une suite de crochets dont le sens de courbure est alterné (voir la figure 9). Ce système peut être utilisé pour maintenir l'extrémité avec prise femelle du cordon prolongateur contre la poignée du cultivateur afin de prévenir toute déconnexion accidentelle du cordon d'alimentation électrique. Une pince de ceinture est également comprise pour aider à manier le cordon en le maintenant au côté de l'utilisateur et toujours au loin des dents du cultivateur.

### Fixation du cordon prolongateur au cultivateur

- Commencer à environ 15 cm de l'extrémité avec prise femelle du cordon prolongateur et passer le cordon dans les crochets du boîtier du contacteur comme illustré à la figure 9, de sorte que la prise femelle pende sous le boîtier du contacteur.
- Passer d'abord le cordon prolongateur sur le dessus du crochet du bas et alterner sous et sur les crochets suivants de façon à ce qu'il finisse par passer sur le dessus du dernier crochet.
- Brancher le cordon d'alimentation électrique du cultivateur sur le cordon prolongateur.

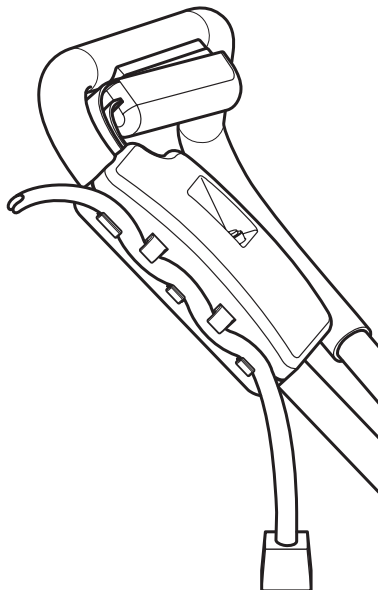


Figure 9 - Fixation du cordon prolongateur au cultivateur

## PROTECTION PAR DISJONCTEUR

Ce cultivateur est équipé d'un disjoncteur situé sur le dessus du boîtier du contacteur (voir la figure 10). Le disjoncteur fournit une protection contre les surintensités au moteur du cultivateur dans le cas où les dents se bloqueraient ou seraient coincées par une pierre, racine ou autre obstruction.

Si le disjoncteur se déclenche en cours d'utilisation, le bouton blanc se relève, faisant saillie hors du boîtier, et le moteur et les dents s'arrêtent de tourner.

### Réarmement du disjoncteur

- Relâcher complètement le levier d'enclenchement.
- Débrancher le cordon d'alimentation électrique du cultivateur du cordon prolongateur.
- Dégager ou enlever les obstacles qui ont entraîné le blocage des dents.

**⚠ AVERTISSEMENT : Toujours débrancher le cultivateur avant de placer les mains à proximité des dents. Toujours porter des gants pour se protéger les mains des bords tranchants des dents.**

- Appuyer sur le bouton de réarmement du disjoncteur afin de l'enfoncer dans le boîtier (voir la figure 10). Le bouton doit rester enfoncé lorsqu'on le lâche. Rebrancher le cordon d'alimentation électrique du cultivateur sur le cordon prolongateur.
- Saisir fermement la zone de prise du cultivateur sur la barre-poignée et reprendre le travail interrompu.

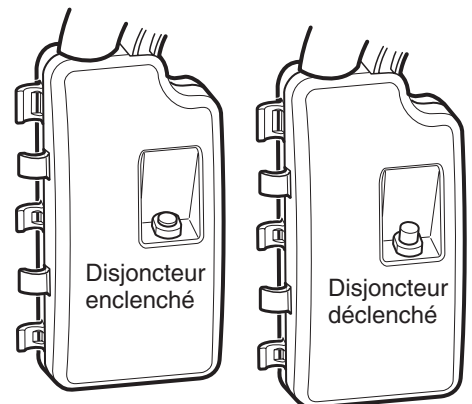


Figure 10 - Bouton du disjoncteur

Suite

# REMINGTON®

## CULTIVATEUR ÉLECTRIQUE

### UTILISATION DU CULTIVATEUR

*Suite*

#### DÉMARRAGE DU CULTIVATEUR

1. Saisir fermement des deux mains la zone de prise de la barre-poignée.
2. Avec le pouce, faire coulisser le levier de déblocage sur toute la longueur vers la droite (voir la figure 11). Cela libère le levier d'enclenchement.
3. Comprimer le levier d'enclenchement à fond (voir la figure 11). Le moteur démarre et les dents commencent à tourner. Une fois le cultivateur lancé, le levier de déblocage peut être relâché.
4. **IMPORTANT** : Pour arrêter le cultivateur, relâcher le levier d'enclenchement. Le moteur s'arrête et les dents cessent de tourner. Le levier d'enclenchement se trouve à nouveau bloqué.

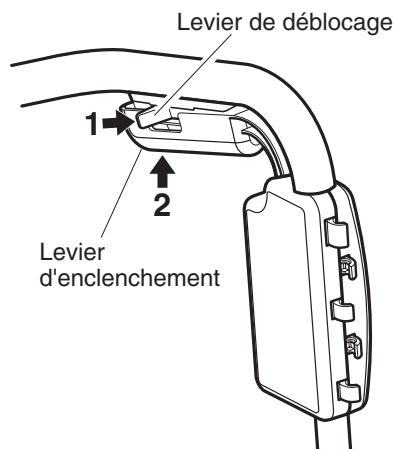


Figure 11 - Leviers de déblocage et d'enclenchement

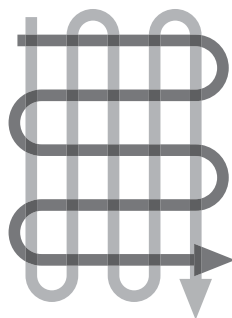
#### BASES D'UTILISATION DU CULTIVATEUR

Utiliser le cultivateur pour briser les mottes de terre, préparer le terrain à l'ensemencement et pour retourner la terre des jardins et jardinières. Le cultivateur peut également creuser des petits trous pour planter des jeunes arbres ou des plantes en pots.

Laisser le cultivateur effectuer la plupart du travail. Les dents tirent le cultivateur en avant durant le fonctionnement. En tirant le cultivateur en arrière de vous-même, les dents creusent plus profond et plus agressivement. Pour briser des mottes de terre ou labourer, laisser les dents tirer le cultivateur en avant jusqu'à avoir les bras tendus, puis tirer fermement le cultivateur en arrière vers soi. En laissant le cultivateur se déplacer en avant et en le retirant en arrière de façon répétée, le travail obtenu sera des plus efficaces.

Si le cultivateur creuse assez profondément pour rester coincé dans un endroit, le faire bouger latéralement sans brutalité d'un côté à l'autre pour qu'il finisse par repartir en avant. Pour préparer un terrain à l'ensemencement, il est recommandé de manœuvrer en suivant l'une des progressions représentées à la figure 12.

Progression de labourage un - Faire deux passages sur la zone à cultiver, le deuxième passage étant perpendiculaire au premier.



Progression de labourage deux - Faire deux passages sur la zone à cultiver, le deuxième passage chevauchant le premier.



Figure 12 - Progressions de labourage suggérées

#### MANIEMENT DU CORDON PROLONGATEUR

Comme pour une tondeuse et autres appareils électriques de jardinage, un certain bon sens d'approche se développe pour garder le cordon prolongateur en lieu sûr et logique pendant l'utilisation du cultivateur.

Un pince pratique de ceinture est comprise avec le cultivateur ; elle permet d'attacher le cordon prolongateur à sa taille et en facilite le maniement (voir la figure 13). Il est recommandé d'attacher la pince de ceinture et le cordon prolongateur sur son côté droit. Conserver suffisamment de mou entre le cultivateur et la pince de ceinture afin de garder une bonne aisance de manœuvre.

**⚠ AVERTISSEMENT : Ne pas oublier la présence du cordon prolongateur pendant l'utilisation du cultivateur. Faire attention de ne pas trébucher sur le cordon. Le maintenir constamment éloigné des dents.**

En cas de labourage en sillons, commencer au plus près de la prise de courant de la maison utilisée comme source de courant. Creuser le sillon dans le sens qui permet de maintenir le cordon prolongateur sur la droite de l'utilisateur. Lorsque le cultivateur atteint le bout du sillon, le tourner dans le sens opposé pour le sillon suivant. Ne pas oublier que tenir le cordon prolongateur derrière soi et sur sa droite facilite son maniement.

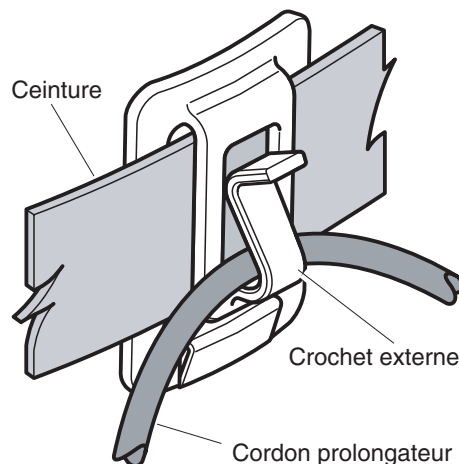


Figure 13 - Pince de ceinture pour cordon prolongateur

## UTILISATION DU CULTIVATEUR

*Suite*

### DÉGAGEMENT DES DENTS DE CORPS ÉTRANGERS

Pendant l'utilisation, une pierre ou une racine peut se loger dans les dents, ou de l'herbe haute ou des mauvaises herbes peuvent s'enrouler autour de leur axe.

Pour dégager les dents, relâcher le levier d'enclenchement. Débrancher le cultivateur et déloger ou retirer tous obstacles des dents ou de leur axe.

**⚠ AVERTISSEMENT : Toujours débrancher le cultivateur avant de placer les mains à proximité des dents. Toujours porter des gants pour se protéger les mains des bords tranchants des dents.**

Pour faciliter le retrait d'herbes hautes ou de mauvaises herbes enroulées sur l'axe des dents, retirer une ou plusieurs dents de leur axe. Voir *Retrait et installation des dents* à la page 38.

Une fois les dents dégagées, les réinstaller sur leur axe. Brancher le cordon d'alimentation électrique du cultivateur sur le cordon prolongateur. Saisir fermement des deux mains la zone de prise de la barre-poignée et reprendre l'opération normale de labourage.

## NETTOYAGE ET ENTRETIEN

**⚠ AVERTISSEMENT : Avant de le nettoyer ou de procéder à son entretien, débrancher le cultivateur de la prise de courant. Des blessures graves ou la mort peuvent être provoquées par une décharge électrique ou le contact du corps avec les dents en mouvement.**

**⚠ AVERTISSEMENT : Lors du nettoyage du cultivateur :**

- N'immerger le cultivateur dans aucun liquide.
- Ne pas employer de produits qui contiennent de l'ammoniac, du chlore ou des abrasifs.
- Ne pas se servir de dissolvants de nettoyage chlorés, de tétrachlorure de carbone, de kérosène ou d'essence.

### NETTOYAGE DU CULTIVATEUR

1. Pour nettoyer les capots avant et arrière et le garde-boue, se servir d'un chiffon trempé dans un mélange de savon doux et d'eau. Ne pas asperger ni verser d'eau directement sur le capot avant ou le capot arrière. Frotter les capots avant et arrière ainsi que le garde-boue avec le chiffon mouillé.
2. Pour enlever la terre et les débris des dents et de la transmission, employer une brosse dure ou un chiffon mouillé. Ne pas asperger ni verser d'eau directement sur le cultivateur.
3. Pour faciliter le nettoyage, retirer les dents de leur axe. Voir *Retrait et installation des dents* à la page 38.
4. Une fois propre, essuyer l'axe des dents et appliquer une légère couche d'huile dessus avant de réinstaller les dents.

### VÉRIFICATION DU LUBRIFIANT DE LA TRANSMISSION

1. Débrancher le cultivateur de la source de courant.
2. Localiser la vis de l'orifice de graissage situé au-dessus de l'axe des dents sur le côté droit de la transmission (voir la figure 14).
3. Coucher le cultivateur sur son côté droit. Enlever les jeux de dents du côté droit pour faciliter l'accès à la vis de l'orifice de graissage. Voir *Retrait et installation des dents* à la page 38.
4. Nettoyer la transmission pour empêcher la saleté et les débris de pénétrer dans la transmission.

5. À l'aide d'un tournevis à tête cruciforme, dévisser la vis de l'orifice de graissage du carter de transmission.
6. Si la graisse n'est pas visible par l'orifice, ajouter de la graisse de haute qualité pour automobile à base de pétrole à l'aide d'un pistolet à graisse standard. Placer le bec du pistolet à graisse fermement contre le bord de l'orifice et ajouter de la graisse jusqu'à ce qu'elle commence à suinter autour du bec du pistolet.
7. Remettre en place la vis de l'orifice de graissage et essuyer l'excès de graisse ayant débordé.
8. Remonter les jeux de dents sur l'axe. Voir *Retrait et installation des dents* à la page 38.

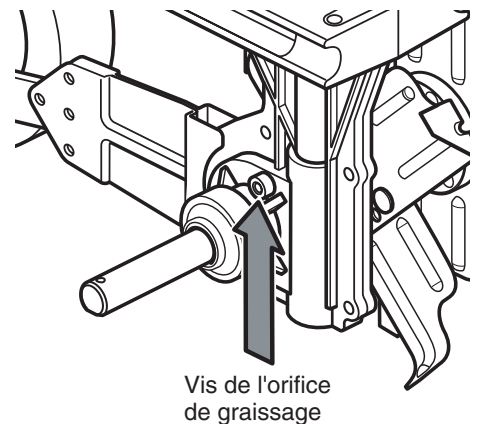


Figure 14 - Vis de l'orifice de graissage

### AUTRES POINTS DE LUBRIFICATION SUGGÉRÉS

**Boutons de réglage de la barre-poignée :** Vaporiser de temps en temps un lubrifiant de type silicone autour des boulons à étrier.

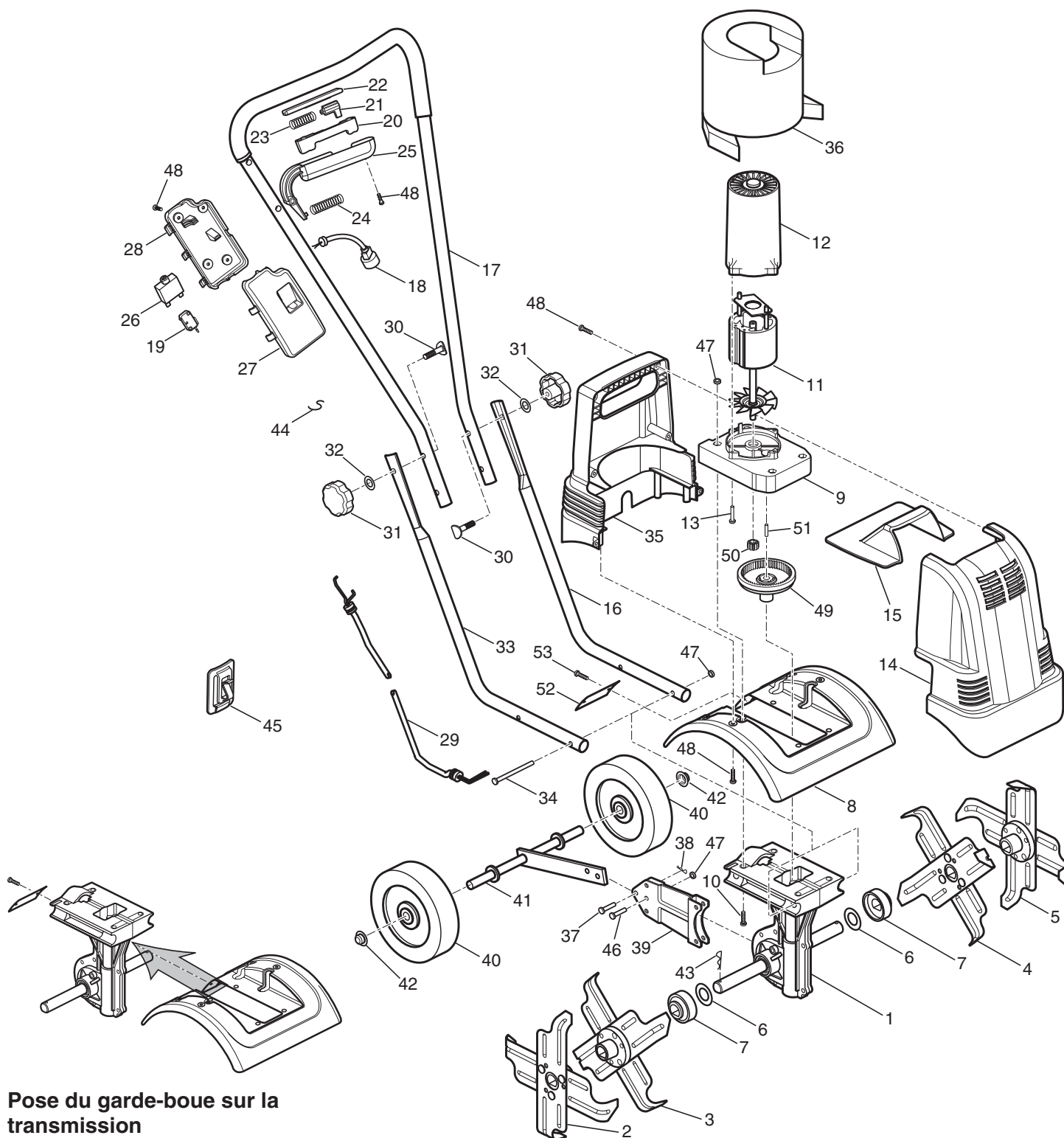
**Axe des dents :** Après chaque utilisation, enlever les dents, nettoyer l'axe avec du papier de verre fin et l'enduire d'une légère couche d'huile. Cela facilite l'installation et le retrait futurs de dents.

# REMINGTON®

## CULTIVATEUR ÉLECTRIQUE

### ILLUSTRATION DÉTAILLÉE DES PIÈCES

CULTIVATEUR ÉLECTRIQUE  
Modèle 109312-01



# MANUEL D'UTILISATION

## LISTE DES PIÈCES

### CULTIVATEUR ÉLECTRIQUE

Modèle 109312-01

Cette liste contient les pièces remplaçables utilisées sur le cultivateur. Lors de la commande de pièces, prendre soin de fournir le numéro de modèle correct, puis le numéro et la description de la pièce désirée.

N° CLÉ	N° DE PIÈCE	DESCRIPTION	QTÉ.	N° CLÉ	N° DE PIÈCE	DESCRIPTION	QTÉ.
1	109384-01	Ensemble transmission	1	28	109352-01	Capot inférieur du déclenchement	1
2	109342-01	Jeu de dents	1	29	109347-01	Cordon d'alimentation électrique	1
3	109342-04	Jeu de dents	1	30	109367-01	Boulon à étrier 0,312-18 x 1,5 po	2
4	109342-02	Jeu de dents	1	31	109366-01	Bouton de poignée	2
5	109342-03	Jeu de dents	1	32	WLE-5	Rondelle de blocage dentelée externe	2
6	109349-01	Rondelle en feutre	2	33	108444-02	Support de poignée, droit	1
7	109339-01	Capuchon antipoussière	2	34	H5C4-40C	Boulon à tête hex. 0,25-20 x 5 po	2
8	109332-01	Garde-boue	1	35	109344-01	Capot arrière	1
9	109333-01	Ensemble plaque avec palier	1	36	109341-01	Mousse	1
10	H5C4-20C	Boulon à tête hex. 0,25-20 x 2,5 po	4	37	109368-01	Clavette 0,25 x 1 po	1
11	109385-01	Ensemble moteur	1	38	109369-01	Goupille	1
12	076014	Ensemble boîtier moteur	1	39	109356-01	Support de l'assemblage des roues	1
13	059045	Vis à tête tronconique	4	40	109374-01	Roue	2
14	109343-01	Capot avant	1	41	109358-01	Ensemble axe	1
15	109345-01	Entrée d'air	1	42	109377-01	Écrou d'embout	2
16	108444-01	Support de poignée, gauche	1	43	109365-01	Goupille	2
17	108443-01	Ensemble tubulaire supérieur de la poignée	1	44	109364-01	Pince-fil	4
18	099829-05	Cordon interne	1	45	109361-01	Pince de ceinture	1
19	107729-01	Mini-connecteur	1	46	H5C4-8C	Boulon à tête hex. 0,25-20 x 1 po	1
20	109360-01	Couvercle latéral du déblocage	1	47	NEC-4C	Écrou de blocage hex. 0,25-20	7
21	109355-01	Curseur du déblocage	1	48	059046	Vis à tête tronconique PR n°8, type 25	16
22	109354-01	Butoir	1	49	109336-01	Couronne dentée	1
23	107694-01	Ressort du déblocage	1	50	059606	Pignon d'entraînement	1
24	109357-01	Ressort de l'enclenchement	1	51	075676	Roulement à rouleaux, pignon	1
25	109353-01	Levier d'enclenchement	1	52	109350-01	Plat de garde-boue	1
26	22616013	Disjoncteur	1	53	103708-01	Vis, PPH TPG "B"	2
27	109351-01	Capot supérieur du déclenchement	1				



# REMINGTON®

## CULTIVATEUR ÉLECTRIQUE

### DÉPANNAGE

*Remarque* : Pour trouver de l'aide, visiter le site Web du service technique de DESA International à [www.desatech.com](http://www.desatech.com).

**⚠ AVERTISSEMENT** : Avant de procéder à son entretien, débrancher le cultivateur de la prise de courant. Des blessures graves ou la mort peuvent être provoquées par une décharge électrique ou le contact du corps avec les dents en mouvement.

### DÉFAILLANCE OBSERVÉE

Le moteur ne marche pas quand on comprime le levier d'enclenchement

### CAUSE POSSIBLE

1. Le levier de déblocage n'a pas été manœuvré pour permettre de libérer le levier d'enclenchement
2. Une connexion du cordon prolongateur est lâche ou défaite
3. Le disjoncteur du cultivateur est déclenché
4. Le disjoncteur de la maison s'est déclenché sur un fusible de ligne ouvert
5. Brosses du moteur en mauvais état
6. Câble ouvert sur le disjoncteur

### RECOURS

1. Appuyer à fond sur le levier de déblocage avant de comprimer le levier d'enclenchement (voir *Démarrage du cultivateur* à la page 40)
2. Vérifier les connexions du cordon
3. Vérifier le disjoncteur du cultivateur (voir *Protection par disjoncteur* à la page 39)
4. Vérifier le disjoncteur ou le fusible de la ligne (voir *Protection par disjoncteur* à la page 39)
5. Contacter un réparateur agréé
6. Contacter un réparateur agréé

Le moteur tourne mais les dents ne bougent pas

Défaillance du jeu de pignons

Contacteur un réparateur agréé

Le cultivateur fume

Le cultivateur est endommagé. Ne pas l'utiliser

Contacteur un réparateur agréé

### SERVICE TECHNIQUE

Des questions peuvent encore se présenter concernant l'assemblage, le fonctionnement ou l'entretien de ce cultivateur. En pareil cas, s'adresser au service d'assistance technique de DESA International au 1-800-858-8501.

Visiter également le site Web du service technique de DESA International à [www.desatech.com](http://www.desatech.com).

### SERVICE DE RÉPARATIONS

*Remarque* : N'employer que des pièces de rechange d'origine. Cela protège la couverture de la garantie pour les pièces remplacées sous garantie.

La propriété et l'opération de chaque centre de réparations agréé sont indépendantes. Pour de plus amples renseignements sur les centres de réparations et la garantie, appeler le 1-800-858-8501.

### PIÈCES DE RECHANGE

Pour l'obtention de pièces de rechange d'origine, s'adresser aux concessionnaires agréés ou au dépositaire de pièces le plus proche figurant dans la liste ci-après.

### RÉPARATION SOUS GARANTIE

Si le cultivateur a besoin d'une réparation sous garantie, le retourner au réparateur agréé le plus proche. Une preuve d'achat doit être présentée. Si des matériaux défectueux ou un défaut de fabrication sont la cause de la panne, le cultivateur sera réparé ou remplacé gratuitement. *Remarque* : L'usure normale, le mauvais usage, l'abus, la négligence et l'endommagement accidentel ne sont pas couverts par la garantie.

### RÉPARATION HORS GARANTIE

Si le cultivateur a besoin d'une réparation, le retourner au réparateur agréé le plus proche. Les réparations seront facturées au tarif régulier.

# MANUEL D'UTILISATION

## CONCESSIONNAIRES DE PIÈCES

Ray's Portable Heater Service  
3191 Myers Road  
Camino, CA 95709-9550  
530-644-7716

Shamay's Enterprises  
P.O. Box 3714  
58643 Knox-Niman Lane  
Landers, CA 92285  
760-364-2046

Baltimore Electronics  
1348 Dixwell Avenue  
Hamden, CT 06514-0322  
203-248-7553  
1-800-397-7553

Eckley's Small Engine  
31617 Spruce Drive  
Eustis, FL 32726-9592  
352-357-6764

Parts Company of America  
1657 Shermer Road  
Northbrook, IL 60062-5362  
708-498-5900  
1-800-323-0620  
www.grainger.com

Portable Heater Parts  
342 North County Road 400 East  
Valparaiso, IN 46383-9704  
219-462-7441  
1-800-362-6951  
www.portableheaterparts.com  
sales@portableheaterparts.com  
techservice@portableheaterparts.com

FBD  
1349 Adams Street  
Bowling Green, KY 42103-3414  
270-846-1199  
1-800-654-8534  
franktalk@aol.com

Lyons & Lyons Sales Co. Inc.  
Glen Arm Road  
Glen Arm, MD 21057-9454  
410-665-6500  
1-800-333-5966  
lyonsco@erols.com

Master Part Distributors  
1251 Mound Avenue NW  
Grand Rapids, MI 49504-2672  
616-791-0505  
1-800-446-1446

Hance Distributors Inc.  
12795 16th Avenue North  
Plymouth, MN 55441-4556  
763-559-2299  
www.hanceco.com

Automotive Equipment Service  
3117 Holmes  
Kansas City, MO 64109-1716  
816-531-9144  
1-800-843-3546  
www.aes-lawnparts.com

Bowden Electric Motor Service  
1681 S. Wesleyan Blvd.  
Rocky Mount, NC 27803  
252-446-4203

Forrest Lytle and Sons Inc.  
740 West Galbraith Road  
Cincinnati, OH 45231-6002  
513-521-1464

Bortz Chain Saw Shop  
Road #2, Box 64A  
Oley, PA 19547-9412  
610-987-6452

21st Century  
2950 Fretz Valley Road  
Perkasie, PA 18944-4034  
215-795-0400  
1-800-325-4828

Laportes Parts and Service  
2444 N 5th Street  
Hartsville, SC 29550-7704  
843-857-0222

Webbs Appliance Center  
1519 Church Street  
Nashville, TN 37203-3004  
615-329-4079  
1-800-899-4079

Industrial Hardware  
4109 Bainbridge Blvd.  
Chesapeake, VA 23324-1403  
804-543-2232  
1-800-788-0008  
catatam@erols.com

Mills Lawn and Garden  
928 Commonwealth Place  
Virginia Beach, VA 23464  
757-361-9293  
www.mills-parts.com

Tuco Industrial Products  
5223 180th Street SW  
Suite 4A-1  
Lynnwood, WA 98037-4506  
425-743-9533  
1-800-735-1268  
www.tucoheat.com

## CENTRES DE RÉPARATIONS AGRÉÉS

**ALABAMA (AL)**  
A & O General Repair Service  
1470 Opelika Road  
Auburn, AL 36830  
334-821-7022

Southern Power Tool  
3956 Government Blvd.  
Mobile, AL 36693  
334-639-8188

**ARIZONA (AZ)**  
Best Brothers Lawnmower Repair  
5549 W. Glendale Avenue  
Glendale, AZ 85301  
602-939-9170

D & L Small Engines, Inc.  
10023 North 19th Ave.  
Phoenix, AZ 85021  
602-861-1978

Power Tool Service Center  
660 East 19th Street  
Tucson, AZ 85719  
520-884-8974

**CALIFORNIA (CA)**  
Ray's Portable Heater Service  
3191 Meyers Road  
Camino, CA 95709  
530-644-7716

California Electric Service  
612 South Shoppers Lane  
Covina, CA 91723  
818-915-4935

California Electric Company  
1208 East Ash Avenue  
Fullerton, CA 92631  
714-870-0900

J & N Garden Equipment  
4460 W. Imperial Hwy.  
Inglewood, CA 90304  
310-671-0079

Shamay's Enterprises  
P.O. Box 3714  
58643 Knox-Niman Lane  
Landers, CA 92285  
760-364-2046

California Electric Service  
2594 East Colorado Blvd.  
Pasadena, CA 91107  
626-792-3194

West Coast Contractors Supply  
#28 13th Street  
San Francisco, CA 94103  
415-861-6124

Leete Electric Company  
930 Petaluma Hill Road  
Santa Rosa, CA 95404  
707-545-0484

Rincon Valley Yard & Garden  
4972 Sonoma Hwy  
Santa Rosa, CA 95409  
707-593-4124

California Electric Service  
14753 Oxnard Street  
Van Nuys, CA 91411  
818-997-8855

Power Outdoor Equipment  
3160 Industrial Drive  
Yuba City, CA 95993  
530-671-1871

**COLORADO (CO)**  
McGuckin Power Equipment Center  
2845 Valmont Road  
Boulder, CO 80302  
303-443-9317

Ace Mower and Small Engines  
4718 Chromium Drive  
Colorado Spring, CO 80918  
719-593-0862

Bartell Tool Service  
1448 W. Cedar Avenue  
Denver, CO 80223  
303-777-5463

Metrogas Equipment Company  
790 West 64th Ave.  
Denver, CO 80221  
303-428-3036

Winfrey's Jones LLP  
317 8th Street  
Greeley, CO 80631  
970-353-9576

AAA Electric Company, Inc.  
24 South Main Street  
Longmont, CO 80501  
303-776-6031

Dales Electric Motor Repair  
932 Coffman Street  
Longmont, CO 80501  
303-651-6907

**CONNECTICUT (CT)**  
Baltimore Electronics  
5 Manila Ave.  
Hamden, CT 06514  
203-248-7553  
1-800-397-7553

Utility Electric Service  
53 Main Street  
Hartford, CT 06106  
860-246-7271

Goodies Sales and Service  
133 Hamilton Street  
New Haven, CT 06515  
203-865-1470

**FLORIDA (FL)**  
301 Mower Shop  
5724 15th Street E.  
Bradenton, FL 34203  
941-758-7844

Eckley's Small Engine  
31617 Spruce Drive  
Eustis, FL 32736  
352-357-6764

Al's Small Engine, Inc.  
2496 Blanding Blvd.  
Middleburg, FL 32068  
904-282-5472

Lindle & Sons Electric Motor Repair  
7016 Hwy. 22  
Panama City, FL 32401  
850-871-1722

Eustis and Sons, Inc.  
7035 66th Street North  
Pinellas Park, FL 34665  
727-544-1486

A1A Small Engines & Equipment  
420 S. Dixie Hwy. E.  
Pompano Beach, FL 33060  
954-946-5044

Mulvaney's Inc.  
2148 W. Tennessee Street  
Tallahassee, FL 32304  
850-576-5578

**GEORGIA (GA)**  
Hamilton Hardware  
5300 Veterans Pkwy.  
Columbus, GA 31904  
706-322-6545

Able Tool Rental  
3360 Fairburn Road  
Douglasville, GA 30135  
770-949-1932

Douglasville Ace Hardware  
6530 Church Street  
Douglasville, GA 30133  
770-942-7044

# REMINGTON®

## CULTIVATEUR ÉLECTRIQUE

ASAP Equipment Services  
3560 C Buford Hwy  
Duluth, GA 30096  
678-584-5462

Fayette Mower & Appliance  
395 S. Glynn St.  
Fayetteville, GA 30215  
770-461-9400

S & P Rental & Supply Co.  
259 Grayson Hwy  
Lawrenceville, GA 30245  
770-963-0392

Spray Solutions  
476 Flowing Wells Rd. D-1  
Martinez, GA 30907  
706-855-1293

Tifton Electric Motors  
1265 US Hwy. 82E  
Tifton, GA 31794  
912-382-4040

### IDAHO (ID)

Rossiter Electric  
1501 S. Capitol Ave.  
Idaho Falls, ID 83403  
208-529-3665

Steam Store Rocky Mountain, Inc.  
155 North Gate Mile  
Idaho Falls, ID 83401  
208-522-0609

J & J Enterprises  
1704 Addison Avenue East  
Twin Falls, ID 83301  
208-733-2001

### ILLINOIS (IL)

Uline Lawn Equipment  
290 W. Squk Trail  
Chicago Heights, IL 60411  
708-755-2227  
708-755-1533 (Fax)

Lange Electric  
912 E. Fayette  
Effingham, IL 62401  
217-347-7626

Carter's Small Engine Repair  
206 N. Hickory Street  
Galatia, IL 62935  
618-268-4814

H & R Pump Company, Inc.  
2111 E. Washington Street  
Joliet, IL 60434  
815-726-2950

### INDIANA (IN)

Hutchens Sales and Service  
R.R. #5, Box 550  
Bloomfield, IN 47424  
812-876-1891

Nichols Ice & Oil  
2018 Park Road  
Connersville, IN 47331  
765-825-3741

B & W Repair Service  
213 N. Main Street  
Dale, IN 47523  
812-937-2576

Industrial Motor & Electrical Supply, Inc.  
64466 State Road 19  
Goshen, IN 46526  
219-862-4044

Tyrie Mower Repair  
110 South 16th Street  
Lafayette, IN 47905  
765-742-7886

Kabelin True Value Hardware  
512 Andrew Avenue  
Laporte, IN 46350  
219-362-7917

Lear Lawn & Garden  
2204 N. Wolfe Street  
Muncie, IN 47303  
765-282-6273

Li'l Engine Sales & Service, Inc.  
1428 Vincennes Street  
New Albany, IN 47150  
812-944-1377

Portable Heater Parts  
342 North County Road, 400 East  
Valparaiso, IN 46383  
219-462-7441

D W Handy's  
217 West 15th St.  
Vincennes, IN 47591  
812-886-0172

New Paris Farm Store  
68443 W. Main Street  
P.O. Box 96  
New Paris, IN 46553  
219-831-4823

### IOWA (IA)

Beal's Motor Rewinding  
600 West Beach  
Cherokee, IA 51012  
712-225-6173

Blink Electric Motors  
Rear 116 N. 1st Ave.  
Marshalltown, IA 50158  
641-752-3036

Northeast Iowa Motor Service  
24665-150th Street  
Sumner, IA 50674  
563-578-5883

Black Hawk Rental  
324 West 15th Street  
Waterloo, IA 50702  
319-234-4421

**KANSAS (KS)**  
Abilene Rent-All & Sales  
1701 West 1st Street  
Abilene, KS 67410  
785-263-7668

NAAB Electric, Inc.  
2013 W. Jones  
Garden City, KS 67846  
316-276-8101

Morris Electric Repair  
2423 5th Street  
Great Bend, KS 67530  
316-792-2919

McPherson Rental Center  
911 West First Street  
McPherson, KS 67460  
620-241-3333

**KENTUCKY (KY)**  
Gillum's Service & Repair  
8611 Rt. US 60  
Ashland, KY 41102  
606-928-4932

E-Z Rent It Inc.  
1428 U.S. 31-W By-Pass  
Bowling Green, KY 42101  
270-782-9462

Roman's Repair Shop  
601 College Street  
Bowling Green, KY 42101  
270-746-0857

Hopkinsville Electric Motor  
704 W. 15th Street  
Hopkinsville, KY 42240  
270-886-7585

Maury's Fluorescent Appliance  
1521 Bardstown Road  
Louisville, KY 40205  
502-456-1671

Rental World, Inc.  
9509 Dixie Hwy.  
Louisville, KY 40272  
502-935-8853

All States Industrial Repair  
728 E. Center Street  
Madisonville, KY 42431  
270-821-6555

**LOUISIANA (LA)**  
Triangle Bicycle and Lawnmower  
5433 Crowder Road  
New Orleans, LA 70127  
504-241-3239

Wayne's Heat & Air  
1605 W. Vine Street  
Opelousas, LA 70570  
337-948-4246

Evans of LA, Inc.  
907 Cypress Street  
West Monroe, LA 71291  
318-322-6180

### MAINE (ME)

Richard's Electric Motor  
549 Main Street  
Caribou, ME 04736  
207-498-8950

Roger's Electric Motor Shop  
823-West Main Street  
Madawaska, ME 04756  
207-728-4253

Rent-N-Save  
28 Allen Avenue  
Portland, ME 04103  
207-797-2223

### MARYLAND (MD)

Center Supply Company  
6802 Industrial Drive #208  
Beltsville, MD 20705  
301-595-0860

Lehmans Hardware, Inc.  
5921 Belair Road  
Baltimore, MD 21206  
410-483-5888

Norris Taylor Contractors, Inc.  
8480 Ocean Gateway  
Easton, MD 21601  
410-822-2050

Lyons & Lyons Sales Co. Inc.  
Glen Arm Road  
Glen Arm, MD 21057-9454  
410-665-6500  
1-800-333-5966  
lyonsco@erols.com

Chesapeake Rent All  
210 N. Stokes Street  
Havre De Grace, MD 21078  
410-939-1720

B & M Sharpening & Repair  
8614 Church Lane  
Randalstown, MD 21133  
410-655-0801

### MASSACHUSETTS (MA)

Ormond's Inc.  
115R Dean Ave.  
Franklin, MA 02038  
508-528-2013

Beacon Lumber/Beacon Rental  
513 Church Street  
New Bedford, MA 02745  
508-995-1766

Mott's Tool Repair Service  
92 Rayber Road  
Orleans, MA 02653  
508-240-0764

Utility Electric Service #2  
810 Main Street  
Springfield, MA 01105  
413-781-1635

### MICHIGAN (MI)

R & A Service  
12900 Haggerty Road  
Belleville, MI 48111  
734-697-1144

Thompson's Rental Resale Repair  
11973 New Lothrop Road  
Byron, MI 48418  
810-266-4969

Hendricks Sales  
7876 Division  
Grand Rapids, MI 49548  
616-455-8220

Chicago Drive Rentals, Inc.  
11298 Chicago Drive  
Holland, MI 49424  
616-396-9575

Fowler's Farm City Sales  
2876 West Washington Road  
Ithaca, MI 48847  
989-875-3976

Superior Industrial Sales & Service  
116 N. State Street  
Jackson, MI 49201  
517-784-0539

Norm's Electric Motor Repair  
414 Walbridge Street  
Kalamazoo, MI 49007  
616-382-5054

A & J Rentals  
550 S. 11th Street  
Niles, MI 49120  
616-684-3200

Bob's Service Shop  
2537 W. Drahnner Road  
Oxford, MI 48371  
248-628-2601

Bid's Service, Inc.  
11276 E. Ten Mile  
Warren, MI 48089  
810-759-3040

### MINNESOTA (MN)

Perry's Electrical Rebuilders  
24664 Hale Avenue  
Forest Lake, MN 55025  
651-464-8054

Andy's Small Engine City  
2408 Pearl Ct. SE  
Rochester, MN 55904  
507-280-0373

Reed's Sales & Service  
1260 Payne Ave.  
St. Paul, MN 55101  
651-774-9515

### MISSISSIPPI (MS)

Handy Man Rentals  
1904 Shiloh Road  
Corinth, MS 38834  
662-287-2460

### MISSOURI (MO)

Stewarts Enterprises  
7631 NW Salebarn Road  
Cameron, MO 64429  
816-632-6578

Northwest Power Sales  
26848 Haultain Drive  
Maryville, MO 64468  
660-582-5080

Buchheit, Inc.  
Route 7, Box 239  
Perryville, MO 63775  
573-547-1017

A K Small Engine Works  
15726 Hwy C  
Versailles, MO 65084  
573-378-6339

### MONTANA (MT)

Tom's Service Repair  
1111-6th Avenue North  
Billings, MT 59101  
406-259-6179

Mosch Electric Motors, Inc.  
2513 - 17th St. NE  
Black Eagle, MT 59414  
406-453-2481

Sun Rental Center  
1301 - 3rd St. NW  
Great Falls, MT 59404  
406-761-6688

### NEBRASKA (NE)

Hatten's Electric Service  
130 S. Hastings, Box 843  
Hastings, NE 68901  
402-463-4596

Craft Specialties  
108 Hillside Drive  
Norfolk, NE 68701  
402-379-3129

Flohr Electric Motor  
4356 South 90th Street  
Omaha, NE 68127  
402-331-6863

MSE Parts Unlimited  
4935 South 136th Street  
Omaha, NE 68137  
402-895-0806

Ted's Mower Sales and Service, Inc.  
5155 Q. Street  
Omaha, NE 68117  
402-731-7058

LaVern Hass Repair  
1204 - 1st Road  
Wisner, NE 68791  
402-529-6846

### NEW HAMPSHIRE (NH)

Kingston Enterprises  
85 North Road  
Kingston, NH 03848  
603-642-3506

### NEW JERSEY (NJ)

Associated Industries  
2433 Rt. 206  
Eastampton, NJ 08060  
609-267-8417

Woodchuck's Lawnmower  
and Appliance  
220 Whitehorse Pike  
Magnolia, NJ 08049  
856-783-1111

Tep's Power Equipment  
1002 N. High Street  
Millville, NJ 08332  
856-825-8294

Richard's Sharpening Service  
824 Mill Road  
Northfield, NJ 08225  
609-641-9481

Capitol Service & Equipment  
551 New Market Road  
Piscataway, NJ 08855  
732-968-5577

Air & Electric Tool Service, Inc.  
130 W. 3rd Street  
Roselle, NJ 07203  
908-242-6930

### NEW YORK (NY)

Valley Mower Service  
2857 Ellis Creek Road  
Barton, NY 13734  
607-589-4825

White Tool Supply Inc.  
3047 Atlantic Avenue  
Brooklyn, NY 11208  
718-227-8844

Lehman's Farm & Home Supply  
Route 26  
Denmark, NY 13631  
315-493-1151

M & S Repair Shop  
303 Hilltop Drive  
Elma, NY 14059  
716-652-0311

Luther's Outdoor Equipment  
3676 State Route 5  
Frankfort, NY 13340  
315-894-4467

Crossbay Appliance Service  
158-34 Crossbay Blvd.  
Howard Beach, NY 11414  
718-843-4422

Provenzano's  
84 E. Main Street  
Kings Park, NY 11754  
631-269-1080

Para-Deys Tools  
708 Victor Road  
Macedon, NY 14502  
315-986-2520

P & C  
12 East Street  
Nunda, NY 14517  
716-468-5050

Otega Repair  
226 County Hwy 7  
Otego, NY 13825  
607-988-7859

Owego Agway Coop  
38 West Avenue  
Owego, NY 13827  
607-687-2039

Larmon Small Engine  
16353 Co. Rt. 91  
Pierrepont Manor, NY 13674  
315-465-6671

# MANUEL D'UTILISATION

R & D Mower & Snowblower  
Sales and Service  
1632 Empire Blvd.  
Webster, NY 14580  
716-671-9409

Bedford Appliance, Inc.  
1173 Yonkers Ave.  
Yonkers, NY 10704  
914-237-7575

**NORTH CAROLINA (NC)**  
Harnett & Wake Sales & Service  
44 N. Broad Street  
Angier, NC 27501  
919-331-0463

Leonard Electric Motor Repair, Inc.  
531 N. Fayetteville St.  
Asheboro, NC 27203  
336-625-2375

Martin Equipment Company  
4209-B US 70 E.  
Goldsboro, NC 27534  
919-778-5996

Hickory Home & Garden  
336 HWY 321 NW  
Hickory, NC 28601  
704-327-3719

O'Mary's Small Engine  
220 W. Forlines Road  
Winterville, NC 28590  
252-355-4597

**NORTH DAKOTA (ND)**  
Fix-It Shop  
316 21st Street E.  
Dickson, ND 58601  
701-225-0766

Ted's Saw Service  
901 South 12th Street  
Grand Forks, ND 58201  
701-775-7343

Craig's Small Engine Repair  
508 East 2nd Street  
Williston, ND 58801  
701-774-0798

**OHIO (OH)**  
Carter Electrical Repair  
3448 Lunar Rd. NE  
Carrollton, OH 44615  
330-627-4061

North East Mower Service  
412 East 156th Street  
Cleveland, OH 44110  
216-531-8197

Lefeld Welding & Steel Supply  
600 N. Second Street  
Coldwater, OH 45828  
419-678-2397

Dayton Hardware & Supply  
16-32 N. Irwin Street  
Dayton, OH 45404  
513-258-3721  
1-800-762-3426 Ohio only

Ken's Repair  
3246 S. Sectionline  
Delaware, OH 43015  
740-369-4798

Anytool & Outdoor Power Equip.  
21150 Lorain Road  
Fairview Park, OH 44126  
440-356-1920

Deep Run Mower Service  
58781 Heil Addn. Deep Run  
Martins Ferry, OH 43935  
740-859-6131

Worcester Sales and Service  
34200 Lorian Road  
N. Ridgeville, OH 44039  
440-327-2196

Leonard Hardware  
145 North 15th Street  
Sebring, OH 44672  
330-938-6329

Sparks Sales & Service  
5184 Fletcher Chapel Road  
Springfield, OH 45502  
937-323-5925

United Rentals of North America  
5745 Angola Road  
Toledo, OH 43615  
419-865-5539

**OKLAHOMA (OK)**  
Kay Electric Company  
1101 W. Broadway  
P.O. Box 635  
Altus, OK 73522  
580-482-1757

Sooner Distributors  
3021 S. High Street  
Oklahoma City, OK 73143  
405-634-3391

H. L. Moss  
1714 E. 15th Street  
Tulsa, OK 74104  
918-744-1305

**OREGON (OR)**  
Turner's Lawnmower and Saw  
728 SE Robin Way  
Gresham, OR 97080  
503-665-5441

Pendleton Grain Growers  
200 S. 1st Street  
Hermiston, OR 97801  
541-567-5591

Appliance Repair Central  
3203 NE Sandy Blvd.  
Portland, OR 97232  
503-234-7339

**PENNSYLVANIA (PA)**  
General Rental & Sales Center  
Old Rt 1 & 41  
Avondale, PA 19311  
610-268-2825

Bud's Tractor and Mower Service  
21 Bock Lane  
Baden, PA 15005  
724-869-7142

Engine Doctors  
20 Russell Blvd.  
Bradford, PA 16701  
814-362-3091

Pro-Fix  
136 Narrows Road  
Edwardsville, PA 18651  
570-288-0476

Carson's Hardware  
637-43 Main Street  
Hellertown, PA 18055  
610-838-7741

Al Muccioli's Service  
2001 Bedford Street  
Suite C  
Johnstown, PA 15904  
814-266-5734

Valray Nurseries Inc.  
R.D. #8, Box 362  
Kittanning, PA 16201  
724-548-1579

Hillyard Equipment Service Center  
633 Lausch Lane  
Lancaster, PA 17601  
717-569-5768

Petrosky's Hardware & Supply Co.  
602 Alexandria Street  
Latrobe, PA 15650  
724-537-3541

Raymond, M. Nolt  
290 S. Shirk Road  
New Holland, PA 17557  
717-354-0198

Snyder Electric Company  
1500 Chateau Street  
Pittsburgh, PA 15233  
412-231-3100

Stamm's Mower Repair  
Rd. 5, Pine Lane Box 150  
Selinsgrove, PA 17870  
570-743-7651

**SOUTH CAROLINA (SC)**  
Hall's Small Motor Repair  
225 Heathwood Drive  
Aiken, SC 29803  
843-649-6313

Todd's Electric Motor Repair  
110 Laurel Street  
Conway, SC 29526  
843-248-2444

LaPortes  
2444 N. 5th Street  
Hartsville, SC 29550  
843-857-0222

Turner Repair Service  
3 E. Belvue Road  
Taylors, SC 29687  
864-244-1746

**TENNESSEE (TN)**  
Vista Small Engine  
1510 Vista Lane  
Clarksville, TN 37043  
931-552-6953

Master Repair Service  
305 Elmore Road  
Crossville, TN 38555  
931-484-2061

The Speciality Shop  
2300 East Magnolia Avenue  
Knoxville, TN 37917  
865-523-6894

Webb's Appliance Service Center  
1519 Church Street  
Nashville, TN 37203  
615-329-4079

**TEXAS (TX)**  
Sacate Vedre, Inc.  
1906 N. Western  
Amarillo, TX 79106  
806-373-4409

Industrial Distributing Co.  
9411 Neils Thompson Dr.  
Austin, TX 78759  
361-837-4122

Brunson Feald Mill  
709 Sealy Ave.  
Ballinger, TX 76821  
915-365-2419

Bud's LP Gas & Supply  
225 Grand  
Channelview, TX 77330  
713-457-2456

Corpus Christi Power Tool & Rpr.  
3701 Agnes  
Corpus Christi, TX 78405  
361-883-1117

Freel Enterprise  
118 Elston  
Dallas, TX 75232  
214-376-9913

Southwest Electric Service  
3008 Canton St.  
Dallas, TX 75226  
214-742-8211

Powell's Small Engine Service  
5906 Hwy 66  
Greenville, TX 75402  
903-454-1877

Home Appliance Services  
1909 Reese Street  
Liberty, TX 77575  
409-336-8615

**UTAH (UT)**  
Roosevelt Service Center  
133 South 300 East, Box 1546  
Roosevelt, UT 84066  
435-722-2119

Appliance Service Center  
1475 S. Main Street  
Salt Lake City, UT 84115  
801-467-6361

**VIRGINIA (VA)**  
Industrial Hardware  
4109 Bainbridge Blvd.  
Chesapeake, VA 23324  
804-543-2232

Warren E. Smith Shops  
406 Cambria Street  
Christiansburg, VA 24073  
540-382-5501

B & B Appliance & Lawn Equipment  
71 Lawson Road SE Suite C  
Leesburg, VA 22075  
703-777-1093

Roberts Small Engine Repair  
1109 Curve Road  
Pearisburg, VA 24134  
540-921-3255

American Power Equip. Ctr.  
2381 Staples Mill Road  
Richmond, VA 23230  
804-354-5810

Outdoor Power Equipment  
800 White Marsh Road  
Suffolk, VA 23434  
804-925-4933

Mills Repair Service  
928 Commonwealth Place  
Virginia Beach, VA 23464  
757-361-9293

**WASHINGTON (WA)**  
Action Small Appliance Service  
1500 - 145th Place SE  
Bellevue, WA 98007  
425-643-9806

TUCO Industrial Products  
5223 - 180th SW Suite 4A-1  
Lynnwood, WA 98037  
425-743-9533

Action Small Appliance  
2125 Second Avenue  
Seattle, WA 98121  
206-448-2020

Lifficks Electric Shop  
8239 S. Park Avenue  
Tacoma, WA 98408  
425-474-7403

**WEST VIRGINIA (WV)**  
Beckley Mower Service  
3695 Robert C. Byrd Drive  
Beckley, WV 25802  
304-253-5748

Raymond's Service Center  
Route 65  
Delbarton, WV 25670  
304-475-2855

Town and Country Supply  
4117 First Avenue  
Nitro, WV 25143  
304-755-3520

**WISCONSIN (WI)**  
Smith Petroleum Ltd.  
217 N. Waiworth  
Darlen, WI 53114  
262-724-3206

Ohnstad Power Equipment  
12012 Center Hill Road  
Darlington, WI 53530  
608-776-3802

Bob's Engine Shop  
513 S. Military Road  
Fond Du Lac, WI 54935  
920-921-2841

Reliance Electric Motors  
1621 Livingstone Road  
Hudson, WI 54016  
715-386-3633

Kewaunee Small Engine  
E2068 State Hwy 29  
Kewaunee, WI 54216  
920-388-2604

Ken's Economy Sales  
8887 Highway A  
Marshfield, WI 54449  
715-676-2143

Cliff's Tractor Place  
Hwy 35-133  
P.O. Box 76  
Patch Grove, WI 53817  
608-994-2354

Barton Small Engine  
1628 N. Main Street  
West Bend, WI 53090  
262-334-5373

## **GARANTIE LIMITÉE DU CULTIVATEUR ÉLECTRIQUE**

Dans toute correspondance adressée à l'usine, toujours préciser le numéro de modèle.

Nous nous réservons le droit de modifier ces spécifications à tout moment, sans préavis. La seule garantie applicable est notre garantie écrite standard. Nous n'accordons aucune autre garantie, expresse ou tacite.

DESA International garantit ce cultivateur électrique et toutes ses pièces contre tous défauts de matériau et de fabrication pendant deux ans à compter de la date d'achat initial d'un concessionnaire agréé, à condition que le produit soit correctement maintenu et utilisé conformément aux instructions en vigueur. Cette garantie n'a d'effet que pendant 90 jours à compter de la date d'achat d'un concessionnaire agréé si le cultivateur est utilisé à titre commercial, industriel ou de location. Le contrat ou la preuve d'achat doit être présenté au moment d'une réclamation faite sous garantie.

Cette garantie ne s'applique qu'à l'acheteur au détail initial. Elle couvre uniquement le coût des pièces et de la main-d'œuvre nécessaires à la remise en bon état de fonctionnement du cultivateur. Les pièces sous garantie doivent être obtenues de concessionnaires et centres de réparations agréés par l'usine pour ce produit. Ces concessionnaires et réparateurs fourniront des pièces de rechange d'usine d'origine. L'emploi de pièces de rechange autres que celles d'usine d'origine annule cette garantie.

Cette garantie ne couvre pas les pièces qui ne sont pas en condition d'origine par suite d'usure normale, ni les pièces qui deviennent défectueuses ou sont endommagées par suite de mauvais usage, d'accident, de manque d'entretien approprié, d'altération ou de modification. Le déplacement, la manutention, le transport et les frais connexes associés aux réparations sous garantie ne sont pas remboursables en vertu de cette garantie et relèvent de la responsabilité du propriétaire.

Dans toute la mesure autorisée par la loi de la juridiction qui régit la vente de ce produit, cette garantie expresse exclut toutes autres garanties expresses et limite la durée de toutes garanties tacites, en ce compris les garanties de valeur marchande et de convenance à des fins particulières, à deux ans à compter de la date d'achat, et la responsabilité de DESA International est limitée par les présentes au prix d'achat du produit. DESA International ne sera redevable d'aucun autre dommage, quel qu'il soit, notamment les dommages indirects, accidentels ou consécutifs.

Certains états ne permettent pas de limiter la durée d'une garantie tacite ou l'exclusion de dommages accidentels ou consécutifs, si bien que la limitation de dommages ci-dessus peut ne pas s'appliquer à votre cas.

Cette garantie accorde des droits spécifiques à l'acheteur initial. Pour tous renseignements concernant ces droits, prière de consulter les lois d'état en vigueur.



P.O. Box 90004  
Bowling Green, KY 42102-9004  
[www.desatech.com](http://www.desatech.com)



2220 Argentia Road  
Unit #4  
Mississauga, Ontario  
L5N 2K7  
905-826-8010  
Télécopie 905-826-8236