

REMINGTON®

**TITANIUM
MICROFLEX®**

Use and Care Guide



**Extra
closeness
and comfort
shave after
shave!**

**Models: R-846,
R-950, R-960,
and R-970**

IMPORTANT SAFETY INSTRUCTIONS

When using an electrical appliance, basic precautions should always be observed, including the following. Read all instructions before using this shaver.

DANGER

To reduce the risk of electric shock:

- Do not reach for an appliance that has fallen into water. Unplug it immediately.
- Do not use while bathing or in the shower.
- Do not place or drop into water or other liquid.
- Do not place or store this appliance where it can fall or be pulled into a tub or sink.
- Except when charging, always unplug this appliance from the electrical outlet immediately after using.
- Unplug this appliance before cleaning it.

WARNING

To reduce the risk of burns, fire, electric shock, or injury to persons:

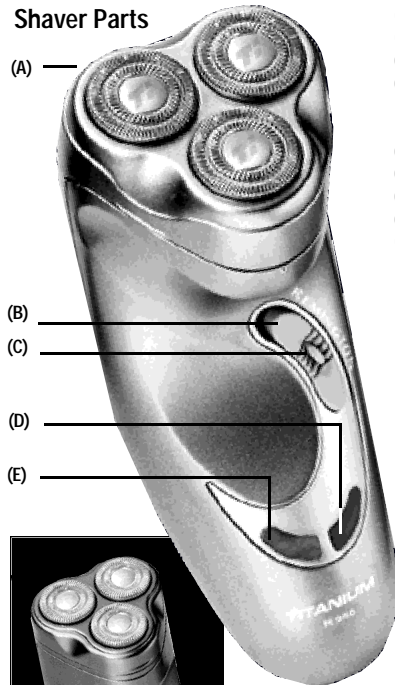
- An appliance should never be left unattended when it's plugged in, except when charging a rechargeable appliance.
- Close supervision is necessary when this appliance is used by, on, or near children or invalids.
- Use this appliance only for its intended use as described in this manual. Do not use attachments not recommended by Remington®.
- Never operate this appliance if it has a damaged cord or plug or if it is not working properly, if it has been dropped or damaged, or if it has been dropped into water. If any of these things happen, return the appliance to a Remington® authorized service center for examination and repair.
- Keep the cord away from heated surfaces.
- Never drop or insert any object into any of the appliance's openings.
- Household use only.

- Do not use outdoors or operate where aerosol (spray) products are being used or where oxygen is being administered.
- Always attach the plug to the appliance, then to outlet. To disconnect, turn all controls to OFF, then remove plug from outlet.
- Always pull on cord plug to unplug from wall socket. Never pull on electric cord.
- Do not plug or unplug this appliance when your hands are wet.
- Do not use an extension cord or a voltage converter with this appliance.
- Do not wrap the cord around the appliance.
- Always store this appliance and cord in a moisture-free area. Do not store it in temperatures exceeding 140°F (60°C).
- Detach removable power cords from appliance for storage.
- Do not use this appliance with a damaged or broken cutter or head, as facial injury may occur.
- **For use on facial hair only.** Should not be used for shaving the hair on your head.

SAVE THESE INSTRUCTIONS

Product Features

Shaver Parts



- (A) Head & cutter assembly
- (B) On/off button
- (C) Locking bar
- (D) Low-battery indicator (red) shows when shaver needs charging (R-960/970 only)
- (E) Green charging indicator
- (F) Trimmer button
- (G) Storage pouch
- (H) Plastic head guard
- (I) Cleaning brush



R-846

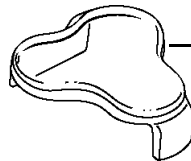
Easy-View® trimmer



(F)



(G)



(H)



(I)

Titanium MicroFlex®

Congratulations on your purchase of a premium Remington® shaver.

The Titanium MicroFlex® is the world's first shaver with Titanium-coated blades. Titanium-coated blades stay sharper longer, resulting in a close, comfortable shave, time after time.

Which Model is Yours?

	Power system	Rinseable	Quick charge	Indicator lights				
				Charging	Low-charge	Complete gauge	LCD display	Worldwide voltage
R-846	Rechargeable			X				X
R-950	Cord/cordless			X				X
R-960	Cord/cordless		X	X	X			X
R-970	Cord/cordless		X	X	X	X		X

Indicator Lights

Charging

The charging indicator is a green light that glows when the shaver is charging or fully charged.



Charge + Low-charge

The low-charge indicator is a red light that glows when the shaver needs recharging. You have approximately 5 minutes of shaving time left when the red indicator first comes on.



Complete battery gauge

The series of lights in the complete battery gauge displays the amount of charge remaining, in 20% increments. When only 20% of the charge remains, the red recharge warning light illuminates.



Quick Charge

Shavers with this feature can fully recharge in 1 hour; 5 minutes provide these shavers with enough charge for a single shave.

Worldwide Voltage

Most of Remington's shavers can be used almost anywhere in the world. These models feature worldwide automatic dual voltage conversion, providing AC current between 100-240 volts AC, 50-60 Hz. Just plug it in to the local outlet (you may need an adapter plug) and use as usual. Your shaver will convert automatically to the local current requirements.



Usage Tips

To Charge

Before using your shaver for the first time, charge it for 24 hours.

- Slide the ON / OFF button to the OFF position.
- Connect the cord to the shaver and then to the electrical outlet. The Charging Indicator light will glow green, indicating your shaver is charging.
- Your shaver cannot be overcharged, so you can leave it plugged in and charging between shaves.
- Use only the supplied cord.
- The R-846 is designed for cordless operation only. Plugging in the cord will not provide the power to shave.

The R-846 and R-950 fully recharge in 16 hours. Quick Charge enables the R-960 and R-970 to fully recharge in 1 hour.

Once fully charged, your shaver will run up to 40 minutes without a cord.

Corded Operation

The R-950/960/970 have a corded operation feature that allows you to run the shaver directly off the cord in cases when batteries are low. Simply connect the cord to the shaver and then to an electrical outlet. Turn the shaver on and proceed to shave.

Note: Your shaver will not recharge during corded operation, so after shaving, turn the shaver off and leave it plugged in so it can be recharged.

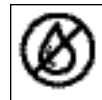
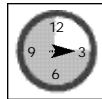
Getting a Close, Comfortable Shave

Remington® shavers need no adjustments to their heads or cutters before you shave. The heads will automatically adjust to the contours of your face. It is not necessary to apply pressure while shaving, just let the shaver glide lightly on your skin. This gentle touch makes shaving easier and helps avoid possible skin irritation.

As with every shaver, your shave will improve over time. So allow about three weeks to develop an effective shaving style and for your beard to adjust to the new shaver. The adaptation period may take a little longer if your skin is sensitive, or if you alternate between shaving methods.

It's simple to get a great shave from your new shaver. Here are a few tips:

- Always use a clean, dry shaver. Make sure that the cutter head assembly is in the locked position.
- Wait at least 15 minutes after getting up before shaving, to ensure your face is free of puffiness that may be present from sleeping.
- Make sure your face is clean and dry before starting.



To shave

- Push the ON/OFF button to activate the shaver for shaving.
- Hold the shaver so all the heads touch your face together. This allows the shaver to work the way it was designed for the closest shave and minimum wear. Avoid holding the shaver at an angle so only one head touches the skin. This could cause skin irritation.
- Use short, circular strokes. Use your free hand to stretch your skin. This encourages your whiskers to stand out, making it easier for them to enter the cutting chamber.
- Never press hard. Pressing only flattens your whiskers, which makes it harder for them to enter the cutting chamber. It will also wear out the cutting surface more quickly.



To trim

To use the Easy-View® pop-up trimmer, simply push the trimmer button up. The trimmer will pop up for ready use. Hold the shaver as shown in the illustration. To conserve battery energy (on rechargeable shavers only), it is recommended to use the trimmer only when needed for trimming. When through using, push the trimmer button downward to lock into the OFF position.



Trim sideburns

Simply touch the edge of the trimmer to the desired line for neat, clean sideburns.



Trim mustache

Hold shaver at desired trim line for a quick, easy, professional trim. The trimmer can also be used to trim the upper edge of your mustache.



! Always keep the protective head guard on the shaver head and keep the trimmer in the OFF position when the shaver is not in use.

For an even better shave...

Remington® Pre-Shave Powder Stick (SP-5) or the Pre-Shave Lotion with Aloe (SP-6) can help maximize your shaver's performance. Just rub either product over your beard. Both absorb moisture and facial oils, helping set up the hairs so they enter the cutting chamber more easily. They make shaving quicker and more comfortable.

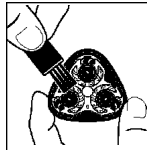
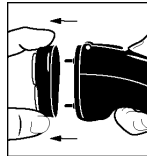
Cleaning and Maintenance

Cleaning Your Shaver

To assure smooth, efficient performance it is important to clean your shaver.

Grip the head assembly by the three ridges and pull it off the shaver. Use the cleaning brush to sweep out the internal part of the head assembly and the hair pocket area, where 3 shaver spindles are located.

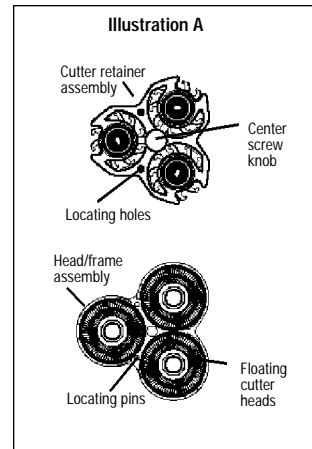
Clean under the cutter assembly at least once a week. Open the shaver head and unscrew the center screw knob to remove the cutter retainer assembly. Then simply brush out the hairs and dust. After cleaning, replace the cutter assembly.



! Important: Make sure to align the two locating holes in the Cutter Retainer assembly with the pins in the Head Frame Assembly. (See illustration A). Then tighten center screw knob to lock the cutters into place.

Replace head assembly on the shaver simply by pushing it onto the shaver.

Cover shaver head with plastic headguard between uses. When removing the headguard or placing it back onto the shaver, do not apply pressure to floating cutter surfaces, as you may damage them.



Your shaver is for dry operation only. It is not waterproof. Do not immerse in water.

Never clean the shaver or replace the cutters while it is plugged into an electrical outlet.

When is it Time to Replace Your Heads and Cutters?

It is very important to replace your heads and cutters when necessary to ensure a close, comfortable shave without irritation. We recommend they be replaced every 12 months. Here are some signs of head and cutter wear, indicating that replacement is needed.

Irritation

As the heads get excessively worn you may experience some skin irritation. This would be especially noticeable when you apply after-shave lotion.

Pulling

When the cutters wear you may feel a sense of pulling and a loss of closeness when you shave. This is an indication that it is time to replace your heads and cutters.

The replacement part for models R-846, R-950, R-960, and R-970 is model #SP-19. U.S. residents: To order, contact us at 800-736-4648, visit us at www.remington-products.com or visit your local retailer.

Canadian residents: For any shaver accessory requirements, please call 800-268-6531 or visit us at www.remington-products.com

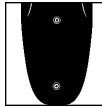
Battery Disposal

Battery Removal

When your rechargeable shaver reaches the end of its useful life, the batteries must be removed from the shaver and be recycled or disposed of properly in accordance with your local and state requirements.

The following procedures should be followed for battery removal:

- Make sure your shaver is unplugged from any outlets, so you don't risk an electrical shock.
- Remove the Head Assembly by gently lifting the assembly away from the shaver.
- Using a small Phillips head screwdriver, remove the screws from the upper and lower back of the shaver.
- Pull or gently pry the shaver halves apart, exposing the battery.
- Hold each battery in place and very carefully slide the clips from the terminals on each battery.
- Lift or pry the battery out of the shaver.



CAUTION: DO NOT PUT IN FIRE OR MUTILATE YOUR BATTERIES WHEN DISPOSING AS THEY MAY BURST OR RELEASE TOXIC MATERIALS. DO NOT SHORT CIRCUIT AS IT MAY CAUSE BURNS. DISPOSE PROPERLY IN ACCORDANCE WITH YOUR LOCAL AND STATE REQUIREMENTS.

The EPA-certified RBRC® Battery Recycling Seal on the nickel-cadmium (Ni-Cd) battery indicates Remington Products Company, L.L.C. is voluntarily participating in an industry program to collect and recycle these batteries at the end of their useful life, when taken out of service in the United States or Canada. The RBRC® program provides a convenient alternative to placing used Ni-Cd batteries into the trash or the municipal waste stream, which may be illegal in your area. Please call 800-8-BATTERYSM for information on Ni-Cd battery recycling and disposal bans/restriction in your area. Remington Products Company, L.L.C.'s involvement in this program is part of our commitment to preserving our environment and conserving our natural resources.



Performance Guarantee

Remington® Money-Back Offer

If within 30 days after you have purchased your Remington® product, you are not satisfied with it and would like a refund, just return it, together with the sales receipt, to the retailer from whom it was purchased. Remington® will reimburse all retailers who accept such appliances within 30 days from date of purchase. If you have any questions regarding this money-back guarantee, please call 800-736-4648 (in the U.S.) or 888-277-6333 in Canada.

Full Two-Year Warranty

Remington® warrants that this product is free from defect in material and workmanship for two years after its original purchase date—except for damage as specified below and these parts meant to be replaced during regular maintenance:

- Rotary heads and cutter assembly

If the product should become defective within the warranty period, Remington® will repair it or elect to replace it free of charge. We will return your product, shipping charges prepaid, if you do the following within two years of the purchase date:

1. Return the complete product in person or by mail, postage paid, to an authorized service dealer.
2. Include the original purchase receipt with the product.
3. Include a description of the problem or defect.
4. Do not return the product to the store that sold it to you.

This warranty does not cover products damaged by the following:

- Accident, misuse, abuse or alteration of it
- Servicing by unauthorized persons
- Use with unauthorized accessories
- Connecting it to incorrect current and voltage
- Any other conditions beyond our control

No responsibility, obligations, or liability is assumed for the installation or maintenance of this product.

REMINGTON SHALL NOT BE RESPONSIBLE FOR ANY INCIDENTAL, SPECIAL OR CONSEQUENTIAL DAMAGES RESULTING FROM THE USE OF THIS PRODUCT. ALL IMPLIED WARRANTIES INCLUDING BUT NOT LIMITED TO IMPLIED WARRANTIES OF FITNESS AND MERCHANTABILITY, ARE LIMITED IN DURATION TO TWO YEARS FROM DATE OF ORIGINAL PURCHASE.

This warranty gives you specific legal rights, and you may also have other rights that vary from state to state. Some states do not allow the exclusion or limitation of incidental or consequential damages, or limitations on how long an implied warranty lasts, so the above limitations and exclusions may not apply to you.

U.S. residents:

To order shaver accessories contact us at 800-736-4648, visit us at www.remington-products.com, or visit your local retailer.

Canadian residents:

To order shaver accessories, please call 800-268-6531 or visit us at www.remington-products.com

Warranty Service

Warranty Service

In the U.S. and Canada, service is provided by authorized service dealers. For the address of your nearest authorized service dealer, contact us at 800-736-4648 (in U.S.), 888-277-6333 (in Canada), visit our website at www.remington-products.com or consult your local Yellow Pages under "Shaver-Electric-Repair." U.S. customers may mail the product, postpaid, with a copy of the sales receipt and a letter explaining the problem, to this address:

Remington Products Company, L.L.C.
60 Main St.
Bridgeport, CT 06604
Attention: Service Department

KEEP ORIGINAL SALES RECEIPT AS PROOF
OF PURCHASE FOR WARRANTY PURPOSES.

Questions or comments:

Call 800-736-4648 in U.S. or
888-277-6333 in Canada.
Or visit www.remington-products.com

Remington, Easy-View, and MicroFlex are
trademarks of Remington Products
Company, L.L.C.

© 2004 R.P.C., L.L.C. Job# S03-140
1/04 Part No. 14341
U.S. Patents: 5,390,146; 5,408,749 and
Patents Pending; Canadian Patents:
D94,221; 2,091,039; 2,114,923; 2,111,626
D100,892 and Patents Pending



Remington Products Company, L.L.C.
In the U.S. call 800-736-4648

MADE IN CHINA

Remington Products Company, L.L.C.
In Canada call 888-277-6333