

**C88**

Professional Vacuum Table

**C81**

Vacuum + Up-Air Table

Instruction Manual



***RELIABLE***

## USER INSTRUCTIONS C88

Thank you for purchasing the Reliable™ C88 vacuum pressing table. Please follow the instructions carefully. With proper care and maintenance, your ironing table will provide years of dependable service.

The C88 is equipped with a powerful and fast vacuum motor. The strong vacuum will give you a clean-crisp finish to your garments, guaranteeing professional results. The fast start up time means you won't be waiting for the motor to rev up to speed.

1. Unfolding: Hold the ironing board in a vertical position with the tip downwards; press the handle (5) placed underneath the board and lift up the working surface by pulling with the foot outwards until the desired height is reached.
2. Unfold the boiler support (3) and place the steam generator on the shelf.
3. Insert the electrical plug into an electrical outlet.
4. Place the pedal (1) near the working area.
5. Push the on/off switch (2) on the "I" position.
6. Wait for a few minutes until the working surface is warmed up.
7. Start ironing.
8. The vacuum function is controlled by the pedal (1)
9. You can use the vacuum function at the same time as you are ironing, or you can use it after the ironing (for very light fabrics this may be the preferred way).
10. At the end of the ironing we suggest you leave the on/off switch (2) on for a few minutes to ensure the inside of the table is dry and free of condensation.
11. Folding: turn the on/off switch (2) off, remove the plug from the outlet. Take the boiler and the iron off of the boiler support (3), fold the boiler support (3), and make sure there is no garment on the working surface and/or on the catch tray (4).
12. As soon as the working surface is cool, position the ironing board vertically with the tip downwards, press the handle (5) placed under the working surface and at the same time pull the legs (6) inward.



## COMPONENTS

- |                   |                          |
|-------------------|--------------------------|
| 1. Pedal          | 5. Handle                |
| 2. On/off switch  | 6. Legs                  |
| 3. Boiler support | 7. Working surface cover |
| 4. Catch tray     | 8. Motor                 |

## MAINTENANCE

We suggest checking the ironing board cover (7) periodically and, if it is necessary, replacing it with an original one (part #C81CR).

## TECHNICAL DATA

Voltage: 120V 60 Hz  
Working power: 650 W

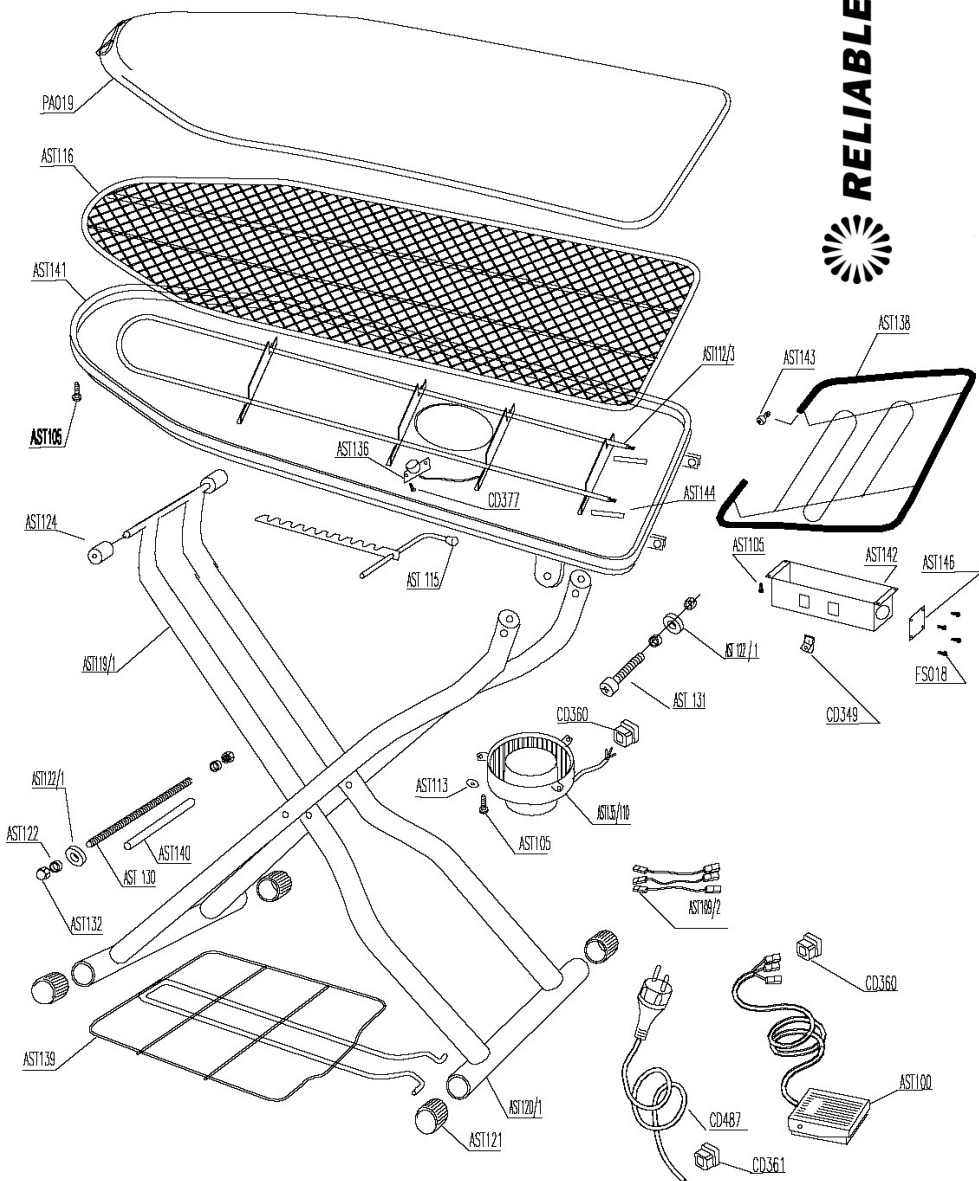
Power of heating element: 600  
Working surface: cm 125



## SPARE PARTS LIST

CODE	DESCRIPTION	Q.TY
AST100	PEDAL PML WITH CORD	1
AST105	SCREW FIXING BOARD NET	19
AST109/2	WIRING	1
AST112/3	HEATING ELEMENT 600 WATT 120V UL	1
AST113	FLAT WASHER	3
AST115	ROD	1
AST116	NET	1
AST119/1	WHITE INTERNA LEG	1
AST120/1	WHITE EXTERNAL LEG	1
AST121	SMALL FOOT	4
AST122	PLASTIC SPACER	2
AST122/1	PLASTIC THIN SPACER	8
AST124	WHITE PLASTIC TUBE	2
AST130	TIE ROD	1
AST131	SCREW FIXING LEGS	2
AST132	SELFBLOCKING NUT	4
AST135/110	MOTOR V115/60	1
AST136	THERMOSTAT WITH SMALL CABLES	1
AST138	BOILER SUPPORT	1
AST139	LINENCARRIER	1
AST140	RUBBER SPACER FOR LEGS	1
AST141	TOP	1
AST142	IRON ELECTRIC BOX	1
AST143	SCREW FIXING BOILER CARRIER	2
AST144	SILICONE TUBE 6X9 X45 FOR ELEMENT	2
AST146	PLAQUE	1
CD349	BIPOLAR SWITCH	1
CD360	FAIRLEAD-BLOCK 6W-1	2
CD361	FAIRLEAD-BLOCK 6N3-4	1
CD377	SELF-THREADING SCREW 3,5X9,5 TC+NCL	2
CD487	POWER CORD 110V 2 FASTON PLUG 16AWG	1
FS018	SCREW BLOCKING TERMINAL BLOCK	4
C88CR	COVER+THICK FLANNEL PAD	1

# PARTS DRAWING



**RELIABLE**

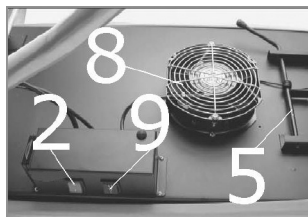


## USER INSTRUCTIONS C81

Thank you for purchasing the Reliable™ C81 vacuum and up-air pressing table. Please follow the instructions carefully. With proper care and maintenance, your ironing table will provide years of dependable service.

The C81 is equipped with a powerful and fast motor with vacuum and up-air. The strong vacuum will give you a clean-crisp finish to your garments, guaranteeing professional results. The up-air (blowing) feature will help eliminate impressions on delicate fabrics.

1. Unfolding: Hold the ironing board in a vertical position with the tip downwards; press the handle (5) placed underneath the board and lift up the working surface by pulling with the foot outwards until the desired height is reached.
2. Unfold the boiler support (3) and place the steam generator on the shelf.
3. Insert the electrical plug into an electrical outlet.
4. Place the pedal (1) near the working area.
5. Push the on/off switch (2) on the "I" position.
6. Wait for a few minutes until the working surface is warmed up.
7. Start ironing.
8. Push the blowing/vacuum switch (10) as follows:
9. I: vacuum function;
10. 0: the pedal stops working;
11. II: blowing function.
12. You can use the vacuum or the blowing function at the same time as you are ironing, or you can use it after ironing (for very light fabrics this may be the preferred way).
13. At the end of ironing we suggest you leave the on/off switch (2) on for a few minutes to ensure the inside of the table is dry and free of condensation.
14. Folding: turn the on/off switch (2) off, remove the plug from the outlet. Take the boiler and the iron off of the boiler support (3), fold the boiler support (3), and make sure there is no garment on the working surface and/or on the catch tray (4).
15. As soon as the working surface is cool, position the ironing board vertically with the tip downwards, press the handle (5) placed under the working surface and at the same time pull the legs (6) inward.



## COMPONENTS

- |                   |                          |
|-------------------|--------------------------|
| 1. Pedal          | 6. Legs                  |
| 2. On/off switch  | 7. Working surface cover |
| 3. Boiler support | 8. Motor                 |
| 4. Catch tray     | 9. Blowing/vacuum switch |
| 5. Handle         |                          |

## MAINTENANCE

We suggest checking the ironing board cover (7) periodically and, if it is necessary, replacing it with an original one (part #C81CR).

## TECHNICAL DATA

Voltage: 120V 60 Hz  
Working power: 650 W

Power of heating element: 600  
Working surface: cm 125



## SPARE PARTS LIST

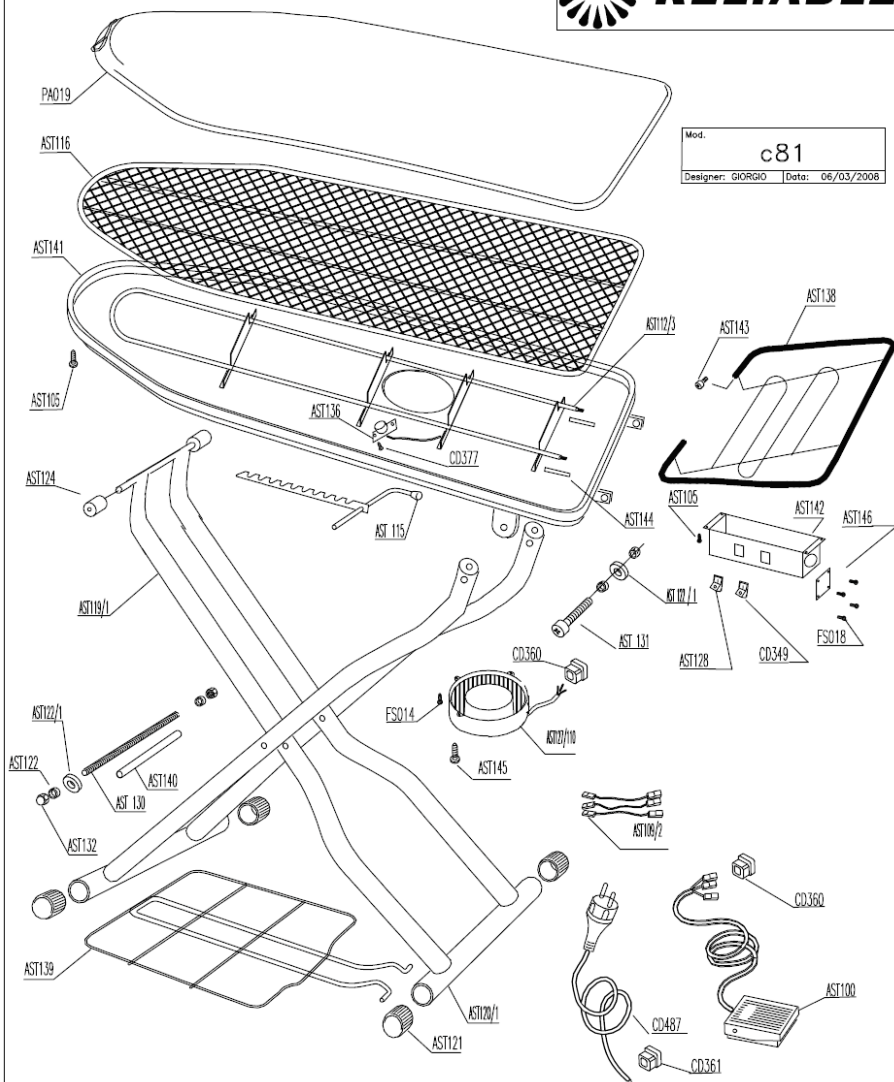
CODE	DESCRIPTION	Q.TY
AST100	PEDAL PML WITH CORD	1
AST105	SCREW FIXING BOARD NET	19
AST109/2	WIRING	1
AST112/3	HEATING ELEMENT 600 WATT 120V UL	1
AST115	ROD	1
AST116	NET	1
AST119	GREY INTERNA LEG	1
AST120	GREY EXTERNAL LEG	1
AST121	SMALL FOOT	4
AST122	PLASTIC SPACER	2
AST122/1	PLASTIC THIN SPACER	8
AST124	WHITE PLASTIC TUBE	2
AST128	SWITCH	1
AST130	TIE ROD	1
AST131	SCREW FIXING LEGS	2
AST132	SELFBLOCKING NUT	4
AST127/110	MOTOR	1
AST136	THERMOSTAT WITH SMALL CABLES	1
AST138	BOILER SHELF	1
AST139	CATCH TRAY	1
AST140	RUBBER SPACER FOR LEGS	1
AST141	TOP	1
AST142	IRON ELECTRIC BOX	1
AST143	SCREW FIXING BOILER CARRIER	2
AST144	SILICONE TUBE 6X9 X45 FOR ELEMENT	2
AST145	SCREW FOR MOTOR FIXING	1
AST146	PLAQUE	1
CD349	BIPOLAR SWITCH	1
CD360	FAIRLEAD-BLOCK 6W-1	2
CD361	FAILEAD-BLOCK 6N3-4	1
CD377	SELF-THREADNG SCREW 3,5X9,5 TC+NCL	2
CD487	POWER CORD 110V 2 FASTON PLUG 16AWG	1
FS014	SCREW FOR BACK HANDLE	1
FS018	SCREW BLOCKING TERMINAL BLOCK	4
C88CR	COVER+THICK FLANNEL PAD	1



# PARTS DRAWING



Mod. **c81**  
Designer: GIORGIO | Data: 06/03/2008



## RELIABLE PRODUCTS WARRANTY



### LIMITED 1 YEAR WARRANTY

For a period of one year from date of purchase we will, free of charge, repair defects in material or workmanship which appear in the mechanical or electrical parts of all Reliable™ brand products excluding all wear and tear components.

Wear and Tear Component List:

- Steam Equipment: Press pad and cover, Teflon® seals, Teflon® shoe, steam-electric hoses
- Sewing Equipment: Hooks, loopers, stitch plates, feed dogs, needles, motor clutch disc, brushes, fuse
- Cloth Cutting Equipment: Blades, stones, sharpening bands, shoe
- Halogen Lights: Bulbs

### LIMITED 90-DAY WARRANTY ON ALL PARTS AND ADJUSTMENTS

For a period of 90 days from date of purchase we will, free of charge, pro-vide required adjustments and repairs to your Reliable™ product.

Warranty service is available by returning the product with this warranty document and proof of purchase to your nearest authorized Reliable™ service center.

This limited warranty is in effect provided that your machine is used for normal purposes for which it was intended, and is given reasonable good care and maintenance in accordance with the instructions contained in the instruction booklet.

Your authorized dealer (or Reliable Corporation) will not be held responsible for damage if the machine has been repaired by an unauthorized dealer.

These warranties give you specific legal rights and you may have other rights, which vary from province/state to province/state.

If you have any questions regarding these warranties, you may write to:

Reliable Corporation  
100 Wingold Avenue, Unit 5  
Toronto, Ontario  
Canada M6B 4K7  
[www.reliablecorporation.com](http://www.reliablecorporation.com)



[www.reliablecorporation.com](http://www.reliablecorporation.com)