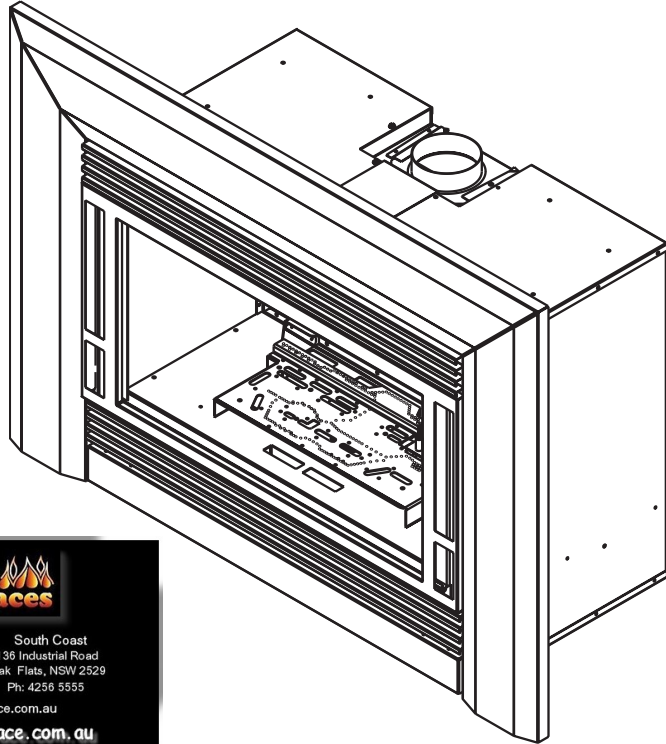


Owners & Installation



IG35 Gas Inbuilt

Models: IG35-NG
IG35-LPG
IG35-ULPG



Manual

Abbey Fireplaces
Sydney: 26 Roger Street, Brookvale, NSW 2100, Ph: 9939 9848
South Coast: 138 Industrial Road, Oak Flats, NSW 2529, Ph: 4250 5555
sales@thefireplace.com.au
www.thefireplace.com.au

PLEASE KEEP THESE INSTRUCTIONS FOR FUTURE REFERENCE

WARNING:

Improper installation, adjustment, alteration, service or maintenance can cause injury or property damage. Refer to this manual. For assistance or additional information consult an authorised installer, service agency or the gas supplier.

FOR YOUR SAFETY

Do not store or use gasoline or other flammable vapours and liquids in the vicinity of this or any other appliance.

Installation and service must be performed by an authorised installer, service agency or the gas supplier.

FOR YOUR SAFETY

What to do if you smell gas:

- Do not try to light any appliance
- Do not touch any electrical switch: do not use any phone in your building.
- Immediately call your gas supplier from a neighbour's phone. Follow the gas supplier's instructions.
- If you cannot reach your gas supplier, call the fire department.

LISTINGS AND CODE APPROVALS

These gas appliances have been tested in accordance with AS4553-2000, NZS 5262 and have been certified by the Australian Gas Association for installation and operation as described in these Installation and Operating Instructions.

Your unit should be serviced annually by an authorised service person.

REGENCY GAS INBUILT FIREPLACE

TO THE NEW OWNER

Congratulations! You are the owner of a state-of-the-art Gas Inbuilt Fireplace by FPI. The Regency Gas Fireplace Series of appliances has been designed to provide you with all the warmth and charm of a fireplace, at the flick of a switch. The model IG35 of this series has been approved by Australian Gas Association for both safety and efficiency. As it also bears our own mark, it promises to provide you with economy, comfort and security for many trouble free years to follow. Please take a moment now to acquaint yourself with these instructions and the many features of your Regency Fireplace.

UNIT DIMENSIONS

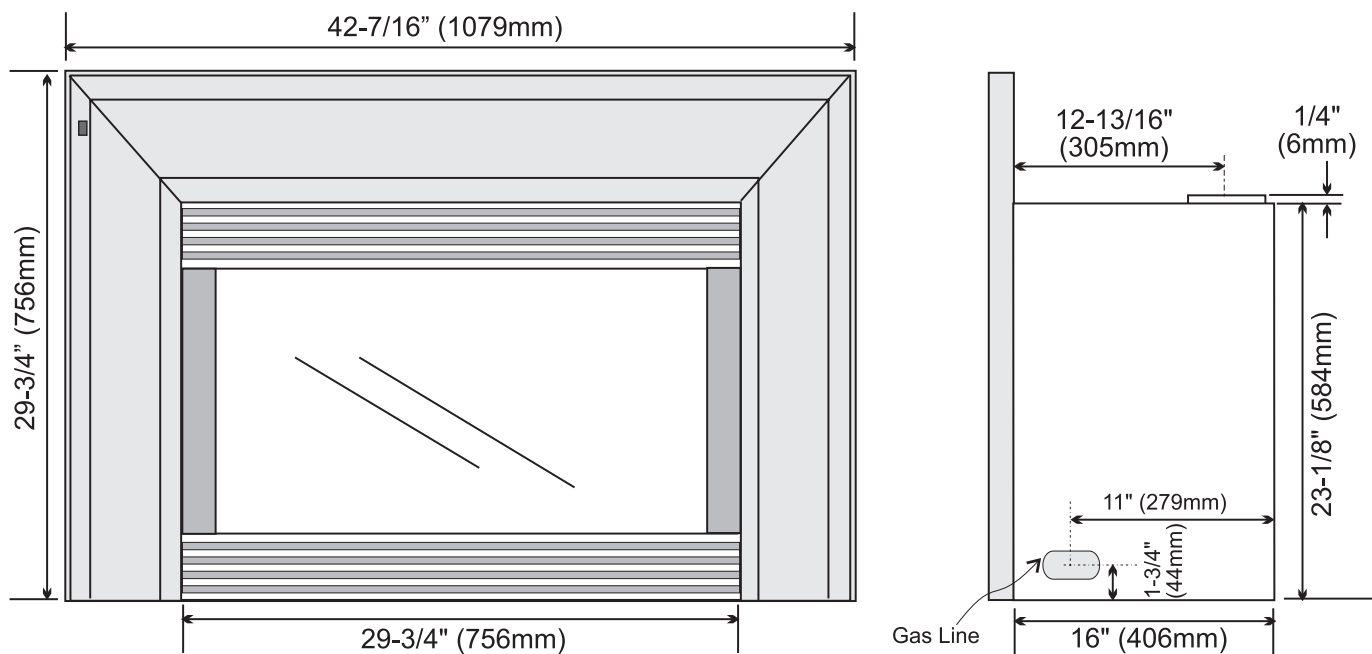


TABLE OF CONTENTS

REGENCY GAS FIREPLACE INSERT

DATA BADGE

Data Badge.....	5
-----------------	---

INSTALLATION

Important Message.....	5
For Your Safety.....	5
Before You Start	5
Installation Checklist.....	5
Materials Required	5
Minimum Fireplace Dimensions	6
Minimum Clearances to Combustibles	6
Gas Connection	6
Flueing.....	7
Gas Pipe Pressure Testing.....	7
Aeration Settings	8
Test For Flue Spillage.....	8
Optional Brick Panel.....	8
Conversion Kit #486-968 for NG to LPG	9
Conversion Kit #486-967 for NG to ULPG.....	11
Log Set Installation	13
Faceplate, Trim & Louver Installation	15
Premium Flush Front Installation.....	16
Remote Control	21
Final Check.....	21
Standard Wiring.....	21
Wiring with Premium Flush Front Option.....	22

OPERATING INSTRUCTIONS

Operating Instructions	23
Lighting Instructions.....	23
Shutdown Instructions	23
First Fire	23
Fan Operation.....	23
Summary Of Controls	23
Copy of Lighting Instruction Plate.....	24
Normal Operating Sounds of Gas Appliances.....	24

MAINTENANCE

Door Glass	25
Replacement	25
Glass Gasket.....	25
Fan Maintenance.....	26
Removing	27
Valve Tray.....	27

PARTS LIST

Electronic Components Parts List	28
Main Assembly	29
Burner Assembly & Log Set.....	29
Faceplate Assembly	30
Premium Flush Front Assembly.....	30

WARRANTY

Warranty	31
----------------	----

DATA BADGE

This is a copy of the label that accompanies each Regency IG35 Gas Inbuilt fireplace. We have printed a copy of the contents here for your review.

DATA BADGE NOTE: Regency units are constantly being improved. Check the label on the unit and if there is a difference, the label on the unit is the correct one.

Regency Gas Fireplace

Model	<input type="radio"/>	<input type="radio"/>	<input type="radio"/>
Gas Type	NG	LPG	ULPG
Model	IG35-NG	IG35-LPG	IG35-ULPG
Gas Consumption	33.5mj.	34mj.	28mj.
Manifold Pressure	0.87 kPa	2.61 kPa	2.61 kPa
Injector Size	1x#33	1x#51	1x#53
AGA Approval number to Code AS4553-2000	2.87mm 6904	1.70mm 6904	1.51mm 6904

Distributed by:

Western Australia:

Australian Heating Distributors Pty. Ltd.
31 Clune St.
Bayswater, WA, 6053

Eastern Australia:

Fireplace Products Australia Pty. Ltd.
21-23 South Link Blvd.
Dandenong, VIC 3175

To be installed by an authorised person in accordance with installation instructions provided with the appliance.

Electrical: 240VAC 50Hz 1.0 amp max.

 **N2134**

Serial Number 288

918-449a



- DO NOT** OPERATE THIS APPLIANCE BEFORE READING THE INSTRUCTIONS BOOKLET.
- DO NOT** PLACE ARTICLES ON OR AGAINST THIS APPLIANCE
- DO NOT** STORE CHEMICALS OR FLAMMABLE MATERIALS, OR SPRAY AEROSOLS NEAR THIS APPLIANCE.
- DO NOT** OPERATE WITH PANELS, COVERS OR GUARDS REMOVED FROM THIS APPLIANCE.
- DO NOT** ENCLOSE THIS APPLIANCE.

908-602



THE GUARD IS FITTED TO THIS APPLIANCE TO REDUCE THE RISK OR FIRE OR INJURY FROM BURNS AND NO PART OF IT SHOULD BE PERMANENTLY REMOVED.

(Australia Only)

FOR PROTECTION OF YOUNG CHILDREN OR THE INFIRM, A SECONDARY GUARD IS REQUIRED.

IMPORTANT MESSAGE

The Regency Gas Fireplace must be installed in accordance with these instructions. Carefully read all the instructions in this manual first.

Note: Failure to follow these instructions could cause a malfunction of the heater which could result in death, serious bodily injury, and/or property damage. Failure to follow these instructions may also void your fire insurance and/or warranty.

FOR YOUR SAFETY

This appliance requires air for proper combustion. Always provide adequate combustion and ventilation air. Follow instructions and information in the current AS5601-2004, NZS 5261 or local codes. Consult the "authority having jurisdiction" to determine the need for a permit prior to starting the installation.

MATERIALS REQUIRED

A 240 Volt AC power cord is hooked up to the unit. Plug 3 wire cord into a suitable receptacle. Do not cut the ground terminal off under any circumstances.

When connected with 240 volts, the appliance must be electrically grounded in accordance with local codes.

This unit is polarity sensitive and will not operate if polarity is incorrect.

BEFORE YOU START

Installation is to be carried out **ONLY** by an authorised person.

- 1) The appliance shall be installed in accordance with the manufacturer's installation instructions, local gas fitting regulations, municipal building codes, water supply regulations, electrical wiring regulations, with AS5601-2004. (AGA gas installation code) NZS 5261 (New Zealand)
- 2) **Installation and repair should be done ONLY by an authorised person.**
- 3) The appliance should be inspected before use and at least annually by an authorised service person. More frequent cleaning may be required due to excessive lint from carpeting, bedding material, etc. It is imperative that control compartments, burners and circulating air passageways of the appliance be kept clean and free from excessive lint from carpeting.
- 4) See general construction and assembly instructions. This appliance may only be installed in a flued, non-combustible fireplace. The appliance and flue should be enclosed when installed or passing through a living area, where children may come in contact with it.

This appliance can also be installed into the approved Zero Clearance Kit #486-900 in a combustible situation.
- 5) Always connect this space heater to a chimney and flue to the outside of the building envelope. Never flue to another room. Make sure that the flue is properly sized and is of adequate height to provide the proper draft.
- 6) Inspect the flueing system annually for blockage and any signs of deterioration.
- 7) Any safety glass removed for servicing must be replaced prior to operating the appliance.
- 8) To prevent injury, do not allow anyone who is unfamiliar with the operation to use the fireplace.
- 9) Installer must mechanically attach the supplied label to the inside of the firebox of the fireplace into which the gas fireplace insert is installed.

"WARNING: This fireplace has been converted for use with a gas fireplace insert only and cannot be used for burning wood or solid fuels unless all original parts have been replaced, and the fireplace re-approved by the authority having jurisdiction."

INSTALLATION CHECKLIST

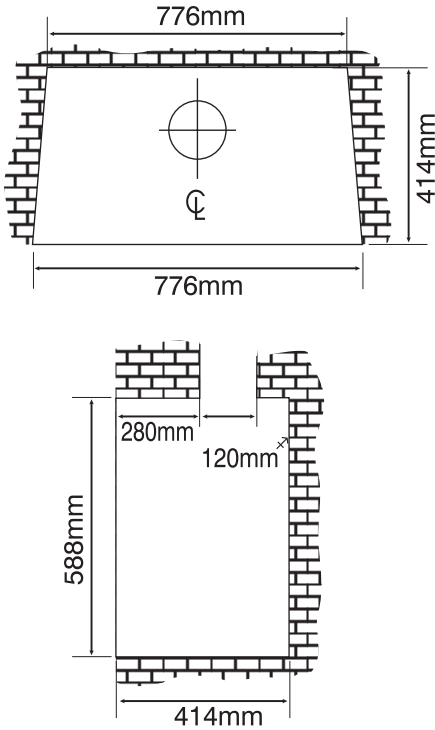
The Regency Gas Insert is installed as listed below.

- 1) Unit Location - refer to "Clearances to Combustibles" section.
- 2) Make the gas connections. Refer to "Gas Connections" section.
- 3) Install the flue or liner to the flue collar. Refer to "Flueing" section.
- 4) Slide the unit into the fireplace.
- 5) Test gas pressure, refer to "Gas Pipe Pressure Testing" section. Check aeration, refer to "Aeration Settings" section.
- 6) Test for flue spillage, refer to "Test for Flue Spillage" section.
- 7) Install the optional brick panels. Refer to "Optional Brick Panels" section.
- 8) Install the log set. Refer to "Log Set installation" section.
- 9) Assemble and install the faceplate and trim and louvres. Refer to "Faceplate, Trim & Louvre" section.
- 10) Optional Premium Flush Front installation. Refer to "Premium Flush Front Installation" section.
- 11) **Final check:** Before leaving this unit with the customer, the installer must ensure that the appliance is firing correctly. This includes:
 - a) Clocking the appliance to ensure the correct firing rate.
 - b) Adjusting the primary air, if required, to ensure that the flame does not carbon.
 - c) Ensuring that the appliance is flueing correctly. Refer to "Test for Flue Spillage" section.

INSTALLATION

MINIMUM FIREPLACE DIMENSIONS

The minimum fireplace dimensions for the Regency gas space heater are shown in the following diagrams:



MINIMUM CLEARANCES TO COMBUSTIBLES

The minimum fireplace clearances for the Regency gas space heater are shown in the following diagrams:

From Unit:
Sides A 250 mm
Ceiling B 1220 mm
Mantel C see Mantel Clearances

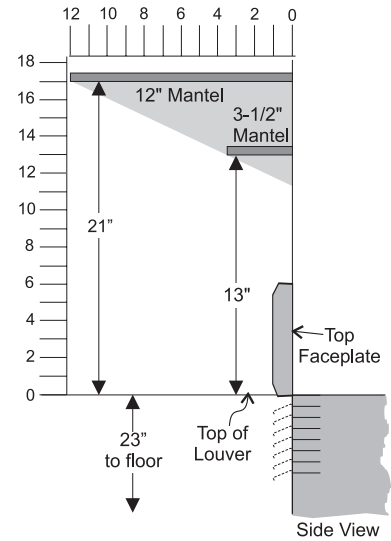
From Surround (660 mm x 1016 mm):
Sides D 96 mm
Ceiling E 1066 mm

Max. Mantle Depth G 305 mm
Hearth Height H 0 mm
Hearth Depth I 300 mm*
Hearth Width J 1100 mm

Min. Alcove Width K 1262 mm
Max. Alcove Depth L 915 mm

* **NOTE:** No hearth required with screen. Floor finishing material must not be any higher than the base of the fireplace.

Mantel Clearances

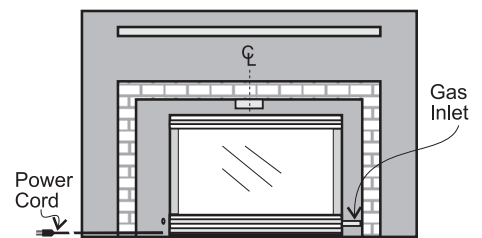


Note: A non-combustible mantel may be installed at a lower height if the framing is made of metal studs covered with a non-combustible board.

GAS CONNECTION

GAS CONNECTION WARNING:
Only persons licensed to work with gas piping may make the necessary gas connections to this appliance.

- 1) If the appliance is to be installed into an existing chimney system or Zero Clearance Box, thoroughly clean the masonry or factory built fireplace.
- 2) The gas connection is 1/2" BSP.

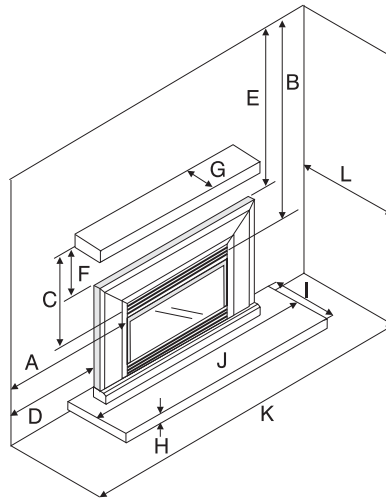
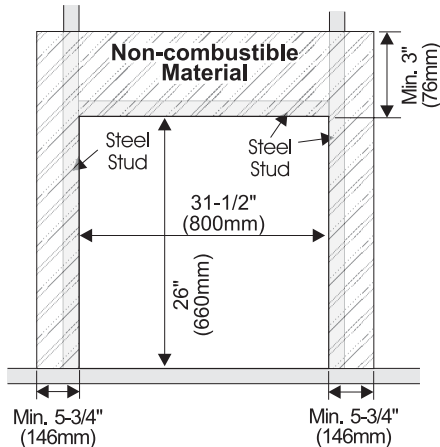


- 3) Locate the center point where the flue will pass through the chimney above the appliance. Move the appliance into the exact location where it is to be installed. Ensure that the Insert is level.

CAUTION: If the glass is removed for servicing, it must be replaced and closed prior to operating the appliance.

Premium Flush Front Framing

When installing the Premium Flush Front, the walls surrounding the zero clearance kit must be made of non-combustible material. See Diagram below.



FLUEING

THE APPLIANCE MUST NOT BE CONNECTED TO A CHIMNEY FLUE SERVING A SEPARATE SOLID FUEL BURNING APPLIANCE.

This appliance is designed to attach to a 100 mm diameter twin skin or listed gas fuel type flue liner running the full length of the chimney. A minimum flue height of 1.5 m. is recommended. The Regency Inbuilt Fireplace incorporates its own internal draft diverter, so no additional external draft diverter is required.

Periodically check that the flue is unrestricted and an adequate draft is present when the unit is in operation.

Before installing flue system ensure that the damper plate is open and secure to prevent the damper plate from falling down and crushing the liner.

Install to AS5601-2004,(Australia) NZS 5261 (New Zealand).

Combustion and Ventilation Air

WARNING: This appliance needs fresh air for safe operation and must be installed with provisions for adequate combustion and ventilation air available to the room in which it is to be operating.

Air for combustion is drawn in through the front of the unit, therefore, the front of the unit must be kept clear of any obstructions.

GAS PIPE PRESSURE TESTING

The appliance must be isolated from the gas supply piping system by closing its individual manual shut-off valve during any pressure testing of the gas supply piping system at test pressures equal to or less than 1/2 psig. (3.45 kPa). Disconnect piping from valve at pressures over 3.45 kPa (14" w.c.).

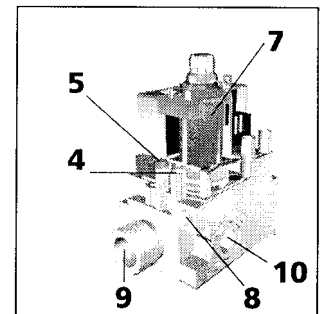
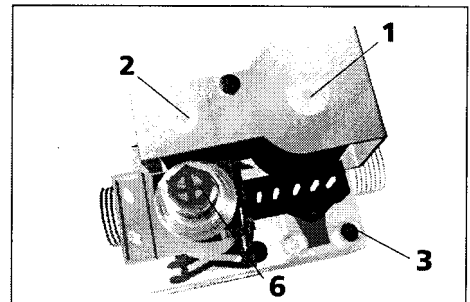
The manifold pressure is controlled by a regulator built into the gas control, and should be checked at the pressure test point.

Note: To properly check gas pressure, both inlet and manifold pressures should be checked using the valve pressure ports on the valve.

- 1) Make sure the valve is in the "OFF" position.
- 2) Loosen the "IN" (# 3) and/or "OUT" (# 4) pressure tap(s), turning counterclockwise with a 1/8" wide flat screwdriver.
- 3) Attach manometer to "IN" and/or "OUT" pressure tap(s) using a 5/16" (8mm) ID hose.
- 4) Seal and or check the pilot outlet (# 8)
- 5) The pressure check should be carried out with the unit burning and the setting should be within the limits specified on the safety label.
- 6) When finished reading manometer, turn off the gas valve, disconnect the hose and tighten the screw (clockwise) with a 1/8" flat screwdriver. *Screw should be snug, but do not over tighten.*

S.I.T. Valve Description

- 1) On-Off Solenoid Valve EV1
- 2) On-Off Solenoid Valve EV2
- 3) Inlet Pressure Test Point
- 4) Outlet Pressure Test Point
- 5) Connection for Pressure Regulator/ Combustion Chamber Compensation
- 6) Pressure Regulator for Minimum and Maximum Outlet Pressure
- 7) Gas Outlet Pressure Electric Modulator
- 8) Pilot Outlet
- 9) Main Gas Outlet
- 10) Side Outlet



INSTALLATION

System Data IG35	
IG35-NG: For 0 to 610 meters altitude IG35-LPG: For 0 to 610 meters altitude IG35-ULPG: For 0 to 610 meters altitude	
Burner Inlet Orifice Sizes:	
Burner	NG #33 LPG #51 ULPG #53
Max. Input	
NG	33.5 mj
LPG	34 mj
ULPG	28 mj
Min. Input	
NG	19.6 mj
LPG	18.5 mj
ULPG	14 mj
Supply Pressure	
NG	1.13 kPa
LPG	2.75 kPa
ULPG	2.75 kPa
Manifold Pressure	
NG	0.87 kPa
LPG	2.61 kPa
ULPG	2.61 kPa
Electrical: 240 V. 50Hz. Circulation: High/Off/LO speed fan, 150/89 CFM. Log Set: Ceramic fiber, 7 per set.	
Aeration Setting	
NG	15mm fully open
LPG	15mm fully open
ULPG	15mm fully open

TEST FOR FLUE SPILLAGE

A "spillage" test must be made before the installed unit is left with the customer. Follow the procedure below:

- 1) Start all exhaust fans in the home and then close all external doors and windows in the house.
- 2) Light the unit and set controls to maximum. Turn fan off.
- 3) After five minutes, test that there is a "pull" on the flue by placing a smoke match, cigarette or similar device which gives off smoke, in both sides of the unit. See diagram 1.

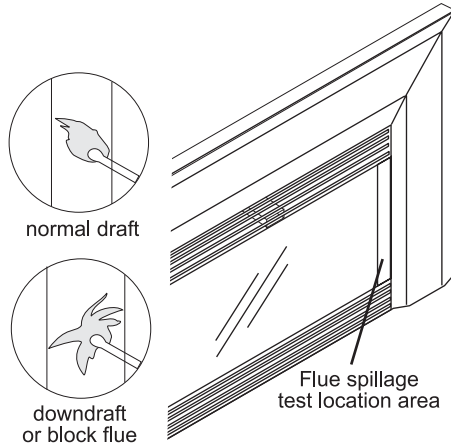


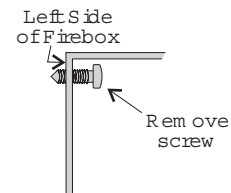
Diagram 1

The smoke should be drawn into the unit. If the smoke is still not drawn into the spill tube, turn the unit off and check for the cause of the lack of draft. If necessary, rectify.

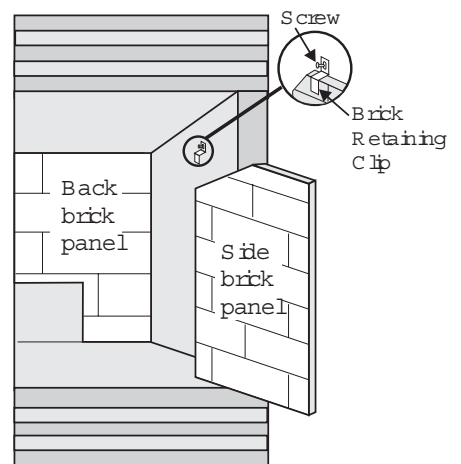
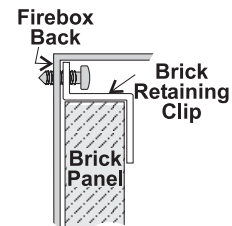
For wind turbulent sites, a wind cap may remedy the problem. These caps are not included with the standard flue kit and will need to be purchased separately.

OPTIONAL BRICK PANEL

- 1) Unwrap the brick panels from the protective wrapping.
- 2) Remove the glass front and log set if already installed.
- 3) Place the rear brick panel flat against the back of the unit, by carefully slipping it between the back wall of the firebox and the rear log tray.
- 4) Remove the screw on the inside top left and right side of the firebox.



- 5) Slide the left and right side brick panels in place and secure using the brick retaining clips provided and the screws removed in step 4 as shown in the diagram below.



AERATION SETTINGS

The burner aeration is factory set but may need adjusting due to either the local gas supply, air supply or altitude. This adjustment is performed by the installer. (Close the aeration for a more yellow flame, or open it to make the flame bluer).

NG:	15mm fully open
LPG:	15mm fully open
ULPG:	15mm fully open

Note: Any damage due to carboning resulting from improperly setting the aeration controls is NOT covered under warranty.

Conversion Kit #486-968 for NG to LPG Model

THIS CONVERSION MUST BE DONE BY A QUALIFIED GAS FITTER IF IN DOUBT DO NOT DO THIS CONVERSION !!

Conversion Kit 486-968 Contains:

Qty.	Part #	Description
1	904-645	Burner Orifice #51
1	908-528	Red "LPG" label
1	918-590	Label "Converted to LPG"
1	918-541	Instruction Sheet

- 1) Shut off the gas supply and unplug the power cord.
- 2) Remove the front door.
- 3) Remove logs.
- 4) Remove the rear log tray by removing the 2 screws. (Log tray must be rotated to clear the burner.)



- 5) Remove the grate.
- 6) Remove the burner and adjust the aeration setting to 15 mm fully open.



- 7) Remove burner orifice with a 1/2" wrench and discard. Use a wrench to hold on to the elbow behind the orifice.
- 8) Reinstall new burner orifice LPG stamped #51 and tighten.
- 9) Stick the conversion label "This unit has been converted to LPG" over top of the serial number decal.
- 10) Replace the yellow "NG" label with the red "LPG" label.
- 11) Carefully pull out the control box.

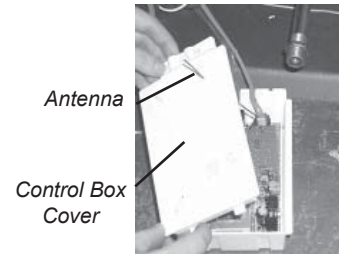
NOTE: The control box is held in place with velcro.

- 12) Remove the heat shield from the control box by removing the 2 screws.



Heat Shield

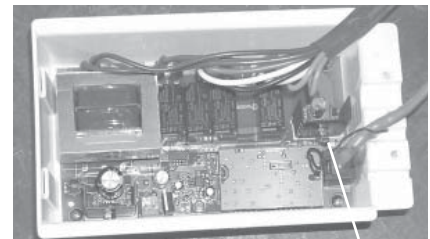
- 13) Remove the control box cover by undoing the 3 screws. Maneuver through antenna.



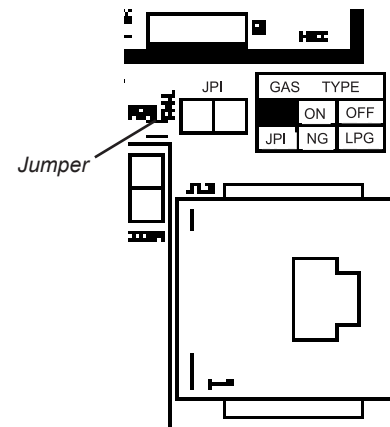
Antenna

Control Box Cover

- 14) Remove the jumper using a plier.



Jumper Location



- 15) Reverse steps 13, 12, 11, 6, 5, 4, 3 & 2.

INSTALLATION

16) Turn on gas supply and plug in power cord.

17) **Adjusting the Outlet Pressure**

All the adjustments must be carried out in the following order:

Remove the modulator plastic cap (A) using needle nose pliers.

Maximum pressure: Turn the unit ON to its highest input rating. Screw in the nut (B) to increase the outlet pressure and screw it out to decrease it. Use a 10 mm wrench.

NOTE: The outlet pressure must be set to maximum 2.61 kPa.

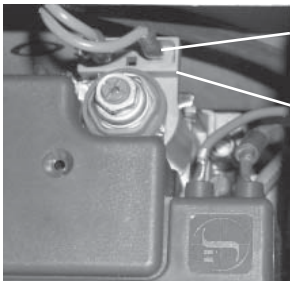
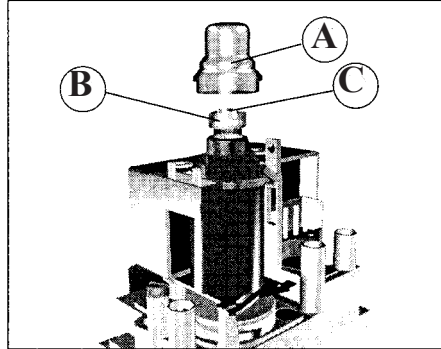
Minimum pressure: Remove one of the cables connected to the electric modulator. While holding the nut (B) with a wrench, screw in the screw (C) to increase the pressure and screw it out to decrease it. Use a screwdriver 6 x 1 blade.

NOTE: The outlet pressure must be set to minimum 0.75 kPa.

After carrying out all adjustments, block the setting screws with paint, taking care not to obstruct the breather orifice of the pressure.

Put back the modulator plastic cap.

WARNING: To ensure the correct operation of the modulator it is necessary that the plastic cap (A) is returned to its original location.



18) At the end of all setting and adjustment operations, check electrical installation and gas leaks.

19) Check operation of flame control.

20) Check for proper flame appearance and glow on logs.

Installer Notice:
These instructions must be left with the appliance.

Conversion Kit #486-967 for NG to ULPG

THIS CONVERSION MUST BE DONE BY A QUALIFIED GAS FITTER IF IN DOUBT DO NOT DO THIS CONVERSION !!

Conversion Kit 486-967 Contains:

Qty.	Part #	Description
1	904-345	Burner Orifice #53
1	918-273	Red "ULPG" label
1	918-272	Label "Converted to ULPG"
1	918-542	Instruction Sheet

- 1) Shut off the gas supply and unplug the power cord.
- 2) Remove the front door.
- 3) Remove logs.
- 4) Remove the rear log tray by removing the 2 screws. (Log tray must be rotated to clear the burner.)



- 5) Remove the grate.
- 6) Remove the burner and adjust the aeration setting to 15 mm fully open.



- 7) Remove burner orifice with a 1/2" wrench and discard. Use a wrench to hold on to the elbow behind the orifice.
- 8) Reinstall new burner orifice ULPG stamped #53 and tighten.
- 9) Stick the conversion label "This unit has been converted to ULPG" over top of the serial number decal.
- 10) Replace the yellow "NG" label with the red "ULPG" label.
- 11) Carefully pull out the control box.

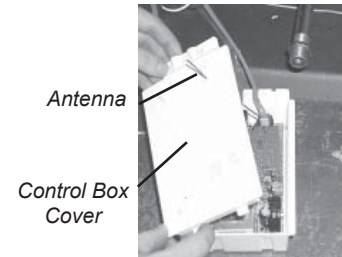
NOTE: The control box is held in place with velcro.

- 12) Remove the heat shield from the control box by removing the 2 screws.

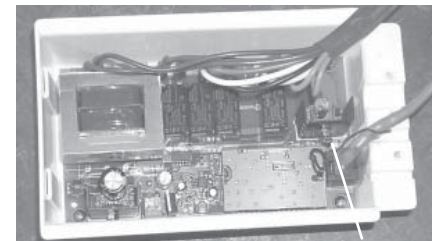


Heat Shield

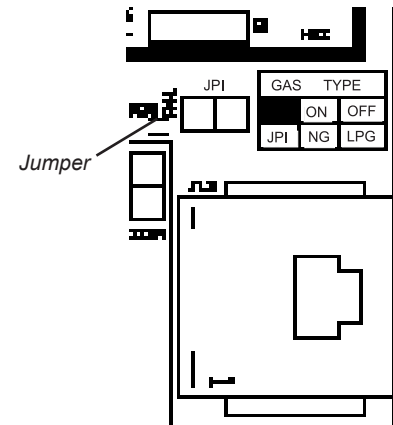
- 13) Remove the control box cover by undoing the 3 screws. Maneuver through antenna.



- 14) Remove the jumper using a plier.



Jumper Location



- 15) Reverse steps 13, 12, 11, 6, 5, 4, 3 & 2.

INSTALLATION

16) Turn on gas supply and plug in power cord.

17) Adjusting the Outlet Pressure

All the adjustments must be carried out in the following order:

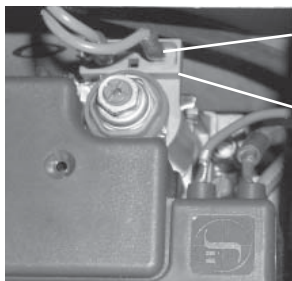
Remove the modulator plastic cap (A) using needle nose pliers.

Maximum pressure: Turn the unit ON to its highest input rating. Screw in the nut (B) to increase the outlet pressure and screw it out to decrease it. Use a 10 mm wrench.

NOTE: The outlet pressure must be set to maximum 2.61 kPa.

Minimum pressure: Remove one of the cables connected to the electric modulator. While holding the nut (B) with a wrench, screw in the screw (C) to increase the pressure and screw it out to decrease it. Use a screwdriver 6 x 1 blade.

NOTE: The outlet pressure must be set to minimum 0.75 kPa.

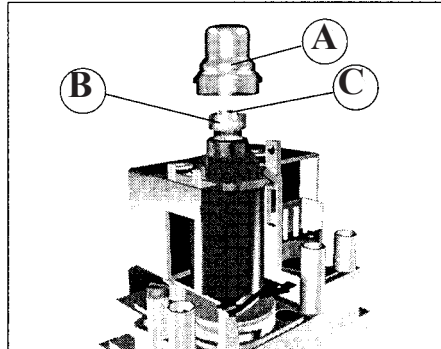


Cable
Electric Modulator

After carrying out all adjustments, block the setting screws with paint, taking care not to obstruct the breather orifice of the pressure.

Put back the modulator plastic cap.

WARNING: To ensure the correct operation of the modulator it is necessary that the plastic cap (A) is returned to its original location.



18) At the end of all setting and adjustment operations, check electrical installation and gas leaks.

19) Check operation of flame control.

20) Check for proper flame appearance and glow on logs.

Installer Notice:
These instructions must be left with the appliance.

LOG SET INSTALLATION

Read the instructions below carefully and refer to the diagrams. If logs are broken do not use the unit until they are replaced.

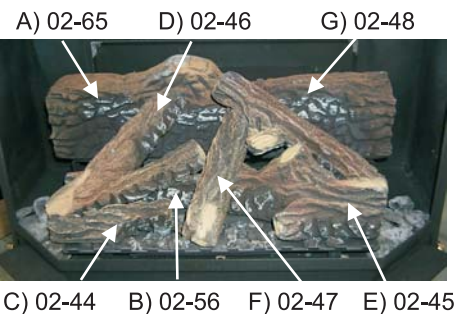
Log kit #730-935 contains the following:

- a) 02-65 Rear Log
- b) 02-56 Middle Left Log
- c) 02-44 Front Left Log
- d) 02-46 Left Top Log
- e) 02-45 Front Right Log
- f) 02-47 Center Log
- g) 02-48 Middle Right Log
- h) Embers 902-151
- i) Lava 902-154

Log kit #486-930 contains the following:

- a) 02-50 Side Log
- b) 02-52 Side Log
- c) Embers 902-151
- d) Lava 902-154

The "02" refer numbers (i.e. 02-65) are molded into the rear of each log.



Installation of Kit 730-935:

- 1) Carefully remove the logs from the box and unwrap them. The logs are fragile, handle with care - **do not force into position.**
- 2) Sprinkle the embers on the front, left and right sides of the firebox base.



Embers

Embers

- 3) Place Rear Log A)02-65 on the two pins on the rear log support.



- 4) Place the Middle Left Log B)02-56 on the two pins from the rear left side.



- 5) Place lava rock in front of middle left log as shown in the picture.



- 6) Place Front Left Log C)02-44 onto the 2 front pins as shown.



- 7) Place the Left Top Log D)02-46 on the pin on Log B)02-56 and on top of the cutout on Log A)02-65.



- 8) Place Front Right Log E)02-45 on the two pins as shown.



- 9) Place the lava rock in the area between the left and right logs, leaving a space in the middle for log (F) 02-47.

Ensure that the lava rocks are **not placed directly** over the burner ports.



Lava Rock

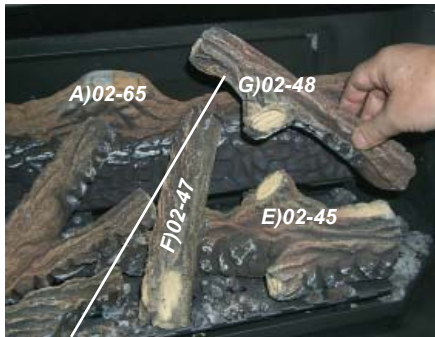
INSTALLATION

- 10) Place the notch in Center Log F)02-47 over Log E)02-45 and across the cutout on Log A)02-65.

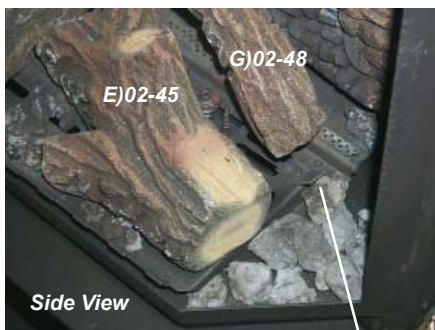


Notch Cutout

- 11) Position notch in Front Right Log G)02-48 on Log F)02-47 and push the bottom right edge against the bracket on the burner tray.



Notch



Side View

Bracket

The bottom right edge of Log G)02-48 must sit snugly against the bracket

- 12) Test fire to ensure proper light off. Ensure flame flows smoothly from one end of the burner to the other. If there is any flame hesitation, check the area for any blockage of the burner port.

Installation of Kit 486-930:

- 1) Carefully remove the logs from the box and unwrap them. The logs are fragile, handle with care - **do not force into position.**
- 2) Sprinkle the embers on the front, left and right sides of the firebox base.
- 3) Place Side Log 02-50 on the right side of the grate on the firebox base.

Position log as desired ensuring the log **DOES NOT** interfere with the flame. Possible positioning shown in diagrams below.



Example 1



Example 2



Example 3

- 4) Place Side Log 02-52 on the left side of the grate on the firebox base.

Position log as desired ensuring the log **DOES NOT** interfere with flame. Possible positioning shown in diagrams below.



Example 1



Example 2

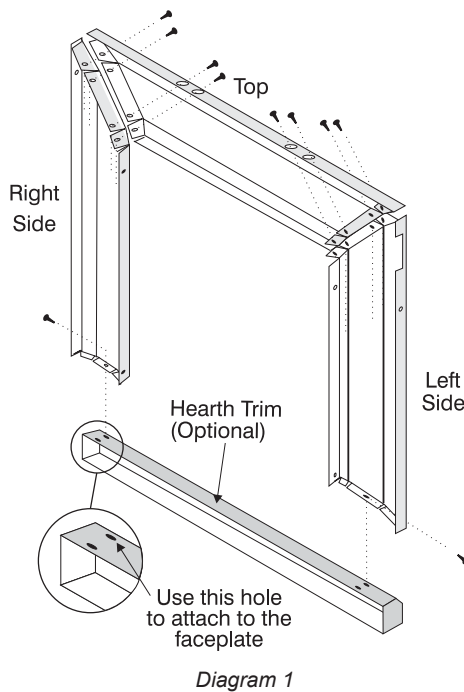


Example 3

- 5) Test fire to ensure proper light off. Ensure flame flows smoothly from one end of the burner to the other. If there is any flame hesitation, check the area for any blockage of the burner port.

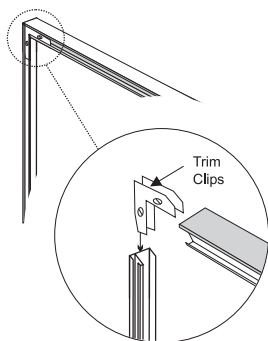
FACEPLATE, TRIM & LOUVER INSTALLATION

- 1) Lay the faceplate panels flat, face down on something soft so they don't scratch.
- 2) Take the top faceplate and align the holes in it with the holes in the side panels. Using the screws provided, attach from the top of the panel (the holes in the top panel are slightly larger than the holes in the side panel to facilitate easier installation).

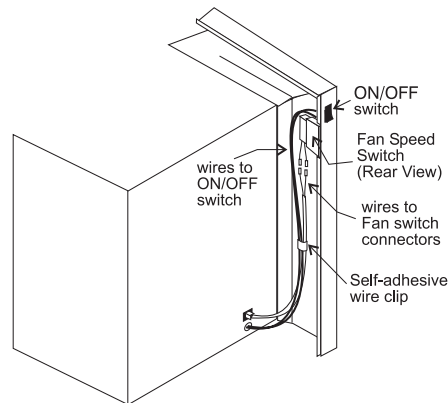


Hint: Don't tighten the trim to the bottom of the faceplate side panels with the screws provided. See diagram 1.

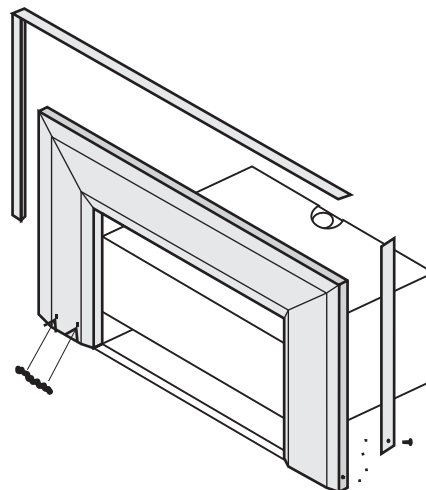
- 3) Using the connectors provided, join the left side trim to the top trim. Connect the right side trim to the top trim.



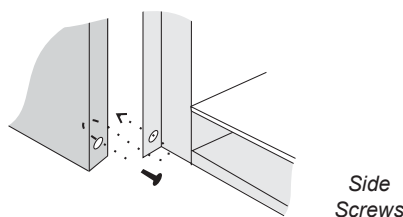
- 4) Connect the fan harness to the fan switch.
- 5) Connect the valve harness to the valve on/off switch.
- 6) Tuck the wires into the faceplate to keep them away from the inbuilt fireplace using the clip provided. Attach the clip to the rear of the faceplate to ensure that the wires do not touch the side of the unit.



- 7) The power cord should be run behind the faceplate panel.
- 8) Place the trim on the assembled faceplate panels and secure it with the side screws.



- 9) Attach the faceplate panels* to the inbuilt fireplace body using 4 black screws.



- 10) Push the Regency logo plate into the two holes in the bottom left corner of the faceplate.
- 11) Place the 2 hinges for the bottom louver in position and secure using 4 screws per hinge.



- 12) Place the bottom louver in position and secure it with 6 screws.



- 13) Install the safety screen by inserting the 4 screen brackets into the 4 slots.



- 14) Install the top louver by sliding the 2 bracket clips into the brackets located on top of the unit.



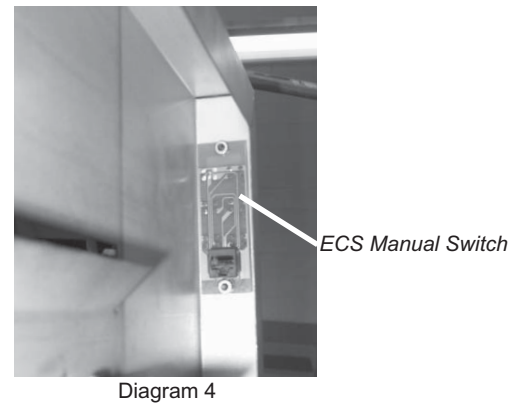
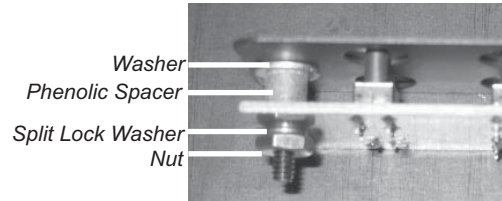
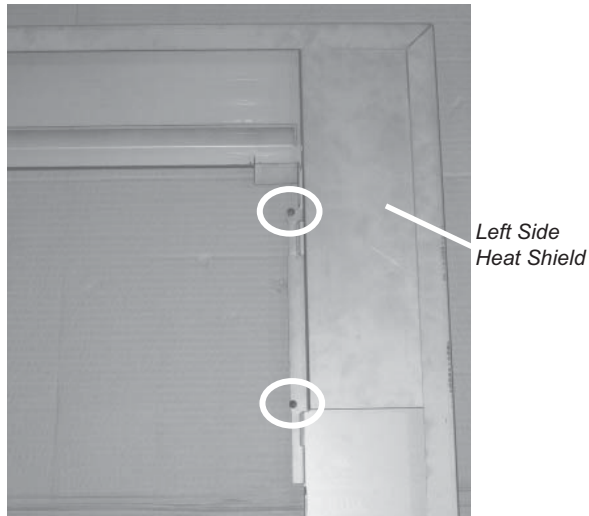
INSTALLATION

PREMIUM FLUSH FRONT INSTALLATION

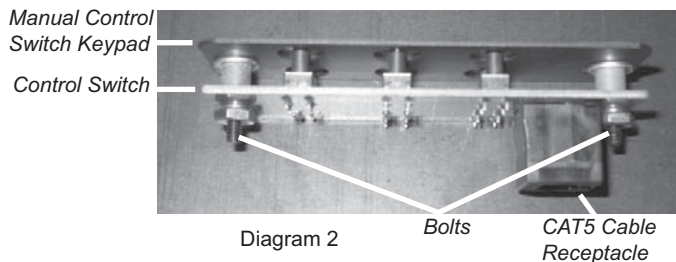
- 1) Unplug the power source.
- 2) Remove the glass door.

ECS Manual Control Switch Installation:

- 3) Remove the heat shield from the left side of the faceplate by undoing the 2 screws. See diagram 1.

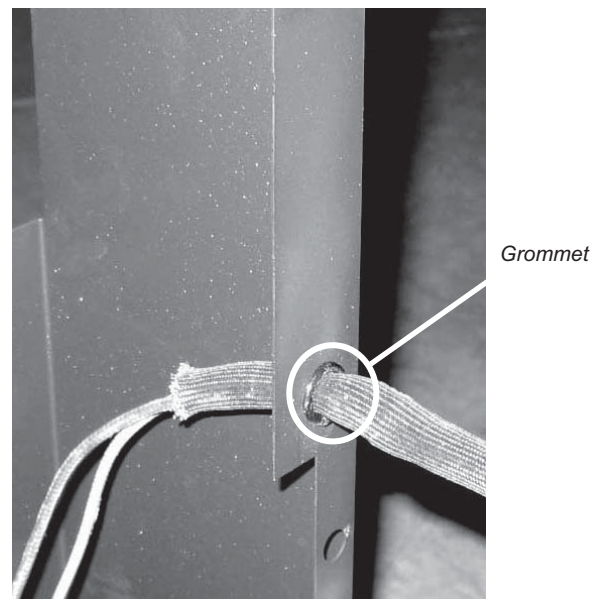


- 4) Unplug the CAT5 cable from the ECS manual switch included with the unit. See diagram 2.
- 5) Remove the 2 bolts, washers, phenolic spacers, split lock washers and nuts securing the manual control keypad to separate the manual control switch keypad. See diagram 2.



- 7) Run the thermodisc wires thru the hole in the heat shield.

Then place the grommet over the sleeve and tuck into the hole in the heat shield as shown in diagram 5.



- 6) Place the ECS manual control switch key pad on the outside of the opening in the faceplate and the control switch to the inside of the faceplate.

Align the holes and secure in place using the 2 bolts, washers, phenolic spacers, split lock washers and nuts. See diagram 3 for sequence. Diagram 4 shows ECS manual control switch mounted on faceplate.

INSTALLATION

- 8) Secure with 2 Phillips Head Screws as shown. See Diagram 6 inset

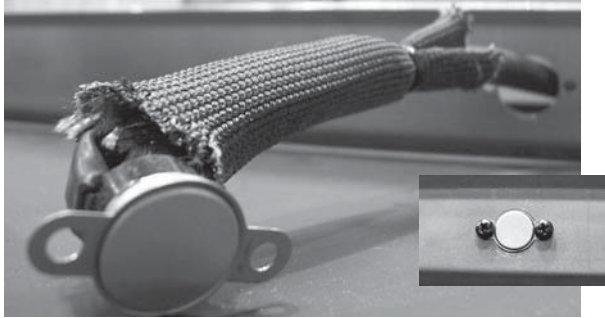


Diagram 6



Diagram 7

- 9) Bring faceplate close to unit.
- 10) Run thermodisc wires from top of heat deflector through left side of faceplate. See Diagram 7.
- 11) Place the cable ties thru the cable tie holders in the heat shield loosely to secure loose wires.

Run the CAT5 cable from the unit thru the cable ties on the heat shield and tighten cable ties. Ensure not to overtighten. Cut excess cable tie. See diagram 8.

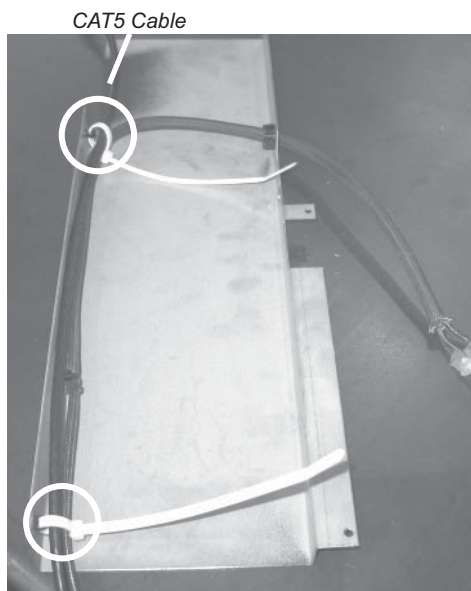


Diagram 8

- 12) Partially mount the heat shield to the left side of the faceplate and connect the CAT5 cable to the ECS manual control switch. See diagram 9.



Diagram 9

- 13) Secure the heat shield to the faceplate using 2 screws. See diagram 10. NOTE: Screws are secured from the front.

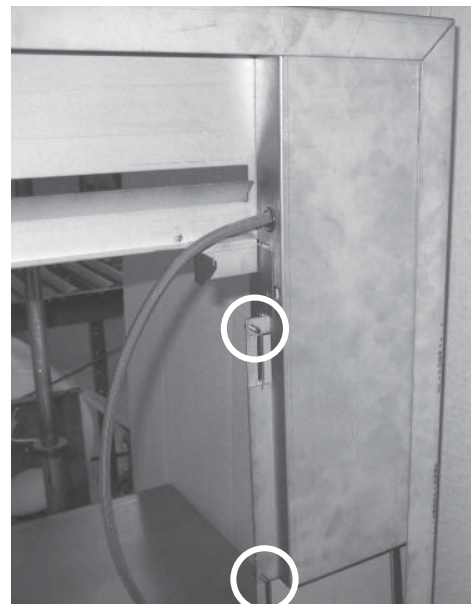


Diagram 10

INSTALLATION

Thermodisc Installation:

- 14) Install the heat deflector to the unit by fitting the tabs into the tab brackets located on the underside of the firebox. See diagram 11. Diagram 12 shows deflector completely installed.

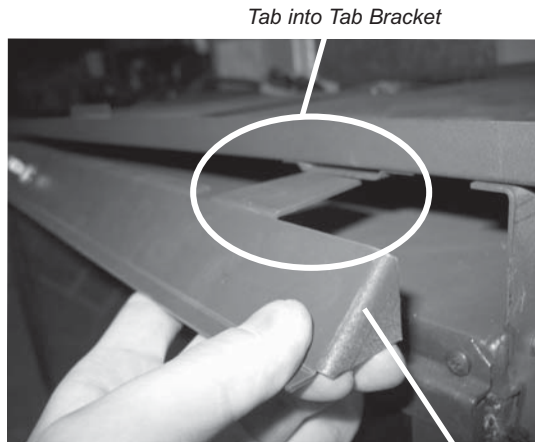


Diagram 11

Heat Deflector



Diagram 12

Faceplate Installation:

- 15) Completely mount the faceplate to the unit. See diagram 13.

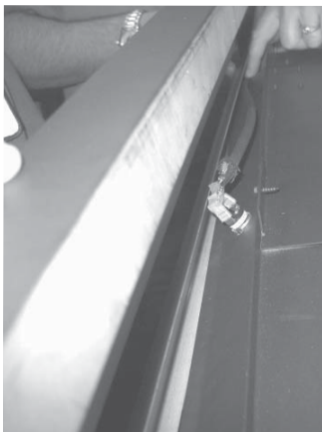


Diagram 13

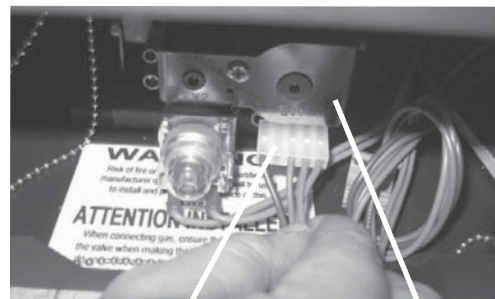
- 16) Secure the faceplate in place using 2 screws on the left and right side. Diagram 14 shows mounting on right side.



Diagram 14

Wiring:

- 17) Remove the wire harness from the valve. See diagram 15.



Wire Harness

Valve

Diagram 15

- 18) Undo the wire clip to the right side of the valve. See diagram 16.

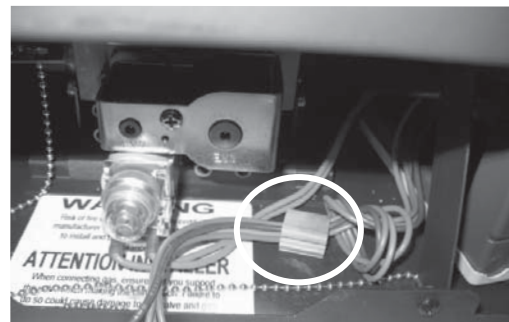


Diagram 16

- 19) Carefully lift off the ignition module from the velcro and slightly bring forward. Remove the wire harness connected to the ignition module as shown in diagram 17.

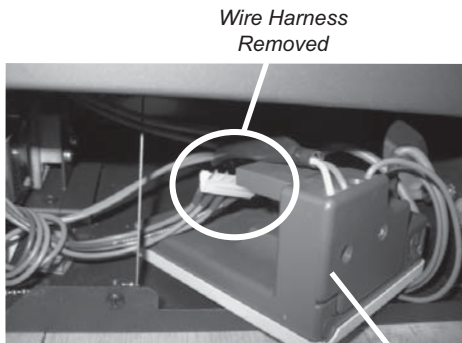


Diagram 17 Ignition Module

- 22) Connect the other end of the new wire harness to the valve, in place of the one removed in step 16. See diagram 20.

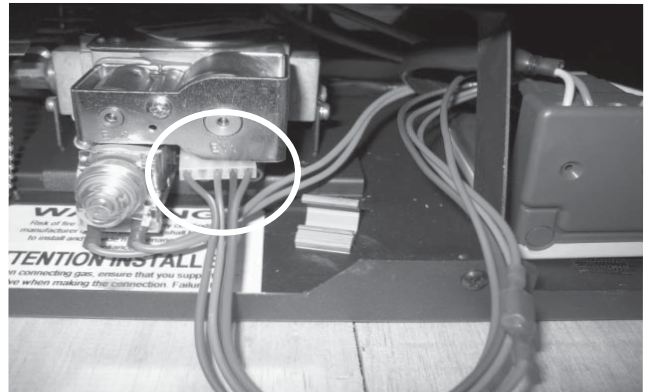


Diagram 20

- 20) Discard the complete wire harness that was connected to the valve and ignition module.

- 21) Take the wire harness included with the kit and connect one end of the wire harness to the ignition module (in place of the one removed), see diagram 18.

Place the ignition module back on the velcro at the base of the firebox. Ensure to run the loose wires from the wire harness in behind the bracket on the left side of the ignition module. See diagram 19.

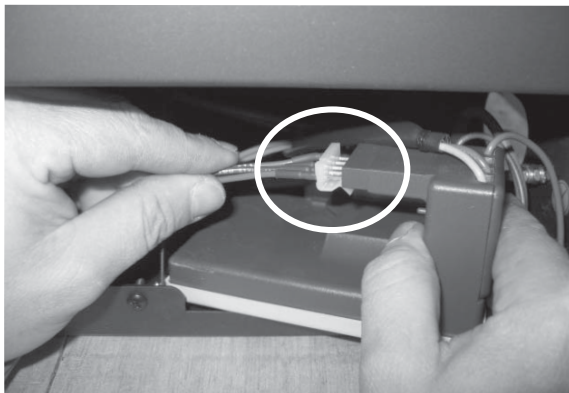


Diagram 18

- 23) Disconnect the red split wires from the wire harness as shown in diagram 21.

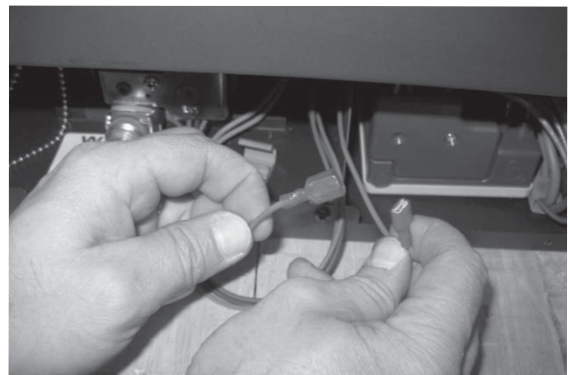


Diagram 21

- 24) Feed the remaining thermdisc wires thru the opening on the bottom of the left side of the firebox and run them in behind the bracket to the left of the valve. See diagram 22.

Connect the 2 wires from the thermdisc to the appropriate wire on the harness; female to male, male to female.

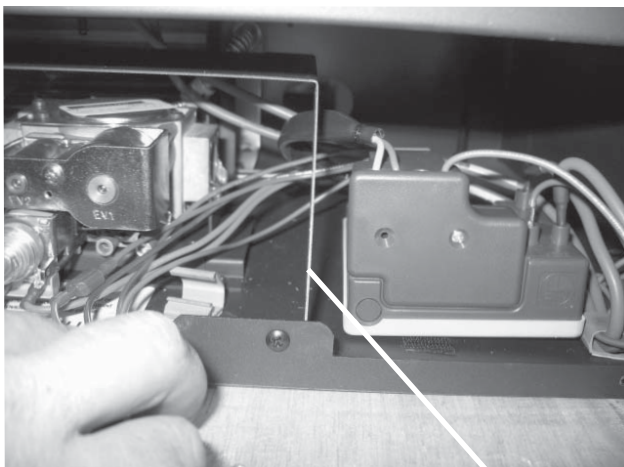
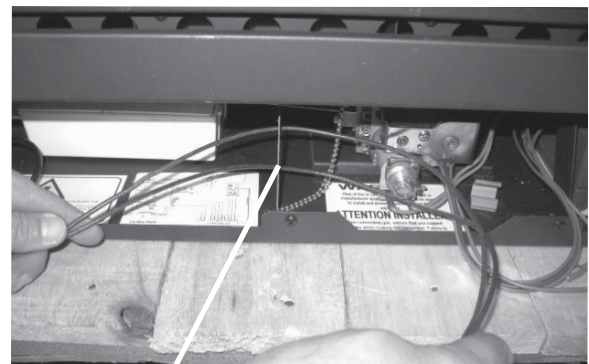


Diagram 19 Bracket



Bracket Diagram 22

INSTALLATION

- 25) Secure all loose wires in the wire clip to the right side of the valve. See diagram 23.

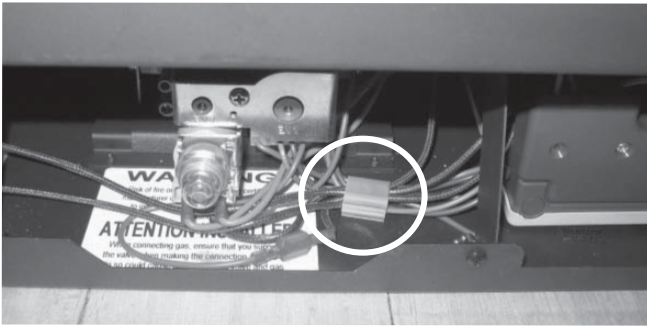


Diagram 23

Louver Installation:

- 26) Secure the hinge bracket and hinge to the outside of the firebox flange on the left and right side as shown using 2 screws on each side. See diagram 24.

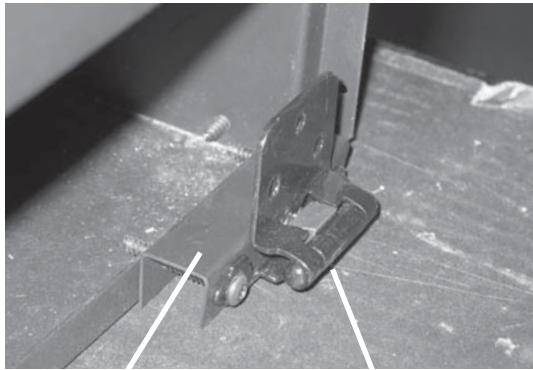
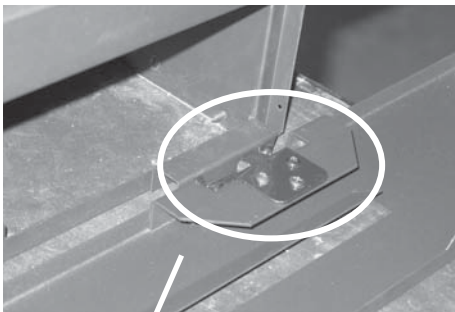


Diagram 24

- 27) Align the bottom louver hinge tab screw holes with hinge screw holes and secure using 3 screws on each side. See diagram 25.



Bottom Louver

Diagram 25

Screen Door Installation:

- 28) Re-install the glass door.

- 29) Install the screen by placing the hooks (2 on each side) into the slots on the inside of the faceplate. Once in place, push down on the screen to secure. See diagram 26.



Diagram 26

- 30) Close the bottom louver.

- 31) Plug in the power source.

NOTE:

The fan should run at least on low speed to prevent the unit from overheating which will cause automatic shutdown via the thermdisc safety switch.

INSTALLATION

REMOTE CONTROL

Use the Regency Remote Control Kit approved for this unit. Use of other systems may void your warranty.

The remote control kit comes with a hand held transmitter and a wall mounting plate.

- 1) Choose a convenient location to mount the hand held transmitter, protection from extreme heat is very important.

By using the wall mounting plate to house the transmitter, the remote can also be used as a wall thermostat.



FINAL CHECK

Before leaving this unit with the customer, the installer must ensure that the appliance is firing correctly. This includes:

- 1) Clocking the appliance to ensure the correct firing rate (rate noted on label) at 15 minutes.
- 2) If required, adjusting the primary air to ensure that the flame does not carbon. First allow the unit to burn for 15 min. to stabilize.
- 3) Check for proper draft.

CAUTION

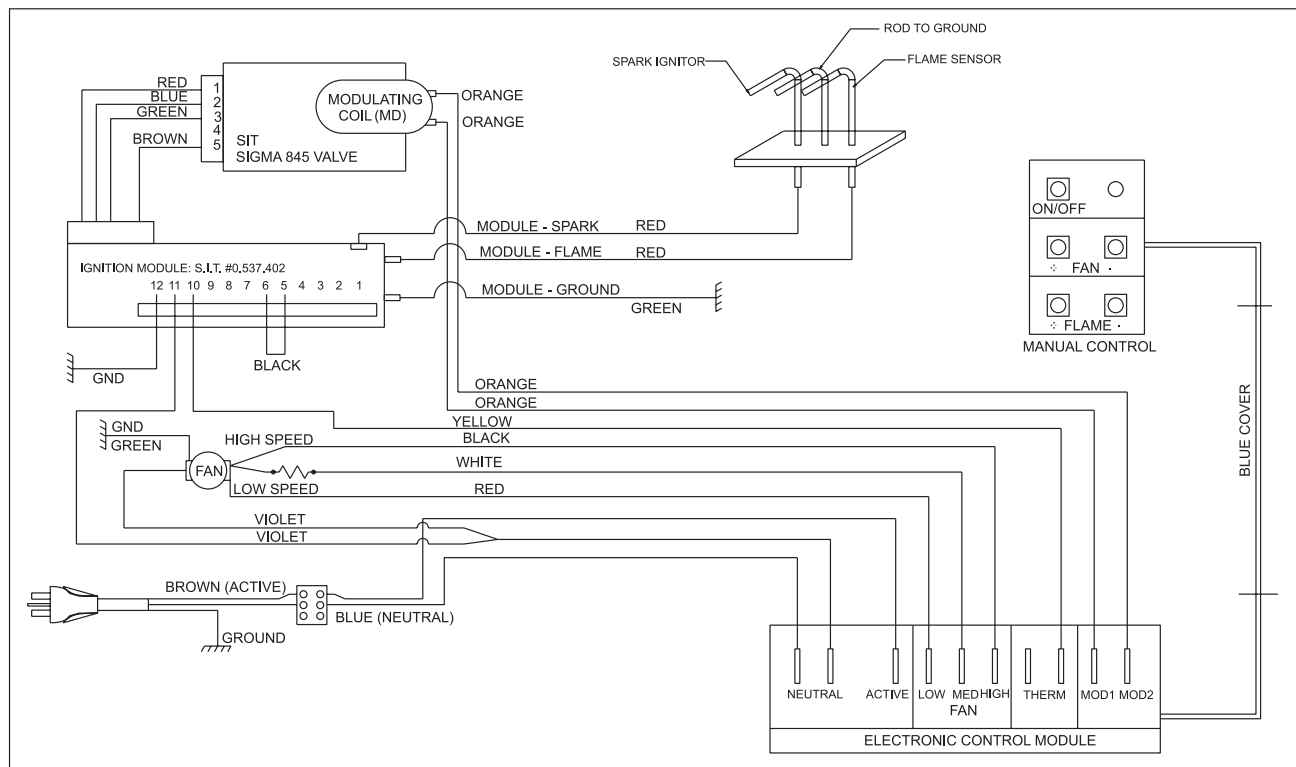
Any alteration to the product that causes sooting or carboning that results in damage to the exterior fascia is not the responsibility of the

WIRING

Caution: Ensure that the wires do not touch any hot surfaces and are away from sharp edges.

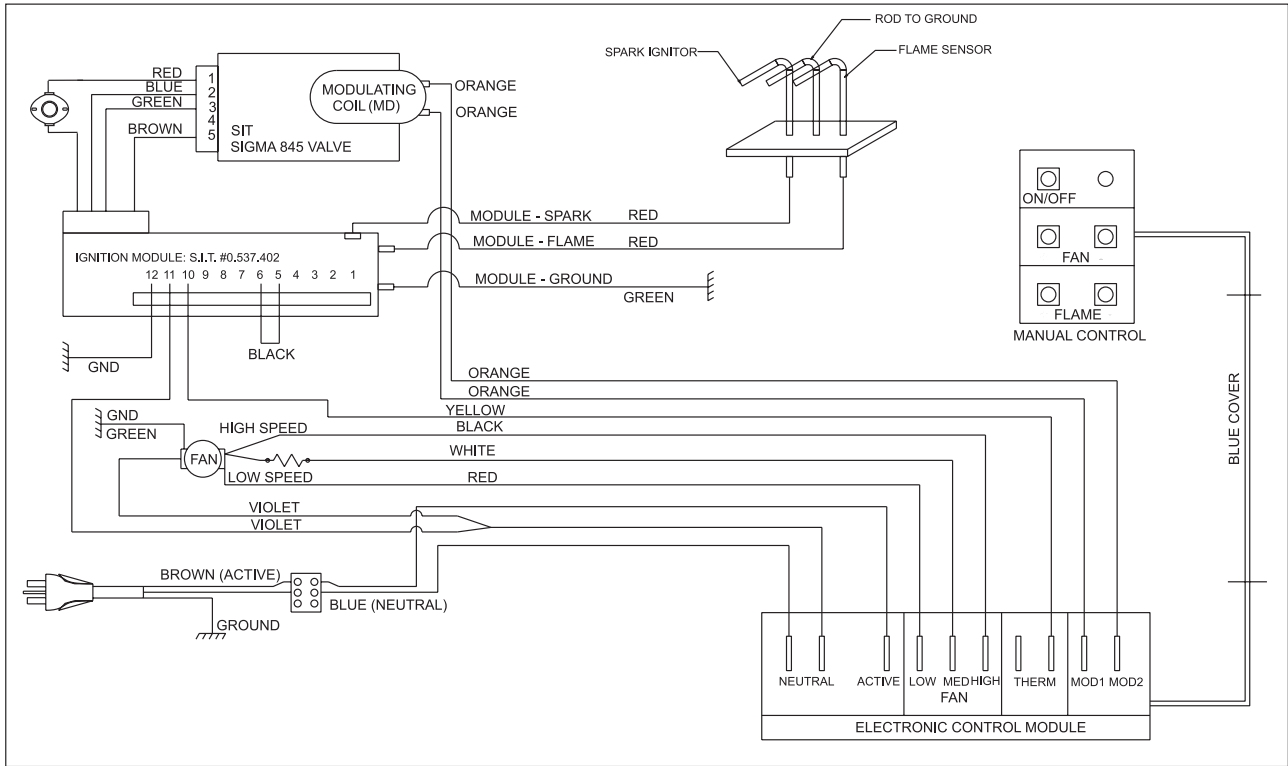
This unit is polarity sensitive and will not operate if polarity is incorrect.

STANDARD WIRING



INSTALLATION

WIRING WITH PREMIUM FLUSH FRONT OPTION



WARNING:
Electrical Grounding Instructions

This appliance is equipped with a three pronged (grounding) plug for your protection against shock hazard and should be plugged directly into a properly grounded three-prong receptacle. Do not cut or remove the grounding prong from this plug.

CAUTION:
Label all wires prior to disconnection when servicing controls. Wiring errors can cause improper and dangerous operation.

OPERATING INSTRUCTIONS

OPERATING INSTRUCTIONS

Before operating this appliance, proceed through the following check list.

- 1) Read and understand these Instructions before operating this appliance.
 - 2) Check to see that all wiring is correct and enclosed to prevent possible shock.
 - 3) Check to ensure there are no gas leaks.
 - 4) Make sure the glass door is in place. Never operate the appliance with the door glass removed.
 - 5) Verify that all flueing and the cap is unobstructed.
 - 6) Verify log placement.
 - 7) The unit should never be turned off and on again without a minimum of a 60 second wait.
 - 8) When lighting the appliance, the inside of the glass may fog up. This will burn off after a few minutes of operation.
-

LIGHTING INSTRUCTIONS

- 1) Plug the power cord into a power outlet.
 - 2) Press and release the ON/OFF switch once to start the unit. The LED will be lit.
 - 3) After approximately 8 seconds the spark ignition system will spark for 8 seconds to light the main burner.
 - 4) If the main burner does not light, repeat step 2 to restart the unit.
-

SHUTDOWN INSTRUCTIONS

- 1) Press the ON/OFF switch once.
- 2) The LED will flash.
- 3) Turn off all electric power to the appliance if service is to be performed.

FIRST FIRE

The **FIRST FIRE** in your heater is part of the paint curing process. To ensure that the paint is properly cured, it is recommended that you burn your fireplace for at least four (4) hours the first time you use it with the fan on.

When first operated, the unit will release an odour caused by the curing of the paint and the burning off of any oils remaining from manufacturing. Smoke detectors in the house may go off at this time. Open a few windows to ventilate the room for a couple of hours. The glass may require cleaning.

NOTE: The main burner will always start on "HIGH" and resume it's last setting after 20 seconds of operation.

NOTE: When the glass is cold and the appliance is lit, it may cause condensation and fog the glass. This condensation is normal and will disappear in a few minutes as the glass heats up.

DO NOT ATTEMPT TO CLEAN THE GLASS WHILE IT IS STILL HOT!

DO NOT BURN THE APPLIANCE WITHOUT THE GLASS FRONT IN PLACE.

FAN OPERATION

Set the fan speed on the control panel at the top rear of the unit to adjust to the desired speed.

Pressing and releasing the plus (+) FAN button will change the fan speed as follows:

OFF -> LOW -> MEDIUM -> HIGH -> OFF, etc.

Pressing and releasing the minus (-) FAN button will be the reverse of the above.

ADJUSTING FLAME HEIGHT

There are six flame settings that can be adjusted by pressing and releasing the plus (+) and minus (-) FLAME button.

The FLAME setting button is located on the control panel at the top rear of the unit.

SUMMARY OF CONTROLS

On/Off Button

If the unit is switched off, pressing and releasing this button once will switch the unit on. The unit will resume its last settings.

If the unit is switched on, pressing and releasing this button once will switch the unit off.

Flame:

Increase - If the unit is switched on, pressing and releasing the flame plus (+) button once will increase the flame height to the next available high setting.

Decrease - If the unit is switched on, pressing and releasing the flame minus (-) button once will decrease the flame height to the next available low setting.

Fan:

Increase - If the unit is switched on, pressing and releasing the fan plus (+) button once will increase the fan speed to the next available high setting.

Decrease - If the unit is switched on, pressing and releasing the fan minus (-) button once will decrease the fan speed to the next available low setting.

OPERATING INSTRUCTIONS

COPY OF LIGHTING INSTRUCTION PLATE

FOR YOUR SAFETY READ BEFORE LIGHTING

This appliance must be installed in accordance with local codes, if any; if not, follow the current CAN1-B149/ANSI Z 223.1 (Australia: AS5601-2004, New Zealand: NZS 5261)

WARNING: If you do not follow these instructions exactly, a fire or explosion may result causing property damage, personal injury or loss of life. Improper installation, adjustment, alteration, service or maintenance can cause injury or property damage. Refer to the owner's information manual provided with this appliance. For assistance or additional information consult a qualified installer, service agency or gas supplier.

A) BEFORE LIGHTING smell all around the appliance area for gas. Be sure to smell next to the floor because some gas is heavier than air and will settle on the floor.

B) Do not use this appliance if any part has been under water. Immediately call a qualified service technician to inspect the appliance and to replace any part of the control system and any gas control which has been under water.

WHAT TO DO IF YOU SMELL GAS

- Do not try to light any appliance
- Do not touch any electric switch, do not use any phone in your building
- Immediately call your gas supplier from a neighbors phone. Follow the gas supplier's instructions.
- If you cannot reach your gas supplier, call the fire department.

This appliance needs fresh air for safe operation and must be installed so there are provisions for adequate combustion and ventilation air.

CAUTION: Hot while in operation. Do not touch. Severe Burns may result. Due to high surface temperatures keep children, clothing and furniture, gasoline and other liquids having flammable vapors away. Keep burner and control compartment clean. See installation and operating instructions accompanying appliance.

LIGHTING INSTRUCTIONS

STOP! Read the safety information above on this label.

1) Plug the power cord into a power outlet.	3) After approximately 8 seconds the spark ignition system will spark for 8 seconds to light the main burner.
2) Press and release the ON/OFF switch once to start the unit. The LED will be lit.	4) If the main burner does not light, repeat step 2 to restart.

TO TURN OFF GAS APPLIANCE

1) Press the ON/OFF switch once.	3) Turn off all electric power to the unit if service is to be performed.
2) The LED will flash.	

You may shut off the pilot during prolonged non use periods to conserve fuel.

DO NOT REMOVE THIS INSTRUCTION PLATE

918-247b

NORMAL OPERATING SOUNDS OF GAS APPLIANCES

It is possible that you will hear some sounds from your gas appliance. This is perfectly normal due to the fact that there are various gauges and types of steel used within your appliance. Listed below are some examples. All are **normal operating sounds** and should not be considered as defects in your appliance.

Blower:

Regency gas appliances use high tech blowers to push heated air farther into the room. It is not unusual for the fan to make a "whirring" sound when ON. This sound will increase or decrease in volume depending on the speed setting of your fan speed control.

Burner Tray:

The burner tray is positioned directly under the burner tube(s) and logs and is made of a different gauge material from the rest of the firebox and body. Therefore, the varying thicknesses of steel will expand and contract at slightly different rates which can cause "ticking" and "cracking" sounds. You should also be aware that as there are temperature changes within the unit these sounds will likely re-occur. Again, this is normal for steel fireboxes.

Gas Control Valve:

As the gas control valve turns ON and OFF, a dull clicking sound may be audible, this is normal operation of a gas regulator or valve.

Unit Body/Firebox:

Different types and thicknesses of steel will expand and contract at different rates resulting in some "cracking" and "ticking" sounds will be heard throughout the cycling process.

WARNING:
DO NOT SPRAY AEROSOLS IN THE VICINITY OF THIS APPLIANCE WHILE IN OPERATION.

MAINTENANCE INSTRUCTIONS

Any maintenance required accessing the glass door of the unit must be performed by an authorized service person.

- 1) Always unplug the power cord before cleaning. For relighting, refer to lighting instructions. Keep the burner and control compartment clean by brushing and vacuuming at least once a year. When cleaning the logs, use a soft clean brush as the logs are fragile and easily damaged.
- 2) Clean glass (never when unit is hot), appliance, louvres, and door with a damp cloth. Never use an abrasive cleaner. The gold louvres (and optional gold door) may be scratched if abrasives are used to clean them.

The heater is finished in a heat resistant paint and should only be refinished with heat resistant paint (not with wall paint). Regency uses StoveBright Paint - Metallic Black #6309.

- 3) Make a periodic check of burner for proper position and condition. Visually check the flame of the burner periodically, making sure the flames are steady; not lifting or floating. If there is a problem, call an authorized service person.
- 4) The appliance and flueing system must be inspected before use, and at least annually, by an authorized field service person, to ensure that the flow of combustion and ventilation air is not obstructed.

During the annual service call, the burners should be removed from the burner tray and cleaned. Replace the embers - do not block the burner ports.

- 5) Keep the area near the appliance clear and free from combustible materials, gasoline and other flammable vapours and liquids.

WARNING: CHILDREN AND ADULTS SHOULD BE ALERTED TO THE HAZARDS OF HIGH SURFACE TEMPERATURE AND SHOULD STAY AWAY TO AVOID BURNS OR CLOTHING IGNITION. YOUNG CHILDREN SHOULD BE CAREFULLY SUPERVISED WHEN THEY ARE IN THE SAME ROOM AS THE APPLIANCE.

CAUTION: ANY SAFETY SCREEN OR GUARD REMOVED FOR SERVICING AN APPLIANCE MUST BE REPLACED PRIOR TO OPERATING THE APPLIANCE.

CLOTHING OR OTHER FLAMMABLE MATERIAL SHOULD NOT BE PLACED ON OR NEAR THE APPLIANCE.

DO NOT USE THIS APPLIANCE IF ANY PART HAS BEEN UNDER WATER. IMMEDIATELY CALL AN AUTHORIZED SERVICE TECHNICIAN TO INSPECT THE APPLIANCE AND TO REPLACE ANY PART OF CONTROL SYSTEM AND ANY GAS CONTROL WHICH HAS BEEN UNDER WATER.

- 6) Verify proper operation after servicing.

LOG REPLACEMENT

The unit should never be used with broken logs. Unplug the power cord and allow the unit to cool before opening door to carefully remove the logs. If for any reason a log should need replacement, you must use the proper replacement log. The position of these logs must be as shown in the diagram under Log Installation.

Note: *Improper positioning of logs may create carbon build-up and will alter the unit's performance which is not covered under warranty.*

DOOR GLASS REPLACEMENT

Your Regency stove is supplied with high temperature, 5 mm Neoceram ceramic glass that will withstand the highest heat that your unit will produce. In the event that you break your glass by impact, purchase your replacement from an authorised Regency dealer only, and follow our step-by-step instructions for replacement.

WARNING: do not operate appliance with the glass front removed, cracked or broken. Replacement of the glass should be done by a licensed or authorised service person.

Flush Glass Replacement

Slide old glass out of the side frames and replace with new glass.

GLASS GASKET

If the glass gasket requires replacement use 7/8" flat glass gasket (Part # 936-243).

MAINTENANCE

FAN MAINTENANCE

To Remove Fan:

- 1) Turn the unit off and allow it to cool to room temperature.
- 2) Unplug or disconnect power source to stove.
- 3) Open the bottom louvre.
- 4) Remove the ECS harness from the back clip.



Back Clip

- 5) Remove the 2 screws that secure the fan in place.



- 6) Pull out the ECS box.
NOTE: The ECS box is held in place with velcro.
- 7) Carefully slide the fan to the front, rotate it 45 degrees and slide it out simultaneously with the ECS box.



Resistor Con-nectors Fan Connectors Fan Ground Cable

- 8) Disconnect all the connectors from the fan and resistor.
- 9) Remove the fan ground cable.
- 10) Pull out the fan tray.
- 11) Remove the 3 screws from the back of the fan tray to remove the fan.
- 12) Reverse the above steps to install the new fan.



REMOVING VALVE TRAY

- 1) Unplug or disconnect the power source to the stove.
- 2) Shut off the gas supply and remove the gas connection from the valve.
- 3) Remove the top louvre.
- 4) Remove the safety screen.
- 5) Remove the screen door.
- 6) Remove the logs.
- 7) Remove the brick panels.
- 8) Remove the rear log tray.
- 9) Remove the grate.
- 10) Remove the burner.
- 11) Remove the glass door holder by removing 4 screws on the front and 2 on the bottom.

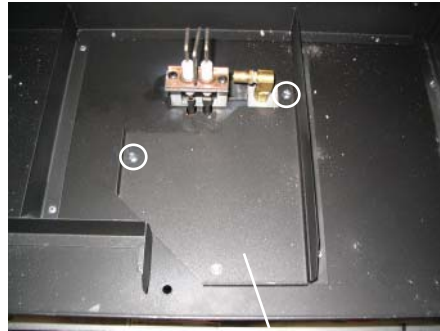
Glass Door Holder



- 12) Remove the firebox base plate by removing 11 screws which hold it in place.

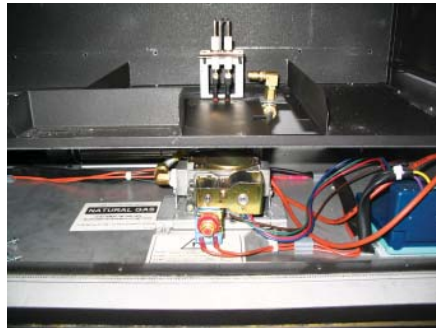


- 13) Remove the valve cover plate by removing the 3 screws.

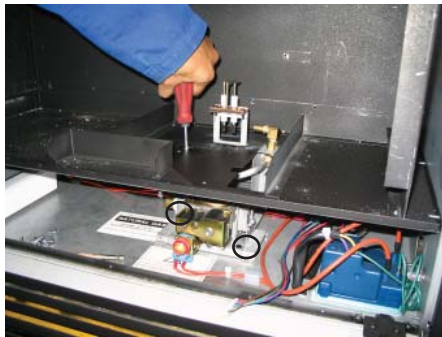


Valve Cover

- 14) Remove all the wire connectors from the valve and spark ignitor.



- 15) Remove the 2 screws which secure the valve tray. Use a long Philips screwdriver for easy access.



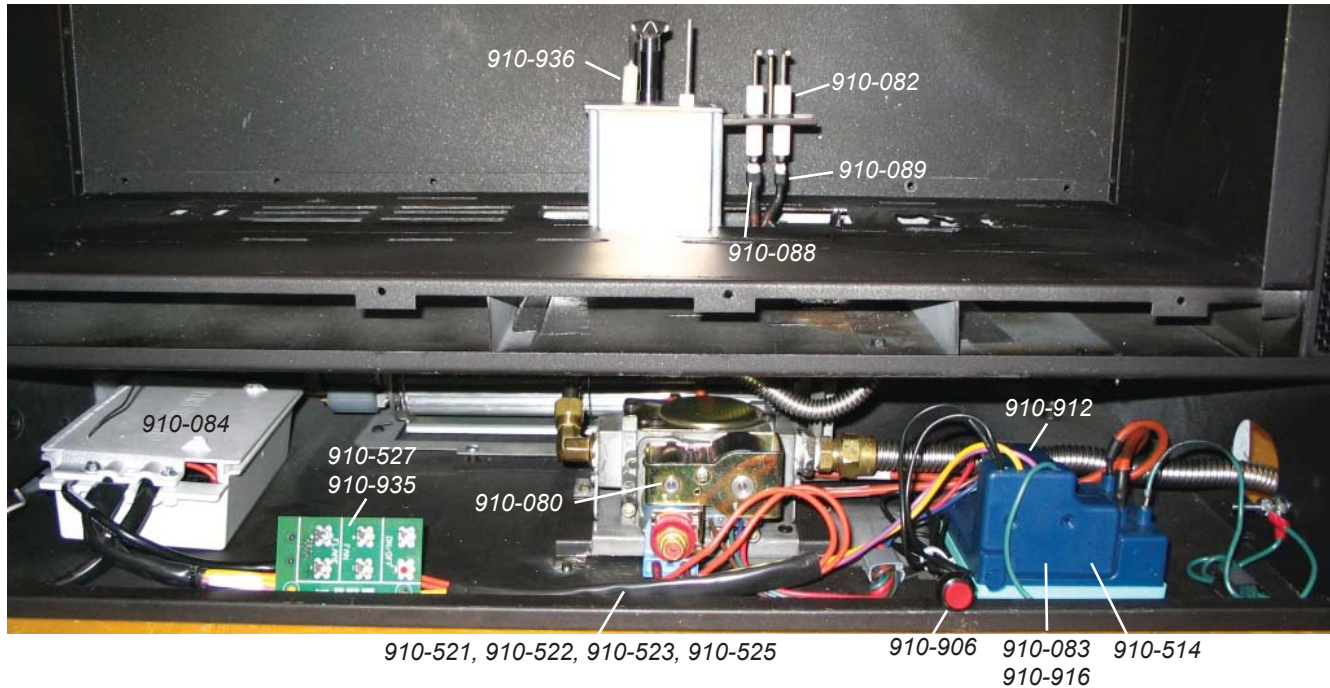
- 16) Remove the valve tray assembly.



- 17) To replace the valve tray assembly, simply reverse the above steps.

PARTS LIST

ELECTRONIC COMPONENTS PARTS LIST



	FG37	FG38	FG39	PG33	PG36 PG36D	HG35	PG121/PG131	IG35
910-909 Fan Resistor	✓	✓	✓	✓	✓	✓	✓	✓
910-936 Intermittent Pilot	✓	N/A	✓	✓	✓	✓	✓	N/A
910-082 Direct Spark Ignitor	N/A	✓	N/A	N/A	N/A	N/A	N/A	✓
910-089 Flame Cable	N/A	✓	N/A	N/A	N/A	N/A	N/A	✓
910-088 Spark Cable	N/A	✓	N/A	N/A	N/A	N/A	N/A	✓
910-084 Control Box	✓	✓	✓	✓	✓	✓	✓	✓
910-527 Manual Control	✓	✓	✓	N/A	N/A	✓	N/A	N/A
910-080 Valve	✓	✓	✓	✓	✓	✓	✓	✓
910-521 Control Box Cable (1) 910-522 Control Box Cable (2) 910-523 Control Box Cable (3) 910-525 Control Box Cable (4)	(2)	N/A*	(2)	(2)	(1)	(4)	(3)	N/A*
910-912 Ignition Module to Valve Cable	N/A	N/A	N/A	✓	✓	✓	✓	✓
910-906 Reset Switch	✓	N/A	✓	✓	✓	✓	✓	N/A
910-083 Ignition Module (1) 910-922 Ignition Module (2)	(2)	(1)	(2)	(2)	(2)	(2)	(2)	(1)
910-514 Jumper	✓	N/A	✓	✓	✓	✓	✓	N/A
910-935 Manual Control Switch	N/A	N/A	N/A	✓	✓	N/A	✓	✓

*Note: The Control Box Cable wires for the FG38 come separately: 910-502, 910-505, 910-506, 910-507, 910-509
The Control Box Cable wires for the IG35 come separately: 910-530, 910-504, 910-528

MAIN ASSEMBLY

Part #	Description	Part #	Description
1) 910-169/P	Fan Motor (240 V)	7) 486-910	Flush Louvre set - Black (Top & Bottom)
2) 910-714	Power Cord 240 Volts	486-904	Brick Panel (Set)
3) 820-389	Thermodisc Bracket	8) *	Brick Panel - Back
5) 910-006	Terminal Block	9) *	Brick Panel - Left Side
6) *	Levelling Bolts 5/16 x 3 Hex Head	10) *	Brick Panel - Right Side
948-216	Logo Plate	11) 511-031	Brick Clips
918-448	Manual	12) 936-233	3/4" Rope Gasket
		13) 486-968	LPG Conversion Kit
		486-967	ULPG Conversion Kit

*Not available as a replacement part.

BURNER ASSEMBLY & LOG SET

Part #	Description	Part #	Description
486-574/P	Valve Assembly - NG	69) 730-935	Log Set
486-576/P	Valve Assembly - LPG	486-930	Log/Ember Package
52) 910-080	SIGMA Valve 845	86) 910-386	Thermocouple
53) 910-190	Piezo Ignitor and nut	87) 910-341	Thermopile
54) *	Valve Heat Shield	92) *	Rear Log
56) *	Pilot Bracket	93) *	Left Top Log
60) 486-048	Grate Assembly	94) *	Center Log
62) 486-535	Burner Assembly - NG/LPG	95) *	Middle Right Log
63) 910-034	Pilot Assy (NG) - 3 flame convertible top	96) *	Middle Left Log
910-035	Pilot Assy (LPG) - 3 flame convertible top	97) *	Front Right Log
		98) *	Front Left Log

*Not available as a replacement part.

PARTS LIST

FACEPLATE ASSEMBLY

Part #	Description	Part #	Description
87)	910-140 Fan HI/OFF/LOW Switch	176)	486-926 Hearth Trim 2" - Regular
88)	910-246 Burner ON/OFF Switch	180)	486-928 Hearth Trim 4" - Regular
	486-918 Faceplate & Trim Complete - Regular	181)	486-929 Flush Screen Door
91)	* Faceplate Side Right - Regular		
92)	* Faceplate Top - Regular		*Not available as a replacement part.
93)	* Faceplate Side Left - Regular		
	Trims Packaged - Regular		
94)	* Faceplate Trim Right - Regular		
95)	* Faceplate Trim Top - Regular		
96)	* Faceplate Trim Left Assy - Regular		

PREMIUM FLUSH FRONT ASSEMBLY

Part #	Description
486-916	Premium Flush Front - Black
486-949	Wiring
486-932	Flue Free Kit
910-987	Thermodisc
200)	* Screen
201)	* Heat Deflector
202)	* Heat Shield

*Not available as a replacement part.

WARRANTY

Regency® fireplace products are designed with reliability and simplicity in mind. In addition, our internal Quality Assurance Team carefully inspects each unit thoroughly before it leaves our door. Regency® Industries Ltd. is pleased to extend this limited lifetime warranty to the original purchaser of a Regency® Product.

The Warranty: Lifetime

Covered under the agreement are the following components:

Combustion chamber, heat exchanger, burner tubes, logs, embers, glass (thermal breakage) and all gold plating (against defective manufacture).

The above will be covered for parts and labour for the first five years and parts only thereafter.

Electrical components such as blowers, switches, wiring, thermodiscs, remote control, thermopiles, thermocouples and gas valves are covered for one year from the date of purchase.

Conditions:

All installations must be performed by an authorised gas fitter and installed according to all applicable local and national codes. Also, all service work must be carried out by an authorised gas service person. It is the responsibility of the installer to ensure that the appliance is firing as per rating plate. Any part or parts of this unit which in our judgement show evidence of such defect will be repaired or replaced at Regency®'s option, through an accredited distributor or agent provided that the defective part be returned to the distributor or agent **Transportation Prepaid**, if requested. In areas where there is not an approved service agent or the closest approved service agent is situated more than twenty-five (25) kilometres from the installation, Australian Heating Distributors are not obliged to arrange warranty repairs and travel and/or additional labour charges will apply.

Exclusions:

This limited Lifetime Warranty does not extend to or include paint, door or glass gasketing or trim. It does not cover installation and operational related problems such as over-firing, downdrafts or spillage caused by environmental conditions, nearby trees, buildings, hilltops, mountains, inadequate flueing or ventilation, excessive offsets, negative air pressures caused by insufficient make up air, mechanical systems such as furnaces, fans, clothes dryers etc.

The warranty does not extend to any part or parts which show evidence of misuse or abuse, neglect, accident or lack of maintenance.

Products made by other manufacturers and used in conjunction with the operation of this appliance without authorization from Regency®, may nullify your warranty on this product.

Regency® Industries Ltd., shall in no event be liable for any special, indirect consequential damages of any nature whatsoever which are in excess of the original purchase price of the product. Any alteration to the unit which causes sooting or carboning that results in damage to the exterior facia is not the responsibility of Regency® Industries Ltd.

General:

It is essential that all submitted claims provide all of the necessary information including purchase date, serial #, type of unit and part or parts requested.



Sydney
26 Roger Street
Brookvale, NSW 2100
Ph: 9939 9848

South Coast
136 Industrial Road
Oak Flats, NSW 2529
Ph: 4256 5555

sales@thefireplace.com.au
www.thefireplace.com.au