

ITEM# \_\_\_\_\_

PROJECT \_\_\_\_\_

DATE \_\_\_\_\_

## 12 Cup Automatic Coffee Brewer

### Features

#### 12 Cup Automatic Coffee Brewer

- Brews 3.8 to 7.5 gallons (14.4 to 28.4 liters) of perfect coffee per hour.
- Model is space-saving 8.5" (21.6 cm) wide.
- Black decor construction (stainless steel optional).
- Hot water faucet and pourover feature on all models.
- SplashGard® funnel deflects hot liquids away from the hand.
- International electrical configurations available.



**Model CWTF15-3T\***  
Shown with decanters  
(decanters sold separately)

Dimensions: 18.9" H x 8.5" W x 17.8" D  
(48cm H x 21.6cm W x 45.2cm D)



**Model CWTF15-2**  
Shown with decanters  
(decanters sold separately)

Dimensions: 18.9" H x 8.5" W x 17.8" D  
(48cm H x 21.6cm W x 45.2cm D)



**Model CWTF15-1**  
Shown with decanters  
(decanters sold separately)

Dimensions: 16.8" H x 8.5" W x 17.8" D  
(42.7cm H x 21.6cm W x 45.2cm D)

For current specification sheets and other information, go to [www.bunn.com](http://www.bunn.com).

\* International models may vary in appearance.

### Related Products

#### Easy Clear® EQ-17-TL

Product No. : 30200.1000

Dimensions:

12<sup>7</sup>/<sub>16</sub>" H x 2<sup>1</sup>/<sub>2</sub>" W x 3" D  
31.6 cm H x 6.35 cm W x 7.62 cm D



#### Paper Filter Pack

Product No. : 20115.6000

Packed per case: 1,000

Dimensions: 4<sup>1</sup>/<sub>4</sub>" Base x 2<sup>3</sup>/<sub>4</sub>" Sidewall  
10.8 cm Base x 6.98 cm Sidewall



#### WX1-warmer

Product No. : 06450.6000

One position warmer



#### Easy Pour® black decanter

Product No. : 06100.0201

Quantity: 1 (also packaged in quantities of 3 & 24)



#### WX2-warmer

Product No. : 06310.6000

Two position warmer



#### Easy Clear® ED-17-TL

Product No. : 30201.1001

Dimensions: 8<sup>1</sup>/<sub>4</sub>" H x 2<sup>5</sup>/<sub>16</sub>" Dia.

20.95 cm H x 5.87 cm Dia.



#### Easy Pour® orange decanter (for decaf)

Product No. : 06101.0201

Quantity: 1 (also packaged in quantities of 3 & 24)



#### Model

#### Agency Listing

CWTF15



CWTF35



CWT15



# Dimensions & Specifications



Model	Product #	Volts	Amps	Tank Htr Watts	Total Watts	Capacity per hour	Cubic Ft. <sup>3</sup> /m <sup>3</sup>	Weight lbs./kg.	Cord Attached
CWTF15-1*	12950.6031	120	11.5	1150	1250	3.8 gal./14.4 liter	3.9/.12	27 /12.3	Yes
CWTF15-2*	12950.6033	120	11.5	1150	1350	3.8 gal./14.4 liter	3.9/.12	32 /14.5	Yes
CWT15-3T*	12950.6013	120	12.5	1150	1250	3.8 gal./14.4 liter	3.9/.12	33 /14.9	Yes
CWTF15-3T**	12950.6037	120	12.5	1150	1450	3.8 gal./14.4 liter	3.9/.12	33 /14.9	Yes
CWTF15-3T*	12950.6038	120	12.5	1150	1450	3.8 gal./14.4 liter	3.9/.12	33 /14.9	Yes
CWTF35-3T*	12950.6053	120/208	15.1	2625	2975	7.5 gal./28.4 liter	3.9/.12	33 /14.9	No
		120/240	17.1	3500	3850	7.5 gal./28.4 liter	3.9/.12	33 /14.9	No
CWTF35-3T***	12950.6066	120/208	15.1	2625	2975	7.5 gal./28.4 liter	3.9/.12	33 /14.9	No
		120/240	17.1	3500	3850	7.5 gal./28.4 liter	3.9/.12	33 /14.9	No
CWT35-3T*	12950.6029	120/208	15.1	2625	2975	7.5 gal./28.4 liter	3.9/.12	33 /14.9	No
		120/240	17.1	3500	3850	7.5 gal./28.4 liter	3.9/.12	33 /14.9	No

\* Black Trunk and Black Plastic Funnel

\*\* Stainless Trunk and Black Plastic Funnel

\*\*\* Black Trunk and Stainless Funnel

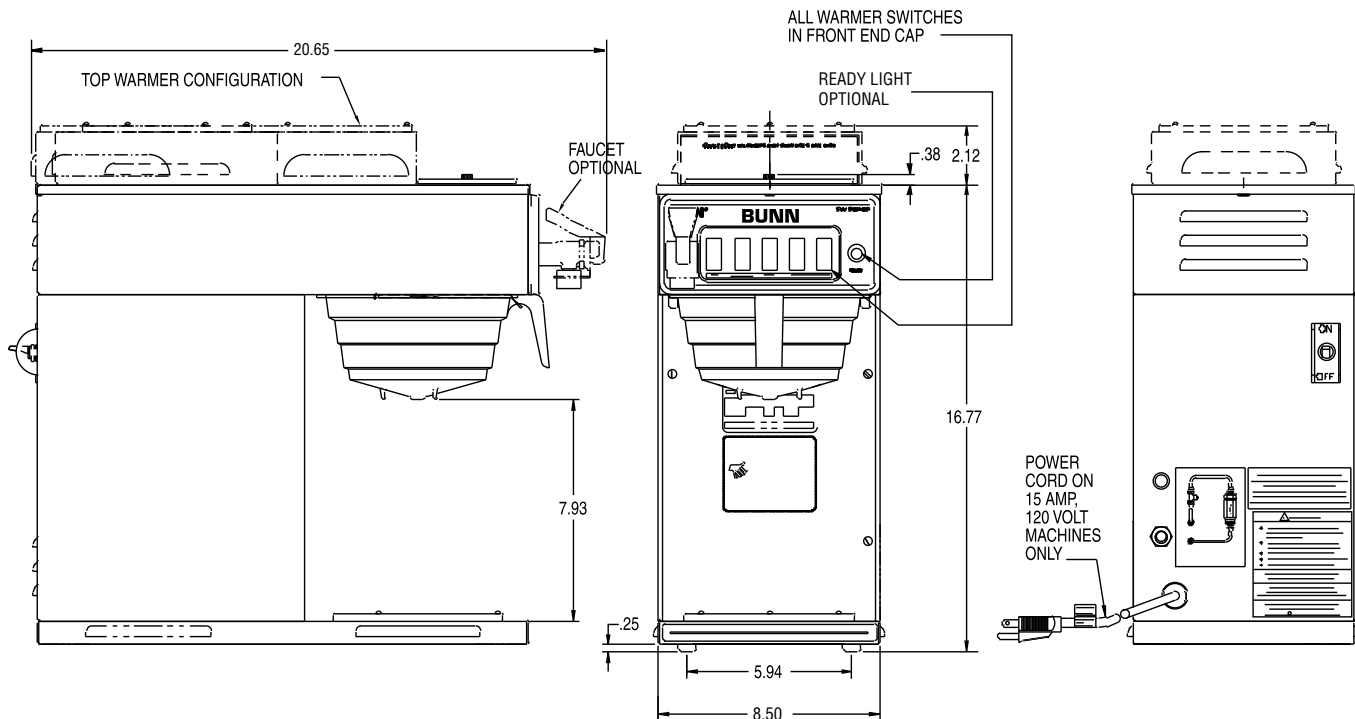
**Brewing capacity:** based upon incoming water temp of 60°F (140°F rise) per 1/2 gallon brew time of 4 minutes.

Models listed as 120/208V or 120/240V must be connected to 208V or 240V electrical service respectively. Please refer to the installation manual.

Electrical: Model 15 requires 2-wires plus ground service rated 120V, single phase, 60 Hz.

Model 35 requires 3-wires plus ground service rated 120/208 or 120/240V, single phase, 60 Hz.

Plumbing: 20-90 psi (138-621 kPa). Machine supplied with 1/4" male flare fitting.



Bunn-O-Matic Corporation of Canada - 280 Industrial Pkwy. S. Aurora, Ontario L4G 3T9 • 905-841-2866 • Fax 905-841-2775 • www.bunn.com

BUNN® practices continuous product research and improvement. We reserve the right to change specifications and product design without notice. Such revisions do not entitle the buyer to corresponding changes, improvements, additions or replacements for previously purchased equipment.

All dimensions shown in inches. Bunn Corporation owns all copyrights relating to materials in this publication. Please contact Bunn Corporation to request permission to reproduce any portion of this publication.