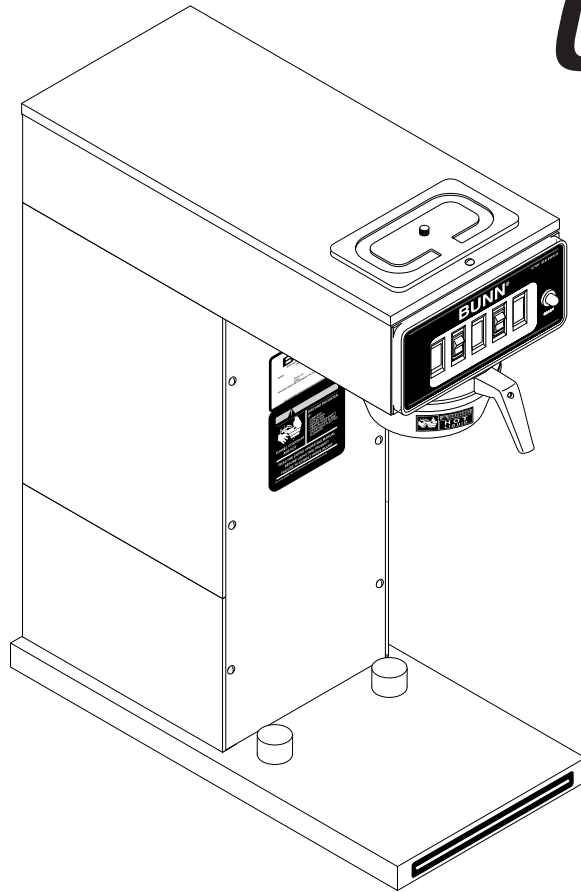


BUNN®

CW-APS, CWT-TS & CWT-TSR



OPERATING & SERVICE MANUAL

BUNN-O-MATIC CORPORATION

POST OFFICE BOX 3227

SPRINGFIELD, ILLINOIS 62708-3227

PHONE: (217) 529-6601 FAX: (217) 529-6644

INTRODUCTION

This equipment will brew a half-gallon batch of coffee into an awaiting dispenser. It can be easily configured for either pour-over or automatic brewing. The automatic version may include a hot water faucet for allied beverage use. It is only for indoor use on a sturdy counter or shelf.

WARRANTY

Bunn-O-Matic Corp. ("Bunn") warrants the equipment manufactured by it to be commercially free from defects in material and workmanship existing at the time of manufacture and appearing within one year from the date of installation. In addition:

1.) Bunn warrants electronic circuit and/or control boards to be commercially free from defects in material and workmanship for two years from the date of installation.

2.) Bunn warrants the compressor on refrigeration equipment to be commercially free from defects in material and workmanship for two years from the date of installation.

3.) Bunn warrants that the grinding burrs on coffee grinding equipment will grind coffee to meet original factory screen sieve analysis for three years from date of installation or for 30,000 pounds of coffee, whichever comes first.

This warranty does not apply to any equipment, component or part that was not manufactured by Bunn or that, in Bunn's judgement, has been affected by misuse, neglect, alteration, improper installation or operation, improper maintenance or repair, damage or casualty.

THE FOREGOING WARRANTY IS EXCLUSIVE AND IS IN LIEU OF ANY OTHER WARRANTY, WRITTEN OR ORAL, EXPRESS OR IMPLIED, INCLUDING, BUT NOT LIMITED TO, ANY IMPLIED WARRANTY OF EITHER MERCHANTABILITY OR FITNESS FOR A PARTICULAR PURPOSE. The agents, dealers or employees of Bunn are not authorized to make modifications to this warranty or to make additional warranties that are binding on Bunn. Accordingly, statements by such individuals, whether oral or written, do not constitute warranties and should not be relied upon.

The Buyer shall give Bunn prompt notice of any claim to be made under this warranty by telephone at (217) 529-6601 or by writing to Post Office Box 3227, Springfield, Illinois, 62708-3227. If requested by Bunn, the Buyer shall ship the defective equipment prepaid to an authorized Bunn service location. If Bunn determines, in its sole discretion, that the equipment does not conform to the warranty, Bunn shall repair the equipment with no charge for parts during the warranty period and no charge for labor by a Bunn Authorized Service Representative during the warranty period. If Bunn determines that repair is not feasible, Bunn shall, at its sole option, replace the equipment or refund the purchase price for the equipment.

THE BUYER'S REMEDY AGAINST BUNN FOR THE BREACH OF ANY OBLIGATION ARISING OUT OF THE SALE OF THIS EQUIPMENT, WHETHER DERIVED FROM WARRANTY OR OTHERWISE, SHALL BE LIMITED, AS SPECIFIED HEREIN, TO REPAIR OR, AT BUNN'S SOLE OPTION, REPLACEMENT OR REFUND.

In no event shall Bunn be liable for any other damage or loss, including, but not limited to, lost profits, lost sales, loss of use of equipment, claims of Buyer's customers, cost of capital, cost of down time, cost of substitute equipment, facilities or services, or any other special, incidental or consequential damages.

USER NOTICES

Carefully read and follow all notices in this manual and on the equipment. All labels on the equipment should be kept in good condition. Replace any unreadable or damaged labels.

#00831.0000

⚠ WARNING
<ul style="list-style-type: none">◆ Fill water tank before turning -on thermostat or connecting appliance to power source.◆ Use only on a properly protected circuit capable of the rated load.◆ Electrically ground the chassis.◆ Follow national/local electrical codes.◆ Do not use near combustibles.
FAILURE TO COMPLY RISKS EQUIPMENT DAMAGE, FIRE, OR SHOCK HAZARD
READ THE ENTIRE OPERATING MANUAL BEFORE BUYING OR USING THIS PRODUCT
THIS APPLIANCE IS HEATED WHENEVER CONNECTED TO A POWER SOURCE
<small>00831.0000F 3/98 © 1988 BUNN-O-MATIC CORPORATION</small>

#00656.0000

This equipment is to be installed to comply with the Basic Plumbing Code of the Building Officials and Code Administrators International, Inc. (BOCA) and the Food Service Sanitation Manual of the Food and Drug Administration (FDA).

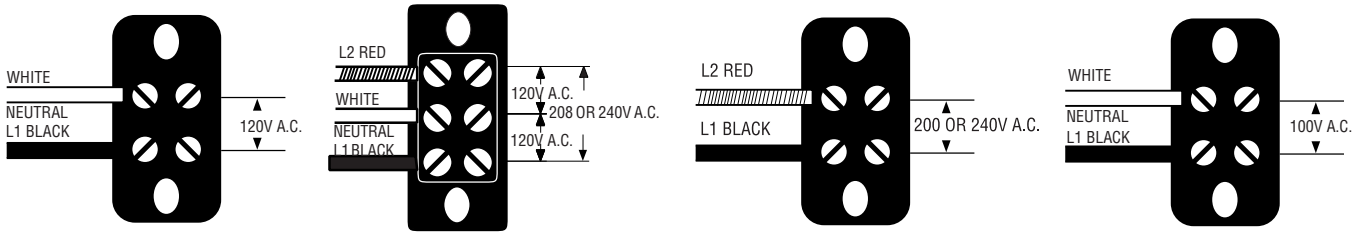
#00658.0000

⚠ WARNING	
 <p>FUNNEL CONTENTS ARE HOT</p>	<p>DISCARD DECANTER IF:</p> <ul style="list-style-type: none">• CRACKED• SCRATCHED• BOILED DRY• HEATED WHEN EMPTY• USED ON HIGH FLAME OR EXPOSED ELECTRIC ELEMENTS
READ THE ENTIRE OPERATING MANUAL BEFORE USING THIS PRODUCT FAILURE TO COMPLY RISKS INJURY	
<small>PN: 00658.0000F 6/98 © 1985 BUNN-O-MATIC CORPORATION</small>	

ELECTRICAL REQUIREMENTS

CAUTION - The brewer must be disconnected from the power source until specified in *Initial Set-Up*.

Model 15 has an attached cordset and requires 2-wire grounded service rated 120 volts ac, 15 amp, single phase, 60 Hz.



Model 20 requires 2-wire, grounded service rated 120 volts ac, 20 amp, single phase, 60 Hz. Proceed as follows:

Model 35 requires 3-wire, grounded service rated 120/208 or 120/240 volts ac, 20 amp, single phase, 60 Hz. Proceed as follows:

"A" & "B" models require 2-wire, grounded service rated 200 volts ac or 240 volts ac, 20 amp, single phase, 50 Hz. Proceed as follows:

"B" models require 2-wire, grounded service rated 100 volts ac, 20 amp, single phase, 50 Hz. Proceed as follows:

Electrical Hook-Up

CAUTION – Improper electrical installation will damage electronic components.

1. An electrician must provide electrical service as specified.
2. Using a voltmeter, check the voltage and color coding of each conductor at the electrical source.
3. Place the heater switch at the rear of the brewer in the "OFF" lower position.
4. Remove the front panel beneath the sprayhead.
5. Feed the cord through the strain relief and connect it to the terminal block.
6. Connect the brewer to the power source and verify the voltage at the terminal block before proceeding. Replace the front panel.
7. If plumbing is to be hooked up later be sure the brewer is disconnected from the power source. If plumbing has been hooked up, the brewer is ready for Initial Set-Up.

PLUMBING REQUIREMENTS

Models CW-APS & CWT-TS:

These models are completely portable and require no attached plumbing.

Models CWT-APS, CWTF-APS, CWT-TS, CWTF-TS, CWT-TSR & CWT-TSR

These brewers must be connected to a cold water system with operating pressure between 20 and 90 psi (138 and 620 kPa) from a 1/2" or larger supply line. A shut-off valve should be installed in the line before the brewer. Install a regulator in the line when pressure is greater than 90 psi (620 kPa) to reduce it to 50 psi (345 kPa). The water inlet fitting is 1/4" flare.

NOTE - Bunn-O-Matic recommends 1/4" copper tubing for installations of less than 25 feet and 3/8" for more than 25 feet from the 1/2" water supply line. A tight coil of copper tubing in the water line will facilitate moving the brewer to clean the countertop. Bunn-O-Matic does not recommend the use of a saddle valve to install the brewer. The size and shape of the hole made in the supply line by this type of device may restrict water flow.

This equipment must be installed to comply with the Basic Plumbing Code of the Building Officials and Code Administrators International, Inc. (BOCA) and the Food Service Sanitation Manual of the Food and Drug Administration (FDA).

INITIAL SET-UP

CAUTION - The brewer must be disconnected from the power source throughout the *Initial Set-up*, except when specified in the instructions.

1. Insert an empty funnel into the funnel rails.
2. Place an empty dispenser under the funnel.
3. Place the heater switch at the rear of the brewer in the "OFF" (lower) position and connect the brewer to the power source.
4. Fill the tank with water as directed:
 - 4A. **Models CW-APS & CW-TS:**

Pour three pitchers of tap water into the screened area on top of the brewer. Allow approximately two minutes between pitchers for water to flow into the tank. While the third pitcher of water is entering the tank, the tank will fill to capacity and the excess will flow from the sprayhead, out of the funnel, and into the dispenser.
 - 4B. **Models CWT-APS, CWTF-APS, CWT-TS, CWTF-TS, CWT-TSR & CWTF-TSR**

Connect the brewer to the power source, place the "ON/OFF" switch in the "ON" (upper) position, and momentarily press and release the start switch. Water will begin flowing into the tank. When water stops flowing into the tank, initiate a second and a third brew cycle. During the third brew cycle the tank will fill to its capacity and the excess will flow from the sprayhead, out of the funnel, and into the dispenser.
5. When the flow of water from the funnel stops, place the heater switch at the rear of the brewer in the "ON" (upper) position and wait approximately twenty minutes for the water in the tank to heat to the proper temperature. Some water will drip from the funnel during this time; this is due to expansion and should not occur thereafter.
6. Empty the dispenser and initiate another brew cycle as directed:
 - 6A. **Models CW-APS & CW-TS:**

Pour one pitcher of tap water into the screened area on top of the brewer.
 - 6B. **Models CWT-APS, CWTF-APS, CWT-TS, CWTF-TS, CWT-TSR & CWTF-TSR**

Place the "ON/OFF" switch in the "ON" (upper) position, and momentarily press and release the start switch.
7. Place the "ON/OFF" switch in the "OFF" (lower) position after water has stopped flowing from the funnel, and let the water in the tank reheat to the proper temperature.
8. Empty the dispenser and proceed as directed:
 - 8A. **Models CWA-PS & CW-TS:**

The brewer is now ready for use in accordance with the coffee brewing instructions on the next page.
 - 8B. **Models CWT-APS, CWTF-APS, CWT-TS, CWTF-TS, CWT-TSR & CWTF-TSR**

Place the "ON/OFF" switch in the "ON" (upper) position, and momentarily press and release the start switch. Check the water volume in the dispenser after water has stopped flowing from the funnel. It should be 64 ounces.
9. If not, disconnect the brewer from the power source, remove the front panel, and adjust the brew timer as required. See *Adjusting Brew Volumes*. Replace the front panel, connect the brewer to the power source, and allow the water to reheat, start, and measure another brew cycle.
10. Repeat step 9 until 64 oz water volume is achieved.
11. The brewer is now ready for use in accordance with the coffee brewing instructions on the following pages.

ADJUSTING BREW VOLUMES

CAUTION - Disconnect the power source from the brewer prior to the removal of any panel for the replacement or adjustment of any component.

NOTE: Prior to setting or modifying batch sizes, check that the brewer is connected to water supply, the tank is properly filled, and a funnel and server are in place.

1. **Modifying batch sizes.** To modify a batch volume, first check that the SET/LOCK switch is in the "SET" position on the circuit board.

To increase a batch size. Press and hold the START or BREW switch until three clicks are heard. Release the switch (Failure to release the switch within two seconds after the third click causes the volume setting to be aborted and previous volume setting will remain in memory) and press it again one or more times. Each time the switch is pressed, two seconds are added to the brew time period. Allow the brew cycle to finish in order to verify that the desired volume has been achieved.

To decrease a batch size. Press and release the START or BREW switch once for every two-second interval to be removed from the total brew time period; then immediately press and hold down the START or BREW switch until three clicks are heard. Release the switch. (Failure to release the switch within two seconds after the third click causes the volume setting to be aborted and previous volume setting will remain in memory). Allow the brew cycle to finish in order to verify that the desired volume has been achieved.

2. **Setting batch sizes.** To set a batch volume, first check that the SET/LOCK switch is in the "SET" position on the circuit board. Press and hold the START or BREW switch until three distinct clicks are heard, and then release the switch. (Failure to release the switch within two seconds after the third click causes the volume setting to be aborted and previous volume setting will remain in memory). View the level of the liquid being dispensed. When the desired level is reached, turn the ON/OFF switch to "OFF" (lower). The brewer remembers this volume and will continue to brew batches of this size until the volume setting procedure is repeated.

NOTE: When brewing coffee, batch volumes will decrease due to absorption by the coffee grounds.

3. **Setting programming disable feature.** If it becomes necessary to prevent anyone from changing brew times once programmed, you can set the SET/LOCK switch to the "LOCK" position. This will prevent any programming to be done until switch is once again placed in the "SET" position.

OPERATING CONTROLS

Models CW-APS & CW-TS:

These models function without operating controls.

Models CWT-APS, CWTF-APS, CWT-TS, CWTF-TS, CWT-TSR & CWTF-TSR

ON/OFF SWITCH

Placing the "ON/OFF" switch in the "OFF" (lower) position stops brewing. Stopping a brew cycle after it has been started will not stop the flow of water into the funnel until the tank syphons down to its proper level. Placing the switch in the "ON" (upper) position supplies power to enable the brew circuit.

START SWITCH

Momentarily pressing and releasing the switch starts a brew cycle when the "ON/OFF" switch is in the "ON" (upper) position.

NOTE – The "ON/OFF" switch must be in the "ON" (upper) position to initiate and complete a brew cycle.

COFFEE BREWING

1. Insert a BUNN® filter into the funnel.
2. Pour the fresh coffee into the filter and level the bed of grounds by gently shaking.
3. Slide the funnel into the funnel rails.
4. Place an empty dispenser beneath the funnel.
5. Operate the brewer as directed:

5A. Models CW-APS & CW-TS:

Pour one pitcher of tap water into the screened area on top of the brewer.

5B. Models CWT-APS, CWTF-APS, CWT-TS, CWTF-TS, CWT-TSR & CWTF-TSR

Place the "ON/OFF" switch in the "ON" (upper) position. Momentarily press and release the start switch.

6. When brewing is completed, simply discard the grounds and filter.

CLEANING

1. The use of a damp cloth rinsed in any mild, non-abrasive, liquid detergent is recommended for cleaning all surfaces on Bunn-O-Matic equipment.
2. Check and clean the sprayhead. The sprayhead holes must always remain open.
3. With the sprayhead removed, insert the deliming spring (provided) all the way into the sprayhead tube. When inserted properly, no more than two inches of spring should be visible. Saw back and forth five or six times.

NOTE – In hard water areas, this may need to be done daily. It will help prevent liming problems in the brewer and takes less than a minute.

TROUBLESHOOTING

A troubleshooting guide is provided to suggest probable causes and remedies for the most likely problems encountered. If the problem remains after exhausting the troubleshooting steps, contact the Bunn-O-Matic Technical Service Department.

- Inspection, testing, and repair of electrical equipment should be performed only by qualified service personnel.
- All electronic components have 120 volt ac and low voltage dc potential on their terminals. Shorting of terminals or the application of external voltages may result in board failure.
- Intermittent operation of electronic circuit boards is unlikely. Board failure will normally be permanent. If an intermittent condition is encountered, the cause will likely be a switch contact or a loose connection at a terminal or crimp.
- Solenoid removal requires interrupting the water supply to the valve. Damage may result if solenoids are energized for more than ten minutes without a supply of water.
- The use of two wrenches is recommended whenever plumbing fittings are tightened or loosened. This will help to avoid twists and kinks in the tubing.
- Make certain that all plumbing connections are sealed and electrical connections tight and isolated.
- This brewer is heated at all times. Keep away from combustibles.

- WARNING** –
- Exercise extreme caution when servicing electrical equipment.
 - Unplug the brewer when servicing, except when electrical tests are specified.
 - Follow recommended service procedures
 - Replace all protective shields or safety notices

PROBLEM	PROBABLE CAUSE	REMEDY
Brew cycle will not start (CWT-APS, CWTF-APS, CWT-TS, CWTF-TS, CWT-TSR & CWTF-TSR)	1. No water 2. No power or incorrect voltage to the brewer	Water lines and valves to the brewer must be open. (A1) Check the terminal block for 120 volts across the black and white terminals on two wire 120 volt brewers. (A2) Check the terminal block for 120 volts across the red and white terminals and the black and white terminal on three wire 120/240 volt brewers. (A3) Check the terminal block for 200 volts on "B Series" brewers or 240 volts on "A Series" brewers across the red and black terminals. (A4) Check the terminal block for 100 volts on "B Series" brewers across the white and black terminals. (B) Check circuit breakers or fuses.

TROUBLESHOOTING (cont.)

PROBLEM

Brew cycle will not start (cont.)
(CWT-APS, CWTF-APS, CWT-TS,
CWTF-TS, CWT-TSR & CWTF-
TSR)

PROBABLE CAUSE

3. ON/OFF Switch
4. Start Switch
5. Timer
6. Solenoid Valve
7. Water strainer/flow control
(.222 GPM)

REMEDY

- Refer to *Service* - ON/OFF Switch for testing. See page 18
- Refer to *Service* - Start Switch for testing procedures. See page 20
- Refer to *Service* - Timer for testing procedures. See page 25 or 27
- Refer to *Service* - Solenoid Valve for testing procedures. See page 19
- (A) Direction of flow arrow must be pointing towards brewer.
- (B) Remove the strainer/flow control and check for obstructions. Clear or replace.

Water is not hot

1. Tank Heater Switch
2. Limit Thermostat
CAUTION - Do not eliminate or bypass limit thermostat. Use only BOM replacement part #29329.1000

3. Control Thermostat

4. Tank Heater

- Refer to *Service* - Tank Heater Switch for testing procedures. See page 23
- Refer to *Service* - Limit Thermostat for testing procedures. See page 17
- Refer to *Service* - Control Thermostat for testing procedures. See page 16
- Refer to *Service* - Tank Heater for testing procedures. See page 21

TROUBLESHOOTING (cont.)

PROBLEM

Inconsistent beverage level in dispenser

PROBABLE CAUSE

1. Strainer /flow control (.222 GPM) (CWT-APS, CWTF-APS, CWT-TS, CWTF-TS, CWT-TSR & CWTF-TSR)

2. Syphon System

3. Lime Build-up

CAUTION - Tank and tank components should be delimed regularly depending on local water conditions. Excessive mineral build-up on stainless steel surfaces can initiate corrosive reactions resulting in serious leaks.

4. Water Pressure (CWT-APS, CWTF-APS, CWT-TS, CWTF-TS, CWT-TSR & CWTF-TSR)

REMEDY

(A) Direction of flow arrow must be pointing towards the brewer.

(B) Remove the strainer/flow control and check for obstruction. Clear or replace.

The brewer must be level or slightly lower in front to syphon properly.

Inspect the tank assembly for excessive lime deposits. Delime as required.

The water pressure to the brewer must be at least 20 psi (138 kPa).

Consistently low beverage level in the dispenser (CWT-APS, CWTF-APS, CWT-TS, CWTF-TS, CWT-TSR & CWTF-TSR)

1. Timer

2. Strainer/flow Control (.222 GPM)

Timer must activate solenoid for at least two minutes and fifteen seconds.

(A) Direction of flow arrow must be pointing towards brewer.

(B) Remove the strainer/flow control and check for obstructions. Clear or replace.

Spitting or excessive steaming

1. Lime Build-up

CAUTION - Tank and tank components should be delimed regularly depending on local water conditions. Excessive mineral build-up on stainless steel surfaces can initiate corrosive reactions resulting in serious leaks.

Inspect tank assembly for excessive lime deposits. Delime as required.

TROUBLESHOOTING (cont.)

PROBLEM

PROBABLE CAUSE

REMEDY

Spitting or excessive steaming (cont.)

2. Control Thermostat

Refer to *Service* - Control Thermostat for testing procedures. See page 16

Dripping from sprayhead

1. Syphon System

The brewer must be level or slightly lower in front to syphon properly.

2. Lime Build-up

CAUTION - Tank and tank components should be delimed regularly depending on local water conditions. Excessive mineral build-up on stainless steel surfaces can initiate corrosive reactions resulting in serious leaks.

Inspect the tank assembly for excessive lime deposits. Delime as required.

3. Solenoid Valve (CWT-APS, CWTF-APS, CWT-TS, CWTF-TS, CWT-TSR & CWTF-TSR)

Remove the solenoid valve and clear any obstructions. Rebuild or replace the valve if necessary. See page 19

Water flows into tank continuously (ON/OFF Switch "ON")

1. Timer (CWT-APS, CWTF-APS, CWT-TS, CWTF-TS, CWT-TSR & CWTF-TSR)

Refer to *Service* - Timer for testing procedures. See page 25 or 27

Water flows into tank continuously (ON/OFF Switch "OFF")

1. Solenoid Valve (CWT-APS, CWTF-APS, CWT-TS, CWTF-TS, CWT-TSR & CWTF-TSR)

Remove the Solenoid Valve and clean any obstruction. Rebuild or replace the valve if necessary. See page 19

Beverage overflows dispenser

1. Dispenser

The dispenser must be completely empty before starting a brew cycle.

2. Timer (CWT-APS, CWTF-APS, CWT-TS, CWTF-TS, CWT-TSR & CWTF-TSR)

Refer to *Service* - Timer for testing procedures. See page 25 or 27

3. Solenoid Valve (CWT-APS, CWTF-APS, CWT-TS, CWTF-TS, CWT-TSR & CWTF-TSR)

Remove the Solenoid Valve and clean any obstruction. Rebuild or replace the valve if necessary. See page 19

TROUBLESHOOTING (cont.)

PROBLEM

PROBABLE CAUSE

REMEDY

Weak beverage

1. Filter Type

BUNN® paper filters must be used for proper extraction.

2. Coffee Grind

A fine or drip grind must be used for proper extraction.

3. Sprayhead

A six-hole stainless steel sprayhead must be used for proper extraction.

4. Funnel Loading

The BUNN® paper filter must be centered in the funnel and the bed of ground leveled by gentle shaking.

5. Water Temperature

Place an empty funnel on an empty dispenser beneath the sprayhead. Initiate a brew cycle and check the water temperature immediately below the sprayhead with a thermometer. The reading should not be less than 195°F. Adjust the control thermostat to increase the water temperature. Replace if necessary.

Dry coffee grounds remain in the funnel

1. Funnel Loading

The BUNN® paper filter must be centered in the funnel and the bed of grounds leveled by gently shaking.

Brewer is making unusual noises (CWT-APS, CWTF-APS, CWT-TS, CWTF-TS, CWT-TSR, CWTF-TSR)

1. Solenoid

The nut on the solenoid must be tight or it will vibrate during operation.

2. Plumbing Lines

Plumbing lines should not rest on the counter top.

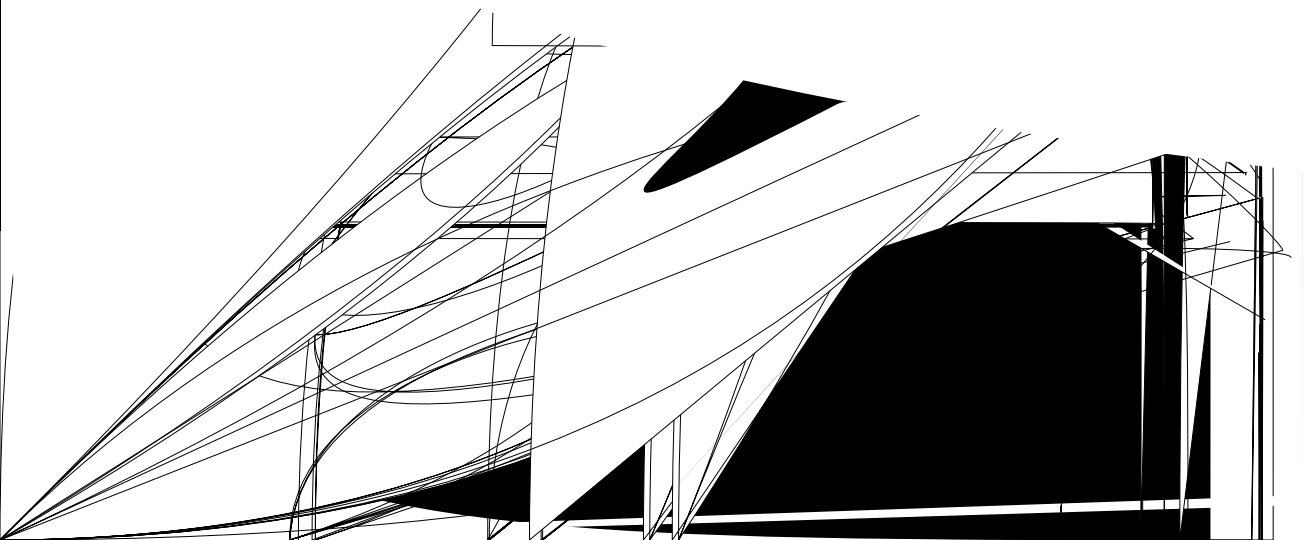
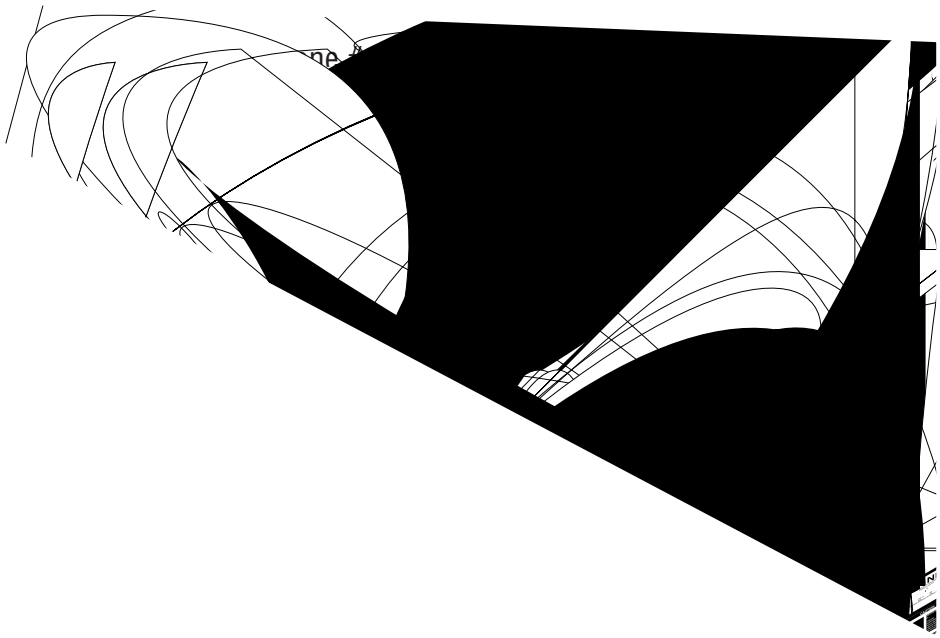
3. Water Supply

(A) The brewer must be connected to a cold water line.

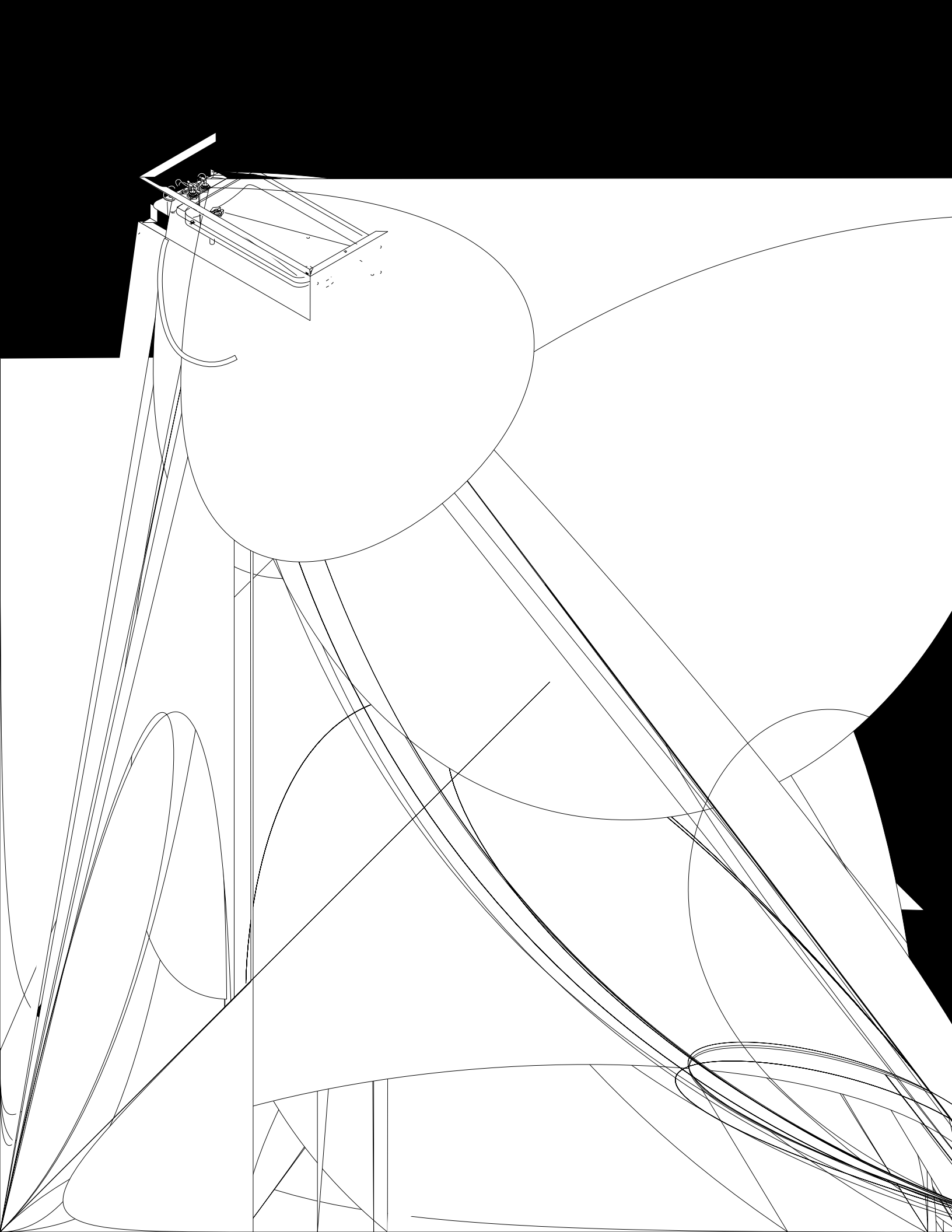
(B) Water pressure to the brewer must not exceed 90 psi (620 kPa). Install a regulator if necessary to lower the working pressure to approximately 50 psi (345 kPa).

TROUBLESHOOTING (cont.)

PROBLEM	PROBABLE CAUSE	REMEDY
Brewer is making unusual noises (cont.)(CWT-APS, CWTF-APS, CWT-TS, CWTF-TS, CWT-TSR, CWTF-TSR)	4. Tank Heater	Remove and clean lime off the tank heater. See page 21
Brewer is making unusual noises (CW)	1. Tank Heater	Remove and clean lime off the tank heater. See page 21



CWT-TSR



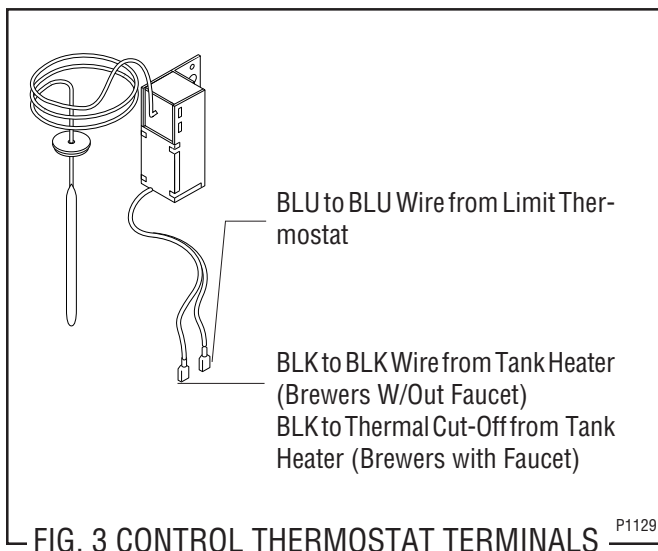
SERVICE (cont.)
CONTROL THERMOSTAT (cont.)

Removal and Replacement:

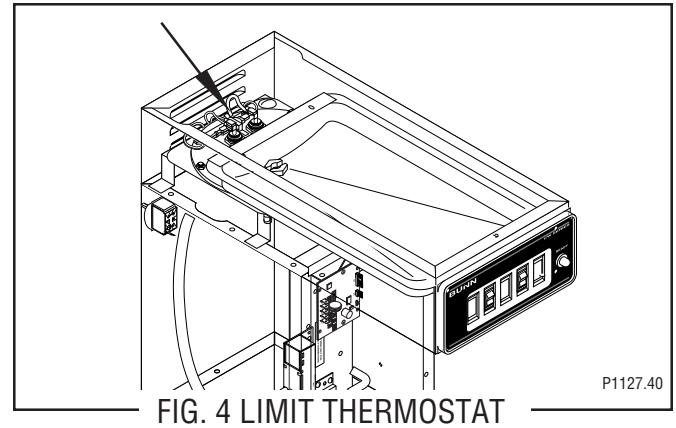
1. Remove wires from control thermostat leads.
2. Remove the thermostat capillary bulb by firmly pulling up on the capillary at the tank lid. This will disengage the grommet from the tank lid.
3. Early Models: Remove the two #8-32 screws securing control thermostat bracket mounted inside the hood.
 Late Models: Remove the one #8-32 screw securing the control thermostat to the component bracket in the trunk.
4. Slide the grommet to the line 4.5" above the bulb on the new capillary tube.
5. Insert the capillary bulb through the hole in the tank lid and press the grommet firmly and evenly so that the groove in the grommet fits into the tank lid.
6. Carefully bend the capillary tube so that the tube and bulb inside the tank are in the vertical position.

NOTE - The capillary tube must be clear of any electrical termination and not kinked.

7. Early Models: Using two #8-32 screws secure the control thermostat inside the hood.
 Late Models. Using one #8-32 screw secure the control thermostat to the component bracket inside the trunk.
8. Refer to Fig. 3 when reconnecting the wires.
9. Adjust the control thermostat as required.



LIMIT THERMOSTAT



Location:

The limit thermostat is located inside the rear of the hood on the tank lid.

Test Procedures:

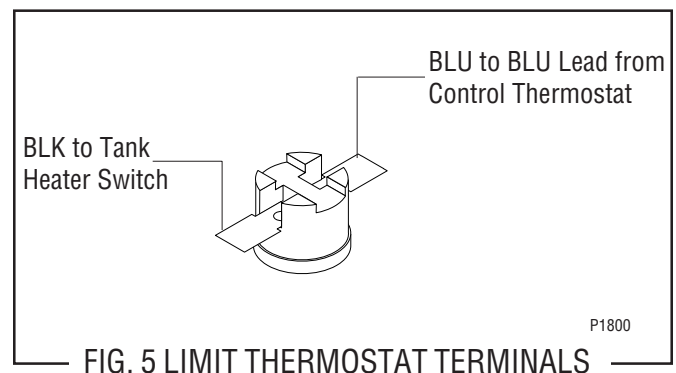
1. Disconnect the brewer from the power source.
2. Disconnect the blue and black wires from the limit thermostat.
3. With an ohmmeter, check for continuity across the limit thermostat terminals.

If continuity is present as described, the limit thermostat is operating properly.

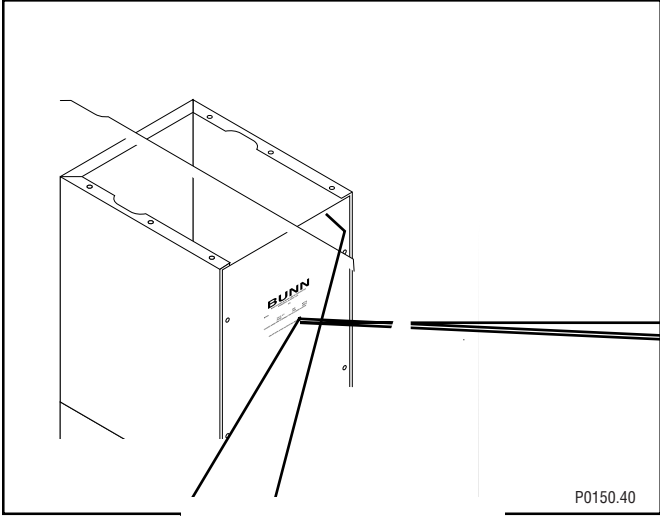
If continuity is not present as described, replace the limit thermostat.

Removal and Replacement:

1. Remove all wires from limit thermostat terminals.
2. Carefully slide the limit thermostat out from under the retaining clip and remove limit thermostat.
3. Carefully slide the new limit thermostat into the retaining clip.
4. Refer to Fig. 5 when reconnecting the wires.



SERVICE (cont.)
ON/OFF SWITCH



P0150.40



WHI to Terminal Block (White Insert on 100V, 120V or 120V/240V Models)
Red to Terminal Block (Red Insert on 200V or 240V Models)

#2

BLK to Terminal Block (Black Insert)

#

WHI/RED to Timer P3

P1131

SERVICE (cont.)

SOLENOID VALVE

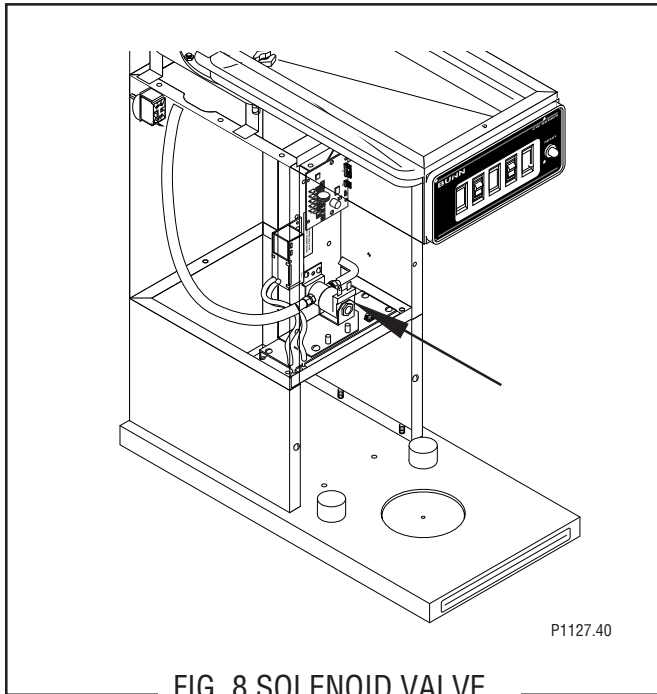


FIG. 8 SOLENOID VALVE

Location:

The solenoid valve is located inside the trunk on the center lower part of the component bracket.

Test Procedures:

1. Disconnect the brewer from the power source.
2. Disconnect the white and black wires from the solenoid valve. With the "ON/OFF" switch in the "ON" (upper) position press the start switch.
3. With a voltmeter, check the voltage across the white and black wires. Connect the brewer to the power source. The indication must be:
 - a) 120 volts ac for two wire 120 volt models and three wire 120/240 volt models.
 - b) 200 to 240 volts ac for two wire 200 or 240 volt models.
 - c) 100 volts ac for two wire 100 volt models.
4. Disconnect the brewer from the power source,

If voltage is present as described, proceed to #5
If voltage is not present as described, refer to *Wiring Diagrams* and check brewer wiring harness.

5. Check for continuity across the solenoid valve coil terminals.

If continuity is present as described, reconnect the white and black wire from the timer.

If continuity is not present as described, replace the solenoid valve.

6. Check the solenoid valve for coil action. Connect the brewer to the power source. With "ON/OFF" switch in the "ON" (upper) position press start switch and listen carefully in the vicinity of the solenoid valve for a "clicking" sound as the coil magnet attracts.
7. Disconnect the brewer from the power source.

If the sound is heard as described and water will not pass through the solenoid valve, there may be a blockage in the water line before the solenoid valve, or the solenoid valve may require inspection for wear and removal of waterborne particles.

If the sound is not heard as described, replace the solenoid valve.

Removal and Replacement:

1. Remove the white and black wires from the solenoid valve.
2. Turn off the water supply to the brewer.
3. Disconnect the water lines to and from the solenoid valve.
4. Remove the two #8-32 screws securing the solenoid mounting bracket to the component bracket. Remove solenoid bracket and solenoid valve as an assembly.
5. Remove the two #10-32 screws and lockwashers securing the solenoid valve to the solenoid bracket.
6. Using two #10-32 screws and lockwashers install new solenoid valve on solenoid mounting bracket.
7. Using two #8-32 screws install solenoid valve and bracket to the component bracket.
8. Securely fasten the water lines to and from the solenoid valve.
9. Refer to Fig. 9 when reconnecting the wires.

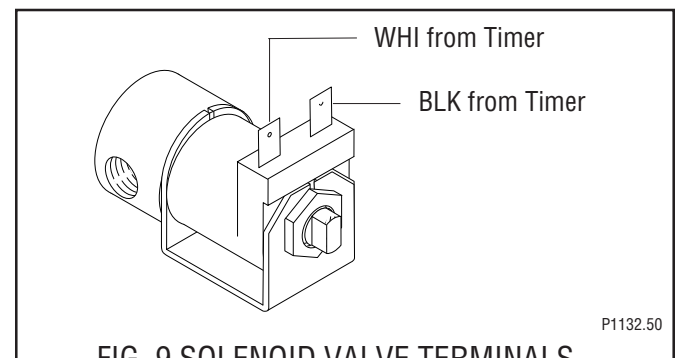
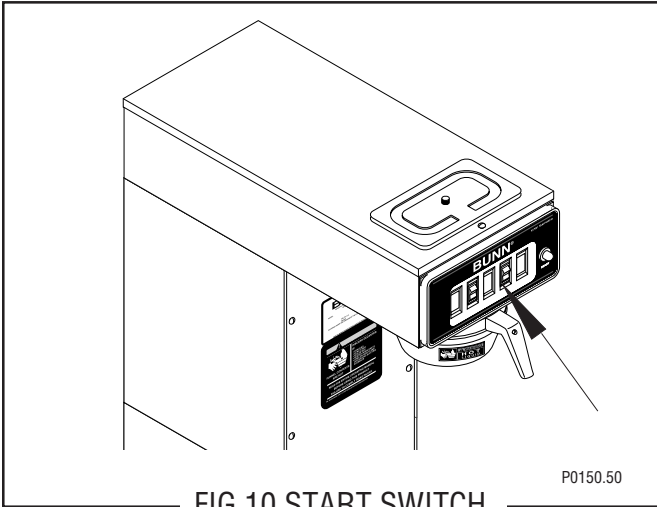


FIG. 9 SOLENOID VALVE TERMINALS

SERVICE (cont.)

START SWITCH



If continuity is present as described, reconnect the blue wire to the top terminal and the white/red wire to the bottom terminal.

If continuity is not present as described, replace the switch.

Removal and Replacement:

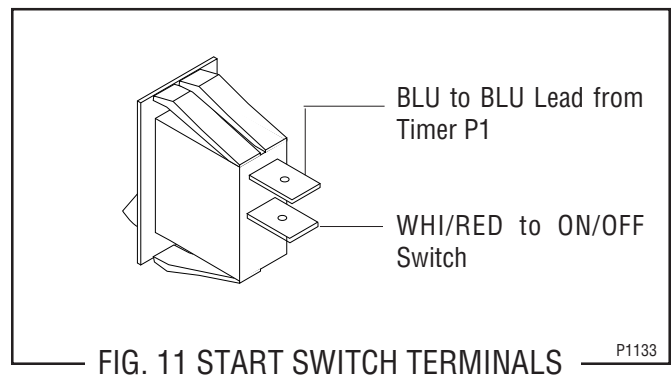
1. Remove the blue wire and white/red wire from the start switch.
2. Compress the clips inside the hood and gently push the switch through the opening.
3. Push new switch into the opening and spread the clips to hold the start switch in the hood.
4. Refer to Fig. 11 when reconnecting the wires.

Location:

The start switch is located in the front of the hood just to the right of center.

Test Procedure:

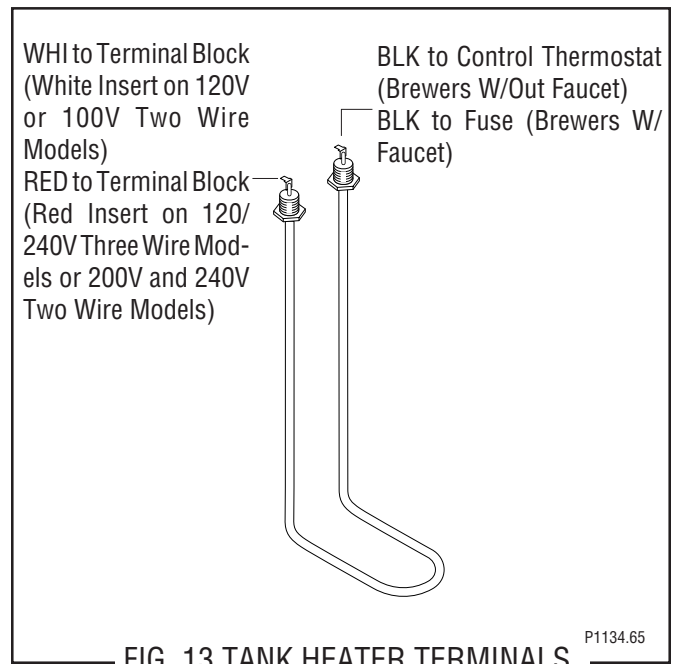
1. Disconnect the brewer from the power supply.
2. Disconnect the blue wire from the top switch terminal and the white/red wire from the bottom switch terminal.
3. Check for continuity across the two terminals on the switch when it is held in the lower position. Continuity must not be present across these terminals in the upper position.



SERVICE (cont.)

TANK HEATER (Cont.)

10. Install new tank heater with gaskets on the tank lid and secure with two hex nuts.
11. Install tank lid with limit thermostat, sprayhead tube, tank heater, coil assembly (brewers with faucet) and control thermostat with bracket (early brewers only) using eight #8-32 hex nut.
12. Reconnect the inlet and outlet water lines to the faucet coil assembly.
13. Secure spayhead tube to hood using a hex nut.
14. Install sprayhead.
15. Reconnect the wires to the limit thermostat, tank heater and control thermostat. See limit thermostat and control thermostat sections in this manual when reconnecting wires.
16. Install fill basin, secure with tank inlet fitting and gasket. Insert water supply line through grommet in fill basin.
17. Refer to Fig. 13 when reconnecting the tank heater wires.



SERVICE (cont.)

TANK HEATER SWITCH

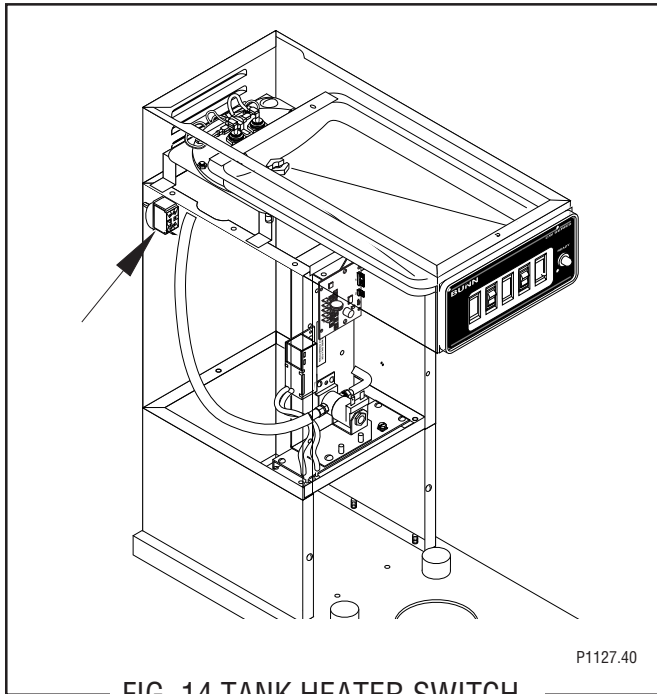


FIG. 14 TANK HEATER SWITCH

Location:

The tank heater switch is located on the rear of the brewer on the upper left side of the trunk.

Test Procedure:

1. Disconnect the brewer from the power source.
2. Disconnect the black wire from the limit thermostat.
3. With the tank heater switch in the "ON"(upper) position, and with a voltmeter, check the voltage between the black wire removed from the limit thermostat and the white wire or red wire on the tank heater. Connect the brewer to the power source. The indication must be:
 - a) 120V volts ac on two wire 120 volt models.
 - b) 240 volts ac on three wire 120/240 volt models.
 - c) 200 to 240 volts ac on 200 volt or 240 volt models.
 - d) 100 volts ac for 100 volt models.
4. Disconnect the brewer from the power source.

If voltage is present as described, proceed to #5.
If voltage is not present as described, refer to the *Wiring Diagrams* and check the brewer wiring harness.

5. Check for continuity between the black wire removed from the limit thermostat and the black insert on the terminal block. with the tank heater switch in the "ON" upper position. Continuity should not be present in the "OFF" lower position.

If continuity is present as described, the tank heater switch is operating properly.

If continuity is not present as described, replace the tank heater switch.

Removal and Replacement:

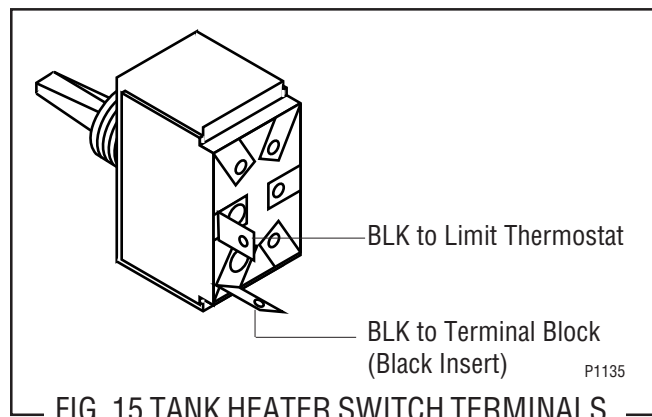
1. Shut off and disconnect the incoming water supply to the brewer.
2. On automatic brewers gently remove the fill tube from back of fill basin.
3. Remove the tank inlet fitting securing fill basin the tank lid. Remove fill basin and gasket. Set all three parts aside for reassembly.
4. On brewers with faucets, disconnect the water supply to coil assembly and remove the tube from the tank to the faucet.
5. Remove sprayhead and hex nut securing sprayhead tube to the hood. Set aside for reassembly.
6. Disconnect the wires on the limit thermostat and the tank heater and the control thermostat (early models).
7. Gently pull the thermostat sensor and grommet from the tank lid.
8. Insert a tube to the bottom of the tank and syphon ALL of the water out.
9. Gently reinstall the thermostat sensor and grommet in the tank lid.
10. Remove the two #8-32 screws securing the tank assembly to the hood.
11. Lift tank and components out as an assembly and set aside for reassembly.
12. Disconnect the two black wires from the tank heater switch.

SERVICE (cont.)

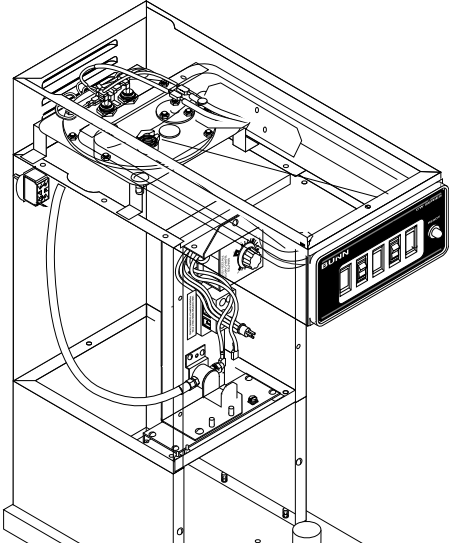
TANK HEATER SWITCH (cont.)

13. Remove the plastic facenut, hex facenut and the switch indicator/guard bracket that secures tank heater switch to the rear of the brewer. Remove switch and discard.
14. Insert new tank heater switch through the hole in the upper left rear of the trunk and secure with switch indicator/guard bracket, hex facenut and plastic facenut.
15. Reconnect the two black wires the tank heater switch terminals.
16. Set tank assembly inside the hood on mounting brackets and secure with two #8-32 screws.
17. Reconnect the wires to the limit thermostat, tank heater and the control thermostat. Refer to limit thermostat, tank heater and control thermostat sections in this manual when reconnecting wires.
18. On brewers with a faucet, reinstall the faucet tube and reconnect the water supply tube to the coil assembly.

19. Secure the sprayhead tube to the hood using hex nut.
20. Install sprayhead.
21. Install fill basin, inlet gasket and secure to tank lid with tank inlet fitting.
22. Carefully install water fill tube into the back of the fill basin.
23. Reconnect and turn on the incoming water supply.
24. Refer to FIG. 15 when reconnecting the wires.



TIMER(Early Models)



SERVICE (cont.)

TIMER (cont.)

If voltage is present as described, the brew timer is operating properly. Reset the timer dial as required, to obtain the desired brew volume.

If voltage is not present as described, replace the timer.

Removal and Replacement:

1. Separate all connectors between the brewer wiring harness and the timer.
2. Remove the one #8-32 screw securing timer to component bracket.
3. Install new timer circuit board as described in *Late Model Timer* section on the following pages.
4. Refer to Fig. 19 when reconnecting the wires.
5. Install the Timer Setting decal, provided with the replacement timer kit, below the schematic on the inside of the front access panel.
6. Adjust the timer as required. Refer to *Late Model Timer* section on the following pages.

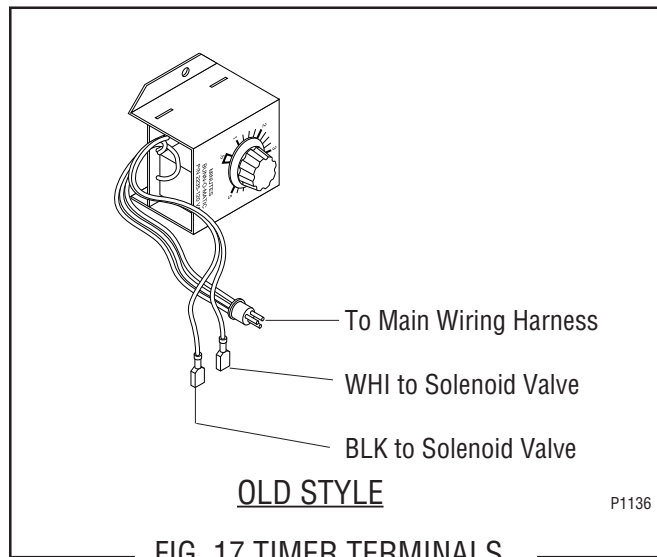
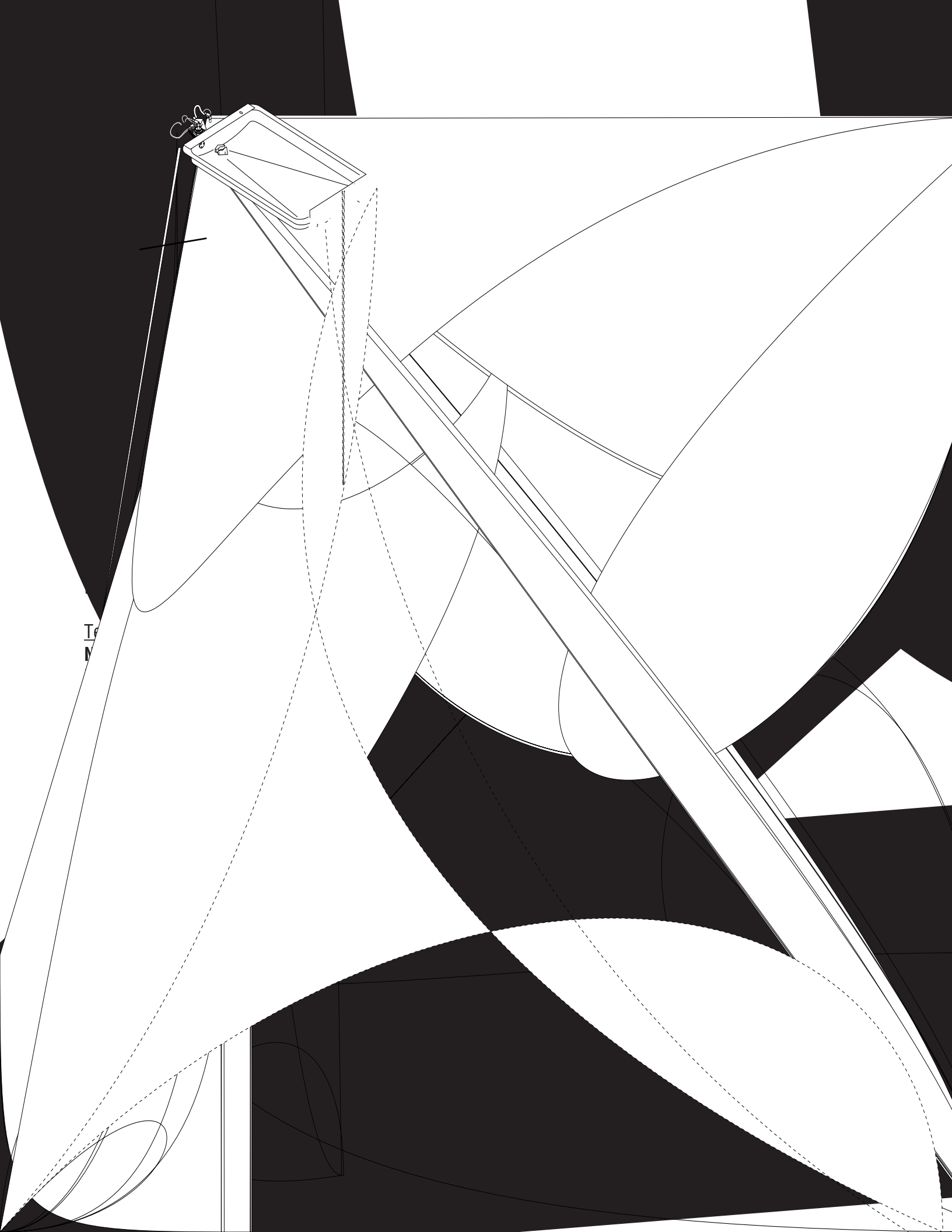


FIG. 17 TIMER TERMINALS



1/2
N

SERVICE (cont.)

DIGITAL BREW TIMER (Late Models)(cont.)

Timer Setting:

NOTE: Prior to setting or modifying volumes, check that the brewer is connected to water supply, the tank is properly filled, and a funnel and server are in place.

NOTE: All volume settings must be done with the sprayhead installed.

1. **Modifying brew volumes.** To modify a brew volume, first check that the SET/LOCK switch is in the “SET” position on the circuit board.

To increase a brew volume, place the ON/OFF switch in the “ON” position, press and hold the START switch until three clicks are heard. Release the switch and press it again one or more times. (Failure to release the switch within two seconds after the third click causes the volume setting to be aborted and previous volume setting will remain in memory.) Each time the switch is pressed, two seconds are added to the brew time period. Allow the brew cycle to finish in order to verify that the desired volume has been achieved.

To decrease a brew volume, place the ON/OFF switch in the “ON” position, press and release the START switch once for every two-second interval to be removed from the total brew time period; then immediately press and hold down the START switch until three clicks are heard. Release the switch. (Failure to release the switch within two seconds after the third click causes the volume setting to be aborted and previous volume setting will remain in memory). Allow the brew cycle to finish in order to verify that the desired volume has been achieved.

2. **Setting brew volumes.** To set a brew volume, first check that the SET/LOCK switch is in the “SET” position on the circuit board. Place the ON/OFF switch in the “ON” position, press and hold the START switch until three distinct clicks are heard and then release the switch. (Failure to release the switch within two seconds after the third click causes the volume setting to be aborted and previous volume setting will remain in memory.)

View the level of the liquid being dispensed. When the desired level is reached, turn the ON/OFF switch to “OFF”.

NOTE: Several ounces of water will continue to sy-

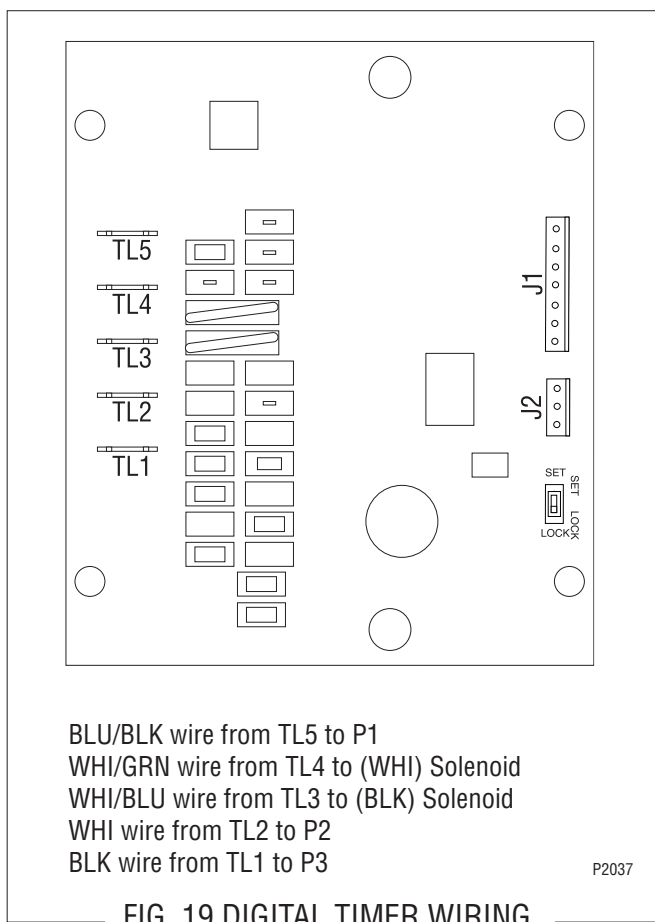
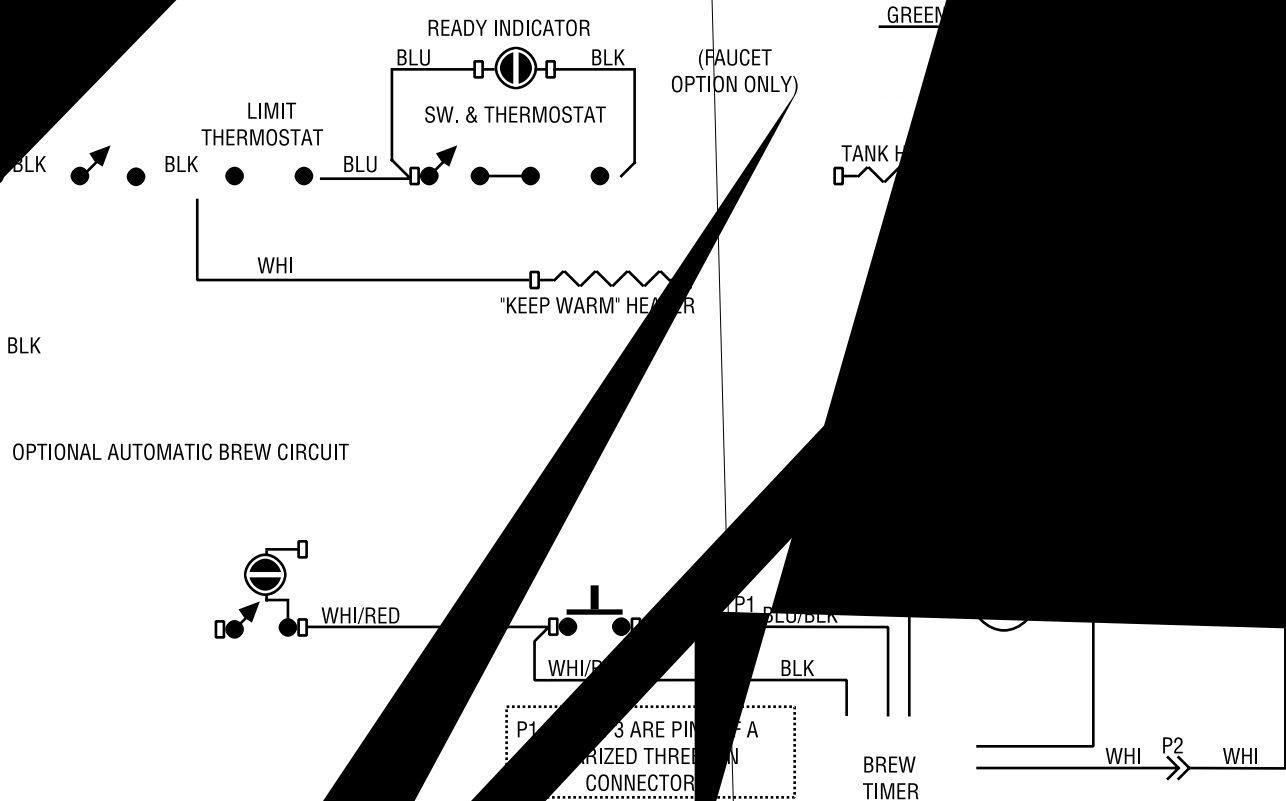


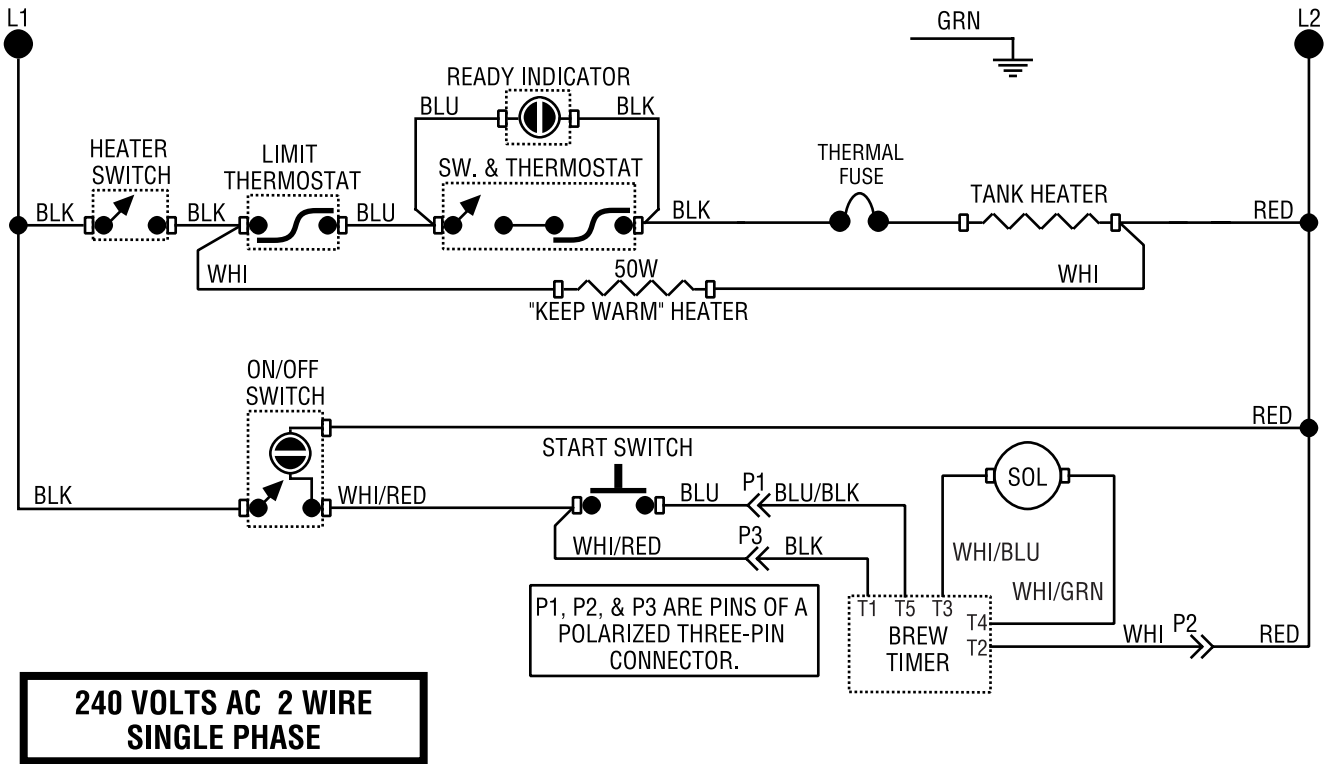
FIG. 19 DIGITAL TIMER WIRING

SCHEMATIC WIRING DIAGRAM CW/CWT/CWTF - APS/TS/TSR



120/240 VOLTS AC 50/60 HZ
 120 VOLTS AC 2
 SINGLE PH

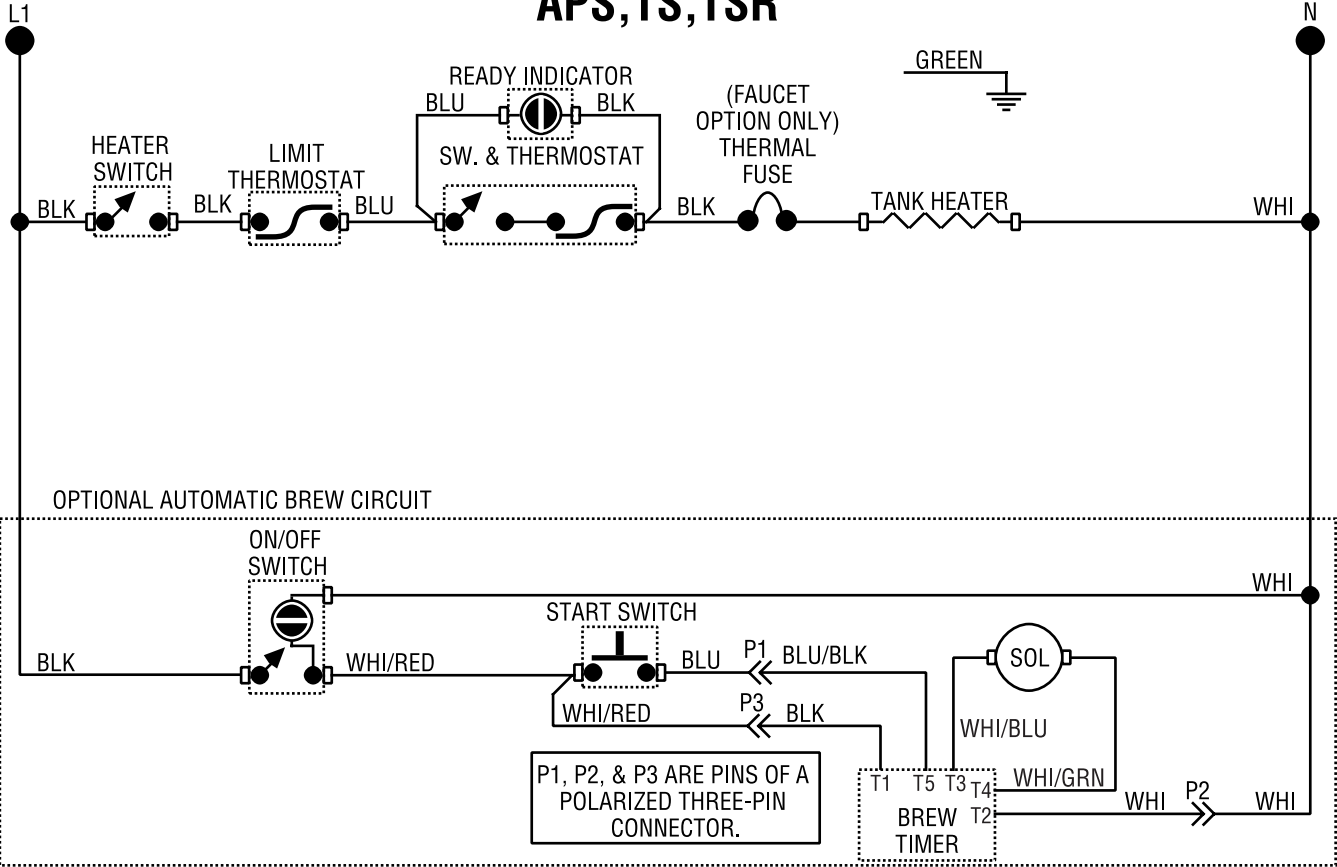
SCHEMATIC WIRING DIAGRAM CWTF-TSR



P1, P2, & P3 ARE PIN

**220-240 VOLTS AC 2 WIRE
SINGLE PHASE**

SCHEMATIC WIRING DIAGRAM FOR CWB, CWTB, CWTFB - APS, TS, TSR



**100 VOLTS AC 2 WIRE
SINGLE PHASE**

SCHEMATIC WIRING DIAGRAM FOR CWB, CWTB, CWTFB - APS, TS, TSR

