

POOL

MODELS: R185B THROUGH R405B

CATALOG NO. 9100.555

Effective: 07-16-07

Replaces: 02-06-07

RAYPAK REPLACEMENT PARTS

MODEL SIZES: R185B, R265B, R335B, R405B (ATMOSPHERIC, LOW NOx)

**MODEL TYPES: RP2100 w/CAPRON & ASME CAST IRON HEADERS,
DIGITAL CONTROLS**

DATES OF MANUFACTURE: MODELS R185B THRU R405B IID 10-20-03 THRU 10-21-04
MODELS R185B THRU R405B MV 01-05-04 THRU 10-21-04

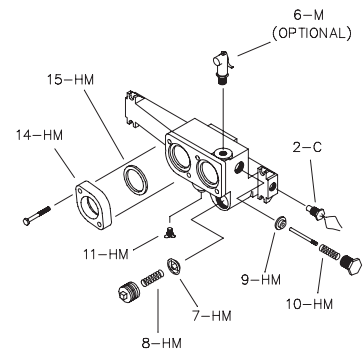
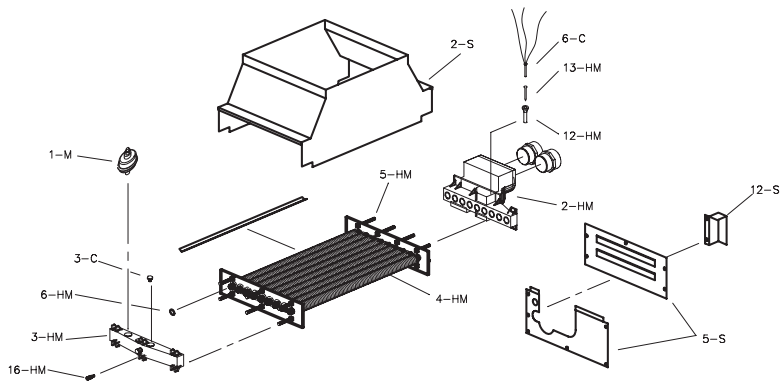
THE PARTS LISTED ARE FOR STANDARD EQUIPMENT FOR THIS MODEL TYPE. RAYPAK RESERVES THE RIGHT TO SUBSTITUTE, DELETE OR CHANGE ANY PART WITHOUT NOTIFICATION. THE ADDITION OF OPTIONS MAY ALSO CHANGE SOME OF THE PARTS. ORDER REPLACEMENT PARTS FROM ACTUAL HEATER COMPONENTS.



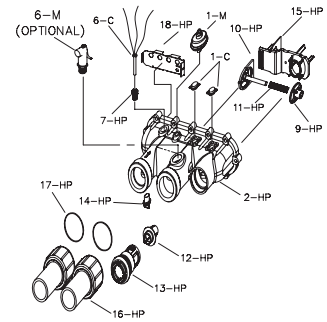
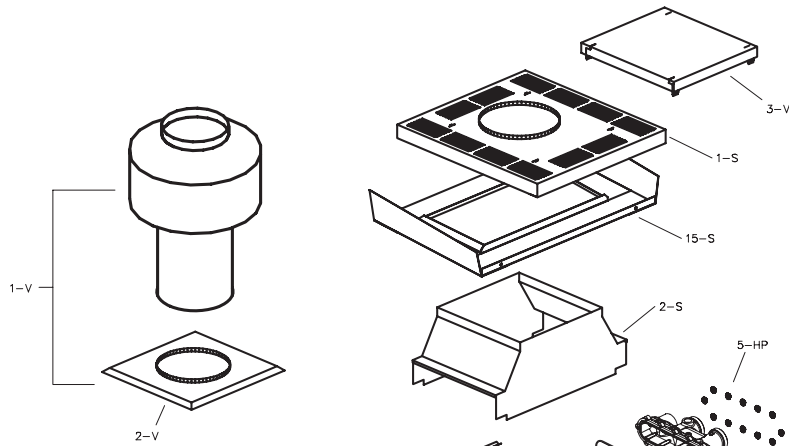
FOR DETAILED INSTRUCTIONS, SEE "HOW TO USE YOUR RAYPAK ILLUSTRATED PARTS LIST",
CATALOG NO. 9001.10



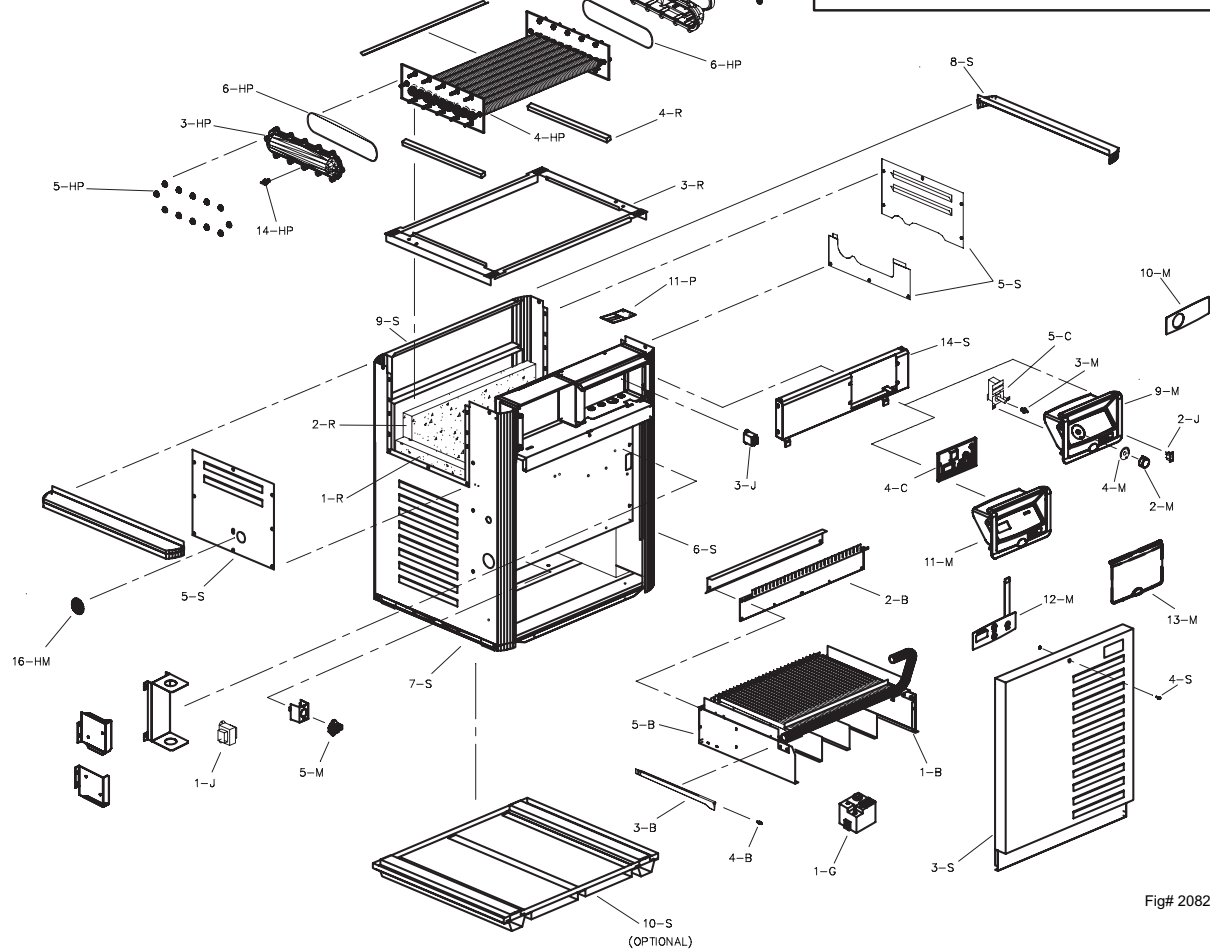
Raypak, Inc., 2151 Eastman Avenue, Oxnard, CA 93030
(805) 278-5300 Fax (800) 872-9725
Litho In U.S.A.



⚠ FOR UNITS WITH ASME METAL HEADERS ⚠

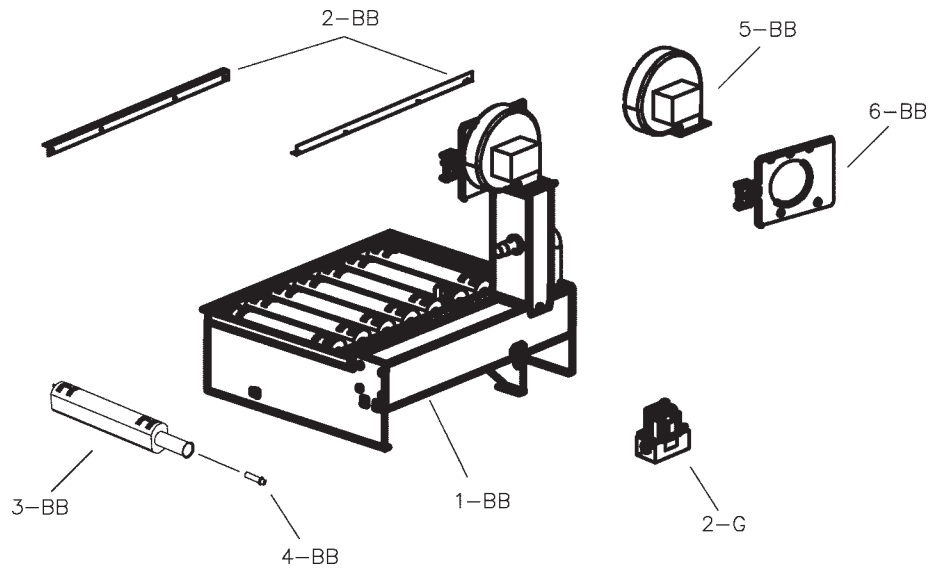


FOR UNITS WITH POLYMER HEADERS

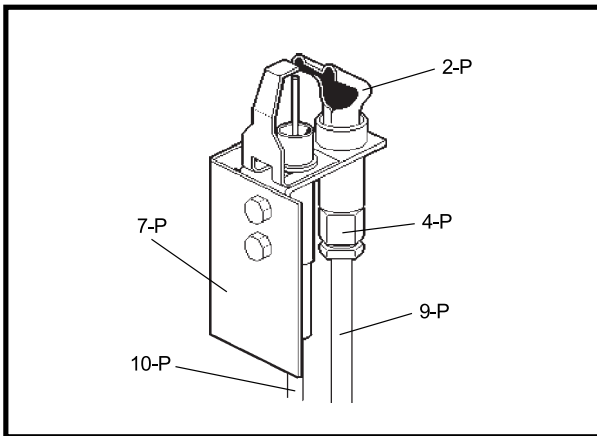


Fig# 208225

FOR UNITS WITH
LOW NO_x BURNER TRAY

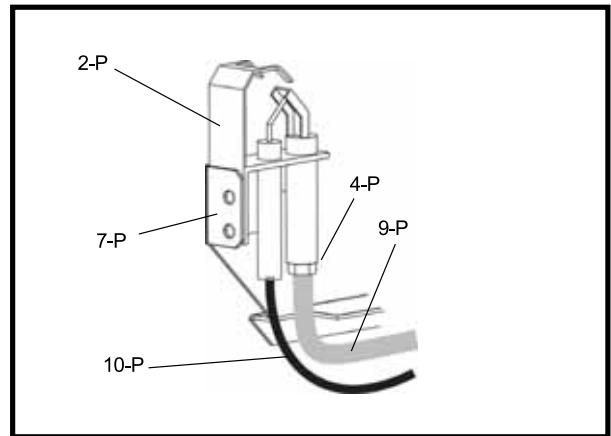


PILOT ASSEMBLIES



Honeywell IID Atmospheric units
for units produced prior to 06/01/2000

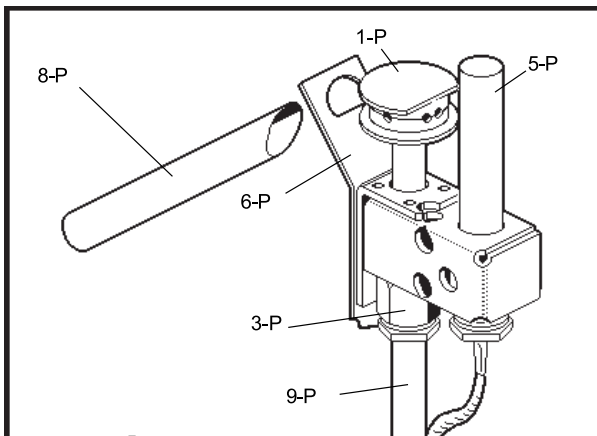
Fig. #8124



Honeywell IID Low NO_x and Atmospheric units
for units produced after to 06/01/2000

Fig. #9369

Use KIT Number 008155F for Low NO_x units
Use KIT Number 002003F for Atmospheric units



Honeywell MV

Fig. #8107

CALL OUT	DESCRIPTION	185B	265B	335B	405B
B	BURNER TRAY (Atmospheric)				
1-B	Burner Tray w/Burners (sea level)*	005213F	005214F	005215F	005216F
	Burner Tray w/o Burner (sea level)*	005217F	005218F	005219F	005220F
	Burner Tray w/Gas Valve Nat Millivolt	005221F	005222F	005223F	005224F
	Burner Tray w/Gas Valve Pro Millivolt	005225F	005226F	005227F	005228F
	Burner Tray w/Gas Valve Nat IID	005229F	005230F	005231F	005232F
	Burner Tray w/Gas Valve Pro IID	005233F	005234F	005235F	005236F
2-B	Burner Spacer/Hold Down Kit	005237F	005238F	005239F	005240F
3-B	Burner	301210/13	301210/19	301210/24	301210/29
4-B	Burner Orifice Nat. #51 (Sea Level)*	350080F/13	350080F/19	350080F/24	350080F/29
	Burner Orifice Pro. #57 (Sea Level)*	350083F/13	350083F/19	350083F/24	350083F/29
5-B	Burner Tray w/o Manifold w/o burners	005265F	005266F	005267F	005268F
BB	BURNER TRAY (Fan Assisted Low Nox)				
1-BB	Burner Tray w/Burners (0-5000)	007994F	007995F	007996F	007997F
	Burner Tray w/o Burner (0-5000)	007998F	007999F	008000F	008001F
2-BB	Burner Hold Down Kit	008002F	008003F	008004F	008005F
3-BB	Burner	309255/3	309255/5	309255/6	309255/7
4-BB	Burner Orifice Nat. #30 (0-5000)*	351510/3	351510/5	351510/6	351510/7
	Burner Orifice Nat. #31 (above 5000 ft.)*	351523/3	351523/5	351523/6	351523/7
5-BB	Blower	008080F	008080F	008080F	008080F
6-BB	Air Shutter	008133F	008134F	008134F	008172F
C	CONTROLS				
1-C	Thermostat Auto Reset 135 Deg Surface Mount	006725F	006725F	006725F	006725F
2-C	AGS 135° (Auto Gas Shut-Off) - Red Epoxy	600892B	600892B	600892B	600892B
3-C	High Limit 140° - Black Epoxy	600893B	600893B	600893B	600893B
4-C	P. C. Board/Control IID Units	010253F	010253F	010253F	010253F
5-C	Thermostat Control MV Units Mechanical	003346F	003346F	003346F	003346F
6-C	Temperature Sensor IID Units	009577F	009577F	009577F	009577F
G	GAS VALVE				
1-G	Combination Valve - Nat. MV	003898F	003898F	003898F	003898F
	Combination Valve - Pro. MV	003899F	003899F	003899F	003899F
	Combination Valve - Nat. IID	003900F	003900F	003900F	003900F
	Combination Valve - Pro. IID	004306F	004306F	004306F	004306F
2-G	Combination Valve - Gas On/Off -Nat (for Low Nox)	007424F	007424F	007424F	007424F
HP	HEAT EXCHANGER - POLYMER				
1-HP	Heat Exchanger Assembly Complete	006702F	006703F	006704F	006705F
2-HP	Inlet/Outlet Header Complete	006827F	006827F	006827F	006827F
	Inlet/Outlet Header (Includes 6-HP)	006706F	006706F	006706F	006706F
3-HP	Return Header (Includes 6-HP)	006707F	006707F	006707F	006707F
4-HP	Tube Bundle **	006708F	006709F	006710F	006711F
	Tube Bundle Cupro-Nickel (Upgrade)	009878F	010365F	009880F	009881F
19-HP	Baffle	005260F	005261F	005262F	005263F
5-HP	Flange Nut Kit	008259F	008259F	008259F	008259F
6-HP	O Ring Gasket (2)	006713F	006713F	006713F	006713F
7-HP	Sensor Adapter Digital Electronic	006714F	006714F	006714F	006714F
	Sensor Well Millivolt	006805F	006805F	006805F	006805F
8-HP	Bypass Kit	006715F	006715F	006715F	006715F
9-HP	Bypass Valve	006716F	006716F	006716F	006716F
10-HP	Bypass Dam / Shaft	006717F	006717F	006717F	006717F
11-HP	Bypass Spring (All Sizes Included)	006718F	006718F	006718F	006718F
12-HP	Unitherm Governor	006719F	006719F	006719F	006719F
13-HP	Unitherm Governor Plug	006720F	006720F	006720F	006720F
14-HP	Drain Plug	006721F	006721F	006721F	006721F
15-HP	Inlet/Outlet Header Dam	006722F	006722F	006722F	006722F
16-HP	2" PVC Connector & Nut (2)	006723F	006723F	006723F	006723F
17-HP	O Ring (2)	006724F	006724F	006724F	006724F
18-HP	Stainless Steel Baffle	006826F	006826F	006826F	006826F

*FOR ALTITUDES ABOVE 2,000 FEET LEVEL, CONSULT THE FACTORY

**WARNING: The hydraulic conditions or water chemistry that caused the tube bundle to fail have very likely also damaged the bypass valve and Unitherm Governor. We recommend you replace the Unitherm Governor and inspect the bypass assembly. Failure to do so could cause premature failure of this replacement part.

CALL OUT	DESCRIPTION	185B	265B	335B	405B
HM	HEAT EXCHANGER - METAL				
1-HM	Heat Exchange Assy. ASME CI (Complete)	006726F	006727F	006728F	006729F
2-HM	Inlet/Outlet Header ASME CI (Complete)	006730F	006730F	006730F	006730F
	Inlet/Outlet Header ASME CI	012319F	012319F	012319F	012319F
3-HM	Return Header ASME CI	006731F	006731F	006731F	006731F
4-HM	Tube Bundle ASME **	006732F	006733F	006734F	006735F
17-HM	Baffle Kit	005260F	005261F	005262F	005263F
5-HM	Stud Bolt Kit	007870F	007870F	007870F	007870F
6-HM	Header Gasket (9)	800014B	800014B	800014B	800014B
7-HM	Unitherm Governor	062234B	062234B	062234B	062234B
8-HM	U.G. Retainer Spring	850254	850254	850254	850254
9-HM	Bypass Valve	062235B	062235B	062235B	062235B
10-HM	Bypass Spring	850252	850253	850253	850253
11-HM	Drain Valve	500719	500719	500719	500719
12-HM	Sensor Well	003765F	003765F	003765F	003765F
13-HM	Well Retaining Clip	300203	300203	300203	300203
14-HM	Inlet & Outlet Flange	003766F	003766F	003766F	003766F
15-HM	Flange Gasket 1 1/2" Connections	062236B	062236B	062236B	062236B
	Flange Gasket 2" Connections	800080B	800080B	800080B	800080B
16-HM	Rear Drain Plug & Cover	005264F	005264F	005264F	005264F
J	CONTROL BOX				
1-J	Transformer 120/240/24V	006736F	006736F	006736F	006736F
2-J	Rocker Switch	009493F	009493F	009493F	009493F
3-J	Relay Low Nox	008784F	008784F	008784F	008784F
M	MISCELLANEOUS COMPONENTS				
1-M	Pressure Switch 1.75 PSI	006737F	006737F	006737F	006737F
	Pressure Switch 11 PSI Special-See Adjustment in Service Manual	009133F	009133F	009133F	009133F
2-M	Thermostat Knob (1)	009499F	009499F	009499F	009499F
3-M	Thermostat Shaft MV	800307	800307	800307	800307
4-M	Knobstop (1)	006886F	006886F	006886F	006886F
5-M	Thermal Fuse (Atmospheric)	005899F	005899F	005899F	005899F
	Roll-Out Switch (Low Nox)	006035F	006035F	006035F	006035F
6-M	PRV 125 PSI (Optional)	008091F	011912F	011912F	011912F
7-M	Deliming Kit	052871F	052871F	052871F	052871F
8-M	Wire/Harness Millivolt	005269F	005269F	005269F	005269F
	Wire/Harness IID	009490F	009490F	009490F	009490F
9-M	Control Bezel MV (Includes Dial Decal)	009489F	009489F	009489F	009489F
10-M	Dial Decal MV	009500F	009500F	009500F	009500F
11-M	Control Bezel IID (Includes Switch Decal)	009491F	009491F	009491F	009491F
12-M	Switch/Decal-Membrane	009492F	009492F	009492F	009492F
13-M	Control Bezel Cover	009487F	009487F	009487F	009487F
14-M	Dial (Only)	009858F	009858F	009858F	009858F
P	PILOT				
1-P	Pilot Nat. MV	600525B	600525B	600525B	600525B
	Pilot Pro. MV	600575B	600575B	600575B	600575B
2-P	Pilot Nat & Pro IID Atmospheric	002003F	002003F	002003F	002003F
	Pilot Nat. IID Low Nox	008155F	008155F	008155F	008155F
3-P	Pilot Orifice Nat. MV	003901F	003901F	003901F	003901F
	Pilot Orifice Pro. MV	003902F	003902F	003902F	003902F
4-P	Pilot Orifice Nat. IID .020	003903F	003903F	003903F	003903F
	Pilot Orifice Pro. IID .012	004308F	004308F	004308F	004308F
5-P	Pilot Generator MV	600019B	600019B	600019B	600019B
6-P	Pilot MTG Bracket MV	306693	306693	306693	306693
7-P	Pilot Mounting Bracket IID Atmospheric	306692	306692	306692	306692
	Pilot Mounting Bracket IID Low Nox	008082F	008082F	008082F	008082F
8-P	Lighter Tube (MV Units Only)	062996	062996	062996	062996
9-P	Pilot Tube	004078F	004078F	004078F	004078F
10-P	Hi Tension Wire IID with Pilot Electrode	007864F	007864F	007864F	007864F
11-P	Pilot Shield	307223	307223	307223	307223

CALL OUT	DESCRIPTION	185B	265B	335B	405B
R	REFRACTORY				
1-R	Refractory Common Lt & Rt (Includes 4-R insulation strips)	005282F	005282F	005282F	005282F
2-R	Refractory Uncommon (Front & Rear)	005283F	005284F	005285F	005286F
5-R	Refractory (All)	012192F	012193F	012194F	012195F
3-R	Refractory Retainer Kit (Includes 4-R insulation strips)	005287F	005288F	005289F	005290F
4-R	Insulation Strips	006900F	006900F	006900F	006900F
S	SHEETMETAL				
1-S	Jacket Top (Louvered)	005303F	005304F	005305F	005306F
2-S	Flue Collector (Units with Capron Header)	006740F	006741F	006742F	006743F
	Flue Collector (Units with Metal Header)	005307F	005308F	005309F	005310F
3-S	Door Assy.	009501F	009502F	009503F	009504F
4-S	Screw & Retainer	006744F	006744F	006744F	006744F
5-S	Access Panel Set (3 Pcs.) (Units with Capron Header)	006745F	006745F	006745F	006745F
	Access Panel Set (3 Pcs.) (Units with Metal Header)	005277F	005277F	005277F	005277F
6-S	Side Panel Right	009494F	009494F	009494F	009494F
7-S	Side Panel Left	005301F	005301F	005301F	005301F
8-S	Side Panel Cap	005302F	005302F	005302F	005302F
9-S	Rear Panel Kit (2 Pcs.)	005278F	005279F	005280F	005281F
10-S	Sub-Base for Combustible Flooring	005182	005183	005184	005185
11-S	Poolstat Cover/Lock	009505	009505	009505	009505
12-S	High Limit Cover	005294F	005294F	005294F	005294F
13-S	Base Shield (Not Shown)	008558F	008559F	008560F	008561F
14-S	Up Front Control Panel	009495F	009496F	009497F	009498F
15-S	Weather Shield	009524F	009525F	009526F	009527F
V	VENTING				
1-V	Indoor Stack Kit (Includes inner adapter panel)	006696	006697	006698	006699
2-V	Stack Adapter	008895F	008896F	008897F	008898F
3-V	"Pagoda" Top	007990	007991	007992	007993

CONVERSION KITS**		185B	265B	335B	405B
Gas Conversions					
	Nat. to Pro. MV Pilot	004690B	004690B	004692B	004692B
	Pro. to Nat. MV Pilot	005319F	005319F	005320F	005320F
	Nat. to Pro. IID Pilot	N/A	N/A	N/A	N/A
	Pro. to Nat. IID Pilot	N/A	N/A	N/A	N/A

**** Gas conversions are to be done only by a qualified agency.**



www.raypak.com