

**COMMERCIAL and POOL
MODELS: 992B THRU 2342B**

CATALOG NO. 9300.762
Effective: 08-19-08
Replaces: 06-26-08

RAYPAK ILLUSTRATED PARTS LIST

MODEL SIZES: 992B, 1262B, 1532B, 1802B, 2002B, 2072B & 2342B

MODEL TYPES: HI DELTA H, W, WH & P

DATES OF MANUFACTURE: 01-01-07 THROUGH CURRENT

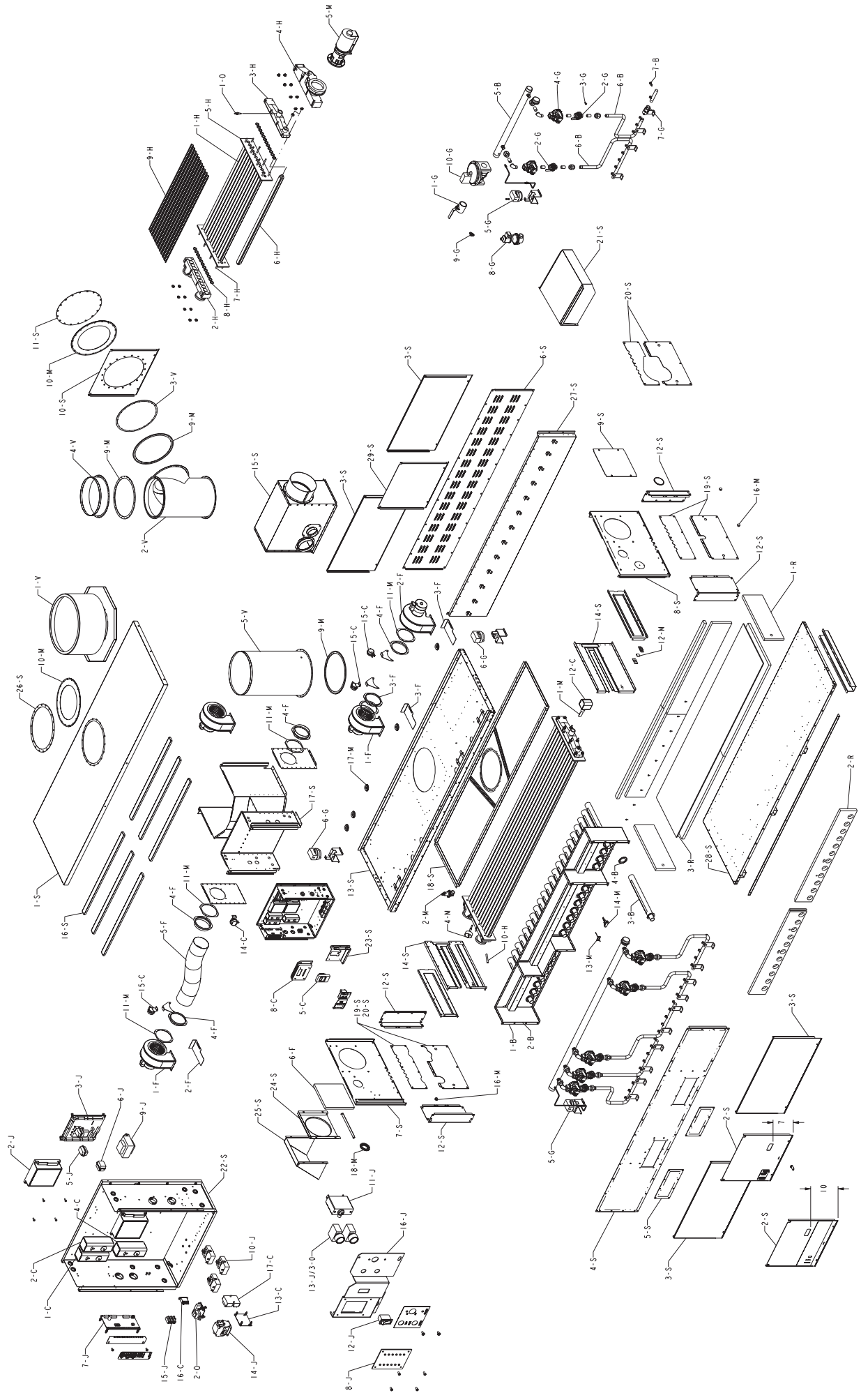
THE PARTS LISTED ARE FOR STANDARD EQUIPMENT FOR THIS MODEL TYPE. RAYPAK RESERVES THE RIGHT TO SUBSTITUTE, DELETE OR CHANGE ANY PART WITHOUT NOTIFICATION. THE ADDITION OF OPTIONS MAY ALSO CHANGE SOME OF THE PARTS. ORDER REPLACEMENT PARTS FROM ACTUAL HEATER COMPONENTS.

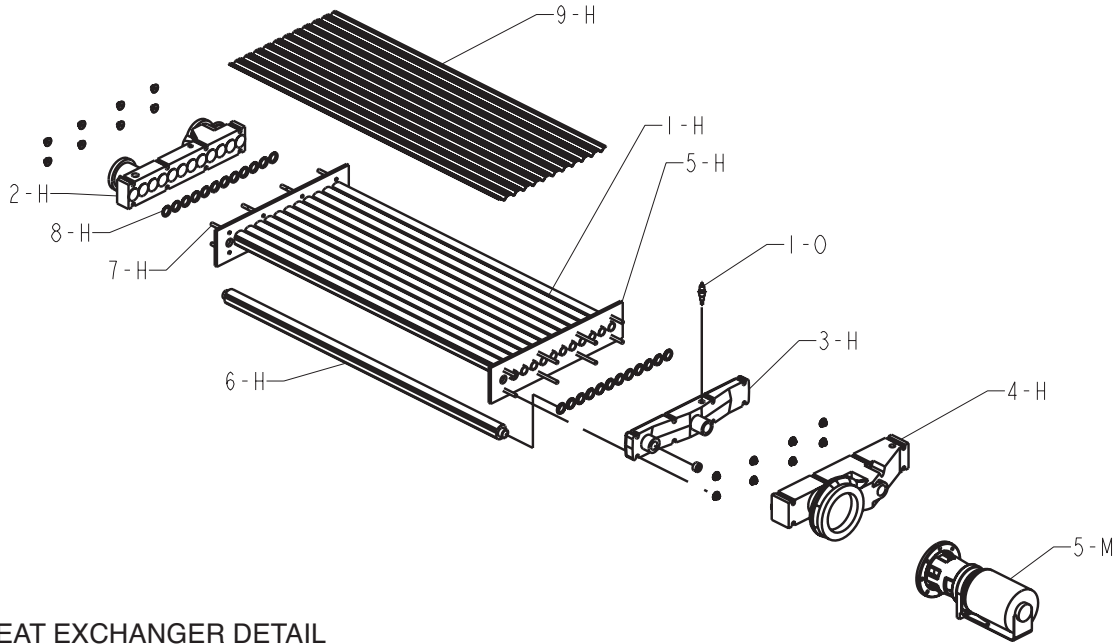


FOR DETAILED INSTRUCTIONS, SEE "HOW TO USE YOUR RAYPAK ILLUSTRATED PARTS LIST",
CATALOG NO. 9001.10

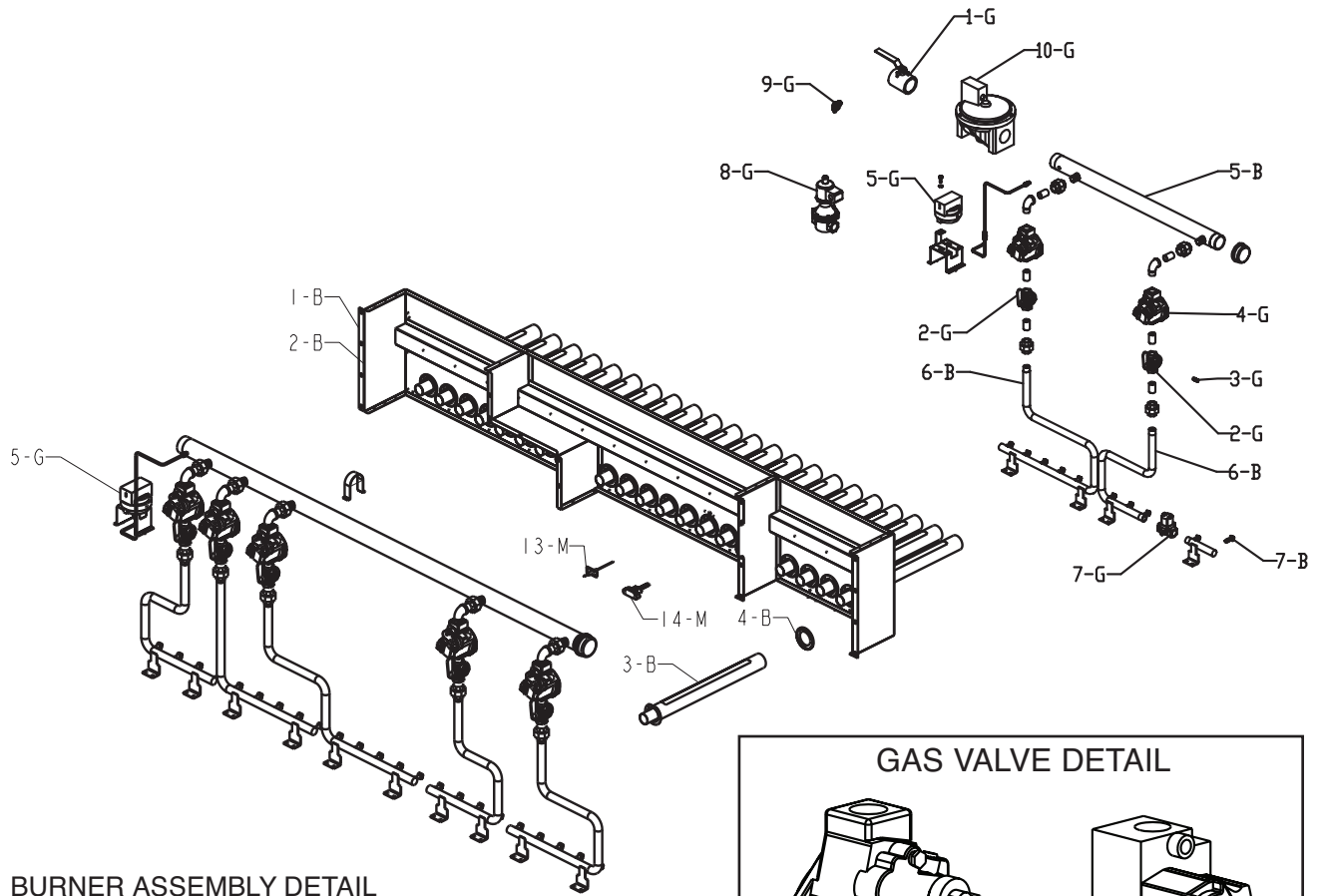


Raypak, Inc., 2151 Eastman Avenue, Oxnard, CA 93030
(805) 278-5300 Fax (800) 872-9725
Litho In U.S.A.

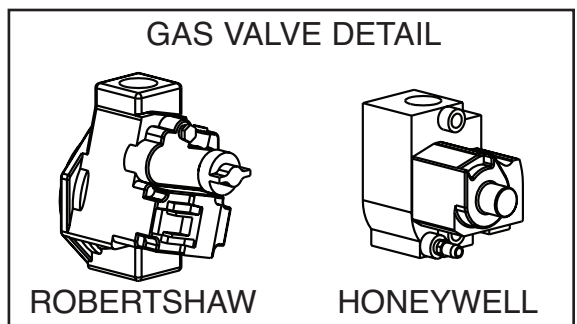




HEAT EXCHANGER DETAIL



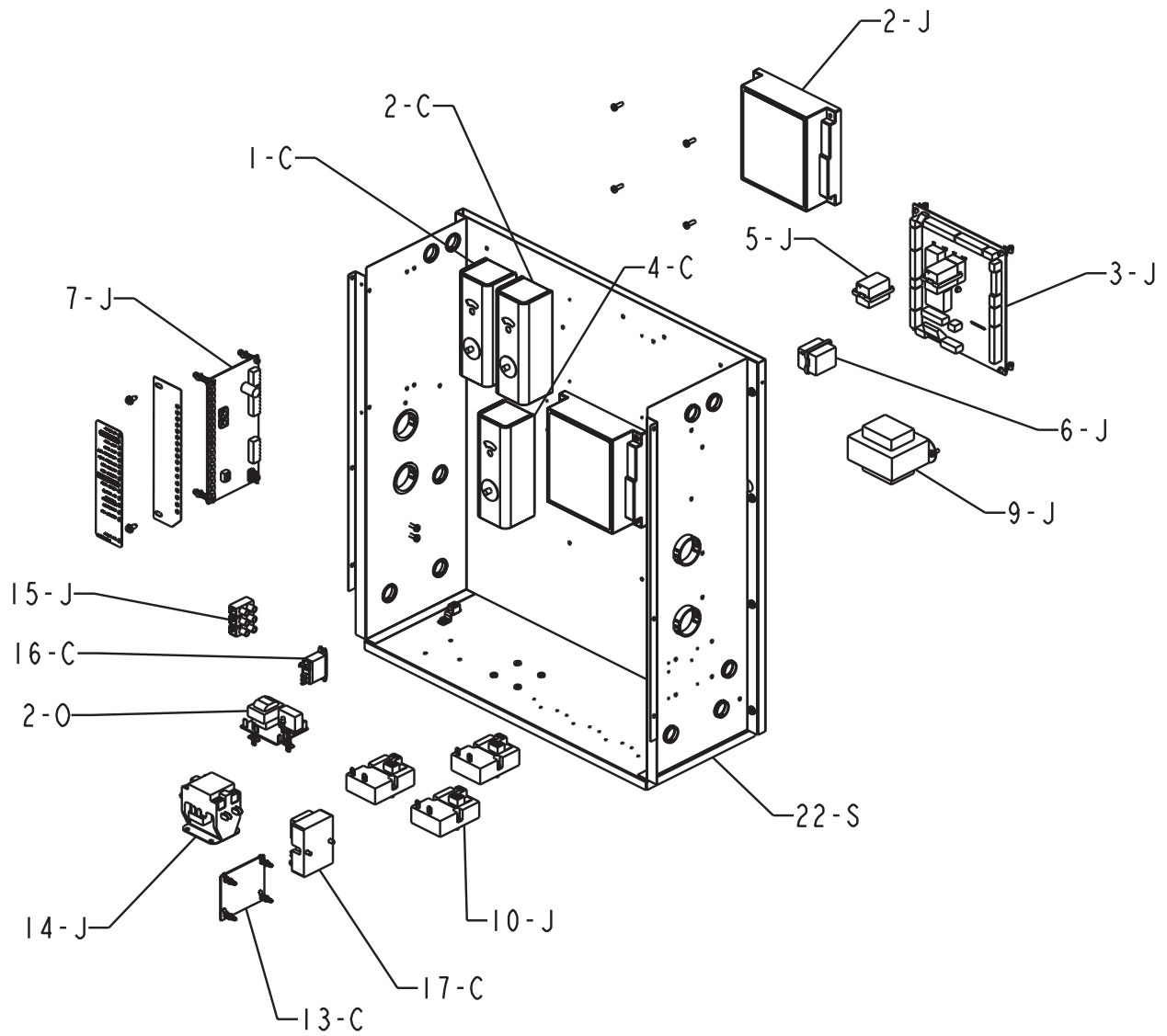
BURNER ASSEMBLY DETAIL



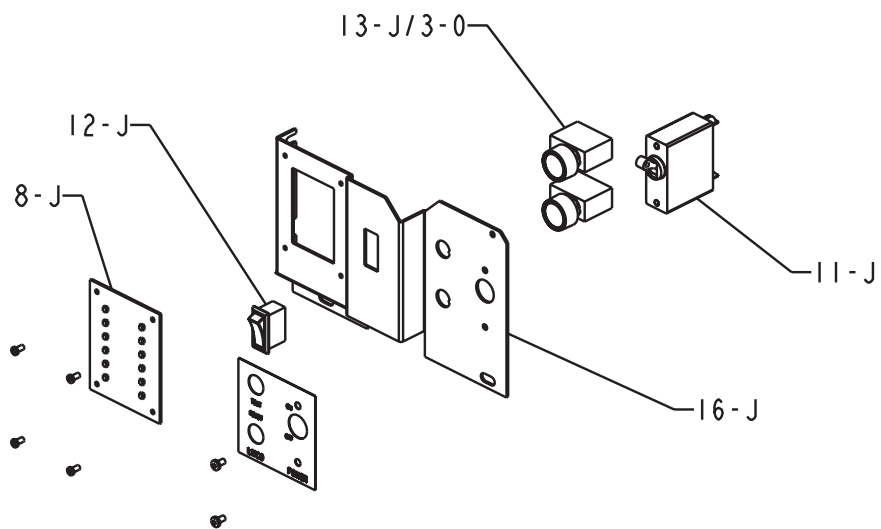
GAS VALVE DETAIL

ROBERTSHAW

HONEYWELL



CONTROL BOX DETAIL



FRONT SWITCH DETAIL

CALL OUT	DESCRIPTION	992B	1262B	1532B	1802B	2002B	2072B	2342B
J CONTROL BOX								
1-J	Control Box	N/A	N/A	N/A	N/A	N/A	N/A	N/A
	Control Box (Pool)	N/A	N/A	N/A	N/A	N/A	N/A	N/A
2-J	Ignition Control	007374F	007374F	007374F	007374F	007374F	007374F	007374F
	Ignition Control with Manual Reset	009057F	009057F	009057F	009057F	009057F	009057F	009057F
3-J	Printed Circuit Board CPW	009626F	009626F	009627F	009627F	009627F	009627F	009627F
5-J	Relay DPDT 24VAC (K1, K2, K3 & K5)	009688F	009688F	009688F	009688F	009688F	009688F	009688F
6-J	Relay 3PDT 120VAC (K4)	009689F	009689F	009689F	009689F	009689F	009689F	009689F
7-J	Printed Circuit Board UDB	011758F	011758F	011758F	011758F	011758F	011758F	011758F
8-J	Printed Circuit Board Status Lights	007896F	007896F	007896F	007896F	007896F	007896F	007896F
9-J	Transformer 100 VA	007494F	007494F	007494F	007494F	007494F	007494F	007494F
10-J	Time Delay Contactor	008921F	008921F	008921F	008921F	008921F	008921F	008921F
11-J	Automatic Shut Down Breaker Switch 3 AMP	007380F	007380F	007380F	007380F	007380F	007380F	007380F
12-J	On/Off Switch Rocker	006872F	006872F	006872F	006872F	006872F	006872F	006872F
13-J	Momentary Switch	005641F	005641F	005641F	005641F	005641F	005641F	005641F
14-J	Contactor DPST 24vac 50A	N/A	009860F	009860F	009860F	009860F	009860F	009860F
15-J	Terminal Block (3 Space)	007382F	007382F	007382F	007382F	007382F	007382F	007382F
16-J	Switch Mtg Panel	009628F	009628F	009628F	009628F	009628F	009628F	009628F
M MISCELLANEOUS								
1-M	Flow Switch Paddle	010026F	010026F	010026F	010026F	010026F	010026F	010026F
2-M	PRV 30 PSI	007748F	007748F	007748F	007748F	008088F	008088F	008088F
	PRV 45 PSI	007221F	007751F	007751F	007752F	007752F	007752F	007752F
	PRV 60 PSI	007222F	007753F	007754F	007754F	007754F	007754F	008288F
	PRV 75 PSI	007223F	007756F	007756F	007756F	007757F	007757F	007757F
	PRV 125 PSI	007224F	007224F	007224F	007758F	007759F	007759F	007759F
	PRV 150 PSI	007225F	007225F	007225F	007225F	007225F	007225F	007225F
3-M	Delimiting Kit	052870F	052870F	052870F	052870F	052870F	052870F	052870F
4-M	T & P Gauge (H)	007205F	007205F	007205F	007205F	007205F	007205F	007205F
	T & P Gauge (WH)	007399F	007399F	007399F	007399F	007399F	007399F	007399F
5-M	Integral Pump 4" Impeller	009296F	N/A	N/A	N/A	N/A	N/A	N/A
	Integral Pump 4.7 Impeller	004845F	004845F	004845F	004845F	N/A	N/A	N/A
6-M	RTV Sealant 2.8 oz	008924F	008924F	008924F	008924F	008924F	008924F	008924F
	RTV Sealant 10 oz	005755F	005755F	005755F	005755F	005755F	005755F	005755F
7-M	Sealant Tape (gray) Specify Length	800351	800351	800351	800351	800351	800351	800351
8-M	Fiberfrax insulation 1" Wide	008406F	008406F	008406F	008405F	008405F	008405F	008405F
9-M	Flue Exhaust Tee Seal Gasket	009690F	009691F	009691F	009692F	009692F	009692F	009693F
10-M	Flue Exhaust Adapter Seal Gasket	009635F	009636F	009636F	009637F	009637F	009637F	009638F
11-M	Intake Air Seal Gaskets (Truseal)	010028F	010028F	010028F	010028F	010028F	010028F	010028F
12-M	Window Combustion Chamber	006947F	006947F	006947F	006947F	006947F	006947F	006947F
13-M	Flame Sensor	006535F	006535F	006535F	006535F	006535F	006535F	006535F
14-M	Igniter	007400F	007400F	007400F	007400F	007400F	007400F	007400F
15-M	Touch-up Paint (Green)	750125	750125	750125	750125	750125	750125	750125
	Touch-up Paint (Dark Gray)	750126	750126	750126	750126	750126	750126	750126
16-M	Sight Window Plug	008474F	008474F	008474F	008474F	008474F	008474F	008474F
17-M	Gas Manifold Grommet 3/4" NPT	010778F	010778F	010778F	010778F	010778F	010778F	010778F
18-M	Gas Manifold Grommet 2" NPT	010780F	010780F	010780F	010780F	010780F	010780F	010780F
O OPTIONS								
1-O	Remote Sensor for Low Water Cut-Off	007228F	007228F	007228F	007228F	007228F	007228F	007228F
2-O	Low Water Cut Off PC Board	007157F	007157F	007157F	007157F	007157F	007157F	007157F
3-O	Momentary Switch	005641F	005641F	005641F	005641F	005641F	005641F	005641F
R REFRACTORY								
1-R	Refractory Kit (All Panels)	007760F	007761F	007762F	007763F	007764F	007764F	007765F
2-R	Refractory Front Panels	007766F	007767F	007768F	007769F	007770F	007770F	007771F
3-R	Refractory Blanket	009869F	009870F	009871F	009872F	009873F	009873F	009874F
S SHEETMETAL								
1-S	Jacket Top	009629F	009630F	009631F	009632F	009633F	009633F	009634F
2-S	Upfront Control Panel (10 Indicator Lights)	009639F	N/A	N/A	N/A	N/A	N/A	N/A
	Upfront Control Panel (11 Indicator Lights)	N/A	009640F	009640F	009640F	N/A	N/A	N/A
	Upfront Control Panel (12 Indicator Lights)	N/A	N/A	N/A	N/A	009641F	009641F	009641F
	Upfront Control Panel w/ Window (10 Indicator Lights)	009642F	N/A	N/A	N/A	N/A	N/A	N/A
	Upfront Control Panel w/ Window (11 Indicator Lights)	N/A	009643F	009643F	009643F	N/A	N/A	N/A
	Upfront Control Panel w/ Window (12 Indicator Lights)	N/A	N/A	N/A	N/A	009644F	009644F	009644F
	Upfront Control Panel (10 Indicator Lights)*	012335F	N/A	N/A	N/A	N/A	N/A	N/A
	Upfront Control Panel (11 Indicator Lights)*	N/A	012336F	012336F	012336F	N/A	N/A	N/A
	Upfront Control Panel (12 Indicator Lights)*	N/A	N/A	N/A	N/A	012337F	012337F	012337F
	Upfront Control Panel w/ Window (10 Indicator Lights)*	012338F	N/A	N/A	N/A	N/A	N/A	N/A
	Upfront Control Panel w/ Window (11 Indicator Lights)*	N/A	012339F	012339F	012339F	N/A	N/A	N/A
	Upfront Control Panel w/ Window (12 Indicator Lights)*	N/A	N/A	N/A	N/A	012340F	012340F	012340F
3-S	Upper Control Access Jacket Panel	009645F	009646F	009647F	009648F	009649F	009649F	009650F
4-S	Lower Front Jacket Panel	009651F	009652F	009653F	009654F	009655F	009655F	009656F
5-S	Access Panel Igniter/Sensor	009694F	009694F	009694F	009694F	009694F	009694F	009694F
6-S	Lower Rear Jacket Panel	009657F	009658F	009659F	009660F	009661F	009662F	009662F
7-S	Upper Left Side Jacket Panel	009663F	009663F	009663F	009663F	009663F	009663F	009663F
8-S	Upper Right Side Jacket Panel	009695F	009695F	009695F	009695F	009695F	009695F	009695F
9-S	Air Intake Cover Panel	009696F	009696F	009696F	009696F	009696F	009696F	009696F
10-S	Rear Flue Exhaust Cover Panel	009664F	009665F	009665F	009666F	009666F	009666F	009667F
11-S	Flue Exhaust Cover Panel	009713F	009714F	009714F	009715F	009715F	009715F	009716F
12-S	Lower Corner Supports Front and Rear	009668F	009668F	009668F	009668F	009668F	009668F	009668F
13-S	Center Support Panel	010237F	010238F	010239F	010240F	010241F	010241F	010243F
14-S	Left & Right Heat Exchanger Support	010244F	010244F	010244F	010244F	010244F	010244F	010244F
15-S	Intake Air Distribution Box (Truseal)	009669F	009669F	010789F	010789F	009670F	009670F	009670F
16-S	Support Horizontal	009671F	009672F	009673F	009674F	009675F	009675F	009676F
17-S	Support Assy Controls and Flue Exhaust	009677F	009677F	009677F	009677F	009677F	009677F	009677F
18-S	Flue Collector Top	009678F	009679F	009680F	009681F	009682F	009682F	009683F
19-S	Access Panel	009684F	009684F	009684F	009684F	009684F	009684F	009684F
20-S	Access Panel w/Pump	009685F	009685F	009685F	009685F	009685F	009685F	009685F
21-S	Pump Cover	002671F	002671F	002671F	002671F	002671F	002671F	002671F
22-S	Control Box Sheetmetal	009686F	009686F	009686F	009686F	009686F	009686F	009686F
23-S	Controller Mounting Panel*	012341F	012341F	012341F	012341F	012341F	012341F	012341F
24-S	Filter Mounting Panel	009699F	009699F	009699F	009699F	009699F	009699F	009699F
25-S	Intake Air Vent Hood	010747F	010747F	010747F	010747F	010747F	010747F	010747F
26-S	Flue Exhaust Gasket Retainer	010032F	010033F	010033F	010034F	010034F	010034F	010035F
27-S	Combustion Chamber Rear Panel	010772F	010773F	010774F	010775F	010776F	010776F	010777F
28-S	Base Assy	010760F	010761F	010762F	010763F	010764F	010764F	010765F
29-S	Rear Center Cover Panel	011859F	011859F	011859F	011859F	011859F	011859F	011859F
V VENTING								
1-V	Outdoor Stack	010796	010797	010797	010798	010798	010798	010799
2-V	Flue Exhaust Tee	009701F	009702F	009702F	009703F	009703F	009703F	009704F
3-V	Flue Exhaust Tee Cap	009705F	009706F	009706F	009707F	009707F	009707F	009708F
4-V	Flue Exhaust Adapter	009709F	009710F	009710F	009711F	009711F	009711F	009712F
5-V	Flue Exhaust Straight Pipe	011854F	011855F	011855F	011856F	011856F	011856F	011857F

*MANUFACTURED AFTER February 29, 2008



Registered Quality Management System

www.raypak.com