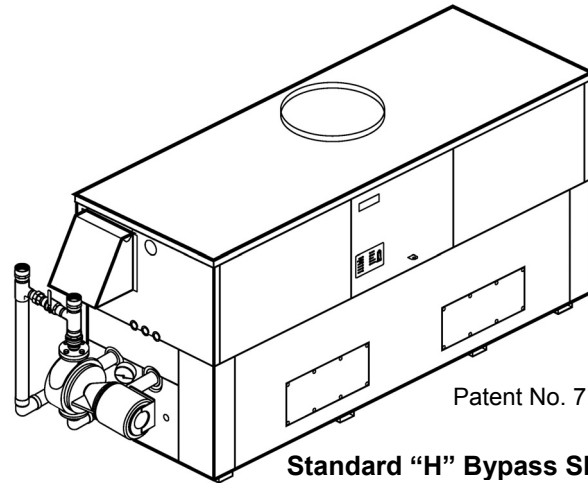


Job: _____
 Engineer: _____
 Contractor: _____
 Prepared By: _____ Date: _____
 Model: _____ Indoor/Outdoor: _____ MBTUH Input: _____

Hi Delta[®] - Type P

Commercial Pool Heaters
 Models 1802B-2342B

- Sealed Combustion Chamber**
- 100% Factory Fire Tested**
- Efficiency: 85%**
- Minimum Non-condensing Inlet Temperature: 105°F**
- Thermal Shock Proof Heat Exchanger**
- Limited Twenty-year Thermal Shock Warranty**
- Limited Five-year Heat Exchanger Warranty**
- Full Safety Diagnostics with Fault History**
- PolyTuf Powder Coated Cabinet**
- No Combustible Floor Shield Required**
- Fan-assisted**
- Non-ferrous Bypass**
- Patented Burner Security Blanket**



Patent No. 7,044,124

Standard "H" Bypass Shown

Heat Exchanger

- Brass Headers
- ASME Inspected and Stamped
160 PSIG Working Pressure
- National Board Approved
- Cupro Nickel Finned Tubing
- ASME Steel Tube Sheet
- Silicone High Temp O-Rings
- 125 PSIG ASME Pressure Relief Valve
- Temperature and Pressure Gauge
- Water Connections
 - Left – Standard
 - Right – Option A-6
- Bronze Pump, 120V, 60Hz
- Non-ferrous Pool Bypass

Controls

- 120V, 60Hz, 1Ø Power Supply
- 120/24V 60Hz Transformer
- 100% Shut-off/Lockout
- Hot Surface Ignition Systems (2)
- Remote Flame Sensors (2)
- High Limit Control, Auto Reset
- On/Off Power Switch
- Manual Shut-off, Front-mounted
- Flow Switch
- Blocked Vent Pressure Switch
- Combustion Air Proving Switches
- Economaster Pump Time Delay
- Poolstat
- Diagnostic Panel with LCD Display
2 Lines, 20 Characters

Gas Train

- Combination Valves
- On/Off Firing
- Low Gas Pressure Switch, Manual
- Fuel
 - Natural Gas
 - Propane Gas
- Design Certified ANSI Z21.56/
CSA 4.7 (P models)
- Design Certified ANSI Z21.10.3/
CSA 4.3 (WHP models)

Burner

- Ultra-low NOX:
Less than 20 PPM

Construction

- Indoor/Outdoor Construction
- Enclosed Front Controls

Venting

- Vent Location
 - Top – Standard
 - Rear – Option D-14
- Vent Termination Cap
 - Outdoor – Option D-11
 - Indoor, Horizontal –
Option D-15
 - Indoor, Vertical (by others)
- Combustion Air
 - In-Line Filter Kit (TruSeal
only) – Option D-17
 - Air Intake Elbow –
Option D-16

Options

- C-6 Ignition Module, Manual Reset
- D-21 TruSeal™ Direct Vent
 - Right Side
 - Left Side (Model 1802B
Only)
- F-10 Low Water Cut-off, Remote
Probe
- P-__ Cold Water Run System
(See Page 3)
- S-2 Dual High Gas Pressure
Switches, Manual Reset
- X-1 SureRack Kit
- X-2 SureRack Kit Above Grade
Add-on (used with X-1)
- Y-241 Temperature Controller,
1-4 Stages

Regulatory Agency Requirements

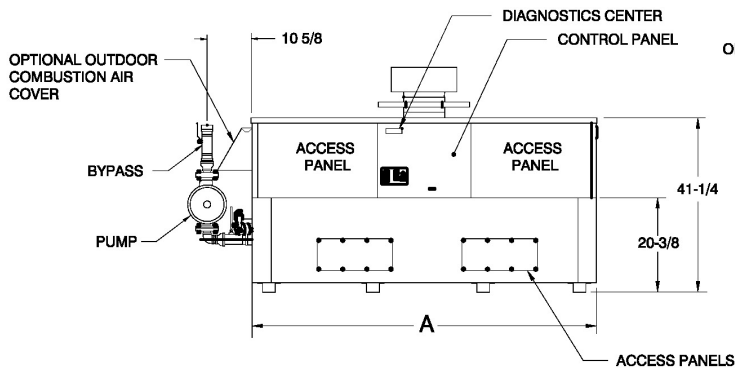
- G-1 CSD-1



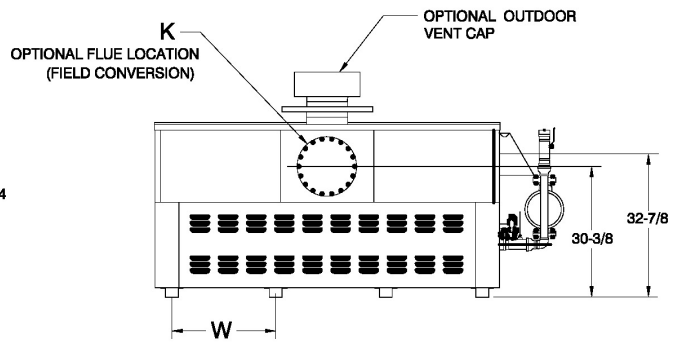
Raypak[®]
 A Rheem Company

Hi Delta – Type P Models 1802B-2342B

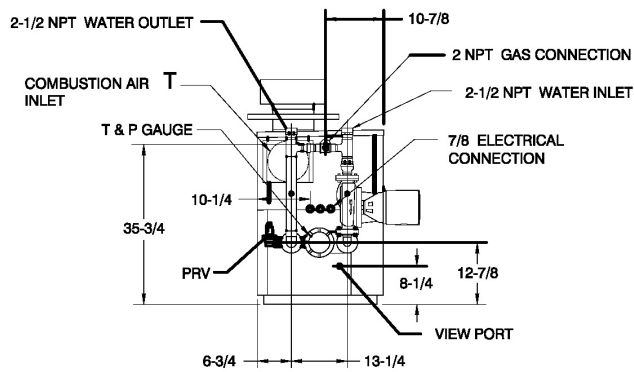
Model _____



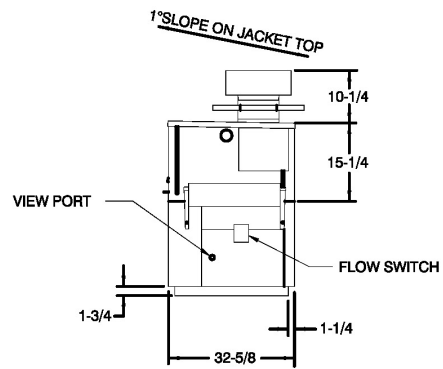
FRONT VIEW



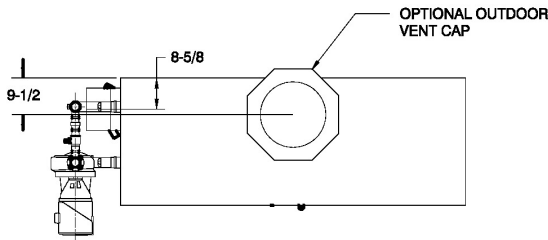
BACK VIEW



LEFT SIDE



RIGHT SIDE



TOP VIEW

Standard "H" Bypass

Model	Max. Flow		
	GPM	ΔP (ft)	ΔT
P 1802B	132	18.3	23
WHP 2002B	132	19.0	26
WHP 2072B	132	19.0	27
WHP 2342B	132	21.4	30

Model	MBTUH		A Width	K	T	W	Amp Draw		Pump HP	Shipping Weight (Lbs.)
	Input	Output					Heater	Pump		
P 1802B	1800	1530	91-1/8	14	10	28-1/8	<12	11	3/4	1350
WHP 2002B	1999	1699	102-1/2	14	10	31-15/16	<12	14**	1	1450
WHP 2072B	2070	1760	102-1/2	14	10	31-15/16	<12	14**	1	1450
WHP 2342B	2340	1989	113-7/8	16	10	35-11/16	<12	21**	1-1/2	1520

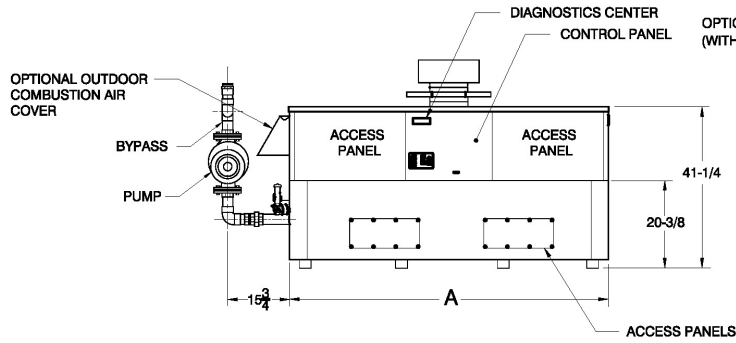
Dimensions are in inches.
Ratings shown are for elevations up to 4,500 feet and for natural or propane gas.
For installation at elevations over 4,500 feet, please contact manufacturer.

** Requires separate circuit breaker

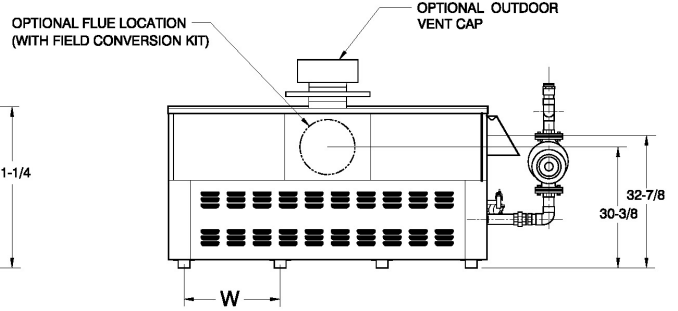
Hi Delta – Type P

Models 1532B-2342B (Cold Water Run Option)

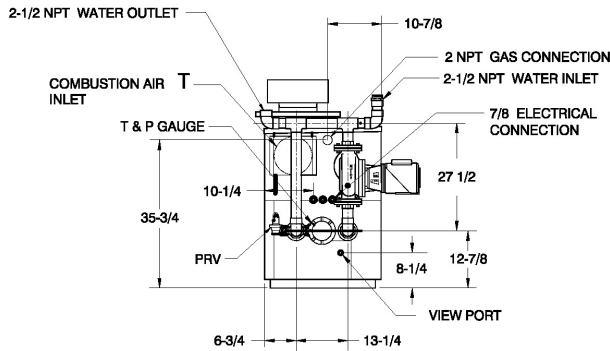
Model _____



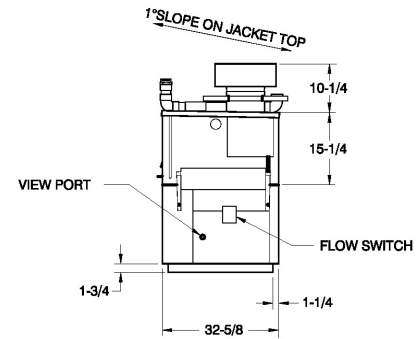
FRONT VIEW



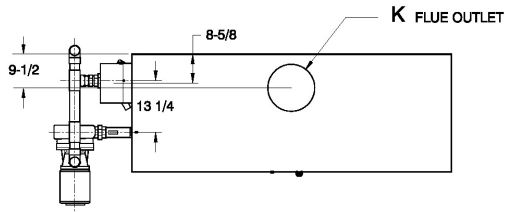
BACK VIEW



LEFT SIDE



RIGHT SIDE



TOP VIEW

Cold Water Run Option

Model	Max. Flow		
	GPM	ΔP (ft)	ΔT
P 1532B	132	16.5	20
P 1802B	132	18.3	23
WHP 2002B	132	19.0	26
WHP 2072B	132	19.0	27
WHP 2342B	132	21.4	30

Model	MBTUH		A Width	K	T	W	Amp Draw		Pump Hp	Injector Pump Hp	Shipping Weight (Lbs.)
	Input	Output					Heater	Pump			
P 1532B	1530	1301	79-7/8	12	10	24-3/8	<12	12	3/4	1/3	1225
P 1802B	1800	1530	91-1/8	14	10	28-1/8	<12	12	3/4	1/3 *	1460
WHP 2002B	1999	1699	102-1/2	14	10	31-15/16	<12	14	1**	3/4 *	1560
WHP 2072B	2070	1760	102-1/2	14	10	31-15/16	<12	14	1**	3/4 *	1560
WHP 2342B	2340	1989	113-7/8	16	10	35-11/16	<12	21	1-1/2**	3/4 *	1620

Dimensions are in inches.

Ratings shown are for elevations up to 4,500 feet and for natural or propane gas.

For installation at elevations over 4,500 feet, please contact manufacturer.

*Separate 120 VAC or 240 VAC 1Ø power required for Cold Water Run option

** Requires separate circuit breaker