

POOL
MODEL: 53

CATALOG NO. 9100.15
Effective: 12-03-08
Replaces: 02-05-07

RAYPAK ILLUSTRATED PARTS LIST

MODEL SIZE: 53

MODEL TYPE: WHG GEMINI AND SPA-PAK

DATES OF MANUFACTURE: 11-01-82 THROUGH 12-31-84

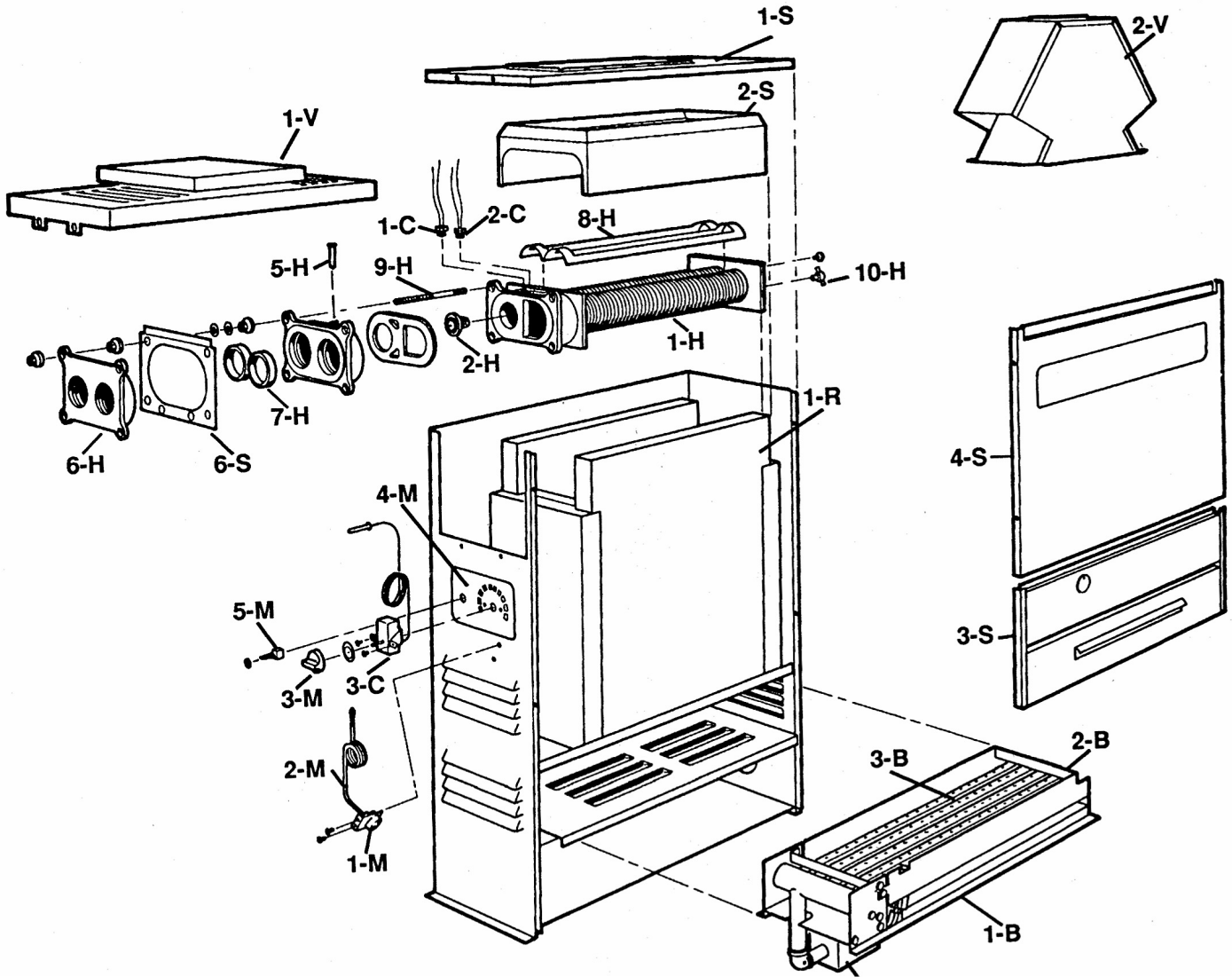
THE PARTS LISTED ARE FOR STANDARD EQUIPMENT FOR THIS MODEL TYPE. RAYPAK RESERVES THE RIGHT TO SUBSTITUTE, DELETE OR CHANGE ANY PART WITHOUT NOTIFICATION. THE ADDITION OF OPTIONS MAY ALSO CHANGE SOME OF THE PARTS. ORDER REPLACEMENT PARTS FROM ACTUAL HEATER COMPONENTS.



FOR DETAILED INSTRUCTIONS, SEE "HOW TO USE YOUR RAYPAK ILLUSTRATED PARTS LIST",
CATALOG NO. 9001.10



Raypak, Inc., 2151 Eastman Avenue, Oxnard, CA 93030
(805) 278-5300 Fax (800) 872-9725
Litho In U.S.A.



HONEYWELL MILLIVOLT PILOT

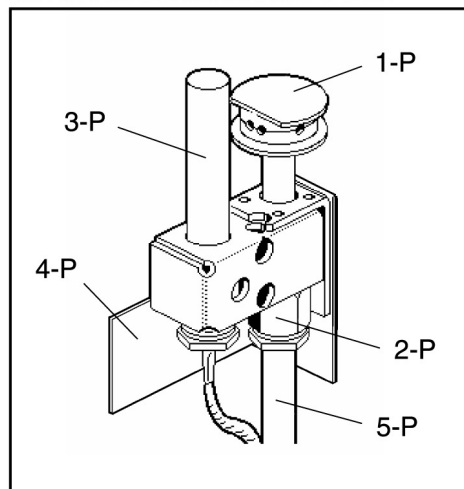


FIG # 8107.5

CALL OUT	DESCRIPTION	GEMINI	SPA-PAK
B	BURNER		
1-B	Burner Tray w/Burners (Sea Level)*	N/A	N/A
2-B	Burner Hold Down	N/A	N/A
3-B	Burner	301210/4	301210/4
4-B	Burner Orifice Nat. #51 (Sea Level)*	350080F/4	350080F/4
	Burner Orifice Pro. #59 (Sea Level)*	350350F/4	350350F/4
C	CONTROLS		
1-C	Hi Limit 135°F	600889B	600889B
2-C	Hi Limit 140°F	600890B	600890B
3-C	Thermostat Control	003346F	003346F
G	GAS VALVE		
1-G	Combination Valve 1/2" Nat.	003898F	003898F
	Combination Valve 1/2" Pro.	003899F	003899F
H	HEAT EXCHANGER		
1-H	Heat Exchanger	N/A	N/A
2-H	Unitherm Governor	600885	600885
3-H	U. G. Cap**	400734	400734
4-H	U. G. Spring**	850247	850247
5-H	Sensor Well	007211F	007211F
6-H	Inlet/Outlet Flange**	002432F	002432F
7-H	Flange Gasket	800013B	800013B
8-H	Baffle Kit	N/A	N/A
9-H	Bolt Kit	N/A	N/A
10-H	Drain Valve	500719	500719
M	MISCELLANEOUS COMPONENTS		
1-M	Pressure Switch	062237B	062237B
2-M	Pressure Switch Tube Assy.	N/A	N/A
3-M	Thermostat Knob	006885F	006885F
4-M	Dial Plate	N/A	N/A
5-M	Toggle Switch	650761	650761
P	PILOT		
1-P	Pilot Nat.	600525B	600525B
	Pilot Pro.	600575B	600575B
2-P	Pilot Orifice Nat.	003901F	003901F
	Pilot Orifice Pro.	003902F	003902F
3-P	Pilot Generator	600019B	600019B
4-P	Pilot Mounting Bracket	N/A	N/A
5-P	Pilot Tube	400275	400275
R	REFRACTORY		
1-R	Refractory Block Kit	N/A	N/A
S	SHEETMETAL		
1-S	Jacket Top	N/A	N/A
2-S	Flue Collector	002530F	002530F
3-S	Door Assy.	N/A	N/A
4-S	Upper Jacket Panel	N/A	N/A
6-S	Access Panel	N/A	N/A
V	VENTING		
1-V	Stackless Top Kit	N/A	N/A
2-V	Draffhood Kit	003722	003722

CONVERSION KITS***			
	Nat. to Pro.	N/A	N/A
	Pro. to Nat.	N/A	N/A

*FOR ALTITUDES ABOVE 2,000 FEET ABOVE SEA LEVEL, CONSULT THE FACTORY.

**REPLACEMENT PARTS FOR NEW ONE PIECE INLET/OUTLET HEADER DESIGN.

***FOR GAS CONVERSIONS, CONSULT THE FACTORY.



Registered Quality Management System

www.raypak.com