

POOL
MODELS: 183 THRU 403

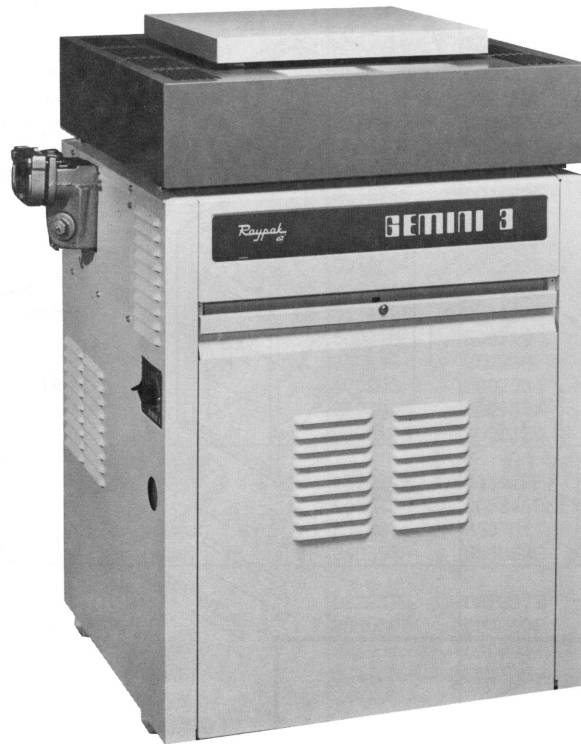
CATALOG NO. 9100.50
Effective: 12-05-08
Replaces: 02-05-07

RAYPAK ILLUSTRATED PARTS LIST

MODEL SIZES: 183, 263, 333 AND 403
MODEL TYPES: WHG GEMINI AND SPA-PAK

DATE OF MANUFACTURE: 12-01-81 TO 02-28-84

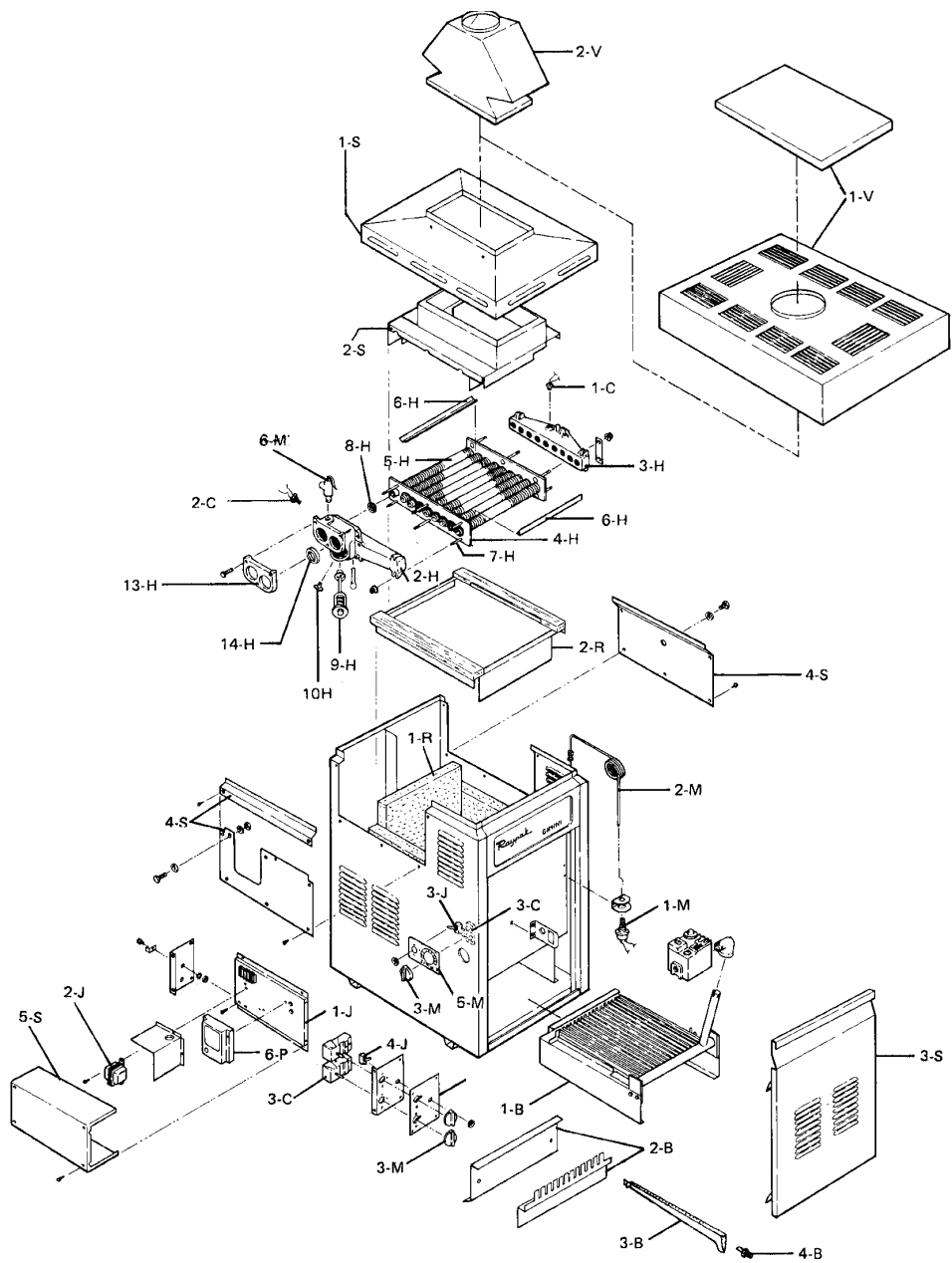
THE PARTS LISTED ARE FOR STANDARD EQUIPMENT FOR THIS MODEL TYPE. RAYPAK RESERVES THE RIGHT TO SUBSTITUTE, DELETE OR CHANGE ANY PART WITHOUT NOTIFICATION. THE ADDITION OF OPTIONS MAY ALSO CHANGE SOME OF THE PARTS. ORDER REPLACEMENT PARTS FROM ACTUAL HEATER COMPONENTS.



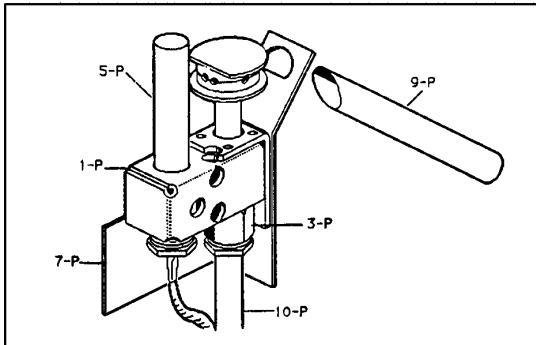
FOR DETAILED INSTRUCTIONS, SEE "HOW TO USE YOUR RAYPAK ILLUSTRATED PARTS LIST",
CATALOG NO. 9001.10



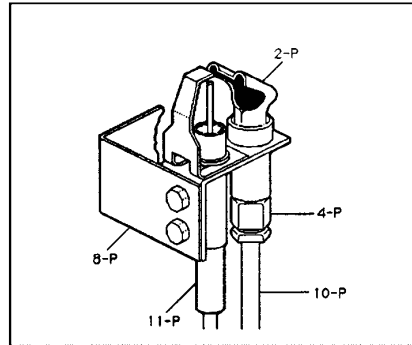
Raypak, Inc., 2151 Eastman Avenue, Oxnard, CA 93030
(805) 278-5300 Fax (800) 872-9725
Litho In U.S.A.



MILLIVOLT PILOT



IID PILOT



| CALL OUT | DESCRIPTION | 183 | 263 | 333 | 403 |
|----------|---------------------------------------|------------|------------|------------|------------|
| B | BURNER TRAY | | | | |
| 1-B | Burner Tray w/Burners (Sea Level)* | N/A | N/A | N/A | N/A |
| | Burner Tray w/o Burners (Sea Level)* | N/A | N/A | N/A | N/A |
| 2-B | Burner Spacer/Hold Down Bracket Kit | N/A | N/A | N/A | N/A |
| 3-B | Burner | 301210/10 | 301210/17 | 301210/21 | 301210/26 |
| 4-B | Burner Orifice Nat. #51 (Sea Level)* | 350080F/12 | 350080F/17 | 350080F/21 | 350080F/26 |
| | Burner Orifice Pro. #57 (Sea Level)* | 350083F/12 | 350083F/17 | 350083F/21 | 350083F/26 |
| C | CONTROLS | | | | |
| 1-C | High Limit 135°F | 600892B | 600892B | 600892B | 600892B |
| 2-C | High Limit 140°F | 600893B | 600893B | 600893B | 600893B |
| 3-C | Thermostat Control | 003346F | 003346F | 003346F | 003346F |
| G | GAS VALVES | | | | |
| 1-G | Combination Valve Nat. | 003898F | 003898F | 003898F | 003898F |
| | Combination Valve Pro. | 003899F | 003899F | 003899F | 003899F |
| | Combination Valve Nat. IID | 003900F | 003900F | 003900F | 003900F |
| H | HEAT EXCHANGER | | | | |
| 1-H | Heat Exchanger Assy. CI (Complete) | 002443F | 002444F | 002445F | 002446F |
| | Heat Exchanger Assy. Brass (Complete) | N/A | N/A | | |
| 2-H | Inlet/Outlet Header Cast Iron | 002433F | 002433F | 002433F | 002433F |
| | Inlet/Outlet Header Brass | N/A | N/A | | |
| 3-H | Return Header Cast Iron | 002450F | 002450F | 002450F | 002450F |
| | Return Header Brass | 002451F | 002451F | | |
| 4-H | Tube Bundle | 004671F | 004672F | 004673F | 004674F |
| 5-H | Heat Exchange Tube | 002456F | 002457F | 002458F | 002459F |
| 6-H | Baffle Kit | 001299F | 001300F | 001301F | 001302F |
| 7-H | Bolt Kit | 001303F | 001303F | 001303F | 001303F |
| 8-H | Header Gasket | 800014B | 800014B | 800014B | 800014B |
| 9-H | Unitherm Governor | 051492B | 051492B | 051492B | 051492B |
| 10-H | Drain Valve | 500719 | 500719 | 500719 | 500719 |
| 11-H | Sensor Well | 007211F | 007211F | 007211F | 007211F |
| 12-H | Well Retaining Clip | 300203 | 300203 | 300203 | 300203 |
| 13-H | Inlet/Outlet Flange | 002432F | 002432F | 002432F | 002432F |
| 14-H | Flange Gasket | 800013B | 800013B | 800013B | 800013B |
| J | J-BOX | | | | |
| 1-J | J-Box | N/A | N/A | N/A | N/A |
| 2-J | Transformer | 006736F | 006736F | 006736F | 006736F |
| 3-J | Toggle Switch (Single Thermostat) | 650761 | 650761 | 650761 | 650761 |
| 4-J | Toggle Switch (Dual Thermostat) | 650553F | 650553F | 650553F | 650553F |
| M | MISCELLANEOUS | | | | |
| 1-M | Pressure Switch | 062237B | 062237B | 062237B | 062237B |
| 2-M | Pressure Switch Tube Assy. | N/A | N/A | N/A | N/A |
| 3-M | Thermostat Knob | 006885F | 006885F | 006885F | 006885F |
| 4-M | Knob Stop | 006886F | 006886F | 006886F | 006886F |
| 5-M | Dial Plate Gemini | | | | |
| | Dial Plate Spa Pak | | | | |
| | Dial Plate Gemini IID | | | | |
| | Dial Plate Spa Pak IID | | | | |
| 6-M | Prv 125 PSI | 008091F | 011912F | 011912F | 011912F |
| 7-M | Deliming Kit | 052871F | 052871F | 052871F | 052871F |

*FOR ALTITUDES ABOVE 2,000 FEET ABOVE SEA LEVEL, CONSULT THE FACTORY.

| CALL OUT | DESCRIPTION | 183 | 263 | 333 | 403 |
|----------|---------------------------------------|---------|---------|---------|---------|
| P | PILOT | | | | |
| 1-P | Pilot Nat. Standing | 600525B | 600525B | 600525B | 600525B |
| | Pilot Pro. Standing | 600575B | 600575B | 600575B | 600575B |
| 2-P | Pilot Nat. IID | 002003F | 002003F | 002003F | 002003F |
| 3-P | Pilot Orifice Nat. Standing | 003901F | 003901F | 003901F | 003901F |
| | Pilot Orifice Pro. Standing | 003902F | 003902F | 003902F | 003902F |
| 4-P | Pilot Orifice Nat. IID | 003903F | 003903F | 003903F | 003903F |
| 5-P | Pilot Generator (Standing Pilot Only) | 600019B | 600019B | 600019B | 600019B |
| 6-P | Ignition Control IID | 004817B | 004817B | 004817B | 004817B |
| 7-P | Pilot Mounting Bracket Standing | 305161F | 305161F | 305161F | 305161F |
| 8-P | Pilot Mounting Bracket IID | 305160F | 305160F | 305160F | 305160F |
| 9-P | Lighter Tube (Standing Pilot Only) | 052797 | 052797 | 052797 | 052797 |
| 10-P | Pilot Tube | 400275 | 400275 | 400275 | 400275 |
| 11-P | Hi Tension Wire | 002654B | 002654B | 002654B | 002654B |
| R | REFRACTORY | | | | |
| 1-R | Refractory Kit | 001295F | 001296F | 001297F | 001298F |
| 2-R | Refractory Retainer Kit | 001304F | 001305F | 001306F | 001307F |
| S | SHEETMETAL | | | | |
| 1-S | Jacket Top | N/A | N/A | N/A | N/A |
| 2-S | Flue Collector | N/A | N/A | N/A | N/A |
| 3-S | Door Assy. | N/A | N/A | N/A | N/A |
| 4-S | Access Panel Group | N/A | N/A | N/A | N/A |
| 5-S | J-Box Sheet Metal | N/A | N/A | N/A | N/A |
| V | VENTING | | | | |
| 1-V | Stackless Top Kit (Outdoor) | 003711 | 003712 | 003713 | 003714 |
| 2-V | Draft Hood Kit (Indoor) | 003724F | 003725F | 003726 | 003727 |

| CONVERSION KITS ** | | | | | |
|---------------------------|-----------------------------|---------|---------|---------|---------|
| | Nat. to Pro. Standing Pilot | 004690B | 004690B | 004692B | 004692B |
| | Pro. to Nat. Standing Pilot | 004691F | 004691F | 004693F | 004693F |
| | Nat. to Pro. Electric Pilot | N/A | N/A | N/A | N/A |

** GAS CONVERSIONS ARE TO BE DONE ONLY BY A QUALIFIED AGENCY. FOR GAS CONVERSIONS, CONSULT THE FACTORY.



www.raypak.com