

13W3 DA2

Two Output 13W3 Sun and SGI Distribution Amplifier



FEATURES

- Input: Male 13W3 cable attached
- Output: Two female 13W3 buffered outputs
- 300 MHz (-3 dB) RGB video bandwidth, fully loaded
- Compatible with Sun and Silicon Graphics workstations
- ID bit termination suitable for Sun and SGI workstation monitors in all resolutions
- Compact and durable metal enclosure
- External universal power supply included, part # 70-055-01

DESCRIPTION

The Extron **13W3 DA2** is a one input, two output Sun and Silicon Graphics, 13W3 distribution amplifier. The 13W3 DA2 provides two separately buffered female 13W3 output connectors allowing two Sun or SGI monitors to be connected to one host workstation. It also allows for the connection of Sun and SGI computers to a compatible display, while viewing the workstation monitor. The outputs of the 13W3 DA2 may be extended to distances up to 100 feet (30 meters).

SPECIFICATIONS

VIDEO

Gain Unity
 Bandwidth 300 MHz (-3 dB), fully loaded

VIDEO INPUT

Number / Signal type 1 Sun/SGI RGBHV, RGBS, RGSB, RsGsBs
 Connectors (1) 13W3 male cable (built-in)
 Nominal level 0.7 Vp-p for RGB
 Minimum / Maximum levels... Analog: 0.3 V to 1.5 Vp-p with no offset at unity gain
 Impedance 75 ohms
 Horizontal frequency 15 kHz to 145 kHz
 Vertical frequency 30 Hz to 170 Hz
 Return loss <-42 dB @ 5 MHz

VIDEO OUTPUT

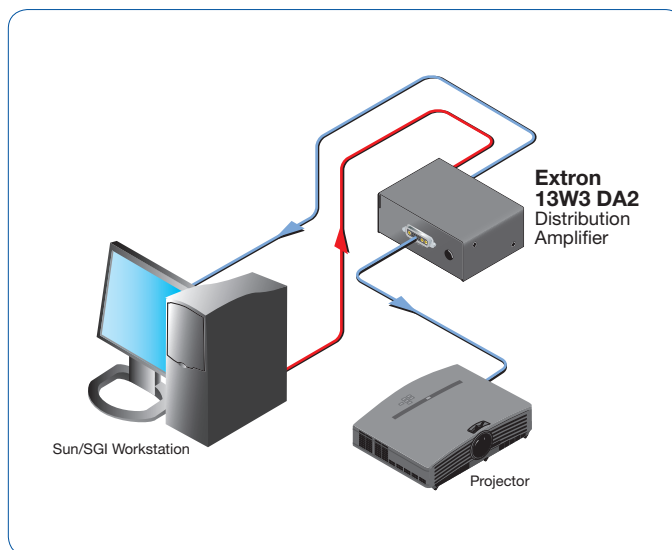
Number / Signal type 2 RGBHV, RGBS, RGSB, RsGsBs
 Connectors (2) 13W3 D female
 Nominal level 0.7 Vp-p for RGB
 Minimum / Maximum levels... Analog: 0.3 V to 1.5 Vp-p
 Impedance 75 ohms
 Return loss <-50 dB @ 5 MHz
 DC offset ±10 mV maximum with input at 0 offset

SYNC

Input type RGBHV, RGBS, RGSB, RsGsBs
 Output type RGBHV, RGBS, RGSB, RsGsBs
 Output level TTL: 4.5 Vp-p
 Input impedance 510 ohms
 Output impedance 75 ohms
 Max. propagation delay H & V: 60 ns
 Max. Rise / Fall time 4 ns
 Polarity Positive or negative

GENERAL

External power supply 100 VAC to 240 VAC, 50/60 Hz, external, universal; to 9 VDC, 1 A, regulated (attached)
 Rack mount No
 Enclosure type Metal
 Enclosure dimensions 1.75" H x 4.6" W x 4.7" D (1U high, quarter rack wide)
 4.4 cm H x 11.7 cm W x 11.9 cm D (Depth excludes connectors.)
 Product / Shipping weight 1.6 lbs (0.7 kg) / 3 lbs (2 kg)



MODEL	VERSION DESCRIPTION	PAGE	PART #
13W3 DA2	1x2 13W3		60-128-02
OPTIONAL ACCESSORIES	MODEL DESCRIPTION	PAGE	PART #
MBU 129	1U, 1/2 Rack Width Under-Desk Mount Kit for Four-Piece Enclosure	page 816	70-219-01