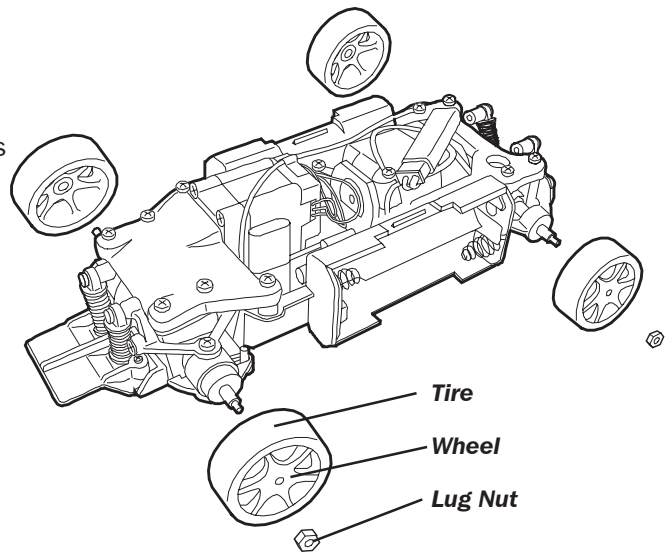


## XMODS™ Custom RC

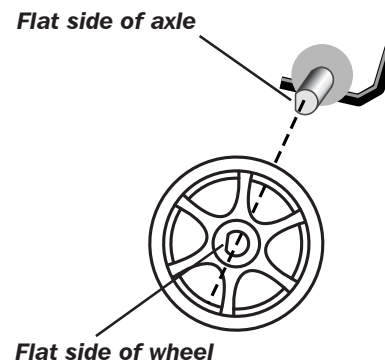
### Rubber Tire Upgrade 60-8504

This kit contains four sets of tires – four soft slick, four hard slick, four soft tread, and four hard tread (16 total). Change your car tires for optimum grip on whatever surface you choose to drive. Before installing, turn off your vehicle and controller, and detach the car body for easier access.

1. Use the lug wrench in your XMODS™ Starter Kit to detach the **lug nuts** from the **wheels** on the car.
2. Remove a **wheel** and **tire**. The bearings might come off; take care not to lose them.
3. Remove the **tire** from the **wheel** and replace it with a new **tire**.



4. To install the tires, align the flat side of the **wheel** with the flat side of the axle and slide the **wheel** onto the same axle.
5. Screw the **lug nut** onto the axle and tighten with the lug wrench.
6. Repeat steps 2-5 for each **tire**.



**Tuning Tip:** The car rides differently depending on the tires you select and the surface you drive on. Soft slick and soft tread tires provide the best grip but wear out quickly. Hard slick and hard tread tires last the longest but provide less grip and traction.

