

2003 Hummer H2

60-4358

What's Included

Hummer H2	Transmitter	Box Wrench
Plastic Antenna Tube	Owner's Manual	

Step One

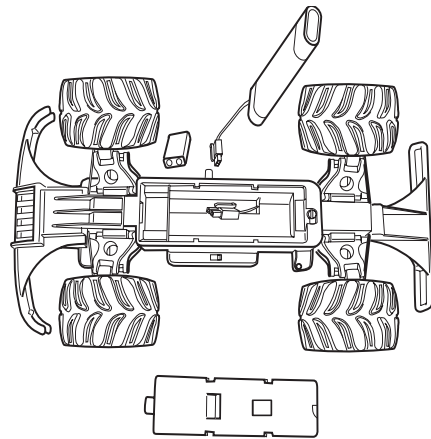
Installing the Batteries

You will need...

- One 9V Battery for the Transmitter
- One 9V Battery for the Hummer H2
- One 7.2V Rechargeable Battery Pack

Install Batteries in Hummer H2

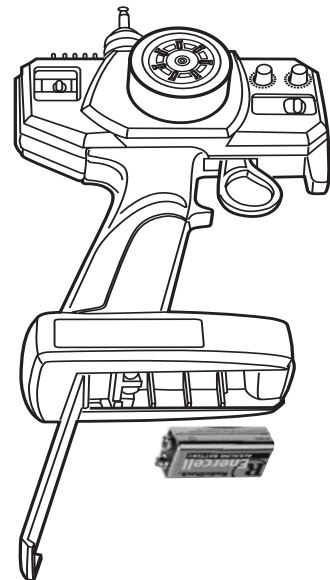
- Turn off the Hummer H2.
- Remove the battery compartment cover.
- Place the 9V battery in the battery compartment, matching the polarity symbols (+ and -) as marked inside.
- Place the battery pack in the recessed area with the battery pack's connector on the same side as the Hummer H2's matching connector.
- Attach the battery pack's connector to the Hummer H2's matching connector. They fit together only one way. Do not force them.
- Close the cover.



You must charge the battery pack with a battery charger (not supplied), available at your local RadioShack store.

Install Battery in the Transmitter

- Turn the transmitter off.
- Slide the battery compartment cover in the direction of the arrow to open it.
- Place the 9V battery in the compartment, matching the polarity symbols (+ and -) as marked inside.
- Replace the cover and snap it shut.



Step Two

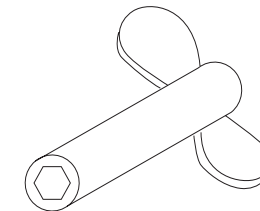
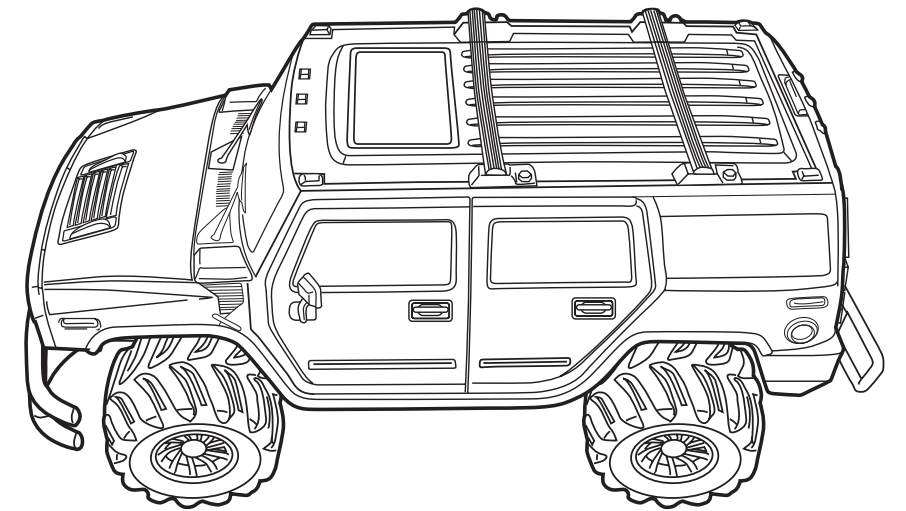
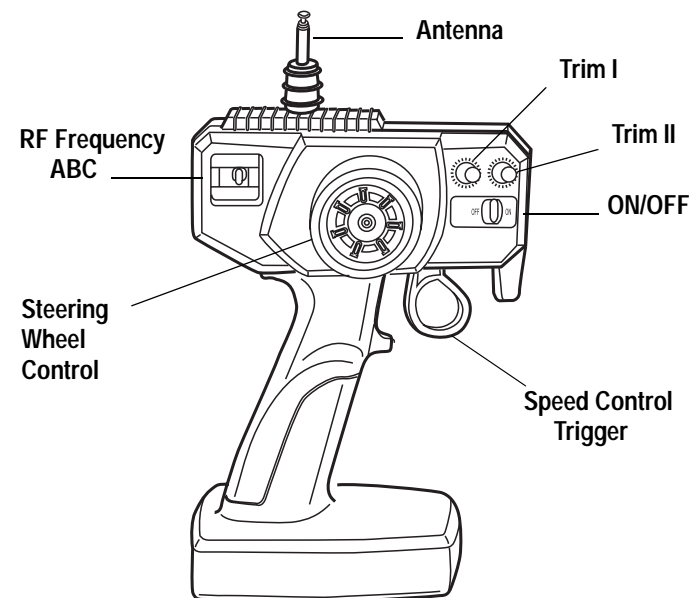
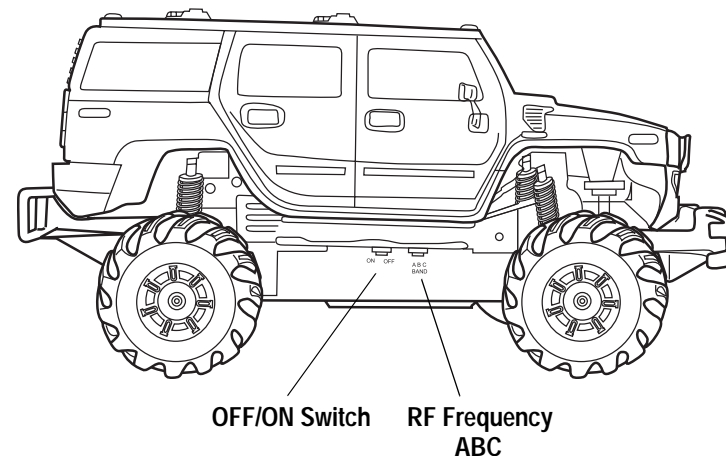
Installing the Antenna Tube

- Route the antenna wire's loose end through the supplied antenna tube.
- Insert the antenna tube securely into the Hummer H2's antenna tube hole at the top of the vehicle.

Step Three

Driving the Hummer H2

- Extend the transmitter's antenna to its full length for best reception.
- Turn on the transmitter and the Hummer H2. The headlights and the LED indicator illuminate.
- Select the specific frequency by setting the **Band ABC** switch on the transmitter and the Hummer H2 to the same band.
- Use the transmitter's speed control trigger to move forward and reverse. Pull the trigger toward the handle to move forward. The headlights illuminate. Pull all the way back for maximum speed. Push the trigger away from the handle to move backward. The taillights illuminate. Release to stop.
- Use the transmitter's steering wheel control to turn the Hummer H2 left and right. Release the steering wheel to drive straight.
- Turn the transmitter and the vehicle off when you finish playing with it.



Box Wrench

Use the box wrench to remove and/or replace the Hummer H2's wheels.

Step Four

Adjusting the Trim Controls

Trim I

The transmitter's neutral trim control lets you fine-tune the speed control so the Hummer H2 stops completely when you release the speed control to its center position. If Trim I is set too far to the left, the vehicle will move backward. If it is set too far to the right, the vehicle may continue forward.

Trim II

The transmitter's steering trim control lets you fine-tune the steering so the Hummer H2 drives in a straight line. If it is set too far to the left or right, the vehicle may drive in those directions.

- Turn the Hummer H2 over on its side so the tires do not touch the ground.
- Turn on the transmitter and the Hummer H2.
- If the tires move, turn **Trim I** until the tires stop.
- If the front tires appear to angle left or right, adjust **Trim II** until the tires appear to be straight.
- When you finish your adjustments, turn off the transmitter and the Hummer H2.

Do not touch the tires or the steering control during this adjustment. You may have to fine-tune the trim controls after using the Hummer H2 for a while.

Never set Trim I to make the Hummer H2 continually move.

Care & Use

- Use extreme care when running the Hummer H2. It can reach much higher speeds (up to 1200 feet per minute) than most remote-controlled cars.
- Avoid high-impact collisions with people or objects when you drive the Hummer H2.
- Do not touch the motor immediately after using the Hummer H2, as it might become hot during use.
- Do not play with your Hummer H2 in the street.
- If your Hummer H2 gets stuck under an object, immediately release the transmitter's control levers and retrieve the Hummer H2.
- Keep the Hummer H2 dry. If it gets wet, dry it immediately. Use and store the Hummer H2 in normal temperature environments.
- Wipe the Hummer H2 with a damp cloth to keep it looking new. Keep it away from dust and dirt.

The FCC Wants You to Know

Your Hummer H2 might cause TV or radio interference even when it is operating properly. To determine whether your Hummer H2 is causing the interference, turn off your Hummer H2. If the interference goes away, your Hummer H2 is causing it. Try to eliminate the interference by:

- moving your Hummer H2 away from the receiver
- contacting your local RadioShack store for help

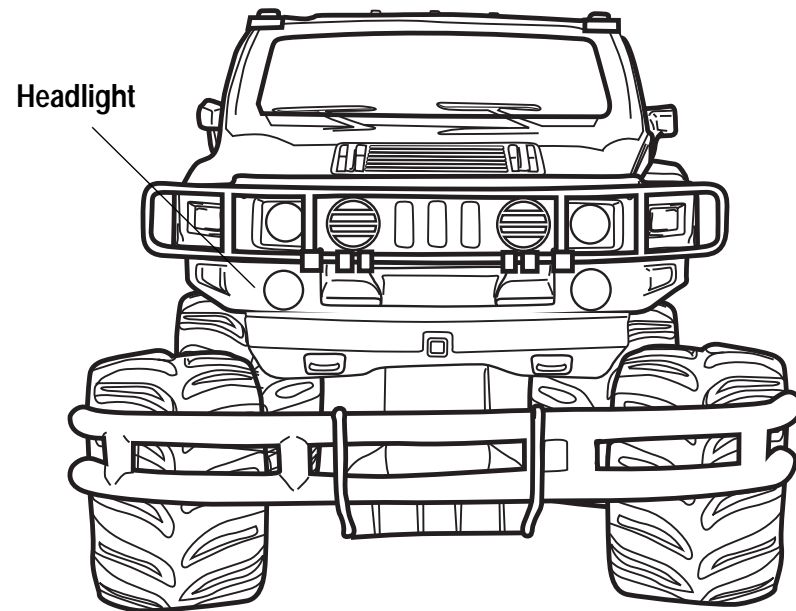
If you cannot eliminate the interference, the FCC requires that you stop using your Hummer H2.

This device complies with Part 15 of the FCC Rules. Operation is subject to the following two conditions: (1) this device may not cause harmful interference, and (2) this device must accept any interference received, including interference that may cause undesired operation. Changes or modifications to this product not expressly approved by RadioShack, or operation of this product in any way other than as detailed by the Owner's Manual, could void your authority to operate the product.

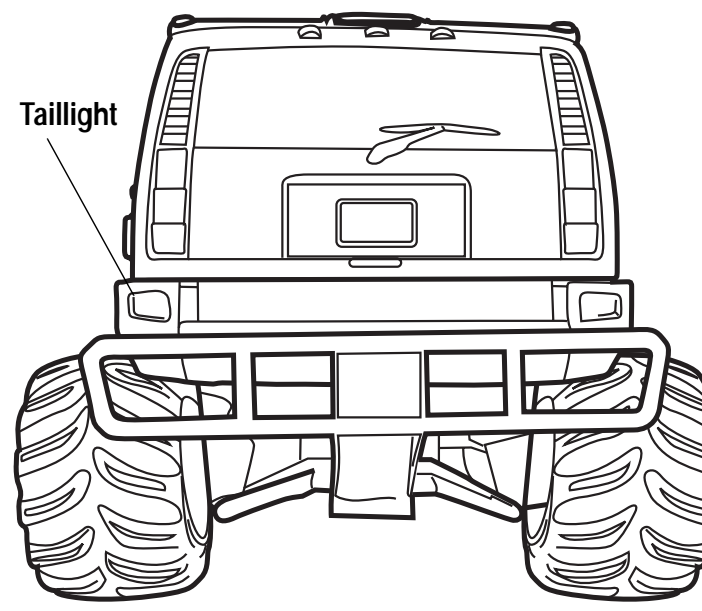
Important: The EPA certified RBRC® Battery Recycling Seal on the nickel-cadmium (Ni-Cd) battery indicates RadioShack is voluntarily participating in an industry program to collect and recycle these batteries at the end of their useful life, when taken out of service in the United States or Canada. The RBRC program provides a convenient alternative to placing used Ni-Cd batteries into the trash or the municipal waste stream, which may be illegal in your area. Please call 1-800-THE-SHACK (1-800-843-7422) for information on Ni-Cd battery recycling and disposal bans/restrictions in your area. RadioShack's involvement in this program is part of the company's commitment to preserving our environment and conserving our natural resources.



Front View of Hummer H2

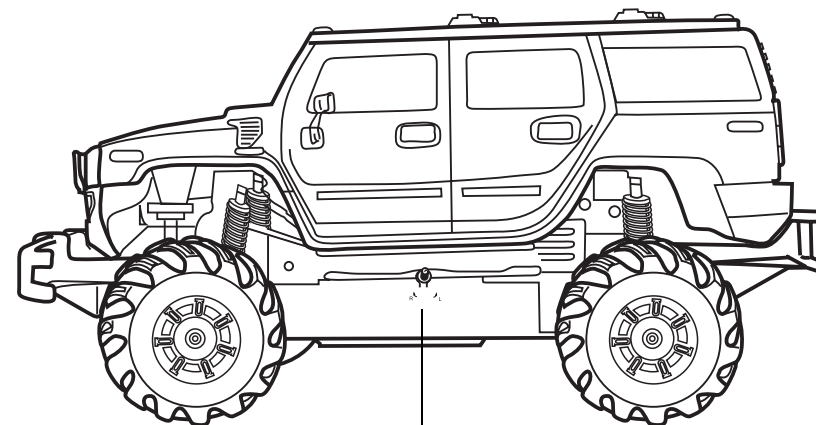


Rear View of Hummer H2



Helpful Hints

- Your Hummer H2 comes in three frequencies so you and your friends can play together. If you race other remote-controlled cars, be sure to set your Hummer H2 and transmitter to a different frequency than your playmate.
- Driving your Hummer H2 for long periods of time can cause a high heat level, which causes wear and tear on the motor. To help keep heat levels down, let your vehicle cool for 10 minutes before installing a new battery pack.
- If you want to run your Hummer H2 for extended periods, we suggest you buy an extra battery pack. You can charge one while you use the other.
- If the Hummer H2 moves slowly or not at all, and you have installed a fresh battery pack, check the wheel mechanisms for lint, hair, dust or thread.
- If the Hummer H2's motor runs, but does not respond to the transmitter, move closer to the Hummer H2 and try again.
- If someone uses a CB nearby, it might interfere with control of your Hummer H2. If this happens, move your Hummer H2 away from the CB.
- You cannot operate the Hummer H2 near devices with transmitters that use the same frequency as your Hummer H2 (27 MHz with three bands).
- If the Hummer H2 does not drive in a straight line, adjust the wheel alignment control on the side of the Hummer H2. If it pulls to the right, slide the control toward L. If it pulls to the left, slide the control toward R.



Battery Notes

- Use only fresh batteries of the required size and recommended type.
- Do not mix old and new batteries, different types of batteries (standard, alkaline, or rechargeable), or rechargeable batteries of different capacities.
- If you do not plan to use your Hummer H2 for a week or more, remove the battery from the transmitter and the battery pack from the Hummer H2. Batteries can leak chemicals that may destroy electronic parts.
- Never leave dead or weak batteries in the Hummer H2 or transmitter.
- Be sure the battery pack's connectors and wires do not touch any of the Hummer H2's moving parts.
- Use the recommended battery pack and charger only.
- If your Hummer H2 does not respond to the transmitter, replace the 9V batteries in the Hummer H2 and the transmitter. If the Hummer H2 loses power, replace or recharge the battery pack.
- After you charge the battery pack, disconnect it from the charger. Overcharging the battery pack could damage it.
- When you disconnect the battery pack from the charger, do not pull on the connector's wires. You might damage the battery pack.
- Dispose of batteries promptly and properly. Do not burn or bury them.

Limited Ninety-Day Warranty

This product is warranted by RadioShack against manufacturing defects in material and workmanship under normal use for ninety (90) days from the date of purchase from RadioShack company-owned stores and authorized RadioShack franchisees and dealers. EXCEPT AS PROVIDED HEREIN, RadioShack MAKES NO EXPRESS WARRANTIES AND ANY IMPLIED WARRANTIES, INCLUDING THOSE OF MERCHANTABILITY AND FITNESS FOR A PARTICULAR PURPOSE, ARE LIMITED IN DURATION TO THE DURATION OF THE WRITTEN LIMITED WARRANTIES CONTAINED HEREIN. EXCEPT AS PROVIDED HEREIN, RadioShack SHALL HAVE NO LIABILITY OR RESPONSIBILITY TO CUSTOMER OR ANY OTHER PERSON OR ENTITY WITH RESPECT TO ANY LIABILITY, LOSS OR DAMAGE CAUSED DIRECTLY OR INDIRECTLY BY USE OR PERFORMANCE OF THE PRODUCT OR ARISING OUT OF ANY BREACH OF THIS WARRANTY, INCLUDING, BUT NOT LIMITED TO, ANY DAMAGES RESULTING FROM INCONVENIENCE, LOSS OF TIME, DATA, PROPERTY, REVENUE, OR PROFIT OR ANY INDIRECT, SPECIAL, INCIDENTAL, OR CONSEQUENTIAL DAMAGES, EVEN IF RadioShack HAS BEEN ADVISED OF THE POSSIBILITY OF SUCH DAMAGES.

Some states do not allow limitations on how long an implied warranty lasts or the exclusion or limitation of incidental or consequential damages, so the above limitations or exclusions may not apply to you. In the event of a product defect during the warranty period, take the product and the RadioShack sales receipt as proof of purchase date to any RadioShack store. RadioShack will, at its option, unless otherwise provided by law: (a) correct the defect by product repair without charge for parts and labor; (b) replace the product with one of the same or similar design; or (c) refund the purchase price. All replaced parts and products, and products on which a refund is made, become the property of RadioShack. New or reconditioned parts and products may be used in the performance of warranty service. Repaired or replaced parts and products are warranted for the remainder of the original warranty period. You will be charged for repair or replacement of the product made after the expiration of the warranty period.

This warranty does not cover: (a) damage or failure caused by or attributable to acts of God, abuse, accident, misuse, improper or abnormal usage, failure to follow instructions, improper installation or maintenance, alteration, lightning or other incidence of excess voltage or current; (b) any repairs other than those provided by a RadioShack Authorized Service Facility; (c) consumables such as fuses or batteries; (d) cosmetic damage; (e) transportation, shipping or insurance costs; or (f) costs of product removal, installation, set-up service adjustment or reinstallation.

This warranty gives you specific legal rights, and you may also have other rights which vary from state to state.

RadioShack Customer Relations, 200 Taylor Street, 6th Floor, Fort Worth, TX 76102

12/99