

BOSTITCH®

N52FN/N62FN

INDUSTRIAL OIL FREE ANGLED FINISH NAILERS
CLAVADORA INDUSTRIAL EN BARRA ANGULA LIBRE DE LUBRICACIÓN
CLOUEURS INDUSTRIEL DE FINITION EN BANDES SANS HUILE



OPERATION and MAINTENANCE MANUAL **MANUAL DE OPERACIÓN Y DE MANTENIMIENTO** **MANUEL D'INSTRUCTIONS ET D'ENTRETIEN**

⚠ WARNING:

⚠ ADVERTENCIA:

⚠ ATTENTION:

BEFORE OPERATING THIS TOOL, ALL OPERATORS SHOULD STUDY THIS MANUAL TO UNDERSTAND AND FOLLOW THE SAFETY WARNINGS AND INSTRUCTIONS. KEEP THESE INSTRUCTIONS WITH THE TOOL FOR FUTURE REFERENCE. IF YOU HAVE ANY QUESTIONS, CONTACT YOUR BOSTITCH REPRESENTATIVE OR DISTRIBUTOR.

ANTES DE OPERAR ESTA HERRAMIENTA, TODOS LOS OPERADORES DEBERÁN ESTUDIAR ESTE MANUAL PARA PODER COMPRENDER Y SEGUIR LAS ADVERTENCIAS SOBRE SEGURIDAD Y LAS INSTRUCCIONES. MANTENGA ESTAS INSTRUCCIONES CON LA HERRAMIENTA PARA FUTURA REFERENCIA, SI TIENE ALGUNA DUDA, COMUNÍQUESE CON SU REPRESENTANTE DE BOSTITCH O CON SU DISTRIBUIDOR.

LIRE ATTENTIVEMENT LE PRÉSENT MANUEL AVANT D'UTILISER L'APPAREIL. PRÊTER UNE ATTENTION TOUTE PARTICULIÈRE AUX CONSIGNES DE SÉCURITÉ ET AUX AVERTISSEMENTS. GARDER CE MANUEL AVEC L'OUTIL POUR FUTUR RÉFÉRENCE. SI VOUS AVEZ DES QUESTIONS, CONTACTEZ VOTRE REPRÉSENTANT OU VOTRE CONCESSIONNAIRE BOSTITCH.

INTRODUCTION

The Bostitch N52FN/N62FN series nailers are precision-built tools, designed for precise high volume nailing. These tools will deliver efficient, dependable service when used correctly and with care. As with any fine power tool, for best performance the manufacturer's instructions must be followed. Please study this manual before operating the tool and understand the safety warnings and cautions. The instructions on installation, operation and maintenance should be read carefully, and the manuals kept for reference. NOTE: Additional safety measures may be required because of your particular application of the tool. Contact your Bostitch representative or distributor with any questions concerning the tool and its use. Bostitch, Inc., East Greenwich, Rhode Island 02818.

INDEX

| | |
|--|----------|
| Safety Instructions | 3 |
| Tool Specifications | 4 |
| Air Supply: Fittings, Hoses, Filters, Air Consumption, Regulators, Operating Pressure, Setting Correct Pressure | 5 |
| Loading the Tool | 6 |
| Tool Operation | 7, 8 & 9 |
| Maintaining the Pneumatic Tool | 9 |
| Trouble Shooting | 10 |
| Dial-A-Depth™ Fastener Control Adjustment | 11 |
| Accessories | 12 |

NOTE:

Bostitch tools have been engineered to provide excellent customer satisfaction and are designed to achieve maximum performance when used with precision Bostitch fasteners engineered to the same exacting standards. **Bostitch cannot assume responsibility for product performance if our tools are used with fasteners or accessories not meeting the specific requirements established for genuine Bostitch nails, staples and accessories.**



LIMITED WARRANTY — U.S. and Canada Only

Effective December 1, 2005 Bostitch, L.P. warrants to the original retail purchaser that the product purchased is free from defects in material and workmanship, and agrees to repair or replace, at Bostitch's option, any defective Bostitch branded pneumatic stapler or nailer for a period of seven (7) years from date of purchase (one (1) year from the date of purchase for compressors and tools used in production applications). Warranty is not transferable. Proof of purchase date required. This warranty covers only damage resulting from defects in material or workmanship; it does not cover conditions or malfunctions resulting from normal wear, neglect, abuse, accident or repairs attempted or made by other than our national repair center or authorized warranty service centers. Driver blades, bumpers, o-rings, pistons and piston rings are considered normally wearing parts. For optimal performance of your Bostitch tool always use genuine Bostitch fasteners and replacement parts.

THIS WARRANTY IS IN LIEU OF ALL OTHER WARRANTIES, EXPRESS OR IMPLIED, INCLUDING BUT NOT LIMITED TO THE IMPLIED WARRANTIES OF MERCHANTABILITY OR FITNESS FOR A PARTICULAR PURPOSE. BOSTITCH SHALL NOT BE LIABLE FOR ANY INCIDENTAL OR CONSEQUENTIAL DAMAGES.

Some states and countries do not allow limitations on how long an implied warranty lasts, or the exclusion or limitation of incidental or consequential damages, so the above limitations or exclusions may not apply to you. This warranty gives you specific legal rights, and you may also have other rights which vary from state to state and country to country.

To obtain warranty service in the U.S. return the product, together with proof of purchase, to the U.S. Bostitch National or Regional Independent Authorized Warranty Service Center. In the U.S. you may call us at 1-800-556-6696 or visit www.BOSTITCH.com for the location most convenient for you. In Canada please call us at 800-567-7705 or visit www.BOSTITCH.com

SAFETY INSTRUCTIONS

▲WARNING:

EYE PROTECTION which conforms to ANSI specifications and provides protection against flying particles both from the FRONT and SIDE should ALWAYS be worn by the operator and others in the work area when connecting to air supply, loading, operating or servicing this tool. Eye protection is required to guard against flying fasteners and debris, which could cause severe eye injury.



The employer and/or user must ensure that proper eye protection is worn. Eye protection equipment must conform to the requirements of the American National Standards Institute, ANSI Z87.1 and provide both frontal and side protection. NOTE: Non-side shielded spectacles and face shields alone do not provide adequate protection.



CAUTION: Additional Safety Protection will be required in some environments. For example, the working area may include exposure to noise level which can lead to hearing damage. The employer and user must ensure that any necessary hearing protection is provided and used by the operator and others in the work area. Some environments will require the use of head protection equipment. When required, the employer and user must ensure that head protection conforming to ANSI Z89.1 is used.

AIR SUPPLY AND CONNECTIONS

▲WARNING:

Do not use oxygen, combustible gases, or bottled gases as a power source for this tool as tool may explode, possibly causing injury.

▲WARNING:

Do not use supply sources which can potentially exceed 200 P.S.I.G. as tool may burst, possibly causing injury.

▲WARNING:

The connector on the tool must not hold pressure when air supply is disconnected. If a wrong fitting is used, the tool can remain charged with air after disconnecting and thus will be able to drive a fastener even after the air line is disconnected possibly causing injury.

▲WARNING:

Do not pull trigger or depress contact arm while connected to the air supply as the tool may cycle, possibly causing injury.

▲WARNING:

Always disconnect air supply: 1.) Before making adjustments; 2.) When servicing the tool; 3.) When clearing a jam; 4.) When tool is not in use; 5.) When moving to a different work area, as accidental actuation may occur, possibly causing injury.

LOADING TOOL

▲WARNING:

When loading tool: 1.) Never place a hand or any part of body in fastener discharge area of tool; 2.) Never point tool at anyone; 3.) Do not pull the trigger or depress the trip as accidental actuation may occur, possibly causing injury.

OPERATION

▲WARNING:

Always handle the tool with care: 1.) Never engage in horseplay; 2.) Never pull the trigger unless nose is directed toward the work; 3.) Keep others a safe distance from the tool while tool is in operation as accidental actuation may occur, possibly causing injury.

▲WARNING:

The operator must not hold the trigger pulled on contact arm tools except during fastening operation as serious injury could result if the trip accidentally contacted someone or something, causing the tool to cycle.

▲WARNING:

Keep hands and body away from the discharge area of the tool. A contact arm tool may bounce from the recoil of driving a fastener and an unwanted second fastener may be driven possibly causing injury.

▲WARNING:

Check operation of the contact arm mechanism frequently. Do not use the tool if the arm is not working correctly as accidental driving of a fastener may result. Do not interfere with the proper operation of the contact arm mechanism.

▲WARNING:

Do not drive fasteners on top of other fasteners or with the tool at an overly steep angle as this may cause deflection of fasteners which could cause injury.

▲WARNING:

Do not drive fasteners close to the edge of the work piece as the wood may split, allowing the fastener to be deflected possibly causing injury.

▲WARNING:

This nailer produces SPARKS during operation. NEVER use the nailer near flammable substances, gases or vapors including lacquer, paint, benzene, thinner, gasoline, adhesives, mastics, glues or any other material that is – or the vapors, fumes or byproducts of which are – flammable, combustible or explosive. Using the nailer in any such environment could cause an EXPLOSION resulting in personal injury or death to user and bystanders.

MAINTAINING THE TOOL

▲WARNING:

When working on air tools note the warnings in this manual and use extra care when evaluating problem tools.

N52FN/N62FN TOOL SPECIFICATIONS

All screws and nuts are metric.

| MODEL | LENGTH | HEIGHT | WIDTH | WEIGHT |
|-------|-------------------|-----------------|---------------|-----------------|
| N52FN | 14-11/16" (373mm) | 10" (254mm) | 3-1/4" (83mm) | 3.7lbs (1.69kg) |
| N62FN | 14-11/16" (373mm) | 11-5/8" (295mm) | 3-1/4" (83mm) | 3.8lbs (1.75kg) |

FASTENER SPECIFICATIONS:

| TOOL MODEL | NAIL SERIES | GAUGE | WIRE SIZE | FASTENER RANGE |
|------------|-------------|-------|---------------|-------------------------|
| N52FN | FN1600 | 16 | .060 (1.52mm) | 1"-2" (25mm-50mm) |
| N62FN | FN1500 | 15 | .072 (1.82mm) | 1" - 2-1/2" (25mm-63mm) |

TOOL AIR FITTING:

This tool uses a 1/4" N.P.T. male plug. The inside diameter should be .200" (5mm) or larger. The fitting must be capable of discharging tool air pressure when disconnected from the air supply.

OPERATING PRESSURE:

70 to 120 p.s.i.g. (4.9 to 8.4 kg/cm²). Select the operating pressure within this range for best fastener performance. **DO NOT EXCEED THIS RECOMMENDED OPERATING PRESSURE.**

AIR CONSUMPTION:

Model N52FN requires 4.0 cubic feet per minute and Model N62FN requires 5.3 cubic feet per minute of free air to operate at the rate of 60 fasteners per minute, at 80 p.s.i.g. To calculate the actual rate at which the tool will be run to determine the amount of air required, for example; if your usage averages 30 fasteners per minute, you need 50% of the 4.0 c.f.m. or 5.3 c.f.m. which is required for running at 60 fasteners per minute.

OPERATION

BOSTITCH OFFERS THREE TYPES OF OPERATION FOR THIS SERIES TOOL.

CONTACT TRIP

The common operating procedure on "Contact Trip" tools is for the operator to contact the work to actuate the trip mechanism while keeping the trigger pulled, thus driving a fastener each time the work is contacted. This will allow rapid fastener placement on many jobs, such as sheathing, decking and pallet assembly. All pneumatic tools are subject to recoil when driving fasteners. The tool may bounce, releasing the trip, and if unintentionally allowed to recontact the work surface with the trigger still actuated (finger still holding trigger pulled) an unwanted second fastener will be driven.

SEQUENTIAL TRIP

The Sequential Trip requires the operator to hold the tool against the work before pulling the trigger. This makes accurate fastener placement easier, for instance on framing, toe nailing and crating applications. The Sequential Trip allows exact fastener location without the possibility of driving a second fastener on recoil, as described under "Contact Trip". The Sequential Trip Tool has a positive safety advantage because it will not accidentally drive a fastener if the tool is contacted against the work – or anything else – while the operator is holding the trigger pulled.

TRIGGER OPERATED

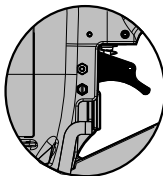
The Trigger Operated model is cycled by actuation of the trigger **ONLY**. This model does not have a Contact Arm and is intended for use only where a Contact Arm **CANNOT** be used to satisfy the requirements of the application. The Trigger Operated tool will cycle each time the trigger is actuated.

MODEL IDENTIFICATION:

Refer to Operation Instructions on page 4 before proceeding to use this tool.

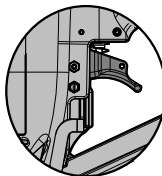
CONTACT TRIP

Identified by:
BLACK TRIGGER



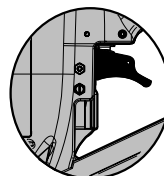
SEQUENTIAL TRIP

Identified by:
GRAY TRIGGER



TRIGGER OPERATED

Identified by:
BLACK TRIGGER



AIR SUPPLY AND CONNECTIONS

⚠WARNING:

Do not use oxygen, combustible gases, or bottled gases as a power source for this tool as tool may explode, possibly causing injury.

FITTINGS:

Install a male plug on the tool which is free flowing and which will release air pressure from the tool when disconnected from the supply source.

HOSES:

Air hoses should have a minimum of 150 p.s.i. (10.6 kg/cm²) working pressure rating or 150 percent of the maximum pressure that could be produced in the air system. The supply hose should contain a fitting that will provide "quick disconnecting" from the male plug on the tool.

SUPPLY SOURCE:

Use only clean regulated compressed air as a power source for this tool. **NEVER USE OXYGEN, COMBUSTIBLE GASES, OR BOTTLED GASES, AS A POWER SOURCE FOR THIS TOOL AS TOOL MAY EXPLODE.**

REGULATOR:

A pressure regulator with an operating pressure of 0 - 125 p.s.i. (0 - 8.79 KG/CM²) is required to control the operating pressure for safe operation of this tool. Do not connect this tool to air pressure which can potentially exceed 200 p.s.i. (14 KG/CM²) as tool may fracture or burst, possibly causing injury.

OPERATING PRESSURE:

Do not exceed recommended maximum operating pressure as tool wear will be greatly increased. The air supply must be capable of maintaining the operating pressure at the tool. Pressure drops in the air supply can reduce the tool's driving power. Refer to "TOOL SPECIFICATIONS" for setting the correct operating pressure for the tool.

FILTER:

Dirt and water in the air supply are major causes of wear in pneumatic tools. A filter will help to get the best performance and minimum wear from the tool. The filter must have adequate flow capacity for the specific installation. The filter has to be kept clean to be effective in providing clean compressed air to the tool. Consult the manufacturer's instructions on proper maintenance of your filter. A dirty and clogged filter will cause a pressure drop which will reduce the tool's performance.

LOADING THE N52FN/N62FN

⚠WARNING:

EYE PROTECTION which conforms to ANSI specifications and provides protection against flying particles both from the FRONT and SIDE should ALWAYS be worn by the operator and others in the work area when connecting to air supply, loading, operating or servicing this tool. Eye protection is required to guard against flying fasteners and debris, which could cause severe eye injury.



The employer and/or user must ensure that proper eye protection is worn. Eye protection equipment must conform to the requirements of the American National Standards Institute, ANSI Z87.1 and provide both frontal and side protection.

NOTE: Non-side shielded spectacles and face shields alone do not provide adequate protection.

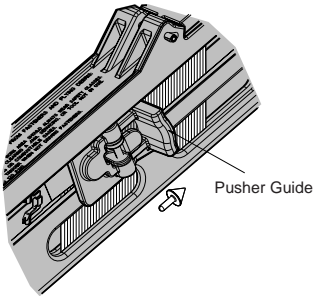
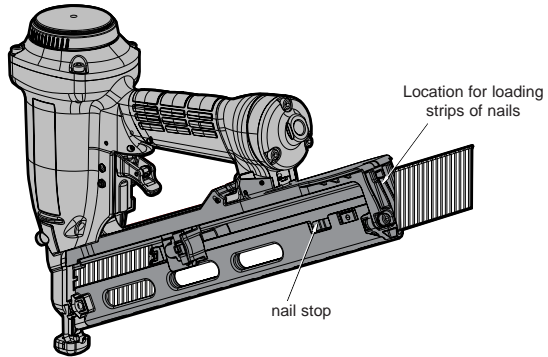
⚠WARNING:

TO PREVENT ACCIDENTAL INJURIES:

- Never place a hand or any other part of the body in nail discharge area of tool while the air supply is connected.
- Never point the tool at anyone else.
- Never engage in horseplay.
- Never pull the trigger unless nose is directed at the work.
- Always handle the tool with care.
- Do not pull the trigger or depress the trip mechanism while loading the tool.

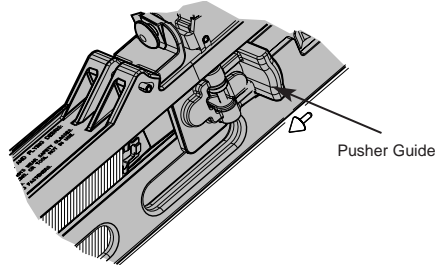
1. Loading Nails

Insert strip of nails into rear of magazine
Note: Strip of nails should pass nail stop (approximately 3/16" (4.76mm) before engaging pusher



2. Engaging Pusher

Pull pusher guide to the rear of tool to engage pusher to strip of nails
Note: Do not touch pusher tab while pulling pusher guide to the rear of tool

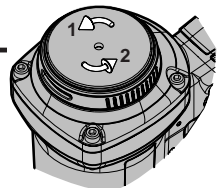


3. Removing Fasteners

Depress the pusher tab slightly to disengage from the nails and slowly slide pusher forward to the nose piece. Replace fasteners. Pull pusher guide to rear of tool and re-engage fasteners

ADJUSTING THE MULTI-DIRECTIONAL EXHAUST

To adjust the multi-directional exhaust simply rotate the exhaust deflector in a desired position as illustrated arrows 1 & 2



TOOL OPERATION

⚠WARNING:



EYE PROTECTION which conforms to ANSI specifications and provides protection against flying particles both from the FRONT and SIDE should ALWAYS be worn by the operator and others in the work area when connecting to air supply, loading, operating or servicing this tool. Eye protection is required to guard against flying fasteners and debris, which could cause severe eye injury.

The employer and/or user must ensure that proper eye protection is worn. Eye protection equipment must conform to the requirements of the American National Standards Institute, ANSI Z87.1 and provide both frontal and side protection.

NOTE: Non-side shielded spectacles and face shields alone do not provide adequate protection.

BEFORE HANDLING OR OPERATING THIS TOOL:

- I. READ AND UNDERSTAND THE WARNINGS CONTAINED IN THIS MANUAL.
- II. REFER TO "TOOL SPECIFICATIONS" IN THIS MANUAL TO IDENTIFY THE OPERATING SYSTEM ON YOUR TOOL.

There are three available systems on BOSTITCH pneumatic tools. They are:

1. TRIGGER OPERATION
2. CONTACT TRIP OPERATION
3. SEQUENTIAL TRIP OPERATION

OPERATION

1. TRIGGER OPERATION

The TRIGGER OPERATED tool requires a single action to drive a fastener. Each time the trigger is pulled the tool will drive a fastener. The trigger operated model is intended for use only when a contact trip or sequential trip cannot be used due to the requirements of the application.

2. CONTACT TRIP OPERATION

The CONTACT TRIP MODEL tool contains a contact trip that operates in conjunction with the trigger to drive a fastener. There are two methods of operation to drive fasteners with a contact trip tool.

- A. SINGLE FASTENER PLACEMENT: To operate the tool in this manner, first position the contact trip on the work surface, WITHOUT PULLING THE TRIGGER. Depress the contact trip until the nose touches the work surface and then pull the trigger to drive a fastener. Do not press the tool against the work with extra force. Instead, allow the tool to recoil off the work surface to avoid a second unwanted fastener. Remove your finger from the trigger after each operation.
- B. RAPID FASTENER OPERATION: To operate the tool in this manner, hold the tool with the contact trip pointing towards but not touching the work surface. Pull the trigger and then tap the contact trip against the work surface using a bouncing motion. Each depression of the contact trip will cause a fastener to be driven.

⚠WARNING:

The operator must not hold the trigger pulled on contact trip tools except during fastening operation, as serious injury could result if the trip accidentally contacted someone or something, causing the tool to cycle.

⚠WARNING:

Keep hands and body away from the discharge area of the tool. A contact trip tool may bounce from the recoil of driving a fastener and an unwanted second fastener may be driven, possibly causing injury.

3. SEQUENTIAL TRIP OPERATION:

The SEQUENTIAL TRIP MODEL contains a contact trip that operates in conjunction with the trigger to drive a fastener. To operate a sequential trip tool, first position the contact trip on the work surface WITHOUT PULLING THE TRIGGER. Depress the contact trip and then pull the trigger to drive a fastener. As long as the contact trip is contacting the work and is held depressed, the tool will drive a fastener each time the trigger is depressed. If the contact trip is allowed to leave the work surface, the sequence described above must be repeated to drive another fastener.

TOOL OPERATION CHECK:

CAUTION: Remove all fasteners from tool before performing tool operation check.

1. TRIGGER OPERATED TOOL:

- A. With finger off the trigger, hold the tool with a firm grip on the handle.
- B. Place the nose of the tool against the work surface.
- C. Pull the trigger to drive. Release the trigger and cycle is complete.

CAUTION: THE TOOL WILL CYCLE EACH TIME THE TRIGGER IS PULLED!

2. CONTACT TRIP OPERATION:

- A. With finger off the trigger, press the contact trip against the work surface.
THE TOOL MUST NOT CYCLE.
- B. Hold the tool off the work surface, and pull the trigger.
THE TOOL MUST NOT CYCLE.
- C. With the tool off the work surface, pull the trigger. Press the contact trip against the work surface.
THE TOOL MUST CYCLE.
- D. Without touching the trigger, press the contact trip against the work surface, then pull the trigger.
THE TOOL MUST CYCLE.

3. SEQUENTIAL TRIP OPERATION:

- A. Press the contact trip against the work surface, without touching the trigger.
THE TOOL MUST NOT CYCLE.
- B. Hold the tool off the work surface and pull the trigger.
THE TOOL MUST NOT CYCLE.
Release the trigger. The trigger must return to the trigger stop on the frame.
- C. Pull the trigger and press the contact trip against the work surface.
THE TOOL MUST NOT CYCLE.
- D. With finger off the trigger, press the contact trip against the work surface. Pull the trigger.
THE TOOL MUST CYCLE.

IN ADDITION TO THE OTHER WARNINGS CONTAINED IN THIS MANUAL OBSERVE THE FOLLOWING FOR SAFE OPERATION

- Use the BOSTITCH pneumatic tool only for the purpose for which it was designed.
- Never use this tool in a manner that could cause a fastener to be directed toward the user or others in the work area.
- Do not use the tool as a hammer.
- Always carry the tool by the handle. Never carry the tool by the air hose.
- Do not alter or modify this tool from the original design or function without approval from BOSTITCH, INC.
- Always be aware that misuse and improper handling of this tool can cause injury to yourself and others.
- Never clamp or tape the trigger or contact trip in an actuated position.
- Never leave a tool unattended with the air hose attached.
- Do not operate this tool if it does not contain a legible WARNING LABEL.
- Do not continue to use a tool that leaks air or does not function properly. Notify your nearest BOSTITCH representative if your tool continues to experience functional problems.

MAINTAINING THE PNEUMATIC TOOL

⚠WARNING: When working on air tools, note the warnings in this manual and use extra care evaluating problem tools.

CAUTION: Pusher spring (constant force spring). Caution must be used when working with the spring assembly. The spring is wrapped around, but not attached to, a roller. If the spring is extended beyond its length, the end will come off the roller and the spring will roll up with a snap, with a chance of pinching your hand. Also the edges of the spring are very thin and could cut. Care must also be taken to insure no permanent kinks are put in the spring as this will reduce the springs force.

REPLACEMENT PARTS:

BOSTITCH replacement parts are recommended. Do not use modified parts or parts which will not give equivalent performance to the original equipment.

AIR SUPPLY-PRESSURE AND VOLUME:

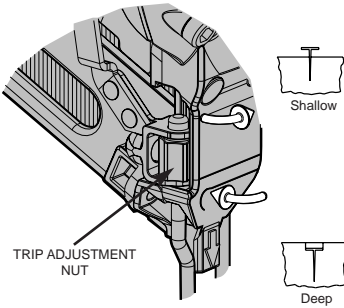
Air volume is as important as air pressure. The air volume supplied to the tool may be inadequate because of undersize fittings and hoses, or from the effects of dirt and water in the system. Restricted air flow will prevent the tool from receiving an adequate volume of air, even though the pressure reading is high. The results will be slow operation, misfeeds or reduced driving power. Before evaluating tool problems for these symptoms, trace the air supply from the tool to the supply source for restrictive connectors, swivel fittings, low points containing water and anything else that would prevent full volume flow of air to the tool.

TROUBLE SHOOTING

| PROBLEM | CAUSE | CORRECTION |
|--|---|--|
| Trigger valve housing leaks air | O-ring cut or cracked | Replace O-ring |
| Trigger valve stem leaks air | O-ring/seals cut or cracked | Replace trigger valve assembly |
| Frame/nose leaks air | Loose nose screws | Tighten and recheck |
| | O-ring or Gasket is cut or cracked | Replace O-ring or gasket |
| Frame/cap leaks air | Bumper cracked/worn | Replace bumper |
| | Damaged gasket or seal | Replace gasket or seal |
| Failure to cycle | Cracked/worn head valve bumper | Replace bumper |
| | Loose cap screws | Tighten and recheck |
| | Air supply restriction | Check air supply equipment |
| | Worn head valve O-rings | Replace O-rings |
| Lack of power; slow to cycle | Broken cylinder cap spring | Replace cylinder cap spring |
| | Broken cylinder cap spring | Replace cap spring |
| | O-rings/seals cut or cracked | Replace O-rings/seals |
| | Exhaust blocked | Check bumper, head valve spring, muffler |
| | Trigger assembly worn/leaks | Replace trigger assembly |
| | Dirt/tar build up on driver | Disassemble nose/driver to clean |
| | Cylinder sleeve not seated correctly on bottom bumper | Disassemble to correct |
| | Head valve dry | Disassemble/lubricate |
| | Air pressure too low | Check air supply equipment |
| | Skipping fasteners; intermittent feed | Worn bumper |
| Tar/dirt in driver channel | | Disassemble and clean nose and driver |
| Air restriction/inadequate air flow through quick disconnect socket and plug | | Replace quick disconnect fittings |
| Worn piston O-ring | | Replace O-ring, check driver |
| Damaged pusher spring | | Replace spring |
| Low air pressure | | Check air supply system to tool |
| Loose magazine nose screws | | Tighten all screws |
| Fasteners too short for tool | | Use only recommended fasteners |
| Bent fasteners | | Discontinue using these fasteners |
| Wrong size fasteners | | Use only recommended fasteners |
| Leaking head cap gasket | | Tighten screws/replace gasket |
| Trigger valve O-ring cut/worn | | Replace O-ring |
| Broken/chipped driver | | Replace driver (check piston O-ring) |
| Worn magazine | | Replace magazine |
| Fasteners jam in tool | | Driver channel worn |
| | Wrong size fasteners | Use only recommended fasteners |
| | Bent fasteners | Discontinue using these fasteners |
| | Loose magazine/nose screws | Tighten all screws |
| | Broken/chipped driver | Replace driver |

WARNING: Always disconnect air supply: 1. Before making adjustments; 2. When servicing the tool; 3. When clearing a jam; 4. When tool is not in use; 5. When moving to a different work area, as accidental actuation may occur, possibly causing injury.

“DIAL-A-DEPTH™” FASTENER CONTROL ADJUSTMENT



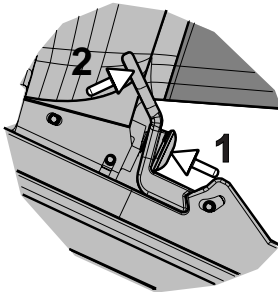
The DIAL-A-DEPTH™ Fastener Control adjustment feature provides close control of the fastener drive depth; from flush with the work surface to shallow or deep countersink. First, set the air pressure for consistent drive in the specific work as described on page 5, then use the DIAL-A-DEPTH™ Fastener Control adjustment to give the desired depth of drive.

TO ADJUST DIAL-A DEPTH™ FASTENER CONTROL ADJUSTMENT:

JAM RELEASE

Models N52FN and N62FN, contain a Jam Release feature.

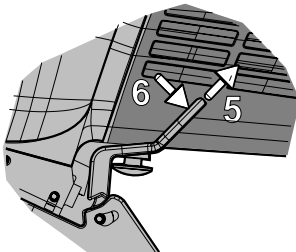
WARNING: ALWAYS DISCONNECT AIR SUPPLY BEFORE CLEARING A JAMMED FASTENER.



Jam Clearing

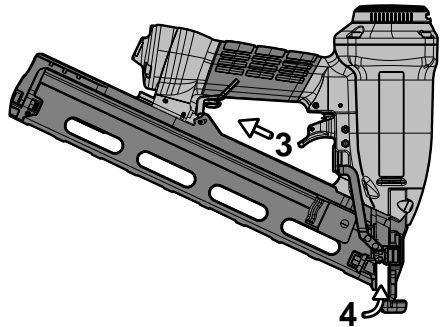
Disconnect air supply from tool.
Relieve fasteners from pusher.

- 1: Depress latch button
- 2: With the latch button depressed, rotate latch assembly upward & forward until latch is on upward position



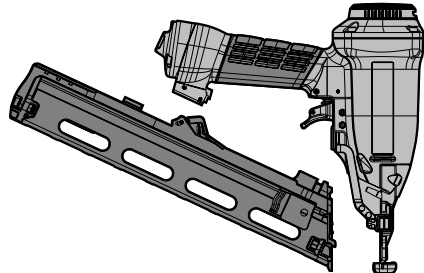
Full Release Of Magazine

- 5: Pull latch upward
- 6: Rotate latch assembly to forward direction



Partial Release Of Magazine

- 3: Slide magazine to rear of tool
- 4: Clear Jam



Magazine Assembly Removal

- 7: Slide the magazine assembly to the rear of tool to disengage. To re-assemble the magazine assembly back on the tool. Reverse the procedures and re-engage the latch to lock the magazine assembly in place

INTRODUCCIÓN

La N52FN/N62FN de Bostitch es una herramienta fabricada con precisión diseñada para trabajos de clavar de alta velocidad y de gran volumen. Estas herramientas darán un servicio eficiente y seguro, siempre y cuando sean utilizadas correctamente y con cuidado. Como con cualquier herramienta automática de calidad, el mejor rendimiento se obtiene siguiendo las indicaciones del fabricante. Por favor, estudie este manual antes de operar esta herramienta y asegúrese de entender perfectamente las advertencias y precauciones de seguridad. Las instrucciones sobre instalación, operación y mantenimiento se deben leer cuidadosamente y el manual deberá conservarse como referencia. **NOTA:** Se pueden requerir medidas adicionales de seguridad en relación con la operación particular que usted destina a la herramienta. Póngase en contacto con su representante o distribuidor de Bostitch en relación con cualquier pregunta o duda relativa a esta herramienta y su uso. Bostitch, Inc., East Greenwich, Rhode Island 02818.

ÍNDICE

| | |
|--|--------|
| Instrucciones de Seguridad | 15 |
| Especificaciones de la Herramienta; Consumo de Aire y Presión de Operación .16 | |
| Suministro de Aire; Conexiones, Mangueras, Filtros, Reguladores | 17 |
| Cómo Cargar la Herramienta | 18 |
| Cómo Operar la Herramienta | 19, 20 |
| Cómo Mantener la Herramienta Neumática | 21 |
| Localización de Fallas | 22 |
| Ajuste del Control de Fondo del Sujetador "Dial-A-Depth™" | 23 |

NOTA:

Las herramientas de Bostitch han sido fabricadas para proporcionar una excelente satisfacción al cliente y están diseñadas para lograr el máximo rendimiento al ser utilizadas con sujetadores de precisión de Bostitch que han sido fabricados a las mismas normas exactas. **Bostitch no puede asumir responsabilidad por el rendimiento de un producto si se utilizan nuestras herramientas con sujetadores o accesorios que no cumplen con los requisitos específicos establecidos para clavos, grapas y accesorios auténticos de Bostitch.**



GARANTÍA LIMITADA — Sólo EE.UU. y Canadá

A partir del 1 de diciembre de 2005 Bostitch, L.P. garantiza al comprador del comerciante original que el producto comprado está exento de defectos en material y fabricación, y se compromete a reparar o reemplazar, a opción de Bostitch, cualquier engrapadora o clavadora neumática defectuosa de marca Bostitch por un período de siete (7) años desde la fecha de compra (un (1) año de la fecha de compra en el caso de compresores y herramientas utilizadas en aplicaciones de producción). La garantía no es transferible. Se requiere presentar evidencia de la fecha de compra. Esta garantía solamente cubre daños resultantes de defectos en material o fabricación, y no cubre condiciones o desperfectos resultantes del desgaste normal, negligencia, abuso, accidente o reparaciones intentadas o efectuadas por terceros ajenos a nuestro centro nacional de reparaciones o a los centros de servicio bajo garantía. Las aspas del impulsor, topes, juntas tóricas, pistones y aros de pistones se consideran componentes de desgaste normal. Para obtener el rendimiento óptimo de la herramienta Bostitch siempre use fijaciones y piezas de repuesto genuinas de Bostitch.

ESTA GARANTÍA SUSTITUYE TODA OTRA GARANTÍA, EXPRESA O IMPLÍCITA, INCLUIDAS ENTRE OTRAS, LAS GARANTÍAS IMPLÍCITAS DE COMERCIABILIDAD O IDONEIDAD PARA UN FIN PARTICULAR. BOSTITCH NO SERÁ RESPONSABLE DE DAÑOS FORTUITOS O CONSECUENCIALES.

Algunos estados y países no permiten limitaciones a la duración de una garantía implícita ni la exclusión o limitación de daños fortuitos o consecuenciales, de modo que las limitaciones o exclusiones anteriores pueden no corresponder a su caso. Esta garantía le concede derechos legales específicos, y usted puede tener también otros derechos que varían de un estado a otro y de un país a otro.

Para obtener servicio bajo garantía en los EE.UU. devuelva el producto, junto con el comprobante de compra, al Centro de Servicio bajo Garantía Autorizado Independiente Nacional o Regional de Bostitch en los EE.UU. Dentro de los EE.UU. usted puede llamarnos al 1-800-556-6696 o visitar www.BOSTITCH.com para ver la ubicación que más le convenga. En Canadá llámenos al 800-567-7705 o visite www.BOSTITCH.com.

INSTRUCCIONES DE SEGURIDAD

⚠ ADVERTENCIA:

Cuando el equipo está conectado al suministro de aire, tanto el operador como todas las personas que se encuentren en el área de trabajo, SIEMPRE deben usar PROTECCIÓN OCULAR que cumpla las especificaciones ANSI para resguardo contra partículas volantes arrojadas desde el FRENTE o los LATERALES. Dicha protección ocular se requiere para proteger contra residuos y remaches volantes, que podrían causar graves lesiones en los ojos.



El empleador y/o usuario debe asegurar que la debida protección para los ojos sea usada. El equipo protector de los ojos debe cumplir con los requisitos del Instituto de Normas Nacionales Americano (American National Standards Institute), ANSI Z87.1 y debe proveer protección de frente y de los lados. NOTA: Las gafas de seguridad que no están protegidas de los lados y las máscaras por sí solas no proveen la debida protección.



PRECAUCIÓN: En algunos entornos será necesaria protección de seguridad adicional. Por ejemplo, es posible que el área de trabajo incluya la exposición a niveles de ruido que pueden dañar el oído. El empleador y el usuario deben asegurarse de que cualquier protección necesaria para los oídos sea provista y utilizada por el operador y demás personas en el área de trabajo. Algunos entornos requieren el uso de aparatos de protección para la cabeza. Cuando sea necesario, el empleador y el usuario deben asegurarse de que se utilice protección para la cabeza en conformidad con la norma ANSI Z89.1.

SUMINISTRO DE AIRE Y CONEXIONES

⚠ ADVERTENCIA:

No utilice oxígeno ni gases combustibles o embotellados como fuente de suministro para esta herramienta, ya que la herramienta puede estallar, posiblemente causando lesiones.

⚠ ADVERTENCIA:

No utilice fuentes de suministro que potencialmente excedan las 14 Kg/cm² (13,8 bars) ya que la herramienta puede estallar, posiblemente causando lesiones.

⚠ ADVERTENCIA:

El conector de la herramienta no debe tener presión al desconectarse el suministro de aire. Si se utiliza una conexión equivocada, la herramienta puede permanecer cargada con aire después de ser desconectada y por lo tanto podrá impulsar un sujetador aún después de que la línea de aire sea desconectada, posiblemente causando lesiones.

⚠ ADVERTENCIA:

No hale el gatillo ni oprima el brazo de contacto mientras la herramienta esté conectada al suministro de aire ya que la herramienta puede ciclarse, posiblemente causando lesiones.

⚠ ADVERTENCIA:

Siempre desconecte el suministro de aire: 1.) Antes de efectuar ajustes; 2.) Al hacerle servicio a la herramienta; 3.) Al despejar un atascamiento; 4.) Cuando la herramienta no esté en uso; 5.) Al mudarse de un área distinta de trabajo, ya que se puede activar accidentalmente, posiblemente causando lesiones.

AL CARGAR LA HERRAMIENTA

⚠ ADVERTENCIA:

Al cargar la herramienta: 1.) Nunca coloque una mano o cualquier otra parte del cuerpo en el área de descarga del sujetador de la herramienta; 2.) Nunca apunte la herramienta hacia otra persona; 3.) No hale el gatillo ni oprima el disparador ya que se puede activar accidentalmente, posiblemente causando lesiones.

OPERACIÓN

⚠ ADVERTENCIA:

Siempre maneje la herramienta con cuidado. 1.) Nunca participe en juegos rudos con la herramienta; 2.) Nunca hale el gatillo al menos que la nariz esté apuntada hacia el trabajo; 3.) Mantenga a las demás personas a una distancia segura de la herramienta mientras la herramienta esté en operación ya que se puede activar accidentalmente, causando posibles lesiones.

⚠ ADVERTENCIA:

No mantenga el gatillo halado en las herramientas del brazo de contacto, salvo durante la operación de engrapado, ya que pueden resultar serias lesiones si el disparador accidentalmente se pusiera en contacto con alguien o con algo, causando que se cycle la herramienta.

⚠ ADVERTENCIA:

Mantenga las manos y el cuerpo alejados del área de descarga de la herramienta. Una herramienta con brazo de contacto puede rebotar debido a la reculada al impulsar un sujetador y se puede impulsar accidentalmente un segundo sujetador, causando posibles lesiones.

⚠ ADVERTENCIA:

Verifique la operación del mecanismo del brazo de contacto frecuentemente. No utilice la herramienta si el brazo no está funcionando correctamente ya que se puede impulsar accidentalmente otro sujetador. No interfiera con la debida operación del mecanismo del brazo de contacto.

⚠ ADVERTENCIA:

No meta los sujetadores encima de otros sujetadores o teniendo la herramienta demasiado inclinada ya que esto podría causar que los sujetadores se desviarán, y a su vez causarían lesiones.

⚠ ADVERTENCIA:

No meta los sujetadores cerca del borde de la pieza de trabajo porque la madera podría separarse, lo que permitiría que el sujetador se desviara y causara lesiones.

⚠ ADVERTENCIA:

Esta clavadora produce CHIPSPAS durante la operación. NUNCA use la clavadora cerca de sustancias, gases ni vapores inflamables, incluidos diluyentes, lacas, pintura, bencina, gasolina, adhesivos, mástique, pegamentos ni ningún otro material que sea inflamable, combustible o explosivo -- o vapores, emanaciones o subproductos que puedan serlo. Si se usa la clavadora en cualquier ambiente de este tipo podría causar una EXPLOSION produciendo lesiones físicas o fatales para el usuario y las personas en la cercanía.

MANTENIMIENTO DE LA HERRAMIENTA

⚠ ADVERTENCIA:

Tome nota de las advertencias en este manual al trabajar con herramientas neumáticas y tenga mayor cuidado al evaluar herramientas problemáticas.

ESPECIFICACIONES DE LAS N52FN/N62FN

Todos las medidas de tornillos y tuercas son métricas.

| MODELO | LARGO | ALTURA | ANCHO | PESO |
|--------|--------------------|--------------------|-----------------|--------------------|
| N52FN | 13,25" (336,55 mm) | 10,00" (254 mm) | 3,25" (76,2 mm) | 3,7 lb. (1,68 kg.) |
| N62FN | 14,12" (358,65 mm) | 10,88" (276,35 mm) | 3,25" (76,2 mm) | 3,8 lb. (1,72 kg.) |

ESPECIFICACIONES DEL SUJETADOR:

| MODELO | SERIE DE LOS CLAVOS | CALIBRE | TAMAÑO DEL ALAMBRE | GAMA DE LOS SUJETADORES |
|--------|---------------------|---------|--------------------|---------------------------|
| N52FN | FN1600 | 16 | 0,060" (1,52 mm) | 1"-2" (25 mm-50 mm) |
| N62FN | FN1500 | 15 | 0,072" (1,82 mm) | 1" - 2-1/2" (25 mm-63 mm) |

CONEXIÓN DE AIRE DE LA HERRAMIENTA:

Esta herramienta utiliza un accesorio de conexión macho N.P.T. de 1/4". El diámetro interior debe ser 5 mm (0,200") o mayor. El accesorio debe tener la capacidad de descargar la presión de aire de la herramienta cuando está desconectada del suministro de aire.

PRESIÓN DE OPERACIÓN:

De 4,9 kg/cm² a 7,0 kg/cm² (70 a 120 p.s.i.g.). Seleccione la presión de operación dentro de este rango para obtener mejor rendimiento de los sujetadores. NO EXCEDA ESTA PRESIÓN DE AIRE RECOMENDADA.

CONSUMO DE AIRE:

El modelo N52FN requiere 4,0 pies cúbicos por minuto y el modelo N62FN 5,3 pies cúbicos por minuto de aire libre para funcionar a la razón de 60 sujetadores por minuto a 80 p.s.i.g. Use la velocidad de clavar verdadera a la cual se operará la herramienta para determinar la cantidad de aire requerida. Por ejemplo, si usa un promedio de 30 sujetadores por minuto, necesitará el 50% de los 4,0 ó 5,3 pies cúbicos por minuto requeridos para 60 clavos por minuto.

OPERACIÓN

BOSTITCH OFRECE TRES TIPOS DE OPERACIÓN PARA HERRAMIENTAS DE ESTA SERIE

DISPARO POR CONTACTO

El procedimiento de operación común para las herramientas de "Disparo por Contacto" es que el operador hace contacto con el objeto a ser clavado para activar el mecanismo de disparo, manteniendo halado el gatillo. Esto hace que se impulse un sujetador cada vez que se hace contacto con el objeto. Esto permite la rápida colocación de sujetadores en muchos trabajos, tales como entablado, pisos, y el ensamble de paletas. Todas las herramientas neumáticas están sujetas a la reculada al impulsar sujetadores. La herramienta puede rebotar, soltando el disparo, y si se le permite inintencionalmente encontrar en contacto nuevamente con la superficie de trabajo mientras el gatillo está todavía activado (mientras el dedo mantiene el gatillo halado), se impulsará un segundo sujetador indeseado.

DISPARO SECUENCIAL

El Disparo Secuencial requiere que el operador mantenga la herramienta sobre la superficie del objeto antes de halar el gatillo. Esto permite la precisa y fácil colocación de sujetadores en muchos trabajos, por ejemplo, en aplicaciones de construcción de marcos, con clavos oblicuos y la construcción de cajones de construcción. El Disparo Secuencial permite la colocación exacta de sujetadores sin la posibilidad de impulsar un segundo sujetador en la reculada, según se describe bajo "Disparo por Contacto". La Herramienta de Disparo Secuencial tiene una ventaja de seguridad positiva, ya que no impulsará un sujetador accidentalmente si la herramienta entra en contacto con el objeto de trabajo – o cualquier otra cosa – mientras el operador man tenga el gatillo halado.

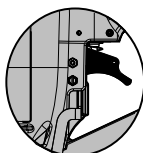
OPERACIÓN POR GATILLO

El modelo de Operación por Gatillo es ciclado sólo por la activación del gatillo. Este modelo no tiene un Brazo de Contacto y está destinado a ser usado sólo cuando un Brazo de Contacto NO puede usarse para satisfacer los requisitos de la aplicación. La herramienta de Operación por Gatillo se ciclará cada vez que el gatillo sea activado.

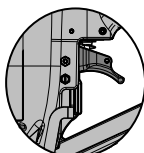
IDENTIFICACIÓN DE MODELO:

Consulte las Instrucciones de Operación en la página 19 antes de usar esta herramienta.

OPERACIÓN POR CONTACTO
Identificada por:
GATILLO NEGRO



DISPARO SECUENCIAL
identificado por:
GATILLO GRIS



OPERACIÓN POR GATILLO
Identificada por:
GATILLO NEGRO



SUMINISTRO DE AIRE Y CONEXIONES



No use oxígeno, gases combustibles o gases embotellados como una fuente de suministro para esta herramienta, ya que la herramienta puede estallar, posiblemente causando lesiones.

CONEXIONES:

Instale un enchufe macho en la herramienta que fluya libre y que descargue la presión de aire de la herramienta cuando sea desconectada de la fuente de suministro.

MANGUERAS:

Las mangueras de aire deben tener un mínimo de clasificación de presión de operación de 10,5 Kg/cm² (10,3 bars) ó 150 por ciento de la presión máxima de operación que podría producirse en el sistema de aire. La manguera de suministro debe contener una conexión que provea un “desconectado rápido” del enchufe macho en la herramienta.

FUENTE DE SUMINISTRO:

Use sólo aire comprimido regulado limpio como una fuente de suministro para esta herramienta. NUNCA USE OXÍGENO, GASES COMBUSTIBLES O GASES EMBOTELLADOS COMO UNA FUENTE DE SUMINISTRO PARA ESTA HERRAMIENTA, YA QUE LA HERRAMIENTA PODRÍA ESTALLAR.

REGULADOR:

Se requiere un regulador de presión con una presión de operación de 0-8,7 Kg/cm² (8,6 bars) para controlar la presión de operación para la segura operación de esta herramienta. No conecte esta herramienta a una presión de aire que potencialmente exceda 14 Kg/cm² (13,8 bars), ya que la herramienta puede fracturarse o estallar, posiblemente causando lesiones.

PRESIÓN DE OPERACIÓN:

No exceda una presión de operación de 7,0 Kg/cm² (6,9 bars) El suministro de aire debe ser capaz de mantener la presión de operación en la herramienta. Las caídas de presión en el suministro de aire pueden reducir la potencia de impulso de la herramienta. Consulte “ESPECIFICACIONES DE LA HERRAMIENTA” para fijar la debida presión de operación para la herramienta.

FILTRO:

La suciedad y el agua en el suministro de aire son causas principales del desgaste en las herramientas neumáticas. Un filtro puede ayudar a obtener el mejor rendimiento y el desgaste mínimo de la herramienta. El filtro debe tener una capacidad de flujo adecuada para la instalación en particular. El filtro debe ser mantenido limpio para que sea eficaz en proveer aire comprimido limpio a la herramienta. Consulte las instrucciones del fabricante para el debido mantenimiento de su filtro. Un filtro sucio y atascado causará una caída de presión que reducirá el rendimiento de la herramienta.

CARGA DE LAS HERRAMIENTAS N52FN/N62FN

ADVERTENCIA:



Cuando el equipo está conectado al suministro de aire, tanto el operador como todas las personas que se encuentren en el área de trabajo, SIEMPRE deben usar PROTECCIÓN OCULAR que cumpla las especificaciones ANSI para resguardo contra partículas volantes arrojadas desde el FRENTE o los LATERALES. Dicha protección ocular se requiere para proteger contra residuos y remaches volantes, que podrían causar graves lesiones en los ojos.

El empleador y/o usuario debe asegurar que la debida protección para los ojos sea usada. El equipo protector de los ojos debe cumplir con los requisitos del Instituto de Normas Nacionales Americano (American National Standards Institute), ANSI Z87.1 y debe proveer protección de frente y de los lados. NOTA: Las gafas de seguridad que no están protegidas de los lados y las máscaras por sí solas no proveen la debida protección.

ADVERTENCIA:

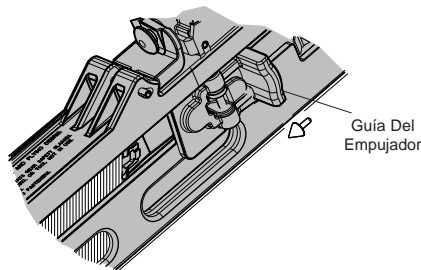
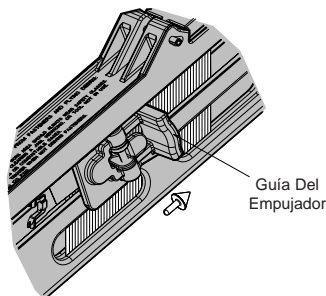
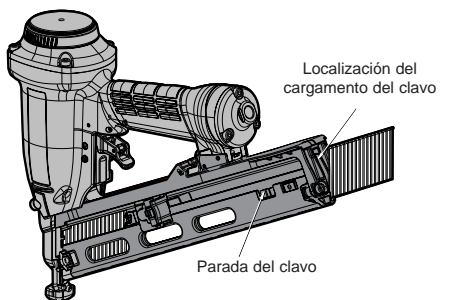
ADVERTENCIA: PARA IMPEDIR LESIONES ACCIDENTALES:

- Nunca coloque una mano o cualquier otra parte del cuerpo en el área de descarga del sujetador de la herramienta mientras el suministro de aire está conectado;
- Nunca apunte la herramienta hacia otra persona;
- Nunca participe en juegos rudos con la herramienta;
- Nunca hale el gatillo a menos que la nariz esté apuntada hacia el trabajo;
- Siempre maneje la herramienta con cuidado.
- No hale el gatillo ni oprima el mecanismo de disparo al cargar la herramienta.

1. CARGA DE LOS CLAVOS:

Inserte la tira de clavos en la parte posterior del depósito. Las cabezas de los clavos deben ir en contra de la parte superior del depósito.

NOTA: La tira de clavos debe pasar el resorte (aproximadamente 12 mm (1/2")) antes de enganchar el empujador.



2. ENGANCHE EL EMPUJADOR:

Hale hacia atrás la guía del empujador para que ésta se enganche con la tira de clavos.

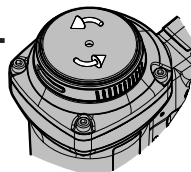
NOTA: No toque la orejeta del empujador al halar la guía del empujador hacia atrás.

3. CAMBIO DEL LARGO DE LOS CLAVOS:

En caso de requerir clavos con un largo distinto al de los clavos de la herramienta, presione levemente la orejeta del empujador para que se desenganche de los clavos y deslice lentamente hacia adelante el empujador hasta la nariz. Cambie los sujetadores.

DEFLECTOR DIRECCIONAL DE LA SALIDA

Afloje el tornillo como se muestra. Ajuste a la dirección deseada de salida y apriete el tornillo.



OPERACIÓN DE LA HERRAMIENTA

ADVERTENCIA:

Cuando el equipo está conectado al suministro de aire, tanto el operador como todas las personas que se encuentren en el área de trabajo, SIEMPRE deben usar PROTECCIÓN OCULAR que cumpla las especificaciones ANSI para resguardo contra partículas volantes arrojadas desde el FRENTE o los LATERALES. Dicha protección ocular se requiere para proteger contra residuos y remaches volantes, que podrían causar graves lesiones en los ojos.



El empleador y/o usuario debe asegurar que la debida protección para los ojos sea usada. El equipo protector de los ojos debe cumplir con los requisitos del Instituto de Normas Nacionales Americano (American National Standards Institute), ANSI Z87.1 y debe proveer protección de frente y de los lados. NOTA: Las gafas de seguridad que no están protegidas de los lados y las máscaras por sí solas no proveen la debida protección.

ANTES DE MANEJAR U OPERAR ESTA HERRAMIENTA:

- I. LEA Y ENTIENDA LAS ADVERTENCIAS CONTENIDAS EN ESTE MANUAL.
- II. CONSULTE “ESPECIFICACIONES DE LA HERRAMIENTA” EN ESTE MANUAL PARA IDENTIFICAR EL SISTEMA OPERATIVO DE SU HERRAMIENTA.

Se dispone de tres sistemas operativos para las herramientas neumáticas de BOSTITCH. Éstos son:

1. OPERACIÓN POR GATILLO
2. OPERACIÓN DE DISPARO POR CONTACTO
3. OPERACIÓN DE DISPARO SECUENCIAL

OPERACIÓN

1. OPERACIÓN POR GATILLO

Una herramienta OPERADA POR GATILLO requiere una sola acción para impulsar al sujetador. Cada vez que se hala el gatillo la herramienta impulsará un sujetador. El modelo operado por gatillo está destinado a ser usado sólo cuando el disparo por contacto o el disparo secuencial no puede usarse debido a los requisitos de la aplicación.

2. OPERACIÓN DE DISPARO POR CONTACTO:

La herramienta de MODELO DE DISPARO POR CONTACTO incluye un disparador por contacto del objeto que está siendo clavado que opera junto con el gatillo para impulsar un sujetador. Existen dos métodos de operación para impulsar los sujetadores con una herramienta de disparo por contacto.

A. COLOCACIÓN DE UN SOLO SUJETADOR: Para operar la herramienta de esta forma, primero coloque el disparo por contacto en la superficie del objeto SIN HALAR EL GATILLO. Oprima el disparo por contacto hasta que la nariz toque la superficie del objeto y luego hale el gatillo para impulsar un sujetador. No presione la herramienta contra la superficie del objeto a clavar usando fuerza extra. En vez de eso, permita que la herramienta recule de la superficie del objeto para evitar un segundo sujetador indeseado. Quite el dedo del gatillo después de cada operación.

B. OPERACIÓN RÁPIDA DE SUJETADOR: Para operar la herramienta de esta forma, hale el gatillo con una herramienta separada del objeto a ser clavado. Para impulsar los sujetadores, golpee ligeramente la nariz de la herramienta sobre la superficie del objeto aplicando un movimiento de rebote. Cada vez que oprima el disparador por contacto, se impulsará un sujetador.

El operador no debe sostener el gatillo halado en las herramientas de disparo por contacto, salvo durante la operación de engrapado, ya que pueden resultar serias lesiones si el disparador accidentalmente se pusiera en contacto con alguien o con algo, causando que se cicle la herramienta.

ADVERTENCIA:

Mantenga las manos y el cuerpo alejados del área de descarga de la herramienta. Una herramienta de disparo por contacto puede rebotar debido a la reculada al impulsar un sujetador y se puede impulsar accidentalmente un segundo sujetador, causando posibles lesiones.

ADVERTENCIA:

3. OPERACIÓN DE DISPARO SECUENCIAL:

El MODELO DE OPERACIÓN SECUENCIAL incluye un disparador por contacto del objeto que funciona junto con el gatillo para impulsar un sujetador. Para operar una herramienta de disparo secuencial, primero coloque el disparo por contacto en la superficie del objeto SIN HALAR EL GATILLO. Oprima el disparo por contacto y luego hale el gatillo para impulsar un sujetador. Mientras el disparo por contacto esté en contacto con el objeto y se mantiene oprimido, la herramienta impulsará un sujetador cada vez que se oprima el gatillo. Si se permite que el disparo por contacto deje la superficie del objeto, la secuencia descrita anteriormente tendrá que ser repetida para impulsar otro sujetador.

El Modelo de Disparo Secuencial provee una ventaja positiva de seguridad ya que no impulsará accidentalmente un sujetador si se permite que la nariz de la herramienta accidentalmente entre en contacto con la superficie del objeto — u otra cosa — mientras el dedo mantiene halado el gatillo.

VERIFICACIÓN DE LA OPERACIÓN DE LA HERRAMIENTA:

¡PRECAUCIÓN: QUITE TODOS LOS SUJETADORES DE LA HERRAMIENTA ANTES DE EFECTUAR LA VERIFICACIÓN DE LA OPERACIÓN DE LA HERRAMIENTA!

1. HERRAMIENTA OPERADA POR GATILLO:

- A. Con el dedo alejado del gatillo, sostenga la herramienta tomándola firmemente por la manija.
- B. Coloque la nariz de la herramienta contra la superficie del trabajo.
- C. Hale del gatillo para impulsar. Suelte el gatillo para completar el ciclo.

¡PRECAUCIÓN: SE ACTIVARÁ LA HERRAMIENTA CADA VEZ QUE SE HALE EL GATILLO!

2. OPERACIÓN DE DISPARO POR CONTACTO:

- A. Apriete el disparador de contacto contra la superficie de trabajo, sin tocar el gatillo.
LA HERRAMIENTA NO DEBE EFECTUAR SU CICLO.
- B. Sostenga la herramienta alejada de la superficie de trabajo, y hale el gatillo.
LA HERRAMIENTA NO DEBE EFECTUAR SU CICLO.
- C. Con la herramienta alejada de la superficie de trabajo, hale el gatillo y apriete el disparador de contacto contra la superficie de trabajo.
LA HERRAMIENTA SÍ DEBE EFECTUAR SU CICLO.
- D. Con el dedo alejado del gatillo, apriete el disparador de contacto contra la superficie de trabajo. Hale el gatillo.
LA HERRAMIENTA SÍ DEBE EFECTUAR SU CICLO.

3. OPERACIÓN POR DISPARO SECUENCIAL:

- A. Presione el disparador de contacto contra la superficie de trabajo, sin tocar el gatillo.
LA HERRAMIENTA NO DEBE EFECTUAR SU CICLO.
- B. Sostenga la herramienta alejada de la superficie de trabajo, y hale el gatillo.
LA HERRAMIENTA NO DEBE EFECTUAR SU CICLO.
- C. Hale el gatillo y presione el disparador de contacto contra la superficie de trabajo.
LA HERRAMIENTA NO DEBE EFECTUAR SU CICLO.
- D. Con el dedo alejado del gatillo, presione el disparador de contacto contra la superficie de trabajo. Hale el gatillo.
LA HERRAMIENTA SÍ DEBE EFECTUAR SU CICLO.

ADEMÁS DE LAS OTRAS ADVERTENCIAS CONTENIDAS EN ESTE MANUAL, OBSERVE LO SIGUIENTE PARA UNA OPERACIÓN SEGURA.

- Utilice la herramienta neumática de BOSTITCH únicamente para impulsar sujetadores.
- Jamás utilice esta herramienta de manera que pudiera causar que un sujetador sea dirigido hacia usted mismo u otras personas dentro del área de trabajo.
- No utilice la herramienta como un martillo.
- Siempre cargue la herramienta por la manija. Jamás cargue la herramienta por la manguera de aire.
- No modifique o altere esta herramienta de su diseño original o función sin la aprobación de BOSTITCH, INC.
- Siempre esté consciente de que el mal trato y manejo inadecuado de esta herramienta puede originar lesiones para usted y los demás.
- Jamás sujete o ate con cinta el gatillo o el disparador de contacto en una posición activada.
- Jamás deje una herramienta sola con la manguera de aire conectada.
- **NOTA:** No siga usando una herramienta que tenga una fuga de aire o que no funciona debidamente. Notifique a su representante de BOSTITCH más cercano si su herramienta sigue teniendo problemas de funcionamiento.

MANTENIMIENTO DE LA HERRAMIENTA NEUMÁTICA

⚠️ ADVERTENCIA:

Al trabajar con herramientas neumáticas, tenga presente las advertencias que se hacen en este manual, y sea particularmente cuidadoso al evaluar herramientas problemáticas.

PRECAUCIÓN: El resorte de empuje (resorte de fuerza constante): Se debe tener cuidado al trabajar con el ensamblaje de resorte. El resorte está enrollado alrededor de, pero no sujetado a, un enrollador. Si el resorte se extiende más allá de su largo, la punta se desprenderá del enrollador, y el resorte se enrollará ruscamente, y puede pellizcar su mano. Además, los bordes del resorte son muy delgados y podrían cortarlo. Se debe tener cuidado para asegurar que no se formen cocas permanentes en el resorte, ya que esto reducirá la fuerza del resorte.

PARTES DE REEMPLAZO:

Se recomienda partes de reemplazo de BOSTITCH. No utilice partes modificadas ni partes que no brinden el mismo rendimiento que el equipo original.

PRESIÓN Y VOLUMEN DEL SUMINISTRO DE AIRE:

El volumen de aire es tan importante como la presión del aire. El volumen de aire suministrado a la herramienta puede ser inadecuado debido a conexiones y mangueras más pequeñas que lo normal, o debido a los efectos de polvo y agua dentro del sistema. Un flujo de aire restringido impedirá que la herramienta reciba un volumen de aire adecuado, aunque la lectura de la presión sea alta. Los resultados serán una operación lenta, la mala alimentación o una potencia impulsadora reducida. Antes de evaluar los problemas de la herramienta en busca de estos síntomas, siga la pista del suministro de aire desde la herramienta hasta la fuente de suministro para ver si hay conexiones restrictivas, accesorios giratorios, puntos bajos que contienen agua y cualquier otra cosa que evitaría un flujo de aire de volumen completo a la herramienta.

DIAGNÓSTICO DE FALLA

PROBLEMA

Fuga de aire en la envoltura de la válvula disparadora.
Vástago de la válvula disparadora tiene fuga de aire.
Fuga de aire en el armazón/nariz.

Fuga de aire en el armazón/tapón.

No desempeña su ciclo.

Falta de potencia
Desempeña su ciclo lentamente

Sujetadores que saltan.
Alimentación intermitente

Los sujetadores se atorán en la herramienta

CAUSA

Anillo en O cortado o rajado
Anillos en O/sellos cortados o rajados.
Tornillos de nariz flojos.
Anillo en O/empaquetadura cortada o rajada
Amortiguador rajado/desgastado.
Empaquetadura rajada.
Amortiguador de la válvula de cabeza rajado/desgastado.
Tornillos de tapa flojos.
Restricción en el suministro de aire.
Anillos en O de la válvula de cabeza desgastados.
Resorte de la tapa del cilindro roto.

Resorte de la tapa del cilindro roto.
Anillos en O/sellos cortados o rajados.
Escape bloqueado
Ensamblaje del gatillo desgastado/tiene fugas.
Acumulación de polvo/alquitrán en impulsor.
La manga del cilindro no está asentada debidamente en el amortiguador de abajo.
Válvula de cabeza seca.

Presión de aire demasiado baja.
Amortiguador desgastado.
Alquitrán/polvo en el canal del impulsor.
Restricción de flujo de aire inadecuado a través del casquillo y tapón de desconectado rápido.
Anillo en O de pistón desgastado.
Resorte de empuje dañado.
Baja presión de aire.

Tornillos flojos en la nariz del cargador.
Los sujetadores son demasiado cortos para la herramienta.
Sujetadores doblados.
Sujetadores de tamaño equivocado.
Empaquetadura de la tapa de cabeza con fugas.
Anillo en O de la válvula del disparador cortado/ desgastado.
Impulsor roto/quebrado.

Cargador desgastado.
Canal del impulsador desgastado.
Sujetadores de tamaño equivocado.
Sujetadores doblados.
Tornillos flojos en el cargador/la nariz.
Impulsor roto/quebrado.

CORRECCIÓN

Reemplazar el anillo en O.
Reemplazar anillo en O/sellos.
Apriete y verifique nuevamente.
Reemplazar el anillo en O o empaquetadura
Reemplazar el amortiguador.
Reemplazar la empaquetadura.
Reemplazar el amortiguador.
Apriete y verifique nuevamente.
Verifique el equipo de suministro de aire.
Reemplazar los anillos en O.
Reemplazar el resorte de la tapa del cilindro

Reemplazar el resorte de la tapa.
Reemplazar los anillos en O/sellos.
Verificar el amortiguador, resorte de la válvula de cabeza.
Reemplazar el ensamblaje del gatillo.
Desensamblar la nariz/impulsor para limpiar
Desensamblar para corregir.

Desensamblar/lubricar.
Verifique el equipo de suministro de aire
Reemplazar el amortiguador.
Desensamblar y limpiar la nariz y el impulsor
Reemplazar los accesorios de desconectado rápido.
Reemplazar el anillo en O, verificar el impulsor
Reemplazar el resorte.
Verifique el sistema de suministro de aire a la herramienta.
Apriete todos los tornillos.
Use sólo los sujetadores recomendados.

No use estos sujetadores más.
Use sólo los sujetadores recomendados.
Apriete los tornillos/Reemplazar la empaquetadura.
Reemplazar el anillo en O.

Reemplazar el impulsor.
(Verificar el anillo en O del pistón).
Reemplazar el cargador.
Reemplazar la nariz/Verificar la puerta.
Use sólo los sujetadores recomendados
No use estos sujetadores más.
Apriete todos los tornillos.
Reemplazar el impulsor.

⚠ ADVERTENCIA:

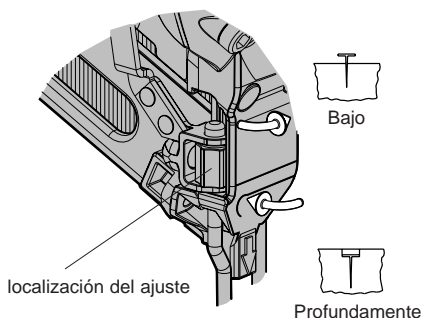
Siempre desconecte el suministro de aire: 1. antes de efectuar ajustes; 2. al dar servicio a la herramienta; 3. al eliminar un atascamiento; 4. cuando la herramienta no se usa; 5. al trasladarse a otra área de trabajo, para que no se active accidentalmente, posiblemente causando una lesión.

AJUSTE DEL CONTROL DE FONDO DEL SUJETADOR “DIAL-A-DEPTH”™

El Ajuste del Control de Fondo del Sujetador DIAL-A-DEPTH permite controlar minuciosamente el fondo de impulsión del sujetador, desde a ras con o justamente encima de la superficie de trabajo, a avellanado con poca o mucha profundidad. Primero, ajuste la presión de aire para lograr una impulsión consistente en el trabajo específico como se describe en la página 17; luego use el Ajuste del Control de Fondo del Sujetador para obtener la profundidad deseada de impulsión.

PARA AJUSTAR EL CONTROL DE FONDO DEL SUJETADOR DIAL-A-DEPTH:

1. Con la presión de aire fijada, (vea la sección Ajuste de la Presión Correcta de Aire en la página 17), impulse unos cuantos sujetadores en una muestra de material representativa para determinar si el ajuste es necesario.
2. Si se requiere el ajuste, desconecte el suministro de aire.
3. Abra la cubierta del disparo y gire la tuerca de ajuste como se muestra para ajustar la profundidad de embutido del sujetador.
4. Cierre la cubierta. Antes de volver a conectar el suministro de aire, verifique que las piezas del mecanismo de disparo operen libremente sin atascarse o trabarse.

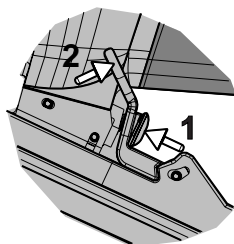


REMUEVA EL SUJETADOR ATASCADO

Modelo N52FN y N62FN cuentan con un cargador atascado.

⚠ ADVERTENCIA:

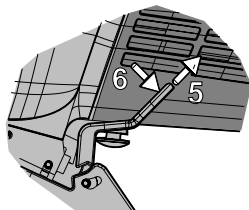
DESCONECTAR SIEMPRE EL SUMINISTRO DE AIRE ANTES DE DESPEJAR UN SUJETADOR ATASCADO



Despejar Atascado

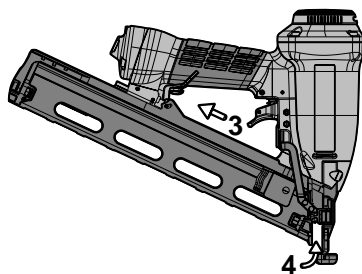
Desconecte el suministro de aire. Suelte el alimentador y deslicelo hacia adelante.

1. Sacar la corredera.
2. Suelte el pestillo de alivio fácil.



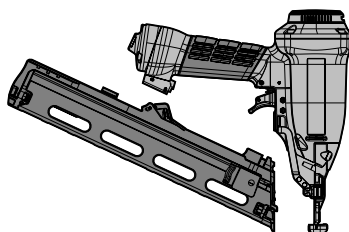
Cargador de Desenganche Maxima

5. Empuje el cerrojo.
6. Tirar del pestillo.



Cargador de desenganche mínima

3. Deslice el carril abriéndolo.
4. Remueva el sujetador atascado.



Cargador Extraccion

7. Desenganche el pestillo y hale hacia atrás la cargador.
- Reemplace e invierta las instrucciones para volver a montar.

INTRODUCTION

Le N52FN/N62FN de Bostitch est un outil construit avec précision; conçu pour réaliser un travail rapide à débit maximum. Les cloueurs sont faits pour assurer un service efficace et durable, à condition d'être utilisés avec un minimum d'attention et dans des conditions normales d'utilisation. Comme pour tout autre appareil pneumatique, les consignes du fabricant doivent être impérativement suivies, afin d'obtenir de bonnes performances de ce matériel. Lire attentivement le présent manuel avant d'utiliser le cloueur en prêtant une attention toute particulière aux consignes de sécurité. Lire les instructions concernant l'installation, le fonctionnement et l'entretien de l'appareil. REMARQUE : des mesures supplémentaires de sécurité peuvent être requises selon l'usage destiné. Pour toute question concernant l'outil ou son usage, veuillez contacter votre représentant ou votre concessionnaire. Bostitch, Inc., East Greenwich, Rhode Island 02818.

SOMMAIRE

| | |
|--|--------|
| Consignes de sécurité | 25 |
| Caractéristiques de l'appareil; Consommation d'air et pression d'utilisation | 26 |
| Alimentation en air comprimé : Raccordement, Tuyaux, Filtres, Régulateurs | 27 |
| Chargement de l'appareil | 28 |
| Fonctionnement de l'appareil | 29, 30 |
| Entretien de l'appareil pneumatique | 31 |
| Problèmes de fonctionnement | 32 |
| Réglage de la Profondeur de l'élément d'assemblage avec "Dial-A-Depth" | 33 |

REMARQUE :

Les outils Bostitch sont fabriqués dans le but d'assurer une totale satisfaction et sont conçus pour atteindre un rendement maximal lorsqu'ils sont utilisés avec des éléments d'assemblage répondant aux mêmes standards de qualité. **Bostitch ne peut assumer la responsabilité du fonctionnement d'un produit, lorsqu'il est utilisé avec des accessoires et éléments d'assemblage qui ne satisfont pas aux exigences spécifiques en vigueur pour les accessoires, agrafes et clous garantis d'origine BOSTITCH.**



GARANTIE LIMITÉE – É.-U. et Canada seulement

À partir du 1er décembre 2005, Bostitch, L.P. garantit à l'acheteur d'origine au détail que ce produit est exempt de tout défaut de matériaux et de fabrication et accepte, le cas échéant, de réparer ou de remplacer, à la discrétion de Bostitch, toute agrafeuse ou cloueuse de marque Bostitch défectueuse pour une période de sept (7) ans à partir de la date d'achat (1 (un) an à partir de la date d'achat pour les compresseurs et les outils utilisés dans des applications de production). Cette garantie n'est pas cessible. Une preuve de la date d'achat est requise. Cette garantie couvre uniquement les dommages résultant de défaut de matériaux et de fabrication, et ne couvre pas les conditions ou défauts de fonctionnement résultant d'une usure normale, d'une négligence, d'un usage abusif, d'un accident, d'une réparation ou d'une tentative de réparation par une entité autre que notre Centre de réparation national ou l'un de nos Centres de service de garantie autorisé. Les lames du mandrin, les amortisseurs, les joints toriques, les pistons et les garnitures de piston sont considérés comme des pièces normales d'usure. Pour une performance optimale de votre outil Bostitch, utilisez toujours des attaches et des pièces de rechange Bostitch d'origine.

CETTE GARANTIE REMPLACE TOUTE AUTRE GARANTIE, IMPLICITE OU EXPLICITE, COMPRENANT, MAIS SANS S'Y LIMITER, LES GARANTIES IMPLICITES DE COMMERCIALISATION OU D'ADAPTATION À UN USAGE PARTICULIER. BOSTITCH NE SERA PAS TENUE RESPONSABLE DES DOMMAGES INDIRECTS OU ACCESSOIRES.

Les limitations imposées par la durée d'une garantie implicite ou l'exclusion des dommages accessoires ou indirects n'étant pas reconnues dans certains États et pays, les limitations ou exclusions précitées peuvent ne pas vous être adressées. Cette garantie vous confère des droits juridiques spécifiques qui s'ajoutent aux autres droits éventuels qui peuvent varier d'une province, d'un État ou d'un pays à l'autre.

Pour obtenir aux États-Unis des services liés à la garantie, retournez le produit à vos frais accompagné de la preuve d'achat à votre Centre de service national américain ou à un Centre de service régional indépendant de garantie autorisé. Aux États-Unis, appelez-nous au 1-800-556-6696 ou visitez le www.BOSTITCH.com pour connaître l'emplacement du Centre le plus près de chez vous. Au Canada, appelez-nous au 800-567-7705 ou visitez le www.BOSTITCH.com.

CONSIGNES DE SÉCURITÉ

⚠ ATTENTION:

UNE PROTECTION DES YEUX, conforme aux normes ANSI et fournissant une protection contre les projectiles en provenance de l'AVANT et des CÔTÉS, doit toujours être portée par l'opérateur et les personnes présentes dans la zone de travail, lors du raccordement au réseau d'air, du chargement, du fonctionnement et de la maintenance de l'outil. Une telle protection est indispensable pour vous protéger contre les projections d'attaches et de particules qui peuvent entraîner des blessures graves.



L'employeur et/ou l'utilisateur doivent s'assurer du port d'une protection oculaire adéquate. L'équipement de protection oculaire doit être conforme aux normes ANSI Z87.1 (de l'Institut National Américain des Normes), et offrir une protection à la fois frontale et latérale. REMARQUE : les lunettes de protection sans écrans latéraux et les masques de protection portés seuls, n'offrent pas une protection suffisante.



ATTENTION : Des mesures de sécurité supplémentaires seront nécessaires dans certains environnements. Par exemple, la zone de travail peut comporter une exposition à des niveaux de bruit pouvant conduire à un dommage auditif. L'employeur et l'utilisateur doivent alors s'assurer qu'une protection auditive adéquate est offerte et utilisée par l'opérateur et toute autre personne se trouvant dans la zone de travail. Certains environnements de travail nécessitent le port d'un casque de sécurité. Dans ce cas, l'employeur et l'utilisateur doivent s'assurer qu'un casque de sécurité conforme à la norme ANSI Z89.1 est toujours porté.

ALIMENTATION EN AIR COMPRIMÉ ET RACCORDEMENT

⚠ ATTENTION:

L'oxygène ou les gaz combustibles ne doivent en aucun cas être employés comme source d'énergie, sachant que l'outil peut exploser et provoquer des blessures.

⚠ ATTENTION:

N'utiliser en aucun cas des sources d'énergie à une pression dépassant 14 kg/cm² (13,8 bars), car l'outil peut éclater et causer des blessures.

⚠ ATTENTION:

L'appareil ne doit pas rester sous pression lorsqu'il est déconnecté de la source d'air. Si un mauvais raccord est utilisé, l'outil peut demeurer sous pression même après le désaccouplement, et de ce fait, peut éjecter un élément d'assemblage et causer des blessures.

⚠ ATTENTION:

Ne pas appuyer sur la détente ou abaisser le mécanisme de contact tant que l'outil est connecté à la source d'air, car celui-ci peut se déclencher et donc provoquer des blessures.

⚠ ATTENTION:

Toujours désaccoupler l'appareil de sa source d'énergie : 1) avant tout réglage; 2) lors de l'entretien; 3) lors d'un désenrayage; 4) à la fin de l'utilisation; 5) lors du déplacement vers une nouvelle zone de travail, car un déclenchement accidentel peut se produire et causer des blessures.

CHARGEMENT DE L'APPAREIL

⚠ ATTENTION:

Lors du chargement de l'appareil : 1) Ne jamais placer la main ou toute autre partie du corps dans la direction de projection de l'élément d'assemblage de l'outil; 2) Ne jamais pointer l'outil vers quelqu'un; 3) Ne pas presser sur la détente ou appuyer sur le palpeur de surface, car un déclenchement accidentel peut se produire et causer des blessures.

FONCTIONNEMENT

⚠ ATTENTION:

Manipuler l'appareil avec précaution : 1) Ne pas jouer ou chahuter avec l'appareil; 2) Ne jamais appuyer sur la détente tant que le nez de l'appareil n'est pas dirigé vers la pièce à assembler; 3) Tenir les autres personnes à distance raisonnable de l'outil lors de l'utilisation de celui-ci, car un déclenchement accidentel peut se produire et causer des blessures.

⚠ ATTENTION:

Ne pas maintenir la détente pressée sur un outil possédant un mécanisme de contact, sauf pendant le travail d'assemblage, car un accident grave pourrait se produire si le palpeur de surface entre en contact avec un objet ou une personne et entraînerait le déclenchement de l'outil.

⚠ ATTENTION:

Lorsque l'appareil est connecté à la source d'énergie, éloigner les mains et le corps de l'orifice d'éjection. Un outil à mécanisme de contact peut «rebondir» après l'éjection d'un élément d'assemblage, et un second élément d'assemblage peut accidentellement être éjecté.

⚠ ATTENTION:

Vérifier régulièrement le mécanisme de contact. Ne pas utiliser un appareil dont le mécanisme de contact est inopérant, un accident peut en résulter. Ne pas changer le mode opératoire du mécanisme de contact.

⚠ ATTENTION:

Ne pas enfoncer des attaches lorsque l'outil est trop penché ou par-dessus d'autres attaches car cela pourrait faire dévier ces dernières et entraîner des blessures.

⚠ ATTENTION:

Ne pas enfoncer des attaches près du bord de la pièce car le bois pourrait se fendre et faire dévier les attaches, entraînant ainsi des blessures.

⚠ ATTENTION:

Pendant son fonctionnement, cette cloueuse génère des ÉTINCELLES. NE JAMAIS utiliser la cloueuse près de substances, gaz ou vapeurs inflammables, y compris : laque, peinture, benzène, solvant, essence, adhésifs, mastics, colles ou tous autres produits qui sont, eux ou leurs vapeurs, brumes ou produits dérivés, inflammables, combustibles ou explosifs. L'utilisation de la cloueuse dans un tel environnement pourrait mener à une EXPLOSION pouvant causer des blessures ou le décès de l'utilisateur ou de personnes à proximité.

ENTRETIEN DE L'APPAREIL

⚠ ATTENTION:

Lors de l'utilisation d'un outil fonctionnant sous-pression, lire les avertissements du manuel et user d'extrêmes précautions lors de la découverte d'un problème.

CARACTÉRISTIQUES DES N52FN ET N62FN

Toutes les mesures des vis et des boulons sont dans le système métrique.

| MODÈLE | LONGUEUR | HAUTEUR | LARGEUR | POIDS |
|--------|----------------------|----------------------|-------------------|---------------------|
| N52FN | 13,25 po (336,55 mm) | 10,00 po (254 mm) | 3,00 po (76,2 mm) | 4,12 lb. (1,87 kg.) |
| N62FN | 14,12 po (358,65 mm) | 10,88 po (276,35 mm) | 3,00 po (76,2 mm) | 4,37 lb. (1,98 kg.) |

CARACTÉRISTIQUES DES ÉLÉMENTS D'ASSEMBLAGE :

| MODÈLE | SÉRIE DE CLOUS | CALIBRE | TAILLE DU FIL | PORTÉE DE L'ÉLÉMENT |
|--------|----------------|---------|--------------------|----------------------------|
| N52FN | FN1600 | 16 | 0,060 po (1,52 mm) | 1 - 2 po (25 mm-50 mm) |
| N62FN | FN1500 | 15 | 0,072 po (1,82 mm) | 1 - 2-1/2 po (25 mm-63 mm) |

RACCORDEMENTS À L'AIR :

Cet outil utilise un raccord de 1/4 N.P.T. mâle. Son diamètre intérieur doit être de 5 mm (0,200 po) ou plus. Lors du désaccouplement de la source d'air, le raccord doit permettre rapidement la mise à l'atmosphère de toute pression résiduelle.

PRESSIION D'UTILISATION :

4,9 à 7,0 kg/cm² (4,8 bars à 6,9 bars). Régler la pression d'air en suivant ces recommandations pour obtenir le meilleur rendement possible. NE PAS DÉPASSER LA PRESSIION NORMALE RECOMMANDÉE.

CONSUMMATION D'AIR :

Le N52FN consomme 45,3 litres d'air détendu par minute (4,0 pied cube/mn), et le N62FN consomme 48,1 litres d'air détendu par minute (5,3 pied cube/mn) lorsqu'ils fonctionnent à la cadence de 60 éléments d'assemblage par minute. On déterminera la quantité d'air en fonction de la cadence utilisée, par exemple si la cadence moyenne est de 30 éléments par minute, l'appareil aura besoin de 50% des 45,3 litres/mn (1,6 pied cube/mn) ou des 48,10 litres/mn (1,7 pied cube/mn), qui représentent la quantité d'air pour une cadence de 60 d'éléments/minute.

OPÉRATION

BOSTITCH OFFRE TROIS SYSTÈMES DE DÉCLENCHEMENT POUR CETTE SÉRIE

DÉCLENCHEMENT À LA VOLÉE (C.T.)

Le mode opératoire ordinaire pour le système « à la volée » consiste pour l'opérateur à placer le nez de l'appareil sur la surface de travail pour activer l'élément palpeur tout en appuyant sur la détente, enfonçant ainsi un élément d'assemblage chaque fois que la surface de travail entre en contact avec le palpeur. Cette méthode permet un travail de fixation rapide, par exemple dans le cas de fabrication de plate-formes ou de palettes. Tous les appareils pneumatiques sont sujets à un recul lors de l'éjection de l'élément d'assemblage. L'outil peut donc rebondir, et entrer accidentellement en contact avec la surface de travail, ce qui peut entraîner la sortie d'un deuxième élément d'assemblage non désiré.

DÉCLENCHEMENT AU COUP-PAR-COUP (S.T.)

L'appareil au coup-par-coup requiert que l'opérateur maintienne l'outil en contact avec la surface de travail avant d'appuyer sur la détente. Ceci rend le placement correct de l'élément d'assemblage plus facile, par exemple dans le cas de petit outillage ou la fabrication de caisses. L'appareil au coup-par-coup permet un placement précis de l'élément d'assemblage sans le risque d'éjecter un deuxième élément par accident lors du recul, comme cela est le cas pour le dispositif à la volée.

Le dispositif au coup-par-coup possède une sécurité supplémentaire puisque même si l'outil est en contact avec la surface de travail, ou tout autre chose, l'opérateur ne court pas le risque d'éjecter un deuxième élément même si la détente est pressée.

DÉCLENCHEMENT PAR DÉTENTE :

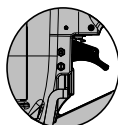
Un modèle à déclenchement par détente est actionné uniquement lors de la pression de la détente. Ce modèle ne possède pas d'élément palpeur et ne doit être utilisé que lorsqu'un appareil à palpeur NE PEUT PAS être utilisé à cause des exigences particulières du travail. Le cloueur se déclenchera chaque fois que la détente est pressée.

IDENTIFICATION DU MODÈLE :

Se référer au mode de fonctionnement à la page 29 avant d'utiliser l'outil.

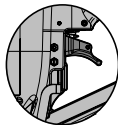
SYSTÈME À LA VOLÉE

Identifié par :
UNE DÉTENTE
NOIRE



SYSTÈME AU COUP-PAR-COUP

Identifié par :
UNE DÉTENTE
ARGENTÉE



SYSTÈME PAR DÉTENTE :

Identifié par :
UNE DÉTENTE
NOIRE



ALIMENTATION EN AIR COMPRIMÉ ET RACCORDEMENT

ATTENTION:

L'oxygène, les gaz combustibles ou les bouteilles de gaz ne doivent en aucun cas être employés comme source d'énergie, car ils peuvent exploser et provoquer des blessures.

RACCORDEMENTS :

Installer le raccord mâle sur l'appareil. Lors du désaccouplement de la source d'énergie, le raccord mâle doit permettre rapidement la mise à l'atmosphère de toute pression résiduelle.

TUYAUX :

Les tuyaux d'air comprimé doivent résister à une pression d'utilisation minimale constante de 10,5 Kg/cm² (10,3 bars), ou 150% de la pression pouvant être produite pour l'installation. Le tuyau d'alimentation doit contenir un raccord permettant « un désaccouplement rapide » du raccord mâle de l'appareil.

ALIMENTATION EN AIR COMPRIMÉ :

Les appareils doivent être alimentés avec de l'air propre et sec. L'OXYGÈNE, LES GAZ COMBUSTIBLES OU LES BOUTEILLES DE GAZ NE DOIVENT EN AUCUN CAS ÊTRE EMPLOYÉS COMME SOURCE D'ÉNERGIE CAR ILS PEUVENT EXPLOSER.

RÉGULATEUR :

Un régulateur de pression fonctionnant à des pressions de 0 à 8,7 Kg/cm² (8,6 bars) est nécessaire pour contrôler la pression d'utilisation du cloueur. Ne pas accoupler cet appareil à un régulateur de pression pouvant excéder 14 Kg/cm² (13,8 bars) car l'outil pourrait se fracturer ou se rompre, et causer des blessures.

PRESSION D'UTILISATION :

Ne pas excéder une pression d'utilisation de 7,0 Kg/cm² (6,9 bars). La source d'alimentation en air doit être capable de maintenir la pression de fonctionnement au niveau. Une baisse de pression dans la source d'alimentation entraînera une baisse de la force d'éjection de l'outil. Voir la rubrique « caractéristiques de l'appareil » pour le réglage de la pression de fonctionnement adéquate.

FILTRE :

La principale cause d'usure des appareils pneumatiques est un air sale et humide. Un filtre est donc indispensable pour obtenir le meilleur rendement et une usure minimale du pistolet. Le filtre devra avoir une capacité de filtrage adéquate au volume d'air consommé par l'appareil. Le filtre doit être propre pour alimenter le pistolet en air comprimé propre. Consulter les instructions du fabricant concernant l'entretien du filtre. Un filtre sale ou bouché peut provoquer des baisses de pression et par voie de conséquence, une diminution du rendement de l'appareil.

CHARGEMENT DU N52FN OU DU N62FN

ATTENTION:



UNE PROTECTION DES YEUX, conforme aux normes ANSI et fournissant une protection contre les projectiles en provenance de l'AVANT et des CÔTÉS, doit toujours être portée par l'opérateur et les personnes présentes dans la zone de travail, lors du raccordement au réseau d'air, du chargement, du fonctionnement et de la maintenance de l'outil. Une telle protection est indispensable pour vous protéger contre les projections d'attaches et de particules qui peuvent entraîner des blessures graves.

L'employeur et/ou l'utilisateur doivent s'assurer du port d'une protection oculaire adéquate. L'équipement de protection oculaire doit être conforme aux normes ANSI Z87.1 (de l'Institut National Américain des Normes), et offrir une protection à la fois frontale et latérale. REMARQUE : les lunettes de protection sans écrans latéraux et les masques de protection portés seuls, n'offrent pas une protection suffisante.

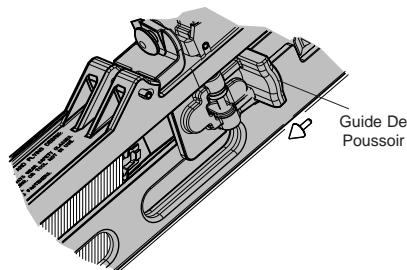
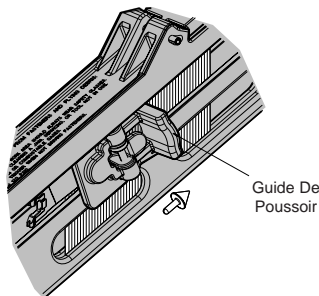
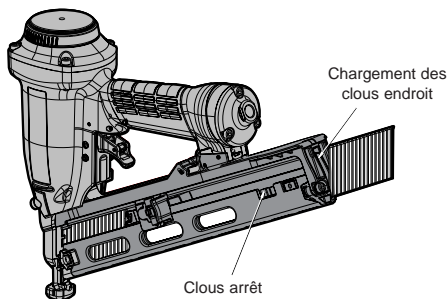
POUR PRÉVENIR UN ACCIDENT

ATTENTION:

- Ne jamais placer la main ou toute autre partie du corps dans la zone d'éjection des clous lorsque l'outil est relié à la source d'air.
- Ne jamais pointer le cloueur vers quelqu'un.
- Ne jamais jouer avec l'outil.
- Ne jamais appuyer sur la détente si le nez n'est pas dirigé vers le plan de travail.
- Toujours manier l'outil avec précautions.
- Ne pas appuyer sur la détente ou presser sur l'élément palpeur lors du chargement de l'outil.

1. CHARGEMENT DES CLOUS ENDROIT :

Insérez une bande de clous à l'arrière du magasin. Les têtes des clous doivent se trouver contre le haut du magasin.
REMARQUE : La bande de clous doit dépasser la lame du ressort de 12 mm environ (1,5 po) avant d'engager le poussoir..



2. ENGAGEMENT DU POUSSOIR :

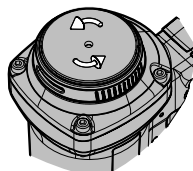
Tirer le guide du poussoir vers l'arrière pour engager le poussoir sur la bande de clous.
REMARQUE : Ne pas toucher la patte du poussoir lors du tirage du guide du poussoir vers l'arrière.

3. CHANGEMENT DE LONGUEUR DE CLOUS:

Si vous avez besoin de placer dans l'outil des clous de taille différente, presser légèrement sur la patte du poussoir pour qu'il se désengage des clous et faites lentement glisser le poussoir vers le nez à l'avant. Remplacer les éléments d'assemblage.

DÉFLECTEUR D'ÉCHAPPEMENT DIRECTIONNEL

Desserrer la vis comme indiqué. Régler en fonction de la direction d'échappement souhaitée et resserrer la vis.



FONCTIONNEMENT DE L'APPAREIL

ATTENTION:

UNE PROTECTION DES YEUX, conforme aux normes ANSI et fournissant une protection contre les projectiles en provenance de l'AVANT et des CÔTÉS, doit toujours être portée par l'opérateur et les personnes présentes dans la zone de travail, lors du raccordement au réseau d'air, du chargement, du fonctionnement et de la maintenance de l'outil. Une telle protection est indispensable pour vous protéger contre les projections d'attaches et de particules qui peuvent entraîner des blessures graves.



L'employeur et/ou l'utilisateur doivent s'assurer du port d'une protection oculaire adéquate. L'équipement de protection oculaire doit être conforme aux normes ANSI Z87.1 (de l'Institut National Américain des Normes), et offrir une protection à la fois frontale et latérale. REMARQUE : les lunettes de protection sans écrans latéraux et les masques de protection portés seuls, n'offrent pas une protection suffisante.

AVANT DE MANIPULER OU D'UTILISER CET OUTIL :

I. LIRE ET COMPRENDRE LES AVERTISSEMENTS CONTENUS DANS CE MANUEL.

II. SE RÉFÉRER À LA RUBRIQUE « CARACTÉRISTIQUES DE L'APPAREIL » DU MANUEL AFIN D'IDENTIFIER LE MODE D'UTILISATION DE VOTRE OUTIL.

Il existe trois modes d'utilisation pour les outils pneumatiques BOSTITCH :

1. DÉCLENCHEMENT PAR DÉTENTE
2. À LA VOLÉE
3. AU COUP-PAR-COUP

MODE D'EMPLOI

1. DÉCLENCHEMENT PAR DÉTENTE

Un outil à DÉCLENCHEMENT PAR DÉTENTE requiert une action unique pour déclencher l'éjection d'un élément d'assemblage. Chaque fois que la détente est pressée, l'outil éjecte un élément d'assemblage. Un outil à déclenchement par détente ne doit être utilisé que lorsqu'un outil à déclenchement à la volée ou au coup-par-coup ne peut être utilisé à cause des exigences du travail.

2. DÉCLENCHEMENT À LA VOLÉE :

Le modèle avec DÉCLENCHEMENT À LA VOLÉE contient un palpeur de surface fonctionnant en corrélation avec la détente pour éjecter un élément d'assemblage. Il existe deux méthodes d'utilisation avec ce type d'outil.

- A. PLACEMENT D'UN SEUL ÉLÉMENT D'ASSEMBLAGE : pour utiliser l'outil de cette manière, commencez par placer le palpeur sur la surface de travail, SANS APPUYER SUR LA DÉTENTE. Appuyer sur le palpeur jusqu'à ce que le nez touche la surface de travail, puis appuyer sur la détente pour éjecter un élément d'assemblage. Ne pas presser trop fort l'outil sur la surface. Laisser l'outil reculer de la surface de travail pour éviter l'éjection d'un second élément indésiré. Retirer votre doigt de la détente après chaque opération.
- B. ASSEMBLAGE RAPIDE : pour utiliser l'outil de cette manière, maintenir le palpeur de l'outil dirigé vers la surface de travail, mais sans la toucher. Appuyer sur la détente, puis appuyer le palpeur sur la surface de travail en utilisant un mouvement de rebond.

ATTENTION:

L'opérateur ne doit pas maintenir la détente pressée sur les outils marchant à la volée sauf lors de l'opération de clouage, car de sérieuses blessures pourraient résulter d'un contact accidentel du palpeur avec une personne ou un objet, entraînant un déclenchement de l'outil.

ATTENTION:

Lorsque l'appareil est connecté à source d'énergie, éloigner les mains et le corps de l'orifice d'éjection. Un outil à mécanisme de contact peut « rebondir » après l'éjection d'un élément d'assemblage, et un second élément d'assemblage peut accidentellement être éjecté.

3. DÉCLENCHEMENT AU COUP-PAR-COUP :

Le modèle à DÉCLENCHEMENT AU COUP-PAR-COUP contient un palpeur qui fonctionne en corrélation avec la détente pour éjecter un élément d'assemblage. Pour utiliser un outil à déclenchement au coup-par-coup, vous devez d'abord mettre le palpeur en contact avec la surface de travail SANS APPUYER SUR LA DÉTENTE. Presser le palpeur puis appuyer sur la détente pour éjecter un élément d'assemblage. Aussi longtemps que le palpeur est maintenu pressé contre la surface de travail, l'outil expulsera un élément d'assemblage chaque fois que l'on appuie sur la détente. Si le palpeur n'est plus en contact avec la surface de travail, les étapes ci-dessus doivent être répétées pour pouvoir éjecter un nouvel élément.

Le modèle à déclenchement au coup-par-coup procure un élément de sécurité supplémentaire puisqu'on ne peut éjecter accidentellement un élément d'assemblage même si le nez du pistolet se trouve à nouveau en contact avec la surface de travail ou tout autre chose, lorsque le doigt est sur la détente.

VÉRIFICATION DU SYSTÈME DE DÉCLENCHEMENT :

ATTENTION : retirer toutes les attaches de fixation de l'outil avant de procéder à une vérification du fonctionnement de celui-ci.

1. DÉCLENCHEMENT PAR LA DÉTENTE:

- A. Détente libre, maintenir fermement l'appareil par la poignée.
- B. Placer le nez de l'appareil sur la surface de travail.
- C. Appuyer sur la détente pour enfoncer un élément d'assemblage. Relâcher l'organe de service (détente) après chaque opération.

ATTENTION : L'APPAREIL SE DÉCLENCHERA CHAQUE FOIS QUE LA DÉTENTE SERA PRESSÉE !

2. SYSTÈME DE SÉCURITÉ À LA VOLÉE (C.T.):

- A. Enfoncer l'élément palpeur sur la surface de travail sans actionner la détente.
L'APPAREIL NE DOIT PAS SE DÉCLENCHER
- B. Éloigner l'appareil de la surface de travail et appuyer sur la détente.
L'APPAREIL NE DOIT PAS SE DÉCLENCHER
- C. Éloigner l'appareil de la surface de travail et appuyer sur la détente. Presser l'élément palpeur sur la surface de travail.
L'APPAREIL DOIT SE DÉCLENCHER
- D. Sans actionner la détente, appuyer l'élément palpeur sur la surface de travail, puis appuyer sur la détente.
L'APPAREIL DOIT SE DÉCLENCHER

3. SYSTÈME DE SÉCURITÉ AU COUP-PAR-COUP:

- A. Appuyer l'élément palpeur sur la surface de travail sans actionner la détente.
L'APPAREIL NE DOIT PAS SE DÉCLENCHER
- B. Éloigner l'appareil de la surface de travail et actionner la détente.
L'APPAREIL NE DOIT PAS SE DÉCLENCHER
Relâcher la détente; elle doit revenir à sa position initiale.
- C. Appuyer sur la détente, et appuyer l'élément palpeur sur la surface de travail.
L'APPAREIL NE DOIT PAS SE DÉCLENCHER
- D. Détente libre, appuyer l'élément palpeur sur la surface de travail. Actionner la détente.
L'APPAREIL DOIT SE DÉCLENCHER

EN SUPPLÉMENT DES AUTRES AVERTISSEMENTS CONTENUS DANS CE MANUEL, OBSERVEZ LES RÈGLES SUIVANTES POUR OPÉRER EN TOUTE SÉCURITÉ

- Utiliser cet outil pneumatique BOSTITCH uniquement pour éjecter des éléments d'assemblage.
- Ne jamais utiliser l'outil de telle manière qu'un élément d'assemblage peut être dirigé vers vous-même ou vers d'autres personnes présentes dans la zone de travail.
- Ne pas utiliser l'outil comme un marteau
- Porter toujours l'outil par la poignée, jamais par le nez.
- Ne pas altérer ou modifier cet outil par rapport à sa forme originale sans l'agrément de BOSTITCH, INC.
- Toujours avoir présent à l'esprit qu'une manipulation ou une utilisation inadéquate de cet outil peuvent causer des blessures.
- Ne jamais attacher ou maintenir la détente en position déchenchée.
- Ne jamais laisser le cloueur connecté au tuyau d'air sans surveillance.
- Ne pas utiliser cet outil s'il n'est pas pourvu d'une ÉTIQUETTE D'AVERTISSEMENT (WARNING LABEL) lisible.
- Cesser d'utiliser un outil qui perd de l'air ou ne fonctionne pas correctement. Notifier votre concessionnaire BOSTITCH si votre outil continue à mal fonctionner.

ENTRETIEN DE L'APPAREIL

ATTENTION:

Lors de l'utilisation d'un outil fonctionnant sous-pression, lire les avertissements du manuel et user d'extrêmes précautions lors de la découverte d'un problème.

ATTENTION: Ressort-poussoir (ressort à poussée constante). Il est recommandé d'user de prudence lors de la manipulation du système du ressort. Le ressort est enroulé autour du rouleau mais n'y est pas attaché. Si le ressort est tiré au delà de sa longueur d'extension, l'extrémité se détachera du rouleau et reviendra à sa longueur première, risquant ainsi de vous pincer les doigts. Les bords du ressort sont très fins et risquent de couper. Il faut aussi vérifier qu'il n'existe pas de torsion du ressort, celles-ci pouvant diminuer la force du ressort.

PIÈCES DE RECHANGE :

Il est recommandé d'utiliser uniquement les pièces de rechange Bostitch. Ne pas utiliser de pièces modifiées, ou autres pièces dont les performances ne seraient pas équivalentes aux pièces d'origine.

ALIMENTATION D'AIR - PRESSION - VOLUME :

Le volume d'air est aussi important que la pression. Le volume d'air nécessaire au bon fonctionnement de l'appareil peut être perturbé par des tuyaux et des raccordements sous dimensionnés, ou par la présence d'eau dans le circuit d'air. Même si la pression d'air lue au manomètre est correcte, les diminutions du volume d'air se traduiront par une perte de puissance de l'appareil, une diminution de la vitesse ou une alimentation inadéquate. Avant de rechercher la cause de ces symptômes, vérifier les raccords et les tuyaux depuis l'outil jusqu'à la source d'énergie et vérifier qu'il n'existe pas de raccords trop serrés, tordus, des niveaux bas contenant de l'eau, ou tout autre cause qui puisse expliquer une diminution du volume d'air vers l'appareil.

PROBLÈMES DE FONCTIONNEMENT

| PROBLÈME | CAUSE | CORRECTION |
|---|---|--|
| Fuite d'air au corps de valve de détente. | Joints toriques coupés ou usés. | Remplacer les joints toriques. |
| Fuite d'air à la tige de valve de détente. | Joints toriques ou garnitures coupés ou usés. | Remplacer joints toriques /garnitures. |
| Fuite d'air entre le corps et le nez. | Vis du nez desserrées. | Resserrer les vis |
| | Joints toriques ou garniture coupés ou usés. | Remplacer les joints toriques. |
| | Amortisseur coupé ou usé. | Remplacer l'amortisseur. |
| Fuite d'air entre le chapeau et le corps. | Garniture coupée. | Remplacer la garniture. |
| | Amortisseur de tête coupé ou usé. | Remplacer l'amortisseur. |
| | Vis de chapeau desserrées. | Resserrer les vis. |
| Cycle incomplet | Pertes de charges dans le circuit d'air. | Vérifier le circuit d'air |
| | Joints toriques de la valve de tête coupés ou usés. | Remplacer les joints toriques. |
| | Ressort du chapeau de cylindre cassé. | Remplacer le ressort. |
| Perte de puissance | Ressort du chapeau de cylindre cassé. | Remplacer le ressort. |
| Fonctionnement ralenti | Joints toriques ou garnitures coupés ou usés. | Remplacer les joints toriques/garnitures. |
| | Échappement bloqué | Vérifier l'amortisseur et le ressort de valve de tête. |
| | Système détente usé ou ayant une fuite. | Remplacer le système de détente. |
| | Particules obstruant le canal de l'enfonceur. | Démonter le nez/enfonceur et nettoyer. |
| | L'extrémité du cylindre n'est pas positionnée correctement sur l'amortisseur inférieur. | Démonter et réinstaller. |
| | Valve de tête sèche. | Démonter et lubrifier |
| | Pression d'air trop faible. | Vérifier le circuit d'air. |
| Éléments d'assemblage manquants | Amortisseur usé. | Remplacer l'amortisseur. |
| Alimentation Intermittente | Particules obstruant le canal de l'enfonceur. | Démonter le nez/enfonceur et nettoyer. |
| | Pertes de charges dans les raccords rapides du circuit d'air. | Remplacer les raccords rapides du circuit. |
| | Joint du piston usé. | Remplacer le joint, vérifier l'enfonceur. |
| | Ressort du poussoir endommagé. | Remplacer le ressort. |
| | Pression d'air trop faible. | Vérifier le circuit/régler la pression d'air. |
| | Vis du magasin desserrées. | Resserrer les vis. |
| | Éléments d'assemblage trop courts | Utiliser les éléments d'assemblage recommandés. |
| | Éléments d'assemblage tordus | Cesser l'utilisation de ces éléments |
| | Taille incorrecte des éléments d'assemblage | Utiliser les éléments d'assemblage recommandés. |
| | Fuite à la garniture du chapeau de tête. | Resserrer les vis/remplacer la garniture. |
| | Joints toriques de la valve de détente coupés ou usés. | Remplacer les joints toriques. |
| | Enfonceur usé ou cassé. | Remplacer l'enfonceur/vérifier le joint de piston. |
| | Magasin usé. | Remplacer le magasin |
| Les éléments d'assemblage se coincent dans l'appareil | Canal de l'enfonceur usé. | Remplacer le nez/vérifier la porte. |
| | Taille incorrecte des éléments d'assemblage. | Utiliser les éléments d'assemblage recommandés. |
| | Éléments d'assemblage tordus | Cesser d'utiliser ces éléments |
| | Vis du nez/magasin desserrées. | Resserrer les vis. |
| | Enfonceur usé ou cassé. | Remplacer l'enfonceur. |

ATTENTION:

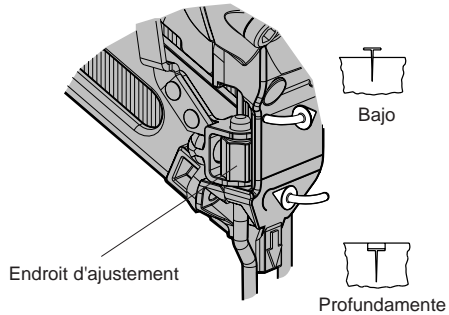
Toujours désaccoupler l'appareil de sa source d'énergie : 1) avant tout réglage; 2) lors de l'entretien; 3) lors du désenrayage; 4) à la fin de l'utilisation; 5) lors du déplacement vers une nouvelle zone de travail, car un déclenchement accidentel peut se produire et causer des blessures.

RÉGLAGE DE LA PROFONDEUR DE L'ÉLÉMENT D'ASSEMBLAGE AVEC "DIAL-A-DEPTH™"

Le réglage de la profondeur de l'élément d'assemblage DIAL-A-DEPTH permet d'obtenir un contrôle précis de la profondeur de clouage; depuis le clouage à fleur, juste au dessus de la surface de travail jusqu'au fraisage peu profond ou profond. Tout d'abord, il faut régler la pression d'air pour une éjection régulière dépendant de la tâche spécifique, tel que décrit en page 20, puis utiliser le DIAL-A-DEPTH pour obtenir la profondeur de clouage désirée.

POUR RÉGLER LE DIAL-A-DEPTH :

1. Après avoir réglé la pression d'air (se référer au réglage de la pression en page 20), éjecter quelques éléments d'assemblage dans des échantillons de matériau équivalent afin de décider si un réglage est nécessaire.
2. Si un réglage est nécessaire, déconnecter la source d'air.
3. Ouvrez le couvercle de déclenchement et tournez l'écrou de réglage moleté tel qu'indiqué pour régler la profondeur de fraisage.
4. Réfermez le couvercle. Avant de reconnecter la source d'air, vérifier que les pièces du mécanisme de déclenchement marchent librement sans grippage ou blocage.

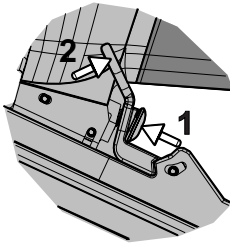


ENLEVEZ LE CLOU COINCE

Modele N52FN et N62FN inclure a chargeur a coinçe.

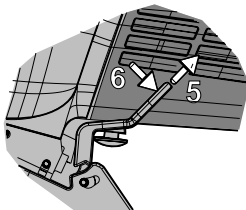
ATTENTION:

TOUJOURS DEBRANCHER LA SOURCE D'ALIMENTATION D'AIR AVANT DE DÉGAGER UNE ATTACHE BLOQUÉE.



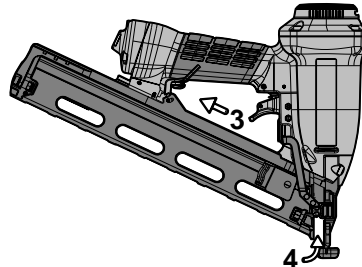
Dégager Bloquée

Coupez l'arrivée d'air.
Relachez le poussoir et faites le glisser vers l'avant.
1: Presser bouton loquet
2: Relachez le loquet transparent.



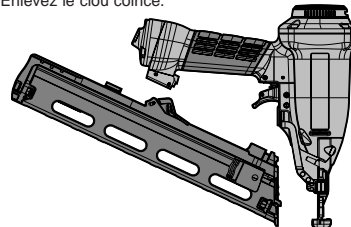
Chargeur a Declenchement Complet

5: Tirer le loquet.
6: Tourner le loquet.



Chargeur a Declenchement Partial.

3: Ouvrir le rail en le glissant.
4: Enlevez le clou coinçe.



Magasin Depose

7: Desenclencher le système de verrouillage et tirer la magasin vers l'arrière.
Remplacer et refaire les étapes en sens inverse pour remonter.

