

Shuttle

The Ultimate in Style & Performance®



3 & 4 Wheel Scooters

Owner's Manual



Exeter, PA
St. Catharines, ON

1-800-800-8586
www.pridemobility.com

SAFETY GUIDELINES

Read and follow all of the instructions in this manual before you attempt to operate your scooter for the first time. If you are unable to understand any of this information or require additional assistance for set-up, contact your local Pride Provider or call the Pride Tech Service Department at **1-800-800-8586**.

The following symbols are used throughout this Owner's Manual to identify warnings and cautions. It is very important for you to read and understand them completely.



WARNING! Failure to heed the warnings in this owner's manual may result in personal injury.



CAUTION! Failure to heed the cautions in this owner's manual may result in damage to your mobility vehicle.

Please be sure to fill out and return your warranty card. Also, notify us of any change of address so that we can keep you apprised of important information about safety, new products, and new options that can increase your ability to use and enjoy your scooter.

Your Shuttle:

Body Color _____

Serial # _____

Purchase Date _____

Options _____

Your authorized Pride Mobility Products Corporation provider:

Name _____

Address _____

Phone _____

C O N T E N T S

I. INTRODUCTION	5
II. SAFETY	6
III. EMI/RFI	9
IV. SPECIFICATIONS	11
V. DESCRIPTION	13
VI. BATTERIES AND CHARGING	17
VII. OPERATION	21
VIII.COMFORT ADJUSTMENTS	23
IX. DISASSEMBLY AND ASSEMBLY	25
X. OPTIONAL ACCESSORIES	27
XI. BASIC TROUBLESHOOTING	28
XII. CARE AND MAINTENANCE	29
XIII. WARRANTY	31

COPYRIGHT

Pride cannot be held responsible for any damage or injury incurred due to improper or unsafe use of a Shuttle Scooter. Nor can Pride be held responsible for any damage or injury incurred during or resulting from attempts to follow the instructions and recommendations set forth in this owner's manual or in any of the instructions displayed on or accompanying the product itself. If you do not feel capable of safely following any of the instructions and recommendations pertaining to your Shuttle Scooter, please contact your authorized Pride provider.

I. INTRODUCTION

Welcome to Pride Mobility Products Corporation (Pride). Congratulations on the purchase of your new Shuttle Scooter. The Shuttle design combines the most advanced state-of-the-art components with modern, attractive styling. We are certain that the design features and trouble-free operation of your new Shuttle Scooter will add convenience to your daily living.

At Pride, your safety is important to us. **Please read and follow all of the instructions in this manual before you attempt to operate your Scooter for the first time.** These instructions were produced for your benefit. Your understanding of these instructions is essential for the safe operation of your new Shuttle.

This owner's manual is compiled from the latest specifications and product information available at the time of publication. We reserve the right to make changes, as they become necessary. Any changes to our products may cause slight variations between the illustrations and explanations in this manual and the product you purchased.

As an owner of a Pride product, you are invited to register your product's warranty and enroll in the Pride Owners Club. You may do so by filling out and returning your enclosed registration card or by visiting Pride's web site at www.pridemobility.com. As a registered member, each time you visit our site, you will have access to the most interactive and honest educational venue available today for people with mobility needs, their families, and friends.

From the cover page of our site, click on the button that reads "Owners Club" to enter a page dedicated to current and potential Pride Mobility Product Owners. You will gain access to interviews, stories, recreation ideas, daily living tips, product and funding information, and interactive message boards. On these message boards you are invited to speak with other Pride customers as well as Pride representatives who are available to assist you with any questions or concerns you may have. You will receive a free gift simply for registering with the Pride Owners Club.

We want to hear your questions, comments, and suggestions about this manual. We would also like to hear about the safety and reliability of your new Shuttle Scooter, as well as about the service you received from your Pride provider. Also, notify us of any change of address, so we can keep you apprised of important information about safety, new products, and new options that can increase your ability to use and enjoy your Shuttle Scooter. Please feel free to write us at the address below:

Pride Mobility Products Corporation
Attn: Technical Service Department
182 Susquehanna Avenue
Exeter, PA 18643-2694

If you experience any problems with your Shuttle that you are not able to solve, or if you do not feel confident in your ability to perform any of the instructions contained in this manual, please contact your local Pride provider. Once you understand how to operate and take care of your Scooter, we are certain that it will give you years of trouble-free service and enjoyment.

The Pride Team

II. SAFETY

As you begin to use your Shuttle during your daily activities, you will encounter situations that, at first, may require some practice to negotiate on your scooter. Simply take your time as you operate your Shuttle and you will soon be in full and confident control as you maneuver through doorways, on and off of elevators, up and down ramps, and over moderate terrain.

DOORS

- Determine if the door opens toward or away from you.
- Use your hand to turn the knob or push the handle or push-bar.
- Drive your Shuttle gently and slowly forward to push the door open; or drive your Shuttle gently and slowly backwards to pull the door open.

ELEVATORS

Modern elevators have a door-edge safety mechanism that, when pushed, will reopen the elevator door(s).

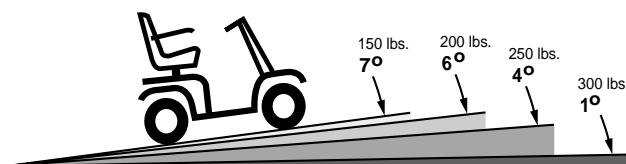
- If you are in the doorway of an elevator when the door(s) begin to close, push on the rubber door edge or allow the rubber door edge to contact the scooter and the door will reopen.
- Use care that pocketbooks, packages, or Shuttle accessories do not become caught in the elevator doors.

RAMPS AND OTHER INCLINES

More and more buildings have ramps with specified degrees of inclination. These ramps are designed for easy and safe scooter access. Some ramps may have turning switchbacks that require good cornering skills on your Shuttle.

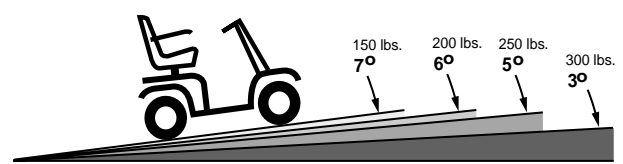
- Take wide swings with your Shuttle's front wheel(s) around any tight corners. If you do that, the Shuttle's rear wheels will follow a wide arc and not cut the corner short or bump into or get hung up on any railing corners.
- When driving down a ramp, keep the Shuttle's speed adjustment dial (see V. "Description") set to the tortoise (slowest speed setting) to ensure a safely controlled descent.
- Never drive your Shuttle across the side of a hill or diagonally up or down a hill, and do not stop, if possible, while driving up or down an incline.
- Avoid sudden stops and starts.

Other inclines may be natural or, if man-made, not designed specifically for scooters. Figure 1 and 2 illustrate your Shuttle's stability and its ability to climb grades under various weight loads and under controlled testing conditions.



SHUTTLE 3

FIGURE 1. MAXIMUM RECOMMENDED INCLINE ANGLE



SHUTTLE 4

FIGURE 2. MAXIMUM RECOMMENDED INCLINE ANGLE

II. SAFETY

These tests were conducted with the Shuttle's seat in the highest position and adjusted backward on the seat base to its farthest rearward position. Use this information as a guideline. Your Shuttle's ability to travel up inclines is affected by your weight, your scooter's speed, your angle of approach to the incline, and your scooter setup.

- When you approach an incline, it is best to lean forward. See figures 3 and 4. This will shift the center of gravity of you and your Shuttle towards the front of the scooter for improved stability.



WARNING! Do not exceed the incline guidelines or any other specifications presented in this manual.



FIGURE 3. NORMAL DRIVING POSITION

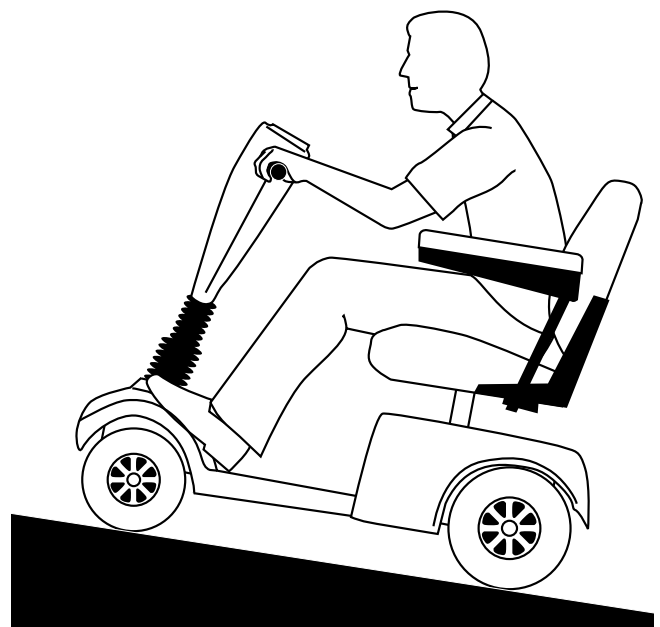


FIGURE 4. INCREASED STABILITY DRIVING POSITION

DRIVING SURFACES

Your Shuttle was designed to provide optimum stability under normal driving conditions; dry, level surfaces composed of concrete or asphalt. However, Pride recognizes the fact that there will be times when you will operate your Shuttle on surfaces other than concrete or asphalt. So we have also designed your Shuttle to perform admirably on packed soil, grass, and gravel.

- Feel free to use your Shuttle safely on lawns and in park areas.
- Avoid tall grass that can entangle the running gear.
- Packed soil and gravel, such as driveways or roads, will present no problem for your Shuttle.
- Avoid loosely packed gravel and sand.
- If you feel unsure about a driving surface, avoid that surface.

II. SAFETY

SAFETY PRECAUTIONS

- Do not operate your new Shuttle for the first time without completely reading and understanding this owner's manual.
- Do not carry passengers on your Shuttle.
- Do not leave the key in the switch when your Shuttle is unattended.
- Make certain that the seat is locked into place and that the key is removed from the key switch before getting on or off of your Shuttle. Make certain that the seat is in a locked position when you are operating your Shuttle.
- Reduce your Shuttle's speed when you are operating it on uneven terrain and soft surfaces.
- Reduce your Shuttle's speed when you are driving it around a corner.
- Never drive your Shuttle across the side of a hill or diagonally up or down a hill, and do not stop, if possible, while driving up or down an incline.
- Proceed with extreme caution as you approach the downgrade of a ramp or other incline and when driving near a raised surface or unprotected ledges and drop offs (curbs, porches, stairs, etc.).
- Never remove your Shuttle's anti-tip wheels or modify the Shuttle in any way that is not authorized by Pride.
- Use extreme caution when operating your Shuttle on busy streets and in parking lots or shopping malls and never ride your Shuttle where you cannot safely and legally walk. Consult local municipal or state agencies with regard to operating your Shuttle on public roadways.
- Do not operate your Shuttle while you are under the influence of alcohol.
- Check with your physician if you are taking any medications that may affect your ability to operate your Shuttle safely.
- Keep your hands on the tiller and your feet on the floorboard when you are operating your Shuttle.
- Make certain that the tires are properly inflated (30 psi).
- Never use your scooter as a seat in a moving vehicle.
- Make certain that the Shuttle's batteries are properly secured when you are transporting your scooter in another vehicle.
- Disconnect your Shuttle's batteries if you will not be using the scooter for more than 48 hours.
- Battery posts, terminals and related accessories contain lead and lead compounds. Wash hands after handling.



WARNING! Do not expose the electronics to any type of moisture at any time (rain, snow, mist, or washing the scooter). Such exposure can damage the electronics. Never attempt to ride a scooter that has been exposed to moisture until it has dried thoroughly.



WARNING! Do not operate or store the scooter where it may be exposed to inclement weather conditions such as rain, snow, mist, and below-freezing temperatures (such as storage on an outside car/van lift). Attempting to operate the scooter in such conditions can damage the electronics and potentially result in loss of control.



WARNING! Do not operate a scooter in icy or slippery conditions or on salted surfaces (i.e., walks or roads). Such use may result in an accident, personal injury, or adversely affect the performance and/or safety of your scooter.



WARNING! Always protect batteries from freezing temperatures and never charge a frozen battery. This will damage the battery and may cause personal injury. Attempting to charge a battery in freezing conditions does not prevent a battery from freezing.

III. EMI / RFI

EMI/RFI WARNINGS

Laboratory tests performed by the Food and Drug Administration (FDA) have shown that radio waves can cause unintended motion of electric scooters. Radio waves are a form of electromagnetic energy (EM). When electromagnetic energy adversely affects the operation of an electrical device, that adverse effect is called *Electromagnetic Interference (EMI) or Radio Frequency Interference (RFI)*.

EMI/RFI FREQUENTLY ASKED QUESTIONS (FAQS)

The following FAQs summarize what you should know about EMI/RFI. Use this information to minimize the risk that EMI/RFI will adversely affect your Shuttle.

Where do radio waves come from?

Radio waves are emitted from the antennas of cellular phones, mobile two-way radios (such as walkie-talkies and CBs), radio stations, TV stations, amateur radio (HAM) transmitters, wireless computer links, microwave sources, and paging transmitters. Radio waves are a form of electromagnetic energy (EM). Because EM is more intense closer to transmitting antennas (sources of emission), the EM fields from two-way radios are of special concern to electric scooter users.

If EMI/RFI affects my Shuttle, what kind of motion should I expect?

The motion of any electric scooter affected by EMI/RFI can be erratic. The scooter may come to a sudden stop or move in an uncontrolled manner. Also, it is possible for EMI/RFI to release the brakes of an electric scooter. Some intense EMI/RFI can even damage the control system components of an electric scooter.

Is there any way to know for certain whether or not radio waves are the cause of any unintended motion of my Shuttle?

Unfortunately, EMI/RFI may be difficult to recognize, since the signals from radio sources are invisible and may be intermittent. However, the FDA recommends that you report all incidents of unintended motion or unintended brake release of your electric scooter to the scooter's manufacturer and, if possible, determine whether or not there was a radio wave source nearby at the time of the incident.

One precaution you can take against inadvertent motion of your Shuttle is to make certain that you or someone else is not the cause of the unintended motion.

- Turn off your Shuttle by removing the key from the key switch when you are getting on or off of your Shuttle.
- Never leave the key in the key switch of an unattended Shuttle.

By following these steps, you greatly reduce the risk of you or anyone else inadvertently bumping the throttle control levers and causing the Shuttle to move unintentionally.

Are all electric scooters susceptible to EMI/RFI?

Each make and model of electric scooter differs in its ability to resist EMI/RFI. That is, each scooter has a particular level of resistance to EMI/RFI. This resistance is measured in volts per meter (V/m). A higher resistance level offers greater protection against EMI/RFI. In other words, an electric scooter with a high resistance level is less likely to be affected by a strong radio source than is an electric scooter with a low resistance level.

III. EMI/RFI

What is the FDA doing about the problem?

The FDA has written to the manufacturers of electric scooters and requested that those manufacturers test their new models of scooters to be certain that they provide a reasonable degree of resistance against EMI/RFI. The FDA has stated that all newly manufactured models of electric scooters should have a resistance level of at least 20 V/m. This level of resistance provides a reasonable degree of protection against the common sources of EMI/RFI.

The FDA has also requested or recommended that:

- Electric scooter manufacturers clearly label new products with that product's resistance level or state that the resistance level is not known.
- The labeling or informational material supplied with new electric scooters must explain what the resistance level means and warn users about the possibility of EMI/RFI and how to avoid it.
- Manufacturers of electric scooters undertake an educational program to inform the users of electric scooters and the caregivers of those users about the problems associated with EMI/RFI and about the actions the users and caregivers can take to minimize the risk of EMI/RFI.
- While there is no exact way to tell if your scooter is totally safe, an immunity level of 20 V/m (May 1994) is achievable. This product has been tested and passed at an immunity level of 20 V/m. Adding accessories and components or modifying the unit may change the susceptibility to EMI/RFI.

What can I do to find out if my Shuttle is likely to be affected by EMI/RFI?

If you have had your Shuttle for some time and have not experienced any unintended motion, it is not likely that you will have a problem in the future. However, it is always possible that EMI problems could arise if you are close to a source of radio waves. Therefore, it is very important for you to be alert to this possibility. The Shuttle meets or exceeds a resistance level of at least 20 V/m.

What can I do to reduce the risk of my Shuttle being affected by EMI/RFI?

Here are some precautions you can take:

- Do not turn on or use hand-held personal communications devices, such as citizens band (CB) radios and cellular phones, while your Shuttle is turned on.
- Be aware of nearby radio wave transmitters, such as radio or TV stations and hand-held or mobile two-way radios. Try not to operate your Shuttle too close to those transmitters. For example, if you are on an electric scooter with a resistance level of at least 20 V/m, you should remain at least three feet from a hand-held two-way radio and at least ten feet from a mobile two-way radio.
- Be aware that adding accessories and/or components, or modifying your Shuttle in any way may change its EMI/RFI resistance level and may make it more susceptible to interference from radio wave sources.

What should I do if my Shuttle moves unexpectedly?

If unintended motion or unintended brake release occurs, turn off your Shuttle (by removing the key) as soon as it is safe to do so.

If my Shuttle moves unintentionally, where should I report the incident?

Call our headquarters at (570) 655-5574 to report the incident.

IV. SPECIFICATIONS

Model Numbers	Shuttle 3: SC100 Shuttle 4: SC140
Length	Shuttle 3: 46.5 in. Shuttle 4: 47.5 in.
Width	24in.
Tires	Type: Pneumatic Front: 3.5 in. x 10 in. Rear: 3.5 in. x 10 in.
Weight Capacity	300 lbs. Maximum
Battery Type (Batteries not included)	Two 12-volt, 32 AH, U-1 type, SLA (sealed lead-acid)
Horsepower	1.1 hp (peak)
Charger	Onboard 3-amp charger
Speed (Maximum)	Variable up to 5.25 mph
Maximum Grade	See figures 1 and 2
Range	Up to 20-25 miles
Turning Radius	Shuttle 3: 45 in. Shuttle 4: 59 in.
Body Colors	Painted: Gray Molded Plastic
Seating	Style: Foldable molded plastic; removable seat covers with foam inserts are attached to seat. Dimensions: 18in. width (usable) x 13.5in. height (usable) x 16in. depth Seat cover material: Gray; Vinyl or Fabric Armrests: Gray molded rubber User Adjustable seat height from ground: 20in. to 22in. User Adjustable seat height from scooter deck: 16.5in. to 18.5in.
Included Features:	Adjustable seat height and positioning, external freewheel release lever, external circuit breaker, easily accessible battery charger A/C plug receptacle
Brakes	Electronic regenerative braking and electromechanical disc brake
Rear Wheel Drive	Transaxle, 24V
Wheels	Aluminum alloy wheels, black
Tiller Type	Adjustable
Freewheel Mechanism	Freewheel release lever located on end of transaxle
Weight of Scooter	Total weight of Shuttle without batteries 3 wheel = 109.0 lbs. 4 wheel = 128.5 lbs. Component breakdown: Front section: Shuttle 3 34.0 lbs. Shuttle 4 53.0 lbs. Rear section (without batteries or rear shroud): 53.0 lbs. Seat with armrests: 22.5 lbs. Batteries: 12V, 32 AH: 25.0 lbs.(each) (Note: two batteries are required per scooter)
Front-to-Rear Lockup	Dual lever lock system
Ground Clearance	4.5 in.
Optional Accessories	Power seat, cup holder, cane/crutch holder, headlight, taillight, rearview mirror, flag

IV. SPECIFICATIONS

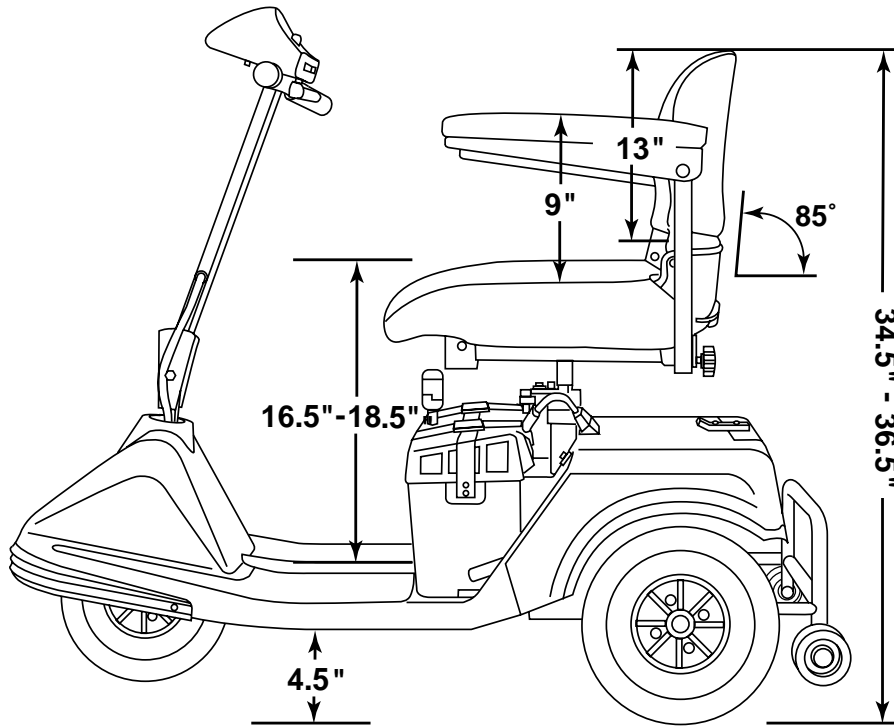
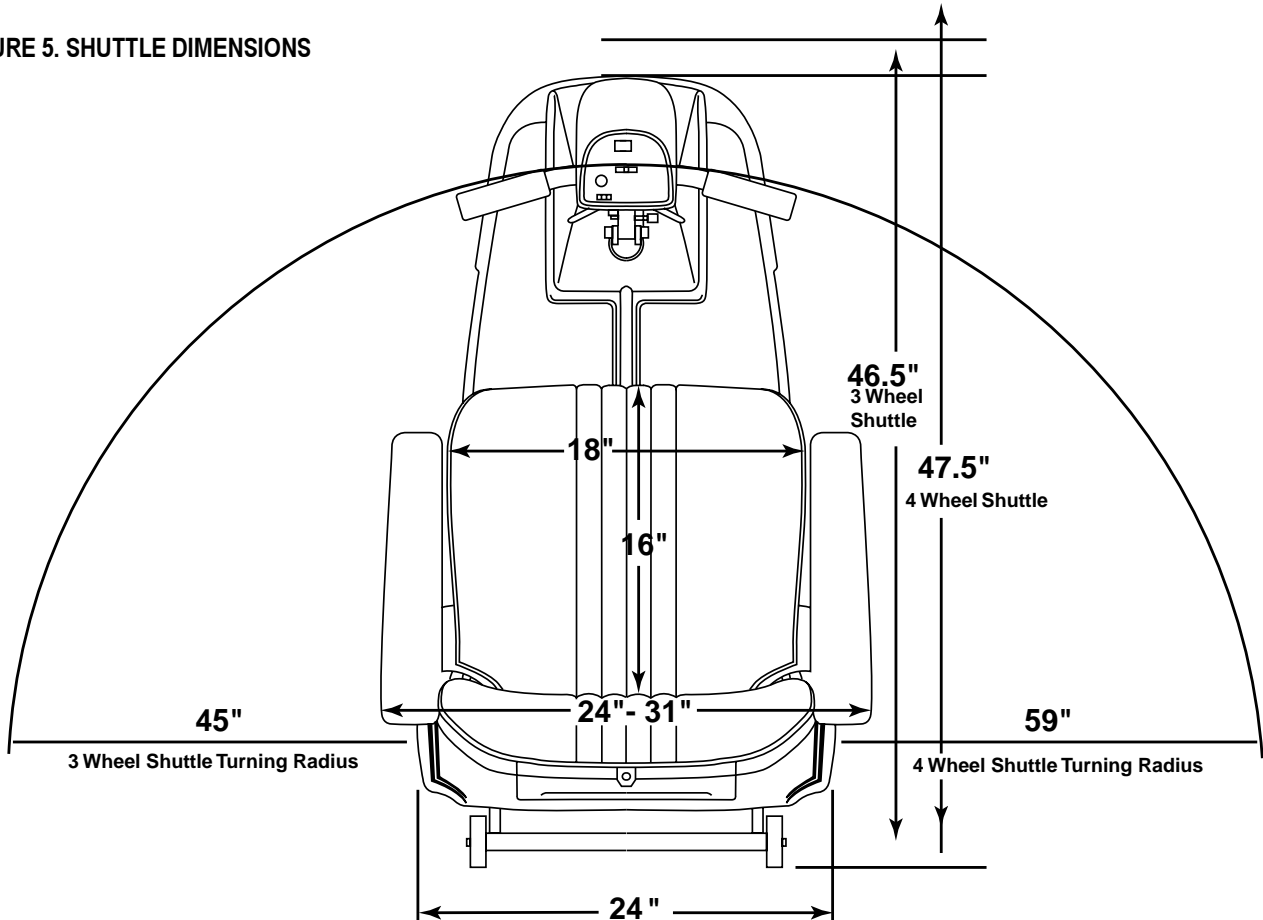


FIGURE 5. SHUTTLE DIMENSIONS



V. DESCRIPTION

Your Shuttle is a motorized electric scooter designed to enhance your personal mobility. Your Shuttle is an indoor/outdoor scooter that was designed to travel primarily on smooth surfaces such as sidewalks, roads, parking lots, floors, and driveways. For easy transportation or storage, you can disassemble your Shuttle into five components. See figure 6.

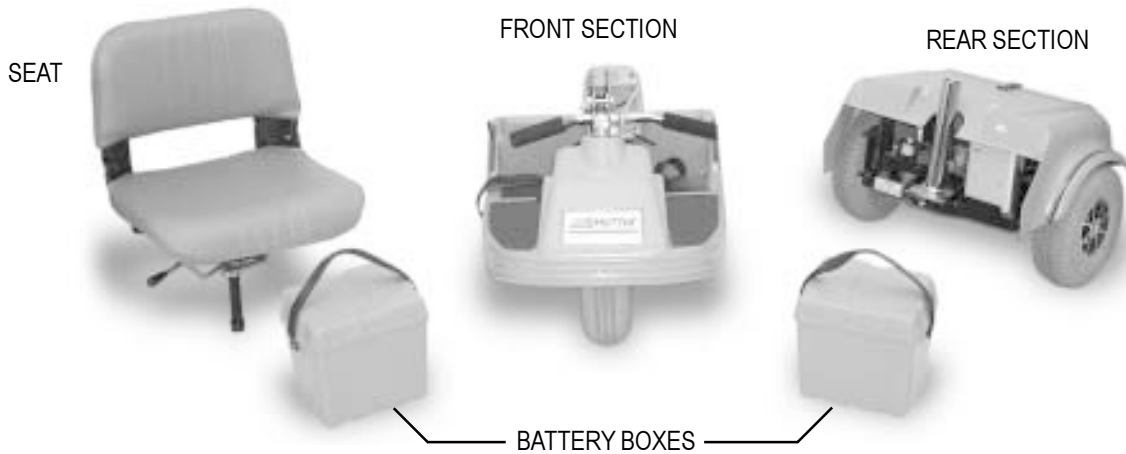


FIGURE 6. FIVE SHUTTLE COMPONENTS

CONTROL CONSOLE ASSEMBLY

The control console assembly houses all of the controls you need to drive your Shuttle, including the key switch, the speed adjustment dial, the throttle control lever, the battery condition meter, the horn button, and the (optional) light switch. See figure 7.



FIGURE 7. CONTROL CONSOLE ASSEMBLY

V. DESCRIPTION

Do not expose the control console assembly to moisture. In the event that the console does become exposed to moisture, do not attempt to operate your Shuttle until the control console assembly has thoroughly dried.

Key Switch

- Fully insert the key into the key switch to power up (turn on) your Shuttle.
- Pull the key out to power down (turn off) your Shuttle.



WARNING! If the key is removed from the key switch while your Shuttle is in motion, the electronic brakes will engage and your Shuttle will come to an abrupt stop!

Speed Adjustment Dial

This dial allows you to preselect and limit your Shuttle's top speed.

- The image of the tortoise represents the slowest speed setting.
- The image of the hare represents the fastest speed setting.

Horn Button

- The key must be fully inserted into the key switch for the horn to be operational.
- This button activates a warning horn.
- Do not hesitate to use the warning horn when you feel its use will prevent accident or injury.

Throttle Control Lever

This lever allows you to control the forward speed and the reverse speed of your Shuttle up to the maximum speed preset at the speed adjustment dial.

- Place your right hand on the right handgrip and your left hand on the left handgrip.
- Use your right thumb to push the right side of the lever to disengage your Shuttle's brake and move forward.
- Release the lever and allow your Shuttle to come to a complete stop before pushing the left side of the lever to move in reverse.
- When the throttle is completely released, it will automatically return to the center "stop" position and engage your Shuttle's brake.

Battery Condition Meter

Whenever you have the key fully inserted, this meter will give an approximate reading of your Shuttle's battery voltage.

Light Switch (Optional)

This switch controls your Shuttle's headlight system.

- Press this switch once to turn on the lights.
- Press it again to turn off the lights.

Power Seat Switch (Optional)

- With this switch set in the "drive" position, the throttle lever will perform as described earlier. With the switch in the "seat" position, the throttle lever will raise or lower the optional power seat assembly.

V. DESCRIPTION

REAR SECTION

The onboard battery charger (not shown), the charger cord, the battery charger fuse (not shown), the batteries, the electronic controller assembly, the main circuit breaker, the manual freewheel lever, the anti-tip wheels, and the motor/transaxle assembly are located on the rear section of your Shuttle. See figures 8 and 8A.

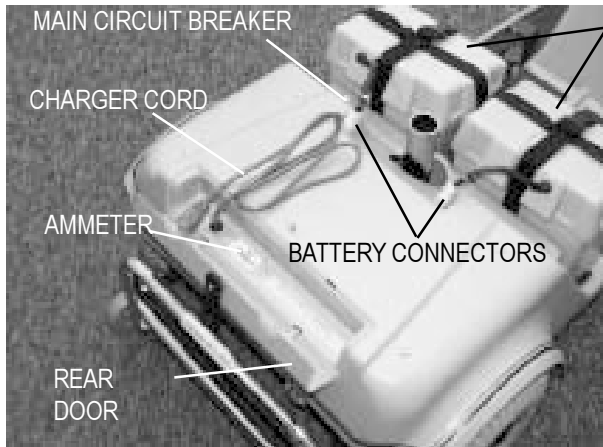


FIGURE 8. REAR SECTION

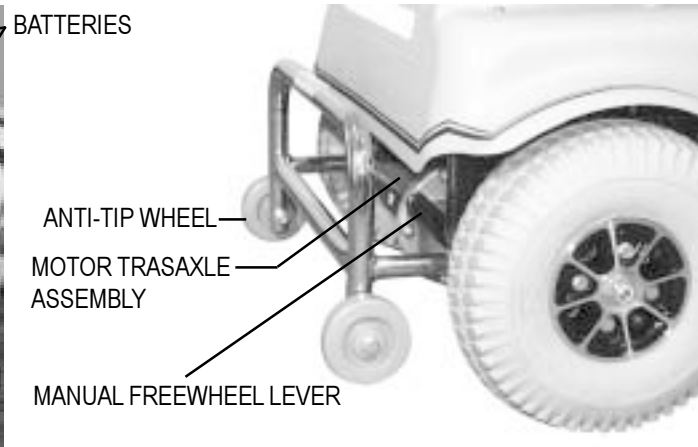


FIGURE 8A. REAR SECTION

Onboard Battery Charger (not shown)

The onboard battery charger converts household current (AC) to direct current (DC) and charges the batteries of your Shuttle. See VI. “Batteries and Charging.”

- The charger is located behind the batteries and at the forward right corner of the rear section.
- The charger is a box with cooling fins on the exterior of its case.

Ammeter and Charger Cord

On the rear shroud, above the chrome bumper, is a compartment door secured by a black rubber latch. Inside this compartment is the charging ammeter and power cord for the scooter’s onboard charger.

NOTE: The ammeter is operational only when the charger power cord is plugged into a standard wall outlet.

Battery Charger Fuse (Not shown)

The fuse has been incorporated into your charger to protect it from damage in the event of an electrical problem.



CAUTION! The replacement fuse must match the rating of the original fuse exactly. If you install a fuse with an incorrect rating, you may damage the charger. Contact your local Pride provider for fuse rating information.

Batteries

The batteries store the electrical energy that powers your Shuttle. See VI. “Batteries and Charging.”

V. DESCRIPTION

Electronic Controller Assembly (not shown)

The electronic controller assembly is located behind the batteries and at the forward left corner of the Shuttle's rear section. This assembly receives electrical signals from the control console assembly controls and sends power to the motor, the brakes, and the optional lighting system.

Main Circuit Breaker

When the voltage in your Shuttle's batteries becomes low or your Shuttle is heavily strained because of excessive loads or steep inclines, the main circuit breaker may trip to protect your Shuttle's motor and electronics from damage.

- The main circuit breaker is located on the front of the rear shroud (behind the left battery case). See figure 8.
- The main circuit breaker reset button pops out when the breaker trips.
- When the breaker trips, the entire electrical system of your Shuttle is shut down.
- Allow a minute or so for your Shuttle's electronics to "rest."
- Push in the reset button to reset the breaker.
- If the breaker trips frequently, you may need to charge your batteries more often. You may also need to have your Pride provider perform a 50-amp load test on your Shuttle's batteries.
- If the main circuit breaker trips repeatedly, see your authorized Pride provider for service.

Manual Freewheel Lever

Whenever you need, or want, to push your Shuttle for short distances, you can put it in manual freewheel mode.



WARNING! Before placing your Shuttle into or taking it out of freewheel mode, make certain that the key is removed from the key switch. Even though the motor of your Shuttle is disengaged from the drive system when your scooter is put in manual freewheel mode, the motor can still run if the throttle lever is pushed. Never sit on a scooter when it is in freewheel mode. Never put a scooter in freewheel mode on any incline.

- The manual freewheel lever is located on the end of the motor/transaxle assembly at the right rear of the Shuttle. See figure 8A.
- Pull up on the manual freewheel lever to disable the drive system and the brake system.
- You will then be able to push your Shuttle.
- Push down on the manual freewheel lever to reengage the drive system.

Anti-Tip Wheels

The anti-tip wheels are an integral and important safety feature of your Shuttle. Do not, under any circumstances, remove the anti-tip wheels from your Shuttle. See figure 8A.

VI. BATTERIES AND CHARGING

Your Shuttle uses two long-lasting, 12-volt, deep-cycle batteries that are sealed and maintenance-free. They are recharged by an onboard 3-amp charging system designed for ease of use and convenience.

- Charge your Shuttle's batteries prior to using it for the first time.
- Keeping your batteries fully charged is one of the best ways to keep your Shuttle running trouble-free.

Follow these easy steps to charge your batteries safely:

1. Position your scooter close to a standard wall outlet.
2. Remove the key from the key switch.
3. Open the rear compartment cover and plug the power cord into a wall outlet.



WARNING! Never use an extension cord to plug in your battery charger. Plug the charger directly into a properly wired standard wall outlet.

4. Check the indicator needle on the charger ammeter. See figure 8. This will be your indication of how fully charged the batteries are. Initially, the meter may read as high as 5 or more amps when charging low batteries.
5. We recommend that you charge the batteries for 8 to 14 hours. As the batteries charge, the ammeter will slowly drop to zero. When the batteries are fully charged, the needle will vibrate on or about the zero point on the meter scale.
6. When the batteries are fully charged, you can unplug the power cord, place the cord back into the charging compartment, and close the compartment door.

BATTERIES AND CHARGING-FREQUENTLY ASKED QUESTIONS (FAQS)

How does the charger work?

When your Shuttle's battery voltage is low, the charger works extra and sends more electrical current to the batteries to bring up their charge. As the voltage of the batteries approaches a full charge, the charger works less to complete the charging cycle by sending less and less electrical current to the batteries. When the batteries are fully charged, the current being sent to them from the charger is at nearly zero amperage. Therefore, when the charger is plugged in, it will maintain the charge on your Shuttle's batteries, but it will not overcharge them. We do not recommend that you charge your Shuttle's batteries for more than 24 consecutive hours.

CAN I USE A DIFFERENT CHARGER?

For the safest, most efficient, and balanced charging of your Shuttle's batteries, we prefer and highly recommend the simultaneous charging of both batteries by using the onboard battery charger.

How often must I charge the batteries?

Two major factors must be considered when deciding how often to charge your Shuttle's batteries.

- All day scooter use on a daily basis.
- Infrequent or sporadic scooter use.

VI. BATTERIES AND CHARGING

With these considerations in mind, you can determine just how often and for how long you should charge your Shuttle's batteries. We designed the onboard charger so that it will not overcharge your scooter's batteries (do not charge them for more than 24 consecutive hours). However, you may encounter some problems if you do not charge your batteries often enough and if you do not charge them on a regular basis. Utilizing the following five guidelines will provide safe and reliable battery operation and charging.

- If you use your Shuttle daily, charge its batteries as soon as you finish using it for the day. Your Shuttle will be ready each morning to give you a "full day" of service. We recommend that you charge your Shuttle's batteries for 8 to 14 hours after daily use.
- If you use your Shuttle once a week or less, charge its batteries at least once per week for 12 to 14 hours at a time.
- Keep your Shuttle's batteries fully charged.
- Avoid deeply discharging your Shuttle's batteries.
- Do not charge your Shuttle's batteries for more than 24 consecutive hours.

How can I get maximum range or distance per charge?

Rarely will you have ideal driving conditions—smooth, flat, hard driving surfaces with no wind or curves. You will often face hills, sidewalk cracks, uneven and loosely packed surfaces, curves, and wind. All of these driving conditions will affect the distance or running time per battery charge. Below are a few suggestions for obtaining the maximum range per battery charge.

- Always fully charge your Shuttle's batteries prior to your daily use.
- Maintain 30 psi (pounds per square inch) in all of your Shuttle's tires.
- Plan your route ahead to avoid as many hills, cracked, broken, or soft surfaces as possible.
- Limit your baggage weight to essential items.
- Try to maintain an even speed while your Shuttle is in motion.
- Avoid stop-and-go driving.

What type and size of battery should I use?

We recommend deep-cycle batteries that are sealed and maintenance-free. Both Sealed Lead-Acid (SLA) and Gel Cell are deep-cycle batteries that offer similar performance in your Shuttle. Do not use wet-cell batteries, which have removable caps.

NOTE: Do not remove the caps from sealed batteries. Water cannot be added to sealed batteries. Cap removal will void the battery warranty and may cause damage to the batteries and to your Shuttle.

Use these specifications to reorder deep-cycle batteries:

Type: Deep-cycle (sealed lead-acid or gel cell)
Size: U-1
Voltage: 12 volts each
Amperage: 32 AH (amp hours)

VI. BATTERIES AND CHARGING

To change a battery in your Shuttle:

1. Remove the seat. See figure 14.
2. Unstrap the batteries from the floorboard.
3. Remove the top of the battery case.
4. Disconnect the battery cables from the battery terminals. See figure 9.
5. Remove the old battery.
6. Place a new battery in the battery well.
7. Connect the red battery cable to the positive (+) battery terminal.
8. Connect the black battery cable to the negative (-) battery terminal.
9. Place the cover on the battery case.
10. Reconnect the battery strap.
11. Reinstall the seat.

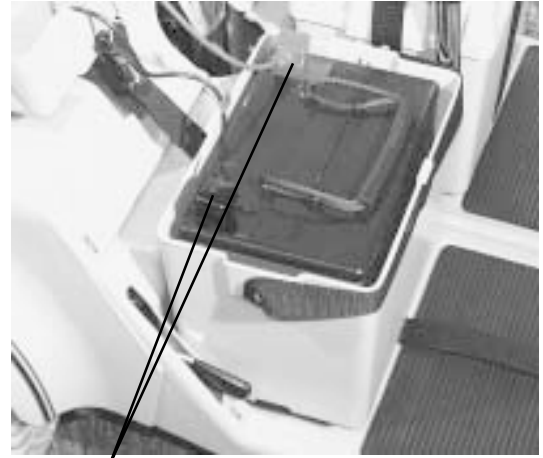


FIGURE 9. BATTERY CABLES



WARNING! Battery posts, terminals and related accessories contain lead and lead compounds. Wash hands after handling.

Why do my new batteries seem weak?

Deep-cycle batteries employ a different chemical technology than is used in car batteries, nickel-cadmium batteries (nicads), or in other common battery types. Deep-cycle batteries are specifically designed to provide power, drain down their charge, and then accept a relatively quick recharge.

We work closely with our battery manufacturers to provide batteries that best suit your scooter's specific electrical demands. Fresh batteries arrive daily at Pride and are shipped fully charged to our customers. During shipping, the batteries may encounter temperature extremes that may influence their initial performance. Heat will diminish the charge on the battery; cold will slow the available power and extend the time needed to recharge the battery.

It may take a few days for the temperature of your Shuttle's batteries to stabilize and adjust to their new room or ambient temperature.

More importantly, it will take a few charging cycles (a partial drain followed by a full recharge) to establish the critical chemical balance that is essential to a deep-cycle battery's peak performance and long life.

Follow these steps to break in your Shuttle's new batteries for maximum efficiency and life.

1. Fully recharge any new battery prior to its initial use. This charging cycle will bring the battery up to about 88% of its peak performance level.
2. Operate your new Shuttle in familiar and safe areas. Drive slowly at first, and do not travel too far from your home or familiar surroundings until you have become accustomed to your Shuttle's controls and have properly broken in your scooter's batteries.
3. Fully recharge the batteries. They will now be at over 90% of their peak performance level.
4. Operate your Shuttle again.

VI. BATTERIES AND CHARGING

5. Fully recharge the batteries again.
6. After four or five charging cycles, the batteries will be able to receive a charge of 100% of their peak performance level and will be able to last for an extended period of time.

How can I ensure maximum battery life?

Fully charged deep-cycle batteries will provide reliable performance and extended battery life. Keep your Shuttle's batteries fully charged whenever possible. Batteries that are regularly and deeply discharged, infrequently charged, or stored without a full charge may be permanently damaged, causing unreliable performance and limited life.

How should I store my Shuttle and its batteries?

If you plan on not using your Shuttle for an extended period of time, it is best to:

- Fully charge its batteries prior to storage.
- Disconnect the battery harnesses from the electronic controller assembly.
- Store your Shuttle in a warm, dry environment.
- Avoid storing your Shuttle where it will be exposed to temperature extremes.



WARNING! If your Shuttle's batteries do become frozen, do not attempt to charge them. Cold or frozen batteries should be allowed to warm up for several days prior to recharging.

For prolonged storage, you may wish to place several boards under the frame of your Shuttle to raise the scooter off of the ground. This takes the weight off of the tires and prevents the possibility of flat spots from developing on the areas of the tires in contact with the ground.

What about public transportation?

If you intend to use public transportation while using your scooter, you must contact in advance the transportation provider to determine their specific requirements.

VII. OPERATION

GETTING ON YOUR SHUTTLE

1. Make certain that the key is removed from the key switch.
2. Stand at the side of your Shuttle.
3. Push down on the seat lock lever and rotate the seat until it is facing you.
4. Make certain that the seat is locked securely in position.
5. Position yourself comfortably and securely in the seat.
6. Push down on the seat lock lever and rotate the seat until you are facing forward.
7. Make certain that the seat is locked securely in position.
8. Make certain that your feet are safely on the floorboard.
9. Follow the checklist below. Familiarize yourself with this checklist, since some of the checks must be performed before you get on your Shuttle.

PRE-RIDE ADJUSTMENTS AND CHECKS

- ✓ Have you fully charged the batteries? See VI. "Batteries and Charging."
- ✓ Is the manual freewheel lever in the drive (down) position? See V. "Description." Never leave the manual freewheel lever pulled up unless you are manually pushing your Shuttle.
- ✓ Is your proposed path clear of people, pets, and obstacles?
- ✓ Have you planned your route to avoid adverse terrain and as many inclines as possible?
- ✓ Are you positioned comfortably in the seat? See "Getting On Your Shuttle" above.
- ✓ Is the seat at the proper height? See VIII. "Comfort Adjustments."
- ✓ Is the seat locked securely in place? See VIII. "Comfort Adjustments."
- ✓ Is the tiller handle at a comfortable setting and locked securely in place? See VIII. "Comfort Adjustments."
- ✓ Is the key fully inserted into the key switch? See V. "Description."
- ✓ Is the speed adjustment dial set to a slower setting? See V. "Description."
- ✓ Are you grasping the handgrips with a thumb resting on each side of the throttle lever? See V. "Description."
- ✓ Does your Shuttle's horn work properly?

OPERATING YOUR SHUTTLE

After planning your route:

- Adjust the speed adjustment dial on the control console assembly to your desired level of speed.
- Press your thumb against the appropriate side of the throttle lever.
- The electric brake will automatically disengage and the Shuttle will accelerate smoothly to the speed preselected at the speed adjustment dial.

WHETHER YOU ARE DRIVING FORWARD OR IN REVERSE

- Pull on the left handgrip to steer your Shuttle to the left.
- Pull on the right handgrip to steer your Shuttle to the right.
- Move the tiller to the center position to drive straight ahead.
- Release the throttle lever to decelerate and come to a complete stop.
- The electric brake automatically engages when your Shuttle comes to a stop.

NOTE: The rear-wheel-drive transaxle gives your Shuttle maximum traction with minimal steering effort on your part.

VII. OPERATION

GETTING OFF OF YOUR SHUTTLE

1. Bring your Shuttle to a complete stop.
2. Make certain that the key is removed from the key switch.
3. Push down on the seat lock lever and rotate the seat until you are facing toward the side of your Shuttle.
4. Make certain that seat is locked securely in position.
5. Carefully and safely get out of the seat and stand to the side of your Shuttle.
6. You may wish to leave the seat facing to the side to facilitate getting on your Shuttle the next time you are going to operate it.

VIII. COMFORT ADJUSTMENTS

TILLER ANGLE ADJUSTMENT



WARNING! Remove the key before adjusting the tiller. Never attempt to adjust the tiller while the shuttle is in motion.

You can adjust the tiller to three positions. The tiller adjustment lever locks the tiller in place. See figure 10.

1. Squeeze the tiller lock lever.
2. Reposition the tiller to one of the three possible settings. The tiller may be lowered to the center of the floorboard and locked in place for storage. See IX. “Disassembly and Assembly.”
3. Release the tiller lock lever.

SEAT HEIGHT ADJUSTMENT

The seat can be repositioned to one of five different heights in one-inch increments. See figure 11.

1. Pull the seat locking lever forward and remove the seat. See IX. “Disassembly and Assembly.”
2. Remove the nut and bolt that fastens the seat locking mechanism to the seat post.
3. Align the seat locking mechanism with one of the five holes on the seat post. Keep the second bushing (up inside the lock assembly) in place.
4. Reinstall the bolt and nut into the locking mechanism. Tighten snugly. Do not overtighten. This may cause the lock to malfunction.
5. Reinstall the seat into the seat pedestal.

ELECTRIC SEAT HEIGHT ADJUSTMENT (OPTIONAL)

1. Insert the key into the key switch.
2. Press the power seat toggle switch on the control console assembly to the “seat” position.
3. Use the throttle control lever to raise or lower the seat. Forward raises the seat. Reverse lowers the seat.

SEAT ROTATION

The seat lock lever locks the seat in one of eight positions. See figure 11.

1. Pull up on the seat lock lever to unlock the seat.
2. Rotate the seat to the desired position.
3. Release the seat lock lever to lock the seat securely in place.

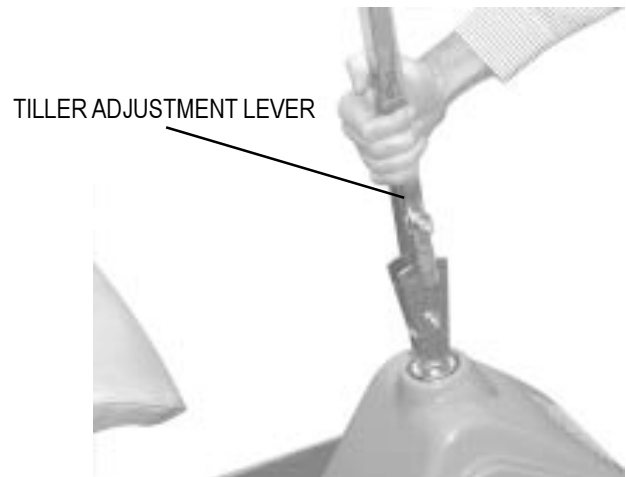


FIGURE 10. ADJUSTING THE TILLER ANGLE

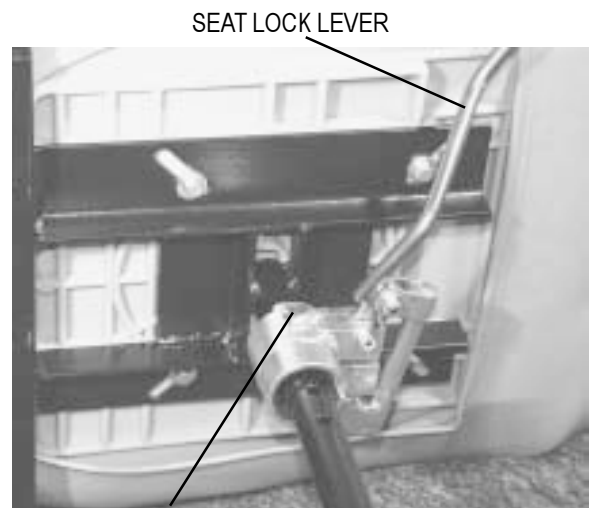


FIGURE 11. SEAT HEIGHT ADJUSTMENT BOLT

VIII. COMFORT ADJUSTMENTS

FRONT-TO-BACK SEAT ADJUSTMENT

You can reposition the Shuttle's seat forward or rearward to adjust the distance between the seat and the tiller. See figure 12.

1. Remove the seat from your Shuttle. See figure 14
2. Remove the four bolts that fasten the seat to the seat platform.
3. Align the seat platform with the desired set of holes on the seat.
4. Reinstall the four bolts securely.

ARMREST WIDTH ADJUSTMENT

The armrest width of your Shuttle can be adjusted from 24 to 31 inches. See figure 13.

1. Loosen the thumbscrews at the back of the seat frame.
2. Slide the armrests in or out to the desired width.
3. Tighten the thumbscrews.

The armrests also pivot upward to make getting on and off of your Shuttle easier.



FIGURE 12. REMOVE THESE BOLTS TO ADJUST SEAT POSITION

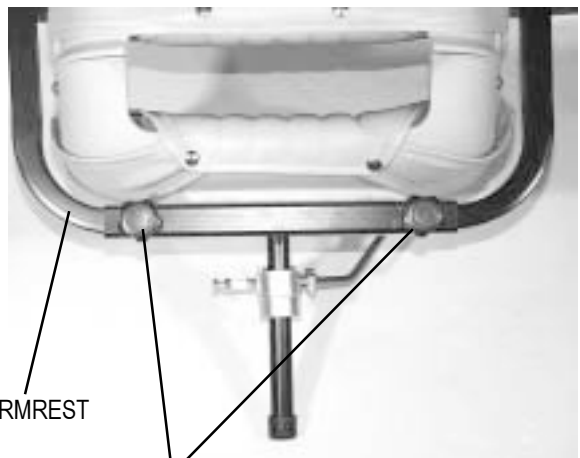


FIGURE 13. THUMBSCREWS

IX. DISASSEMBLY AND ASSEMBLY

The Shuttle 3 (three-wheel) and the Shuttle 4 (four-wheel) are identical in disassembly and assembly. No tools are required. Always disassemble or assemble your Shuttle on a level, dry surface with sufficient room for you to work and move around your scooter. Keep in mind that the disassembled sections of the Shuttle will take up more floor space than the assembled Shuttle.

DISASSEMBLY

1. Remove the key from the key switch. See V. “Description.”
2. Pull up on the manual freewheel lever. See V. “Description.” Putting your Shuttle in freewheel may make it easier for you to maneuver the rear section if the drive wheels are free to turn.
3. Make certain that the seat is locked into position (see VIII. “Comfort Adjustments”) and lift the seat up and off of your Shuttle. See figure 14.
4. Unstrap the battery cases.
5. Disconnect both battery harnesses from the rear frame assembly. See figure 15.
6. Remove the battery cases from the floorboard. See figure 16.



CAUTION! Failing to unplug both battery harnesses and the front-to-rear connector prior to further disassembly could result in permanent damage to your Shuttle.

7. Place the tiller in its lowest position. See figure 17.
8. Place the frame lock levers in the unlocked position. See figure 18.
9. Grab the center of the two frame sections, lift up, and separate the two sections. See figure 19.
10. Disconnect the front-to-rear cable. See figure 20.

ASSEMBLY

1. Pull up on the manual freewheel lever. See V. “Description.” Putting your Shuttle in freewheel may make it easier for you to maneuver the rear section if the drive wheels are free to turn.
2. Position the front and rear sections of your Shuttle as shown in figure 19.
3. Insert the front-to-rear cable into the connector on the rear frame assembly.
4. Place both locking levers in the unlock (up) position. See figure 18.
5. Grab the center of the two frame sections, lift up, and align the locking brackets on the front frame with the posts on the rear frame.
6. Gently push down the front section until the locking brackets are fully inserted. See figure 21.
7. Place both locking levers in the lock (down) position.
8. Place the batteries on the floorboard and insert the battery harnesses into the connectors on the rear frame assembly. See figure 15 and 16.
9. Fasten the battery straps around each battery case.
10. Install the seat.

IX. DISASSEMBLY AND ASSEMBLY



FIGURE 14. SEAT REMOVAL



FIGURE 15. BATTERY HARNESS



FIGURE 16. BATTERY REMOVAL / REPLACEMENT

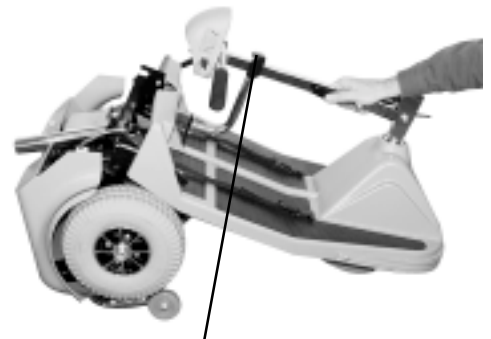


FIGURE 17. TILLER'S LOWEST POSITION



FIGURE 18. FRAME LOCK LEVER



FIGURE 19. FRAME SEPARATION



FIGURE 20. FRONT-TO-REAR CABLE CONNECTOR

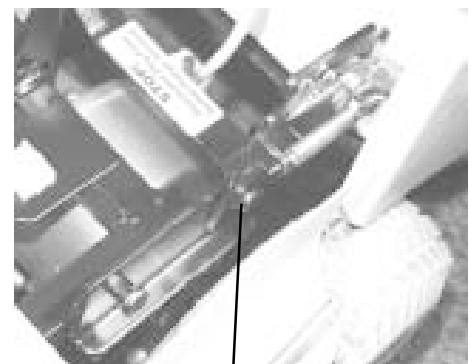


FIGURE 21. LOCKING BRACKETS

X. OPTIONAL ACCESSORIES

OPTIONAL ACCESSORIES

For information concerning these accessories, see your authorized Pride provider or call at (570) 655-5574.



• HEADLIGHT



• TAILLIGHT



• SAFETY FLAG



• CANE/CRUTCH HOLDER



• TILLER BASKET



• CUP HOLDER



• WALKER HOLDER

XI. BASIC TROUBLESHOOTING

Any electromechanical device will occasionally require some troubleshooting. However, most of the problems that may arise can usually be solved with a bit of thought and common sense. Many of these problems occur because the batteries are not fully charged or because the batteries are worn down and can no longer hold a charge.

What if all the systems on my Shuttle seem to be “dead”?

- Make certain that the key is fully inserted in the key switch.
- Check that the batteries are fully charged. See VI. “Batteries and Charging.”
- Push in the reset button to reset the main circuit breaker. See V. “Description.”
- Make certain that both battery harnesses are firmly connected to the electronic controller assembly and to the battery terminals. See IX. “Disassembly and Assembly.”
- Make sure that the front-to-rear harness connector is firmly connected. See IX. “Disassembly and Assembly.”

What if the motor runs but my Shuttle does not move?

- Your Shuttle was probably left in manual freewheel mode.
- When the freewheel lever is pulled up, the brakes are disengaged and all power to the transaxle is cut. Push down the freewheel lever to restore normal operation to your Shuttle. See V. “Description.”

What if the main circuit breaker repeatedly trips? See V. “Description.”

- Charge the Shuttle’s batteries more frequently. See VI. “Batteries and Charging.”
- If the problem continues, have both of your Shuttle’s batteries load tested by your authorized Pride provider.
- Or, battery load testers are available at most automotive parts stores. Follow the directions supplied with the load tester.
- See VI. “Batteries and Charging” or IV. “Specifications” for information about your Shuttle’s battery type.

What if the battery condition meter (see V. “Description”) dips way down and the motor surges or hesitates when I press my Shuttle’s throttle control lever?

- Fully charge your Shuttle’s batteries. See VI. “Batteries and Charging.”
- Have your authorized Pride provider load test each battery.
- Or, see the previous troubleshooting question for load testing the batteries yourself.

If you experience any problems with your Shuttle that you are not able to handle, immediately contact your authorized Pride provider for information, maintenance, and service.

XII. CARE AND MAINTENANCE

Your Shuttle requires a minimal amount of care and maintenance. If you do not feel confident in your ability to perform the maintenance listed below, you may schedule inspection and maintenance at your authorized Pride provider.

The following areas require periodic inspection and/or care and maintenance.

TIRE PRESSURE:

- For optimum scooter performance we recommend that the tire pressure be maintained at 30 psi.



WARNING! Do not exceed that pressure; overinflating a tire can cause it to explode.

TIRE CONDITION AND TREAD WEAR:

Regularly inspect your Shuttle's tires for signs of wear.

- Use a rubber conditioner on your Shuttle's tires to help to preserve them.



WARNING! Do not put rubber conditioner on tread area of tires; the tires may become dangerously slippery.

REMOVABLE FLOOR MAT:

- Your Shuttle's carpet floor mat is held on with reusable fasteners. It can be removed, cleaned, and reinstalled as necessary.

EXTERIOR SURFACES:

- Bumpers and trim also benefit from an occasional application of rubber or vinyl conditioner.
- Do not use a rubber or vinyl conditioner on the Shuttle's floor mat or vinyl seat; they may become dangerously slippery.

TERMINAL CONNECTIONS:

- Make certain that the terminal connections remain tight and uncorroded.
- The batteries must sit flat in the battery wells.
- The battery terminals should face the rear of the Shuttle.

WIRING HARNESES:

- Regularly check all wiring connections.
- Regularly check all wiring insulation, including the charger power cord, for wear or damage.
- Repair or replace any damaged connector, connection, or insulation that you find before using your Shuttle again.

ABS PLASTIC SHROUDS:

- The front console shroud, front shroud, and the rear shroud are formed from durable ABS plastic and coated with an advanced formula urethane paint.
- A light application of car wax helps the shrouds retain their high gloss.

XII. CARE AND MAINTENANCE

AXLE BEARINGS AND THE MOTOR/TRANSAXLE ASSEMBLY:

- These items are all prelubricated, sealed, and require no subsequent lubrication.

TO REPLACE THE MOTOR BRUSHES:

1. Disassemble the Shuttle.
2. Place the rear frame assembly on something that will support it.
3. Remove the four Phillips-head screws from the rear shroud.
4. Use a small right angle screwdriver to unscrew the top motor brush cap. See figure 22.
5. Remove the motor brush.
6. Examine the motor brush. If the brush is worn or damaged, replace both brushes.
7. Reinstall the brush and the motor brush cap.
8. Reinstall the shroud.
9. Turn over the rear frame assembly.
10. Unscrew the other motor brush cap. Inspect and replace as necessary.
11. Reassemble the scooter.

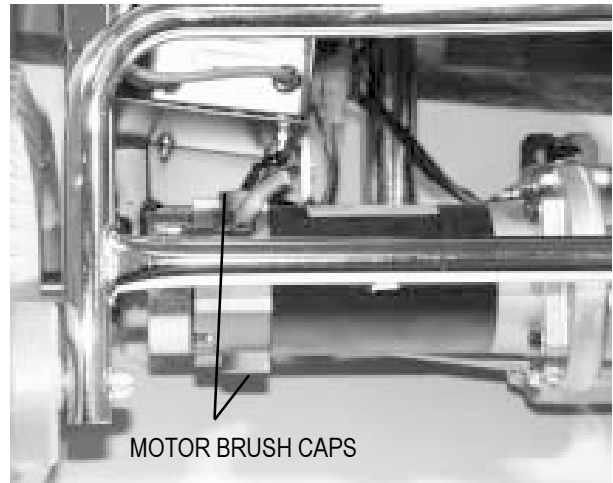


FIGURE 22. MOTOR BRUSH REPLACEMENT

CONSOLE, CHARGER, AND ELECTRONIC CONTROLLER:

- Keep these areas free of moisture.
- If any of these items do become exposed to moisture, let them dry thoroughly before operating your Shuttle again.

STORAGE:

See VI. “Batteries and Charging,” and refer to “How should I store my Shuttle and its batteries?”

XIII. WARRANTY

THREE-YEAR LIMITED WARRANTY

Structural frame components; including platform, fork, seat post, and frame.

Drive train; including transaxle, motor, and brake.

First year: 100% replacement of parts cost

Second year: 67% replacement of parts cost

Third year: 50% replacement of parts cost

THREE-YEAR WARRANTY EXCEPTIONS

Transaxle: In cases where there is an increase in the operational noise level, the warranty will not apply. (The increase in operational noise level usually occurs due to abusive and excessive strain on the scooter.)

Motor: If damage occurs to the motor commutator as a result of not replacing the motor brushes after heavy wear to the brushes. Motor brushes are wear items and are not warranted.

Motor brake: Three-year warranty for the electrical function of the motor brake. Brake pads are a wear item and are not warranted.

ONE YEAR LIMITED WARRANTY

For one year from the date of purchase, Pride will repair or replace, at our option, to the original purchaser, free of charge, any part found upon examination by an authorized representative of Pride to be defective in material and/or workmanship.

The battery is warranted by the battery manufacturer. The battery is not warranted by Pride.

Warranty service can be performed by a provider authorized by Pride or by Pride. Do not return faulty parts to Pride without prior consent. All transportation costs and shipping damage incurred while submitting parts for repair or replacement are the responsibility of the original purchaser.

WARRANTY EXCLUSIONS

- ABS plastic shrouds and footrest covers (wear items and not warranted)
- Batteries (the battery manufacturer provides a six-month limited warranty)
- Tires and tire tubes (wear items and not warranted)
- Upholstery and seating (wear items and not warranted)
- Repairs and/or modifications made to any part of the scooter without specific and prior consent from Pride.
- Circumstances beyond the control of Pride.
- Damage caused by:
 - ✓ Battery fluid spillage or leakage.
 - ✓ Abuse, misuse, accident, or negligence.
 - ✓ Improper operation, maintenance, or storage.
 - ✓ Commercial use or use other than normal.
- Labor, service calls, shipping, and other charges incurred for repair of the product.

XIII. WARRANTY

There is no other express warranty.

Implied warranties, including those of merchantability and fitness for a particular purpose, are limited to one (1) year from the date of original purchase and to the extent permitted by law. Any and all implied warranties are excluded. This is the exclusive remedy. Liabilities for consequential damages under any and all warranties are excluded.

Some states do not allow limitations on how long an implied warranty lasts or do not allow the exclusion of limitation of incidental or consequential damages. So, the above limitation or exclusion may not apply to you.

The warranty gives you specific rights, and you may also have other rights, which vary from state to state.

Please fill out the warranty card and mail it to Pride. Doing so aids Pride in providing you with the best possible technical and customer service.

NOTES

NOTES