

Precor Handrail Option Kit

Fits Precor C944, C942, C940, M9.45, M9.41s Treadmills

Thank you for purchasing the Precor Handrail Option Kit. Each kit comes complete with all the hardware required to install a handrail on one side of the treadmill. If you wish handrails on both sides of the treadmill, you must order two (2) option kits. When you receive the Handrail Option kit, check its contents with the list below:

Note: If you purchase both handrails, check the contents of both kits with the list below:

Handrail Option Kit Contents

- One handrail
- One upper end clamp
- One upper center clamp
- Three large bolts (two 5/16 - 18 x 2.5 and one 1/4 - 20 x 2.5)
- One star washer
- One nut plate
- One lower clamp
- One 5/32" hex key
- One 3/16" hex key

Note: To assemble the handrail(s), you will need a Phillips head screwdriver.

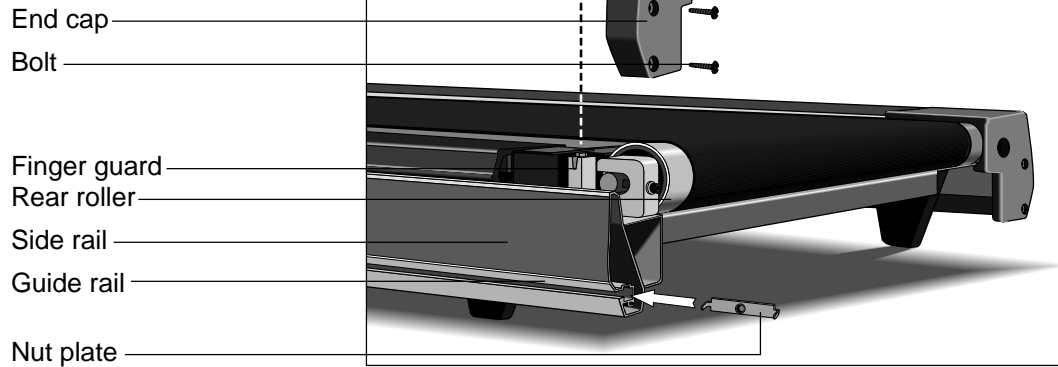
ASSEMBLY INSTRUCTIONS

The assembly of each handrail is the same on opposite sides of the treadmill. To properly install the handrail(s) on your unit, take the following steps:

CAUTION: Turn OFF the unit and unplug it from the power source before installing the handrail(s).

Diagram 1

Installing the nut plate into the guide rail.



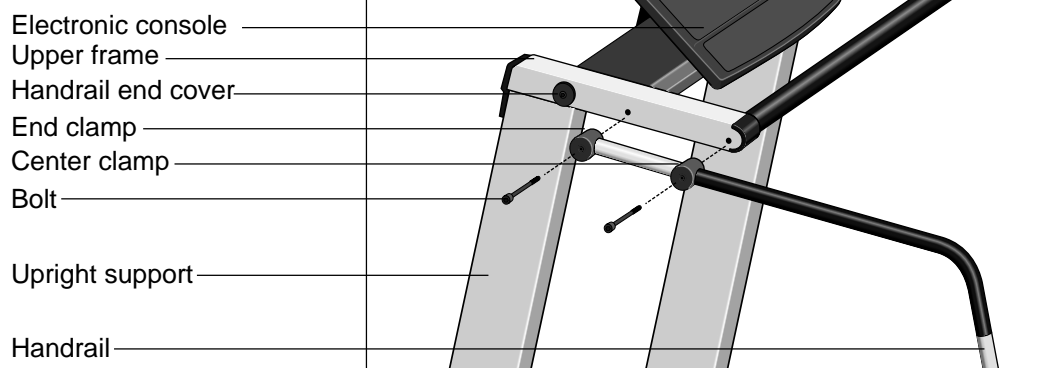
1. To properly mount the lower handrail clamp, you need to install a nut plate into the guide rail. Remove the end cap from the rear of the treadmill using a Phillips head screwdriver. See Diagram 1.

Important: If you are installing both handrail options, avoid misalignment of the finger guard by sliding the nut plate into position on one side of the treadmill and replace the end cap before removing the other end cap.

2. With the nut plate installed and the end cap replaced, move to the front of the treadmill.

Diagram 2

Attaching the front section of the handrail.



3. Locate the end covers on the upper handrails. See Diagram 2. Using the 3/16" hex key remove the two rear handrail end covers (the "covers" are large black washers). Discard the covers and the bolts. Replacement bolts and clamps are in this option package.

Important: If you are installing both handrail options, install a handrail on one side before proceeding to the other side of the treadmill. Attach the front portion of the handrail first. This helps you determine where to position the lower handrail clamp.

4. Place the center clamp on the front portion of the handrail, followed by an end clamp. See Diagram 2. Align the two clamps with the handrail mounts on the upper frame.
5. Insert a bolt through each clamp. See Diagram 2. Using the supplied 3/16" hex key, screw each bolt through the handrail until the clamp is snug against the upright support. Do not fully tighten the bolts until you have installed the lower end of the handrail.

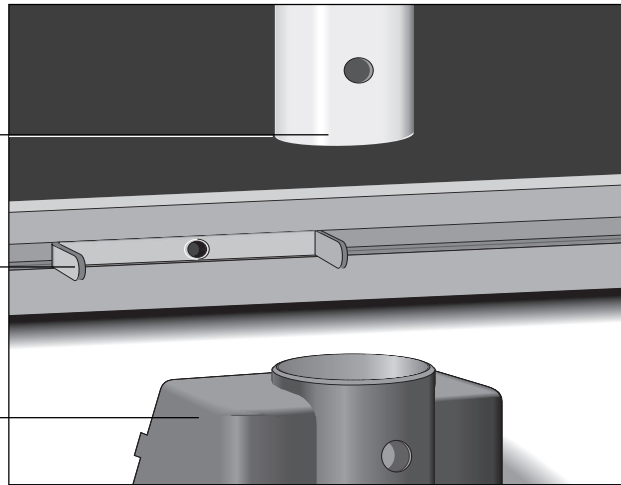
Diagram 3

Attaching the lower handrail and handrail clamp.

Handrail

Nut plate

Lower handrail clamp



6. To mount the lower portion of the handrail, locate the lower handrail clamp, star washer, and lower handrail clamp bolt. Refer to Diagram 3 while taking the following steps:

Note: If you are installing both handrail options, perform the following steps on one side of the treadmill before proceeding to the other side.

- a. Slide the handrail nut plate along its guide rail until the hole in the nut plate is aligned with the handrail mounting hole.
- b. Put one star washer on the lower handrail clamp bolt. For ease of assembly, set the bolt on the floor near the nut plate.
- c. Place the lower portion of the handrail into the clamp and align the bolt hole.
- d. Pick up the bolt set aside in step 6b. and insert the bolt through the lower handrail clamp and handrail mounting hole.
- e. Guide the lower handrail clamp onto the nut plate. Slide the clamp and nut plate along the guide rail to find the equilibrium point.

C O M M E R C I A L P R O D U C T S D I V I S I O N

- f. To secure the handrail inside the clamp, use the 5/32" hex key provided. Do not overtighten the bolt or damage may occur to the clamp.

Note: After extensive use, vibrations from the treadmill may cause the bolts to loosen. You may need to periodically inspect the bolts and, if necessary, tighten both the upper and lower handrail clamp bolts using the hex keys provided.

- g. Return to the upper handrail clamps and securely tighten the bolts using the 3/16" hex key.

Note: If you are installing both handrails, repeat assembly steps 1 through 6 to attach the handrail to the other side of the treadmill.