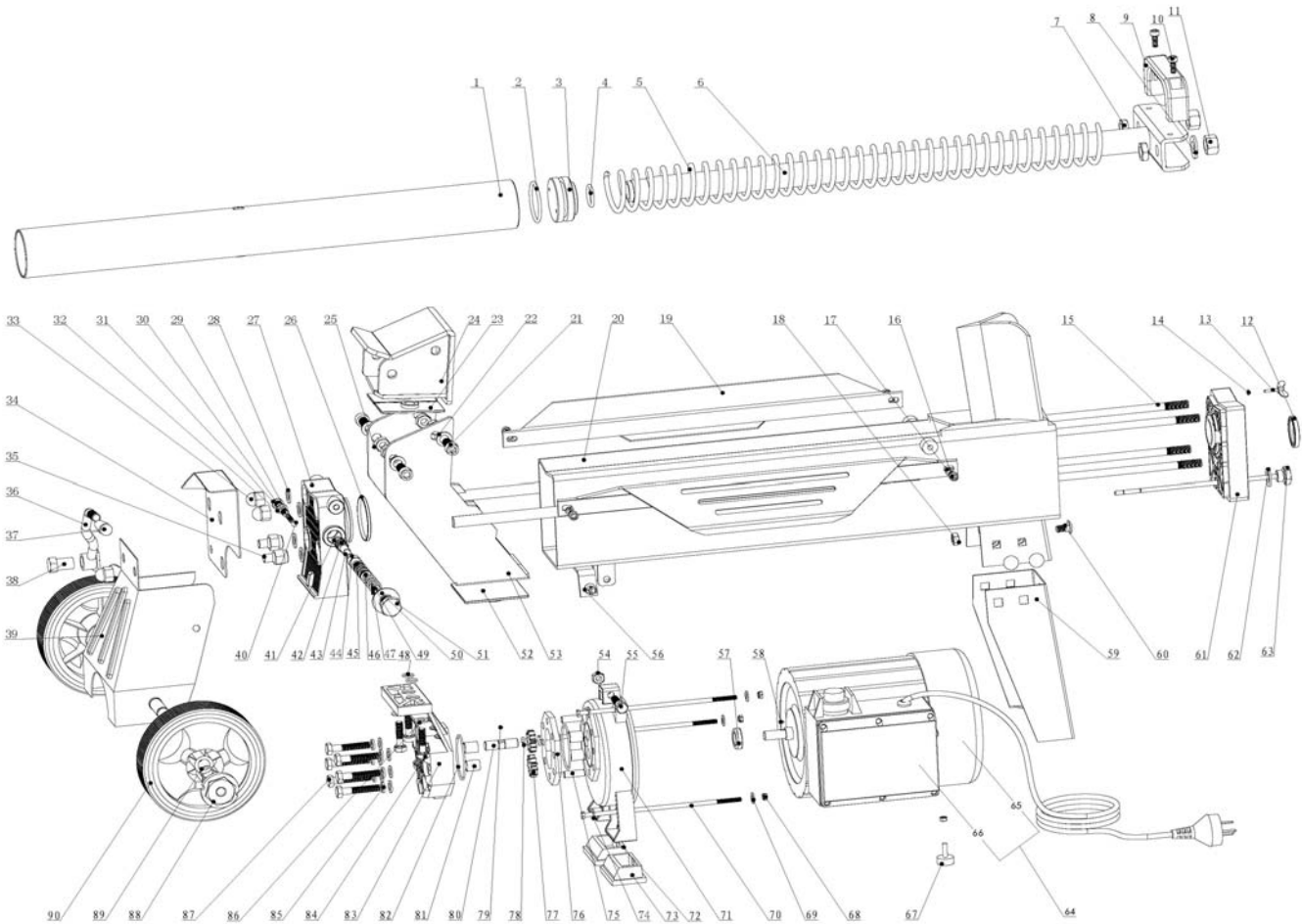




SERVICE SPARE PARTS LIST

SPECIFY MODEL NO. WHEN ORDERING PARTS		REVISED DATE	
4 TON LOG SPLITTER		8/7/2008	REVISED DATE
MODEL NO.	FB4052 (65556)		N/A



TIYA model #65556**JF model # FB4052****PARTS LIST**

6/1/2009

TIYA No.	JF Parts No.	Description	Q	P Code
1	7200-405201	CYLINDER	1	210
2	7200-405202	PISTON O-RING	1	210
3	7200-405203	PISTON	1	210
4	7200-405204	O-RING	1	210
5	7200-405205	SPRING	1	210
6	7200-405206	POSITON ROD WELDMENT	1	210
7	7200-405207	NUT	2	210
8	7200-405208	WASHER	2	210
9	7200-405209	MOVING HANDLE	1	210
10	7200-405210	HEX. BOLT	2	210
11	7200-405211	NUT, M14	2	210
12	7200-405212	PLASTIC SEAL	1	210
13	7200-405213	WING SCREW/ BLEED SCREW	1	210
14	7200-405214	O-RING	1	210
15	7200-405215	LONG STUB	4	210
16	7200-405216	HEX. BOLT	6	210
17	7200-405217	SPRING WASHER	4	210
18	7200-405218	NUT	5	210
19	7200-405219	SUPPORT PLATE	2	210
20	7200-405220	TUBE FRAME/ OIL TANK	1	210
21	7200-405221	HEX. BOLT	4	210
22	7200-405222	WASHER	4	210
23	7200-405223	UPPER PLASTIC INSERT	1	210
24	7200-405224	LOG PUSHER WELDMENT	1	210
25	7200-405225	NUT	4	210
26	7200-405226	O-RING	1	210
27	7200-405227	CYLINDER COVER-LEFT	1	210
28	7200-405228	COPPER GASKET	4	210
29	7200-405229	SAFETY VALVE SPRING	1	210

30	7200-405230	SCREW	1	210
31	7200-405231	SAFETY VALVE BOLT	1	210
32	7200-405232	O-RING	1	210
33	7200-405233	ROUND HEAD NUT	3	210
34	7200-405234	LEVER GUARD	1	210
35	7200-405235	NUT	2	210
36	7200-405236	LEVER WELDMENT	1	210
37	7200-405237	LEVER HEAD	1	210
38	7200-405238	LEVER NUT	1	210
39	7200-405239	WHEEL FRAME PLATE WELDMENT	1	210
40	7200-405240	STEEL BALL	1	210
41	7200-405241	CIRCLIP	1	210
42	7200-405242	RESTORE VALVE SPRING	1	210
43	7200-405243	VALVE ROD	1	210
44	7200-405244	O-RING	1	210
45	7200-405245	VALVE SLEEVE	1	210
46	7200-405246	O-RING	5	210
47	7200-405247	O-RING	2	210
48	7200-405248	SLIDING SLEEVE SPRING	1	210
49	7200-405249	SLIDING SLEEVE	1	210
50	7200-405250	WASHER	1	210
51	7200-405251	VALVE PLUG	1	210
52	7200-405252	LOWER PLASTIC INSERT	1	210
53	7200-405253	DRAWING WELDMENT	1	210
54	7200-405254	LOOSE NUT	1	210
55	7200-405255	HEX. BOLT	1	210
56	7200-405256	WASHER	2	210
57	7200-405257	MOTOR SHAFT SEAL	1	210
58	7200-405258	SETEEL BALL, 2.5	1	210
59	7200-405259	SUPPORT LEG	1	210
60	7200-405260	CARRIAGE	5	210
61	7200-405261	CYLINDER COVER-RIGHT	1	210
62	7200-405262	DIPSTICK GASKET	1	210
63	7200-405263	DIPSTICK	1	210

64	7200-405264	MOTOR WITH SWITCH	1	210
65	7200-405265	MOTOR	1	210
66	7200-405266	SWITCH BOX	1	210
67	7200-405267	BOLT	1	210
68	7200-405268	NUT	1	210
69	7200-405269	SPRING WASHER	3	210
70	7200-405270	BOLT	3	210
71	7200-405271	MOTOR COVER	1	210
72	7200-405272	MOTOR SUPPORT SHOE - LEFT	1	210
73	7200-405273	MOTOR SUPPORT SHOE - RIGHT	1	210
74	7200-405274	WASHER	9	210
75	7200-405275	PIN	2	210
76	7200-405276	GEAR HOUSING PLATE	1	210
77	7200-405277	GEAR	2	210
78	7200-405278	GEAR GEAR SHAFT SNAP WASHER	2	210
79	7200-405279	PIN	1	210
80	7200-405280	GEAR SHAFT	1	210
81	7200-405281	SLIDING BEARING	4	210
82	7200-405282	O-RING	2	210
83	7200-405283	PUMP COVER	1	210
84	7200-405284	BOLT	3	210
85	7200-405285	SPRING WASHER	9	210
86	7200-405286	WAHSER	9	210
87	7200-405287	BOLT	6	210
88	7200-405288	WHEEL COVER	2	210
89	7200-405289	WHEEL SHAFT SNAP RING	2	210
90	7200-405290	WHEEL	2	210