

Please Read and Save this Use and Care Book

Por favor lea este instructivo antes de usar el producto

 **BLACK & DECKER®**

SPACE MAKER™

12-CUP PROGRAMMABLE

**UNDER-THE-CABINET
COFFEEMAKER**

**CAFETERA PROGRAMABLE
DE 12 TAZAS**

PARA INSTALAR DEBAJO DEL GABINETE



Register your product online at www.prodprotect.com/applica, for a chance to WIN \$100,000!
For US residents only

Registre su producto por Internet en www.prodprotect.com/applica y tendrá la oportunidad de GANAR \$100,000!
Solamente para residentes de EE.UU



USA/Canada 1-800-231-9786
www.prodprotect.com/applica

Accessories/Parts (USA/Canada)
Accesorios/Partes (EE.UU./Canadá)
1-800-738-0245

**Models
Modelos**

- SDC740**
- SDC740B**
- SDC750**

IMPORTANT SAFEGUARDS

When using electrical appliances, basic safety precautions should always be followed, including the following:

- Read all instructions.
- Do not touch hot surfaces. Use handles or knobs.
- To protect against fire, electric shock and injury to persons do not immerse cord, plugs or appliance in water or other liquid.
- Close supervision is necessary when any appliance is used by or near children.
- Unplug from outlet when not in use and before cleaning. Allow to cool before putting on or taking off parts, and before cleaning the appliance.
- Do not operate any appliance with a damaged cord or plug, or after the appliance malfunctions or has been damaged in any manner. Return appliance to the nearest authorized service facility for examination, repair or adjustment. Or, call the appropriate toll-free number on the cover of this manual.
- The use of accessory attachments not recommended by the appliance manufacturer may result in fire, electric shock or injury to persons.
- Do not use outdoors.
- Do not let cord hang over edge of table or counter, or touch hot surfaces.
- Do not place on or near a hot gas or electric burner, or in a heated oven.
- To disconnect, turn any control to OFF, then remove plug from wall outlet.
- Do not use this appliance for other than intended use.
- Keep lid on the carafe when in use.
- Scalding may occur if the lid is removed during the brewing cycles.
- To reduce the risk of fire, do not place any heating or cooking appliance beneath the appliance.
- To reduce the risk of fire, do not mount unit over or near any portion of a heating or cooking appliance.
- To reduce the risk of electric shock, do not mount over a sink.
- To reduce the risk of fire, do not store anything directly on top of the appliance surface when the appliance is in operation.

- This carafe is designed for use with this appliance. It must never be used on a range top.
- Do not set a hot carafe on a cold or wet surface.
- Do not use a cracked carafe or a carafe having a loose or weakened handle.
- Do not clean carafe with cleansers, steel wool pads, or other abrasive material.

SAVE THESE INSTRUCTIONS.

This product is for household use only.

GROUNDING PLUG

As a safety feature, this product is equipped with a grounded plug, which will only fit into a three-prong outlet. Do not attempt to defeat this safety feature. Improper connection of the grounding conductor may result in the risk of electric shock. Consult a qualified electrician if you are in doubt as to whether the outlet is properly grounded.

TAMPER-RESISTANT SCREW

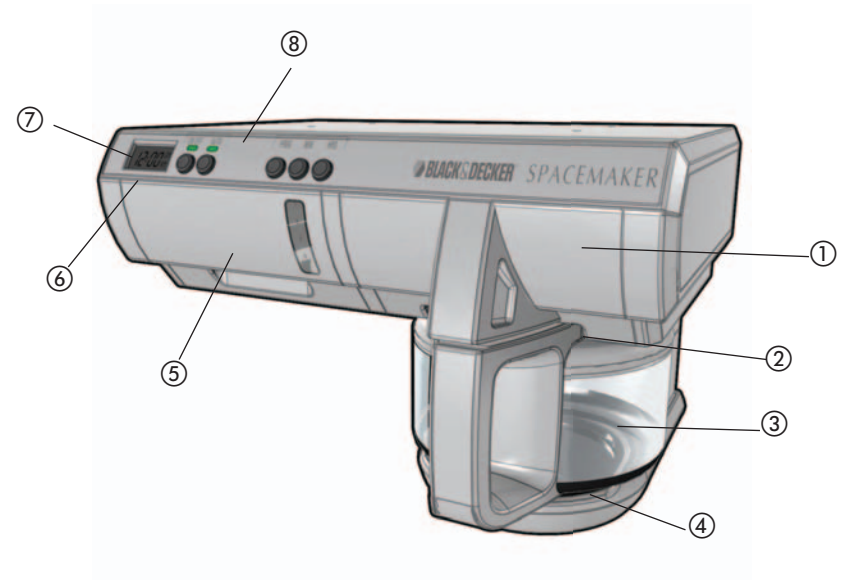
Warning: This appliance is equipped with a tamper-resistant screw to prevent removal of the outer cover. To reduce the risk of fire or electric shock, do not attempt to remove the outer cover. There are no user-serviceable parts inside. Repair should be done only by authorized service personnel.

ELECTRICAL CORD

- a) A short power-supply cord (or detachable power-supply cord) is to be provided to reduce the risk resulting from becoming entangled in or tripping over a longer cord.
- b) Longer detachable power-supply cords or extension cords are available and may be used if care is exercised in their use.
- c) If a long detachable power-supply cord or extension cord is used,
 - 1) The marked electrical rating of the detachable power-supply cord or extension cord should be at least as great as the electrical rating of the appliance,
 - 2) If the appliance is of the grounded type, the extension cord should be a grounding-type 3-wire cord, and
 - 3) The longer cord should be arranged so that it will not drape over the countertop or tabletop where it can be pulled on by children or tripped over.

Note: If the power supply cord is damaged, it should be replaced by qualified personnel. In Latin America, by an authorized service center.

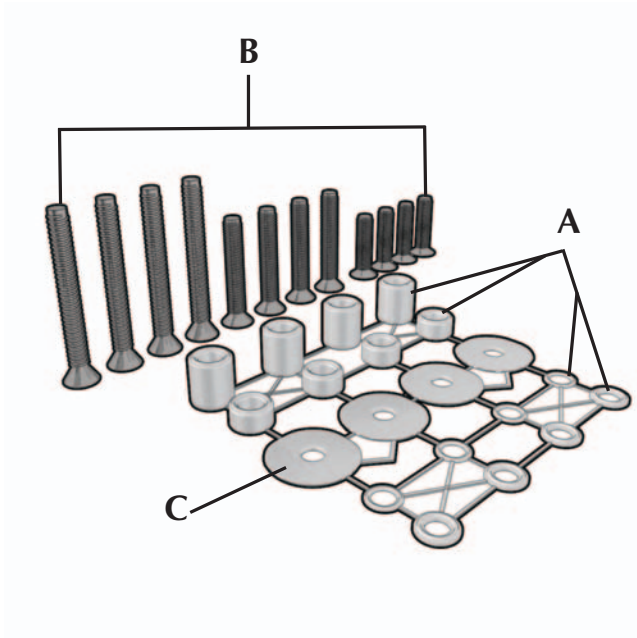
Product may vary slightly from what is illustrated.



A1

1. Brew basket (Part # SDC001) white, (Part # SDC002) black
2. Sneak-A-Cup® interrupt feature
- † 3. Glass carafe with lid
(Part # SDC004) white, (Part # SDC005) black
4. "Keep Hot" carafe plate
- † 5. Illuminated water reservoir with water-level markings
(Part # SDC007) white, (Part # SDC008) black
6. Reservoir lid (not shown)
7. Digital display
8. Control panel
9. Cord management hook (not shown)
10. Plug receptacle (not shown)
- †11. Mounting kit (Part # SDC009-01) white, (Part # SDC009-02) black
Mounting bracket (Part # SDC010) white, (Part # SDC011) black (not shown)

Note: † indicates consumer replaceable/removable parts



A2

† 1. Mounting Parts
(Part # SDC-MOUNTING KIT)

A. 16 Spacers

- 4 1/2"
- 4 1/4"
- 4 3/16"
- 4 1/16"

B. 12 Screws

- 4 1"
- 4 1 1/2"
- 4 2 1/4"

C. 4 Washers

2. Mounting Template (in box)

You will also need:

- Tape
- Ruler (or you may cut out the ruler provided on the template)
- Electric drill with a 1/4" drill bit

GETTING STARTED

- Remove all packing material, labels and any stickers.
- Remove and save literature.
- Unpack mounting parts and set them aside in a safe place where they will not roll away or get lost.

Important: Do not attempt to operate appliance until it is properly installed.

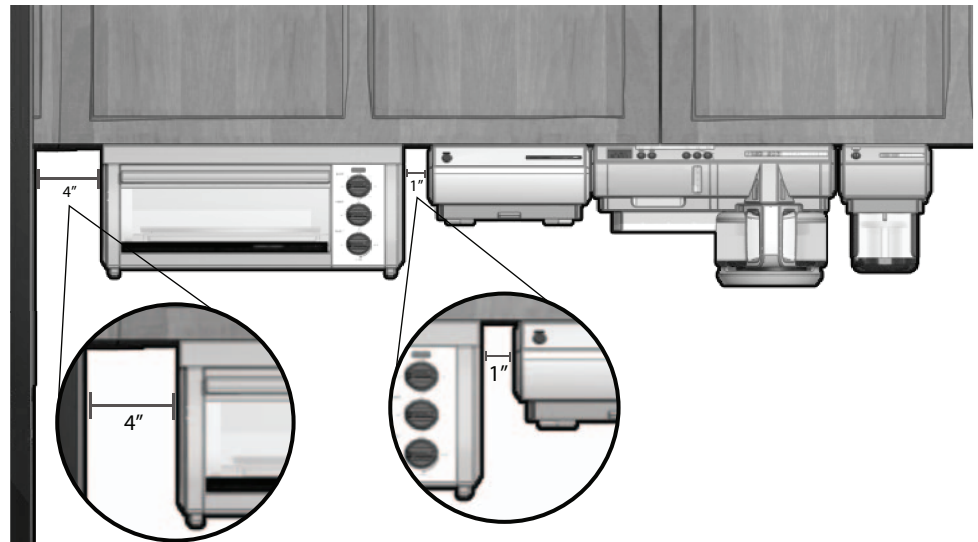
CHOOSE A LOCATION

When choosing your location, consider the following:

- **DO** make sure to mount within reach of an electrical outlet.
- **DO** consider your normal work patterns in the kitchen when choosing location.
- **DO NOT** mount over any heating or cooking appliance such as your range or oven.
- **DO NOT** mount over or near a sink.
- **DO NOT** mount under, in front of or behind any under-cabinet light fixtures.

Note: If mounting multiple †SpaceMaker™ appliances and you are installing your appliance next to the SpaceMaker™ oven (**Fig. A.3**):

- Allow at least 1" between the control panel side of the oven and the appliance.
- Allow at least 4" between the side opposite the control panel of your oven and adjacent wall or other appliance. You can mount the other appliances flush to one another.



A.3

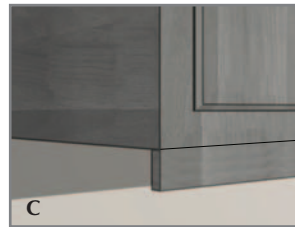
Caution: This appliance features a Save-A-Plug™ outlet receptacle to connect smaller †SpaceMaker™ appliances such as the mini food processor / grinder or can opener. Do not use this outlet for any other appliance!

Caution: When selecting a location for your coffeemaker, make sure you have adequate room to reach the receptacle.

Note: If you are connecting another †SpaceMaker™ appliance into the Save-A-Plug™ outlet, make sure you can easily unplug the appliance after each use.

DETERMINE CABINET TYPE

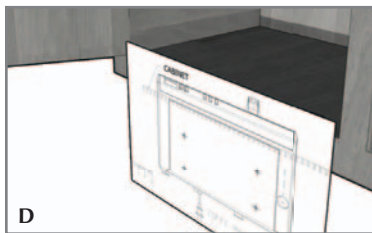
Prior to installation, determine if your cabinet has a flat bottom (B) or an overhanging molding (C). If your cabinet is flat, follow STANDARD INSTALLATION; if the cabinet has an overhang molding, refer to OVERHANG MOLDING INSTALLATION.



STANDARD INSTALLATION (FLAT CABINET)

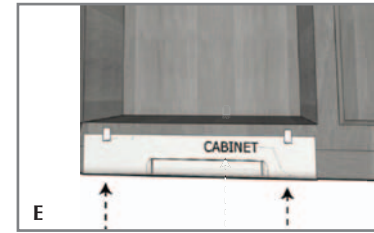
Important: Always wear protective glasses or goggles to prevent injury when drilling.

1. Clear countertop under installation area to avoid getting dust or debris on other appliances or items. Open cabinets and remove contents to make mounting easier.
2. Clean both the underside and topside of the bottom panel of the cabinet.
3. With cabinet doors open, place mounting template flush against the surface of the underside of your cabinet, making sure to align thick line on template with bottom front edge of your cabinet (D).



Important: Do not align screw holes on template directly under the partition between cabinets, as this will prevent you from installing the appliance properly. Pay close attention to where the drill holes will be set so as not to damage your cabinets during mounting. Drilling through your cabinet's partition may cause damage to cabinets and prevent proper installation.

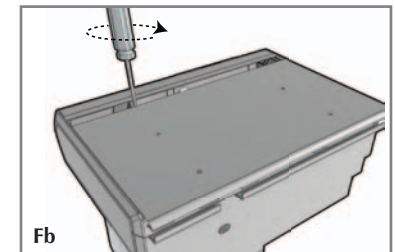
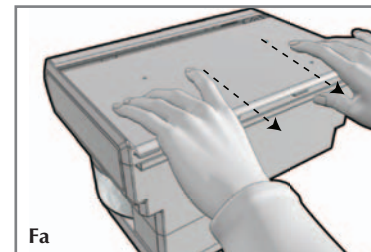
4. Fold the template along the edge of your cabinet so the thick line is straight with bottom front edge; pull template tight and tape down to hold in place.
5. Drilling from under the cabinet up, drill holes through the 4 places marked on the template, using a 1/4-inch drill bit (E).



Important: Always ensure you are drilling straight up through the marked mounting hole on the template. Drilling at an angle may prevent proper installation and may damage cabinets if the drill bit pierces the partition.

6. Once holes are drilled, remove tape and mounting template.
7. Wipe dust and debris off the topside and underside of the cabinet surface.
8. Place a washer inside the cabinet over each of the 4 holes you drilled.

Important: Top panel of coffeemaker is removable to make installation easier. Simply grip the panel at the rear and pull back to remove (Fa) or insert a flathead screwdriver at the front of the panel by one of the mounting holes and twist to pop open (Fb). Once removed, mount panel in place following the directions below and then slide coffeemaker back on the panel track to reattach appliance once the panel has been mounted.

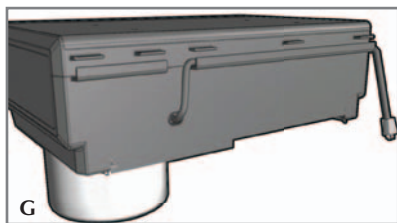


9. Hold panel in place; drilled holes on cabinet should be aligned with mounting holes on the panel.
10. From inside of the cabinet down into panel holes, drop 4 screws in place. Place a nut on each screw and tighten.

Note: To determine which screws to use, you must have enough of the screw exposed underneath the cabinet to properly thread the screw into the nut.

Note: Always tighten nuts to ensure the appliance does not move or shake during operation.

- Once the panel is secure, reattach coffeemaker to panel by lifting appliance up, aligning it with the track on the panel and then sliding it back into place.
- Plug into standard electrical outlet. Extra cord can be hung over cord management hook behind unit (G).



Caution: This appliance features a Save-A-Plug™ outlet receptacle to connect smaller †SpaceMaker™ appliances such as the mini food processor / grinder or can opener. Do not use this outlet for any other appliance!

Note: If you are connecting another †SpaceMaker™ appliance into the Save-A-Plug™ outlet, make sure you can easily unplug the appliance after each use.

13. Your †SpaceMaker™ appliance is now ready for use!

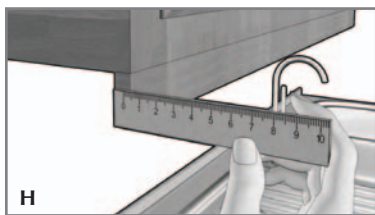
OVERHANG MOLDING INSTALLATION

For cabinets with an overhang molding (see Illustration C)

Important: Always wear protective glasses or goggles to prevent injury when drilling.

Note: Spacers are provided in case your cabinet has an overhang molding at the front edge. Only use spacers on the rear screws of the appliance to ensure it is level with the front.

- Clear countertop under installation area to avoid getting on other appliances or items. Open cabinets and remove contents to make mounting easier.
- Clean both the underside and topside of the bottom panel of the cabinet.
- Using a ruler, measure the thickness of the overhang molding (H), accurately noting the number for use in the following step.



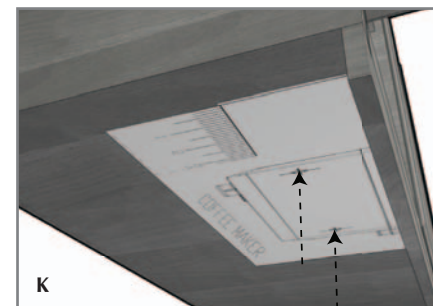
Note: If you do not have a ruler, you may use the paper ruler provided on the edge of your mounting template.

- After measuring the overhang molding thickness as shown in **Illustration H**, look at the dashed lines on the mounting template; each line has a measurement next to it that indicates the thickness of the overhang molding used with that line. For example, if your cabinet has an overhang molding thickness of 1/2", you will use the 1/2" dashed line on the template.
- Fold the template along the dashed line that matches the thickness of your overhang molding.
- Place the folded template against the back edge of the overhang molding, making sure the side with the drill hole marks is facing down (J).



Important: Do not align screw holes on template directly under the partition between cabinets, as this will prevent you from installing the appliance properly. Pay close attention to where the drill holes will be set so as not to damage your cabinets during mounting. Drilling through your cabinet's partition may cause damage to cabinets and prevent proper installation.

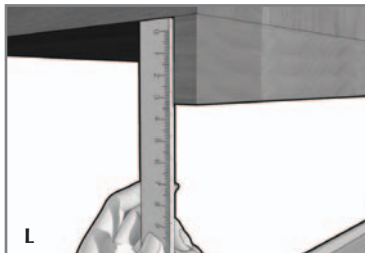
- Making sure to keep the fold line straight against the back edge of the overhang molding, tape the template securely in place.
- Drilling from under the cabinet up, drill holes through the 4 places marked on the template using a 1/4-inch drill bit (K).



Important: Always ensure you are drilling straight up through the marked mounting hole on the template. Drilling at an angle may prevent proper installation and may damage cabinets if the drill bit pierces the partition.

- Once holes are drilled, remove tape and mounting template.
- Wipe dust and debris off underside and topside of cabinet surface.

11. Place a washer inside the cabinet over each of the 4 holes you drilled.
12. Now, use your ruler or the paper ruler provided to measure the overhang molding height, placing your ruler vertically against the underside of the cabinet behind the overhang molding. This number determines the number of spacers you need, using a number of spacers equal to the overhang molding height. For example, a 1" overhang molding would use 2, 1/2" spacers on each of the rear holes (L).



13. Drop one of your screws through each of the washers covering the holes in the cabinet, from inside the cabinet down.

Note: To determine which screws to use, you must have enough of the screw exposed underneath the cabinet to properly thread the screw into the nut.

14. Place the appropriate number of spacers determined in step 12 on both of the rear screws so the appliance will be even (M).



Note: If the height of your overhang molding is too tall to be accommodated by the number of spacers provided, you may call, toll-free, at 1-800-231-9786 to order additional spacers at no charge.

Note: For spacer installation, you may require assistance (in mounting) in order to hold spacers in place while securing the appliance at the same time. If assistance is not available, use a small clamp to hold the spacers in place while you position the appliance.

Important: Top panel of coffeemaker is removable to make installation easier. Simply grip the panel at the rear and pull back to remove (see Illustration Fa) or insert a flathead screwdriver at the front of the panel by one of the mounting holes and twist to pop open (see Illustration Fb). Once removed, mount in place following the directions below and then slide coffeemaker back on the panel track to reattach appliance once the panel has been mounted.

15. Once spacers are set, hold panel up and tighten nuts onto each of the screws to secure.

Note: Always tighten nuts to ensure the appliance does not move or shake during operation.

16. Once the panel is secure, reattach coffeemaker to panel by lifting appliance up, aligning it with the track on the panel and then sliding it back into place.
17. Plug into standard electrical outlet. Extra cord can be hung over cord management hook behind unit (see Illustration G).

Caution: This appliance features a Save-A-Plug™ outlet receptacle to connect smaller †SpaceMaker™ appliances such as the mini food processor / grinder or can opener. Do not use this outlet for any other appliance!

Note: If you are connecting another †SpaceMaker™ appliance into the Save-A-Plug™ outlet, make sure you can easily unplug the appliance after each use.

18. Your †SpaceMaker™ appliance is now ready for use!

How to Use

This appliance is for household use only.

BEFORE FIRST USE

Note: Time display will flash when you plug in your coffeemaker. You may set clock before, during or after brewing. (See SETTING THE CLOCK/TIMER.) You do not need to set clock before manual brewing. It is only absolutely necessary to set the clock if you are using the auto brew function.

- Grasp the integrated handle on the water reservoir and pull out from coffeemaker; remove lid to make filling easier. Fill carafe with 6 cups of fresh water and fill reservoir. Replace water reservoir with lid and carafe.
- Brew through the system, using an 8 – 12 cup basket-style paper filter as instructed in BREWING COFFEE. Do not add coffee grounds for this initial brewing, as this is simply to clean the interior of the unit and remove any dust or residue left from the manufacturing process.
- Once water has brewed through, press ON/OFF button.
- Clean water reservoir, brew basket, carafe and lid. (See CARE AND CLEANING.)

BREWING COFFEE

1. Grasp handle and pull to remove the brew basket. Place an 8 – 12 cup basket-style paper filter inside basket and add coffee grounds (usually one heaping tablespoon for every cup – adjust to taste). Replace brew basket.
2. Grasping integrated handle, pull out water reservoir. Fill carafe with cold water to desired water level and pour into reservoir; the lid of the reservoir may be removed to make pouring easier. Replace water reservoir with lid, making sure it snaps in place.

Caution: Do not overfill water reservoir.

3. Replace empty carafe, making sure it is "seated" properly so that it fits against the lever at the back.

Important: If carafe is not placed against the safety lever at the back of the unit, your coffeemaker will not operate properly.

4. Press ON/OFF button. "ON" appears in the display and LED light above the button will illuminate as brewing begins.
5. After brewing is complete, brewed coffee will be kept warm on the "Keep Hot" carafe plate for up to 2 hours.

Note: Your coffeemaker features a 2-hour auto shutoff. Your coffeemaker will maintain the coffee's temperature for up to 2 hours before shutting off automatically.

6. Once coffee grounds have cooled, carefully remove brew basket and discard paper filter with grounds. Replace brew basket.
7. Coffeemaker can be turned off at any time by pressing the ON/OFF button.

SNEAK-A-CUP® INTERRUPT FEATURE

The Sneak-A-Cup® Interrupt Feature lets you pour a cup of coffee before brewing is complete. When the carafe is removed, the coffee flow will be paused for 20 seconds. After 20 seconds, the drip flow will start again.

Important: Carafe must be replaced in less than 20 seconds to prevent water from overflowing the brew basket.

Caution: Do not pull out brew basket when using this feature, as it is filled with hot coffee.

SETTING THE CLOCK/TIMER

You may set the clock before, during or after the brewing cycle.

To set current time: Press the HOUR, then MIN buttons until you reach the current time. Hold down buttons to advance quickly.

SETTING THE AUTO BREW FUNCTION

1. Follow steps 1 – 3 in BREWING COFFEE.
2. Make sure clock is set properly to present time (as instructed in SETTING THE CLOCK/TIMER).
3. Set auto-on time: Press the PROG button. (PROGRAM will flash on the display, indicating auto brew time is being set.)
4. Press HOUR and MIN buttons until you reach your desired preset brew time.
5. After a few seconds, display will return to real time, indicating the PROG time has been set.

Note: To check preset auto-on time at any time, press PROG and preset time will display for a few seconds as "PROGRAM" flashes on the display. When it stops flashing, the display will automatically return to real time.

6. Press AUTO button; the preset program time will flash twice in the display to remind you of the time you set. The word "AUTO" will appear and the LED light above the AUTO button will illuminate; these will remain until brewing begins at preset auto-on time. At that time, "AUTO" will go out as "ON" appears in the display and the LED light of AUTO will go out as the light over the ON/OFF button illuminates.
7. To cancel auto brew, press ON/OFF button.



COFFEE BREWING TIPS

- Always use fresh, good water when making your coffee. Since coffee is 98% water, the quality of the water is extremely important to the taste of the coffee made with it.
- Stir coffee in carafe before serving to evenly distribute the flavor.
- Coffee that is poured during brewing cycle may vary in strength from the finished brew.
- Not sure how much coffee to use? Begin by using 1 level scoop of medium grind coffee for each cup of coffee to be brewed.
- Never reuse coffee filters; they absorb flavors from the brewed coffee and will give the newly brewed coffee a stale flavor. They may also tear and allow grinds to drip into the newly brewed coffee.
- If filled carafe is left on the "Keep Hot" plate, be sure to remove the coffee grounds from the brew basket as soon as they have cooled slightly. This will keep the coffee from developing a bitter taste.

- For a special occasion, whip some heavy cream with 1 or 2 tablespoons of hazelnut, chocolate or almond liqueur. Use to top off each cup of coffee.
- Add a 2-inch piece of vanilla bean to the sugar bowl to add a distinctive flavor to your coffee. You'll be surprised at how good it tastes.
- Keep your coffeemaker very clean; you'll be pleased with the flavor.
- For iced coffee, brew the coffee with twice the normal amount of grounds, as ice dilutes the coffee flavor. You may also make coffee ice cubes from left over coffee and brew your coffee at its normal strength.
- Remember when pouring hot liquid into a glass, always put a spoon in the glass before adding the hot liquid.
- Rinse both the carafe and the brew basket with warm water immediately after each use to maintain good coffee flavor.

Care and Cleaning

This product contains no user serviceable parts. Refer service to qualified service personnel.

Caution: Do not expose the control panel to water. Water may cause permanent damage and make the coffeemaker inoperable.

1. Make sure the unit is unplugged and cooled before cleaning.
2. Remove brew basket by grasping the integrated handle and pulling out.
3. Discard the paper filter with the grounds.
4. Clean parts as follows:
 - Brew basket and carafe are top-rack dishwasher-safe; or they may be hand washed in warm, sudsy water.
 - Wipe the exterior and "Keep Hot" carafe plate with a soft damp cloth. Do not use abrasive cleansers or scouring pads.

TREAT CARAFE WITH CARE

A damaged carafe may result in possible burns from a hot liquid. To avoid breaking:

- Do not allow all liquid to evaporate from the carafe while on the "Keep Hot" carafe plate or heat the carafe when empty.
- Discard the carafe if damaged in any manner. A chip or crack could result in breakage.
- Never use abrasive scouring pads or cleansers; they will scratch and weaken the glass.
- Do not place the carafe on or near a hot gas or electric burner, in a heated oven or in a microwave.
- Avoid rough handling and sharp blows.

MINERAL DEPOSITS AND CLOGGING

Mineral deposits left by hard water can clog your coffeemaker. Excessive steaming and/or a prolonged brewing cycle are signs that cleaning is needed. The frequency of cleaning out deposits is affected by the regularity of usage and water hardness. During cleaning, more steaming occurs than when brewing coffee and may emit spurts of steam. Cleaning is recommended every 60 brewing cycles.

1. Fill carafe with white vinegar up to 6-cup water line. Add water up to 8-cup line. Remove the water reservoir and fill with vinegar mixture. Replace reservoir.

Caution: Do not overfill water reservoir.

2. Put a paper filter in the brew basket and replace. Set empty carafe on the “Keep Hot” carafe plate.
3. Turn on coffeemaker and let half the cleaning solution brew into carafe (until water level is around the 3-cup line in the carafe). Turn coffeemaker off and let it soak for at least 15 minutes to soften the deposits.
4. Turn on coffeemaker and brew remaining cleaning solution into carafe.
5. Turn off coffeemaker, empty carafe and discard filter.
6. Use the carafe to fill water reservoir with fresh water to 6-cup line, replace empty carafe on the “Keep Hot” carafe plate and then turn on coffeemaker for a complete brew cycle to flush out remaining cleaning solution. You may wish to repeat this step again to eliminate any remaining vinegar smell/taste.
7. Wash the brew basket and carafe as instructed for normal cleaning.

TROUBLESHOOTING

PROBLEM	POSSIBLE CAUSE	SOLUTION
Coffeemaker does not turn on.	Coffeemaker is not plugged in.	Check to be sure appliance is plugged into a working outlet and the ON/OFF button has been pressed.
Coffeemaker is leaking.	Water reservoir may be overfilled or not inserted properly OR carafe may not be correctly placed on “Keep Hot” carafe plate.	Make sure the water reservoir has not been filled beyond the MAX fill line OR make sure carafe is placed correctly on “Keep Hot” carafe plate and is centered under the filter basket holder.
Brewing takes too long.	The coffeemaker might need cleaning.	Follow procedures in CARE AND CLEANING.
Coffee is not brewing.	Water reservoir might be empty.	Make sure water reservoir has sufficient water to brew desired number of cups of coffee.
The coffeemaker brews clear water.	There may be no coffee grounds in the brew basket.	Add sufficient amount of coffee grounds to filter-lined brew basket.
Brew basket overflows.	Carafe may be improperly placed on the “Keep Hot” carafe plate.	Remove carafe and insert so that carafe rests comfortably within the grooves on the “Keep Hot” carafe plate.
Grounds in the brewed coffee.	The filter and/or the brew basket are not properly placed.	Insert paper filter into brew basket and insert brew basket properly in place.
Coffeemaker is brewing slowly; brewed coffee tastes bad.	Coffeemaker needs cleaning; wrong grind being used.	Follow directions in CARE AND CLEANING. Use only coffee ground for automatic drip coffeemakers.

INSTRUCCIONES IMPORTANTES DE SEGURIDAD

Cuando se usan aparatos eléctricos, siempre se deben respetar las siguientes medidas básicas de seguridad:

- Por favor lea todas las instrucciones.
- No toque las superficies calientes. Use las asas o las perillas.
- A fin de protegerse contra un choque eléctrico y lesiones a las personas, no sumerja el cable, los enchufes ni el aparato en agua ni en ningún otro líquido.
- Todo aparato eléctrico usado en la presencia de los niños o por ellos mismos requiere la supervisión de un adulto.
- Desconecte el aparato del tomacorriente cuando no esté en uso y antes de limpiarlo. Espere que el aparato se enfríe antes de instalarlo o retirarle piezas y antes de limpiarlo.
- No use ningún aparato eléctrico que tenga el cable o el enchufe averiado, que presente un problema de funcionamiento o que esté dañado. Acuda a un centro de servicio autorizado para que lo examinen, reparen o ajusten o llame gratis al número correspondiente en la cubierta de este manual.
- El uso de accesorios no recomendados por el fabricante del aparato puede ocasionar incendio, choque eléctrico o lesiones a las personas.
- No use este aparato a la intemperie.
- No permita que el cable cuelgue del borde de la mesa o del mostrador ni que entre en contacto con las superficies calientes.
- No coloque el aparato sobre ni cerca de las hornillas de gas o eléctricas ni adentro de un horno caliente.
- Para desconectar, ajuste todo control a la posición de apagado (OFF) y después, retire el enchufe del tomacorriente.
- Este aparato se debe usar únicamente con el fin previsto.
- La tapa debe permanecer sobre la jarra cuando el aparato está en uso.
- El retirar la tapa durante los ciclos de colado puede ocasionar quemaduras.
- Para reducir el riesgo de incendio, no coloque ningún aparato de calentar ni de cocinar debajo de este artefacto.

- Para reducir el riesgo de incendio, no instale el aparato sobre ni cerca de ninguna superficie de un aparato de calentar ni de cocinar.
- Para reducir el riesgo de un choque eléctrico, no instale este aparato sobre un fregadero.
- Para reducir el riesgo de incendio, cuando el aparato esté en uso, nunca coloque nada directamente sobre la superficie del aparato.
- La jarra está diseñada para ser utilizada con este aparato. Jamás se deberá utilizar sobre la estufa.
- Nunca coloque una jarra caliente sobre una superficie fría ni húmeda.
- No utilice la jarra si el vidrio se encuentra rajado o si el asa está débil.
- No limpie la jarra con limpiadores abrasivos, con almohadillas de fibra de metal ni demás limpiadores abrasivos.

CONSERVE ESTAS INSTRUCCIONES.

Este aparato eléctrico es para uso doméstico únicamente.

ENCHUFE DE TIERRA

Como medida de seguridad, este producto cuenta con un enchufe de tierra que tiene tres contactos. No trate de alterar esta medida de seguridad. La conexión inapropiada del conductor de tierra puede resultar en un riesgo de choque eléctrico. Si tiene alguna duda, consulte con un electricista calificado para asegurarse de que la toma de corriente sea una de tierra.

TORNILLO DE SEGURIDAD

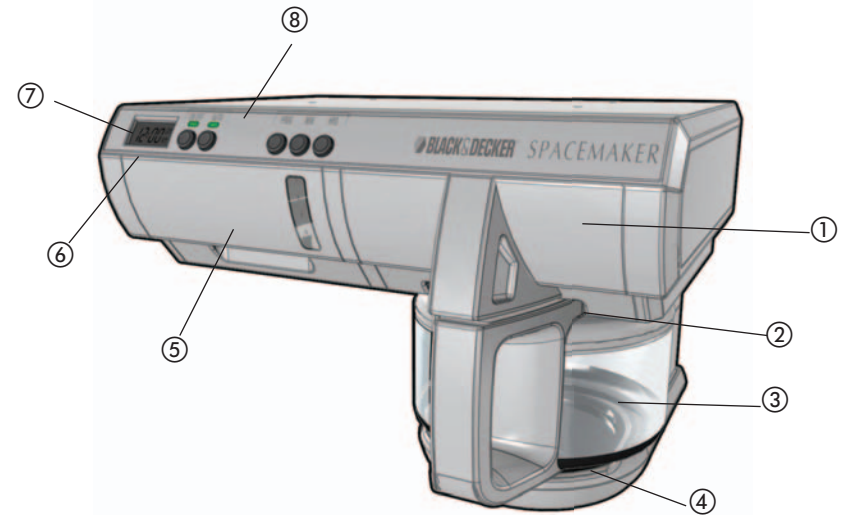
Advertencia: Este aparato cuenta con un tornillo de seguridad para evitar la remoción de la cubierta exterior del mismo. A fin de reducir el riesgo de incendio o de choque eléctrico, por favor no trate de remover la cubierta exterior. Este producto no contiene piezas reparables por el consumidor. Toda reparación se debe llevar a cabo únicamente por personal de servicio autorizado.

CABLE ELÉCTRICO

- a) El producto se debe proporcionar con un cable eléctrico corto (o uno separable), a fin de reducir el riesgo de tropezar o de enredarse en un cable más largo.
- b) Existen cables eléctricos más largos y separables o cables de extensión que uno puede utilizar si toma el cuidado debido.
- c) Si se utiliza un cable separable o de extensión,
 - 1) El régimen nominal del cable separable o del cable de extensión debe ser, como mínimo, igual al del régimen nominal del aparato.
 - 2) Si el aparato es de conexión a tierra, el cable de extensión debe ser un cable de tres alambres de conexión a tierra.
 - 3) Uno debe acomodar el cable más largo de manera que no cuelgue del mostrador o de la mesa, para evitar que un niño tire del mismo o que alguien se tropiece.

Nota: Si el cordón de alimentación es dañado, en América Latina debe sustituirse por personal calificado o por el centro de servicio autorizado.

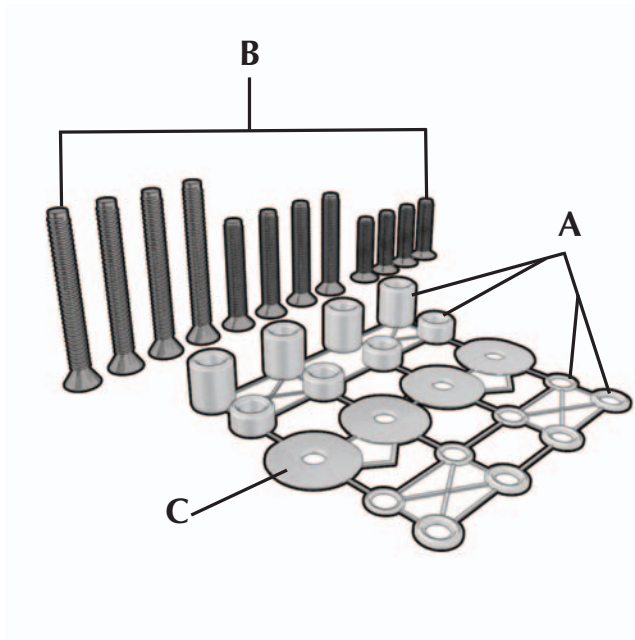
El producto puede variar ligeramente del que aparece ilustrado.



A1

- †1. Cesto de colar (Pieza No SDC001) blanco, (Pieza No SDC002) negro
2. Dispositivo de interrupción de colado Sneak-A-Cup®
- †3. Jarra de vidrio con tapa (Pieza No SDC004) blanco, (Pieza No SDC005) negro
4. Placa de calentamiento
- †5. Tanque de agua iluminado con indicador del nivel de agua (Pieza No SDC007) blanco, (Pieza No SDC008) negro
6. Tapa del tanque (no ilustrada)
7. Pantalla digital
8. Panel de control
9. Gancho para manejo del cable (no mostrado)
10. Receptor del enchufe (no mostrado)
- †11. Juego de piezas de montaje (Pieza No SDC009-01) blanco, (Pieza No SDC009-02) negro
Soporte de montaje (Pieza No SDC0010) blanco, (Pieza No SDC011) negro (no mostrado)

Nota: † indica piezas desmontables/reemplazables por el consumidor



A2

† 1. Piezas para el ensamblaje
(Pieza N° SDC-MOUNTING KIT)

A. 16 Separadores

- 4 1/2"
- 4 1/4"
- 4 3/16"
- 4 1/16"

B. 12 Tornillos

- 4 1"
- 4 1 1/2"
- 4 2 1/4"

C. 4 Arandelas

2. Plantilla para el ensamblaje (en caja)

También necesitará:

- Cinta adhesiva
- Regla (o puede también cortar la regla que se proporciona con la plantilla)
- Taladro eléctrico con broca de 1/4"

PASOS PRELIMINARES

- Retire todo el material de empaque, etiquetas y calcomanías.
- Retire y conserve toda literatura.
- Desempaque las partes de montaje, y apártelos en un lugar seguro para no perderlos.

Importante: No trate de operar el aparato sin antes haberlo instalado debidamente.

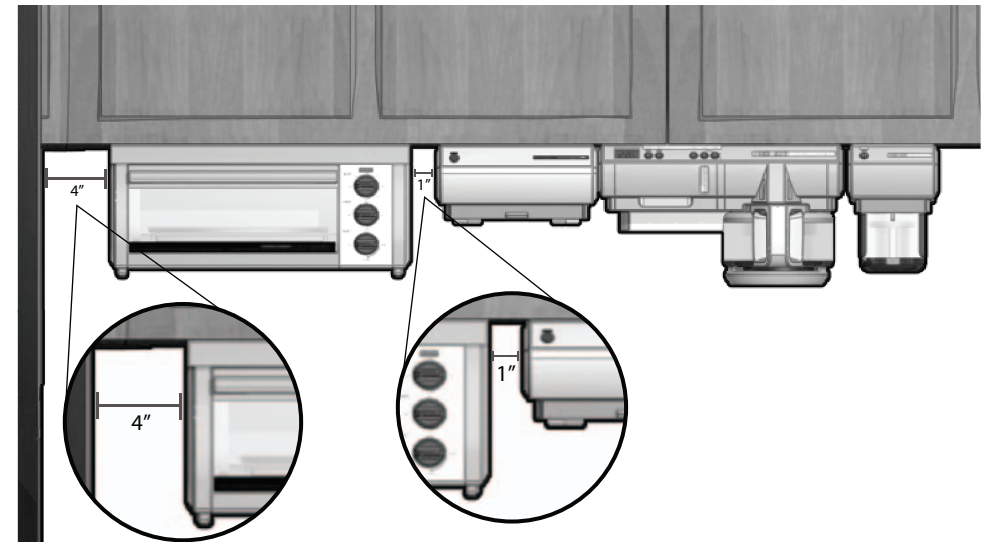
ESCOJA EL LUGAR ADECUADO

Cuando escoja un lugar de montaje, tome en cuenta lo siguiente:

- **ASEGÚRESE** de instalar el aparato con alcance a una toma de corriente.
- **TOME EN CUENTA** su patrón normal de trabajo en la cocina.
- **NO** instale el aparato sobre ningún aparato de cocinar ni de calentamiento, tal como la estufa o el horno.
- **NO** instale el aparato sobre el fregadero.
- **NO** instale el aparato detrás, debajo ni enfrente de los aparatos de iluminación con montaje debajo de los gabinetes.

Nota: Si usted instala múltiples aparatos †SpaceMaker™ y va a instalar su aparato al lado del horno SpaceMaker™ (**Fig. A.3**):

- Deje por lo menos 1" entre el lado donde se encuentra el panel de controles de su horno y la pared o el otro aparato que va a instalar.
- Deje por lo menos 4" entre el lado opuesto al panel de controles de su horno y la pared o el otro aparato que va a instalar. Los demás aparatos los puede instalar cada uno junto a otro.



A.3

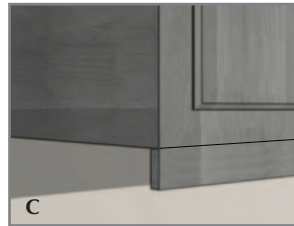
Precaución: Este aparato cuenta con un receptáculo tomacorriente Save-A-Plug™ para conectar aparatos †SpaceMaker™ más pequeños, como un miniprocador de alimentos/un molino o un abrelatas. ¡No utilice este tomacorriente para ningún otro aparato!

Precaución: Al elegir un lugar para su cafetera, asegúrese de tener el espacio suficiente para llegar al receptáculo tomacorriente en la parte de atrás.

Nota: Si conecta otro aparato †SpaceMaker™ en el tomacorriente Save-A-Plug™, asegúrese de poder desenchufar el aparato después de cada uso.

DETERMINE EL TIPO DE GABINETE

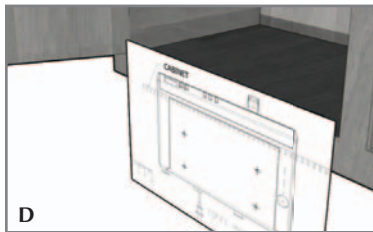
Antes de instalar el aparato, verifique si el gabinete tiene inferior plano (B) o saliente (C). Si el gabinete es de inferior plano, siga las instrucciones de MONTAJE ESTÁNDAR, y si el gabinete tiene saliente, consulte la sección de MONTAJE SOBRESALIENTE.



MONTAJE ESTÁNDAR (GABINETES DE INFERIOR PLANO)

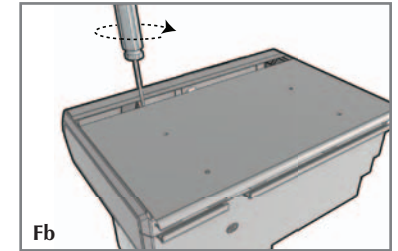
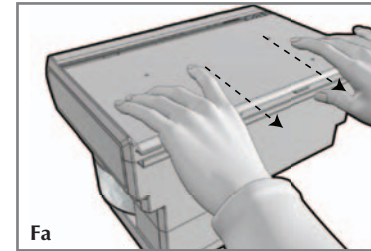
Advertencia: Siempre use gafas de protección, a fin de evitar lesiones al perforar.

1. Despeje la superficie debajo del área de instalación para evitar que caiga polvo o sucio sobre los aparatos y demás artículos. Abra los gabinetes y vacíelos para facilitar el proceso de montaje.
2. Limpie el panel inferior del gabinete por la parte de arriba y de abajo.
3. Abra las puertas de los gabinetes y coloque la plantilla, a ras contra la superficie debajo del gabinete, asegurándose de que la línea gruesa de la plantilla quede alineada con el borde inferior delantero de gabinete (D).



Importante: No alinee los agujeros de los tornillos de la plantilla debajo de la partición entre los gabinetes; el hacerlo evita la instalación apropiada del aparato. Preste atención adónde desea fijar los agujeros, de manera que no haya daño a los gabinetes durante el proceso de montaje. El perforar a través de la partición del gabinete puede ocasionar daño y evitar la instalación debida.

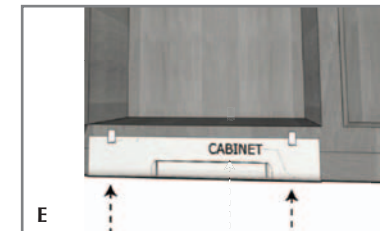
4. Doble la plantilla alrededor del borde del gabinete de forma que la línea gruesa quede alineada con el borde inferior delantero, estire la plantilla y pegue las 4 esquinas para fijarla en su lugar.
5. Use un taladro con broca de 6,3 mm (¼ pulg) y perforo desde abajo del gabinete, atravesando los 4 agujeros marcados en la plantilla (E).



Importante: Siempre asegúrese de perforar derecho a través de los agujeros marcados en la plantilla. El perforar angularmente puede evitar la instalación correcta del aparato y dañar los gabinetes si la broca llegase a perforar la partición.

6. Una vez que haya perforado los agujeros, despegue la cinta adhesiva y la plantilla de montaje.
7. Limpie el polvo y el sucio de la superficie del interior del gabinete, por la parte de arriba y de abajo.
8. Por dentro del gabinete, coloque una arandela sobre cada uno de los 4 agujeros que ha perforado.

Importante: El panel superior de la cafetera es removible para facilitar la instalación del aparato. Simplemente sujete el panel por la parte de atrás y hale para retirarlo (Fa) o inserte un destornillador plano a través de uno de los agujeros de montaje en la parte delantera y gire para abrirlo (Fb). Una vez que retire el panel, móntelo en su lugar siguiendo las instrucciones a continuación. Luego, deslice la cafetera nuevamente sobre el carril del panel, para sujetar el aparato después que lo instale.

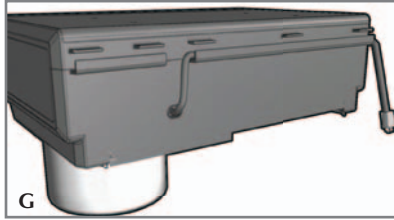


9. Sujete el panel en su lugar; los agujeros perforados en el gabinete deben coincidir con los agujeros de montaje trazados en el panel.
10. Inserte un tornillo en cada agujero del panel por dentro del gabinete. Coloque una tuerca en cada tornillo y apriete hasta quedar bien afianzados.

Nota: Para determinar que tornillos debe usar, tenga en cuenta que cada tornillo debe sobresalirse del gabinete lo suficiente para que pueda asegurarse con una tuerca.

Nota: Asegúrese de apretar bien las tuercas para evitar la vibración del aparato mientras está en funcionamiento.

11. Una vez que el panel esté bien afianzado, alce la cafetera y alinéela con el carril en el panel para engancharla nuevamente en su lugar.
12. Enchufe el aparato a un tomacorriente estándar. El cable sobrante se puede colgar sobre el gancho para manejo del cable, detrás del aparato (G).



Precaución: Este aparato cuenta con un receptáculo tomacorriente Save-A-Plug™ para conectar aparatos †SpaceMaker™ más pequeños, como un miniprocador de alimentos/un molino o un abrelatas. ¡No utilice este tomacorriente para ningún otro aparato!

Nota: Si conecta otro aparato †SpaceMaker™ en el tomacorriente Save-A-Plug™, asegúrese de poder desenchufar el aparato después de cada uso.

13. ¡Su aparato †SpaceMaker™ está listo para usar!

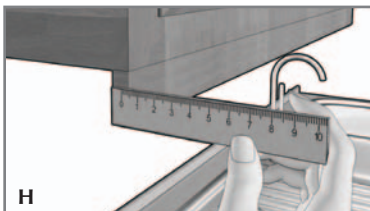
MONTAJE SOBRESALIENTE

Para gabinetes con labio saliente (vea la Ilustración C)

Advertencia: Siempre use gafas de protección, a fin de evitar lesiones al perforar.

Note: Se han provisto separadores en caso de que el gabinete tenga saliente en el borde delantero. Solamente use los separadores con los tornillos en la parte trasera del aparato, para asegurar que quede nivelada con la parte del frente.

1. Despeje la superficie debajo del área de instalación para evitar que caiga polvo o sucio sobre los aparatos y demás artículos. Abra los gabinetes y vacíelos para facilitar el proceso de montaje.
2. Limpie el panel inferior del gabinete por la parte de arriba y de abajo.
3. Use una regla para medir el grosor del labio saliente (H), anotando con precisión el número para uso en el siguiente paso.



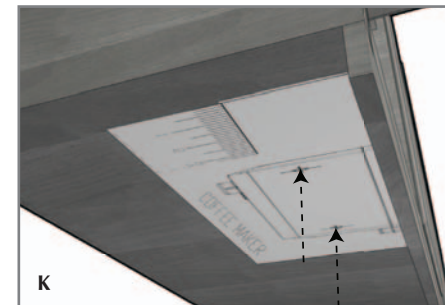
Nota: Si no tiene una regla, corte la regla de papel provista en el borde de la plantilla de montaje.

4. Luego de medir el grosor del labio saliente, como se indica en la Ilustración H, observe las líneas discontinuas en la plantilla de montaje; cada línea tiene una medida al lado que indica el grosor del labio saliente que se usa para esa línea. Por ejemplo, si su gabinete tiene un saliente de 1/2", usted debe usar la línea marcada 1/2" en la plantilla.
5. Doble la plantilla por la línea discontinua que coincide con el grosor del labio saliente de su gabinete.
6. Apoye la plantilla doblada contra el borde trasero del labio saliente, asegurando que los agujeros para taladrar queden de cara hacia abajo (J).



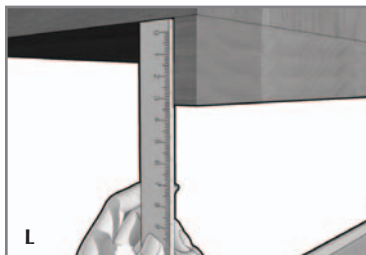
Importante: No alinee los agujeros de los tornillos de la plantilla debajo de la partición entre los gabinetes; el hacerlo evita la instalación apropiada del aparato. Preste atención adónde desea fijar los agujeros, de manera que no haya daño a los gabinetes durante el proceso de montaje. El perforar a través de la partición del gabinete puede ocasionar daño y evitar la instalación debida.

7. Pegue la plantilla con la cinta adhesiva, asegurándose de que el borde de la plantilla quede derecho, contra el borde trasero del labio saliente del gabinete.
8. Use un taladro con broca de 6,3 mm (1/4 pulg) y perforo desde abajo del gabinete, atravesando los 4 agujeros marcados en la plantilla (K).



Importante: Siempre asegúrese de perforar derecho a través de los agujeros marcados en la plantilla. El perforar angularmente puede evitar la instalación correcta del aparato y dañar los gabinetes si la broca llegase a perforar la partición.

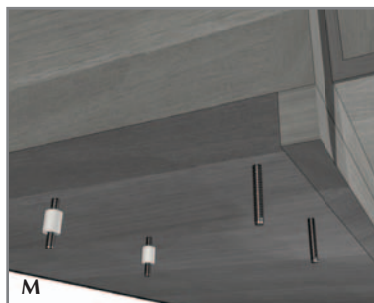
9. Una vez que haya perforado los agujeros, despegue la cinta adhesiva y la plantilla de montaje.
10. Limpie el polvo y el sucio de la superficie del interior del gabinete, por la parte de arriba y de abajo.
11. Por dentro del gabinete, coloque una arandela sobre cada uno de los 4 agujeros que ha perforado.
12. Mida la altura del saliente con una regla o con la regla de papel provista, colocándola verticalmente contra la parte de abajo del gabinete, detrás del saliente. Este número determina cuántos separadores se necesitan, que equivalen a la altura del saliente. Por ejemplo, un saliente de 1 pulg. requiere dos separadores de 1/2 pulg. en cada agujero (**L**).



13. Por dentro del gabinete, introduzca los tornillos sobre cada arandela en los agujeros ya perforados.

Nota: Para determinar que tornillos debe usar, tenga en cuenta que cada tornillo debe sobresalirse del gabinete lo suficiente para que pueda asegurarse con una tuerca.

13. Según el paso No. 12, coloque el número de separadores necesarios en cada tornillo trasero para asegurar que el aparato quede nivelado (**M**).



Nota: Si el saliente de su gabinete es demasiado alto para que pueda acomodarse con la cantidad de separadores proporcionados, usted puede llamar al 1-800-231-9786 totalmente gratis y ordenar separadores adicionales, sin costo alguno.

Nota: Para la instalación de los separadores, es probable que se requiera asistencia, a fin de sostener los separadores en su lugar mientras uno afianza el aparato al mismo tiempo. Si no tiene asistencia disponible, use una prensa pequeña para sujetar los separadores en su lugar mientras usted instala el aparato.

Importante: El panel superior de la cafetera es removible para facilitar la instalación del aparato. Simplemente sujete el panel por la parte de atrás y hale para retirarlo (vea Fa) o inserte un destornillador plano a través de uno de los agujeros de montaje en la parte delantera y gire para abrirlo (vea Fb). Una vez que retire el panel, móntelo en su lugar siguiendo las instrucciones a continuación. Luego, deslice la cafetera nuevamente sobre el carril del panel, para sujetar el aparato después que lo instale.

15. Una vez que los separadores hayan sido afianzados, eleve el panel y apriete bien las tuercas de cada tornillo.

Nota: Siempre apriete los tornillos para asegurar que no haya vibración mientras el aparato está en funcionamiento.

16. Una vez que el panel esté bien afianzado, alce la cafetera y alinéela con el carril en el panel para engancharla nuevamente en su lugar.

17. Enchufe el aparato a un tomacorriente estándar. El cable sobrante se puede colgar sobre el gancho para manejo del cable, detrás del aparato (vea G).

Precaución: Este aparato cuenta con un receptáculo tomacorriente Save-A-Plug™ para conectar aparatos †SpaceMaker™ más pequeños, como un miniprocador de alimentos/un molino o un abrelatas. ¡No utilice este tomacorriente para ningún otro aparato!

Nota: Si conecta otro aparato †SpaceMaker™ en el tomacorriente Save-A-Plug™, asegúrese de poder desenchufar el aparato después de cada uso.

18. ¡Su aparato †SpaceMaker™ está listo para usar!

Como usar

Este producto es para uso doméstico solamente.

ANTES DEL PRIMER USO

Nota: La hora parpadeará en la pantalla al conectar el aparato a la tomacorriente. El reloj se puede programar antes, durante o después de preparar el café. (Consulte la sección PROGRAMACIÓN DEL RELOJ/CRONÓMETRO.) No es necesario programar el reloj para hacer café a menos que usted quiera utilizar el dispositivo de colado automático.

- Retire el tanque de agua por el asa; retire la tapa para facilitar el llenado. Llene la jarra con agua de la llave hasta 6 tazas y vierta en el tanque. Coloque el tanque de agua con la tapa y la jarra en su posición original.
- Cuele agua a través del aparato utilizando un filtro en forma de cesta con capacidad de 8 a 12 tazas. No agregue café molido. Este paso limpia el interior del aparato y elimina cualquier residuo o polvo que pudiera haber en el sistema debido al proceso de fabricación.
- Una vez que se ha colado el agua, presione el botón de encendido/apagado (ON/OFF).
- Limpie el tanque del agua, el cesto del filtro, la jarra y la tapa. (Ver CUIDADO Y LIMPIEZA)

COMO COLAR EL CAFÉ

1. Sujete el cesto de colar por el mango para retirarlo. Inserte un filtro de papel apto para 8 a 12 tazas dentro del cesto y agregue la cantidad de café molido deseado (1 cucharadita de café molido por taza; ajuste al gusto). Coloque el cesto dentro de la cavidad nuevamente.
2. Retire el tanque del agua por el asa. Llene la jarra con agua de la llave hasta el nivel deseado; vierta en el tanque. Retire la tapa del tanque de agua para facilitar llenarlo. Vuelva a colocar el tanque de agua con la tapa, asegurándose que encaje en su lugar.

Advertencia: No exceda el nivel de llenado del tanque de agua.

3. Coloque la jarra vacía en su lugar, asegurándose de que encaje bien contra la palanca trasera.

Importante: Si la jarra se colocada contra la palanca de seguridad en la parte posterior del aparato, la cafetera no funciona debidamente.

4. Presione el botón de encendido/apagado (ON/OFF). La pantalla digital exhibe, "ON" y la luz indicadora sobre el botón se ilumina al comenzar el ciclo de colado.
5. Al finalizar el ciclo de colado, el café se mantiene caliente en la jarra sobre la placa de calentamiento hasta 2 horas.

Nota: La cafetera cuenta con un dispositivo de apagado automático después de 2 horas. La cafetera mantiene la temperatura del café hasta 2 horas antes de apagarse automáticamente.

6. Una vez que el café molido se enfríe, retire el cesto del filtro y deseche el filtro con el café molido. Instale el cesto del filtro nuevamente.
7. Uno puede apagar la cafetera en cualquier momento con sólo presionar el botón de encendido/apagado (ON/OFF).

DISPOSITIVO DE INTERRUPCIÓN DE COLADO SNEAK-A-CUP®

Gracias al dispositivo de interrupción de colado Sneak-A-Cup®, uno puede servirse una taza de café durante el ciclo de colado. Cuando uno retira la jarra, el ciclo de colado se interrumpe por 20 segundos. El ciclo de colado continúa después de 20 segundos.

Importante: Si la jarra no se vuelve a colocar después de 20 segundos, el cesto de colar puede desbordarse.

Advertencia: Nunca retire el cesto de colar cuando use el dispositivo de interrupción de colado; el cesto de colar contiene café caliente.

PROGRAMACIÓN DEL RELOJ/CRONÓMETRO

Uno puede programar el reloj antes, durante o después del ciclo de colado.

Para ajustar la hora: Presione el botón para la hora (HOUR) y luego el de los minutos (MIN) hasta que la hora correcta aparezca en la pantalla. El mantener presionado el botón, permite ajustar la hora y los minutos más rápido.

COLADO AUTOMÁTICO

1. Siga los pasos del 1 al 3 en la sección de preparación del café.
2. Asegúrese que el reloj esté programado a la hora correcta del día según las instrucciones en la sección de programación del reloj/cronómetro
3. Para activar el ciclo de colado automático: Presione el botón PROG; (la palabra "PROGRAM" aparece intermitentemente, indicando que el tiempo de colado automático esta siendo programado).
4. Presione los botones HOUR y MIN hasta aparecer la hora deseada para iniciar el ciclo de colado automático.
5. Después de unos segundos, la pantalla exhibe la hora del día, indicando que el tiempo para colado automático ha sido programado (PROG).

Nota: Para verificar la hora programada, presione el botón PROG y la pantalla VCL exhibe intermitentemente la hora que uno ha seleccionado para dar inicio al ciclo de colado. Después, la pantalla exhibe nuevamente la hora del día.

6. Presione el botón de colado automático (AUTO); la hora programada para el colado automático aparece intermitentemente dos veces. La palabra AUTO aparece en la pantalla y la luz sobre el botón AUTO se enciende; estas permanecen hasta que el ciclo de colado empieza a la hora programada. La palabra ON aparece en la pantalla y la luz sobre AUTO se apaga mientras que se enciende la luz sobre el botón ON/OFF.
7. Para cancelar el ciclo de colado automático, presione el botón "ON/OFF".



CONSEJOS PARA COLAR CAFÉ

- Siempre use agua fresca y buena al hacer el café. En vista de que el café es 98% agua, la calidad del agua es muy importante para el sabor del café.
- Revuelva el café de la jarra antes de servirlo para distribuir bien el sabor.
- El café que uno sirve a medio ciclo de colar puede resultar más ligero o más fuerte comparado al producto final.

- ¿Tiene duda de cuánto café usar? Comience por medir 1 cucharadita rasada de café molido de textura media por cada taza de café a colar.
- Nunca vuelva a usar los filtros de café; estos absorben los sabores del café colado y dan al café nuevo un sabor rancio. También pueden romperse y dejar caer café molido dentro de la jarra de café fresco.
- Si deja la jarra llena sobre la placa de calentamiento, retire el café molido usado del cesto de colar cuando ya se haya enfriado. Esto evita que el café adquiera un sabor amargo.
- Para una ocasión especial, puede batir crema y agregar con 1 o 2 cucharadas de avellana, chocolate o licor de almendras para coronar cada taza de café.
- Agregue un trozo de 2 pulgadas de frijoles de vainilla a la azucarera. Le sorprenderá el agradable sabor.
- Siempre mantenga la cafetera limpia.
- Para café frío, use doble cantidad de café molido de lo normal ya que el hielo diluye el sabor del café. O haga cubos de hielo con el café sobrante y cuele el café como lo haría normalmente.
- Siempre recuerde poner una cuchara dentro de los vasos de vidrio antes de verter líquido caliente.
- Para un café más sabroso, asegúrese de lavar bien la jarra y el cesto de colar con agua tibia después de cada uso.

Cuidado y limpieza

Este aparato no contiene piezas reparables por el consumidor. Todo servicio que requiera desarmar el aparato debe llevarse a cabo por personal técnico especializado.

Advertencia: No exponer el panel de control al agua. El agua puede ocasionar daño permanente al aparato y dejarlo inservible.

1. Asegúrese que el aparato esté desenchufado y que se haya enfriado antes de limpiarlo.
2. Retire el cesto de colar, sujetándolo por el mango y levantándolo derecho para arriba.
3. Deseche el filtro de papel con el café molido.
4. Limpie las piezas de la siguiente manera:
 - El cesto de colar y la jarra pueden ser lavados a mano con agua tibia jabonada o pueden ser introducidos en la bandeja superior de la máquina lavaplatos.
 - Limpie el exterior de la cafetera y la placa de calentamiento con un paño suave humedecido. No use limpiadores abrasivos ni almohadillas de fregar.

CUIDADO DE LA JARRA

Una jarra dañada puede resultar en posibles quemaduras debido al líquido caliente. Para evitar que la jarra se rompa:

- No permita que se evapore toda el agua mientras la jarra permanece sobre la placa de calentamiento, y jamás caliente la jarra estando vacía.
- Deseche la jarra si se encuentra dañada en cualquier forma. Una astilla o rajadura puede causar que esta se rompa.

- Para no rallar ni debilitar el vidrio de la jarra, nunca utilice limpiadores fuertes ni almohadillas abrasivas.
- No coloque la jarra sobre ni cerca de una hornilla de gas o eléctrica, ni dentro de un horno caliente ni en uno de microonda.
- Evite el manejo brusco y los golpes.

DEPÓSITOS MINERALES Y OBSTRUCCIONES

Los depósitos minerales que provienen del agua dura pueden obstruir la cafetera. El exceso de vapor o los ciclos de colado prolongados, indican que la cafetera requiere limpieza. La frecuencia de las limpiezas depende del uso y del agua que se utiliza. La cafetera produce más vapor durante el ciclo de limpieza que durante un ciclo de colado normal. Se recomienda una limpieza después de 60 ciclos de colado.

1. Llene la jarra con vinagre blanco hasta la línea indicadora de 6 tazas. Agregue agua hasta la línea indicadora de 8 tazas. Vierta la solución de agua y vinagre en el tanque de agua.

Advertencia: No exceda el nivel de llenado.

2. Introduzca un filtro de papel en el cesto de colar e instale el cesto en su lugar. Coloque la jarra vacía sobre la placa de calentamiento.
3. Encienda la cafetera y permita que cuele la mitad de la solución (hasta la línea indicadora de 3 tazas en la jarra). Apague la cafetera y deje reposar por lo menos 15 minutos para ablandar los depósitos minerales.
4. Encienda la cafetera y permita que se cuele el resto de la solución adentro de la jarra.
5. Apague la cafetera y deseche el contenido de la jarra y el filtro.
6. Use la jarra para llenar el tanque con agua fría hasta el nivel 6, coloque la jarra vacía sobre la placa de calentamiento, y encienda la cafetera para colar un ciclo completo con el fin de eliminar todo residuo de la solución de limpieza. Tal vez deba repetir esto para eliminar el sabor y olor del vinagre.
7. Lave el cesto de colar, y la jarra según las instrucciones en la sección de limpieza de la cafetera.

Detección de fallas

PROBLEMA	CAUSA POSIBLE	SOLUCIÓN
La cafetera no enciende.	La cafetera no está enchufada.	Verifique que la cafetera esté conectada a un enchufe que funciona y asegúrese de presionar el botón de encendido/apagado (ON/OFF).
La cafetera está goteando.	El tanque de agua puede estar muy lleno. La jarra no ha sido colocada correctamente sobre la placa de calentamiento.	Verifique que el agua en el tanque no sobrepase la marca del nivel MAX. Verifique que la jarra esté colocada correctamente sobre la placa de calentamiento y centrada bajo el cesto de colar.
El colado demora mucho.	La cafetera puede necesitar limpieza.	Siga los pasos indicados bajo Cuidado y limpieza.
El café no se cuele.	El tanque de agua puede estar vacío.	Verifique que el tanque de agua tenga la cantidad necesaria para el número de tazas deseadas.
La cafetera cuele agua limpia.	No se le agregó café molido al cesto de colar.	Agregue suficiente café molido al filtro adentro del cesto de colar.
El cesto de colar se rebalsa.	La jarra podría no estar bien colocada sobre la placa de calentamiento.	Retire la jarra e introdúzcala de manera que se acomode sobre las ranuras de la placa de calentamiento.
El café molido adentro del café colado.	El filtro y (o) el cesto de colar no están colocados correctamente.	Inserte un filtro de papel adentro del cesto de colar y coloque el cesto correctamente en su lugar.
La cafetera cuele lentamente; el café colado tiene mal sabor.	La cafetera necesita limpieza; se usó un tipo de café molido equivocado	Siga las instrucciones para limpiar la cafetera. Use únicamente café molido para cafeteras de goteo automáticas.

NEED HELP?

For service, repair or any questions regarding your appliance, call the appropriate 800 number on the cover of this book. **DO NOT** return the product to the place of purchase. Also, please **DO NOT** mail product back to the manufacturer, nor bring it to a service center. You may also want to consult the website listed on the cover of this manual.

Two-Year Limited Warranty (Applies only in the United States and Canada)

What does it cover?

- Any defect in material or workmanship; provided; however, Applica's liability will not exceed the purchase price of the product.

For how long?

- Two years after the date of original purchase

What will we do to help you?

- Provide you with a reasonably similar replacement product that is either new or factory refurbished

How do you get service?

- Save your receipt as proof of the date of sale.
- Check our on-line service site at www.prodprotect.com/applica, or call our toll-free number, 1-800-231-9786, for general warranty service
- If you need parts or accessories, please call 1-800-738-0245.

What does your warranty not cover?

- Damage from commercial use
- Damage from misuse, abuse or neglect
- Products that have been modified in any way
- Products used or serviced outside the country of purchase
- Glass parts and other accessory items that are packed with the unit
- Shipping and handling costs associated with the replacement of the unit
- Consequential or incidental damages (Please note, however, that some states do not allow the exclusion or limitation of consequential or incidental damages, so this limitation may not apply to you.)

How does state law relate to this warranty?

- This warranty gives you specific legal rights, and you may also have other rights that vary from state to state or province to province.

¿NECESITA AYUDA?

Para servicio, reparaciones o preguntas relacionadas al producto, por favor llame gratis al número "800" que aparece en la cubierta de este manual. **No** devuelva el producto al establecimiento de compra. **No** envíe el producto por correo al fabricante ni lo lleve a un centro de servicio. También puede consultar el sitio web que aparece en la cubierta de este manual.

Dos años de garantía limitada

(Aplica solamente en Estados Unidos o Canadá)

¿Qué cubre la garantía?

- La garantía cubre cualquier defecto de materiales o de mano de obra. Applica no se responsabiliza por ningún costo que exceda el valor de compra del producto.

¿Por cuánto tiempo es válida la garantía?

- Por dos años a partir de la fecha original de compra.

¿Qué clase de asistencia recibe el consumidor?

- El consumidor recibe un producto de reemplazo nuevo o restaurado de fábrica, parecido al original.

¿Cómo se obtiene el servicio necesario?

- Conserve el recibo original como comprobante de la fecha de compra.
- Se puede visitar el sitio web de asistencia al consumidor www.prodprotect.com/applica, o se puede llamar gratis al número 1-800-231-9786, para obtener información relacionada al servicio de garantía.
- Si necesita piezas o accesorios, por favor llame gratis al 1-800-738-0245.

¿Qué aspectos no cubre esta garantía?

- Los daños al producto ocasionados por el uso comercial
- Los daños ocasionados por el mal uso, abuso o negligencia
- Los productos que han sido alterados de cualquier manera
- Los productos utilizados o reparados fuera del país original de compra
- Las piezas de vidrio y demás accesorios empacados con el aparato
- Los gastos de tramitación y embarque relacionados con el reemplazo del producto
- Los daños y perjuicios indirectos o incidentales (sin embargo, por favor observe que algunos estados no permiten la exclusión ni la limitación de los daños y perjuicios indirectos ni incidentales, de manera que esta restricción podría no aplicar a usted).

¿Qué relación tiene la ley estatal con esta garantía?

- Esta garantía le otorga derechos legales específicos y el consumidor podría tener otros derechos que varían de una región a otra.

 **BLACK&DECKER** is a trademark of The Black & Decker Corporation, Towson, Maryland, USA
Marca registrada de *The Black & Decker Corporation*, Towson, Maryland, E.U.

†Spacemaker is a registered trademark of *General Electric Company*, USA.
†Spacemaker es una marca registrada de *General Electric Company*, EE.UU.



Copyright © 2008 - 2009 Applica Consumer Products, Inc.

R22008/2-28-67E/S



Printed on recycled paper.
Impreso en papel reciclado.

Made in People's Republic of China
Printed in People's Republic of China

Fabricado en la República Popular de China
Impreso en la República Popular de China

BLACK & DECKER[®] †**SPACE MAKER**[™]

Save space and regain your counters in any kitchen with our full-line of space-saving appliances.

†SpaceMaker[™] appliances can help tackle all your kitchen tasks while keeping your counters free of clutter!

Visit **www.bdspacemaker.com** to learn more about †SpaceMaker[™] appliances and see our latest promotional offers.

Your countertops will thank you!



Ahorre espacio y recupere sus mostradores en cualquier cocina con nuestra línea completa de electrodomésticos que ahorran espacio.

¡†SpaceMaker[™] puede ayudarlo con todas las tareas de la cocina sin ocupar mucho espacio!

Visite **www.bdspacemaker.com** para obtener más información sobre los electrodomésticos †SpaceMaker[™] y enterarse de nuestras promociones más recientes.

¡Sus mostradores se lo agradecerán!