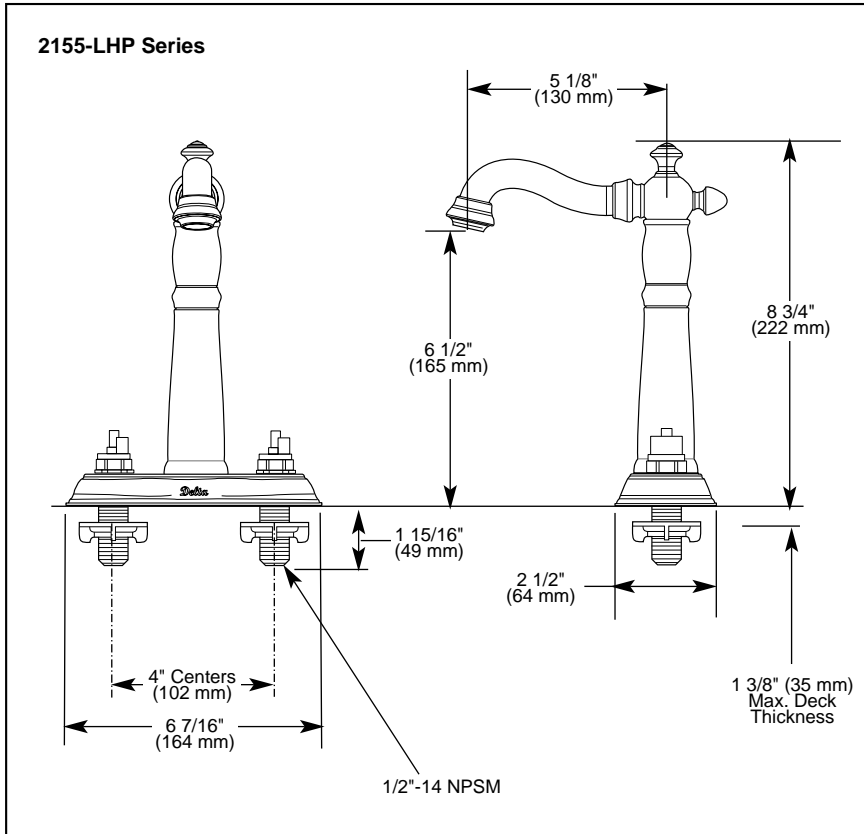


2155-LHP

Submitted Model No.: \_\_\_\_\_

Specific Features: \_\_\_\_\_



# DELTA<sup>®</sup>

## BAR FAUCETS

- Victorian<sup>®</sup> Series
- Two Handle Deck Mount
- 2 or 3 Hole Sink Applications
- 4" Centerset

### STANDARD SPECIFICATIONS:

- Two handle bar deck faucets for exposed mounting on two or three hole sinks.
- Solid brass fabricated body.
- 4" (102 mm) centerset.
- 5 1/8" (130 mm) long, 8 3/4" (222 mm) overall height, 6 1/2" (165 mm) outlet height, spout swings 360°.
- LHP-Less Handle Program.
- Hot and cold stems are interchangeable.
- 1/4 Turn stops
- Control mechanism shall be of the rotating cylinder type with stainless steel plate and 180° rotation, with replaceable non-metallic seats operating in stainless steel lined sockets.
- 1/2"-14 NPSM threaded male inlet shanks.

### WARRANTY

- Lifetime Faucet and Finish Limited Warranty to the original consumer purchaser to be free from defects in material and workmanship.
- 5 Year Limited Warranty for usage in all industrial, commercial and business applications.

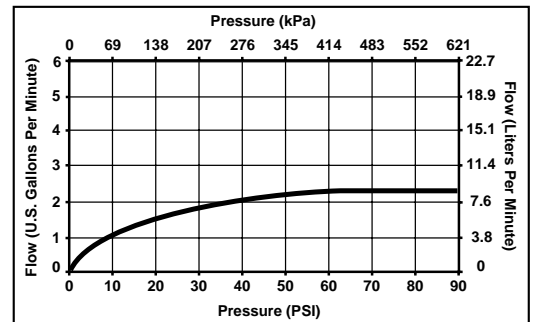
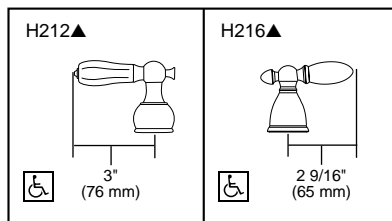
### COMPLIES WITH:

- NSF 61
- ASME A112.18.1 / CSA B125.1
- ♿ Indicates ADA compliance to ICC/ANSI A117.1
- IAPMO Listed
- CSA Certified



### Available LHP Handle Options

#### ▲ Specify Finish



Delta reserves the right (1) to make changes in specifications and materials, and (2) to change or discontinue models, both without notice or obligation. Dimensions are for reference only. See current full-line price book for finish options and product availability.



Indianapolis, Indiana 46280  
 A Division of Masco Corporation of Indiana  
 © 2006 Masco Corporation of Indiana