

MODEL 6000, 6250, 6500, 7000

PECO

PECO OWNERS MANUAL FOR A PECO WINDROW BLOWER

REVISED: 08/13/02



CONGRATULATIONS AND THANK YOU FOR BUYING THIS PECO WINDROW BLOWER!

Your new PECO BLOWER has been engineered and manufactured to PECO's high standards for safety, quality, dependability, and ease of operations.

SAVE THIS MANUAL FOR FUTURE REFERENCE

PeCo Limited Warranty for New Products

A. WHAT IS WARRANTED?

PeCo extends the following warranties to the original purchaser of each new PeCo consumer product subject to the following limitations.

1. PRODUCT WARRANTY.

Any part of any consumer product, which is defective in material or workmanship as delivered to the purchaser will be repaired or replaced, as PeCo elects, without charge for parts or labor, if the defect appears within 12 months from the date of delivery of the product to the original purchaser. **ALL DEFECTIVE PARTS MUST BE RETURNED TO PeCo FOR INSPECTION TO DETERMINE VALIDITY OF WARRANTY CLAIMS.** Freight and mailing charges will be borne by the customer.

2. PARTS REPLACED DURING WARRANTY.

Any new PeCo part which is furnished in performance of this warranty and is defective in material or workmanship as delivered to the purchaser will be repaired or replaced, as PeCo elects, without charge if the defect appears within 90 days from the date of installation of such part or before the expiration of the original warranty period, whichever is later.

B. SECURING WARRANTY ADJUSTMENTS

Damaged or broken parts other than engines or batteries, must be returned to PeCo, Inc., P.O. Box 1197, Arden, NC 28704 before any warranty adjustment can be authorized. At the time of requesting warranty adjustment, the purchaser must present evidence of the date of delivery of the product. The purchaser shall pay any charge for transporting the product to and from Arden, NC.

C. ITEMS NOT COVERED BY PeCo WARRANTY.

Engines and batteries attached to PeCo products are covered under a separate warranty by the respective manufacturer.

D. UNAPPROVED ALTERATION OR MODIFICATION.

All obligations of PeCo, Inc. under this warranty shall be terminated if products are altered or modified in ways not approved by PeCo, Inc.

E. ACCIDENTS AND NORMAL MAINTENANCE.

The warranty covers only defective material and workmanship. It does not cover depreciation or damage caused by normal wear, accident, improper use or abuse of products. The cost of normal maintenance and normal replacement of service items such as belts, cutting blades, hoses, etc., which are not defective shall be paid for by the purchaser.

F. NO REPRESENTATIONS ADDITIONAL WARRANTIES, DISCLAIMER.

Neither PeCo, Inc. nor any company affiliated with it makes any warranties, representations or promises as to the quality of performance of its products other than those set forth herein. Except as described above, PeCo, Inc. makes no other warranties **AND SPECIFICALLY DISCLAIMS ANY AND ALL IMPLIED WARRANTIES OF FITNESS AND MERCHANTABILITY.**

G. ANY MACHINE USED FOR RENTAL OR COMMERCIAL PURPOSES ARE GUARANTEED FOR 45 DAYS FROM DATE OF ORIGINAL SALE ONLY.

H. REMEDIED EXCLUSIVE.

The only remedies the purchaser has in connection with the breach or performance of any warranty on PeCo, Inc. consumer products are set forth above. In no event will PeCo be liable for special incidental or consequential damages.

I. NO SERVICE CENTER WARRANTY.

The selling Service Center makes no warranty on his own on any item warranted by PeCo, Inc. unless he delivers to purchaser a separate written warranty certificate specifically warranting the item. The dealer has no authority to make any representation or promise on behalf of PeCo or to modify the terms of limitations of this warranty in any way.

Outdoor Power Equipment Institute Recommendations

WARNING TO PURCHASERS OF INTERNAL COMBUSTION ENGINE EQUIPPED MACHINERY OR DEVICES IN THE STATE OF CALIFORNIA:

The equipment which you have purchased does not have a spark arrester muffler. If this equipment is to be used on any forest covered and brush covered land or grass covered unimproved land in the state of California, the law requires that a spark arrester muffler be installed and be in effective working order. The spark arrester must be attached to the exhaust system and comply with Section 4442 of the California Public Resources Code.

1. Read the owner's manual carefully and familiarize yourself with the proper use of your attachment. Do not allow anyone who is not acquainted with the Safety Instructions to use your attachment.
2. Know the controls and how to stop quickly. **READ THE OWNER'S MANUAL!**
3. Do not allow children to operate the vehicle. Do not allow adults to operate it without proper instruction.
4. Be especially watchful of children and pets darting into the area while operating.
5. Keep your eyes and mind on your tractor while mowing or operating your attachment. Don't let others distract you.
6. Do not attempt to operate your tractor or mower when not in the driver's seat.
7. Always stop Vac engine when emptying the container.
8. Stop tractor and vac engines and remove spark plug wire before removing or replacing hose, boot, blower cone or performing any maintenance.
9. Mow up and down the face of slopes (not steeper than 10 degrees); never across the face of the slope.
10. It is recommended that the container be kept only half full when negotiating any slopes. Start mowing on slopes when the container is empty.
11. Inspect your lawn and remove any foreign objects before mowing. Never deliberately run mower across any foreign object.
12. Wear ear protection if noise level is offensive.

PARTS INFORMATION

PeCo Windrow Blower Owners should record the name and telephone number of their dealer. Your dealer will be happy to supply replacement parts, accessories and do any service or repairs to your blower. If for some reason your dealer is unable to service your blower or supply replacement parts, Contact PeCo and include the following information:

Model #: _____

Serial Number: _____

Date of Purchase: ____/____/____

Dealer Name: _____

Dealer's City: _____ State: _____ Zip: _____

Phone #: _____

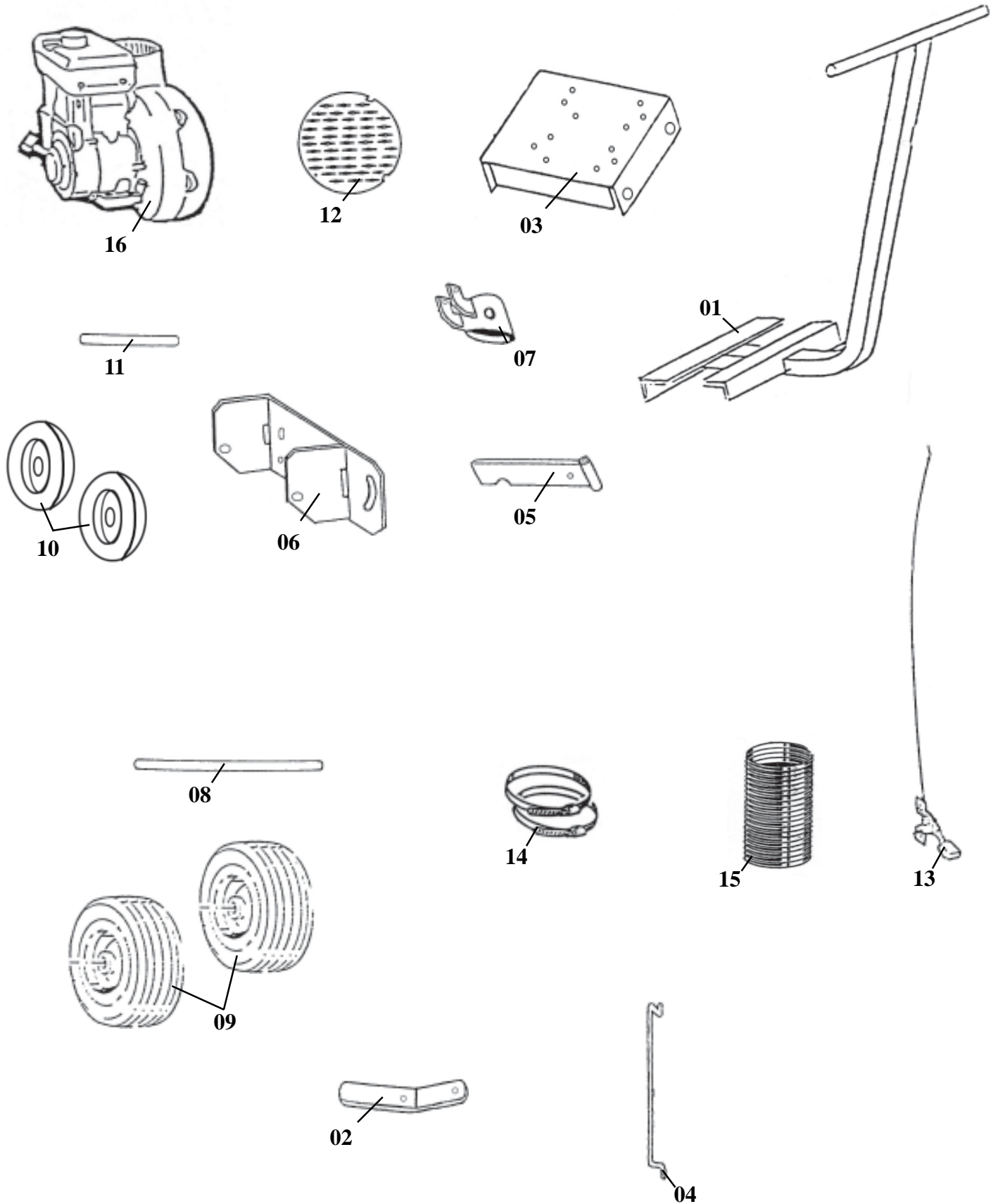
PeCo Inc. • P.O. Box 1197 • Arden, NC 28704
1-800-438-5823 • in NC 828-684-1234

PARTS LIST



01	A0388	BLOWER HANDLE ASSEMBLY	1
02	B2257	BLOWER HANDLE	1
03	A0389	BASE FRAME ASSEMBLY	1
04	B4194	OPERATING ROD	1
05	A0718	NOZZLE LEVER ASSEMBLY	1
06	A0719	WHEEL BRACKET ASSEMBLY	1
07	A0344	6" DIAMETER SWIVEL NOZZLE ASSY. (5.5HP, 6HP, & 6.5HP)	1
	OR		
	A0091	7" DIAMETER SWIVEL NOZZLE ASSY. (8HP)	1
08	B4206	REAR AXLE	1
09	H2002	REAR WHEELS	2
10	H1033	FRONT WHEELS	2
11	B1544	FRONT AXLE	1
12	B2494	BLOWER SCREEN	1
13	J1501	THROTTLE CONTROL CABLE	1
14	J6011	5"-6" HOSE CLAMPS (5.5HP, 6HP, & 6.5HP)	2
	OR		
	J6006	7"-8" HOSE CLAMPS (8HP)	
15	*****	6" x 14" SUPER FLEX HOSE (5.5HP, 6HP, & 6.5HP)	1
	OR		
	*****	7" x 14" SUPER FLEX HOSE (8HP)	1
16	A0404	5.5HP BLOWER & BLADE ASSEMBLY	1
	OR		
	A0405	6HP BLOWER & BLADE ASSEMBLY	
	OR		
	A0408	6.5HP BLOWER & BLADE ASSEMBLY	
	OR		
	A0412	8HP BLOWER & BLADE ASSEMBLY	

PARTS DIAGRAM





**P.O BOX 1197
ARDEN, NORTH CAROLINA 28704
1-800-438-5823 OR (828) 684-1234 FAX-(828) 684-0858
EMAIL: PECOINC1@BELLSOUT.NET**