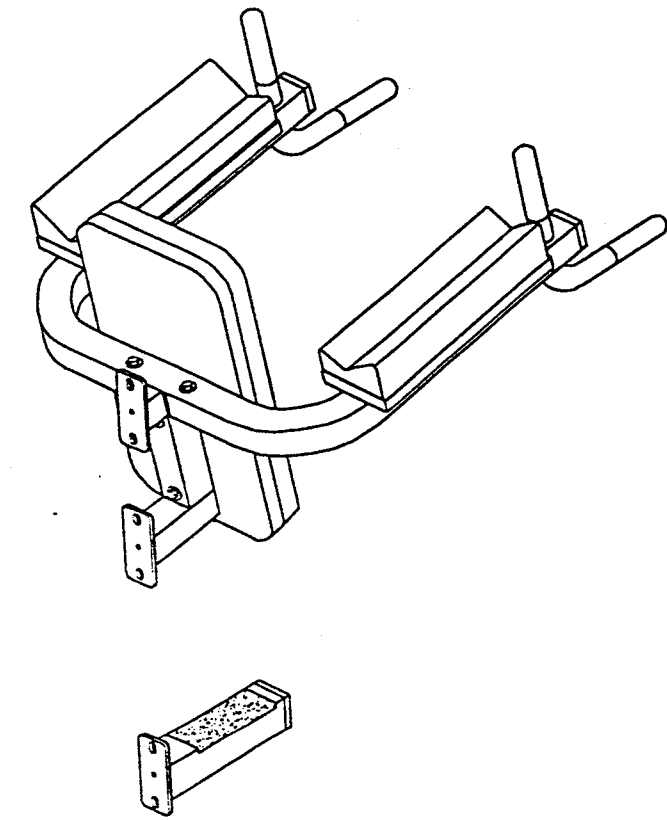




ParaBody
951
950 ST VKR OPTION
ASSEMBLY INSTRUCTIONS



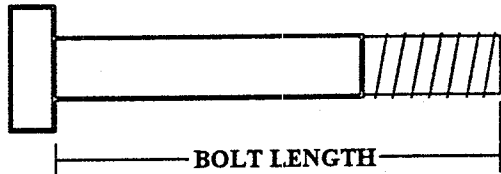
ParaBody, Incorporated
14150 Sunfish Lake Boulevard
Ramsey, MN 55303
1-800-328-9714

951101 950 ST VKR DIP OPTION ASSEMBLY PARTS LIST

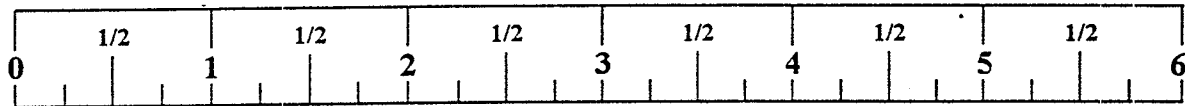
SORT AND COUNT ALL PARTS BEFORE BEGINNING ASSEMBLY

KEY	NAME/DESCRIPTION	QTY
1.	VKR FRAME(6625603)	1
2.	VKR FRAME SUPPORT.....(6625703)	1
3.	VKR FOOT STEP.....(6625802)	1
4.	STRIP, NON-SKID.....(6177001)	1
5.	CAP, END 2 SQ.....(6405201)	3
6.	GRIP, 1-1/4 X 5 CLOSED END.....(3103101)	4
7.	WASHER, FLAT 3/8 ID.....(3102501)	10
8.	WASHER, FLAT 1/2 ID.....(3102502)	6
9.	NUT, NYLOCK 3/8-16.....(3102802)	2
10.	NUT, NYLOCK 1/2-13.....(3102801)	6
11.	BOLT, 3/8-16 X 2-3/4.....(3102922)	6
12.	BOLT, 3/8-16 X 3.....(3102904)	2
13.	BOLT, 1/2-13 X 4.....(3102917)	6
14.	PAD, STCH 22 X 10-1/2.....(66410XX)	1
15.	PAD, STCH 14 X 4-1/2.....(66414XX)	2

NOTE: BOLT LENGTH IS MEASURED FROM THE UNDERSIDE OF THE HEAD OF THE BOLT.



BOLT LENGTH RULER:



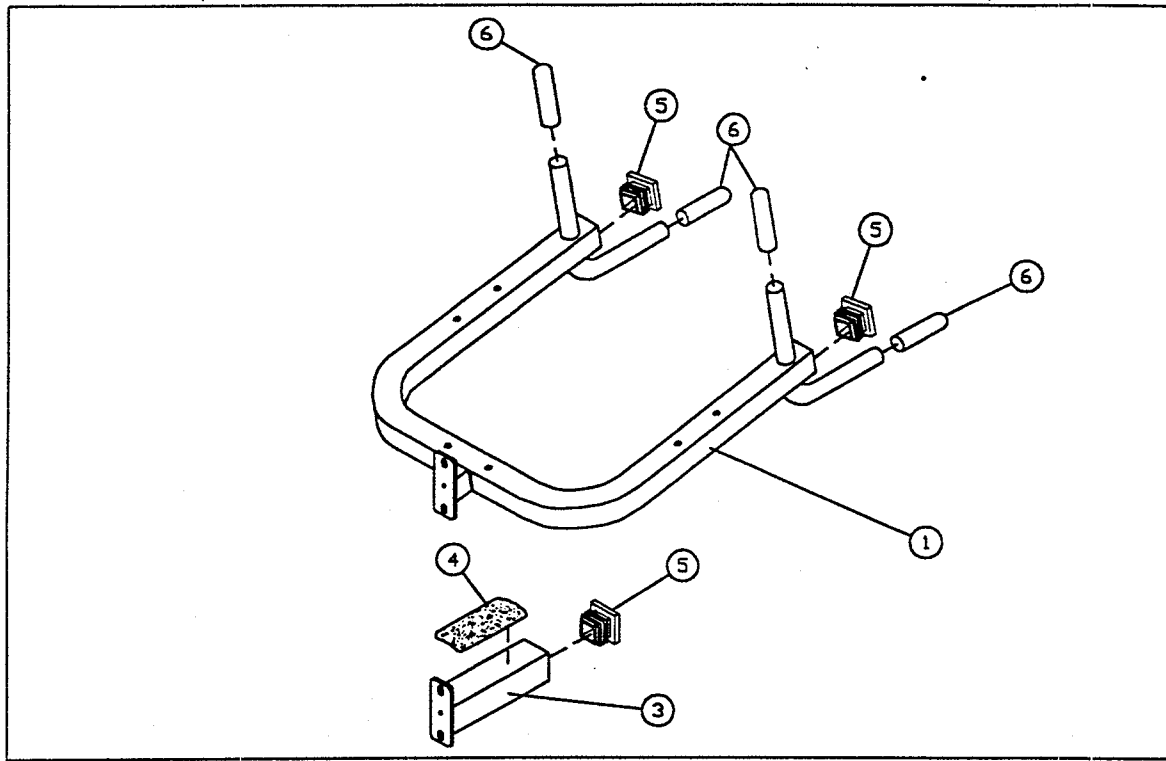
THANK YOU
 FOR PURCHASING THE 951101 VKR DIP OPTION ATTACHMENT. PLEASE SAVE THESE ASSEMBLY INSTRUCTIONS FOR YOUR PERSONAL REFERENCE, AND ADDITIONAL SERVICE INFORMATION.

*****IMPORTANT*****

- PARABODY INC. STRONGLY RECOMMENDS THAT THIS PRODUCT BE ASSEMBLED BY TWO PERSONS TO AVOID POSSIBLE INJURY.
- IF YOU EXPERIENCE ANY PROBLEM WITH THE ASSEMBLY OF THIS PRODUCT, PLEASE CONTACT YOUR DEALER OR YOUR PARABODY CUSTOMER SERVICE REPRESENTATIVE AT: 1-800-328-9714
- TOOLS REQUIRED: RATCHET, 3/4 SOCKET, 9/16 SOCKET, WRENCH, AND RUBBER Mallet OR HAMMER.

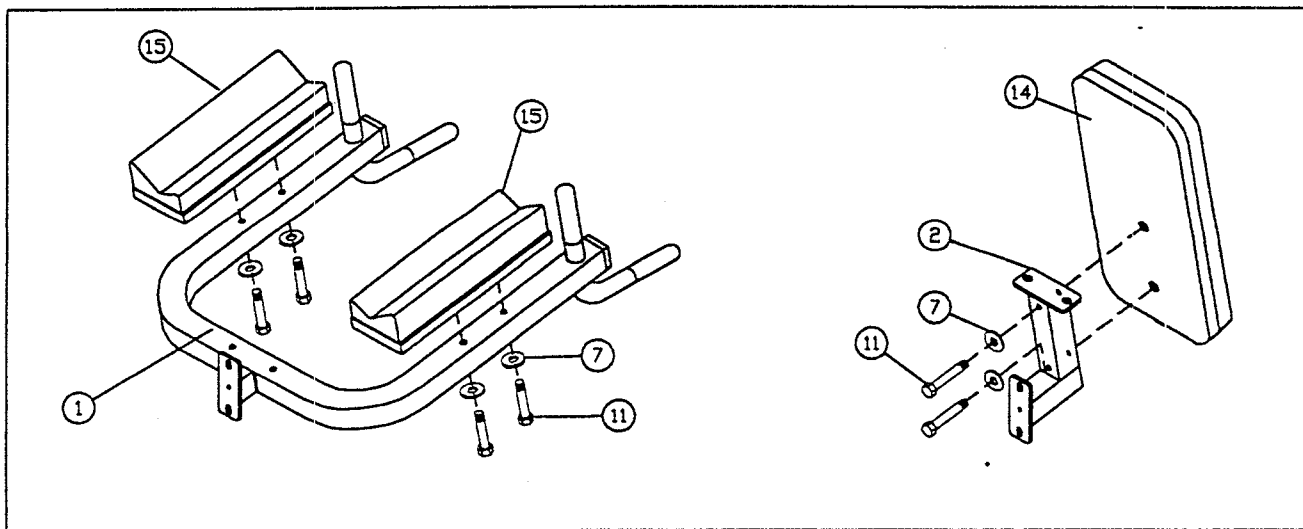
VKR Option Assembly Instructions

Use this procedure to assemble the 951 VKR option to the ParaBody 950 ST.



Step 1

- A. Insert two 2" sq. end caps (5) into the ends of the VKR frame (1) as shown on drawing.
- B. Insert one 2" sq. end cap (5) into the end of the VKR foot step (3) and apply one non-skid strip (4) as shown.
- C. Slide four 1-1/4" grips (6) onto the handles of the VKR frame (1).

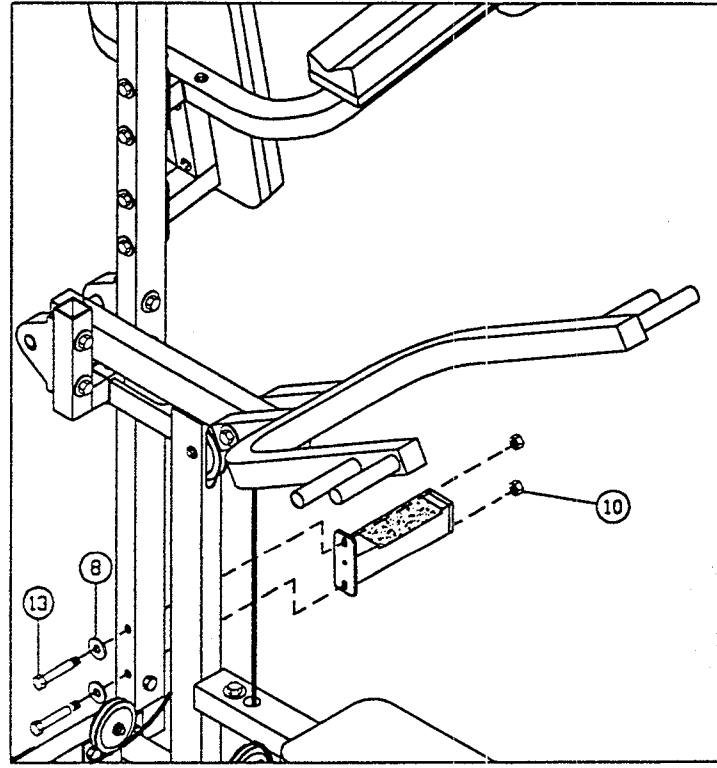
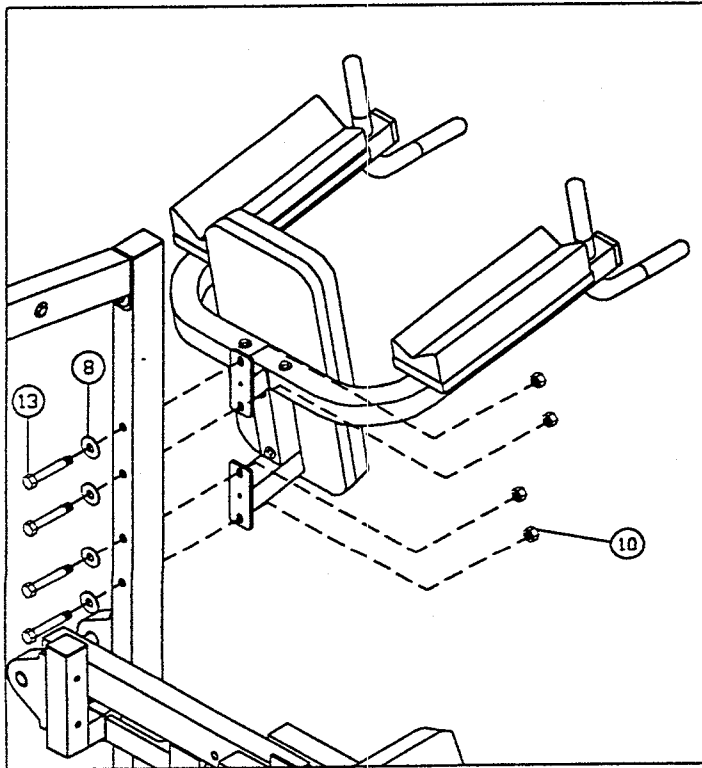
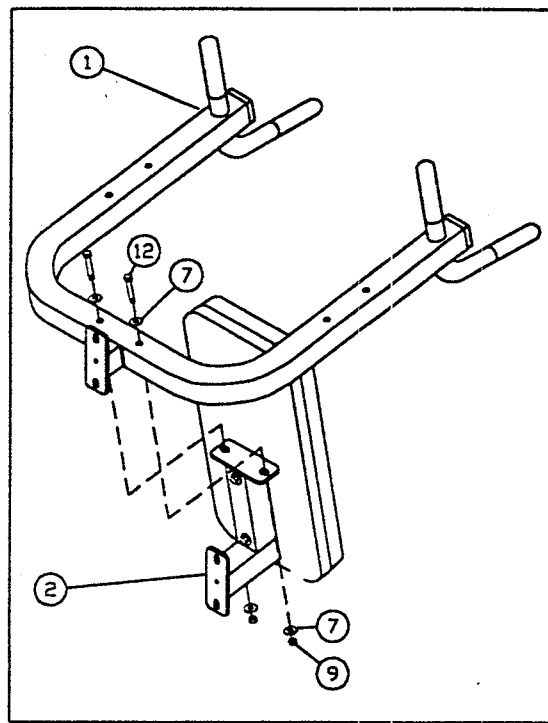


Step 2

- A. Securely attach two arm pads (15) to the VKR frame (1) using four 3/8 x 2-3/4" bolts (11) and four 3/8" washers (7).
- B. Securely attach back pad (14) to the VKR frame support (2) using two 3/8 x 2-3/4" bolts (11) and two 3/8" washers (7).

Step 3

- A. Loosely assemble the VKR frame support (2) to the VKR frame (1) using two 3/8 x 3" bolts (12), four 3/8" washers (7), and two 3/8" nylock nuts (9). (Note: This connection will be secured in STEP 4-B.)



Step 4

- A. Securely assemble the VKR frame (1) and the VKR frame support (2) to the rear upright of the 950 ST GYM as shown using four 1/2 x 4" bolts (13), four 1/2" washers (8), and four 1/2" nylock nuts (10).
- B. Securely tighten the VKR frame (1) and VKR frame support (2) connection.
- C. Securely attach the VKR foot step (3) to the rear upright of the 950 ST GYM as shown in drawing, using two 1/2 x 4" bolts (13), two 1/2" washers (8), and two 1/2" nylock nuts (10).