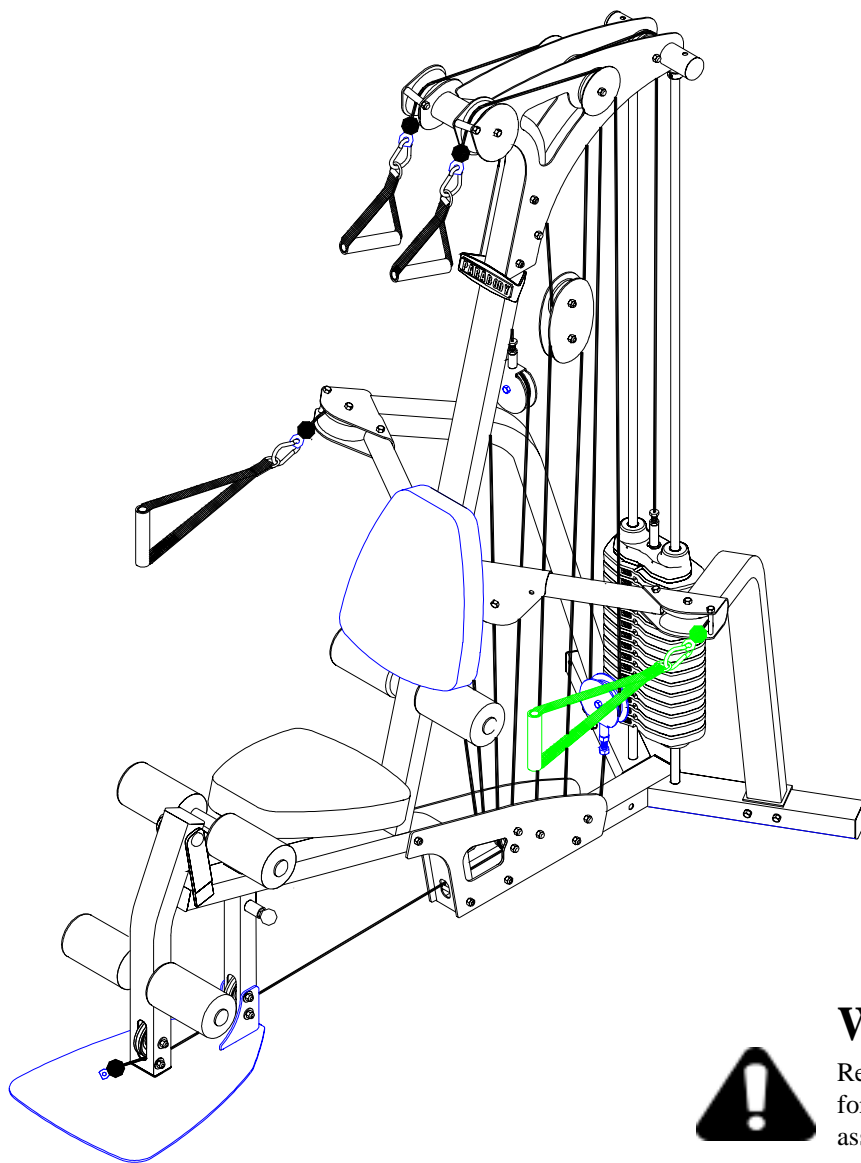


PARABODY®

777101 GYM SYSTEM



WARNING:

Read and follow all directions for each step to insure proper assembly of this product.

USER'S GUIDE

TABLE OF CONTENTS

Safety Statement.....	2	Parts list.....	5
General Notes.....	3	Assembly Instructions.....	6-25
Tools Required.....	3	General Maintenance.....	26
Gym Layout.....	4	Warranty Statement.....	27
		Product Services.....	28
		Insert-Registration Card	

IMPORTANT SAFETY INFORMATION



THERE IS A RISK ASSUMED BY INDIVIDUALS WHO USE THIS TYPE OF EQUIPMENT. TO MINIMIZE RISK FOLLOW THESE RULES!

1. Before using, read all the warnings and instructions on the use of this machine. Use only for intended exercise. **DO NOT** modify the machine.
2. Obtain a medical exam before beginning any exercise program.
3. Keep body and clothing free of all moving objects.
4. Inspect the machine before use. **DO NOT** use it if it appears damaged. **DO NOT** attempt to fix a broken or jammed machine. Notify your authorized ParaBody dealer before use and have repairs made by an authorized service technician.
5. Be certain that weight pin is completely inserted. Use only the pin provided by the manufacturer. If unsure, call your authorized ParaBody dealer.
6. Never pin the weights or prop plate into an elevated position. **DO NOT** use the machine if found in this condition. **DO NOT** attempt to fix. Notify your authorized ParaBody dealer.
7. Inspect cables and their connections before using machine. Pay particular attention to the cable ends. **DO NOT** attempt to fix. Notify your authorized ParaBody dealer before use and have repairs made by an authorized service technician.
8. Make sure all spring loaded pull pins are fully engaged in the adjustment position and fully tighten thumbscrew before use.
9. Children must not be allowed near this machine. Supervise teenagers.

NOTE: In a continual effort to improve our products, specifications are subject to change

© 2001 Life Fitness, a division of Brunswick Corporation. All rights reserved.

ParaBody is a trademark of Brunswick Corporation

www.parabody.com

IMPORTANT NOTES

Please note:

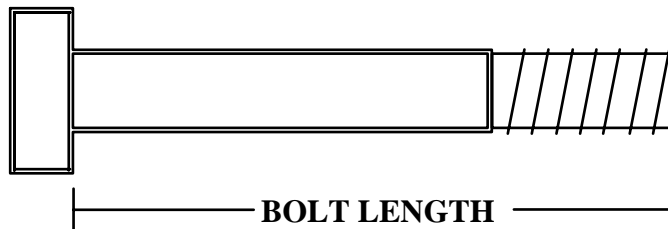
- * Thank you for purchasing the ParaBody 777 Gym System. Please read these instructions thoroughly and keep them for future reference.
- * This product must be assembled on a flat, level surface to assure its proper function.
- * Do not securely tighten any frame connections until the entire frame have been assembled unless otherwise specified.

Tools Required for Assembly

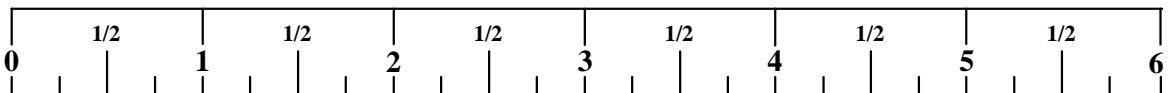
- * Rubber mallet or hammer
- * 3/4" wrench
- * 9/16" wrench
- * Ratchet with 3/4" and 9/16" sockets
- * 5/32" Allen wrench
- * Adjustable wrench
- * Tape measure

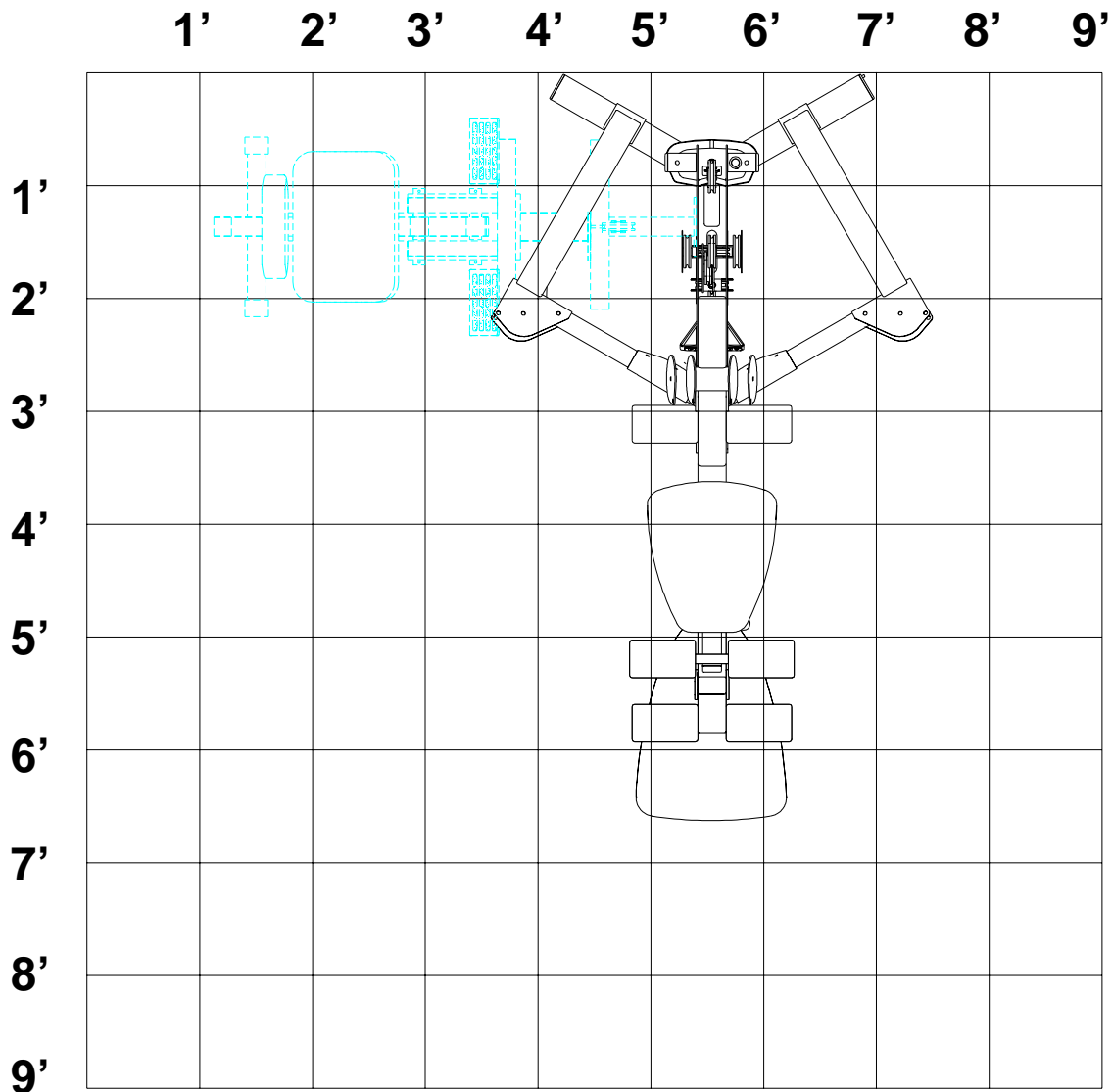
Bolt Length Ruler

NOTE: BOLT LENGTH IS MEASURED FROM THE UNDERSIDE OF THE HEAD OF THE BOLT.



BOLT LENGTH RULER:





1 Square = 1' X 1'

Minimum Required Usable Space

Length = 90 inches (229 cm) 7' 6"
 Width = 103 inches (262 cm) 8' 7"
 Height = 84 inches (213.5 cm) 7'

Dimensions Including Leg Press (optional)

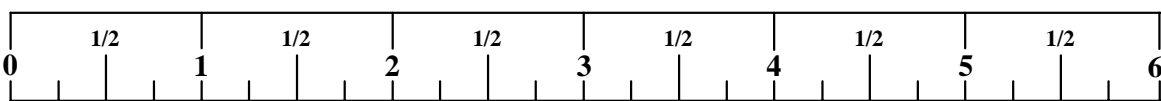
Length = 90 inches (229 cm) 7' 6"
 Width = 130 inches (330 cm) 10' 10"

PARTS LIST

KEY	PART #	DESCRIPTION	QTY	KEY	PART #	DESCRIPTION	QTY
1	70077	BASE	1	34	3102503	3/4" FLAT WASHER	2
2	70076	UPRIGHT	1	35	6409101	ANKLE STRAP	1
3	70058	SEATADJUST	1	36	3103302	SHAFT COLLAR	2
4	70014	RIGHT ARM SUPPORT	1	37	3116201	3-1/2" PULLEY	15
5	70015	LEFT ARM SUPPORT	1	38	3116101	4-1/2" PULLEY	2
6	70017	RIGHT ARM	1	39	6993701	4-1/2" V-GROOVE PULLEY	4
7	70019	LEFT ARM	1	40	6412001	SPRING PIN ASSEMBLY	1
8	70056	LEG PEDESTAL	1	41	3103801	SNAP LINK	6
9	70067	PULLEY BRACKET	2	42	6416601	PARAGLIDE (QTY 8)	1
10	69408	PULLEY PLATE	2	43	6145801	3 PRONG KNOB	1
11	69885	BASE PLATE	2	44	3105401	STARLOCK	6
12	69954	V-PULLEY PLATE	2	45	3108901	PLASTIC WASHER	2
13	69957	BOOM PULLEY PLATE	2	46	6866801	1/2" RH WASHER	2
14	70082	RIGHT BOOM PLATE	1	47	6866601	RH CAP	2
15	70083	LEFT BOOM PLATE	1	48	6480301	3/8" X 9/16" FLANGE SPACER	2
16	69947	PAD	2	49	6480302	3/8 X 1-1/16" FLANGE SPACER	2
17	6194601	ROLLER PAD	6	50	6122702	3/8 X 1/2" SPACER	6
18	6816501	76" GUIDE ROD	2	51	6122701	3/8" X 1" SPACER	11
19	7016902	14-1/2" SEWN HANDLE	2	52	6549301	3/4 X 17" TUBE	3
20	7016901	7-1/2" SEWN HANDLE	2	53	3102924	3/8 X 1-3/4" BOLT	4
21	6939202	WEIGHT PLATE	15	54	3102807	3/8 LOW HEIGHT LOCK NUT	2
22	6382301	WEIGHT PLATE BUSHING 10 CT	3	55	3102922	3/8 X 2-3/4" BOLT	16
23	69537	HEAD PLATE	1	56	3221902	2" NYLON SPACER	4
24	3221702	E-RING	1	57	3102905	3/8 X 3-3/4" BOLT	19
25	6978101	WEIGHT STACK LABEL	1	58	3102917	1/2 X 4" BOLT	1
26	7095701	WEIGHT PLATE SHAFT	1	59	6075906	12 LINK CHAIN	1
27	6972201	WEIGHT STACK PIN	1	60	3102906	3/8 X 4" BOLT	2
28	3108002	WEIGHT STACK CUSHION	2	61	3102930	3/8 X 7" BOLT	1
29	6987801	WEIGHT STACK CABLE	1	62	3102804	1/2" LOW HEIGHT LOCK NUT	1
30	6987901	LEG CABLE	1	63	3102802	3/8" LOCK NUT	36
31	6988001	ARM CABLE	1	64	3102501	3/8" FLAT WASHER	14
32	6988101	BOOM CABLE	1	65	6020601	1/2" FLANGE BEARING	2
33	7012102	WEIGHT STACK SPACER	2	66	70718	FOOT PLATE	1
				67	3102904	3/8 X 3" BOLT	2

The following parts are included with the 220 SHROUD OPTION

KEY	PART #	DESCRIPTION	QTY	KEY	PART #	DESCRIPTION	QTY
68	7051908	LEFT SHROUD	1	72	3202401	3/8 X 1" BUTTON HEAD BOLT	8
69	7052008	RIGHT SHROUD	1	73	3228501	3/8" BLACK SAE WASHER	8
70	7114908	TOP SHROUD BRACKET	1	74	3102903	3/8 X 2-1/2" BOLT	2
71	7115008	BOTTOM SHROUD BRACKET	1	75	3102802	3/8" LOCK NUT	2



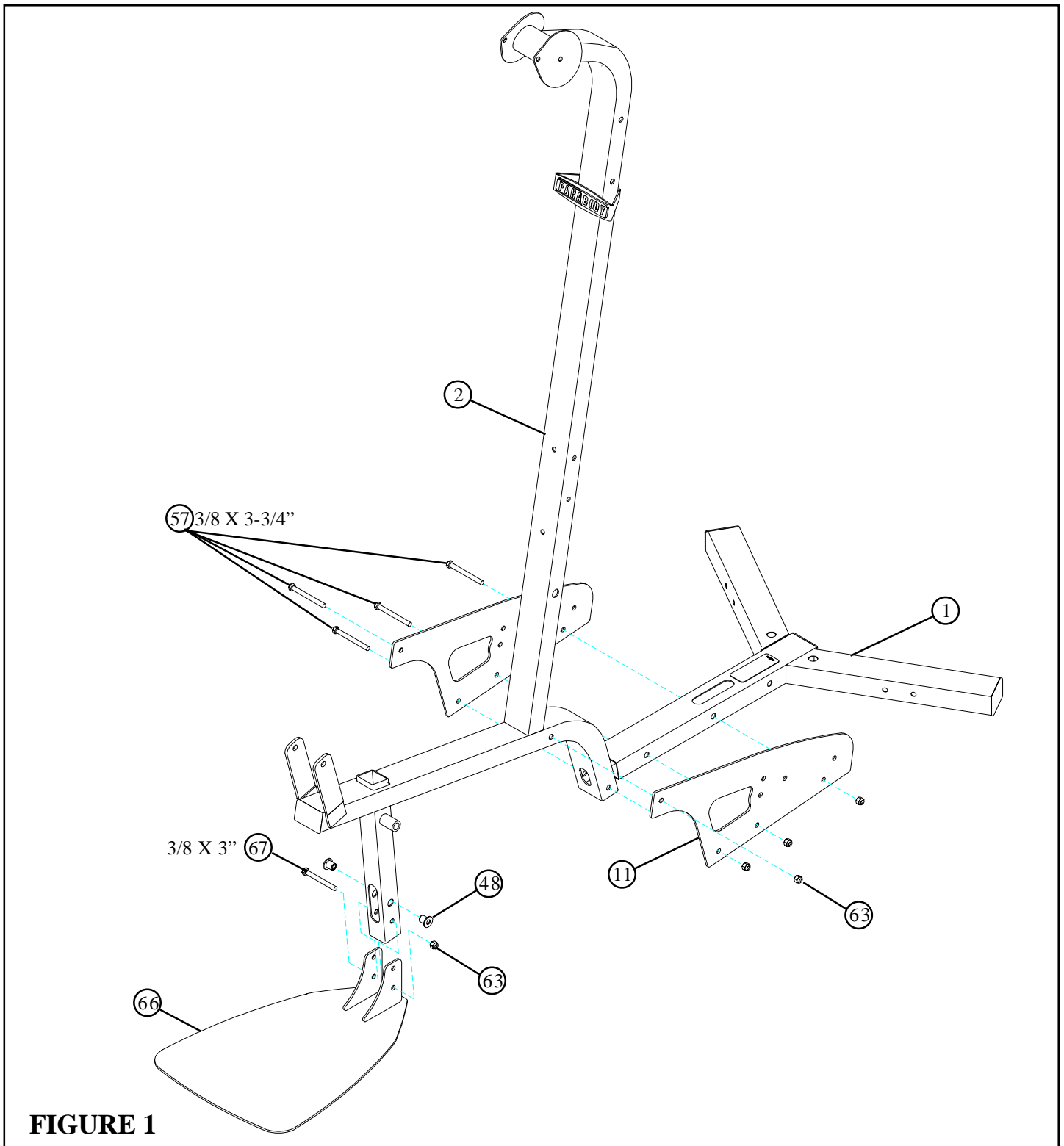
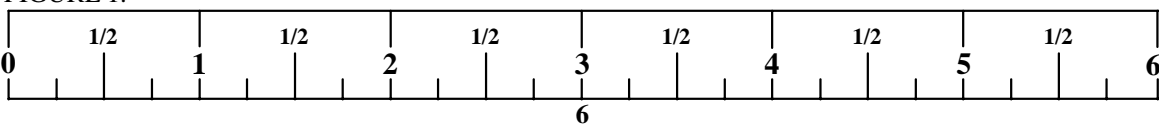


FIGURE 1

STEP 1:

- **LOOSELY** assemble two BASE PLATES (11) to the BASE (1) and the UPRIGHT (2) using four 3/8 X 3-3/4" BOLTS (57) and four 3/8" LOCK NUTS (63). See FIGURE 1.
- Insert two two 3/8 X 9/16" FLANGE SPACERS (48) into the upper hole of the FRAME (2) as shown.
- **LOOSELY** assemble the FOOTPLATE (66) to the FRAME (2) using one 3/8 X 3" BOLT (67) and one 3/8" LOCK NUT (63) as shown in FIGURE 1.



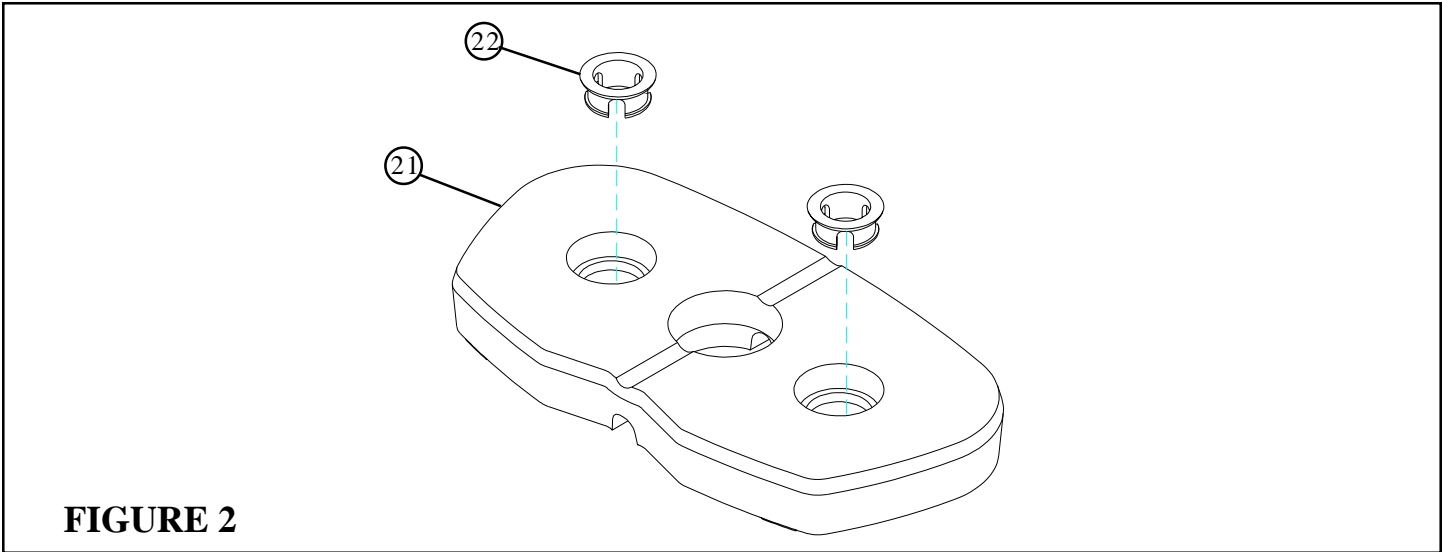


FIGURE 2

STEP 2:

- Insert two WEIGHT PLATE BUSHINGS (22) into each of the fifteen WEIGHT PLATES (21) as shown in FIGURE 2.

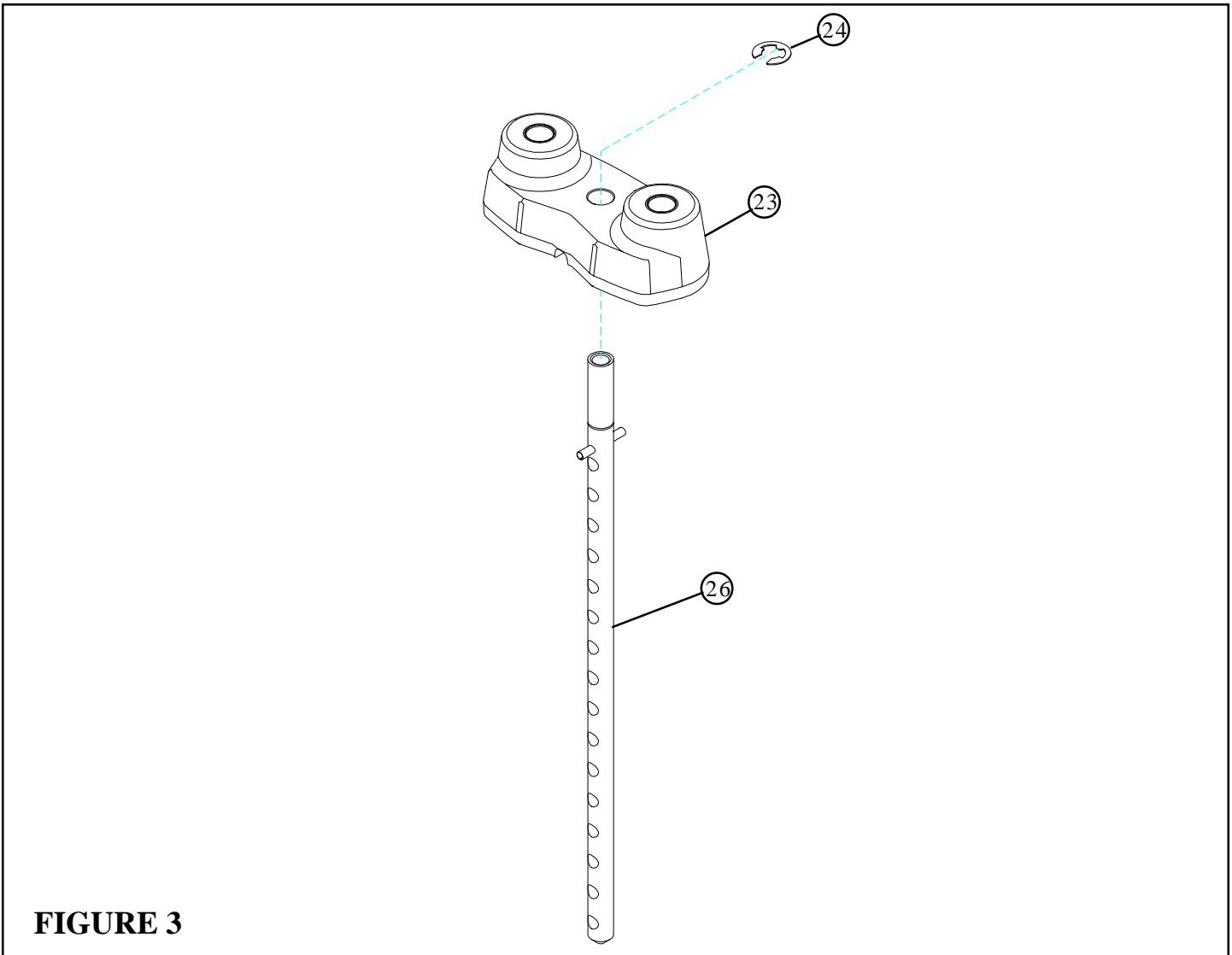


FIGURE 3

STEP 3:

- Slide the WEIGHT PLATE SHAFT (26) thru the hole in the HEAD PLATE(23), and lock in place using one E-RING (24) as shown in FIGURE 3.

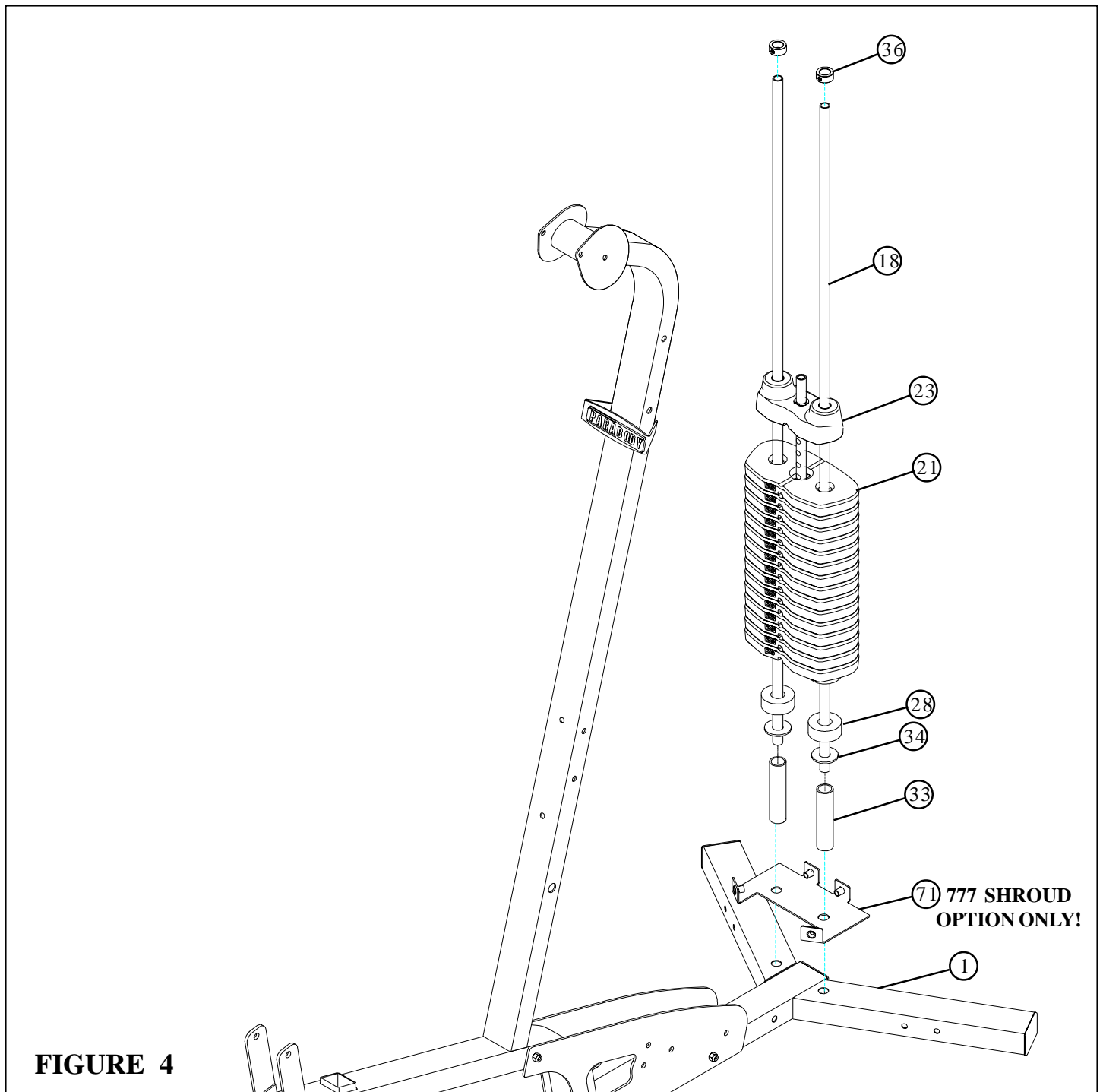
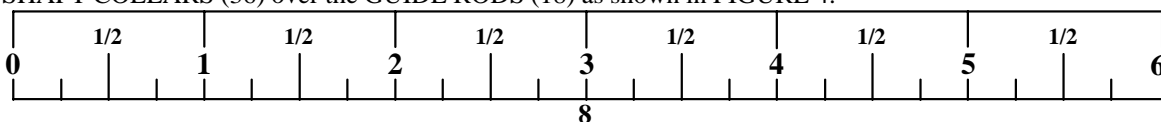
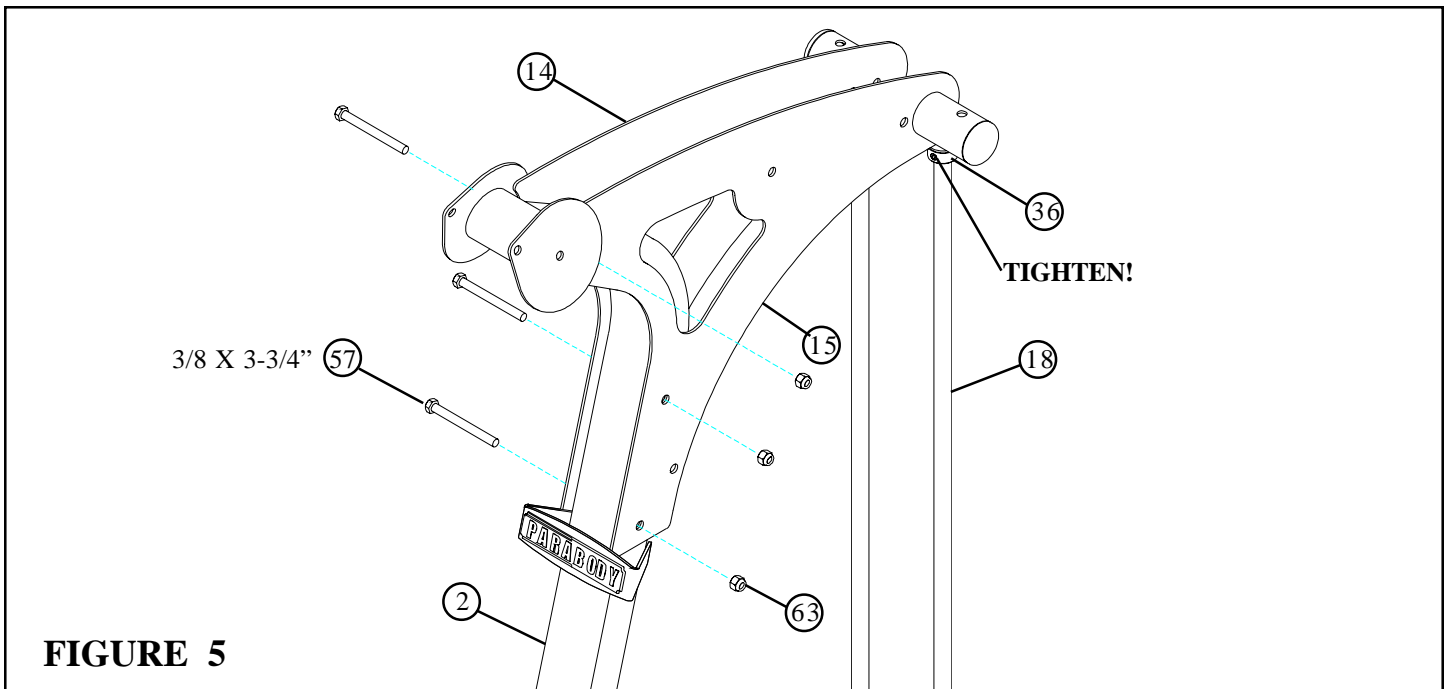


FIGURE 4

STEP 4:

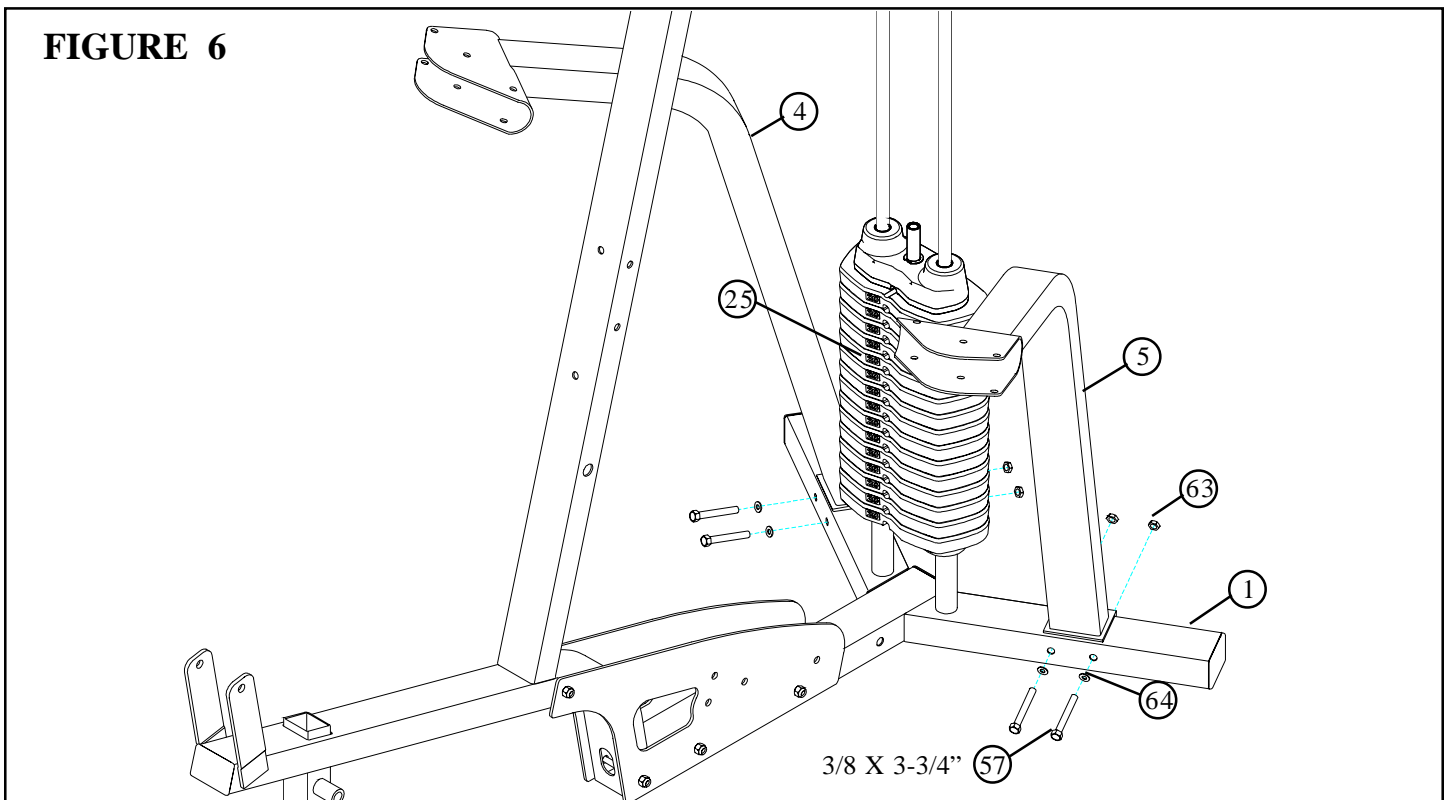
- Insert two **GUIDE RODS (18)** into the **BASE (1)** as shown on **FIGURE 4**. (**NOTE: If the 777 SHROUD OPTION was purchased, place the GUIDE RODS (18) through the BOTTOM SHROUD BRACKET (71) and into the BASE (1) as shown in FIGURE 4.**)
- (**NOTE: Lubricate GUIDE RODS (18) with silicon or teflon spray available at most hardware stores.**)
- Slide two **WEIGHT STACK SPACERS (33)**, two **3/4" FLAT WASHERS (34)**, and two **WEIGHT STACK CUSHIONS (28)** down over the **GUIDE RODS (18)**.
- Using **EXTREME CARE** slide all fifteen **WEIGHT PLATES (21)** down over the **GUIDE RODS (18)** on to the **WEIGHT STACK CUSHIONS (28)**. Make sure that the **WEIGHT PLATES (21)** are all facing as shown.
- Slide the head plate assembly down over the **GUIDE RODS (18)** onto the weight stack.
- Slide two **SHAFT COLLARS (36)** over the **GUIDE RODS (18)** as shown in **FIGURE 4**.





STEP 5:

- Swing the GUIDE RODS (18) into the guide rod bushings in each of the RIGHT and LEFT UPRIGHT PLATES (14 & 15) as shown in FIGURE 5.
- **LOOSELY** assemble the RIGHT and LEFT UPRIGHT PLATES (14 & 15) to the UPRIGHT (2) using three 3/8 X 3-3/4" BOLTS (57) and three 3/8" LOCK NUTS (63). See FIGURE 5.
- Slide the SHAFT COLLARS (36) to the top of the GUIDE RODS (18) and tighten set screws as shown in FIGURE 5.



STEP 6:

- **LOOSELY** assemble the RIGHT and LEFT ARM SUPPORTS (4 & 5) to the BASE (1) using four 3/8 X 3-3/4" BOLTS (57), four 3/8" FLAT WASHERS (64), and four 3/8" LOCK NUTS (63). See FIGURE 6.
- Apply WEIGHT STACK LABELS (25) to the WEIGHT PLATES (21) as shown in FIGURE 6.

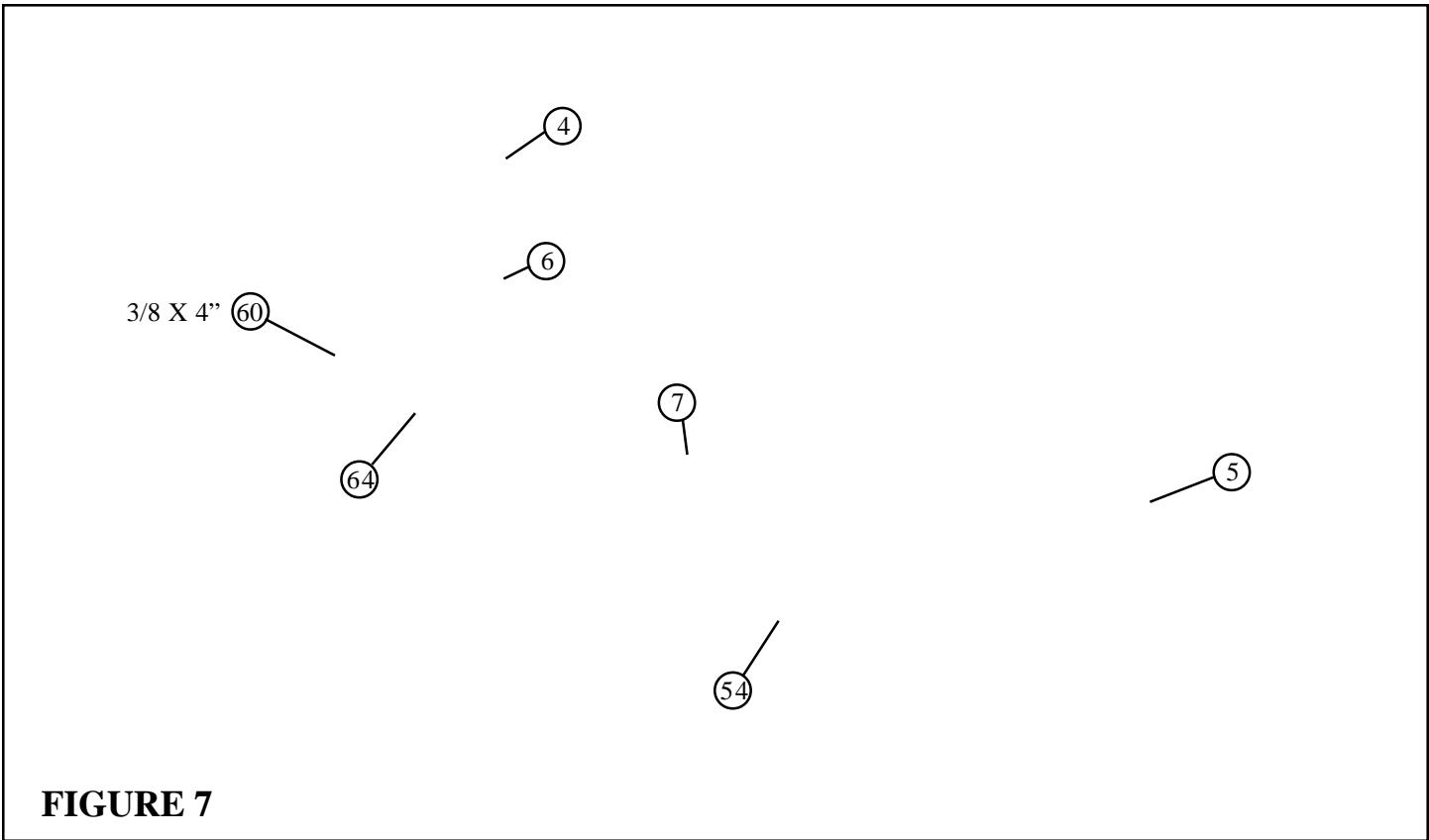


FIGURE 7

STEP 7:

- **LOOSELY** assemble the RIGHT and LEFT ARMS (6 & 7) to the UPRIGHT (2) and the RIGHT and LEFT ARM SUPPORTS (4 & 5) using two 3/8 X 4" BOLTS (60), four 3/8" FLAT WASHERS (64), and two 3/8" LOW HEIGHT LOCK NUTS (54). See FIGURE 7.

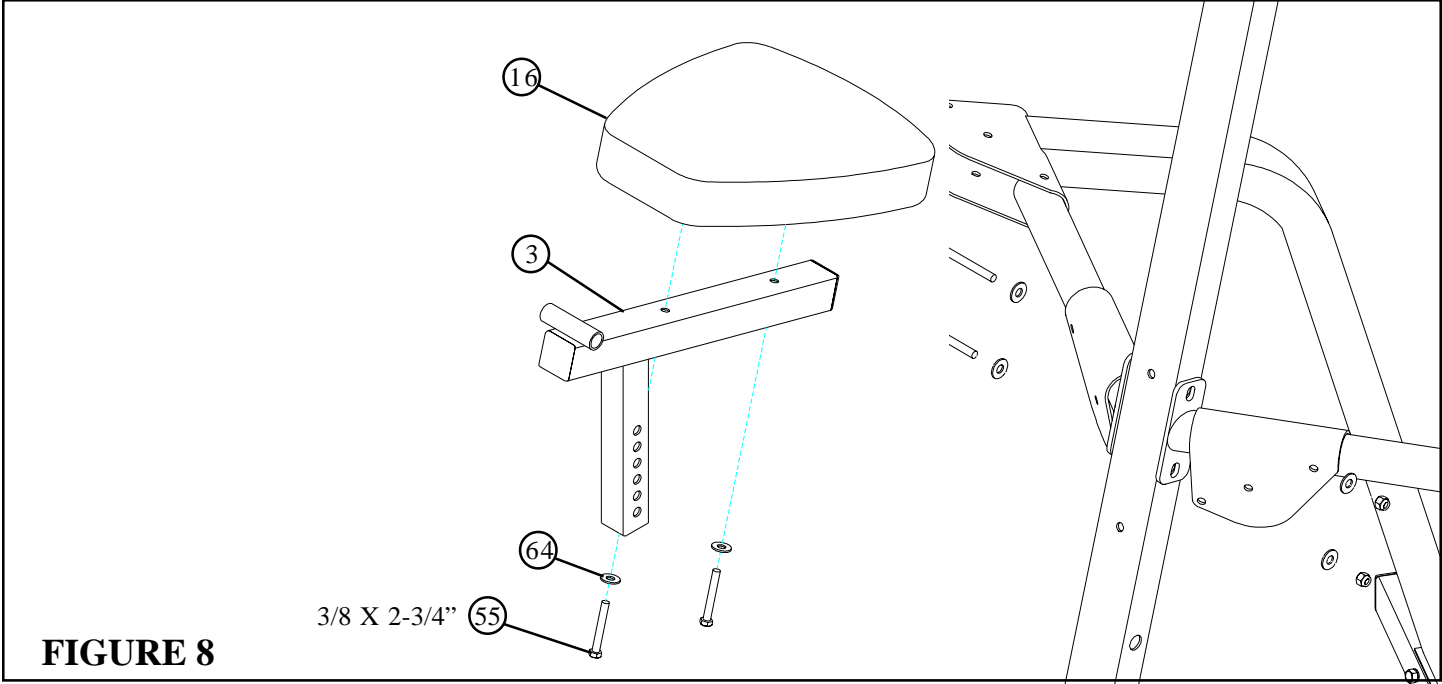
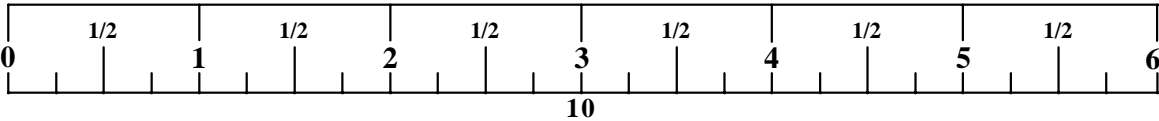


FIGURE 8

STEP 8:

- **SECURELY** assemble one SEAT PAD (16) to the SEAT ADJUST (3) using two 3/8 X 2-3/4" BOLTS (55) and two 3/8" WASHERS (64). See FIGURE 8.



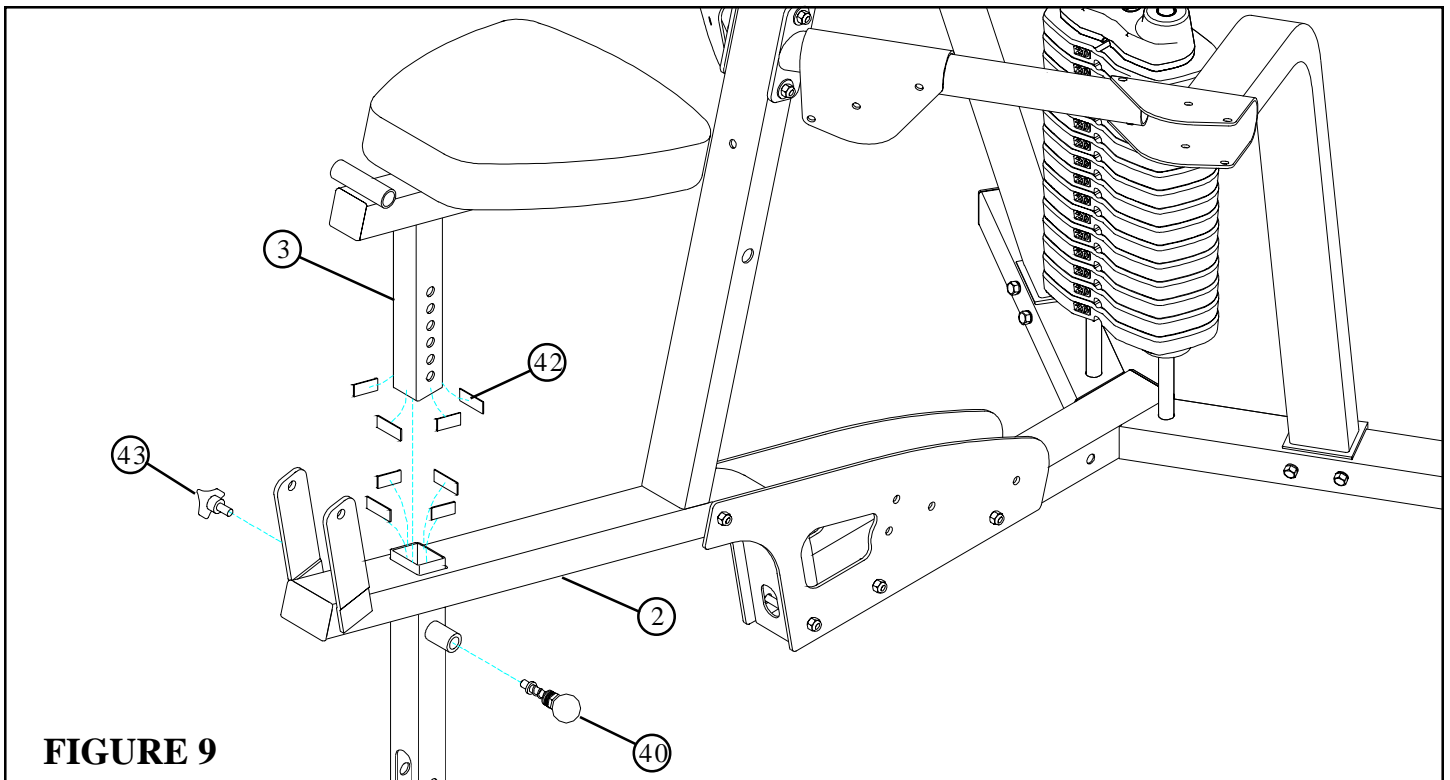


FIGURE 9

STEP 9:

- Securely assemble one SPRING PIN ASSEMBLY (40) and one 3 PRONG KNOB (43) to the FRONT UPRIGHT (2) as shown.
- Apply eight PARAGLIDES (42) to the **INSIDE** of the tube on the UPRIGHT (2) and on the **OUTSIDE** of the SEAT ADJUST (3) as shown.
- **CAREFULLY** insert the SEAT ADJUST ASSEMBLY into the UPRIGHT (2) as shown. The SEAT height can be adjusted using the SPRING PIN (40) and can be secured with the 3 PRONG KNOB (43).

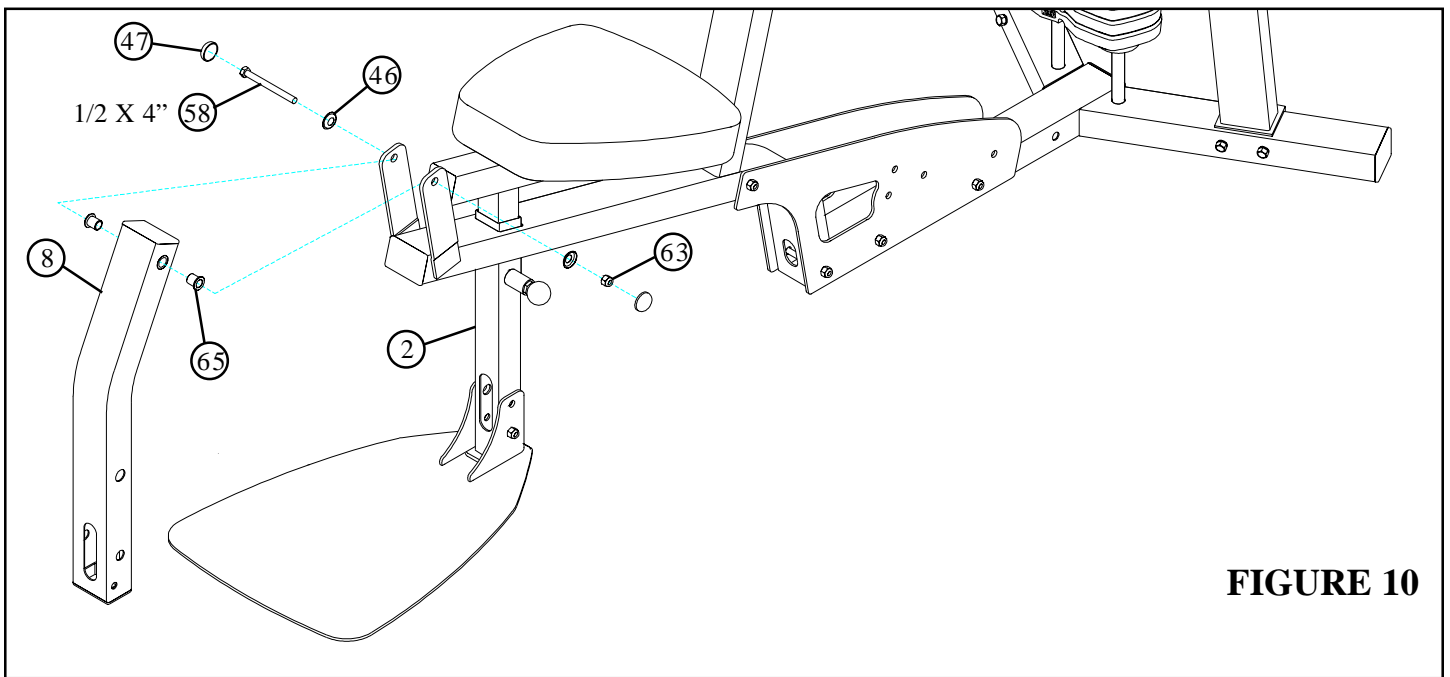


FIGURE 10

STEP 10:

- Insert two 1/2" FLANGE BEARINGS (65) into the the LEG PEDESTAL (8) as shown in FIGURE 10.
- Assemble the LEG PEDESTAL (8) to the UPRIGHT (2) using two RH CAPS (47), one 1/2 X 4" BOLT (58), two 1/2" RH WASHERS (46), and one 1/2" LOW HEIGHT LOCK NUT (62). (**Note: Tighten this connection enough to remove excess play yet allow the LEG PEDESTAL to rotate freely.**)

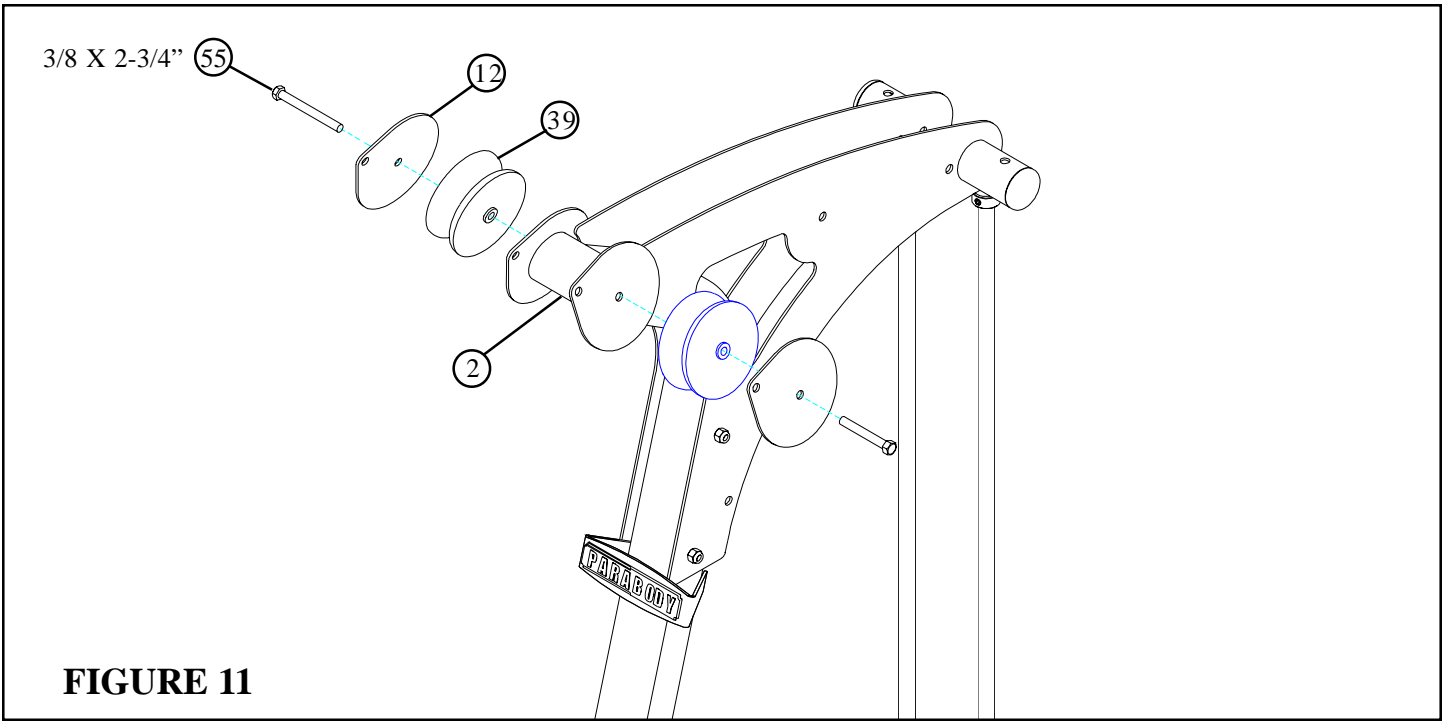


FIGURE 11

STEP 11:

- Assemble two V-PULLEY PLATES (12) and two 4-1/2" V-GROOVE PULLEYS (39) to the UPRIGHT (2) using two 3/8 X 2-3/4" BOLTS (55) . See FIGURE 11.

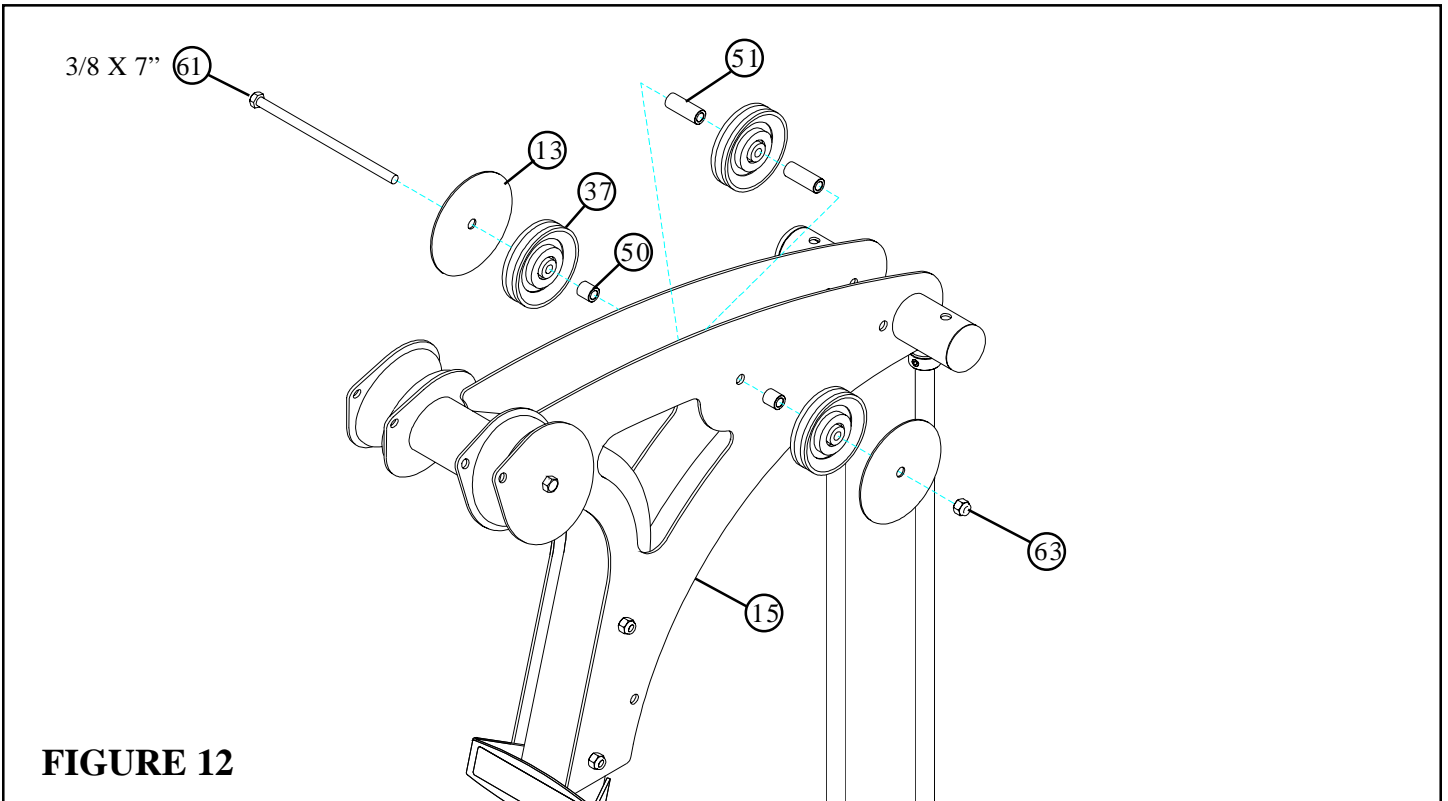
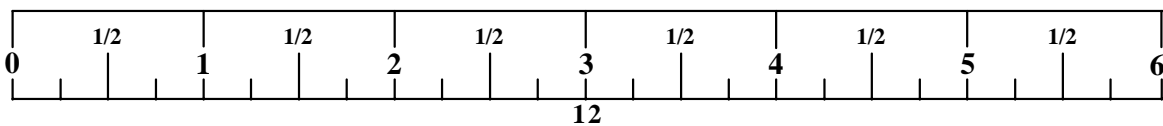


FIGURE 12

STEP 12:

- Assemble two BOOM PULLEY PLATES (13) and three 3-1/2" PULLEYS (37) to the BOOM PLATES (14 & 15) using one 3/8 X 7" BOLT (61), two 3/8 X 1/2" SPACERS (50), two 3/8 X 1" SPACERS (51) and one 3/8" LOCK NUT (63) . See FIGURE 12.



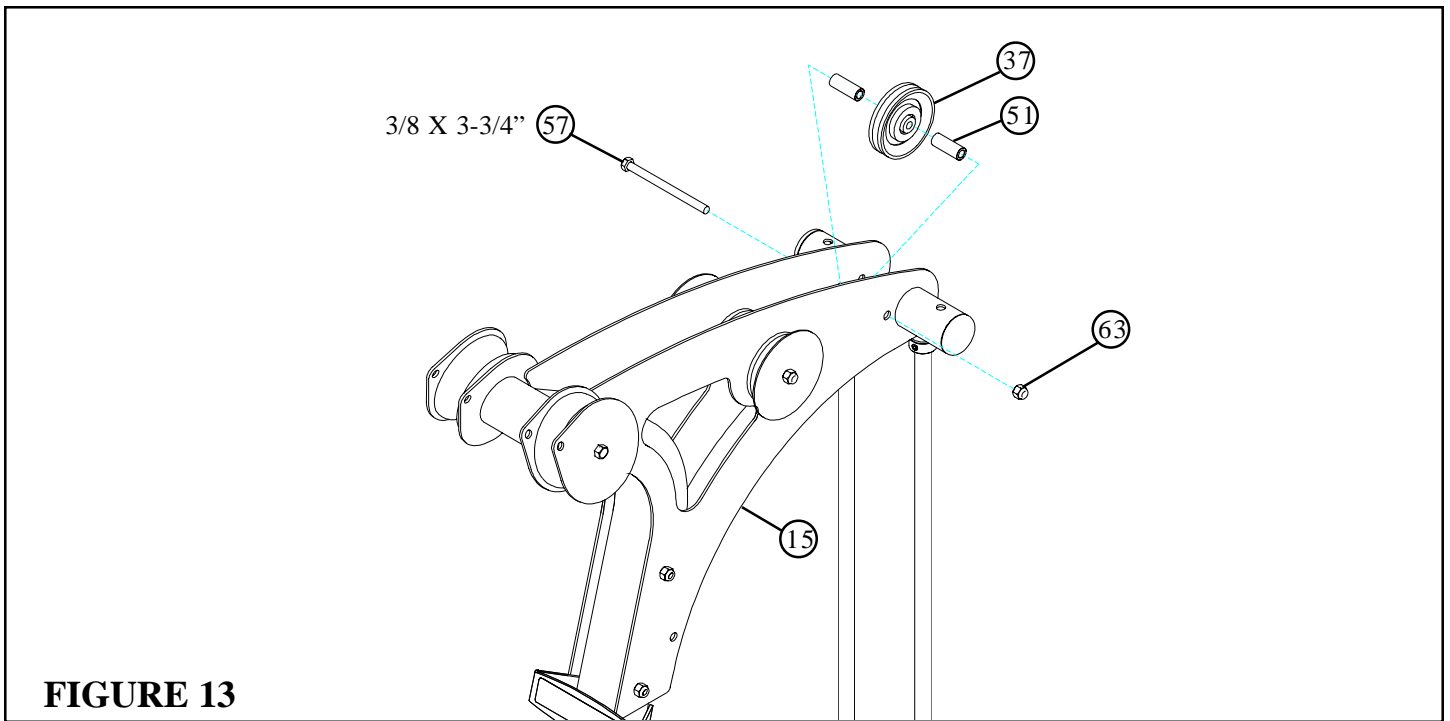


FIGURE 13

STEP 13:

- Assemble one 3-1/2" PULLEY (37) to the BOOM PLATES (14 & 15) using one 3/8 X 3-3/4" BOLT (57), two 3/8 X 1" SPACERS (51) and one 3/8" LOCK NUT (63). See FIGURE 13.

STEP 14:

- Assemble the WEIGHT STACK PIN (27) to the WEIGHT STACK SHAFT (26) as shown in FIGURE 14.
- Screw the long threaded end of the WEIGHT STACK CABLE (29) into the end of the WEIGHT PLATE SHAFT (26) .See FIGURE 14.
- Route the WEIGHT STACK CABLE (29) around the pulleys in the BOOM PLATES (14 & 15) as shown in FIGURE 14. **(NOTE: Make sure the cable runs in the grooves of the pulleys.)**
- Assemble two PULLEY PLATES (10) around one 3-1/2" PULLEY (37) using one 3/8 X 1-3/4" BOLT (53) and one 3/8" LOCK NUT (63) as shown in FIGURE 14. **(Note: Loop the CABLE around the PULLEY prior to assembling the PULLEY PLATES.)**

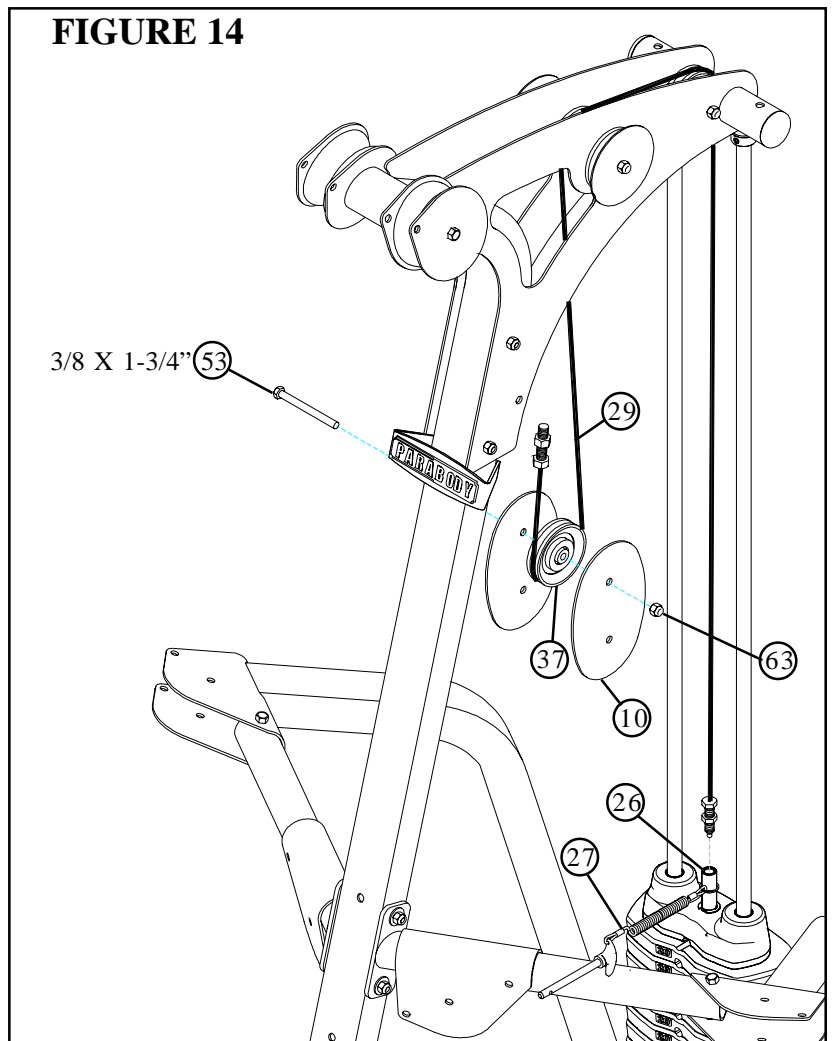


FIGURE 14

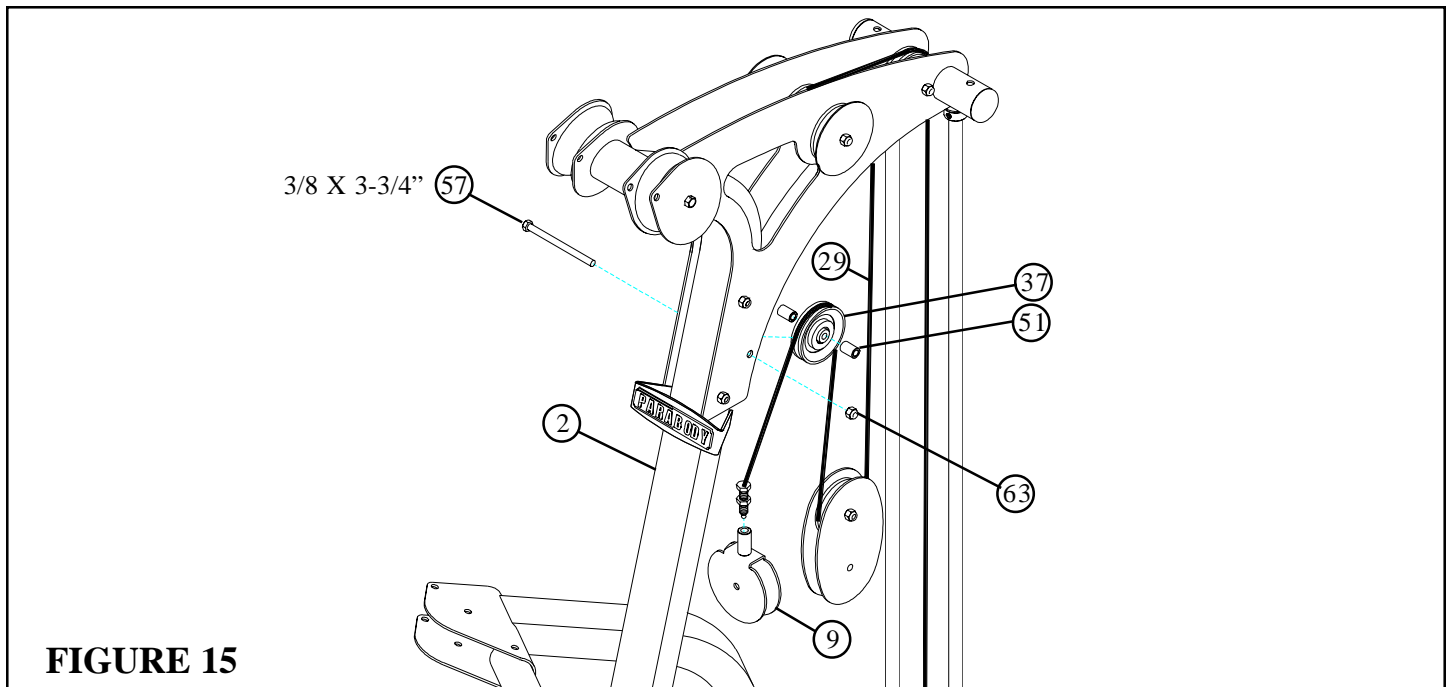


FIGURE 15

STEP 15:

- Assemble one 3-1/2" PULLEY (37) to the BOOM PLATES (14 & 15) using one 3/8 X 3-3/4" BOLT (57), two 3/8 X 1" SPACERS (51) and one 3/8" LOCK NUT (63). See FIGURE 15. (Note: Loop the WEIGHT STACK CABLE around the PULLEY prior to assembling to the BOOM PLATES.)
- Screw the short threaded end of the WEIGHT STACK CABLE (29) into the end of the PULLEY BRACKET (9) .See FIGURE 15.

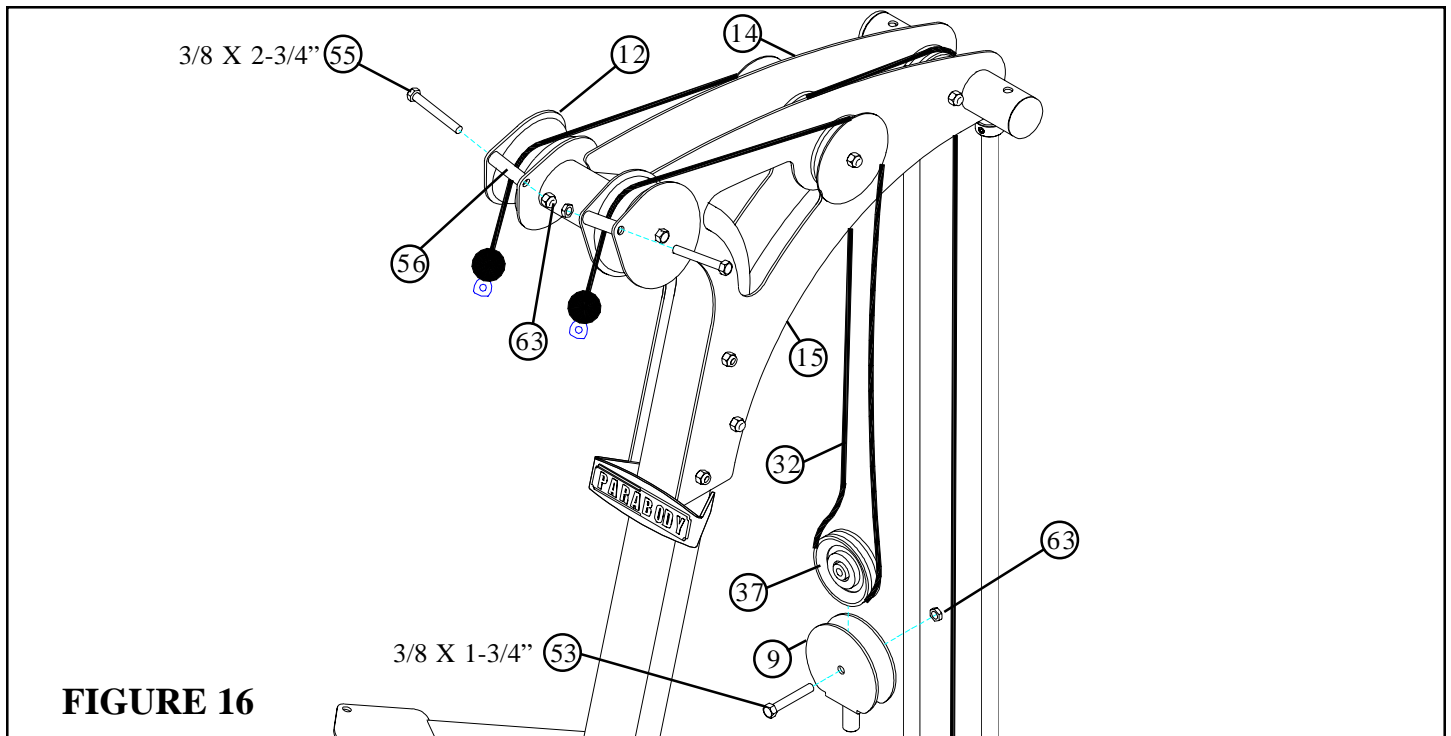
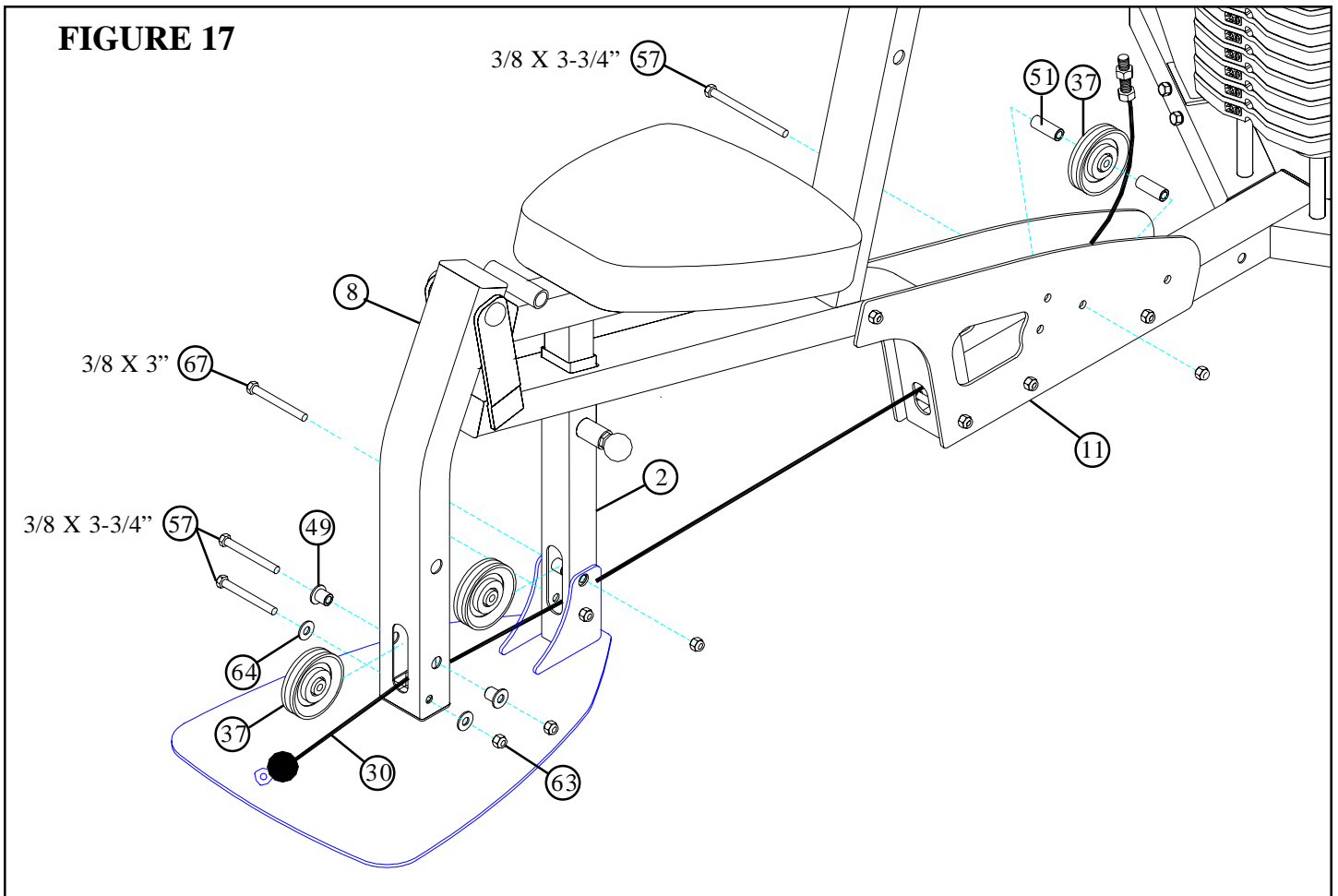


FIGURE 16

STEP 16:

- Route the BOOM CABLE (32) over the V-GROOVE PULLEY (39) and the 3-1/2" PULLEY (37) on the LEFT BOOM PLATE (15) and over the 3-1/2" PULLEY (37) on the RIGHT BOOM PLATE (14) and over the V-GROOVE PULLEY (39) as shown in STEP 16.
- **SECURELY** assemble two 2" NYLON SPACERS (56) to the V-PULLEY PLATES (12) and the BOOM PLATES (14 & 15) using two 3/8 X 2-3/4" BOLTS (55) and two 3/8" LOCK NUTS (63). See FIGURE 15.
- Assemble one 3-1/2" PULLEY (37) to the PULLEY BRACKET (9) using one 3/8 X 1-3/4" BOLT (53) and one 3/8" LOCK NUT (63) (Note: Loop the BOOM CABLE around the PULLEY prior to assembling the PULLEY BRACKET.)

FIGURE 17

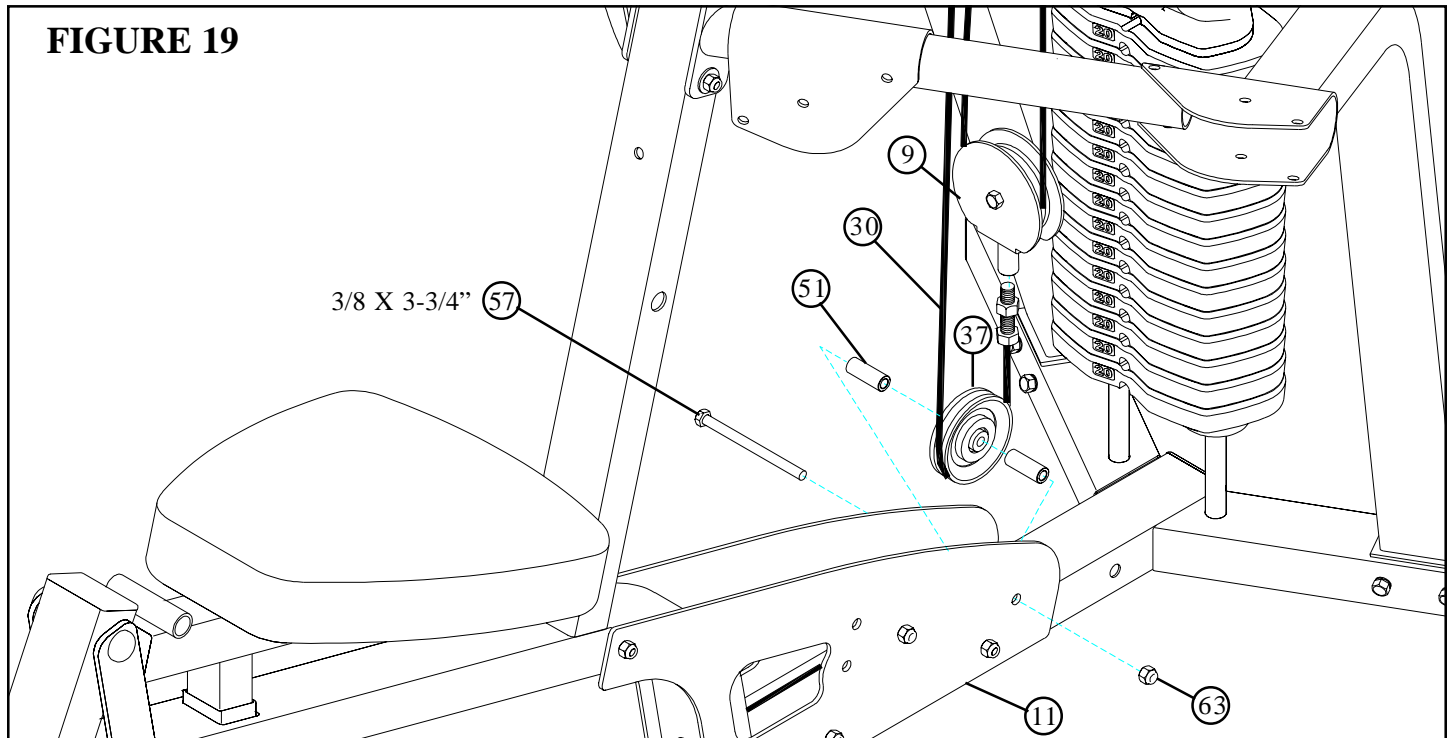
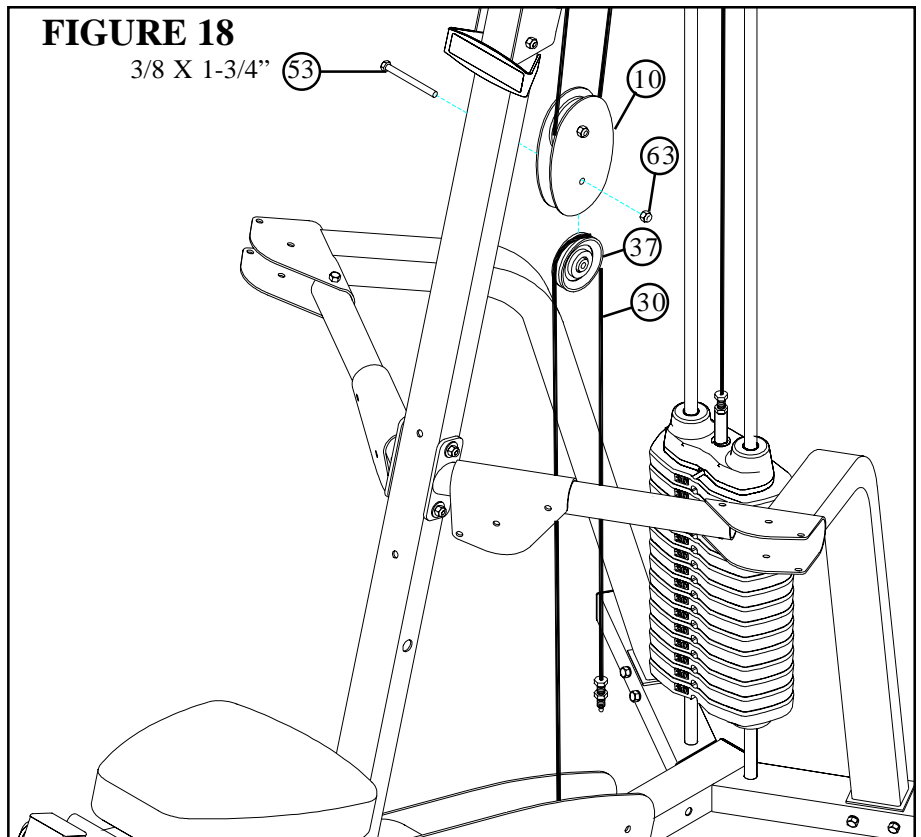


STEP 17:

- Securely assemble the ball end of the LEG CABLE (30) and one 3-1/2" PULLEY (37) to the LEG PEDESTAL (8) using two 3/8 X 3-3/4" BOLTS (57), two 3/8" X 1-1/16" FLANGE SPACERS (49), two 3/8" WASHERS (64), and two 3/8" LOCKNUTS (63). (NOTE: The LEG CABLE (91) must be routed over the retaining bolt as shown in FIGURE 17.)
- Securely assemble one 3-1/2" PULLEY (37) to the UPRIGHT (2) using one 3/8 X 3" BOLT (67) and one 3/8" LOCKNUT (63). (NOTE: The LEG CABLE (91) must be routed over the retaining bolt as shown in FIGURE 17.)
- Assemble one 3-1/2" PULLEY (37) to the BASE PLATES (11) using one 3/8 X 3-3/4" BOLT (57), two 3/8 X 1" SPACERS (51) and one 3/8" LOCK NUT (63). See FIGURE 17.(Note: Loop the LEG CABLE (30) around the PULLEY prior to assembling the PULLEY to the BASE PLATES.)

STEP 18:

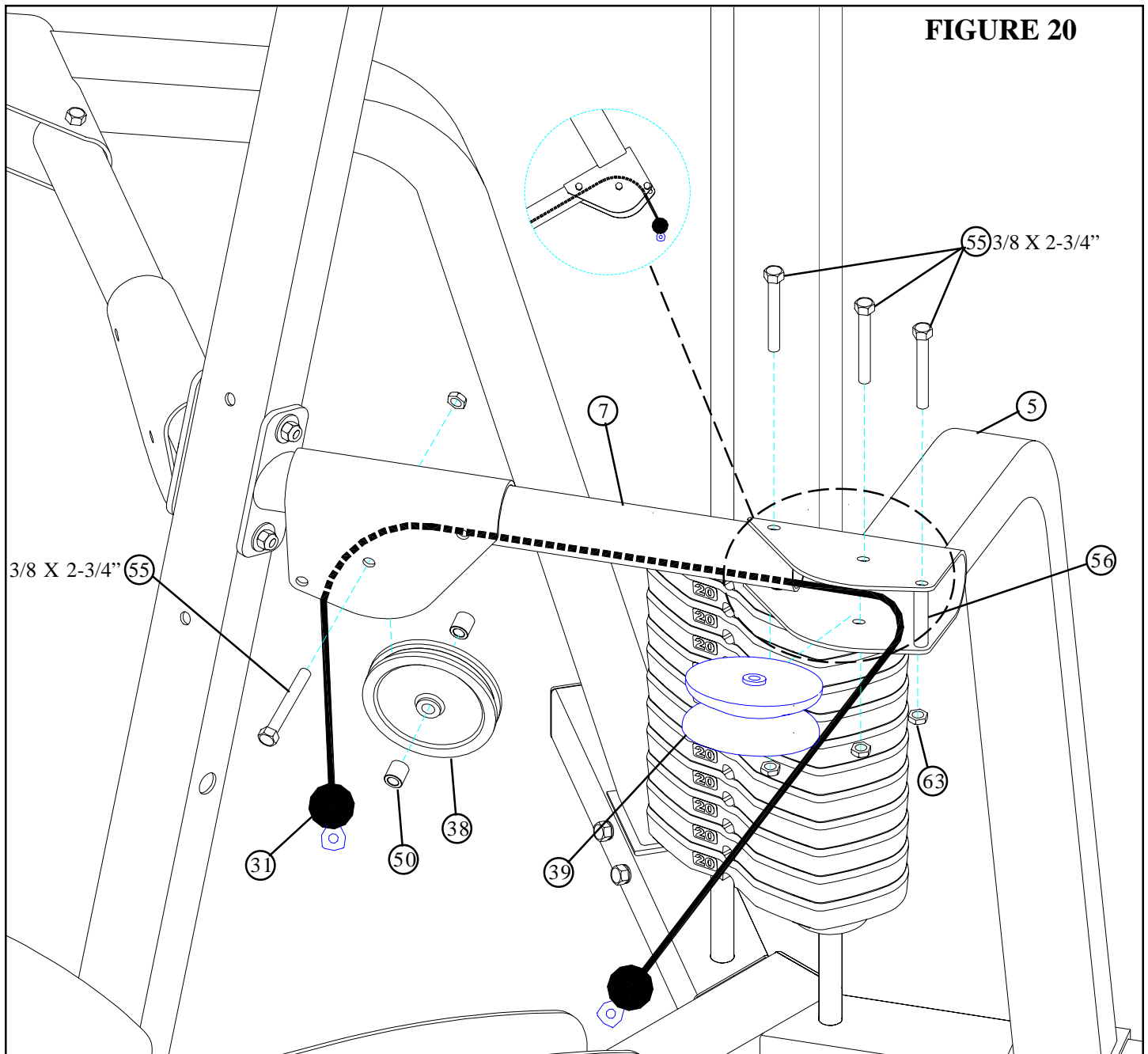
- Assemble one 3-1/2" PULLEY (37) to the PULLEY PLATES (10) using one 3/8 X 1-3/4" BOLT (53) and one 3/8" LOCK NUT (63) as shown in FIGURE 18. (**Note: Loop the CABLE around the PULLEY prior to assembling the PULLEY PLATES.**)



STEP 19:

- Assemble one 3-1/2" PULLEY (37) to the BASE PLATES (11) using one 3/8 X 3-3/4" BOLT (57), two 3/8 X 1" SPACERS (51) and one 3/8" LOCK NUT (63). See FIGURE 19. (**Note: Loop the LEG CABLE (30) around the PULLEY prior to assembling the BASE PLATES.**)
- Screw the threaded end of the LEG CABLE (30) into the end of the PULLEY BRACKET (9). See FIGURE 19.

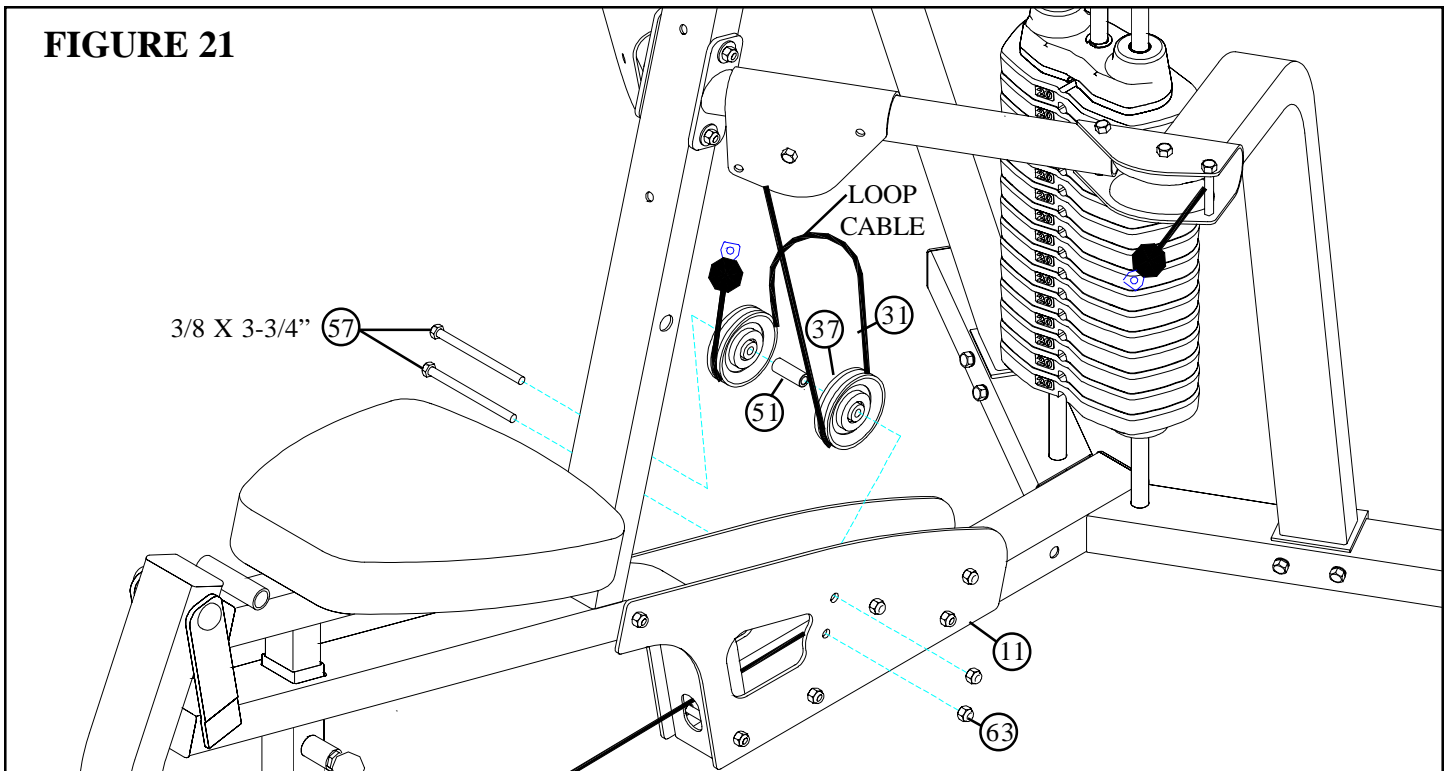
FIGURE 20



STEP 20:

- Route the ARM CABLE (31) through the LEFT ARM (7) as shown in FIGURE 20.
- Assemble one V-PULLEY (39) to the LEFT ARM SUPPORT (5) using one 3/8 X 2-3/4" BOLT (55) and one 3/8" LOCK NUT (63). See FIGURE 20. (**Note: Loop the ARM CABLE around the PULLEY prior to assembling the LEFT ARM SUPPORT.**)
- **SECURELY** assemble one 2" NYLON SPACER (56) to the LEFT ARM SUPPORT (5) using one 3/8 X 2-3/4" BOLT (55) and one 3/8" LOCK NUT (63). See FIGURE 20.
- Assemble the LEFT ARM (7) to the LEFT ARM SUPPORT (5) using one 3/8 X 2-3/4" BOLT (55) and one 3/8" LOCK NUT (63). See FIGURE 20. (**Note: Make sure the ARM CABLE runs in FRONT of the bolt as shown!.**)
- Assemble one 4-1/2" PULLEY (38) to the LEFT ARM (7) using one 3/8 X 2-3/4" BOLT (55), two 3/8 X 1/2" SPACERS (50) and one 3/8" LOCK NUT (63). See FIGURE 20. (**Note: Loop the ARM CABLE around the PULLEY prior to assembling the LEFT ARM.**)

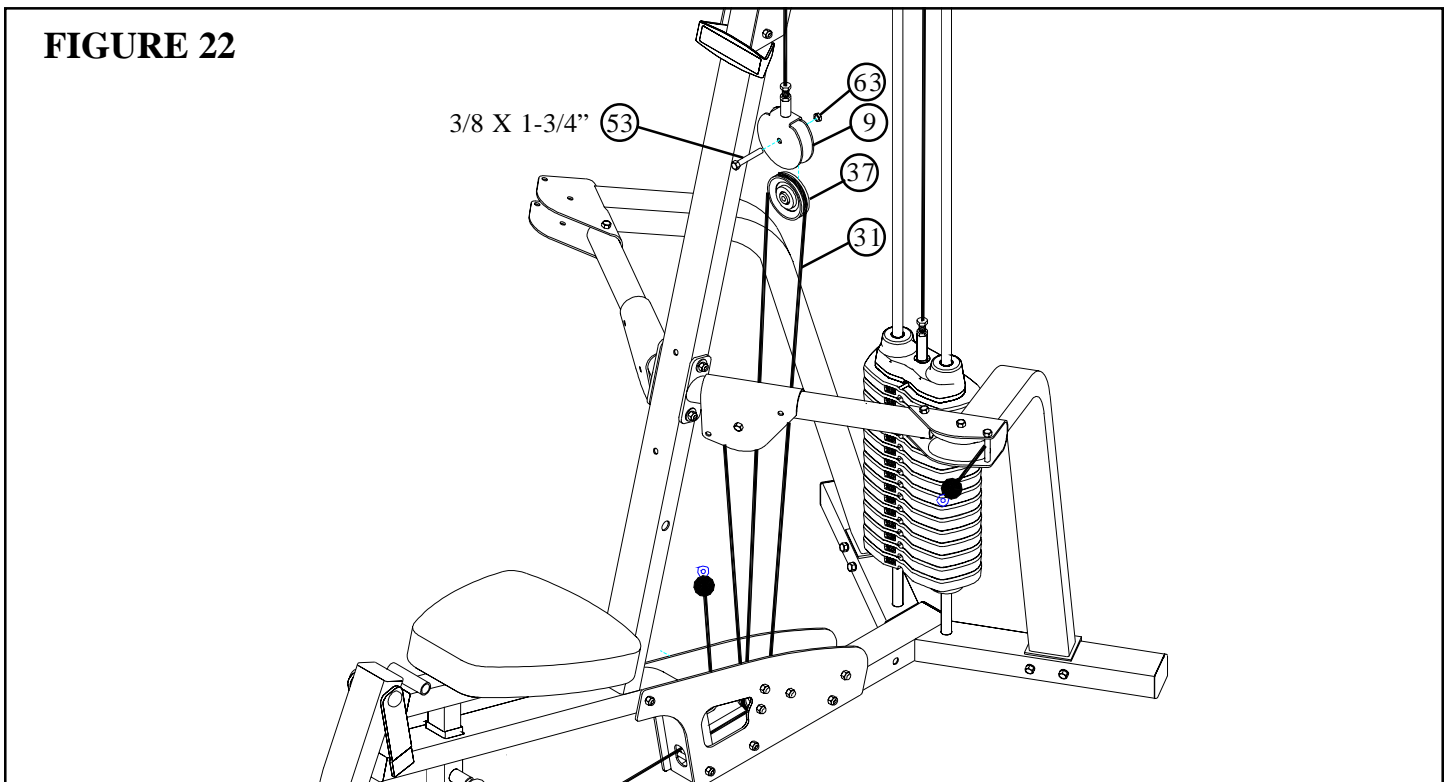
FIGURE 21



STEP 21:

- Assemble two 3-1/2" PULLEYS (37) to the BASE PLATES (11) using two 3/8 X 3-3/4" BOLTS (58), one 3/8 X 1" SPACER (51) and two 3/8" LOCK NUTS (63). See FIGURE 21. (Note: Loop the ARM CABLE (31) around the PULLEYS prior to assembling the PULLEYS. Leave a loop in the ARM CURL as shown!)

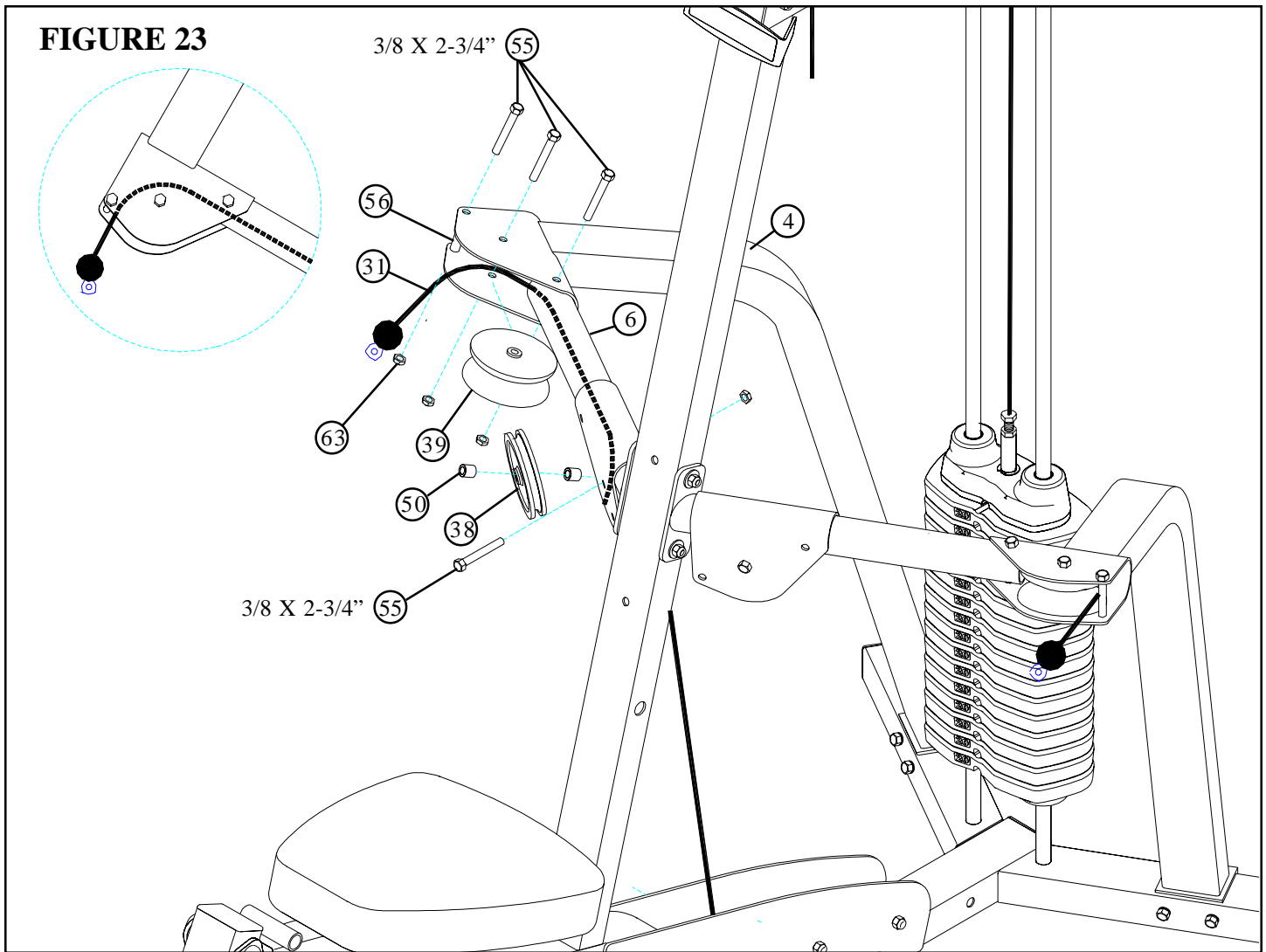
FIGURE 22



STEP 22:

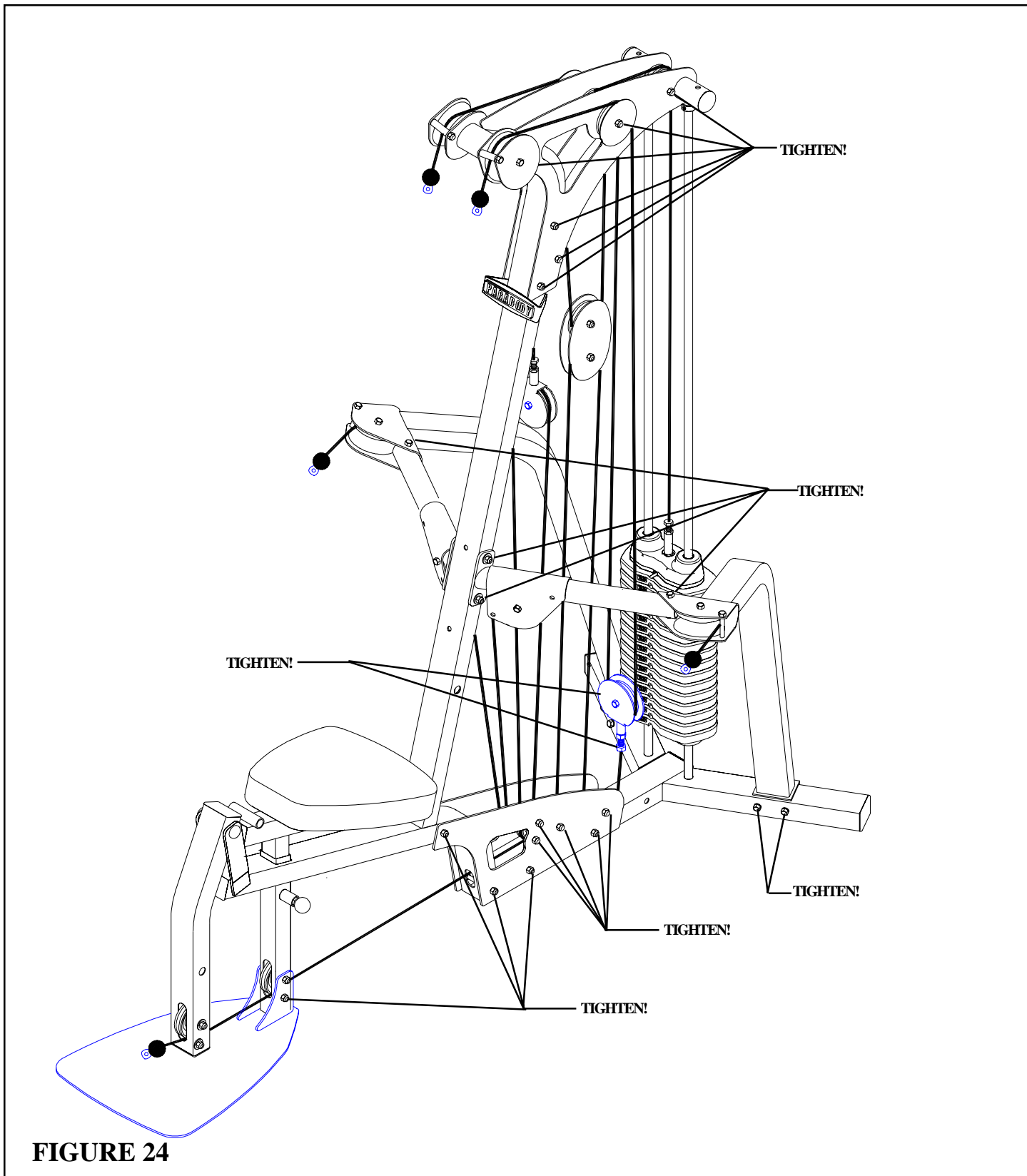
- Assemble one 3-1/2" PULLEY (37) to the PULLEY BRACKET (9) using one 3/8 X 1-3/4" BOLT (53) and one 3/8" LOCK NUT (63) (Note: Loop the ARM CABLE (31) around the PULLEY prior to assembling the PULLEY BRACKET.)

FIGURE 23



STEP 23:

- Route the ARM CABLE (31) through the RIGHT ARM (6) as shown in FIGURE 23.
- Assemble one 4-1/2" PULLEY (38) to the RIGHT ARM (6) using one 3/8 X 2-3/4" BOLT (55), two 3/8 X 1/2" SPACERS (50) and one 3/8" LOCK NUT (63). See FIGURE 23. (**Note: Loop the ARM CABLE around the PULLEY prior to assembling the RIGHT ARM.**)
- Assemble one V-PULLEY (39) to the RIGHT ARM SUPPORT (4) using using one 3/8 X 2-3/4" BOLT (55) and one 3/8" LOCK NUT (63). See FIGURE 23. (**Note: Loop the ARM CABLE around the PULLEY prior to assembling the RIGHT ARM SUPPORT.**)
- **SECURELY** assemble one 2" NYLON SPACER (56) to the RIGHT ARM SUPPORT (4) using one 3/8 X 2-3/4" BOLT (55) and one 3/8" LOCK NUT (63). See FIGURE 23.
- Assemble the RIGHT ARM (6) to the RIGHT ARM SUPPORT (4) using one 3/8 X 2-3/4" BOLT (55) and one 3/8" LOCK NUT (63). See FIGURE 20. (**Note: Make sure the ARM CABLE runs in FRONT of the bolt as shown!.**)



STEP 24:

- **SECURELY** tighten all loose frame connections as shown in FIGURE 24!

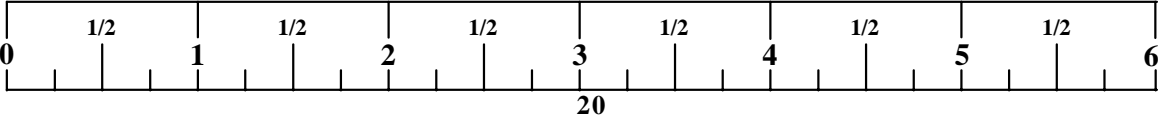
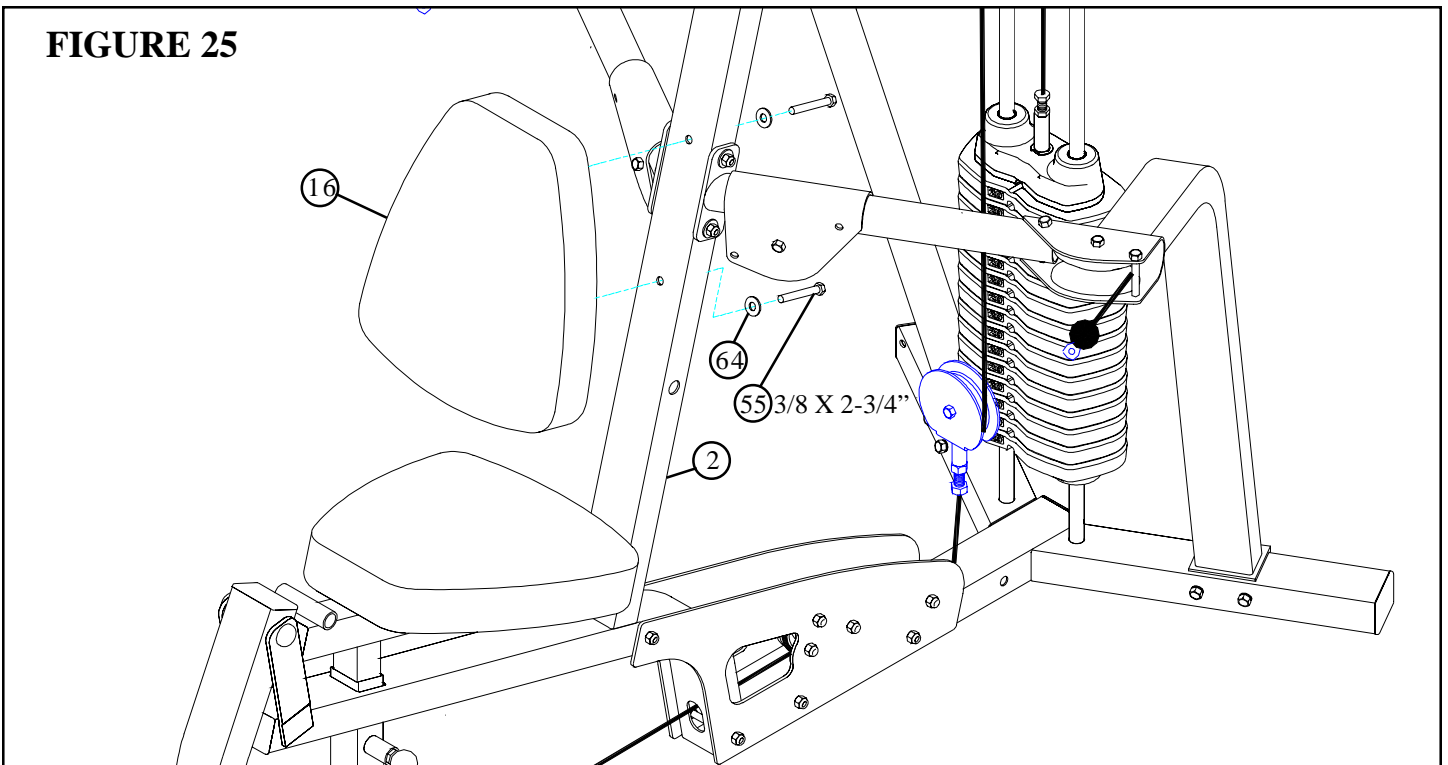


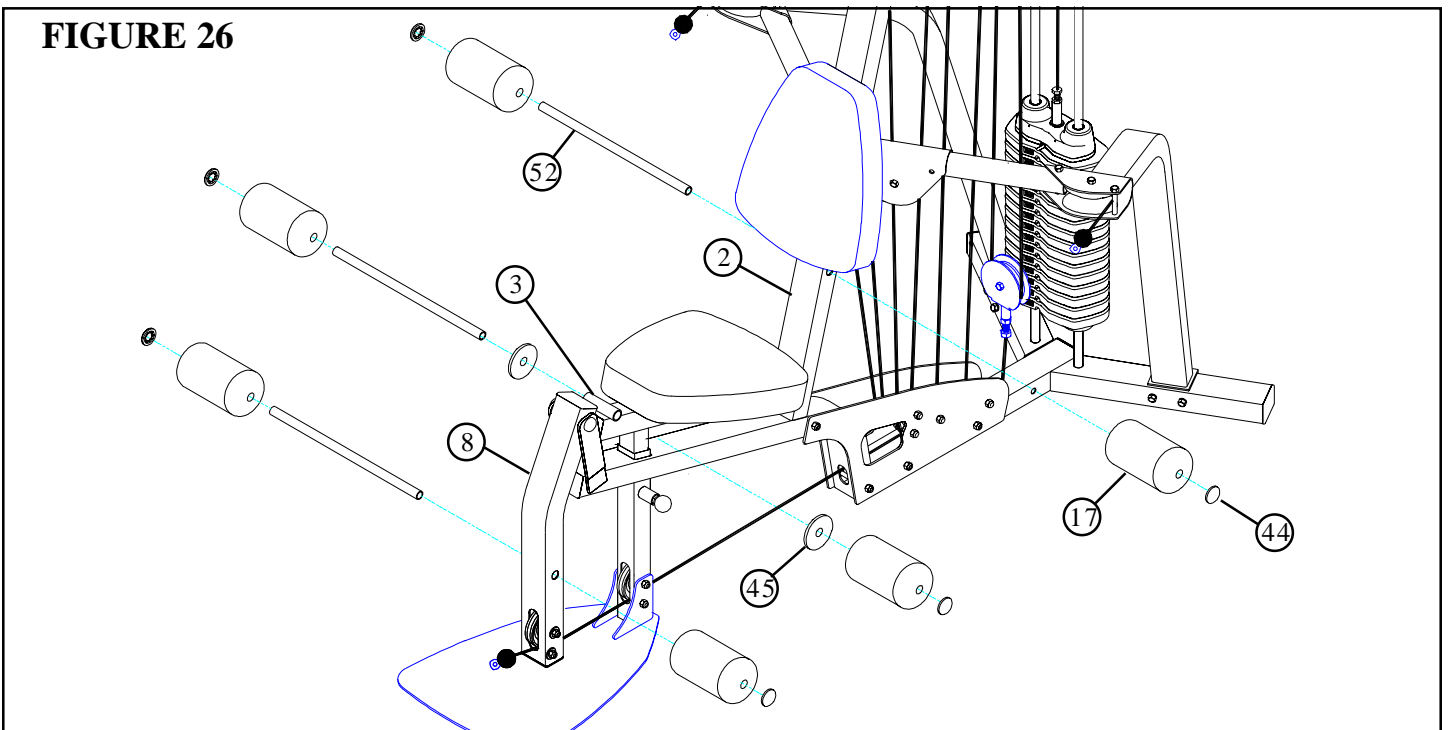
FIGURE 25



STEP 25:

- **SECURELY** assemble one SEAT PAD (16) to the UPRIGHT (2) using two 3/8 X 2-3/4" BOLTS (55) and two 3/8" WASHERS (64). See FIGURE 25.

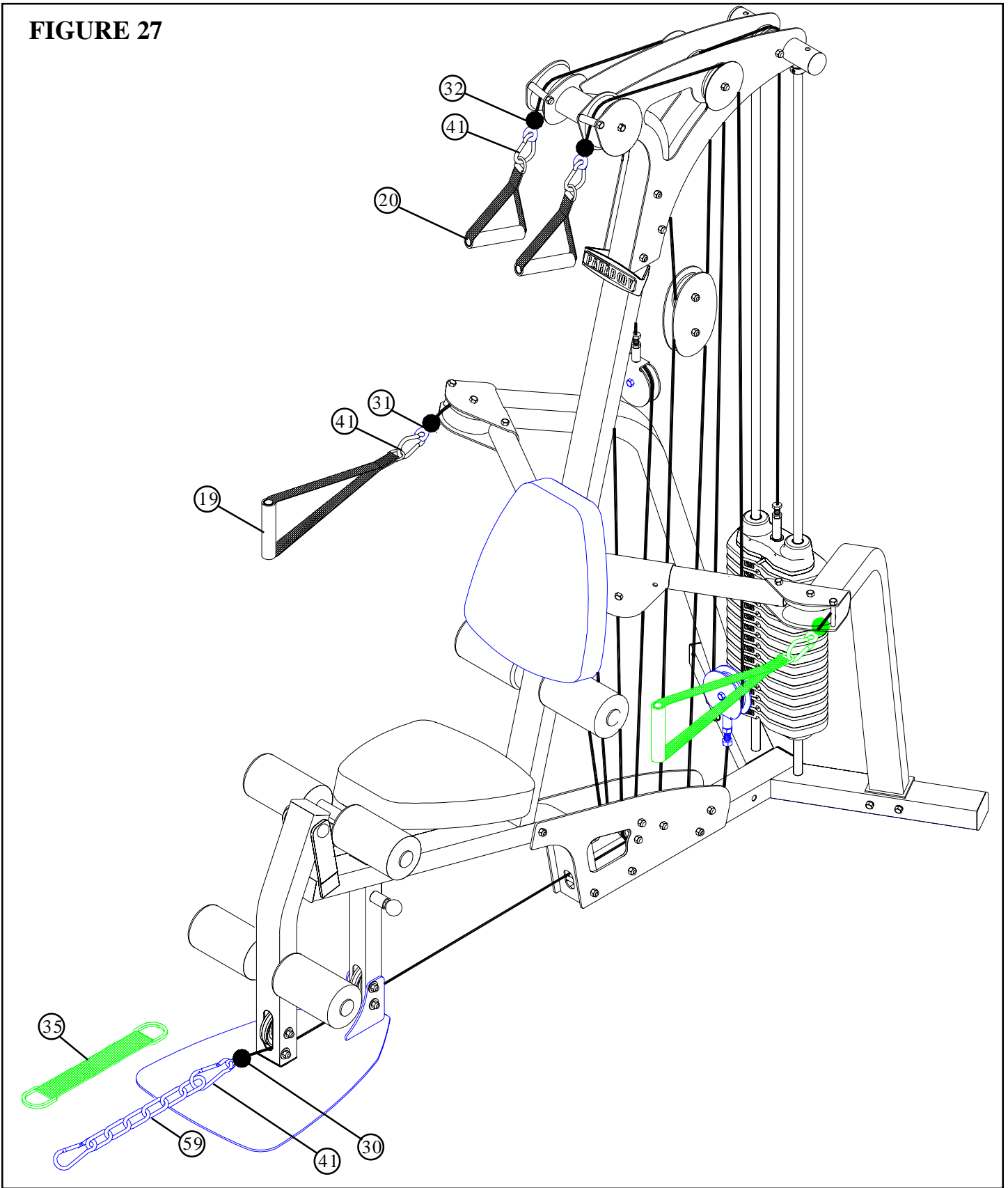
FIGURE 26



STEP 26:

- Assemble two ROLLER PADS (17) to the LEG PEDESTAL (8) using one 3/4 X 17" TUBE (52) and two 3/4" STARLOCK COLLARS (44) as shown in FIGURE 26.
- Assemble two ROLLER PADS (17) to the SEAT ADJUST (3) using one 3/4 X 1" TUBE (52), two PLASTIC WASHERS (45) and two 3/4" STARLOCK COLLARS (44) as shown in FIGURE 26.
- Assemble two ROLLER PADS (17) to the UPRIGHT (2) using one 3/4 X 17" TUBE (52) and two 3/4" STARLOCK COLLARS (44) as shown in FIGURE 26.

FIGURE 27



STEP 27:

- Assemble two 14-1/2" SEWN HANDLES (19) to the ARM CABLE (31) using two SNAP LINKS (41) as shown in FIGURE 27.
- Assemble two 7-1/2" SEWN HANDLES (20) to the BOOM CABLE (32) using two SNAP LINKS (41) as shown in FIGURE 27.
- Assemble the ANKLE STRAP (35) to the LEG CABLE (30) using two SNAP LINKS (41) and one 12-LINK CHAIN (59) as shown in FIGURE 27.

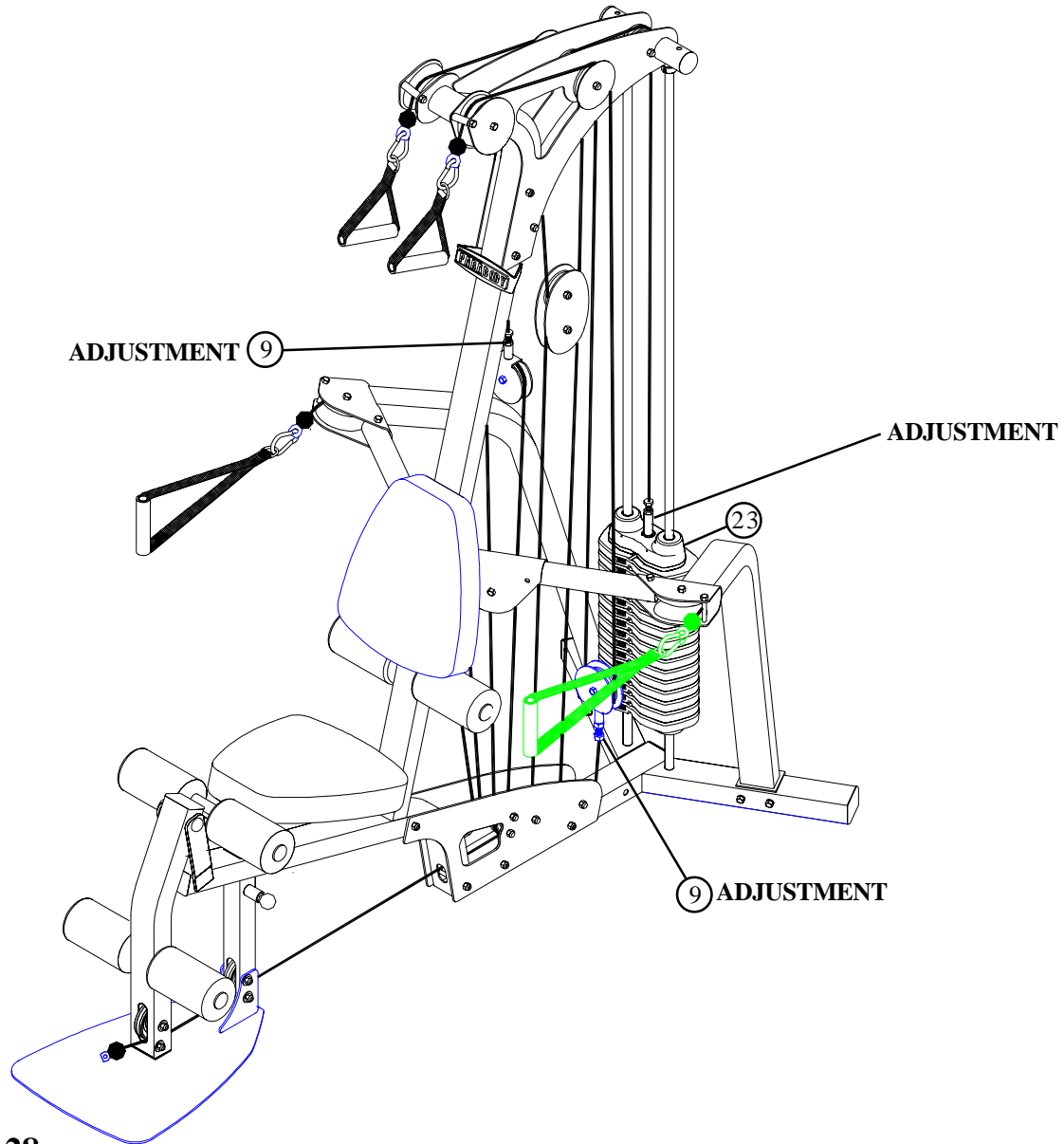


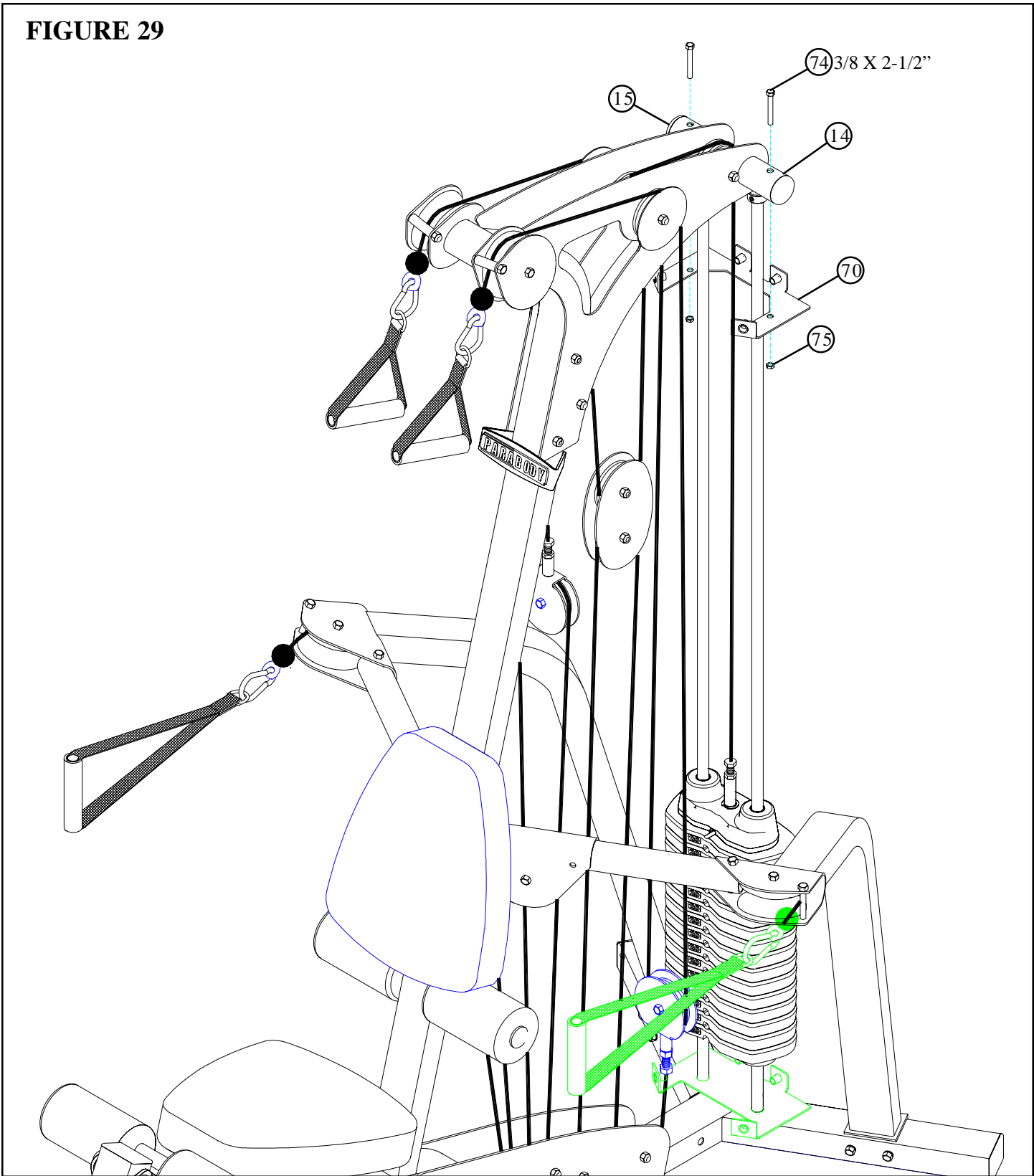
FIGURE 28

STEP 28:

- Adjustments can be made in the above locations to set the correct amount of tension in the cables.
- If upon completion of assembly, the HEAD PLATE (23) does not sit on top of the first WEIGHT PLATE (21), push the HEAD PLATE (23) down, insert the WEIGHT STACK PIN (27) and perform several repetitions. This will relax the cable system and prevent the HEAD PLATE (23) from lifting up. See FIGURE 28
- If after completing the previous step, the HEAD PLATE (23) still does not sit on top of the first WEIGHT PLATE (21) or if there is excess slack in the cable system, adjust the threaded ends of the CABLES attached to the PULLEY BRACKETS (9) accordingly and retighten the jam nuts. See figure 28.
- For maximum performance, the HEAD PLATE (23) should just barely sit on the top WEIGHT PLATE (21)
- **NOTE: After making adjustments make sure all jam nuts are SECURELY TIGHTENED!**
- **This completes the assembly of the 777 Gym System. If the 777 SHROUD OPTION was purchased proceed to STEP 29.**

Thank you for purchasing the ParaBody 777101 Gym System. If unsure of proper use of equipment, call your local ParaBody distributor or call the ParaBody customer service department at (800) 328-9714

FIGURE 29



STEP 29:

- **SECURELY** assemble the TOP SHROUD BRACKET (70) to the RIGHT and LEFT UPRIGHT PLATES (14 & 15) using two 3/8 X 2-1/2" BOLTS (74) and two 3/8" LOCK NUTS (75) as shown in FIGURE 29.

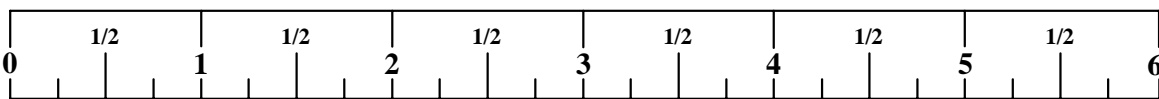
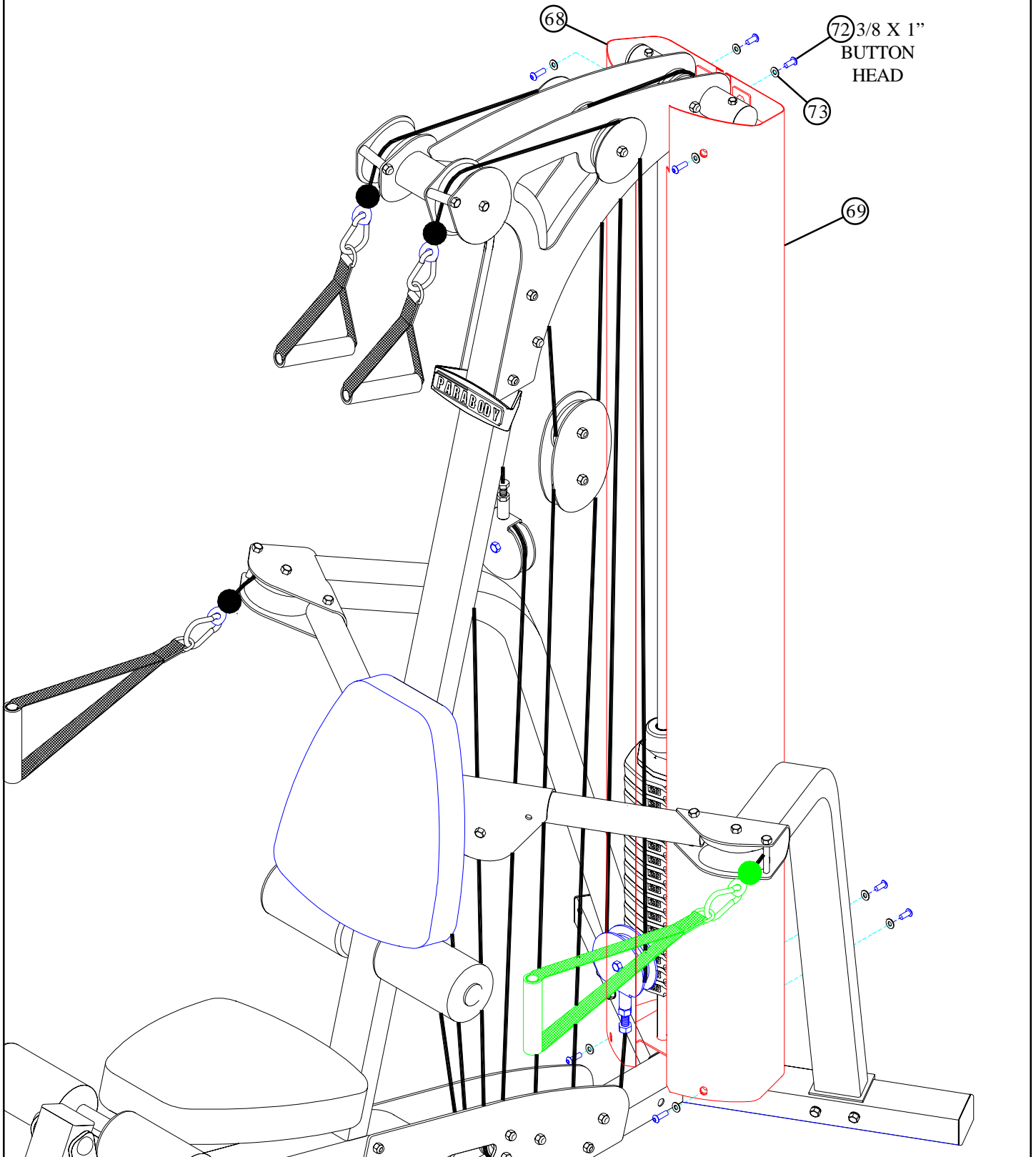


FIGURE 30



STEP 30:

- **SECURELY** assemble the LEFT SHROUD (68) and RIGHT SHROUD (69) to the TOP (70) and BOTTOM (71) SHROUD BRACKETS using eight 3/8 X 1" BUTTON HEAD BOLTS (72) and eight 3/8" BLACK SAE WASHERS (73) as shown in FIGURE 30.
- This completes the assembly of the 777 SHROUD OPTION.

MAINTENANCE

Please note:

- * We recommend cleaning your product (pads and frame) on a regular basis, using warm soapy water. Touch-up paint can be purchased from your ParaBody customer service representative at (800) 328-9714.

- * Inspect equipment daily. Tighten all loose connections and replace worn parts immediately. Failure to do so may result in serious injury

- * Lubricate guide rods with a teflon based (or equivalent) lubricant on a regular basis

- * **PLEASE RECORD THE INFORMATION REQUESTED BELOW. IN THE EVENT YOU MAY NEED SERVICE YOU WILL BE ASKED FOR THIS INFORMATION. REMEMBER TO FILL OUT YOUR WARRANTY REGISTRATION CARD AND MAIL BACK.**

MODEL # _____

SERIAL # _____

DATE OF PURCHASE: _____

DEALERS NAME: _____

DEALERS PHONE # _____

Thank you for purchasing the ParaBody 777 Gym System.

LIMITED WARRANTY

ParaBody extends the following LIMITED WARRANTY to the original owner of the ParaBody products. The Warranty terms apply to IN HOME USE ONLY.

1. **LIMITED WARRANTY ON FRAME AND WELDS.** If the frame of the ParaBody product or a weld should crack or break, it will be repaired or replaced by ParaBody. Terms: Lifetime – for so long as the Customer owns the ParaBody product.
2. **LIMITED WARRANTY ON PARTS.** If the following parts are defective in material or workmanship, ParaBody will supply replacement parts: all bolts, nuts, washers, bearings, bushings, pulleys, thumbscrews, collars, cable retaining clips, adjustable pre-stretch slides, roller pad shafts, allen head bolts, weight selector pin, weight stack shaft, set screws, protector caps, adjustment chain, cotter pin, plunger, spring and knob. Terms: Lifetime – for so long as the Customer owns the ParaBody product.
3. **LIMITED WARRANTY ON CABLES AND UPHOLSTERY.** If the coated cables or upholstery are defective in material or workmanship, ParaBody will repair or replace them, at its option. Terms: Three (3) years.
4. **CONDITIONS AND EXCEPTIONS.** Any product misuse, abuse or alteration, any attempt to repair by a person other than an authorized ParaBody Service Center, any improper assembly, accident, or any other condition resulting from occurrences beyond the control of ParaBody will void this Limited Warranty.
5. **REPLACEMENT AND REPAIR EXPENSES.** ParaBody will provide only replacement parts or repair under this warranty. The Owner is responsible for all other costs. Such costs may include, but are not limited to: a. labor charges for service, removal, repair or reinstallation of the ParaBody product or any component part; b. shipping, delivery, handling and administrative charges for returning parts to ParaBody; and c. all necessary or incidental costs related to installation of the replacement parts.
6. **SHIPPING.** If shipping by the Owners is deemed necessary (in sole discretion of ParaBody), parts should be shipped in their original carton or equivalent packaging, fully insured with shipping charges prepaid. ParaBody will not assume any responsibility for any loss or damage incurred in shipping.
7. **CLAIM PROCEDURES.** If service on your ParaBody product is required during the warranty period, please contact our Customer Service Department at 1-800-328-9714 for instructions regarding returning or replacing parts. Please have available the following information: (i) the dealer's name; (ii) the date of purchase; (iii) the serial # (s) of your product (the serial number location is called out on the final assembly drawing included with your assembly instruction); (iv) a description of the nature of the problem.
8. **OWNER'S RIGHT.** This Limited Warranty gives you specific legal rights. You may also have other rights, which vary depending on local law.
9. **LIMITATION OF IMPLIED WARRANTIES.** All implied warranties, except to the extent prohibited by applicable law, shall have no greater duration than the warranty period set forth above. There are no warranties which extend beyond the description in this Limited Warranty. Because local laws do not allow limitations on how long an implied warranty lasts, the above limitations may not apply to you.
10. **DISCLAIMER.** No other express warranty has been made or will be made on behalf of ParaBody with respect to any ParaBody product or the operation, repair or replacement of any ParaBody product. ParaBody shall not be responsible for injury, loss of use of the ParaBody product, inconvenience, loss or damage to personal property, whether direct or indirect, and incidental or consequential damages, so the above limitation or exclusion may not apply to you.

NOTES:

LIFE FITNESS CONSUMER DIVISION

14150 Sunfish Lake Blvd. Ramsey Minnesota, 55303 U.S.A.

Tel: 763.323.4500 Fax: 763.323.4797

800.328.9714 (Toll-free within the U.S. and Canada)

www.parabody.com

INTERNATIONAL OFFICES

Life Fitness Atlantic BV
Atlantic Headquarters
Bijdorpplein 25-31
2992 LB Barendrecht
The Netherlands
Phone: (180) 646 666
Fax: (180) 646 703

Life Fitness (UK) Ltd.
Queen Adelaide
Ely, Cambs CB7 4UB
United Kingdom
Phone CSS: (01353) 665507
Fax CSS: (01353) 666719

Life Fitness EUROPE GmbH
Siemensstrasse 3
85716 Unterschleissheim
Germany
Phone: (089) 31 77 51-0
Fax: (089) 31 77 51 99

Life Fitness Benelux N.V.
Bijdorpplein 25-31
2992 LB Barendrecht
The Netherlands
Phone: 31 (180) 64 66 69
Fax: 31 (180) 64 66 99

Life Fitness Italia S.R.L.
Via Elvas 92
39042 Bressanone
Italy
Phone: 39 (472) 835-470
Fax: 39 (472) 833-150

Life Fitness Japan
8/F, Nippon Brunswick Building
5-27-7 Sendagaya
Shibuya-Ku, Tokyo 151-0051
Japan
Phone: 81 (3) 3359-4309
Fax: 81 (3) 3359-4307

Life Fitness Asia Pacific Limited
Room 2610, Miramar Tower
132 Nathan Road, Tsimshatsui
Kowloon, Hong Kong
Phone: (852) 2891-6677
Fax: (852) 2575-6001

Life Fitness Do Brazil
Al. Rio Negro, 433-Predio 2-Sala 2
3º andar (Confab)
Aplhavelle-Barueri-Sao Paulo
CEP: 06454-904
Brazil
Phone: 55 (11)7295-2217
Fax: 55 (11) 7295-2218