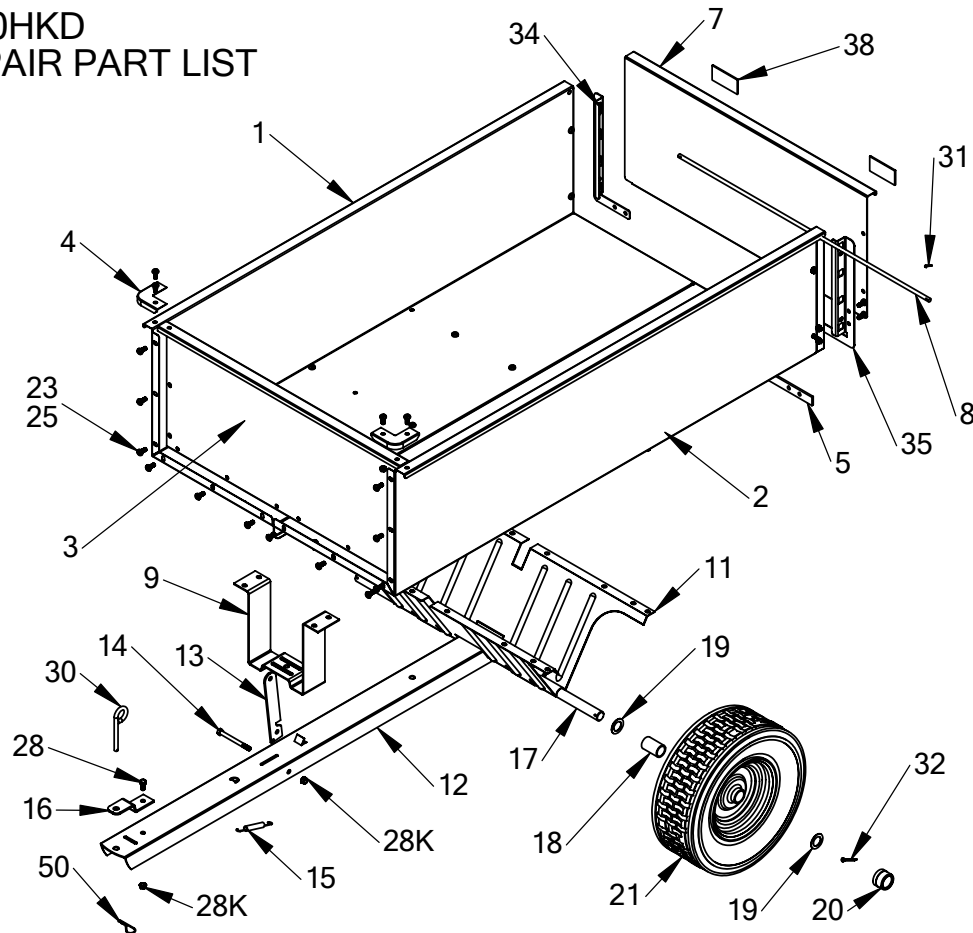


3460HKD
REPAIR PART LIST

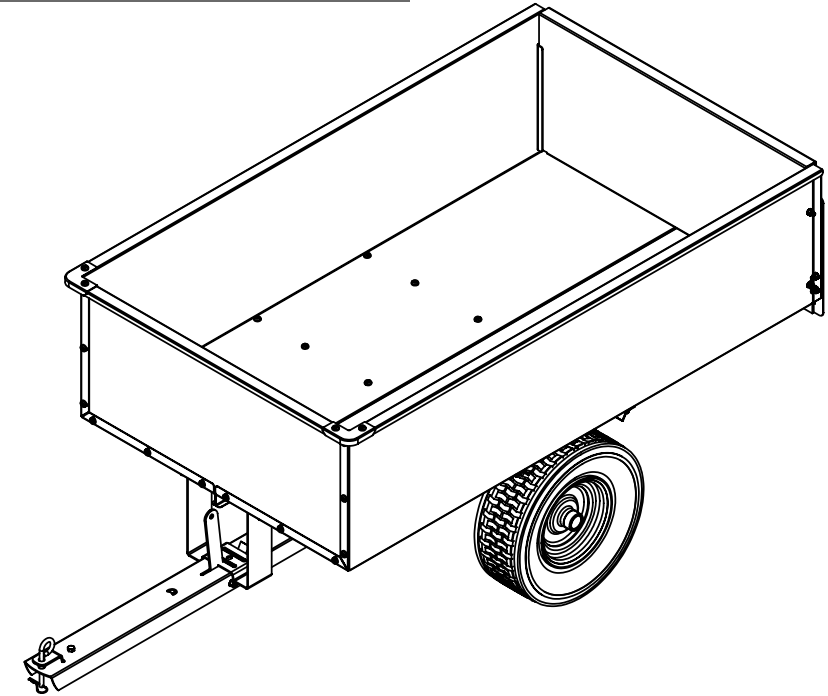


REF.NO.	PART NO.	AMT.	DESCRIPTION	REF.NO.	PART NO.	AMT.	DESCRIPTION
1	7-1	1	Right Body Half	19	7-19	4	Axle Washer 1"
2	7-2	1	Left Body Half	20	55-20	2	Hub Cap
3	7-3	1	Front Gate	21	7-21	2	Wheel #3
4	7-4	2	Corner	23	55-23K	51	5/16"-18 Keps Nut
5	7-5	1	Rear Support Bar	25	55-25	51	5/16"-18 x 3/4 Pan Head
7	7-7	1	Tailgate	28	55-28	1	3/8"-16 X 3/4" Hex Head
8	7-8	1	Tailgate Rod	28K	55-28K	2	3/8"-16 Keps Nut
9	7-9	1	Front Support	30	55-30	1	Hitch Pin
11	7-11	1	Axle Holder	31	7-31	2	Cotter Pin 3/32 x 3/4
12	27-12A	1	Drawbar Assembly	32	7-32	2	Cotter Pin 1/8 x 1 1/2"
13	55-13A	1	Latch Post Bar	34	55-7A	1	Gate Retainer - Right
14	55-14A	1	Latch Bolt 3/8"-16x4"Hex	35	55-8A	1	Gate Retainer - Left
15	55-15A	1	Latch Spring	36	7-BBA	1	Hardware Bag
16	55-16A	1	Hitch Bracket	38	7-38	2	Reflector
17	7-17	1	Axle #2	39	7-39	1	Assembly Instruction
18	7-18	2	HDPE Spacer 2-1/16"	50	55-31	1	Hairpin Cotter

REV-NC

OHIO STEEL
INDUSTRIES

3460HKD
20 CUBIC FOOT
HEAPED DUMP CART
ASSEMBLY MANUAL



CAUTION:
READ AND FOLLOW
ALL SAFETY RULES
AND INSTRUCTIONS
BEFORE USING
THIS EQUIPMENT

FULL ONE-YEAR WARRANTY

If this product fails due to a defect in material or workmanship within one year from the date of purchase, Ohio Steel will at its option repair or replace it free of charge. This warranty excludes Tires and Wheels which are expendable and become worn during normal use.

Proof of purchase required.

This warranty does not cover:

- Repairs necessary because of operator abuse or negligence.
- Equipment use for commercial or rental purposes.

Contact Ohio Steel to arrange for product repair, or return this product to place of purchase for replacement.

This warranty gives you specific legal rights, and you may also have other rights which vary from state to state. This Warranty applies only while this product is in use in the United States.

Ohio Steel Industries
Columbus, OH 43224 U.S.A.
Visit our website: www.ohiosteel.com

For missing parts or questions
Call 1-800-652-2321

TOOLS REQUIRED

Large blade screwdriver.
1/2" wrench and/or socket.
Pliers.

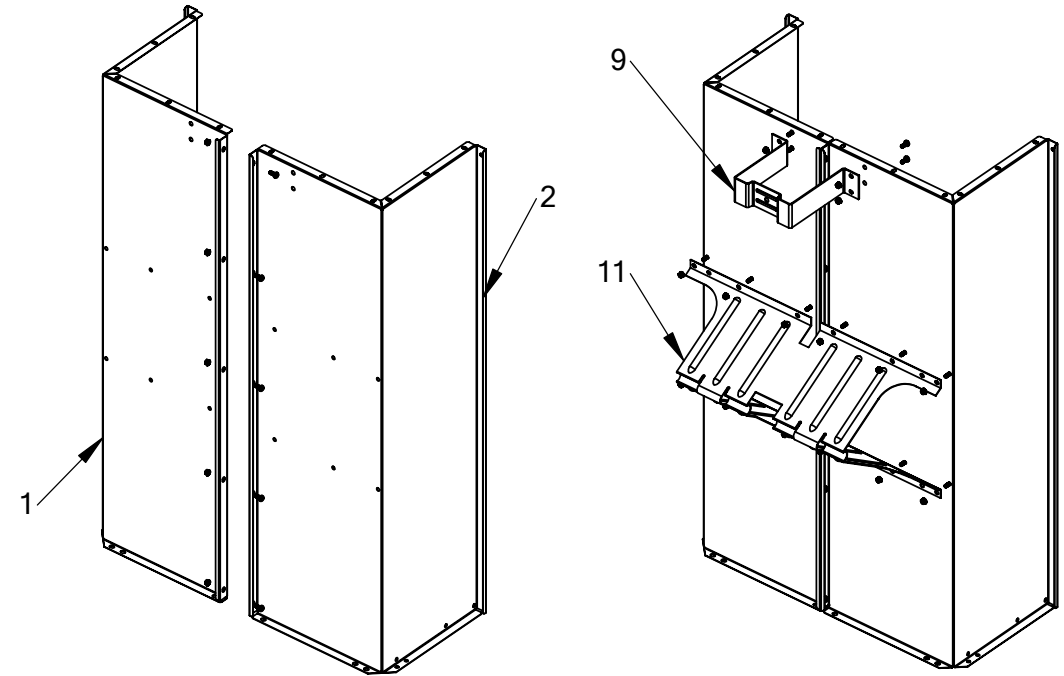
SAFETY INSTRUCTION

- Do not carry passengers in cart.
- Do not tow cart on public roads.
- Never exceed **LOAD CAPACITY of 1500lbs.**
- Avoid sudden turns or maneuvers.
- When operating on slopes, use lowest ground speed and limit load to 200lbs.
- Operate up and down slopes, never across the face.

MAINTENANCE

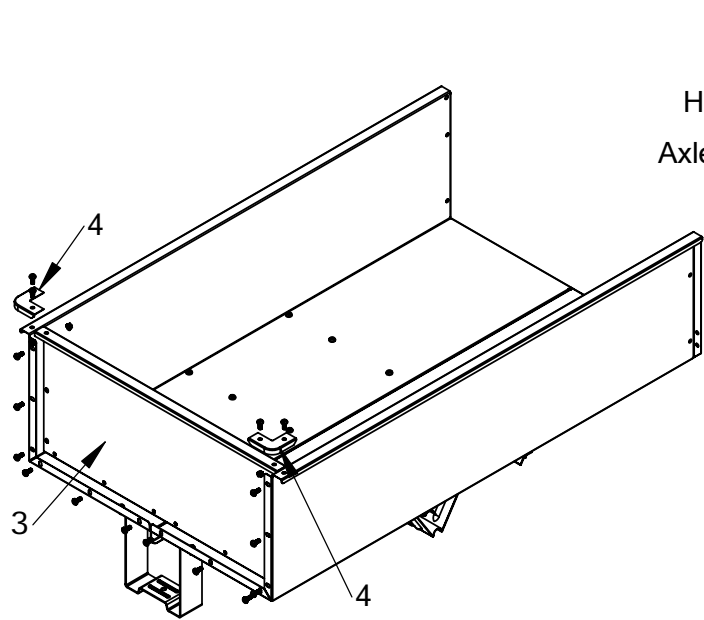
- Check tire pressure regularly, 30psi.
- Periodically check all bolts.
- Keep cart clean to prevent rust.
- Store inside a clean dry area.

CARTON CONTENTS		
REF. NO.	QTY.	DESCRIPTION
1	1	Right Body Half
2	1	Left Body Half
3	1	Front Gate
4	2	Corner
5	1	Rear Support Bar
7	1	Tailgate
8	1	Tailgate Rod
9	1	Front Support
11	1	Axle Holder
12	1	Drawbar Assembly
17	1	Axle #2
21	2	Wheel #3
34	1	Gate Retainer - Right
35	1	Gate Retainer - Left
39	1	Assembly manual
BB	1	Hardware bag

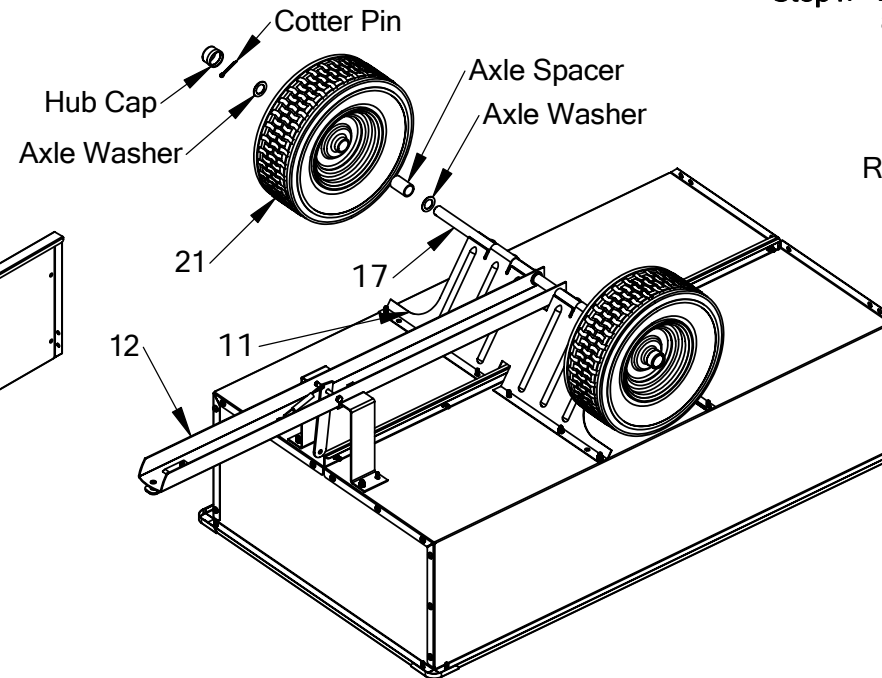


Step1. Loosely assemble body halves as shown.

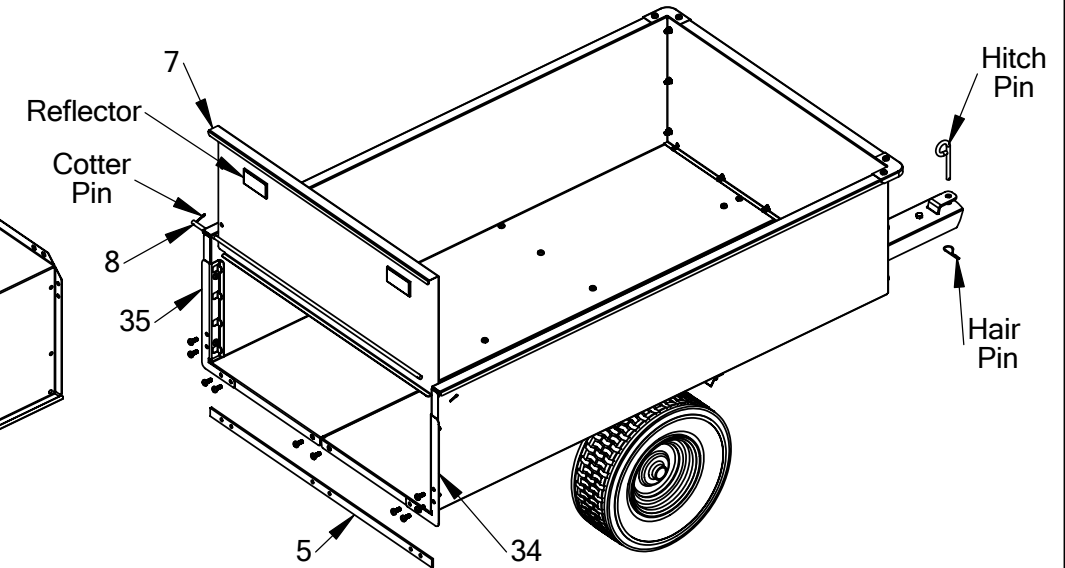
Step2. Loosely attach front support and axle holder.



Step3. Loosely attach front gate and corners. Square assembly and tighten all bolts.



Step 4. Center axle through axle holder & drawbar. Place washer, spacer, wheel, and washer onto axle. Lock in place with cotter pin. Bend ends of pin to lock.



Step 5. Loosely attach rear support bar and gate retainers. Slide tailgate rod through top holes in rear of body and secure with cotter pins. Insert tail gate and tighten bolts. Add reflectors Insert hitch pin and secure with hairpin cotter.