



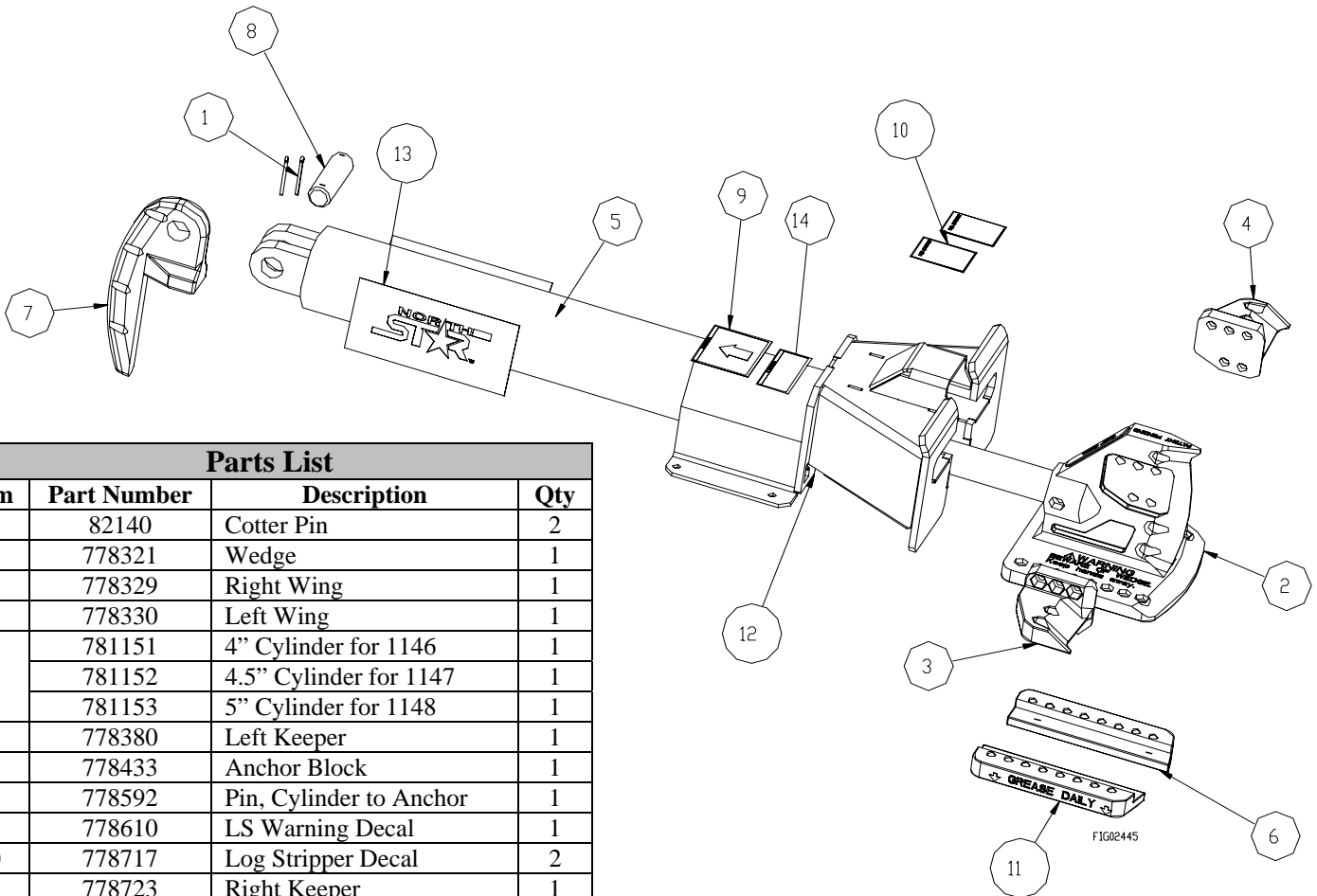
# M1146E

4-Way Wedge Systems  
1146, 1147, 1148

Purpose: Parts for building own 4-way log splitter.

## 4-Way Wedge System Assembly

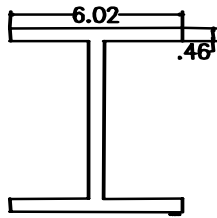
1. Unbox and identify all parts.



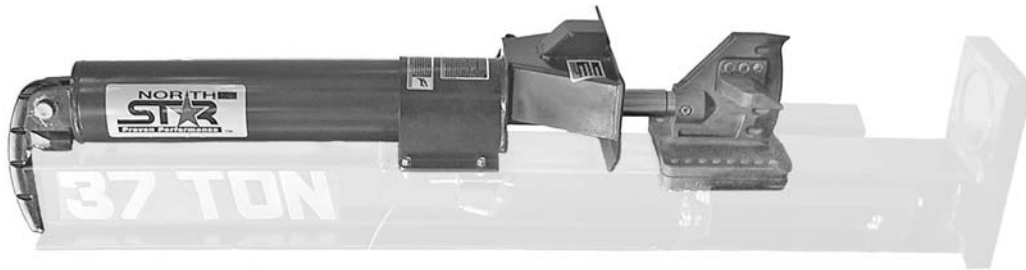
Parts List			
Item	Part Number	Description	Qty
1	82140	Cotter Pin	2
2	778321	Wedge	1
3	778329	Right Wing	1
4	778330	Left Wing	1
5	781151	4" Cylinder for 1146	1
	781152	4.5" Cylinder for 1147	1
	781153	5" Cylinder for 1148	1
6	778380	Left Keeper	1
7	778433	Anchor Block	1
8	778592	Pin, Cylinder to Anchor	1
9	778610	LS Warning Decal	1
10	778717	Log Stripper Decal	2
11	778723	Right Keeper	1
12	779138	Log Stripper wldt for 1146	1
	779137	Log Stripper wldt for 1147	1
	779136	Log Stripper wldt for 1148	1
13	STNS4	4" x 9" NorthStar Decal	2
14	777891	Decal, Hydraulic Fluid	1

**Any Questions, Comments, Problems, or Parts Orders**  
***Call NorthStar Product Support 1-800-270-0810***

2. Requirements: 6" x 25 lb x 66.25" I-beam



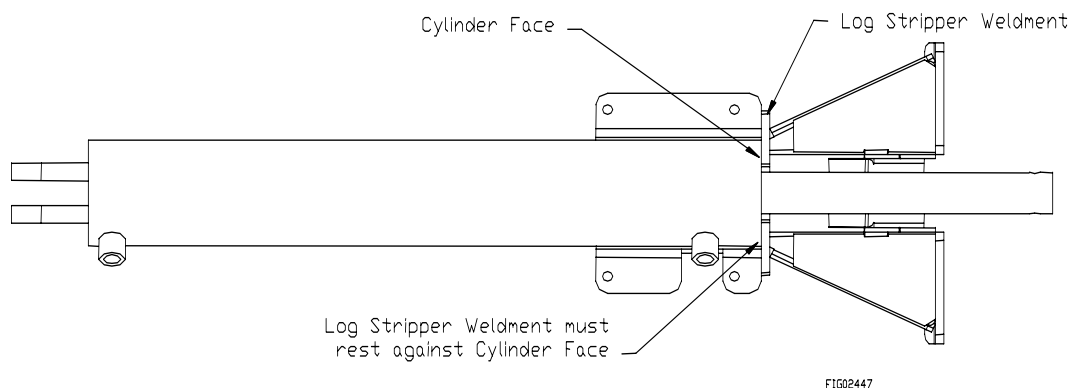
3. Kit will be assembled as shown below.



4. Weld the anchor block onto the I-beam. Anchor block must be centered on beam and completely welded.

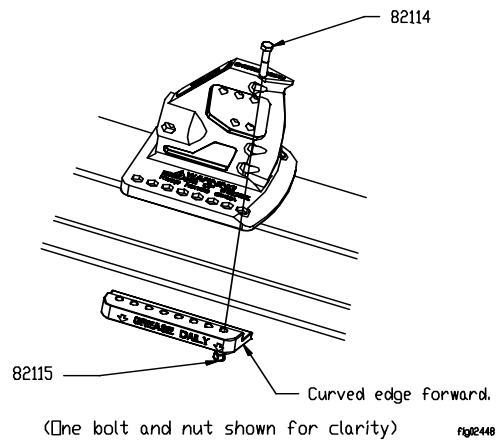
5. Install cylinder onto anchor block with the supplied pin and cotter pins.

6. Log stripper weldment can be welded to the beam or bolted to a 10-gauge (0.1345" thick) plate, which is welded to the beam. If welded to the beam, a 10-gauge spacer must be placed between the log stripper weldment and the beam to get the proper vertical height for the log stripper weldment. The log stripper weldment must rest against the cylinder face to operate properly, as shown below.

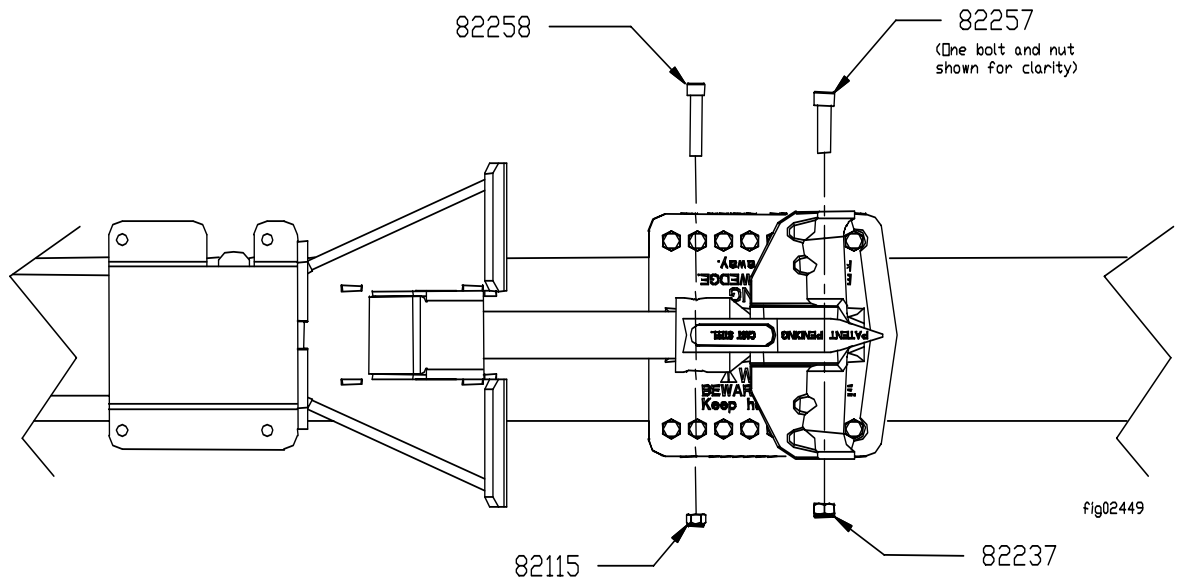


(Bottom view shown for clarity)

- Install the wedge on the beam by inserting eight, hex head bolts, 82114, through the wedge and the right keeper, as shown below. Tighten with 82115 (7/16" Nyloc nuts) to 70 ft-lbs. Repeat for the left side.

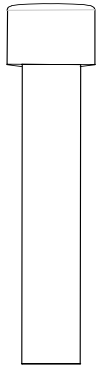


- Hook up hydraulics and extend the cylinder out. Connect the cylinder to the wedge using 82258 (7/16 x 2 1/4" SHCS bolt) and 82115 (7/16" Nyloc nut).

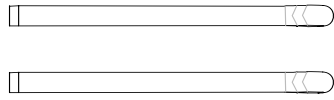


- If 4-way splitting is desired wings can be installed as shown above. Insert five 82237 (1/2" nyloc nut) nuts into the hex cutout on the right wing. Place the right wing on wedge. Insert 5 bolts, 82257 (1/2 x 2" SHCS bolts) into left wing and through wedge. Tighten the bolts and nuts to 70 ft-lbs.

- Install decals where shown on page 1.



82258 - Qty 1

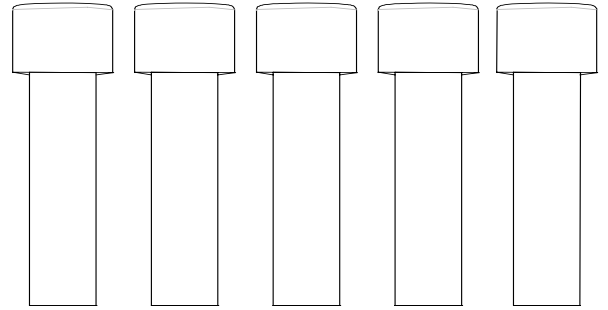


82140 - Qty 2

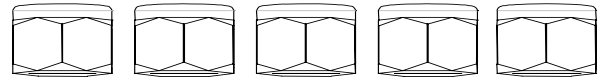


778592 - Qty 1

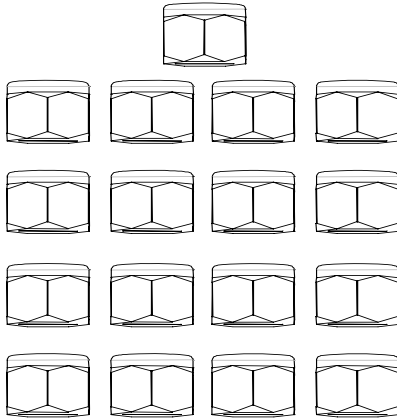
NOT TO SCALE



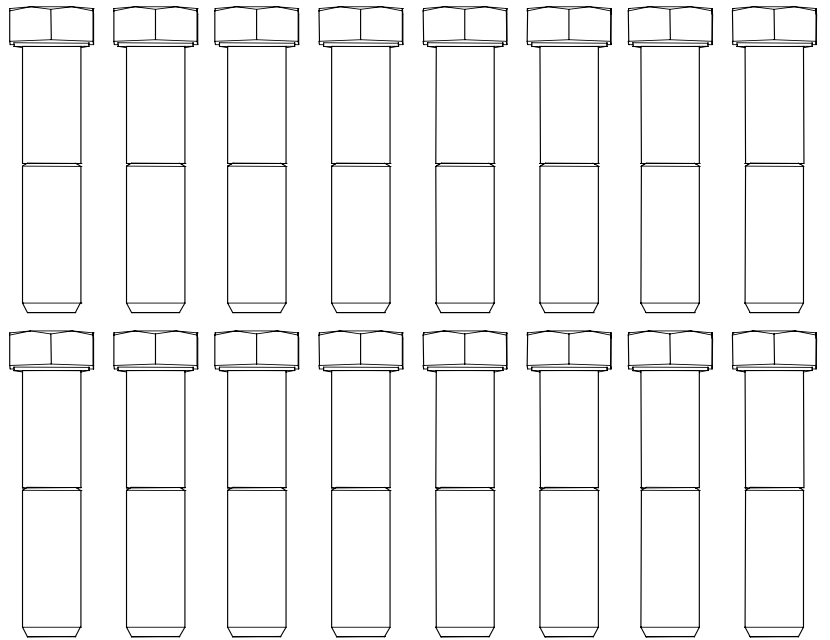
82257 - Qty 5



82037 - Qty 5



82115 - Qty 17



82114 - Qty 16

FIG0246

Decals

STNS4 - Qty 2 (Northstar)

778610 - Qty 1 (Log Splitter Warning)

778717 - Qty 2 (Pinch Point Warning)

777891 - Qty 1 (Hydraulic Fluid)