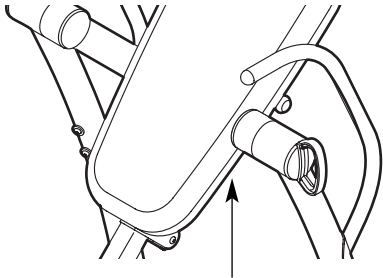


NordicTrack® *REVITALIZE™* INVERSION SYSTEM

Model No. 831.14595.5

Serial No. _____

Write the serial number in the space above for future reference.



Serial Number Decal (Under Seat)

USER'S MANUAL

QUESTIONS?

As a manufacturer, we are committed to providing complete customer satisfaction. If you have questions, or if parts are missing, **PLEASE DO NOT CONTACT THE STORE;** please contact Customer Care.

IMPORTANT: You must note the product model number and serial number (see the drawing above) before contacting us:

CALL TOLL-FREE:

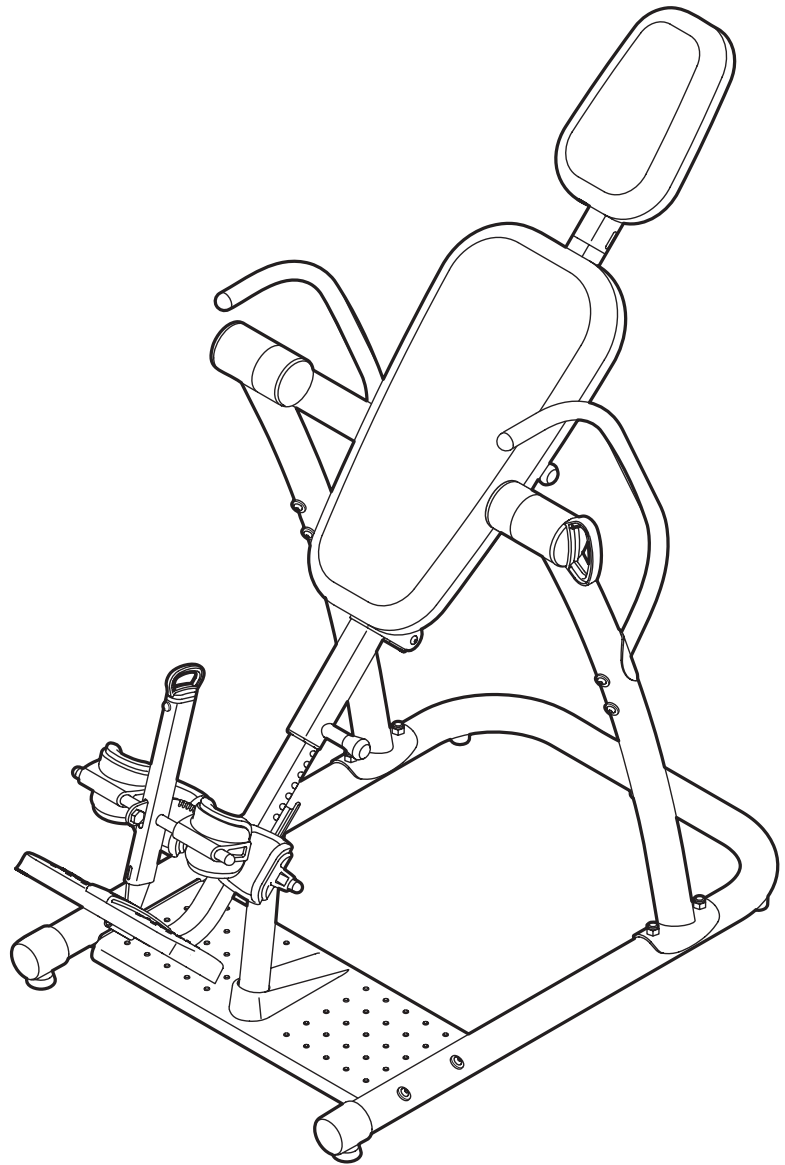
1-888-825-2588

Mon.–Fri. 6 a.m.–6 p.m. MST

Sat. 8 a.m.–4 p.m. MST

ON THE WEB:

www.nordictrackservice.com



CAUTION

Read all precautions and instructions in this manual before using this equipment. Save this manual for future reference.



Visit our website at

www.nordictrack.com

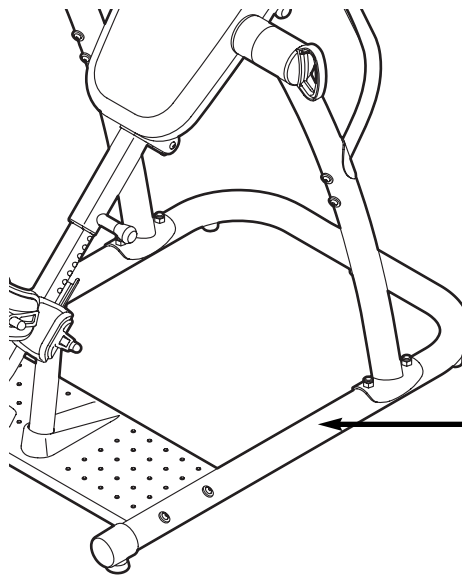
new products, prizes,
fitness tips, and much more!

TABLE OF CONTENTS

WARNING DECAL PLACEMENT	2
IMPORTANT PRECAUTIONS	3
BEFORE YOU BEGIN	4
PART IDENTIFICATION CHART	5
ASSEMBLY	6
ADJUSTMENT	13
ROTATING ON THE INVERSION TABLE	15
DEVELOPING A PROGRAM	16
PART LIST	18
EXPLODED DRAWING	19
ORDERING REPLACEMENT PARTS	Back Cover
LIMITED WARRANTY	Back Cover

WARNING DECAL PLACEMENT

The decal shown here has been applied in the location shown. **If the decal is missing or illegible, call the telephone number on the front cover of this manual and request a free replacement decal. Apply the decal in the location shown.** Note: The decal may not be shown at actual size.



▲ WARNING

- Misuse of this machine may result in serious injury.
- Read user's manual prior to use and follow all warnings and instructions.
- Do not allow children on or around machine.
- Keep body, clothing, and hair free and clear of all moving parts.
- Replace label if damaged, illegible, or removed.

IMPORTANT PRECAUTIONS

⚠️ WARNING: To reduce the risk of serious injury, read all important precautions and instructions in this manual and all warnings on the inversion table before using the inversion table. ICON assumes no responsibility for personal injury or property damage sustained by or through the use of the inversion table.

1. Before beginning any exercise program, consult your physician. This is especially important for persons over the age of 35 or persons with pre-existing health problems.
2. Use the inversion table only as described in this manual.
3. It is the responsibility of the owner to ensure that all users of the inversion table are adequately informed of all precautions.
4. The inversion table is intended for home use only. Do not use the inversion table in any commercial, rental, or institutional setting.
5. Keep the inversion table indoors, away from moisture and dust. Do not put the inversion table in a garage or covered patio, or near water.
6. Use the inversion table only on a level surface. Cover the floor beneath the inversion table to protect the floor.
7. Make sure that all parts are properly tightened each time the inversion table is used. Replace any worn parts immediately.
8. Keep children under age 12 and pets away from the inversion table at all times.
9. The inversion table is designed to support a maximum user weight of 300 lbs. (136 kg). Do not use weights with the inversion table.
10. Always wear athletic shoes with laces to help secure your feet in the inversion table, and for foot protection while exercising.
11. The inversion table should be used only by persons 6 ft. 6 in. (198 cm) tall or less.
12. Keep hands and feet away from moving parts.
13. Always make sure that the ankle lock is secured snugly against your ankles and that the short knob is fully tightened before you use the inversion table.
14. Perform all activities on the inversion table in a slow, controlled manner. Aggressive exercise can cause the inversion table to tip over.
15. Always exercise with a partner. Your partner should be ready to return the backrest to the upright position if you cannot complete the rotation.
16. If you feel pain or dizziness while exercising, stop immediately and begin cooling down.
17. Following is a list of factors and conditions that may make inverting inadvisable (this list is not exhaustive; it is intended only for reference). If one or more factors or conditions apply to you, consult your physician before using the inversion table.
 - Pregnancy
 - Hiatal hernia or ventral hernia
 - Glaucoma, retinal detachment, or conjunctivitis
 - High blood pressure, hypertension, or recent stroke or transient ischemic attack
 - Heart or circulatory disorders for which you are being treated
 - Middle ear infection and extreme obesity
 - Spinal injury, cerebral sclerosis, or acutely swollen joints
 - Bone weakness (osteoporosis), recent unhealed fractures, medullary pins, or surgically implanted orthopedic supports
 - The use of anticoagulants, including high doses of aspirin

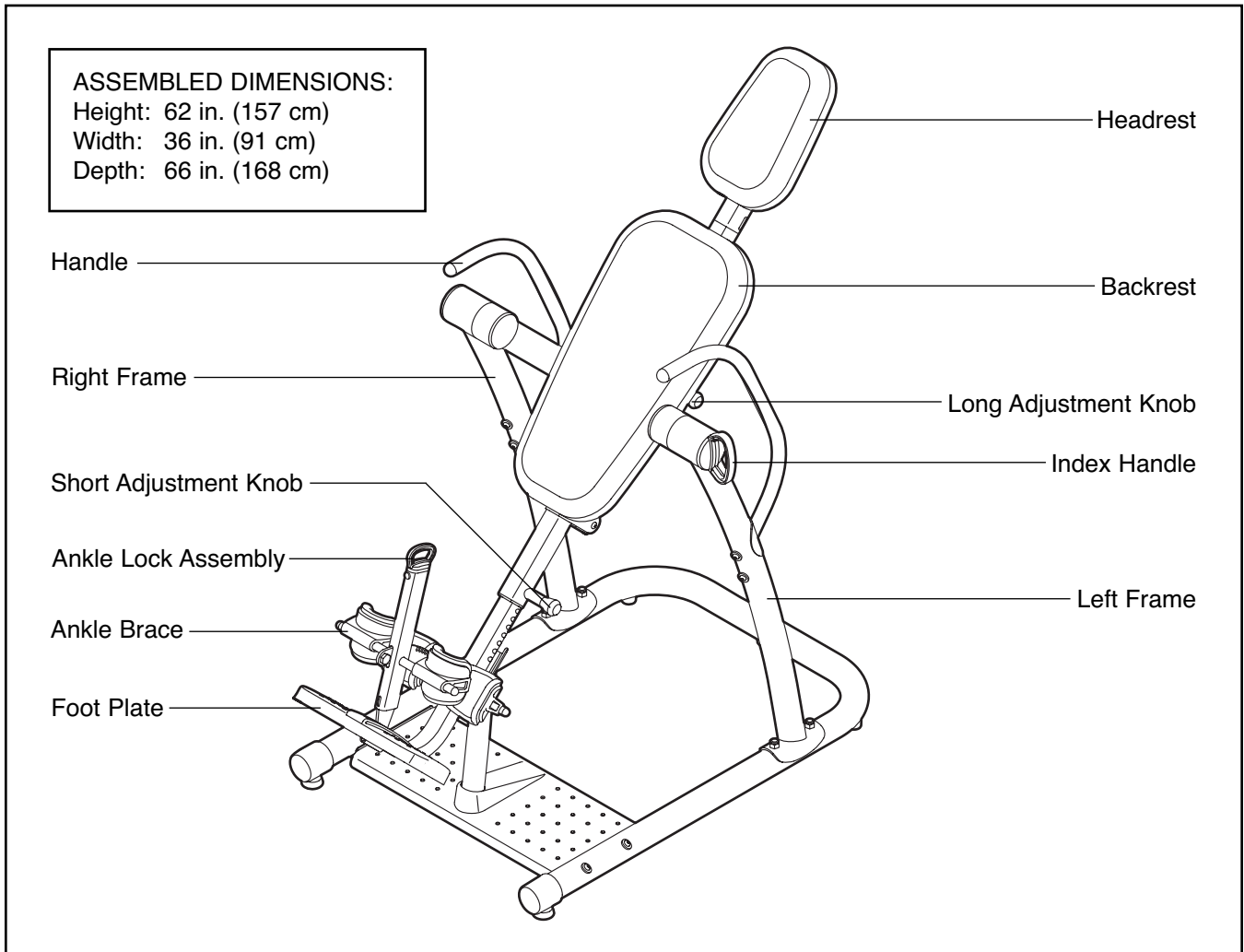
BEFORE YOU BEGIN

Thank you for selecting the NordicTrack® REVITALIZE™ INVERSION SYSTEM inversion table. The inversion table will increase your intervertebral dimension, decrease pressure on intervertebral discs, stretch and relax your muscles, and temporarily relieve back pain associated with the listed conditions.

For your benefit, read this manual carefully before using the inversion table. If you have questions after

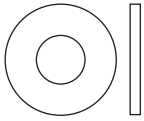
reading this manual, please see the front cover of this manual. To help us assist you, note the product model number and serial number before contacting us. The model number and the location of the serial number decal are shown on the front cover of this manual.

Before reading further, please review the drawing below and familiarize yourself with the parts that are labeled.

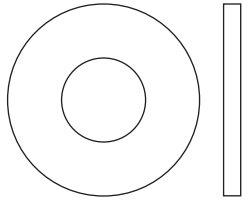


PART IDENTIFICATION CHART

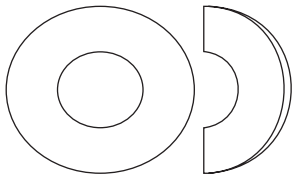
See the drawings below to identify small parts used in assembly. The number in parentheses by each drawing is the key number of the part, from the PART LIST near the end of this manual. **Note: Some small parts may have been pre-assembled. If a part is not in the parts bag, check to see if it has been preassembled.**



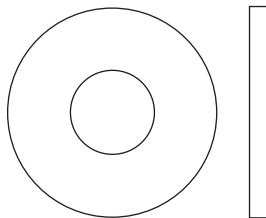
M6 Washer (62)



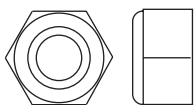
M10 Washer (68)



M10 Curved Washer (50)



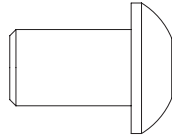
M10 Large Washer (64)



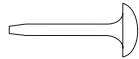
M8 Nylon
Locknut (72)



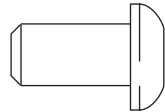
M10 Nylon
Locknut (65)



M10 x 16mm
Button Screw (54)



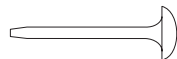
M4 x 15mm
Screw (58)



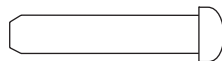
M8 x 16mm
Button Bolt (61)



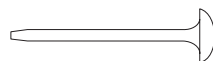
M6 x 18mm
Button Screw (55)



M4 x 20mm
Screw (71)



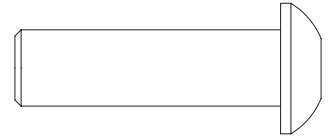
M5 x 25mm
Screw (59)



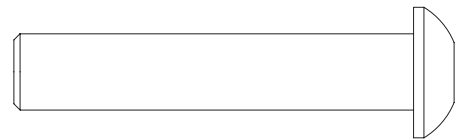
M4 x 25mm
Screw (60)



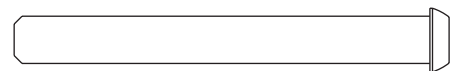
M4 x 30mm
Screw (63)



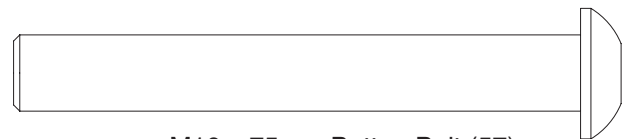
M10 x 35mm
Button Bolt (53)



M10 x 53mm Button Bolt (49)



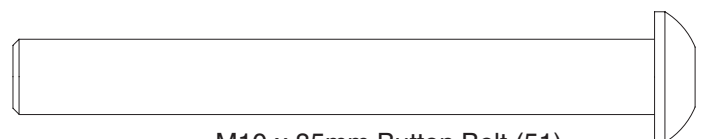
M6 x 55mm Button Screw (56)



M10 x 75mm Button Bolt (57)



M10 x 80mm Button Bolt (52)



M10 x 85mm Button Bolt (51)



M10 x 95mm Button Bolt (73)

ASSEMBLY


Make Assembly Easier


This manual is designed to ensure that the inversion table can be assembled successfully by almost anyone. However, the inversion table has many parts, and the assembly process will take time. Most people find that if they set aside plenty of time, assembly goes smoothly.

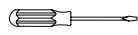
Before beginning assembly, carefully read the following information and instructions:

- Assembly requires two persons.
- Because of its weight and size, the inversion table should be assembled in the location where it will be used. Make sure that there is enough clearance to walk around the inversion table as you assemble it.
- Place all parts in a cleared area and remove the packing materials. Do not dispose of the packing materials until assembly is completed.

- For help identifying small parts, use the PART IDENTIFICATION CHART on page 5.
- As you assemble the inversion table, make sure that all parts are oriented as shown in the drawings.
- Tighten all parts as you assemble them, unless instructed to do otherwise.
- The included grease and the following tools (not included) may be required for assembly:

Two adjustable wrenches 

One rubber mallet 

One standard screwdriver 

One Phillips screwdriver 

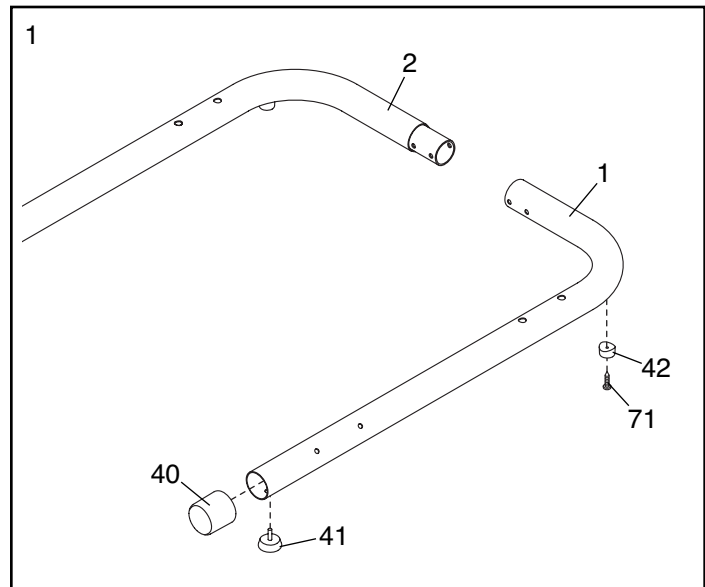
Assembly may be more convenient if you have a socket set, a set of open-end or closed-end wrenches, or a set of ratchet wrenches.

1. **Before beginning assembly, make sure that you understand the information in the box above. For help identifying small parts, see page 5.**

Press a 63mm Round Cap (40) onto the Left Base (1).

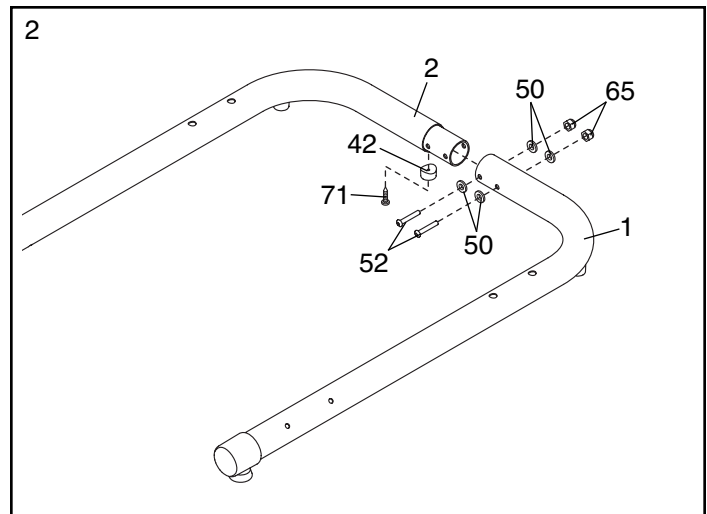
Attach a Foot (42) to the Left Base (1) with an M4 x 20mm Screw (71). Next, tighten a Leveling Foot (41) into the Left Base.

Repeat this step for the Right Base (2).



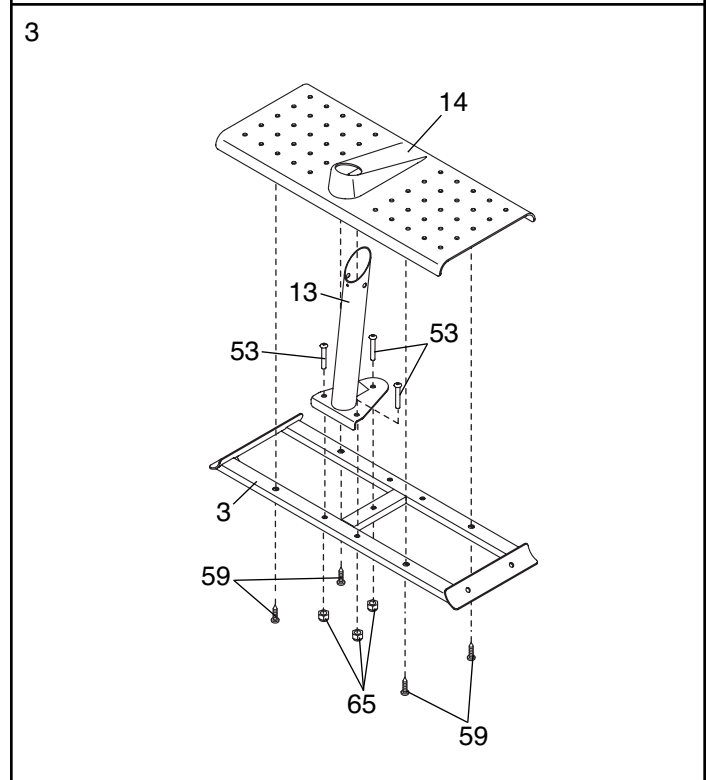
2. Attach the Left Base (1) to the Right Base (2) with two M10 x 80mm Button Bolts (52), four M10 Curved Washers (50), and two M10 Nylon Locknuts (65).

Attach another Foot (42) to the Right Base (2) with an M4 x 20mm Screw (71).

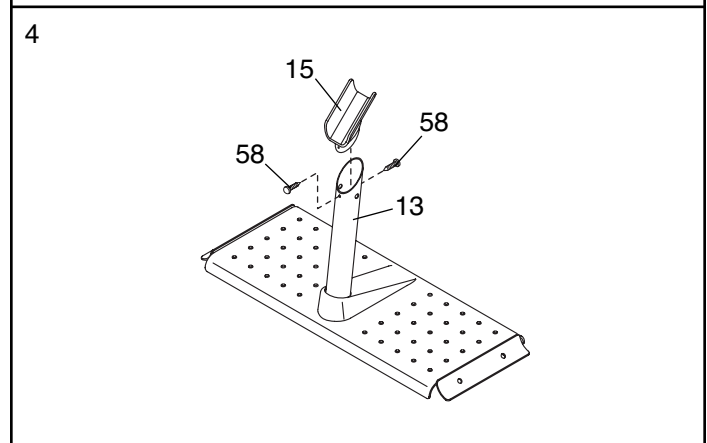


3. Attach the Support Leg (13) to the Center Base (3) with three M10 x 35mm Button Bolts (53) and three M10 Nylon Locknuts (65).

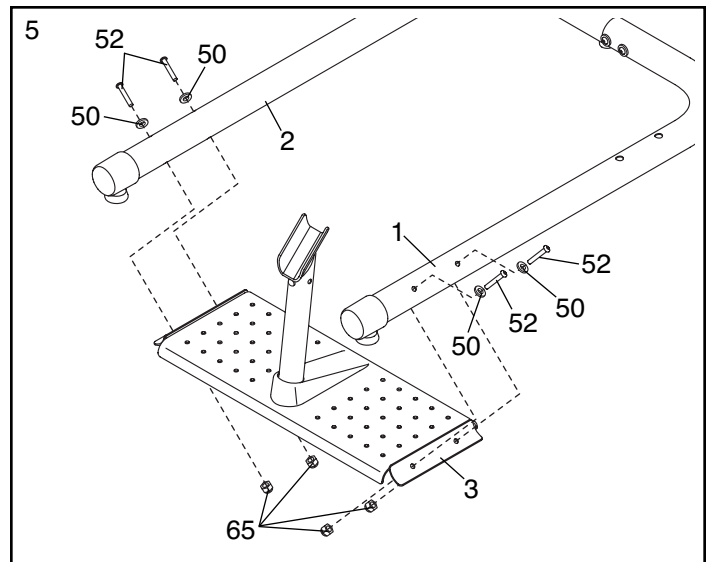
Attach the Base Plate (14) to the Center Base (3) with four M5 x 25mm Screws (59).



4. Attach the Support Bracket (15) to the Support Leg (13) with two M4 x 15mm Screws (58).



- Attach the Center Base (3) to the Left and Right Bases (1, 2) with four M10 x 80mm Button Bolts (52), four M10 Curved Washers (50), and four M10 Nylon Locknuts (65).

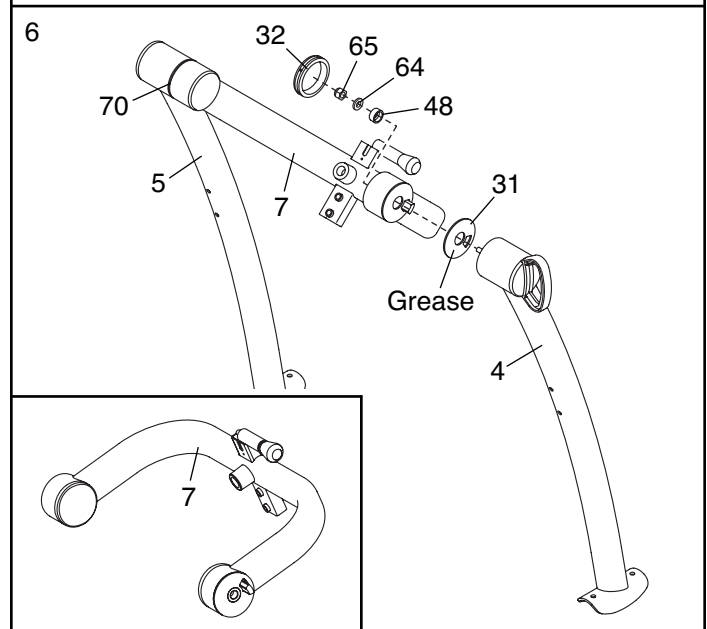


- See the inset drawing.** Identify the Center Frame (7).

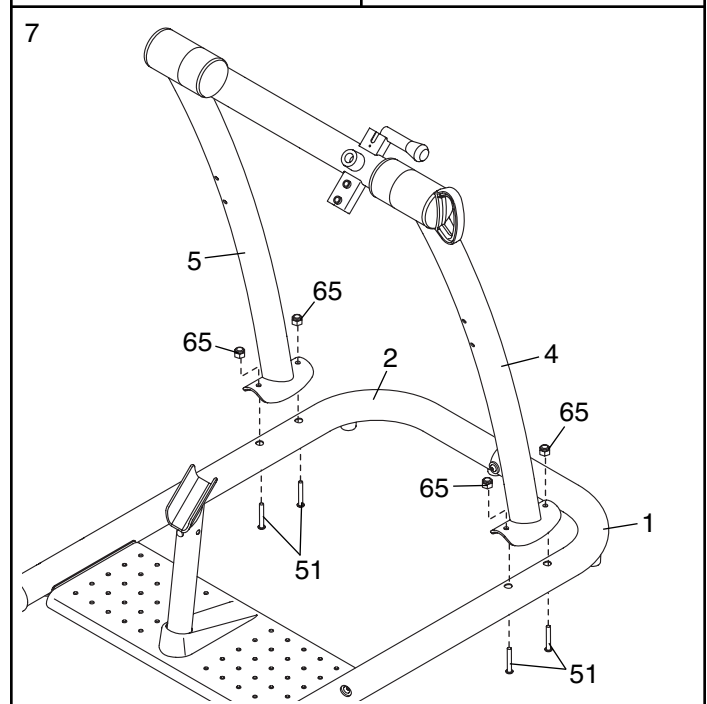
Apply some of the included grease to both sides of the Left Large Spacer (31).

Attach the Left Large Spacer (31) and the Left Frame (4) to the Center Frame (7) with an M10 Nylon Locknut (65), an M10 Large Washer (64), and a 29mm Spacer (48). Then, press an 89mm Cap (32) into the Center Frame.

Repeat this step with the Right Large Spacer (70) and the Right Frame (5).

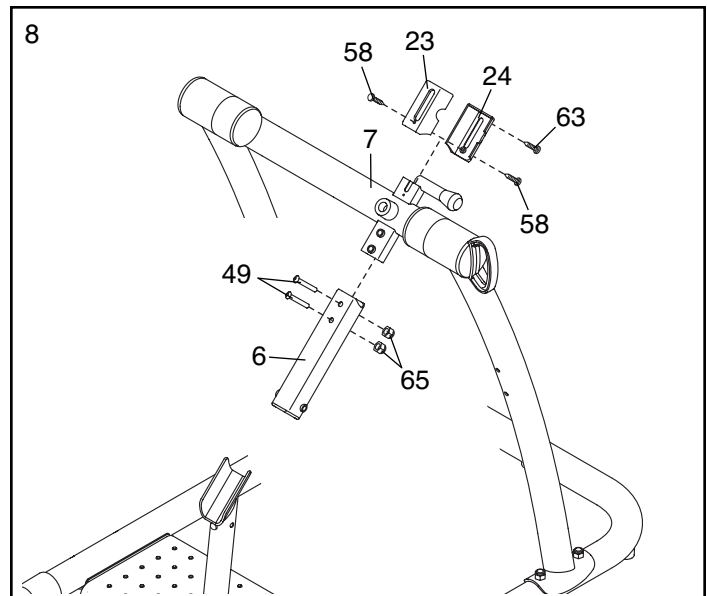


- Attach the Left and Right Frames (4, 5) to the Left and Right Bases (1, 2) with four M10 x 85mm Button Bolts (51) and four M10 Nylon Locknuts (65).

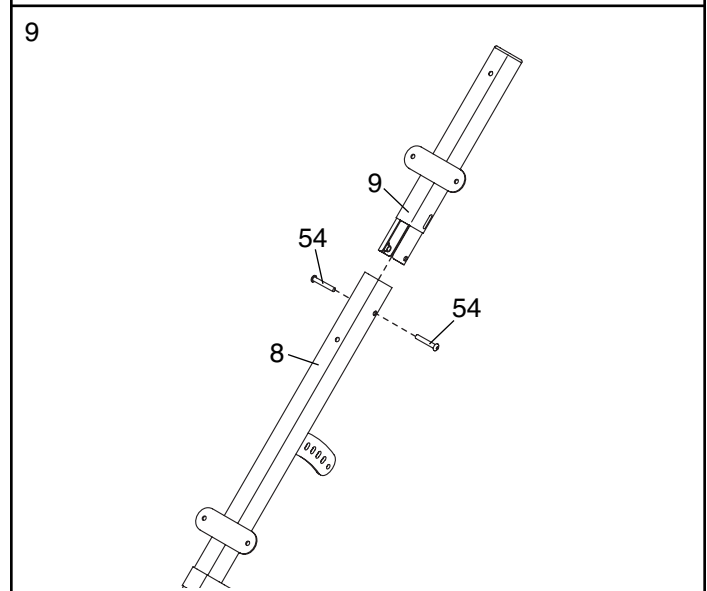


- Attach the Top Cover (23) and the Bottom Cover (24) to the Center Frame (7) with two M4 x 15mm Screws (58) and an M4 x 30mm Screw (63).

Attach the Center Frame Extension (6) to the Center Frame (7) with two M10 x 53mm Button Bolts (49) and two M10 Nylon Locknuts (65).



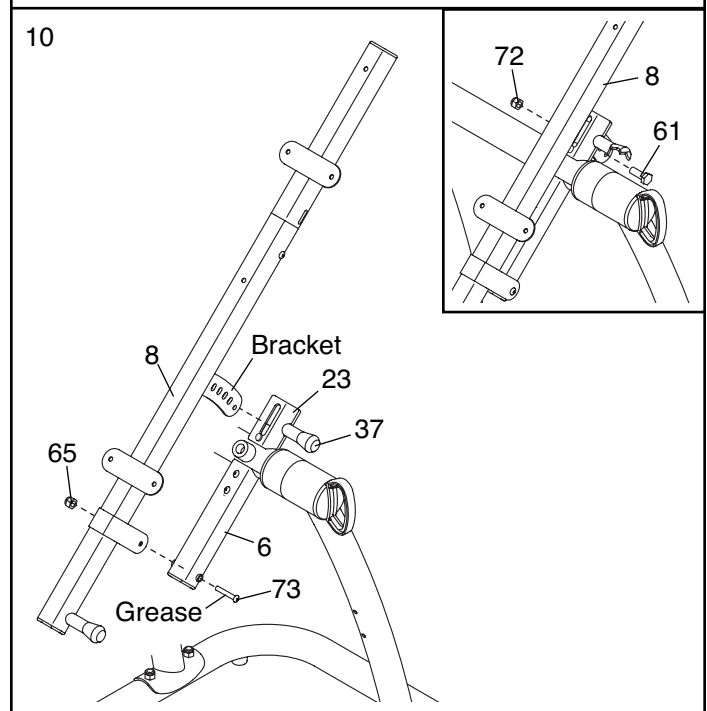
- Orient the Headrest Frame (9) and the Backrest Frame (8) as shown. Attach the Headrest Frame to the Backrest Frame with two M10 x 16mm Button Screws (54).



- Apply a small amount of grease to an M10 x 95mm Button Bolt (73).

Pull the Long Adjustment Knob (37) out as far as it will go. Insert the bracket on the Backrest Frame (8) into the Top Cover (23). Next, attach the Backrest Frame to the Center Frame Extension (6) with the M10 x 95mm Button Bolt (73) and an M10 Nylon Locknut (65). Then, engage the Long Adjustment Knob into one of the holes in the bracket.

See the inset drawing. Attach an M8 x 16mm Button Bolt (61) and an M8 Nylon Locknut (72) to the hole in the end of the bracket on the Backrest Frame (8).



11. **See the left inset drawing.** Identify the Top Tube (16), the Bottom Tube (17), and the Ankle Brace Tube (18); the Tubes have different lengths and holes in different positions.

Orient the Top Tube (16) and the Bottom Tube (17) so that the largest holes are on top (**see the right inset drawing**), and insert them into the indicated holes in the Leg Frame (10). Attach each Tube with an M4 x 15mm Screw (58).

Orient the Ankle Brace Tube (18) as shown, and insert it into the Leg Frame (10). Attach the Ankle Brace Tube with two M4 x 15mm Screws (58).

Make sure that the M4 x 15mm Screws (58) are tightened into the holes in the bottoms of the Tubes (16, 17, 18).

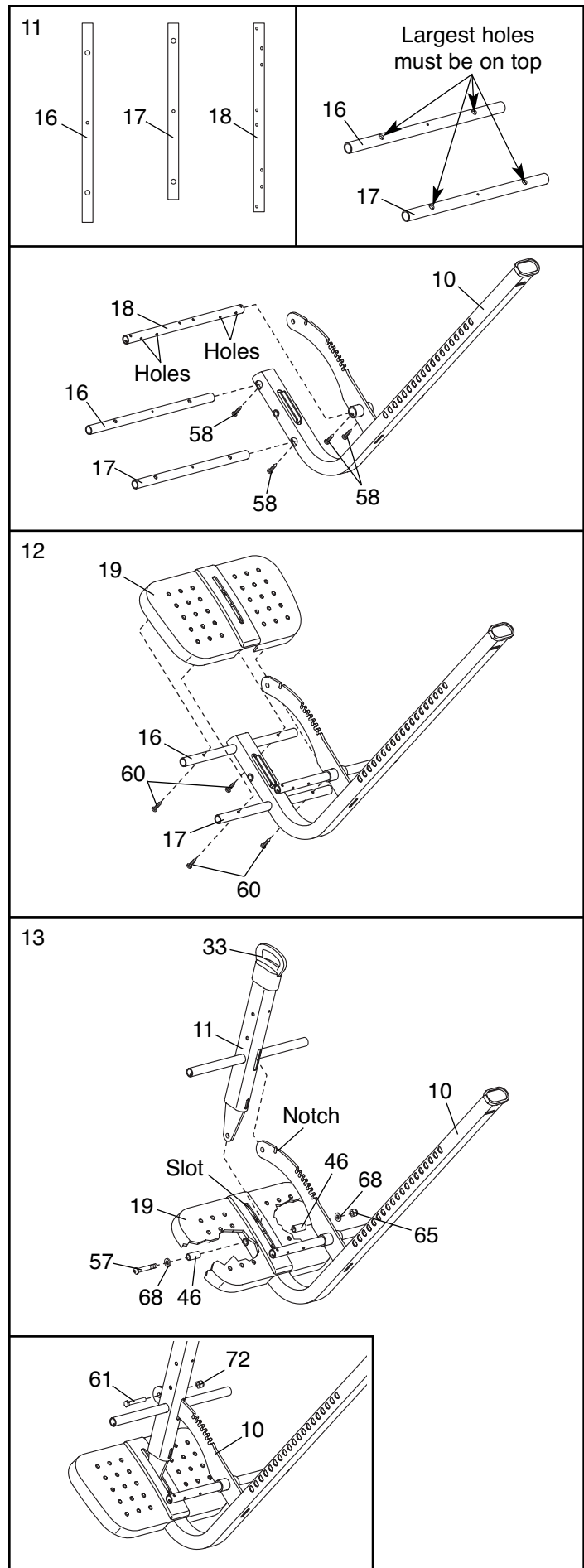
12. Set the Foot Plate (19) on the Top Tube (16) and the Bottom Tube (17). **Finger tighten** four M4 x 25mm Screws (60) through the Tubes into the Foot Plate. **Do not tighten the Screws yet.**

13. Slide the Lock Frame (11) onto the notched bracket on the Leg Frame (10), and insert the lower end of the Lock Frame into the slot in the Foot Plate (19). Attach the Lock Frame with an M10 x 75mm Button Bolt (57), two M10 Washers (68), two 16mm Spacers (46), and an M10 Nylon Locknut (65) as shown. **Make sure that the Button Bolt is inserted through the hole in the lower end of the Lock Frame.**

See step 12. Tighten the four M4 x 25mm Screws (60).

Pull the Ankle Lock Assembly (33) upward and pivot the Lock Frame (11) over the indicated notch in the bracket on the Leg Frame (10). Release the Lock Handle and engage the Lock Frame into the notch.

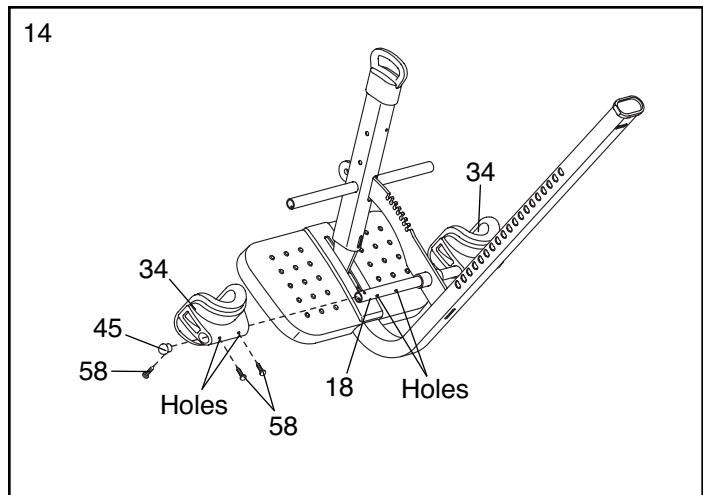
See the inset drawing. Attach an M8 x 16mm Button Bolt (61) and an M8 Nylon Locknut (72) to the hole in the end of the bracket on the Leg Frame (10).



14. Identify the two Rear Ankle Braces (34), which have holes in the indicated locations.

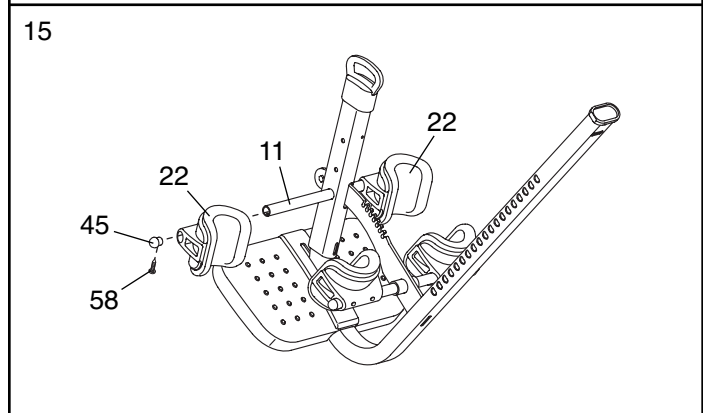
Slide a Rear Ankle Brace (34) onto the Ankle Brace Tube (18). Attach the Rear Ankle Brace with two M4 x 15mm Screws (58). **Make sure that the Screws are tightened into the indicated holes in the Ankle Brace Tube.** Next, press a 19mm Round Cap (45) into the Ankle Brace Tube, and attach the Round Cap with an M4 x 15mm Screw (58).

Attach the other Rear Ankle Brace (34) to the Ankle Brace Tube (18) in the same way.



15. Slide a Front Ankle Brace (22) onto the round tube on the Lock Frame (11). Next, press a 19mm Round Cap (45) into the round tube, and attach the Round Cap with an M4 x 15mm Screw (58).

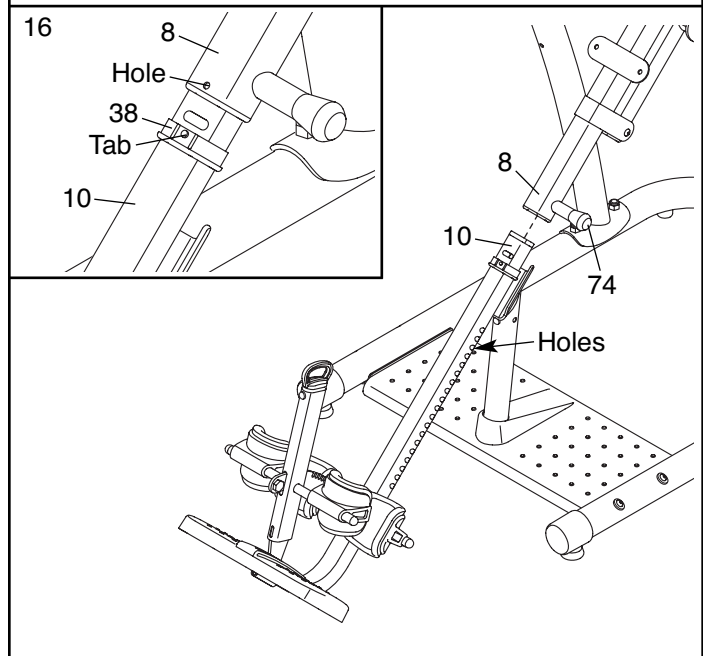
Attach the other Front Ankle Brace (22) in the same way.



16. Pull the Short Adjustment Knob (74) out as far as it will go, and insert the end of the Leg Frame (10) a few inches into the Backrest Frame (8).

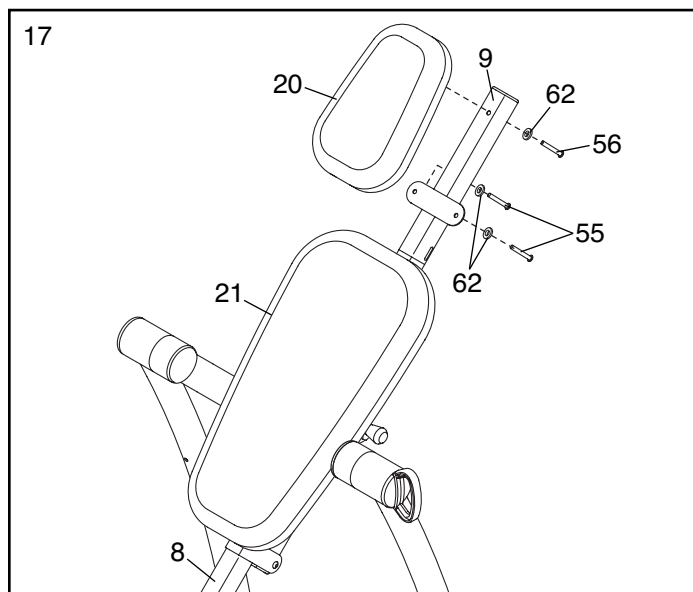
See the inset drawing. Press the round tab on the Leg Frame Bushing (38), and press the Leg Frame Bushing upward into the Backrest Frame (8). **Make sure that the round tab is in the indicated hole in the Backrest Frame.**

Then, slide the Leg Frame (10) farther into the Backrest Frame (8), and engage the Short Adjustment Knob (74) into one of the holes in the Leg Frame.



17. Attach the Headrest (20) to the Headrest Frame (9) with two M6 x 18mm Button Screws (55), an M6 x 55mm Button Screw (56), and three M6 Washers (62).

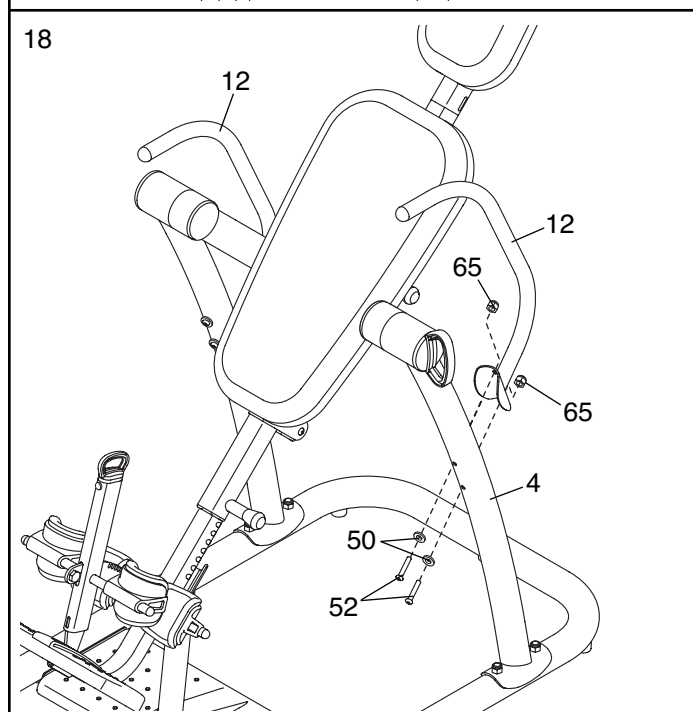
Attach the Backrest (21) to the Backrest Frame (8) in the same way.



18. Attach a Handle (12) to the Left Frame (4) with two M10 x 80mm Button Bolts (52), two M10 Curved Washers (50), and two M10 Nylon Locknuts (65).

Attach the other Handle (12) in the same way.

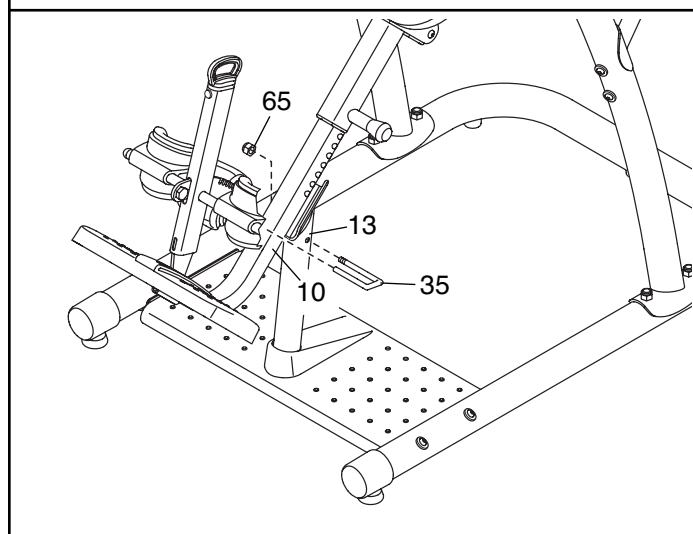
Make sure that all parts are properly tightened before you use the inversion table.



WARNING:

HOW TO LOCK THE INVERSION TABLE FOR STORE DISPLAY OR TO PREVENT UNSUPERVISED USE

When the inversion table is displayed in a store, or when it is not in use, it should be locked to prevent unsupervised use. First, insert the threaded end of the Lock Pin (35) into the Support Leg (13), and position the other end of the Lock Pin on top of the Leg Frame (10). Then, tighten an M10 Nylon Locknut (65) onto the Lock Pin.



ADJUSTMENT

This section explains how to adjust the inversion table. See DEVELOPING A PROGRAM on page 16 for important information about how to get the most benefit from the inversion table.

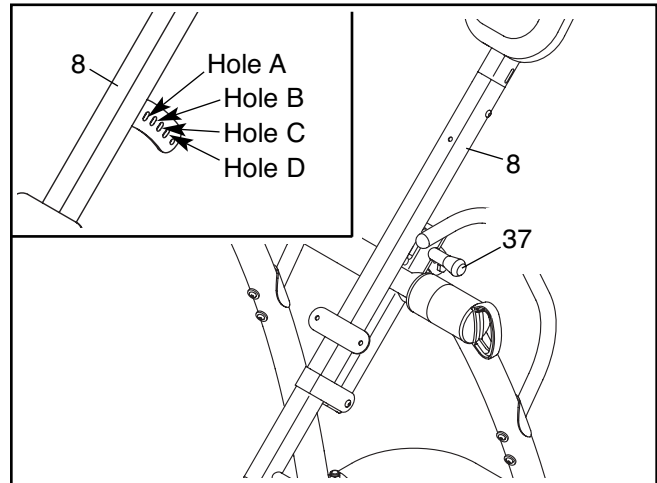
Make sure that all parts are properly tightened each time you use the inversion table. Replace any worn parts immediately. The inversion table can be cleaned with a damp cloth and a mild, non-abrasive detergent. **Do not use solvents to clean the inversion table.**

SELECTING THE BACKREST FRAME POSITION

See the inset drawing. The bracket on the Backrest Frame (8) has four adjustment holes. The correct hole to use will depend on your body weight and the desired level of responsiveness. See the chart to determine which hole to use. For example, if you weigh between 200 and 250 pounds and you are a beginning user, the chart recommends that you use hole A.

To adjust the Backrest Frame (8), first pull the Long Adjustment Knob (37) out as far as it will go. Move the Backrest Frame and engage the Long Adjustment Knob into the desired hole in the bracket on the Backrest Frame.

Try the inversion table with the Backrest Frame (8) adjusted to each position to determine which one is best for you.

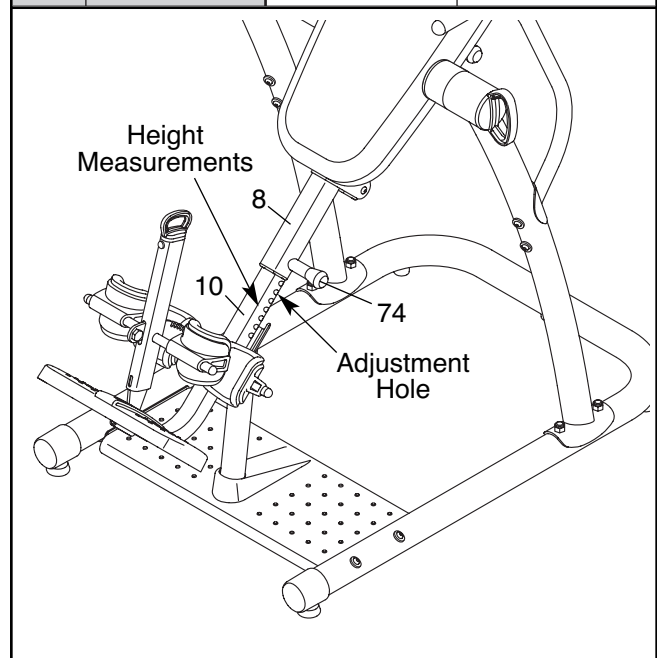


		Responsiveness	
		Beginner (Partial Inversion)	Advanced (Full Inversion)
Note: 1 lb. = 2.2 kg			
User Weight	250–300 lbs.	Hole A	Hole B
	200–250 lbs.	Hole A	Hole B
	150–200 lbs.	Hole B	Hole C
	80–150 lbs.	Hole C	Hole D

ADJUSTING THE LEG FRAME

The length of the Leg Frame (10) can be adjusted to correspond to your height. Pull the Short Adjustment Knob (74) out as far as it will go. Slide the Leg Frame into or out of the Backrest Frame (8) so that the first or second measurement greater than your height is covered by the Backrest Frame. Then, engage the Short Adjustment Knob into adjustment holes in the Leg Frame and the Backrest Frame.

Use the inversion table with the Leg Frame (10) adjusted to a few different lengths to determine which length is best for you.

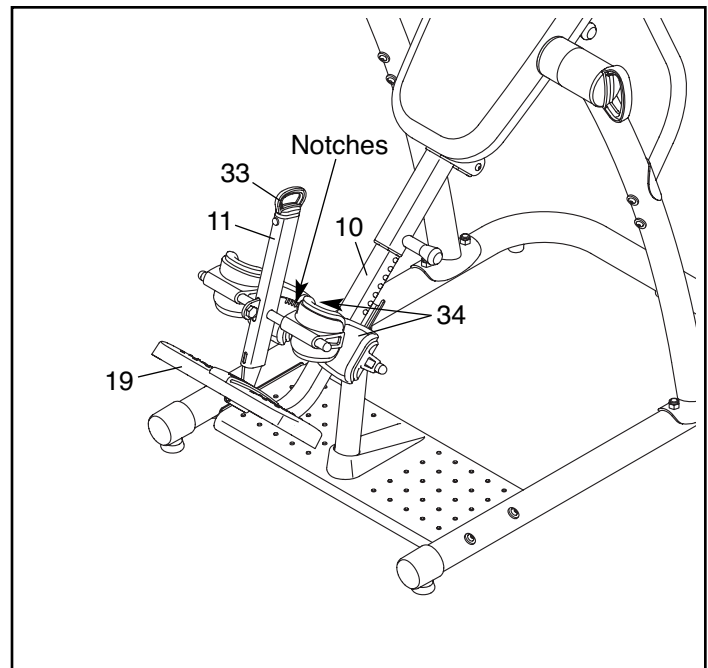


WARNING: The inversion table is designed to be used by persons 6 ft. 6 in. (198 cm) tall or less.

USING THE ANKLE LOCK

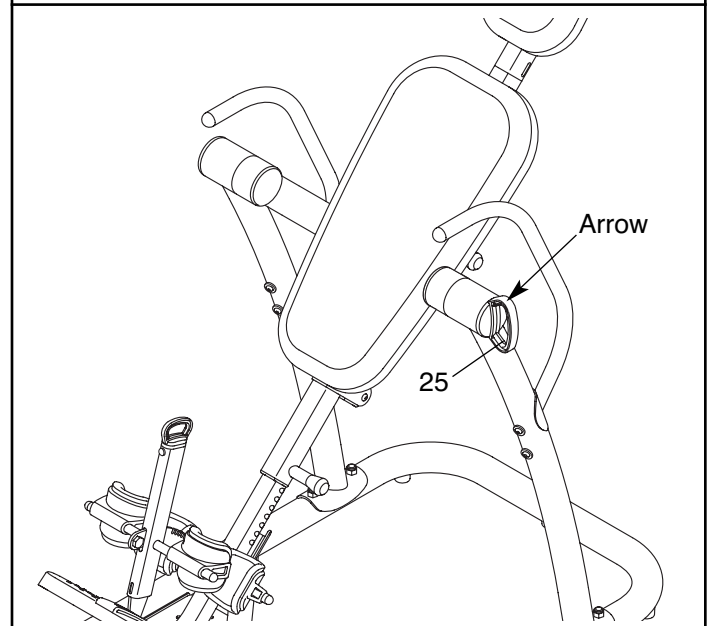
To secure your ankles in the inversion table, pull the Ankle Lock Assembly (33) out as far as it will go, and move the Lock Frame (11) away from the Leg Frame (10). Stand on the Foot Plate (19), with the backs of your legs against the Rear Ankle Braces (34). Then, push the Lock Frame against your ankles and engage the Lock Handle into a notch in the Leg Frame.

⚠ WARNING: Always make sure that the Lock Frame (11) is secured snugly against your ankles before using the inversion table. Always wear athletic shoes with laces to help secure your feet in the inversion table.



SETTING THE INVERSION ANGLE

The inversion table can be set to rotate between 15° and 90°, in 15° increments. To set the inversion angle, pull the Index Handle (25) out as far as it will go, and turn the Index Handle until the arrow on top of the Index Handle points to the desired degree setting. Then, release the Index Handle; **make sure that the Index Handle is fully engaged.**

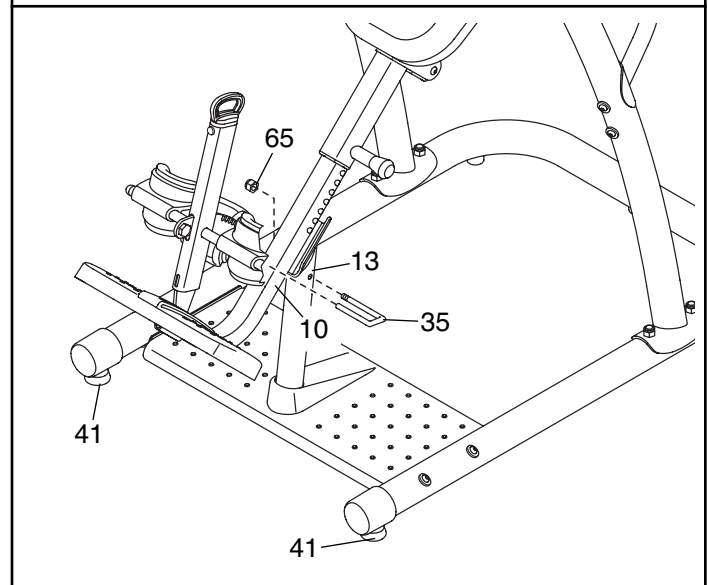


LEVELING THE INVERSION TABLE

If the inversion table rocks slightly on your floor, turn one or both of the Leveling Feet (41) until the inversion table is level.

LOCKING THE INVERSION TABLE

To lock the inversion table when you are not using it, insert the threaded end of the Lock Pin (35) into the Support Leg (13), and position the other end of the Lock Pin on top of the Leg Frame (10). Then, tighten an M10 Nylon Locknut (65) onto the Lock Pin.



ROTATING ON THE INVERSION TABLE

This section explains how to rotate back on the inversion table, and then return to the starting position. **Before using the inversion table, see the ADJUSTMENT section starting on page 13 to correctly set up the inversion table.** It may be helpful to have a second person ready to assist you as you learn to use the inversion table.

ROTATING BACK ON THE INVERSION TABLE

To rotate back on the inversion table, slowly lift your arms over your head until you reach the desired position. The speed at which you lift your arms will determine how quickly the inversion table will rotate. Rest your arms in a comfortable position that does not cause the inversion table to rotate. Note: The inversion table will rotate only to the degree setting set by the index handle.

ROTATING UP ON THE INVERSION TABLE

To return to the starting position, move your hands toward your waist until you rotate to a horizontal position. Rest in a horizontal position for 30 to 60 seconds before rotating to the starting position. This will allow your body to readjust. Return to the starting position slowly. Dizziness after using the inversion table is an indication that you have returned to the starting position too quickly.

To rotate up from the fully inverted position, pull yourself up using the handles.

Do not sit up to return to the starting position.

DEVELOPING A PROGRAM

This section contains information and suggestions about using the inversion table. Make sure that all parts are properly tightened each time you use the inversion table. Replace any worn parts immediately. **See the ADJUSTMENT section starting on page 13 to identify parts referred to in this section.**

BENEFITING FROM USING THE INVERSION TABLE INTERMEDIATE PROGRAM

If you feel nauseated while using the inversion table, return to the starting position. Note that it may take a few weeks of use for your inner ear to become accustomed to being inverted.

Do not use the inversion table right after you have eaten.

Moving while using the inversion table may make it a more comfortable experience, and may help joints and muscles stretch and relax. Always move in a slow, controlled manner.

The greater the angle at which the inversion table is used, the shorter the time that you should rotate back before rotating up. Increase the amount of inverted time and the angle of use gradually.

Always pay attention to how your body feels as you use the inversion table. Increase the level of intensity only as it is comfortable for you. When you feel like you have had enough, return to the starting position.

BEGINNER PROGRAM

The following are suggestions for persons who are just starting to use the inversion table.

Set the index handle to allow the backrest frame to rotate to 15° or less for the first one or two weeks. This will allow your body time to adjust to the change in gravitational pull.

Use the inversion table for one or two minutes at a time, two or three times a day.

Stay inverted only for as long as it is comfortable. This may be only a few seconds at first.

The following are suggestions for persons who have become comfortable using the inversion table as described under the BEGINNER PROGRAM.

Increase the angle to which the inversion table can rotate, as it is comfortable. Adjust the index handle to allow the inversion table to rotate to up to 60°, a few degrees at a time.

Start to do gentle stretching while using the inversion table.

Gradually increase the amount of time that you use the inversion table to ten minutes or more, two or three times a day. Routines can be varied from rotating back for one or two minutes and then up for 30 seconds, to rotating back and up for equal amounts of time.

FULL INVERSION PROGRAM

The following are suggestions for persons who have become comfortable using the inversion table as described under the INTERMEDIATE PROGRAM and desire to rotate to greater angles. Note that all the benefits of inversion can be gained by rotating to 60°. **Do not attempt to do sit-ups.**

Increase the angle to which the inversion table can rotate, as it is comfortable. Adjust the index handle to allow the inversion table to rotate until it comes in contact with the center frame.

Adjust the backrest frame so that the long adjustment knob is in the top hole (see SELECTING THE BACKREST FRAME POSITION on page 13). If you weigh 220 lbs. (100 kg) or more, adjust the long adjustment knob to the center hole in the backrest frame. Rotate back and up as described on page 15.

NOTES

PART LIST—Model No. 831.14595.5

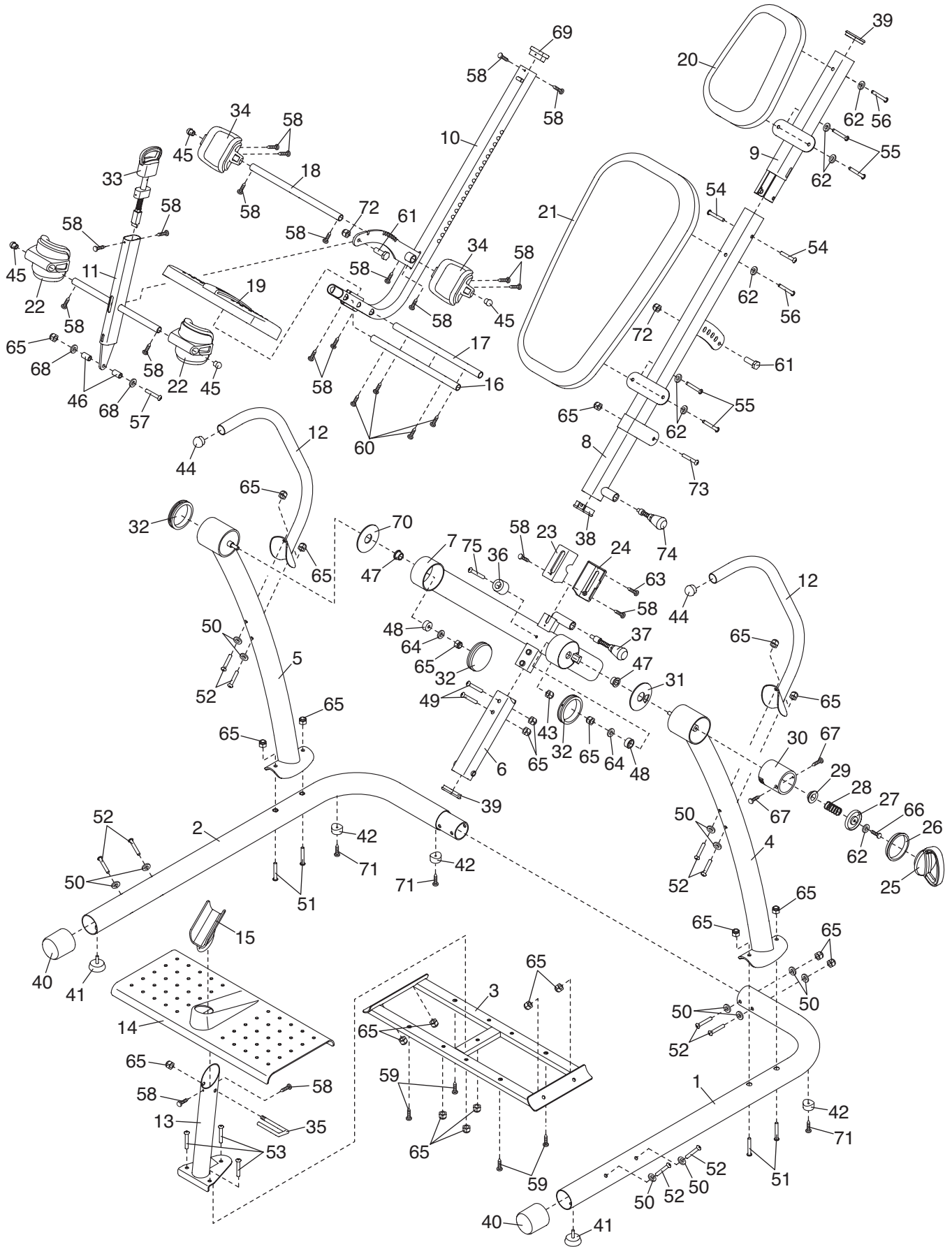
R1007A

Key No.	Qty.	Description	Key No.	Qty.	Description
1	1	Left Base	40	2	63mm Round Cap
2	1	Right Base	41	2	Leveling Foot
3	1	Center Base	42	3	Foot
4	1	Left Frame	43	1	M6 Nut
5	1	Right Frame	44	2	32mm Round Cap
6	1	Center Frame Extension	45	4	19mm Round Cap
7	1	Center Frame	46	2	16mm Spacer
8	1	Backrest Frame	47	2	Pivot Bushing
9	1	Headrest Frame	48	2	29mm Spacer
10	1	Leg Frame	49	2	M10 x 53mm Button Bolt
11	1	Lock Frame	50	12	M10 Curved Washer
12	2	Handle	51	4	M10 x 85mm Button Bolt
13	1	Support Leg	52	10	M10 x 80mm Button Bolt
14	1	Base	53	3	M10 x 35mm Button Bolt
15	1	Support Bracket	54	2	M10 x 16mm Button Screw
16	1	Top Tube	55	4	M6 x 18mm Button Screw
17	1	Bottom Tube	56	2	M6 x 55mm Button Screw
18	1	Ankle Brace Tube	57	1	M10 x 75mm Button Bolt
19	1	Foot Plate	58	20	M4 x 15mm Screw
20	1	Headrest	59	4	M5 x 25mm Screw
21	1	Backrest	60	4	M4 x 25mm Screw
22	2	Front Ankle Brace	61	2	M8 x 16mm Button Bolt
23	1	Top Cover	62	7	M6 Washer
24	1	Bottom Cover	63	1	M4 x 30mm Screw
25	1	Index Handle	64	2	M10 Large Washer
26	1	Index Ring	65	24	M10 Nylon Locknut
27	1	Cup Washer	66	1	M6 x 15mm Screw
28	1	Small Spring	67	2	M5 x 15mm Screw
29	1	Cup Bushing	68	2	M10 Washer
30	1	Index Cup	69	1	30mm x 60mm Cap
31	1	Left Large Spacer	70	1	Right Large Spacer
32	3	89mm Cap	71	3	M4 x 20mm Screw
33	1	Ankle Lock Assembly	72	2	M8 Nylon Locknut
34	2	Rear Ankle Brace	73	1	M10 x 95mm Button Bolt
35	1	Lock Pin	74	1	Short Adjustment Knob
36	1	Bumper	75	1	M6 x 60mm Button Bolt
37	1	Long Adjustment Knob	*	—	User's Manual
38	1	Leg Frame Bushing	*	—	Hex Key
39	2	42mm x 70mm Cap	*	—	Grease Packet

Note: Specifications are subject to change without notice. See the back cover of this manual for information about ordering replacement parts. *These parts are not illustrated.

EXPLODED DRAWING—Model No. 831.14595.5

R1007A



ORDERING REPLACEMENT PARTS

To order replacement parts, please see the front cover of this manual. To help us assist you, be prepared to provide the following information when contacting us:

- the model number and serial number of the product (see the front cover of the manual)
- the name of the product (see the front cover of this manual)
- the key number and description of the part(s) (see the PART LIST and the EXPLODED DRAWING near the end of this manual)

LIMITED WARRANTY

WHAT IS COVERED—The entire NordicTrack REVITALIZE INVERSION SYSTEM inversion table (“Product”) is warranted to be free of all defects in material and workmanship.

WHO IS COVERED—The original purchaser or any person receiving the Product as a gift from the original purchaser.

HOW LONG IS IT COVERED—ICON Health & Fitness, Inc. (“ICON”) warrants the product for 90 days after the date of purchase. Labor is covered for 90 days.

WHAT WE DO TO CORRECT COVERED DEFECTS—We will ship to you, without charge, any replacement part or component, providing the repairs are authorized by ICON first and are performed by an ICON trained and authorized service provider, or, at our option, we will replace the Product.

WHAT IS NOT COVERED—Any failures or damage caused by unauthorized service, misuse, accident, negligence, improper assembly or installation, alterations, modifications without our written authorization or by failure on your part to use, operate, and maintain as set out in your User’s Manual (“Manual”).

WHAT YOU MUST DO—Always retain proof of purchase, such as your bill of sale; store, operate, and maintain the Product as specified in the Manual; notify our Customer Service Department of any defect within 10 days after discovery of the defect; as instructed, return any defected part for replacement or, if necessary, the entire product, for repair.

USER’S MANUAL—It is VERY IMPORTANT THAT YOU READ THE MANUAL before operating the Product. Remember to do the periodic maintenance requirements specified in the Manual to assure proper operation and your continued satisfaction.

HOW TO GET PARTS AND SERVICE—Simply call our Customer Service Department at 1-888-825-2588 and tell them your name and address and the serial number of your Product. They will tell you how to get a part replaced, or if necessary, arrange for service where your Product is located or advise you how to ship the Product for service. Before shipping, always obtain a Return Authorization Number (RA No.) from our Customer Service Department; securely pack your Product (save the original shipping carton if possible); put the RA No. on the outside of the carton and insure the product. Include a letter explaining the product or problem and a copy of your proof of purchase if you believe the service is covered by warranty.

ICON is not responsible or liable for indirect, special or consequential damages arising out of or in connection with the use or performance of the product or damages with respect to any economic loss, loss of property, loss of revenues or profits, loss of enjoyment or use, costs of removal, installation or other consequential damages of whatsoever nature. Some states do not allow the exclusion or limitation of incidental or consequential damages. Accordingly, the above limitation may not apply to you.

The warranty extended hereunder is in lieu of any and all other warranties and any implied warranties of merchantability or fitness for a particular purpose is limited in its scope and duration to the terms set forth herein. Some states do not allow limitations on how long an implied warranty lasts. Accordingly, the above limitation may not apply to you.

No one is authorized to change, modify or extend the terms of this limited warranty. This warranty gives you specific legal rights and you may have other rights which vary from state to state.

ICON HEALTH & FITNESS, INC., 1500 S. 1000 W., LOGAN, UT 84321-9813