

CULTIVATOR

INSTRUCTION BOOK

Model
11052x4D

Read and keep this book for future reference.
This book contains important information on
SAFETY, ASSEMBLY, OPERATION, AND MAINTENANCE.

PRODUCT INFORMATION

The owner must be certain that all the product information is included with the unit. This information includes the INSTRUCTION BOOKS, the REPLACEMENT PARTS and the WARRANTIES. This information must be included to make sure state laws and other laws are followed.

MOTOBINEUSE

Modèle
11052x4D

MANUEL D'INSTRUCTIONS

lire attentivement ce livret et le conserver pour référence ultérieure. Ce manuel renferme d'importantes informations sur
LA SÉCURITÉ, LE MONTAGE, L'UTILISATION ET L'ENTRETIEN.

INFORMATIONS SUR LE PRODUIT

Le propriétaire doit vérifier que toutes les informations sur le produit sont livrées avec celui-ci. Ces informations incluent : les MANUELS D'INSTRUCTIONS, les PIÈCES DÉTACHÉES, et les CERTIFICATS DE GARANTIE. Ces informations doivent accompagner la machine pour assurer la conformité aux lois des États et aux lois fédérales.

CULTIVADORA

MANUAL DE INSTRUCCIONES

Modelo
11052x4D

Lea y guarde este manual para consultas futuras
Este manual contiene información importante acerca de
SEGURIDAD, ENSAMBLADO, OPERACIÓN Y MANTENIMIENTO.

INFORMACIÓN DEL PRODUCTO

El propietario debe comprobar que toda la información acerca del producto esté incluida con la unidad. Esta información incluye los MANUALES DE INSTRUCCIÓN, las PIEZAS DE REPUESTOS y las GARANTÍAS. Toda esta información debe estar incluida para asegurar que se cumplan las leyes estatales y otras leyes aplicables.

MURRAY, INC. Two Year Limited Warranty

Murray, Inc. warrants to the original purchaser that this unit shall be free from defects in material and workmanship under normal use and service for a period of **Two (2) Years** from the date of purchase; however, this warranty does not cover engines, accessories (such as snow blowers, snow blades, grass baggers and plows), transmissions, batteries and Normal Wear Parts (except as noted below) or transaxles as the companies that manufacture these items furnish their own warranties and provide service through their authorized field service facilities. For additional information, see the warranties covering these particular parts. If you are uncertain whether your unit contains or is equipped with one or more of these parts, consult your dealer prior to purchase. Subject to the terms and conditions noted in this Limited Warranty, we shall, at our option, repair or replace at no cost to the original purchaser any part covered by this Limited Warranty during the applicable warranty period.

In the event the battery proves defective within ninety (90) days from the date of purchase, we will replace it without charge. If the battery proves defective after (90) days but within one hundred twenty (120) days from the date of purchase, we will replace it for a charge of one half (1/2) of the retail price of the battery in effect at the time of return.

Normal Wear Parts are defined as belts, blades, blade adapters, pneumatic tires, headlights and seat covers. These parts are warranted to be free from defects in material and workmanship as delivered with the product. Any claim for repair or replacement of Normal Wear Parts must be made within thirty (30) days of the date of purchase. No claims involving damage caused from material use, abuse or misuse will be honored.

This **Murray, Inc. Two (2) Year Limited Warranty** is your exclusive remedy; however, this warranty is void or does not apply to any unit that has been tampered with, altered, misused, abused or used for rental or other commercial and/or professional (non-homeowner) uses. Your warranty does not cover minor mechanical adjustments which are not due to any defect in material or workmanship. For assistance in making such adjustments, consult your Instruction Book.

To make a claim under this **Murray, Inc. Two (2) Year Limited Warranty**, return the unit (or if authorized in advance, the defective part) along with your proof of purchase to an Authorized Service Center near you. To locate the nearest Authorized Service Center, call the Central Parts Distributor for your area shown in the list provided with your unit or check the Yellow Page listings in your local telephone directory. If you return the entire unit, we will repair the unit. If we authorize the return of the defective part only, we will either replace or repair the part. In the case of a defect in a transmission or differential (as distinguished from a transaxle), the entire transmission or differential must be returned since they do not include user serviceable parts.

This **Murray, Inc. Two (2) Year Limited Warranty** gives you specific legal rights, and you may also have other rights which vary from state to state. **This Limited Warranty is given in lieu of all other expressed and implied warranties including the implied warranty of merchantability and warranty of fitness for a particular purpose.** If you need additional information on this written warranty or assistance in obtaining service, call or write to the address below. The model number along with the CUSTOMER CARE Center 1-800 number is on the Model Number Nameplate attached to the unit.

MURRAY, INC.

Outdoor Power Equipment
Customer Service Department
P.O. Box 268
Brentwood, Tennessee 37027

OWNER'S INFORMATION

This instruction book is written for a person with some mechanical ability. Like most service books, not all the steps are described. Steps on how to loosen or tighten fasteners are steps anyone can follow with some mechanical ability. Read and follow these instructions before you use the unit.

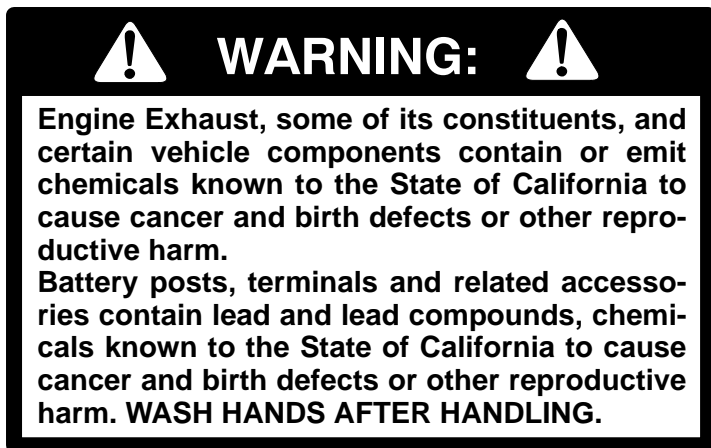
Know your product: If you understand the unit and how the unit operates, you will get the best performance. As you read this manual, compare the illustrations to the unit. Learn the location and the function of the controls. To help prevent an accident, follow the operating instructions and the safety rules. Keep this manual for future reference.

IMPORTANT: Many units are not assembled and are sold in cartons. It is the responsibility of the owner to make sure the assembly instructions in this manual are exactly followed. Other units are purchased in an assembled condition. On assembled units, it is the responsibility of the owner to make sure the unit is correctly assembled. The owner must carefully check the unit according to the instructions in this manual before it is first used.

RESPONSIBILITY OF THE OWNER

The responsibility of the owner is to follow the instructions below.

1. Carefully read and follow the rules for safe operation.
2. Follow all the assembly and preparation instructions.
3. Inspect the unit.
4. Make sure that the operator of the unit knows how to correctly use all standard and accessory equipment.
5. Operate the unit only with guards, shields, and other safety items in place and working correctly.
6. Correctly adjust the unit.
7. Service the unit only with authorized or approved replacement parts.
8. Complete all maintenance on the unit.



SAFETY RULES

Safe Operation Practices for Cultivator



WARNING: Look for this symbol to point out important safety precautions. It means: "Attention! Become Alert! Your Safety Is Involved."



WARNING: To prevent accidental starting when setting-up, transporting, adjusting or making repairs, always disconnect spark plug wire and put wire where it cannot contact the spark plug .

IMPORTANT: Safety standards require operator presence controls to minimize the risk of injury. Your cultivator is equipped with such controls. Do not attempt to defeat the function of the operator presence control under any circumstances.

Before Use

- Read the owner's manual carefully. Be thoroughly familiar with the controls and the proper use of the cultivator. Know how to stop the cultivator and disengage the controls quickly.
- Do not operate the cultivator without wearing adequate outer garments. Wear footwear that will improve footing on slippery surfaces.
- Keep the area of operation clear of all persons, particularly small children and pets.
- Thoroughly inspect the area where the cultivator is to be used and remove all foreign objects.
- Keep in mind that the operator or user is responsible for accidents or hazards occurring to other people, their property, and themselves.
- Disengage all clutches and shift into neutral before starting the engine (motor).

Fuel Safety

- Handle fuel with care; it is highly flammable.
- Use an approved container.
- Check fuel supply before each use, allowing space for expansion as the heat of the engine and/or sun can cause fuel to expand.

F-031306L

- Fill fuel tank outdoors with extreme care. Do not smoke while refueling. Never fill fuel tank indoors. Replace fuel tank cap securely and wipe up spilled fuel.
- If fuel is spilled, do not attempt to start the engine but move the machine away from the area of spillage and avoid creating any source of ignition until fuel vapors have dissipated.
- Never remove the fuel tank cap or add fuel to a running or hot engine.
- Never store fuel or cultivator with fuel in the tank inside a building where fumes may reach an open flame.

Operating Safety

- Never allow children or young teenagers to operate the cultivator. Keep them away while it is operating. Never allow adults to operate the cultivator without proper instruction.
- Do not operate this machine if you are taking drugs or other medication which can cause drowsiness or affect your ability to operate this machine.
- Do not use this machine if you are mentally or physically unable to operate this machine safely.
- Always wear safety glasses or eye shields during operation or while performing an adjustment or repair to protect your eyes from foreign objects that may be thrown from the cultivator.
- Do not put hands or feet near or under rotating parts.
- Exercise extreme caution when operating on or crossing gravel drives, walks, or roads. Stay alert for hidden hazards or traffic.
- Exercise caution to avoid slipping or falling.
- Never operate the cultivator without proper guards, plates, or other safety protective devices in place.
- Use only attachments and accessories approved by the manufacturer of the machine

SAFETY RULES

(such as wheel weights, counterweights, and the like.

- Never operate the cultivator at high transport speeds on hard or slippery surfaces. Look behind and use care when backing.
- Never allow bystanders near the cultivator.
- Keep children and pets away while operating.
- Never operate the cultivator without good visibility or light.
- Be careful when tilling in hard ground. The tines may catch in the ground and propel the tiller forward. If this occurs, let go of the handlebars and do not restrain the machine.
- Use extreme care when reversing or pulling the machine towards you.
- Do not change the engine governor settings or overspeed the engine.
- Start the engine or switch on the motor carefully according to instructions and with feet well away from the tines.
- Never pick up or carry a machine while the engine is running.
- Do not run the engine indoors. The exhaust fumes are dangerous, containing CARBON MONOXIDE, an ODORLESS and DEADLY GAS.
- Take all possible precautions when leaving the cultivator unattended. Stop the engine, and if equipped, remove the key.
- Do not overload the cultivator capacity by attempting to till too deep at too fast a rate.
- Never store the cultivator with fuel in the fuel tank inside a building where ignition sources are present such as water and space heaters, clothes dryers, and the like. Allow the engine to cool before storing in any enclosure.
- If the fuel tank has to be drained, do this outdoors.
- Keep the cultivator in safe working condition. Check all fasteners at frequent intervals for proper tightness.

Repair / Adjustments Safety

- After striking a foreign object, stop the engine. Remove the wire from the spark plug, and keep the wire away from the plug to prevent accidental starting. Thoroughly inspect the cultivator for any damage, and repair the damage before restarting and operating it.
- If cultivator should start to vibrate abnormally, stop engine and check immediately for the cause. Vibration is generally a warning of trouble.
- Stop the engine whenever you leave the operating position. Also, disconnect the spark plug wire before unclogging the tines and when making any repairs, adjustments, or inspections.
- When cleaning, repairing, or inspecting, shut off the engine and make certain all moving parts have stopped.
- Never attempt to make any adjustments while the engine is running except when specifically recommended by the manufacturer.

Safe Storage

- Always refer to the owner's manual instructions for important details if the cultivator is to be stored for an extended period.

SAFETY RULES

INTERNATIONAL SYMBOLS

IMPORTANT: Many of the following symbols are located on your unit or on literature supplied with the product. Before you operate the unit, learn and understand the purpose for each symbol.

Control And Operating Symbols



Slow



Fast



Fuel



Oil

Choke OFF

Half Choke

Full Choke



Safety Warning Symbols



WARNING
Thrown Objects.
Keep Bystanders Away.



WARNING
Rotating Parts. Stop Engine.
Disconnect Spark Wire Before
Making Adjustments.



WARNING



IMPORTANT
Read Owner's Manual
Before Operating
This Machine.



WARNING
Wear Eye Protection



STOP

ASSEMBLY

ASSEMBLY

PARTS PACKED SEPARATELY IN CARTON

- 1 - Owner's Manual (not shown)
- 1 - Upper Handle
- 1 - Right Lower Handle
- 1 - Left Lower Handle
- 1 - Parts Bag



WARNING: Always wear safety glasses or eye shields while assembling the cultivator.

Figure 1 shows the cultivator completely assembled.

References to the right or left side of the cultivator are from the viewpoint of the operator's position behind the unit.

HOW TO REMOVE THE CULTIVATOR FROM THE CARTON

1. Remove the parts bag from the carton.
2. Remove the handles from the carton.
3. Remove the packing material positioned around the unit.
4. Lift the cultivator out of the carton and place on a hard level surface.
5. Remove the packing material from the tines.

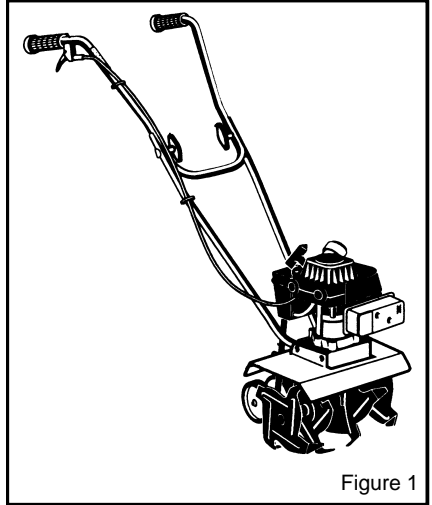


Figure 1

HOW TO ASSEMBLE THE HANDLE

The lower handles have a short bend at the bottom and have been flattened at the top.

1. Unwind the throttle control from around the engine. Straighten the throttle cable. Make sure that you do not bend or kink the cable.
2. Remove the **locknuts**, **spacers**, and **screws** from the **tine shield** (see Figure 2).

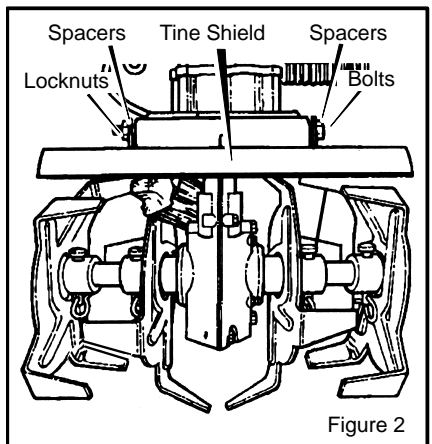
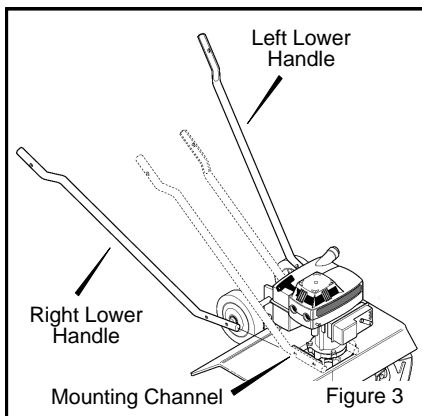


Figure 2

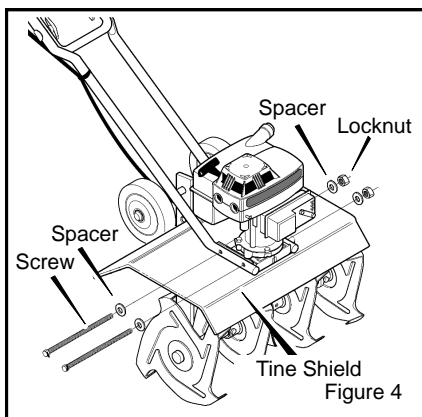
ASSEMBLY

3. Insert the **right lower handle** into the **mounting channel** (see Figure 3). Make sure the flat end at the top of the handle is facing inward.
4. Mount a **spacer** on each **screw**. Push the **screws** through the **tine shield**, the **lower handle**, and half way through the engine casing (see Figure 4).



5. Insert the **left lower handle** into the **mounting channel** (see Figure 3). Make sure the flat end at the top of the handle is facing inward.

6. Push the **screws** through the engine casing, the **lower handle**, and the **tine shield**. Secure with **spacers** and **locknuts** as shown in Figure 4. Do not tighten at this time.



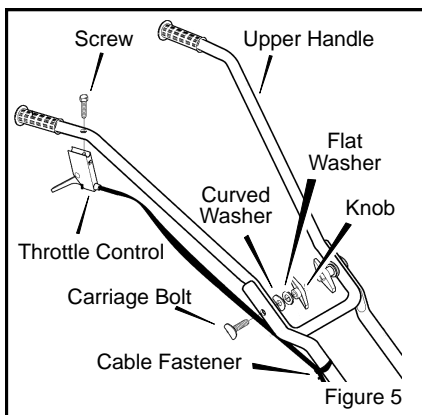
7. Remove the fasteners from the **upper handle** (see Figure 5).
8. Assemble the **upper handle** to the lower handles with the fasteners removed in step 7.
9. Tighten the **knobs**.

NOTE: To tighten the knobs, hold the curved carriage bolt head against the outside of the lower handle as you tighten the knobs.

10. Tighten the **locknuts** that hold the ends of the lower handles (see Figure 4). Tighten only enough to firmly hold the handles.

CAUTION: Over tightening the locknuts can change the shape of the handle and damage the engine casing.

11. Mount the **throttle control** on the right side of the **upper handle** with the **screw** as shown in Figure 5.



12. Attach the throttle control cable to the lower handle with the **cable fastener**. Make sure the throttle control cable is routed to the outside of the handles.

ASSEMBLY

✓ CHECKLIST

For the best performance and satisfaction from this quality product, please review the following checklist before you operate the cultivator:

- ✓ All assembly instructions have been completed.
- ✓ Check carton. Make sure no loose parts remain in the carton.
- ✓ All fasteners have been properly tightened.

As you learn how to use the cultivator, pay extra attention to the following important items:

- ✓✓ Fuel tank is filled with a fresh, clean, fuel mixture.
- ✓✓ Become familiar and understand the function of all controls. Before you start the engine, operate all controls.

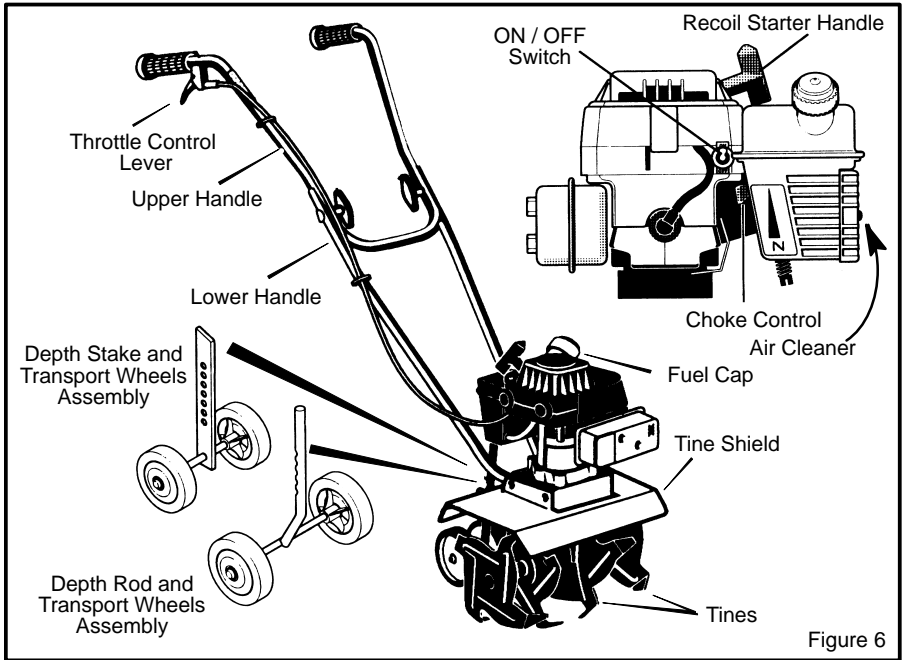
IMPORTANT: This unit is equipped with an internal combustion engine and must not be used on or near any unimproved forest-covered, brush-covered or grass-covered land unless the engine's exhaust system is equipped with a spark arrester meeting applicable local or state laws (if any). If a spark arrester is used, it must be maintained in effective working order by the operator.

In the State of California the above is required by law (Section 4442 of the California Public Resources Code). Other states may have similar laws. Federal laws apply on federal lands. See an Authorized Service Center for a spark arrester for the muffler.

OPERATION

KNOW YOUR CULTIVATOR

READ THE OWNER'S MANUAL AND ALL SAFETY RULES BEFORE YOU OPERATE the cultivator. To familiarize yourself with the location of the controls, compare the illustrations with your cultivator. **Save this manual for future reference.**



Throttle Control - Controls the engine speed and the tine rotation. The cultivator is equipped with a centrifugal clutch that engages the tine drive system when the engine speed is increased.

Choke Control Lever - Use to assist when starting a cold engine.

ON / OFF Switch - The ON position allows the engine to start. The OFF position stops the engine and keeps the engine from starting.

Recoil Starter Handle - The engine is equipped with an easy pull recoil starter.

Depth Stake or Depth Rod - Two types are shown. Mount with the wheels up to adjust the depth of cut. Also use to help control the direction and speed of the cultivator.

Transport Wheels - Mount with the wheels down when transporting the cultivator.

EYE PROTECTION

Always wear safety glasses. If you wear eye glasses, put a Wide Vision Safety Mask over your eye glasses.



WARNING: Debris thrown from the cultivator can result in foreign objects being thrown into the eyes, which can cause severe eye damage. Always wear safety glasses or eye shields when operating the cultivator.

OPERATION

HOW TO USE THE CULTIVATOR

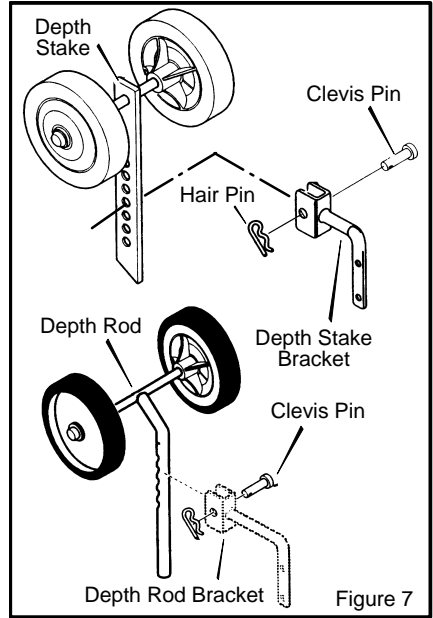
How To Stop The Cultivator

1. Release the throttle control to stop the tines.
2. Move the ON/OFF switch, on the engine, to the OFF position.

How To Set The Depth

Your model will either have a **depth stake** or a **depth rod** to control the tilling depth and the forward speed. Set the **depth stake** or the **depth rod** to the desired tilling position as follows:

1. Remove the **hairpin** and the **clevis pin** from the **depth stake** or **depth rod** (see Figure 7).
2. Adjust the **depth stake** or **depth rod** upward to dig shallower or downward to dig deeper.
3. Reinstall the **clevis pin** and **hairpin**.



HOW TO OPERATE THE CULTIVATOR

1. Start the engine. See "How To Start The Engine".
2. Tilt the unit back on the depth stake or depth rod until the tines are off the ground. Squeeze the throttle control all the way up against the hand grip. The engine is governor controlled and must be run at full throttle while tilling.
3. Hold the handle firmly and slowly tilt the unit forward to begin the tilling action.
4. As the tines begin to make contact with the ground, hold back on the handles so that the tines will dig into the soil and not ride forward over the ground.
5. Avoid tilling soil that is too dry as it will pulverize and produce a dust that will not hold water. Also, tilling soil that is too wet will be hard on the machine and produce unsatisfactory clods.
6. Lowering the depth stake will slow the cultivator and make it till deeper. Raising the depth bar will allow it to move faster and till more shallow. See "How To Set The Depth Stake or Depth Rod".



WARNING: Keep away from the rotating tines. Rotating tines can cause injury.

OPERATION

BEFORE STARTING THE ENGINE

How To Prepare The Engine



WARNING: Always use a safety fuel container. Do not smoke when adding the fuel mixture to the engine. When inside an enclosure, do not fill the fuel tank. Before you add the fuel mixture, stop the engine. Let the engine cool for several minutes.

How To Mix The Fuel Mixture

The two cycle engine, used on this cultivator, requires a mixture of gasoline and oil for lubrication of the bearings and other moving parts. The correct fuel mixture ratio is 24:1 (5.3 oz. oil per one gallon of gas - see the Fuel Mixture Chart). Gasoline and oil must be pre-mixed in a clean gasoline container. Always use fresh, clean, unleaded gasoline.

Mix gasoline and oil as follows:

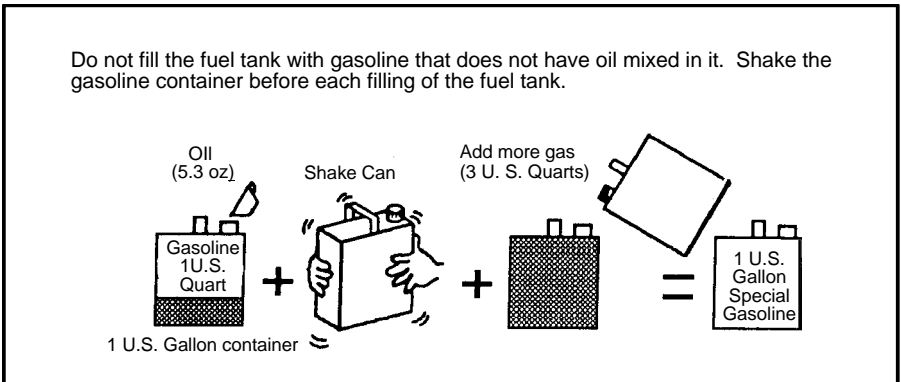
1. Pour one (1) U.S. quart of fresh, clean, unleaded automotive gasoline into a one gallon size gasoline container.
2. Add 5.3 ounces of clean, high quality, two-cycle oil to the gasoline container.

IMPORTANT: Do not use outboard motor oil or multi-viscosity oils, such as 10W-30 or 10W-40.

3. Install the fuel cap onto the gasoline container. Vigorously shake the gasoline container to mix the oil with the gasoline.
4. Add an additional three (3) U.S. quarts of gasoline to the gallon container. Again shake the gasoline container.
5. This completes the gasoline mixing procedure. The gasoline can now be added to the fuel tank.

FUEL MIXTURE CHART (mixture 24:1)

U.S.		SI. (Metric)	
GAS	OIL	GAS	OIL
1 Gal.	5.3 oz.	4 Liters	.167 L
2 Gal.	11 oz.	8 Liters	.333 L
5 Gal.	27 oz.	20 Liters	.833 L



OPERATION

HOW TO START THE ENGINE

Before you start the engine, make sure that you have read and understand all the instructions on the preceding pages.

1. Fill the fuel tank to 1/2 inch below the bottom of the fill neck. Reinstall the fuel tank cap securely. Always use fresh fuel. Never use fuel that could be stale from long periods of storage.
2. Move the ON/OFF switch to the ON position (see Figure 8).
3. If the engine is cold, move the choke control to the **Full Choke** position (all the way down).

NOTE: Do not choke a hot or warm engine.

4. Put the unit firmly on the tines and depth stake, or wheels, in an open area.
5. Hold the right handle firmly with your left hand.
6. Hold the rope handle with your right hand and pull to start the engine. Repeat if necessary. (It is sometimes necessary to hold the throttle control lever against the hand grip with your left hand. As

soon as the engine starts, slowly release the throttle control. If released too slowly, the unit will sometimes move forward).

7. When the engine starts, move the choke lever to the **Half Choke** position. When the engine runs smoothly, move the choke lever to the **No Choke** position.

NOTE: If the tines do not stop when the throttle control is released, adjust the carburetor idle speed. See "How To Adjust The Carburetor" in the Service And Adjustments.

8. To stop the engine, release the throttle control and move the ON/OFF switch to the OFF position.
9. If the engine becomes flooded remove and dry the spark plug. See "Spark Plug Maintenance" in the Maintenance section of this manual. Then, pull the starter rope with the choke lever in the **No Choke** position.



WARNING: The muffler and surrounding areas become hot after running the engine. Avoid these areas.

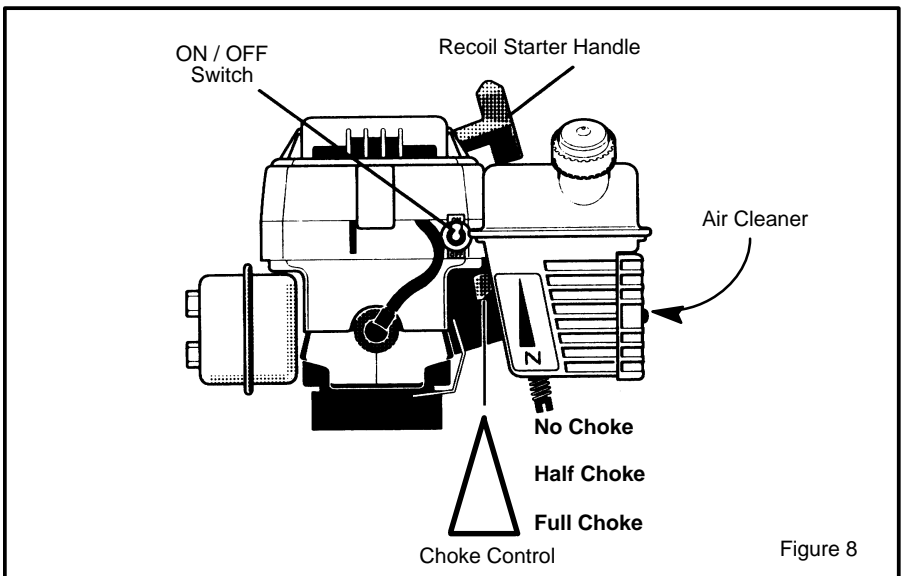


Figure 8

OPERATION

CULTIVATING TIPS

- Tilling is digging in, turning over and breaking up packed soil before planting. Loose unpacked soil helps root growth. Best tilling depth is 4 to 6 inches. A tiller will also clear the soil of unwanted vegetation. The decomposition of this vegetation matter enriches the soil. Depending on the climate (rainfall and wind), it may be advisable to till the soil at the end of the growing season to further condition the soil.
- Avoid tilling soil that is too dry as it will pulverize and produce a dust that will not hold water. Also, tilling soil that is too wet will be hard on the machine and produce unsatisfactory clods.
- Better growth will be obtained if an area is tilled properly and used soon after tilling to preserve the moisture content.
- The depth stake (on the back of the cultivator) serves a dual purpose. It helps regulate the depth of the cut and also acts as a brake to help the operator control the speed of the cultivator.
- Lowering the depth stake will slow the cultivator and make it till deeper. Raising the depth stake will allow it to move faster and till more shallow.
- If the cultivator stops forward motion and tries to dig deeper than necessary, move the handles from side to side to start forward motion.
- Cultivating is loosening or digging around growing plants which allows the plants to flourish.
- When using the cultivator to remove weeds, it is best to cultivate no deeper than 1-1/2 inches. Cultivating deeper will only pull to the surface ungerminated weed seeds. Raising the depth stake will allow it to move faster and till more shallow.
- When cultivating around plants or close areas, you may want to remove the outside tines. See "Tine Replacement" in the Service/Adjustments section.



WARNING: Read the Owner's manual. Know location and functions of all controls. Keep all safety devices and shields in place. Never allow children or un instructed adults to operate cultivator. Shut off engine before unclogging tines or making repairs. Keep bystanders away from machine. Keep away from rotating parts and tines. They can cause injury.

HINTS FOR DEPTH STAKE OR WHEEL ADJUSTMENT

Light cultivation (about 1 to 2 inches depth) with moderate growth

Adjust the wheels upward to their highest or next to their highest position. Make sure the handles are at a comfortable height for operating the cultivator.

Seed bed preparation (4 to 6 inches depth)

Use the depth stake. Adjust the depth stake downward for deeper cultivation.

Heavy soil (4 inch depth or greater)

Remove the depth stake and work the tines down with a back and forth motion to at least a depth of 4 inches. Slowly pull the cultivator backward allowing the soil to feed forward over the tines.

MAINTENANCE

CUSTOMER RESPONSIBILITIES

SERVICE RECORDS Fill in dates as you complete regular service.	Before Each Use	After First 2 Hours	Every 25 Hours	Every 75 Hours	Before Storage	Before Each Season	SERVICE DATES
Tighten All Screws and Nuts	√	√					
Lubricate Tine Shaft			√		√		
Lubricate Transmission			√			√	
Check Spark Plug			√		√		
Clean and Oil Air Cleaner Filter			√		√		
Clean Cylinder Exhaust Ports				√			
Drain Fuel					√		

PRODUCT SPECIFICATIONS

Model No.:	See Nameplate
Date Of Purchase:	
Horse Power:	2
Displacement:	3.0 cu. in. (49.2 cc.)
Gasoline Capacity:	20 oz.
Fuel/Oil Mix Ratio:	24:1 Oil To Gas (5.3 oz. oil to 1 gal. gas) (use unleaded regular)
Spark Plug:	Champion RCJ-8Y
Spark Plug Gap:	0.035 inch
Idle RPM:	1700-3000

GENERAL RECOMMENDATIONS

The warranty on this cultivator does not cover items that have been subjected to operator abuse or negligence. To receive full value from the warranty, the operator must maintain the cultivator as instructed in this manual.

Some adjustments must be made periodically to properly maintain your cultivator.

All adjustments in the Service and Adjustments section of this manual must be checked at least once each season.

MAINTENANCE

LUBRICATION

Every 25 hours and/or at the beginning of each season, make sure the gear box is filled with lubricant (see Figure 9). Tubes of gear lubricant are available from most automotive supply stores. Use portable tool grease such as Lubriplate 630AA (Product No. 06787, 1-3/4 oz. tube) or Lubriplate GR-132 (Product No. 15892, 10 oz. tube).

After cleaning and before storage, apply oil to the **tine shaft** (see Figure 9).

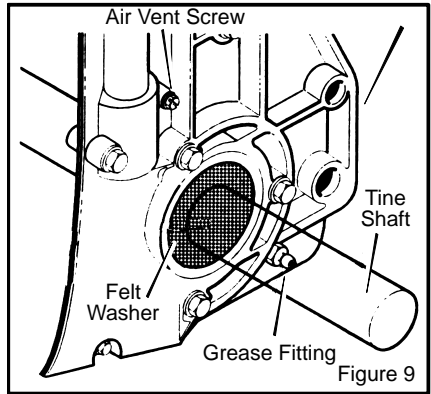


WARNING: Allow the transmission to cool before filling with grease.

1. Remove both left side tines. See "How To Replace The Tines" in the Service and Adjustments section.
2. Remove the **air vent screw** (see Figure 9).
3. Mount a grease gun onto the **grease fitting**. Fill the transmission until the grease begins to come out of the air vent screw hole.
4. Reinstall the **air vent screw**.
5. Check the condition of the **felt washer** (see Figure 9). Replace the **felt washer**

if it is damaged (see the Repair Parts section in this manual).

6. Clean and lubricate the **tine shaft** with a few drops of oil.
7. Reinstall the left side tines.
8. Remove the right side tines. Check the **felt washer** for damage. Clean and oil the **tine shaft**. Reinstall the right side tines.

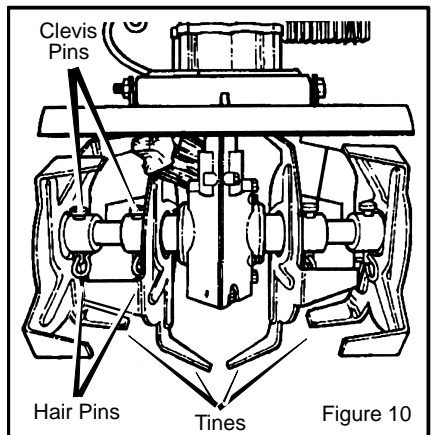


HOW TO CLEAN THE TINES

Always remove dirt and debris from the cultivator after each use. Remove any string, wire or vegetation that may become lodged in the mechanism and stop the tines from rotating.

1. Release the throttle control and move the on-off switch to the OFF position. Disconnect the spark plug wire from the spark plug.
2. While wearing gloves, remove the **hairpins** and **clevis pins** that secure the tine assemblies to the shaft (see Figure 10). Remove the tines from the shaft.
3. Remove any lodged debris from the shaft and tines. Clean and lubricate the tine shaft with a few drops of oil.
4. Reassemble the tines on the shaft and secure with a clevis pin and hairpin.

5. Connect the spark plug wire to the spark plug.



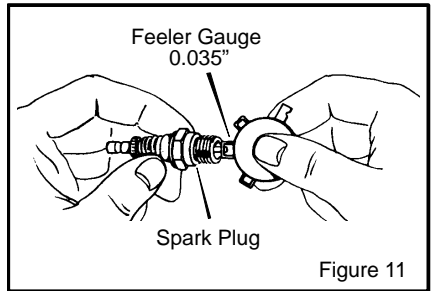
MAINTENANCE

SPARK PLUG

Check the **spark plug** every 25 hours. Replace the **spark plug** if the electrodes are pitted or burned or if the porcelain is cracked.

1. Make sure the **spark plug** is clean. Clean the **spark plug** by carefully scraping the electrodes (do not sand blast or use a wire brush).
2. Check the **spark plug** gap with a **feeler gauge**. See "Product Specifications" for the correct **spark plug** gap and replacement **spark plug**.

3. Before installing the **spark plug**, coat the threads lightly with oil for easy removal. Tighten the spark plug to a torque of 15 foot-pounds.



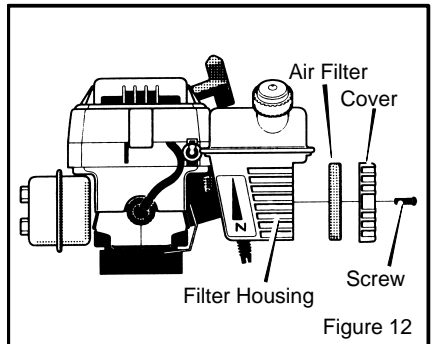
HOW TO CLEAN THE AIR FILTER

The engine uses a foam air filter that can be cleaned and reused. Clean and oil the air filter every 25 hours. Clean more often in dusty conditions. Remove and clean the air filter as follows:

CAUTION: Never run the engine without the air filter installed. An air filter clogged with dust can result in loss of engine power and can cause excessive wear or damage to the engine. If the air filter is clogged, clean or replace immediately.

1. Disconnect the spark plug wire from the spark plug.
2. Remove the **screws** from the **air filter cover** (see Figure 12). Remove the **air filter cover** and the **air filter**.
3. Wipe the **cover** and the inside of the **air filter housing** with a clean cloth.
4. Clean the **air filter** in a solution of water and household detergent. Rinse thoroughly in clean water.
5. Wrap the **air filter** in a dry clean cloth. Squeeze out (do not twist) all solution until dry.

6. Cover the outside of the **air filter** with oil. Use the same type of oil as used to make the fuel mixture. Lightly squeeze the **air filter** to distribute and remove any excess oil.
7. Put the clean **air filter** into the **air filter housing**.
8. Install the **air filter cover** and secure with the **screws** as shown.
9. Connect the spark plug wire to the spark plug.



CYLINDER EXHAUST PORTS

Clean the cylinder exhaust ports after every 75 hours of operation. For this procedure, we recommend that you take your unit to a Authorized Service Center.

F-031306L

SERVICE AND ADJUSTMENT

HOW TO REMOVE AND INSTALL THE TINES

References to the right or left side of the cultivator are from the viewpoint of the operator's position behind the unit.

All four tines are different and cannot be interchanged. The tines must be correctly installed or the cultivator will not function properly.

To till around plants or in small areas, the outside tines can be removed to reduce the tilling width to approximately 7 inches.

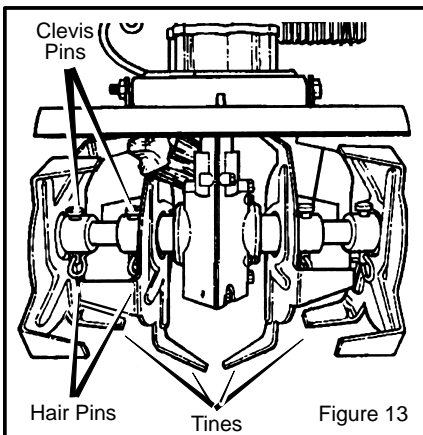


WARNING: The tines are self sharpening and will become quite sharp from use. Handle carefully.

The tines will all wear evenly. If the tines are being replaced because of wear, we recommend that all four tines be replaced at the same time. To replace the tines, do the following:

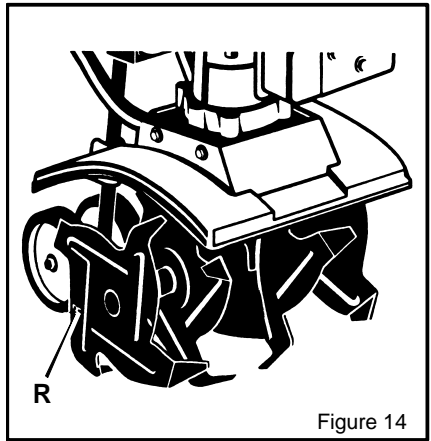
Tine Removal

1. Put the on-off switch in the OFF position.
2. Disconnect the spark plug wire from the spark plug.
3. While wearing gloves, remove the **hair-pins** and **clevis pins** that secure the tine assemblies to the shaft (see Figure 13). Remove the **tines** from one side of the unit.



Tine Installation

1. Clean and lubricate the tine shaft with a few drops of oil.
2. Place the inside tine on the tine shaft and reinstall the **clevis pin** and **hairpin**.
3. When the tines are properly installed, the letter **R** will be visible on the outside of the **right tine** (see Figure 14). The letter **L** will be visible on the outside of the left tine.



4. Mount the outside tine on the tine shaft and fasten with the **clevis pin** and **hairpin** (see Figure 13).
5. The cutting tips on the outside tines all bend in toward the inside tine. When assembled correctly, the letter **R** on the right side, or **L** on the left side, will be visible from the outside of the unit.
6. Repeat the above steps on the opposite side of the unit.

NOTE: Make sure the tines are installed on the correct side of the unit.

SERVICE AND ADJUSTMENT

HOW TO ADJUST THE CARBURETOR

A dirty air cleaner will cause the engine to run improperly or to smoke excessively. Before adjusting the carburetor, make sure the air cleaner is clean. Never make unnecessary adjustments to the carburetor. The carburetor was set at the factory to operate efficiently under most applications. However, if adjustments are required, we recommend you contact your nearest Authorized Service Center. If you feel that you are competent to make carburetor adjustment proceed as follows.



WARNING: Use extreme care when making adjustments that require the engine to be running. Keep hands, feet, hair and loose clothing away from all moving parts.

1. Turn the **mixture adjustment screw** clockwise to until closed (see Figure 15).

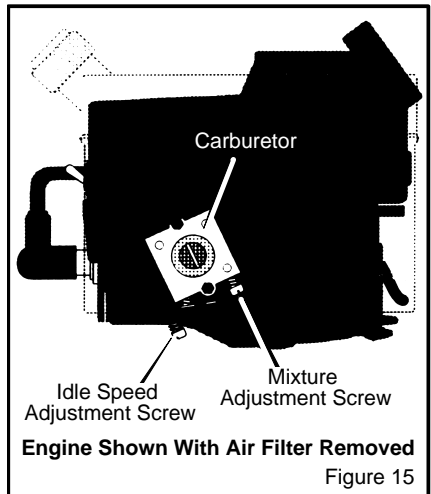
IMPORTANT: To prevent damage to the carburetor or to the adjusting screw, tighten the adjustment screws with your fingers.

2. Turn the **mixture adjustment screw** counterclockwise one turn.
3. Start the engine and let it warm up for approximately 3 to 5 minutes. Do not adjust the carburetor when the engine is cold.
4. If the engine runs erratically or stops after the choke lever is moved to the **CHOKE OFF** position, then open the **mixture adjustment screw** an additional 1/8 turn counterclockwise.
5. With the engine running, release the throttle control (idle position) to make the mixture adjustments.
6. Slowly turn the **mixture adjustment screw** clockwise until the engine begins to run erratically. Note this position.
7. Then, slowly turn the mixture adjustment screw counterclockwise until the engine again begins to run erratically. Note this position.

8. Turn the mixture adjusting screw clockwise until it is halfway between the first position and the second position.
9. Check the engine idle speed. Start the engine and release the throttle control. If the tines do not turn with the throttle control is released, the idle speed is correct. If the tines turn with the throttle control is released, adjust the engine idle speed as follows.
10. Have someone tilt the cultivator back on its depth stake so that the tines are off the ground.
11. Start the engine.
12. With the throttle in the released (idle position), turn the **idle speed adjustment screw** counterclockwise until the tines stop rotating.



WARNING: The engine governor is set at the factory. Do not change the governor setting. Over speeding the engine above the factory setting can be dangerous. If you think the engine governor needs an adjustment, contact your nearest Authorized Service Center.



SERVICE AND ADJUSTMENT

STORAGE



WARNING: Never store the cultivator indoors with fuel in the fuel tank. Never store in an enclosed, poorly ventilated area where fumes could reach an open flame, a spark or a pilot light as on a furnace, water heater or clothes dryer.



WARNING: Do not remove gasoline while inside a building, near a fire, or while you smoke. Gasoline fumes can cause an explosion or a fire.

When the cultivator is put in storage for thirty days or more, follow the steps below to make sure the cultivator is in good condition the following season.

Cultivator

- Completely clean the cultivator.
- Remove the tines. Clean and apply oil to the tine shafts. Mount the tines onto the tine shafts. See “How To Remove And Install The Tines” in the Service And Adjustments section.
- Loosen the knobs that secure the upper handle to the lower handle. Carefully fold the upper handle. Make sure the throttle cable is not bent. Tighten the knobs.
- The cross piece of the upper handle (between the lower handles) can now be used as a carry handle. To store the cultivator up off the floor and out of the way, the cross piece can also be hooked over a wall hook.
- Put the cultivator in a building that has good ventilation.

- Cover the cultivator with a suitable protective cover that does not retain moisture. Do not use plastic.

IMPORTANT: Never cover the cultivator while the engine and exhaust areas are still warm.

NOTE: A yearly checkup or tune-up by a Authorized Service Center is a good way to make sure that your cultivator will provide maximum performance for the next season.

Engine

IMPORTANT: It is important to prevent gum deposits from forming in fuel system parts such as the carburetor, fuel filter, fuel hose, and tank during storage. Also, using alcohol-blended fuels (called gasohol, ethanol or methanol) can attract moisture which leads to separation and formation of acids during storage. Acidic gas can damage the fuel system of an engine while in storage.

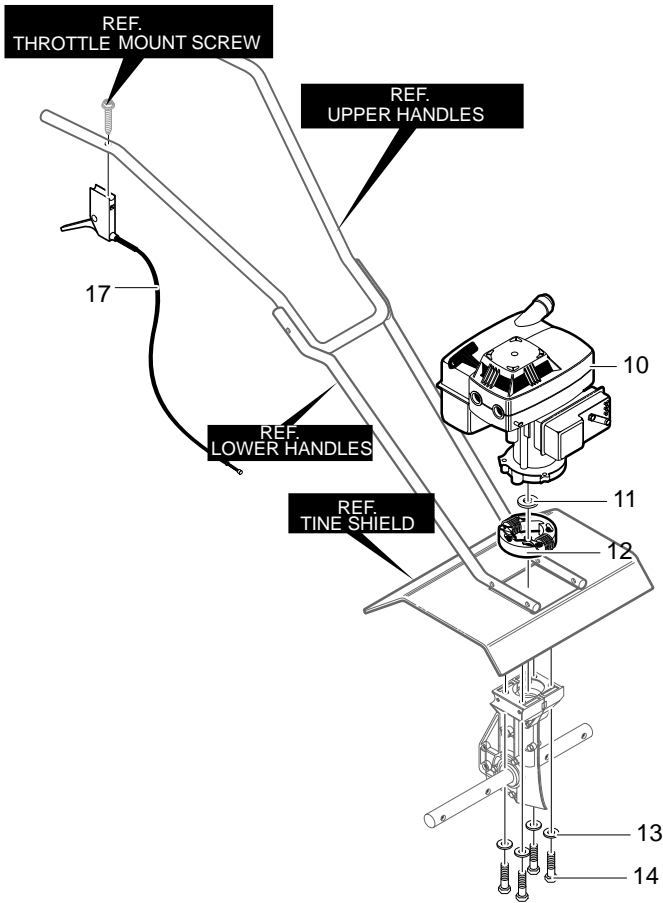
To prevent engine damage when the cultivator is in storage for 30 days or more, follow the steps below:

- Let the engine run until it is out of gasoline.
- Slowly pull the starter handle until you feel resistance due to compression in the cylinder, then stop.
- Slowly release the starter rope. This position will close both the intake and the exhaust ports and help prevent corrosion of the piston and cylinder.

TROUBLE SHOOTING CHART

TROUBLE	CAUSE	CORRECTION
Engine difficult to start	Stale fuel mixture	Drain fuel tank. Fill with fresh fuel mixture.
or	Too much oil in fuel mixture	Check fuel mixture chart and mix fresh fuel.
Engine runs erratically	Dirt in fuel tank or out of fuel	Clean fuel tank.
or	Carburetor out of adjustment	See Carburetor Adjustment section.
Engine will not run at full speed	Fouled spark plug	Clean and set spark plug gap.
	Dirty air filter	Clean and oil air filter.
Engine speed does not increase properly	Debris interfering with throttle linkage	Clean dirt and debris of top of carburetor.
Engine smokes excessively	Plugged air filter	Clean and oil air filter.
	Too much oil in fuel mixture	Check fuel mix chart and mix fresh fuel.
Tines continue to rotate when throttle control is released	Carburetor out of adjustment	Adjust carburetor idle speed. See "How To Adjust The Carburetor" in the Maintenance section.
Tines will not turn	Debris lodged in tine	Remove debris. See "How To Clean The Tines" in the Maintenance section.
Unit does not till properly	Incorrect tine installation	Check the tines for proper installation. See "How To Remove And Install The Tines" in the Service And Adjustments section.

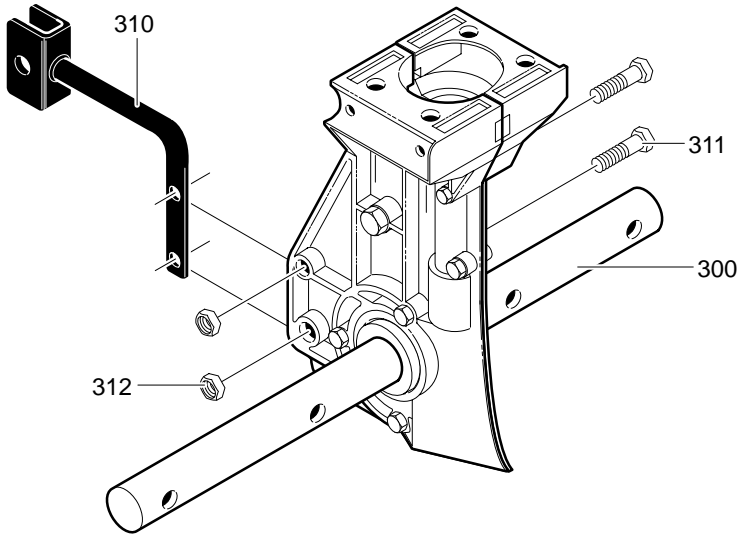
MODEL 11052x4D



323392C

KEY NO.	PART NO.	DESCRIPTION	KEY NO.	PART NO.	DESCRIPTION
10	2.0HP	Engine	14	1x90	Screw
11	56694	Flat washer	17	319306	Cable, Throttle
12	335350	Rotor	--	F-031306L	Instruction Manual
13	120380	Washer			

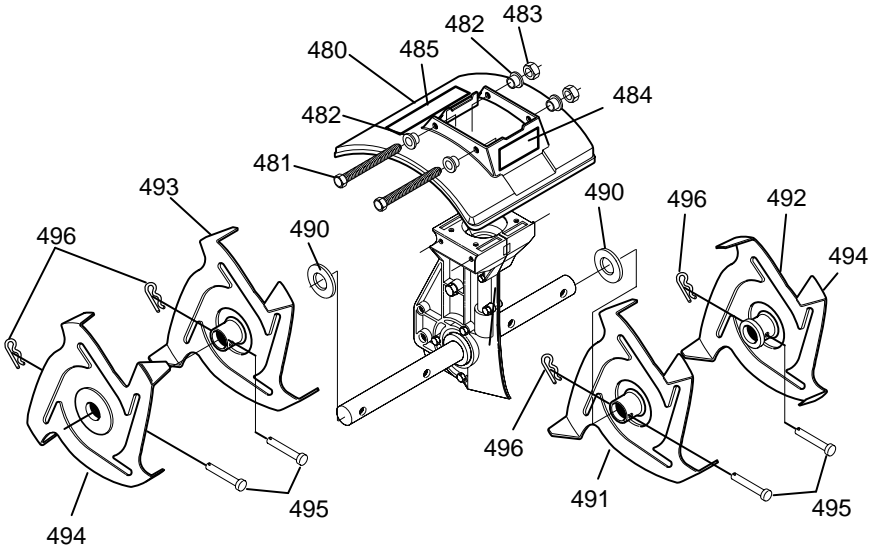
MODEL 11052x4D



318848C

KEY NO.	PART NO.	DESCRIPTION
300	1901017	Transmission
310	339390E701	Bracket, Depth Rod
311	180024	Screw, 1/4-20x1.25
312	782585	Nut, 1/4-20

MODEL 11052x4D

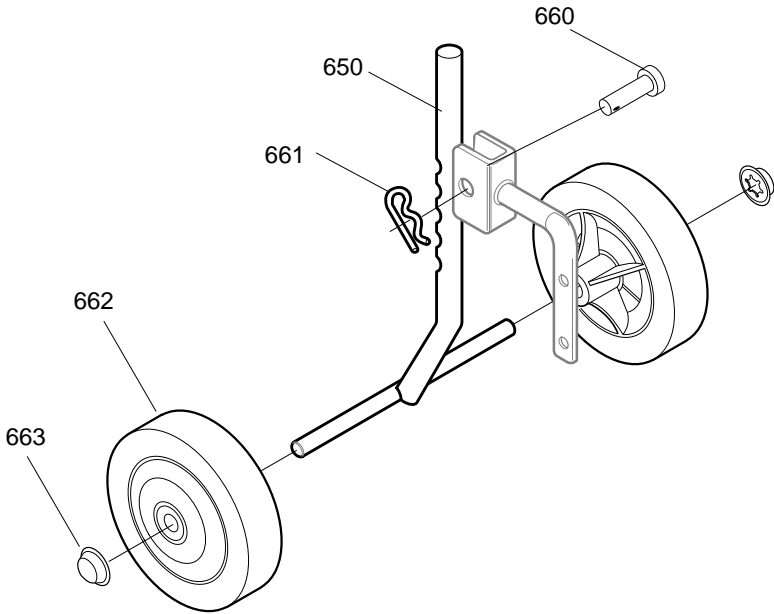


323393A

KEY NO.	PART NO.	DESCRIPTION	KEY NO.	PART NO.	DESCRIPTION
480	7401015 *	Shield, Tine *	491	56157E701	Tine Assy. Inner LH
481	310056	Screw, 1/4-20x5.50	492	56155E701	Tine Assy. Outer LH
482	672734	Spacer, Flange	493	56156E701	Tine Assy. Inner RH
483	782585	Nut, 1/4-20	494	56154E701	Tine Assy. Outer RH
484	48x894	Decal, Murray	495	56123	Clevis Pin
485	48x4031	Decal, Caution	496	0031x4	Hair Pin
490	56158	Washer, Felt			

* Includes Key Nos. 484, 485 and four Key Nos 482.

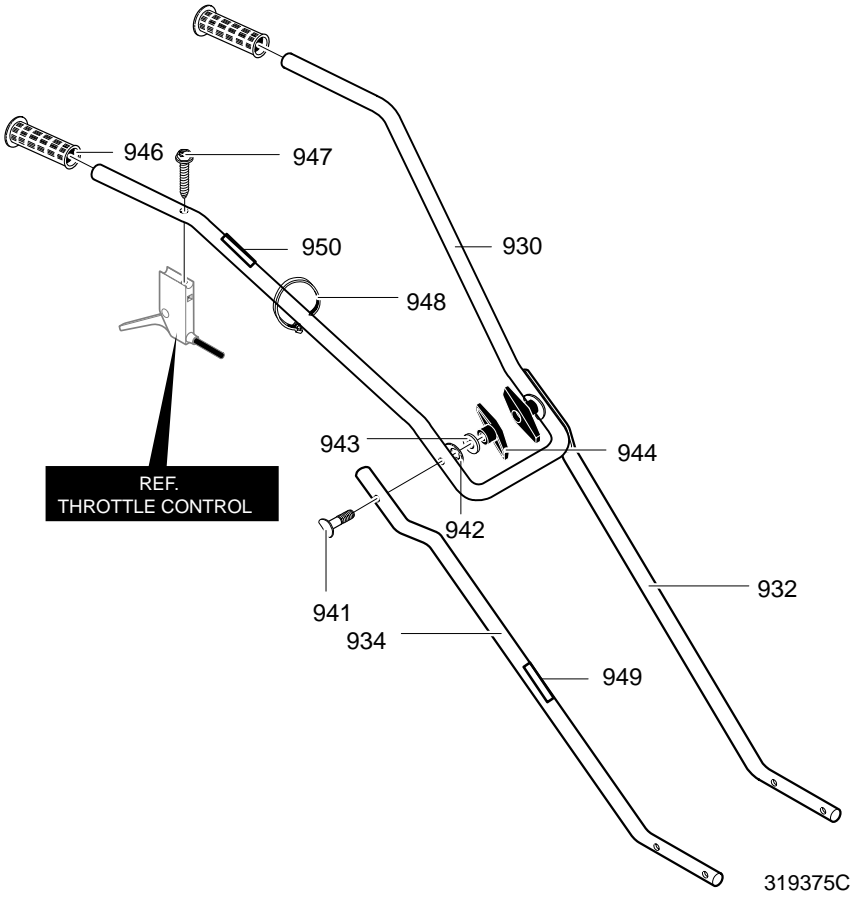
MODEL 11052x4D



323396B

KEY NO.	PART NO.	DESCRIPTION
650	331176 Z	Wheel Support Assy.
660	56123	Clevis Pin
661	31x4	Hair Pin
662	338307	Tire & Rim
663	73664	Push On Nut

MODEL 11052x4D



KEY NO.	PART NO.	DESCRIPTION	KEY NO.	PART NO.	DESCRIPTION
930	7401025 *	Upper Handle *	946	56778	Hand Grip
932	339398E701	Lower Handle LH	947	426635	Screw 10-16x1.5
934	7401022 *	Lower Handle RH +	948	712267	Cable Tie
941	56199	Bolt 5/16-18x1.63	949	305828	Decal, Caution
942	783000	Formed Washer	950	48x4030	Decal, Throttle Control
943	120393	Flat washer			
944	1901018	T Knob			

* Includes Key No. 950

+ Includes Key No. 949

HOW TO ORDER REPAIR PARTS

Only use a factory repair part. Repair parts, except for the engine or the transmission, are available from the store where the unit was purchased, a service shop recommended by the store, or an authorized service shop found in the yellow pages of the telephone directory. If you cannot get a repair part or service as described above, call or write to the Central Parts Distributor shown below. When you order, include the following information: (1) Complete Model Number (see nameplate), (2) Date of Manufacture, (3) Complete Part Number, (4) Description, (5) Quantity.

Repair parts for the engine or the transmission are available from the manufacturer's authorized service center found in the yellow pages of the telephone directory. See the individual engine or transmission warranties.

MURRAY, INC. LAWN MOWER CENTRAL PARTS DISTRIBUTORS

BILLIOU'S, INC.

1343 South Main St.
Porterville, CA. 93257
(559)784-4102 1-877-245-5468
FAX 1-800-266-7337

**Arizona, California, Hawaii,
Nevada**

BROWN & WISER, INC.

9991 S.W. Avery Street
Tualatin, OR. 97062
(503)692-0330 1-800-882-4782
FAX (503)691-2041

Alaska, Idaho (counties Ada, Adams, Benewah, Boise, Bonner, Boundry, Canyon, Clearwater, Elmore, Gem, Idaho, Kooten, Latah, Lewis, NEZ Perce, Owyee, Payette, Ravalli, Shoshone, Valley, Washington), **Montana** (counties Flathead, Lake, Lincoln, Mineral, Missoulo, Ravalli, Sanders), **Oregon, Washington**

CPT CANADA POWER TECHNOLOGY LIMITED

Mississauga

161 Watline Avenue
Mississauga, Ontario
L4Z-1P2
(905)890-6900 1-800-861-9559

Edmonton

101-10411-178 Street
Edmonton, Alberta
T5S 1R5
(780)453-5791 1-800-861-9559

Ville St-Laurent

234 Mignerone Street
Ville St-Laurent, Quebec
H4T 1Y7
(514)731-3559 1-800-861-9559
Canada

FRANK EDWARDS CO.

3626 Parkway Blvd.
West Valley City, UT 84120
1-800-318-0201
FAX (801)736-8067

Colorado, Idaho (counties Bannock Bearlake, Bingham, Blaine, Booneville, Butte, Camas, Caribou, Cassia, Custer, Franklin, Fremont, Gooding, Jefferson, Jerome, Lemhi, Lincoln, Madison, Minidoka, Oneida, Power, Teton, Twin Falls) **Montana** (all counties except Flathead, Lake, Lincoln, Mineral, Missoulo, Ravalli, Sanders), **Utah, Wyoming**

GARDNER, INC.

1150 Chesapeake Ave.
Columbus, OH. 43212
1-800-848-8946
FAX (614)486-7122
Alabama, Arkansas, (except these counties: Hempstead, Howard, Lafayette, Little River, Miller, Nevada, Pike, Sevier), **Connecticut, Delaware, District of Columbia, Florida, Georgia, Illinois** (South of Hwy. 80), **Indiana, Iowa, Kansas, Kentucky, Louisiana, Maine, Maryland, Massachusetts, Michigan** (except upper Peninsula), **Mississippi, Missouri, Nebraska, New Hampshire, New Jersey, New York, North Carolina, Ohio, Pennsylvania, Rhode Island, South Carolina, Tennessee, Vermont, Virginia, West Virginia**

Puerto Rico

GULF COAST ENGINE, INC.

4202 Russell Dr.
Corpus Christi, TX. 78408
1-800-825-6999
FAX (888)888-7036

Arkansas (counties Hempstead, Howard, Lafayette, Little River, Miller, Nevada, Pike, Sevier) **New Mexico, Oklahoma, Texas, Mexico**

WISCONSIN MAGNETO

4727 N. Teutonia Ave.
Milwaukee, WI. 53209
1-800-733-7388
FAX 1-800-733-0127

Illinois (N. of Hwy. 80), **Michigan** (upper Peninsula), **Minnesota, North Dakota, South Dakota, Wisconsin**

NOTES

MURRAY, INC. Garantie limitée de deux ans

Murray, Inc. garantit au premier acheteur que ce produit est exempt de vice de matériel et de fabrication en condition d'usage normal pour une période de **deux (2) ans** à partir de la date d'achat. Toutefois, cette garantie ne couvre pas les moteurs, accessoires (tels que souffleuses, lames de chasse-neige, sacs à herbe et socs), les transmissions, accumulateurs et pièces d'usure normale (sauf indication ci-dessous) et ne couvre pas les boîtes-pont puisque les entreprises qui fabriquent ces dispositifs offrent leur propre garantie ainsi qu'un service par l'intermédiaire de leurs représentants autorisés. Pour toute information complémentaire veuillez consulter les garanties qui couvrent ces pièces. Si vous n'êtes pas sûr que votre machine comprennent ou soit équipée d'une ou de plusieurs de ces pièces, consultez votre concessionnaire avant tout achat. Vu les modalités et conditions indiquées par cette garantie limitée, nous réparerons ou remplacerons à notre choix et sans frais pour le premier acheteur toute pièce couverte par cette garantie limitée pendant la période en vigueur.

Dans le cas où l'accumulateur présentait un défaut dans les quatre-vingt-dix (90) jours à compter de la date d'achat, nous la remplacerions gratuitement. Si l'accumulateur présente un défaut après quatre-vingt-dix (90) jours, mais avant cent vingt (120) jours à compter de la date d'achat nous la remplacerons pour la moitié du prix de vente au détail en cours au moment de la demande d'échange.

Les pièces d'usure normale comprennent les courroies, lames, adaptateurs de lames, pneumatiques, phares et couvre-sièges. Ces pièces sont garanties contre tout vice de matériel et de fabrication au moment de la livraison avec le produit. Toute réclamation pour la réparation ou le remplacement des pièces d'usure normale doit se faire dans les trente (30) jours à compter de la date d'achat. Aucune réclamation concernant les dommages entraînés par l'usage, l'abus ou la mauvaise utilisation du matériel ne sera honorée.

Cette **Garantie limitée Murray, Inc. de deux (2) ans** est votre seul recours. Toutefois cette garantie est nulle ou ne s'applique pas à toute machine ayant fait l'objet d'une intervention non autorisée, ayant été modifiée, louée, utilisée de manière abusive ou à des fins commerciales ou professionnelles (non-résidentielles). Votre garantie ne couvre pas les réglages mécaniques mineurs qui ne proviennent pas d'un vice de matériel ou de fabrication. Pour obtenir de l'aide afin de procéder à ces réglages, consultez votre manuel.

Pour toute réclamation dans le cadre de cette **garantie limitée de deux (2) ans Murray, Inc.**, rapportez la machine (ou la pièce défectueuse dans le cas d'une autorisation préalable) ainsi que votre preuve d'achat à une station technique autorisée proche de votre domicile. Pour trouver la station technique autorisée la plus proche, appelez le centre régional de distribution de pièces détachées indiqué sur la liste fournie avec votre machine ou consultez l'annuaire. Si vous renvoyez la machine dans son entité, nous la réparerons. Si nous autorisons seulement le renvoi de la pièce défectueuse, nous la remplacerons ou la réparerons. Dans le cas d'un défaut de la boîte de transmission ou de l'engrenage différentiel (par opposition à la boîte-pont), toute la transmission ou le différentiel doit être renvoyé car ce dispositif ne contient pas de pièces réparables par l'utilisateur.

Cette **garantie limitée Murray, Inc. de deux (2) ans** vous confère des droits juridiques précis et il se peut que vous disposiez d'autres droits qui varient d'une juridiction à une autre. **Cette garantie limitée est fournie au lieu de toute autre garantie expresse ou implicite y compris la garantie implicite de qualité marchande et d'aptitude à un usage particulier.** Pour toute information complémentaire au sujet de cette garantie écrite ou pour obtenir de l'aide, appelez au numéro ou écrivez à l'adresse indiqués ci-dessous. Le numéro du modèle ainsi que le numéro 1-800 du SERVICE À LA CLIENTÈLE est indiqué sur la plaque du numéro de modèle fixé à la machine.

MURRAY, INC.

Outdoor Power Equipment
Customer Service Department (Service Clientèle)
P.O. Box 268
Brentwood, Tennessee 37027, USA

INFORMATIONS S'ADRESSANT À L'USAGER

Ce livret d'instructions est destiné aux individus ayant une certaine compétence technique. Comme pour la plupart des manuels de service, certaines étapes ne sont pas décrites. Les étapes qui indiquent la manière de desserrer ou de serrer des attaches sont des étapes que toute personne ayant une certaine compétence technique peut accomplir. Lisez et suivez ces instructions avant d'utiliser la machine.

Familiarisez-vous avec votre machine : Une bonne connaissance de la machine et de son fonctionnement vous permettra d'en obtenir la meilleure performance. Tout en lisant ce manuel, comparez les illustrations avec la machine. Apprenez l'emplacement et la fonction des commandes. Pour éviter tout accident, respectez les consignes d'utilisation et les règles de sécurité. Conservez ce manuel comme référence à l'avenir.

IMPORTANT : un grand nombre de modèles sont vendus non montés dans un emballage en carton. Il incombe au propriétaire de la machine de s'assurer que les instructions de montage présentées dans ce manuel sont suivies à la lettre. D'autres modèles sont vendus déjà montés. Pour les modèles montés, il incombe au propriétaire de vérifier le bon assemblage de sa machine. Avant toute utilisation, le propriétaire doit inspecter la machine conformément aux instructions présentées dans ce manuel.

RESPONSABILITÉS DU PROPRIÉTAIRE

Il incombe au propriétaire de suivre les instructions ci-dessous :

1. Lire soigneusement et respecter les règles de sécurité.
2. Se conformer aux instructions pour l'assemblage et la préparation.
3. Inspecter la machine.
4. S'assurer que l'utilisateur de la machine connaît la façon correcte d'utiliser l'équipement standard et tous les accessoires.
5. N'utiliser la machine que lorsque les dispositifs de sécurité (carters, écrans, etc.) sont en place et fonctionnent correctement.
6. Régler la machine comme il convient.
7. La machine ne doit être réparée qu'avec des pièces réglementaires ou agréées.
8. Effectuer chacune des opérations de maintenance obligatoires concernant la machine.



RÈGLES DE SÉCURITÉ

Règles de sécurité pour l'utilisation de la motobineuse



ATTENTION : La présence de ce symbole indique d'importantes précautions à prendre. Il signifie : "Attention ! Soyez vigilant ! Votre sécurité est en jeu."



ATTENTION : Pour prévenir tout démarrage accidentel lors du montage, du transport, du réglage ou de la réparation de la machine, débranchez toujours la bougie et éloignez le fil de tout contact avec celle-ci.

IMPORTANT : Les normes de sécurité requièrent que la machine soit équipée d'un détecteur de présence de l'utilisateur afin de minimiser les risques de blessures. Votre machine est équipée de ce dispositif. Il ne faut dans aucun cas tenter de désactiver le fonctionnement du détecteur de présence.

Avant toute utilisation

- Lisez attentivement le manuel de l'utilisateur. Familiarisez-vous bien avec les commandes et l'utilisation correcte de la motobineuse. Sachez arrêter la motobineuse et rapidement en débrayer les commandes.
- Ne conduisez pas la motobineuse sans porter des vêtements appropriés. Portez des chaussures antidérapantes pour ne pas glisser sur les surfaces glissantes.
- Éloignez toute personne de la zone de travail, en particulier les enfants et les animaux domestiques de petite taille.
- Inspectez attentivement la zone de travail envisagée et retirez tout corps étranger.
- Sachez que le conducteur ou l'utilisateur est tenu seul responsable de tout accident ou dommage causé aux autres, à leur propriété et à lui-même.
- Débrayez et mettez le levier de vitesse au point mort avant de démarrer le moteur.

Précautions pour le carburant

- Manipulez le carburant avec prudence car il est très inflammable.
- Utilisez un récipient agréé.
- Vérifiez la quantité d'essence avant chaque utilisation, en veillant à laisser de l'es-

pace pour l'expansion de l'essence par la chaleur du moteur ou du soleil.

- Remplissez le réservoir en plein air et avec grande précaution. Ne fumez pas en remplissant le réservoir. Ne remplissez jamais le réservoir d'essence à l'intérieur d'un bâtiment. Refermez bien le bouchon du réservoir d'essence et essuyez toute coulure d'essence.
- En cas d'épanchement de carburant, ne tentez pas de démarrer le moteur mais retirez la machine de l'endroit où a été renversé le carburant et évitez de créer toute source d'inflammation jusqu'à la dissipation complète des vapeurs d'essence.
- Ne retirez jamais le bouchon du réservoir d'essence et n'ajoutez jamais de carburant quand la machine fonctionne ou quand le moteur est chaud.
- N'entreposez jamais du carburant ou une motobineuse contenant du carburant dans un bâtiment où les vapeurs d'essence peuvent atteindre une flamme.

Sécurité d'utilisation

- Ne laissez jamais des enfants ou de jeunes adolescents utiliser la motobineuse. Gardez-les à distance lors de l'utilisation de la motobineuse. Ne laissez jamais des adultes conduire la motobineuse sans instructions appropriées.
- N'utilisez jamais cette machine sous l'influence de drogues ou de médicaments pouvant susciter la somnolence ou altérer votre aptitude à la conduire.
- N'utilisez jamais cette machine si vous êtes mentalement ou physiquement inapte à la conduire en toute sécurité.
- Portez toujours des lunettes ou une visière de protection lors de l'utilisation, du réglage ou de la réparation de la motobineuse afin de protéger vos yeux de tout corps étranger pouvant en être projeté.
- Ne placez pas les mains ou les pieds à proximité des pièces rotatives.
- Soyez très prudent lors de l'utilisation de la machine sur les allées en gravier, les pas-

RÈGLES DE SÉCURITÉ

sages et les routes ou en les traversant. Prenez garde à tout obstacle caché ou à la circulation.

- Prenez soin de ne pas glisser ou tomber.
- Ne conduisez jamais la machine sans que tous les carters, écrans ou autres dispositifs de protection soient en place.
- N'utilisez que des dispositifs et accessoires approuvés par le fabricant de la machine (tels que masses d'équilibrage, contre-poids et accessoires similaires).
- Ne conduisez jamais la motobineuse en vitesse de marche rapide sur des surfaces dures ou glissantes. Regardez vers l'arrière et soyez prudent en reculant.
- Ne permettez jamais aux personnes avoisinantes de s'approcher de la motobineuse.
- Éloignez les enfants et les animaux de compagnie lors de l'utilisation de la motobineuse.
- Ne conduisez jamais la motobineuse sous un faible éclairage ou sans bonne visibilité.
- Soyez prudent lorsque vous cultivez un terrain dur. Les dents peuvent s'accrocher dans le sol et pousser la motobineuse en avant. Si cela se produit, lâchez le guidon et n'essayez pas de retenir la machine.
- Soyez très prudent en mettant la machine en marche arrière ou en la tirant vers vous.
- Ne modifiez pas le réglage du régulateur de régime et ne faites pas fonctionner le moteur en survitesse.
- Démarrez ou allumez le moteur avec prudence conformément aux instructions et gardez les pieds à bonne distance des lames.
- Ne soulevez et ne transportez jamais la machine lorsque le moteur est en marche.
- Ne faites pas tourner le moteur à l'intérieur d'un bâtiment. Les fumées d'échappement sont dangereuses et contiennent de l'OXYDE DE CARBONE, un gaz INODORE ET MORTEL.
- Prenez toutes les précautions possibles avant de laisser la motobineuse sans surveillance. Arrêtez le moteur et, si elle en est équipée, retirez la clé.

- Ne surchargez pas la capacité de la motobineuse en tentant de labourer trop profondément et trop vite.

Sécurité d'entreposage

- Consultez toujours le manuel de l'utilisateur pour les détails importants à connaître si vous allez entreposer la motobineuse pendant un certain temps.
- Ne stockez jamais une motobineuse dont le réservoir contient du carburant dans un bâtiment où se trouve des sources d'ignition telles que chauffe-eau, chauffage d'appoint, sèche-linge, etc. Laissez refroidir le moteur avant d'entreposer la motobineuse dans un endroit clos.
- S'il est nécessaire de vider le réservoir de son carburant, effectuez cette opération à l'extérieur.
- Maintenez la motobineuse en bon état de marche. Vérifiez le serrage correct des fixations à intervalles réguliers.

Sécurité des réparations et du réglage

- Après avoir heurté un corps étranger, arrêtez le moteur. Débranchez la bougie et éloignez le fil de tout contact avec celle-ci afin d'éviter tout démarrage accidentel. Inspectez soigneusement la motobineuse pour voir s'il y a des dégâts, puis réparez tout dommage avant de redémarrer et de conduire la machine.
- Si la motobineuse se met à vibrer de manière anormale, arrêtez le moteur et cherchez immédiatement la cause de cette vibration. Une vibration signale généralement un problème.
- Arrêtez toujours le moteur avant de quitter la position de travail. Débranchez aussi la bougie avant de nettoyer les dents et avant de procéder à une réparation, un réglage ou une inspection.
- Lors du nettoyage, de la réparation ou de l'inspection, arrêtez le moteur et vérifiez que toutes les pièces mobiles se soient arrêtées.
- Ne tentez jamais d'effectuer des réglages lorsque le moteur est en marche, sauf en cas de recommandation spécifique du fabricant.

RÈGLES DE SÉCURITÉ

SYMBOLES INTERNATIONAUX

IMPORTANT : Un grand nombre des symboles suivants se trouvent sur votre machine ou dans la documentation fournie avec le produit. Avant d'utiliser la machine, apprenez et comprenez la signification de chaque symbole.

Symboles de commandes et de fonctionnement



Lent



Rapide



Carburant



Huile

Starter fermé

Mi-starter

Plein starter



Symboles de sécurité



ATTENTION DANGER
Projection d'objets.
Éloignez toute personne
de la zone de travail.



ATTENTION DANGER
Pièces rotatives. Arrêtez le
moteur. Débranchez le fil de la
bougie avant tout réglage.



**ATTENTION
DANGER**



IMPORTANT
Lisez le manuel de
l'utilisateur avant
toute utilisation
de cette machine.



ATTENTION DANGER
Chaussez des lunettes
de protection oculaire



STOP

MONTAGE

MONTAGE

PIÈCES EMBALLÉES SÉPARÉMENT DANS LE CARTON

- 1 - Manuel de l'utilisateur (non représenté)
- 1 - Manche supérieur
- 1 - Manche inférieur droit
- 1 - Manche inférieur gauche
- 1 - Sac de pièces



ATTENTION : Utilisez toujours une protection des yeux pendant le montage de la motobineuse.

Figure 1 présente la motobineuse entièrement assemblée.

Les références aux côtés droit ou gauche de la motobineuse se font du point de vue de l'utilisateur aux commandes de la machine.

DÉBALLAGE DE LA MOTOBINEUSE

- 1. Retirez le sac de pièces du carton.
- 2. Retirez les manches du carton.
- 3. Retirez les matériaux d'emballage entourant la machine.
- 4. Soulevez la motobineuse hors du carton et placez-le sur une surface dure et plane.
- 5. Retirez les matériaux d'emballage qui protègent les dents.

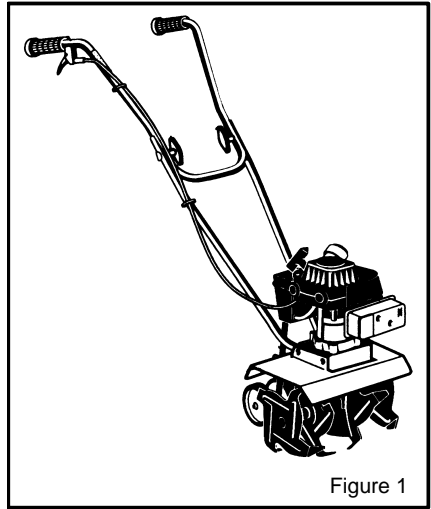


Figure 1

MONTAGE DES MANCHES

Les manches inférieurs ont leur extrémité supérieure aplatie et leur extrémité inférieure courbée sur une courte longueur.

- 1. Dégagez le câble d'accélérateur enroulé autour du moteur. Redressez le câble d'accélérateur. Veillez à ne pas le plier ou l'entortiller.
- 2. Retirez les **contre-écrous**, les **rondelles** et les **vis de de l'écran protecteur des dents** (voir Figure 2).

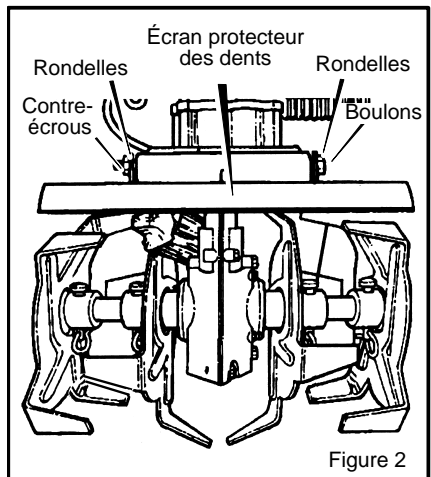
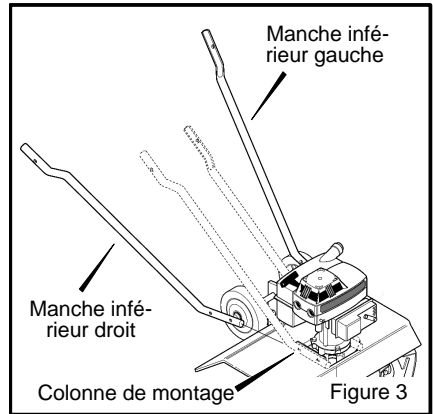


Figure 2

MONTAGE

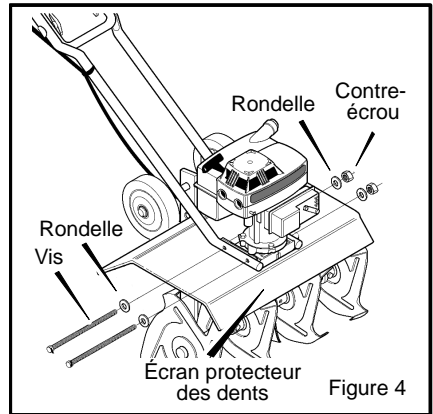
3. Insérez le **manche inférieur droit** dans la **colonne de montage** (voir Figure 3). Vérifiez que le bout plat en haut du manche est dirigé vers l'intérieur.
4. Placez une **rondelle** sur chaque **vis**. Enfoncez les **vis** à travers l'**écran des dents**, le **manche inférieur**, et à moitié dans le boîtier du moteur (voir Figure 4).
5. Insérez le **manche inférieur gauche** dans la **colonne de montage** (voir Figure 3). Vérifiez que le bout plat en haut du manche est dirigé vers l'intérieur.
6. Enfoncez les **vis** à travers le boîtier du moteur, le **manche inférieur**, et l'**écran des dents**. Fixez avec les **rondelles** et les **contre-écrous** comme indiqué à la Figure 4. Ne serrez pas pour l'instant.

le câble d'accélérateur est passé du côté extérieur des manches.



7. Retirez les attaches du **manche supérieur** (voir Figure 5).
8. Assemblez le **manche supérieur** aux manches inférieurs avec les attaches retirées à l'étape 7.
9. Serrez les **boutons**.

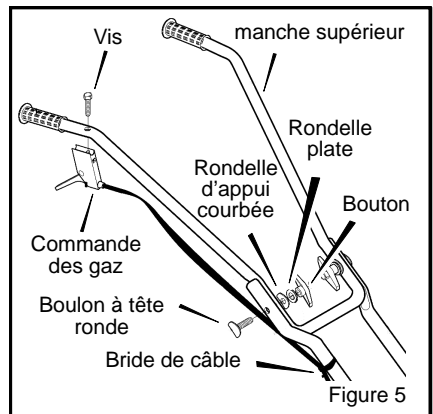
REMARQUE : Pour serrer les boutons, tenez la tête du boulon à tête ronde appuyée sur la face externe du manche inférieur tout en serrant.



10. Serrez les **contre-écrous** qui retiennent les extrémités des manches inférieurs (voir Figure 4). Serrez juste assez pour tenir fermement les manches en place.

ATTENTION : En serrant trop les contre-écrous vous risquez de déformer le manche et d'endommager le boîtier du moteur.

11. Montez la **commande des gaz** sur le côté droit du **manche supérieur** avec le **vis** comme indiqué à la Figure 5.
12. Attachez le câble d'accélérateur au manche inférieur avec la **bride**. Vérifiez que



MONTAGE

✓ LISTE DE VÉRIFICATION

Pour obtenir les meilleures performances de cette machine et une satisfaction maximale, veuillez passer en revue la liste de vérification qui suit avant d'utiliser la motobineuse.

- ✓ Toutes les instructions de montage ont été suivies.
- ✓ Vérifiez l'emballage. Veillez à ce qu'il ne reste aucune pièce dans le carton d'emballage.
- ✓ Toutes les fixations ont été correctement serrées.

En apprenant à utiliser la motobineuse, prêtez une attention particulière sur les éléments importants indiqués ci-dessous.

- ✓✓ Le réservoir d'essence doit être rempli d'un mélange de carburant propre et frais.
- ✓✓ Familiarisez-vous et comprenez bien la fonction de toutes les commandes. Avant de démarrer la machine, utilisez toutes les commandes.

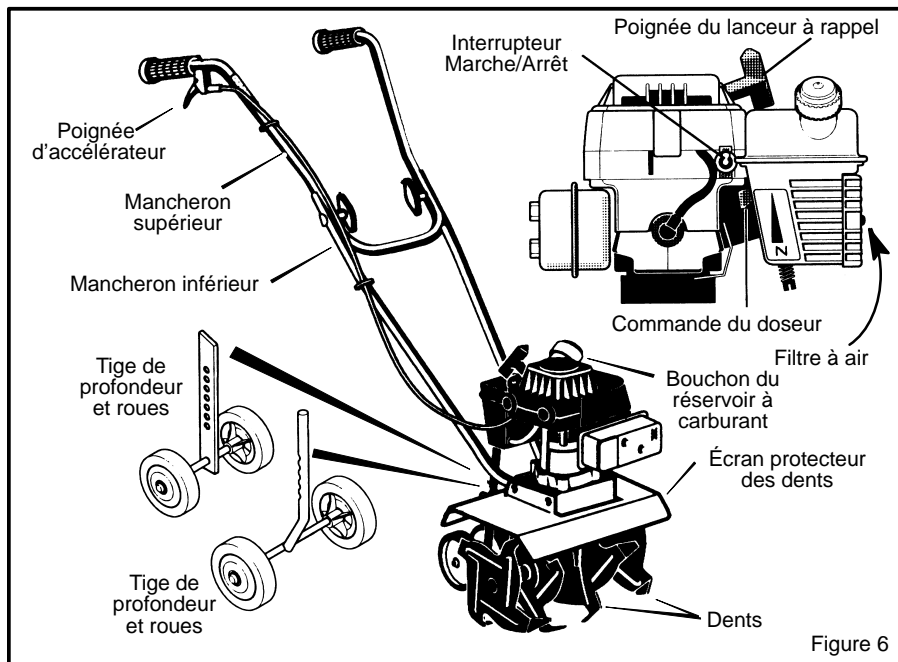
IMPORTANT : cette machine est équipée d'un moteur à combustion interne et ne doit pas s'utiliser sur terrain forestier, buissonnant ou herbeux non préparé, à moins que le système d'échappement du moteur ne soit équipé d'un pare-étincelles conforme à la réglementation en vigueur s'il y a lieu. Dans le cas de l'utilisation d'un pare-étincelles, celui-ci doit être maintenu en parfait état de marche par l'utilisateur.

En Californie, cette précaution est rendue obligatoire par la loi (section 4442 du California Public Resources Code). Des réglementations similaires peuvent s'appliquer dans d'autres juridictions. Les lois fédérales s'appliquent sur les territoires fédéraux. Adressez-vous à un centre de maintenance agréé pour vous procurer un pare-étincelle d'échappement.

UTILISATION

CONNAISSANCE DE LA MOTOBINEUSE

LISEZ LE MANUEL DE L'UTILISATEUR ET TOUTES LES RÈGLES DE SÉCURITÉ AVANT D'UTILISER la motobineuse. Familiarisez-vous bien avec l'emplacement des commandes de la motobineuse en les comparant aux illustrations. **Conservez ce manuel pour référence ultérieure.**



Commande d'accélérateur - Contrôle la vitesse du moteur et la rotation des dents. La motobineuse est équipée d'un embrayage centrifuge qui engage le système d'entraînement des dents lors de l'accélération.

Levier de commande du doseur - Utilisez-le pour faciliter le démarrage du moteur quand il est froid.

Interrupteur MARCHÉ/ARRÊT - La position de MARCHÉ permet au moteur de démarrer. La position d'ARRÊT arrête le moteur et l'empêche de démarrer.

Poignée du lanceur à rappel - Le moteur est équipé d'une poignée de lanceur à rappel facile à tirer.

Tige ou barre de profondeur - Deux types sont présentés. Monter avec les roues levées afin de régler la profondeur du sillon. Ce dispositif permet aussi de contrôler la direction et la vitesse de la motobineuse.

Roues - Montez les roues en position abaissée lors du déplacement de la motobineuse.

PROTECTION DES YEUX

Chaussez toujours des lunettes de protection. Si vous portez des lunettes correctrices, mettez aussi un masque de sécurité à grande visibilité.



ATTENTION : Des projections de corps étrangers lancés par la motobineuse peuvent atteindre les yeux et provoquer des blessures graves. Utilisez toujours une protection des yeux pendant l'utilisation de la motobineuse.

UTILISATION

MODE D'EMPLOI DE LA MOTOBINEUSE

Arrêt de la motobineuse

1. Relâchez la commande d'accélérateur afin d'arrêter les lames.
2. Mettre l'interrupteur MARCHÉ/ARRÊT (« ON/OFF ») de la poignée de droite en position d'ARRÊT (« OFF »).

Réglage de la profondeur

Votre modèle est muni soit d'une **tige** soit d'une **barre de profondeur** pour contrôler la profondeur de labourage et la vitesse de déplacement vers l'avant. Réglez la **tige** ou la **barre de profondeur** à la position de labourage désirée de la façon suivante :

1. Retirez la **goupille** et l'**axe de chape** de la **tige de profondeur** ou de la **barre de profondeur** (voir la Figure 7).
2. Ajustez la **tige** ou la **barre de profondeur** vers le haut pour un labourage de faible profondeur ou vers le bas pour creuser plus profondément.
3. Remettez en place la **goupille** et l'**axe de chape**.

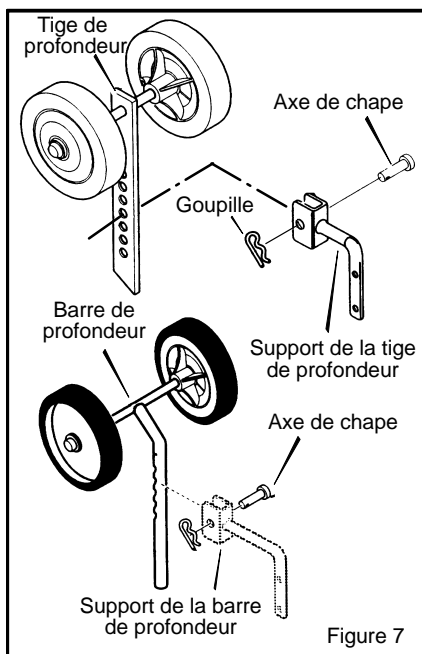


Figure 7

CONDUITE DE LA MOTOBINEUSE

1. Démarrez le moteur. Consultez la section « Démarrage du moteur ».
2. Inclinez la machine en arrière sur la tige ou la barre de profondeur jusqu'à ce que les lames ne touchent plus le sol. Serrez la commande d'accélérateur à fond contre la poignée. Le moteur est contrôlé par un régulateur et doit tourner à la puissance maximale lors du labourage.
3. Tenez fermement le manche et inclinez la machine vers l'avant pour commencer à labourer.
4. Lorsque les lames commencent à entrer en contact avec le sol, tirez les manches vers l'arrière de façon à ce que les lames se mettent à creuser au lieu de rouler sur le sol.
5. Évitez de labourer un sol trop sec qui se pulvérisera en poussière et ne retiendra pas l'humidité. De même, labourer un sol trop humide fatiguera la machine et produira des mottes de terre peu satisfaisantes.
6. L'abaissement de la tige de profondeur ralentit la motobineuse et produit un labourage plus profond. Le rehaussement de la barre de profondeur permet à la motobineuse de se déplacer plus rapidement avec un labourage moins profond. Consultez la section « Réglage de la tige ou de la barre de profondeur ».



ATTENTION : Restez à l'écart des lames en mouvement. Les lames qui tournent peuvent provoquer des blessures.

UTILISATION

AVANT DE DÉMARRER LE MOTEUR

Préparation du moteur



ATTENTION : Utilisez toujours un bidon d'essence de sécurité. Ne fumez pas en versant du mélange dans le réservoir. Ne remplissez pas le réservoir dans un endroit clos. Arrêtez le moteur avant d'ajouter du carburant. Laissez le moteur refroidir pendant plusieurs minutes.

Composition du mélange de carburant

Le moteur à deux temps utilisé sur ce cultivateur requiert l'utilisation d'un mélange d'essence et d'huile pour la lubrification des roulements et autre pièces mobiles. Les proportions correctes du mélange sont de 24 pour 1 (5,3 onces d'huile par gallon d'essence U.S. [environ 4 cl d'huile pour 1 litre d'essence] – voir le Tableau de composition du mélange). L'huile et l'essence doivent être mélangées d'avance dans un bidon d'essence propre. Utilisez toujours de l'essence fraîche, propre et sans plomb.

Mélangez l'essence et l'huile de la façon suivante :

1. Versez un (1) quart de gallon U.S. d'essence à moteur fraîche, propre et sans plomb dans un bidon d'essence d'une contenance d'un gallon U.S.

2. Ajoutez 5,3 onces d'huile deux temps de qualité supérieure dans le bidon d'essence.

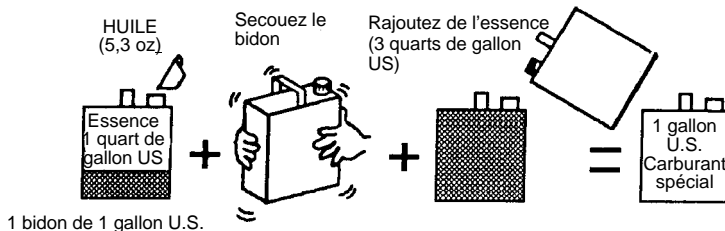
IMPORTANT : N'utilisez pas d'huile pour moteur de hors-bord ou d'huile à viscosité multiple, telles que les huiles 10W-30 ou 10W-40.

3. Rebouchez le bidon d'essence. Secouez vigoureusement le bidon d'essence pour mélanger l'huile et l'essence.
4. Ajoutez trois (3) quarts de gallon U.S. d'essence supplémentaire dans le bidon d'un gallon U.S. Secouez le bidon d'essence encore une fois.
5. La préparation du mélange est maintenant terminée. Le mélange est prêt à verser dans le réservoir.

TABLEAU DE COMPOSITION DU MÉLANGE (dosage 24 : 1)

U.S.		SI (Métrique)	
ESSENCE	HUILE	ESSENCE	HUILE
1 gallon US	5,3 oz.	4 litres	0,167 L
2 gallons US	11 oz.	8 litres	0,333 L
5 gallons US	27 oz.	20 litres	0,833 L

Ne remplissez pas le réservoir avec de l'essence pure sans huile. Secouez le bidon d'essence avant chaque remplissage du réservoir.



UTILISATION

DÉMARRAGE DU MOTEUR

Avant de démarrer le moteur, assurez-vous d'avoir bien lu et compris les instructions figurant dans les pages précédentes.

1. Remplissez le réservoir en laissant un vide d'un peu plus d'un centimètre en-dessous du bas du goulot du réservoir. Rebouchez bien le réservoir. Utilisez toujours de l'essence fraîche. N'utilisez jamais de l'essence croupie par une longue durée de stockage.
2. Mettez l'interrupteur MARCHE/ARRÊT (« ON/OFF ») en position de marche (« ON »). Voir Figure 8.
3. Si le moteur est froid, mettez le starter en position d'enrichissement maximum : **starter ouvert** (complètement descendu).

REMARQUE : N'utilisez pas le starter lorsque le moteur est chaud.

4. Placez la motobineuse en position stable sur ses lames et sa tige de profondeur, ou sur ses roues, dans un espace dégagé.
5. Tenez fermement le manche droit par la main gauche.
6. Saisissez la poignée de démarrage de la main droite et tirez-la pour démarrer le moteur. Recommencez si nécessaire. (Il est parfois nécessaire d'utiliser la main gauche pour tenir le levier d'accélérateur

contre la poignée. Dès que le moteur démarre, relâchez doucement l'accélérateur. Si l'accélérateur est relâché trop lentement, la machine peut commencer à avancer).

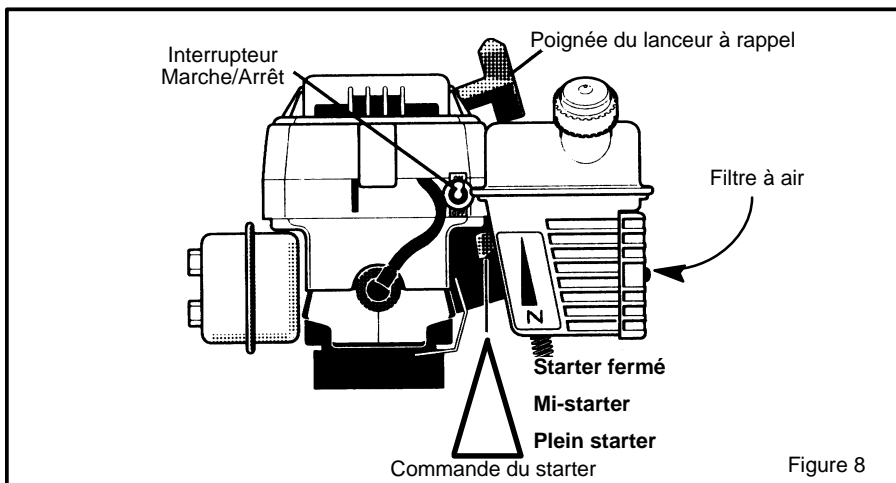
7. Lorsque le moteur a démarré, mettez le levier du starter en position **mi-starter**. Lorsque le moteur se met à tourner normalement, remettez le levier du starter à en position **starter fermé** (pas d'enrichissement).

REMARQUE : Si les lames ne s'arrêtent pas lorsque la poignée d'accélérateur est relâchée, réglez le ralenti du carburateur. Voir " Réglage du carburateur " dans la rubrique Entretien et réglages.

8. Pour arrêter le moteur, relâchez l'accélérateur et mettez l'interrupteur de MARCHE/ARRÊT (« ON/OFF ») en position d'ARRÊT (« OFF »).
9. Si le moteur est noyé, retirez la bougie pour la sécher. Voir "Entretien de la bougie" dans la section Maintenance de ce manuel. Tirez ensuite la corde de démarrage avec le starter en position **starter fermé**.



ATTENTION : Le pot d'échappement et les pièces avoisinantes sont chauds ou brûlants lorsque le moteur a tourné. Évitez de toucher ces pièces.



UTILISATION

CONSEILS POUR LE LABOURAGE

- Labourer la terre consiste à la creuser, la retourner et casser les mottes de terre compactes avant de planter. Une terre aérée et non tassée permet aux racines de croître aisément. La profondeur de labourage conseillée est de 10 à 15 cm. Une motobineuse permet aussi de débarrasser le sol des mauvaises herbes qui fertilisent le sol en se décomposant. En fonction du climat (pluie ou vent), il peut être utile de labourer à la fin de la saison de croissance afin de bien préparer le sol.
- Évitez de labourer un sol trop sec qui se pulvérisera en poussière et ne retiendra pas l'humidité. De même, labourer un sol trop humide fatiguera la machine et produira des mottes de terre peu satisfaisantes.
- Une meilleure croissance résultera d'un bon labourage et de l'utilisation du sol peu après le labourage afin de préserver l'humidité de la terre.
- La tige de profondeur (à l'arrière de la motobineuse) a une double fonction : elle sert à régler la profondeur de coupe et sert également de frein, ce qui permet au conducteur de contrôler la vitesse de la motobineuse.
- L'abaissement de la tige de profondeur ralentit la motobineuse et produit un labourage plus profond. Le rehaussement de la tige de profondeur permet à la motobineuse de se déplacer plus rapidement avec un labourage moins profond.
- Si la motobineuse cesse d'avancer et essaie de creuser plus profond que nécessaire, bougez les manches d'un côté à l'autre afin de rétablir la progression vers l'avant.
- Le binage consiste à creuser et aérer la terre autour des plantes pour en obtenir la meilleure croissance possible.
- Lors de l'utilisation de la motobineuse pour désherber, il est conseillé de biner à une profondeur ne dépassant pas 3 à 4 cm. Biner plus profondément ne fait que déterrer les semences non germées. Le rehaussement de la tige de profondeur permet à la motobineuse de se déplacer plus rapidement avec un labourage moins profond.
- Lors du binage autour de plantes ou de terrains étroits, il peut être utile de retirer les lames extérieures. Voir "Remplacement des lames" dans la rubrique Entretien et réglage.



ATTENTION : Lisez le manuel de l'utilisateur. Connaissez l'emplacement et la fonction de toutes les commandes. Vérifiez que tous les panneaux et dispositifs de sécurité sont en place. Ne laissez jamais des enfants, ou des adultes sans formation adéquate, utiliser la motobineuse. Coupez le moteur avant de dégager la terre des lames ou d'effectuer une réparation. Éloignez toute autre personne de la machine. Restez à l'écart des lames et pièces en mouvement. Celles-ci peuvent provoquer des blessures.

CONSEILS POUR LE RÉGLAGE DES ROUES ET DE LA TIGE DE PROFONDEUR

Labourage léger (de 2,5 à 5 cm de profondeur environ) avec une croissance modérée

Ajustez les roues sur leur position la plus haute ou près de celle-ci. Assurez-vous que les manches sont à une hauteur confortable pour la conduite de la motobineuse.

Préparation du sol pour semis (de 10 à 15 cm de profondeur)

F-031306L

Utilisez la tige de profondeur. Ajustez la tige de profondeur vers le bas pour labourer plus profondément.

Terre forte (10 cm ou plus de profondeur)

Retirez la tige de profondeur et enfoncez les lames dans le sol d'un mouvement de va-et-vient jusqu'à au moins 10 cm de profondeur. Tirez doucement la motobineuse en arrière pour permettre à la terre de repasser par-dessus les lames.

ENTRETIEN

RESPONSABILITÉS DE L'ACHETEUR

FICHES D'ENTRETIEN Remplissez les dates au fur et à mesure de la réalisation de l'entretien régulier.	Avant cha- que utilisa- tion	Après les 2 pre- mières heures	Toutes les 25 heures	Toutes les 75 heures	Avant le re- misage	Avant cha- que saison	DATES DE CHAQUE OPÉRA- TION
Serrez tous les boulons et écrous	✓	✓					
Lubrifiez l'arbre des dents			✓		✓		
Lubrifiez la transmission			✓			✓	
Vérifiez la bougie			✓		✓		
Nettoyez et huilez le filtre à air			✓		✓		
Nettoyez les orifices d'échappement du cylindre				✓			
Videz l'essence					✓		

CARACTÉRISTIQUES PRODUIT

N° modèle : Voir plaque d'identification

Date d'achat :

Puissance (HP) : 2

Cylindrée : 3.0 cu. in.
(49,2 cc)

Capacité en essence : 20 oz (env. 60 cl)

Ratio mélange ess/huile : 24:1 hui/ess
(5,3 oz. d'huile pour 1 gal US d'essence ordinaire sans plomb)

Bougie : Champion
RCJ-8Y

Écartement électrodes : 0,889 mm

Ralenti tr/min : 1700-3000

RECOMMANDATIONS GÉNÉRALES

La garantie de cette motobineuse ne s'applique pas aux pièces ayant été soumises à l'abus ou à la négligence de l'utilisateur. Pour bénéficier pleinement de cette garantie, l'utilisateur doit entretenir la motobineuse conformément aux instructions présentées dans ce manuel.

Certains réglages doivent se faire régulièrement pour un entretien correct de la motobineuse.

Tous les réglages expliqués dans la section Entretien et réglages de ce manuel doivent être vérifiés au moins une fois par saison.

ENTRETIEN

LUBRIFICATION

Toutes les 25 heures et/ou au début de chaque saison, veillez à ce que la boîte de vitesses soit remplie de lubrifiant (voir Figure 9). Les lubrifiants pour engrenages sont disponibles dans la plupart des magasins d'accessoires pour automobile. Utilisez de la graisse pour outils portatifs telle que la graisse Lubriplate 630AA (produit no. 06787, 1-3/4 oz. en tube) ou bien la graisse Lubriplate GR-132 (produit no. 15892, 10 oz. en tube).

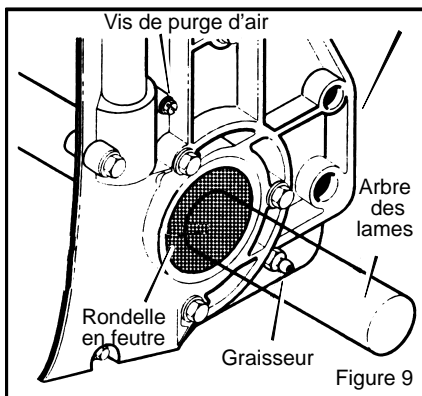
Après le nettoyage et avant le remisage, appliquez de l'huile sur l'**arbre des lames** (voir Figure 9).



ATTENTION : Laissez refroidir le système de transmission avant de le remplir de graisse.

1. Retirez les deux lames de gauche. Voir "Remplacement des lames" dans la rubrique Entretien et réglages.
2. Retirez la **vis de purge d'air** (voir Figure 9).
3. Placez un pistolet graisseur sur le **bouchon graisseur**. Remplissez la transmission jusqu'à ce que la graisse commence à ressortir par l'orifice de la vis de purge d'air.
4. Remontez la **vis de purge d'air**.

5. Vérifiez l'état de la **rondelle de feutre** (voir Figure 9). Remplacez la **rondelle de feutre** si elle est endommagée (voir la rubrique Pièces détachées de ce manuel).
6. Nettoyez et lubrifiez l'**arbre des lames** avec quelques gouttes d'huile.
7. Remontez les lames de gauche.
8. Démontez les lames de droite. Vérifiez que la **rondelle en feutre** n'est pas endommagée. Nettoyez et huilez l'**arbre des lames**. Remontez les lames de droite.

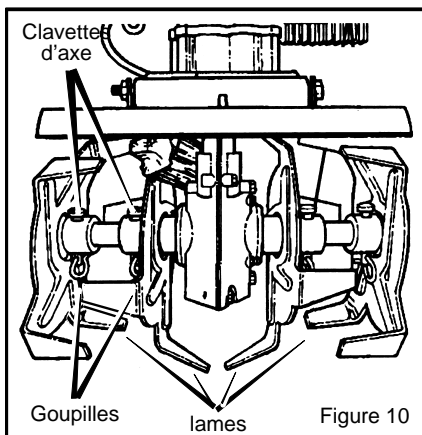


NETTOYAGE DES LAMES

Après chaque utilisation, enlevez toujours tous débris et terre de la motobineuse. Retirez toute corde et tout fil ou morceau de végétation susceptible de se coincer dans le mécanisme et d'empêcher les lames de tourner.

1. Relâchez l'accélérateur et mettez l'interrupteur de marche/arrêt en position d'arrêt. Débranchez le fil d'allumage de la bougie.
2. Après avoir enfilé des gants, retirez les **goupilles** et les **clavettes d'axe** fixant les lames à l'arbre (voir la Figure 10). Retirez les lames de l'arbre.
3. Retirez tous débris incrustés de l'arbre et des lames. Nettoyez et lubrifiez l'arbre des lames à l'aide de quelques gouttes d'huile.

4. Remontez les lames sur l'arbre et fixez-les à l'aide d'une goupille et d'une clavette d'axe.
5. Rebranchez le fil de la bougie.



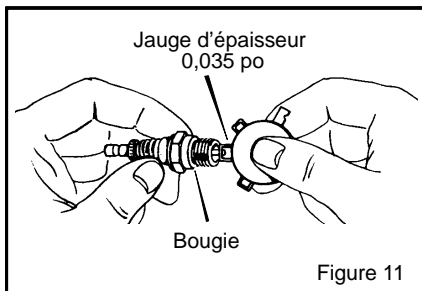
ENTRETIEN

BOUGIE

Vérifiez la **bougie** toutes les 25 heures. Remplacez la **bougie** si les électrodes sont brûlées ou corrodées ou si la porcelaine est fendue.

1. Vérifiez que la **bougie** est propre. Nettoyez la **bougie** en raclant les électrodes avec précaution (n'utilisez pas de décapeuse à jet de sable ni de brosse métallique).
2. Vérifiez l'**écartement des électrodes** avec une **jauge d'épaisseur**. Consultez les "Spécifications" pour l'écartement correct **des électrodes** et pour le remplacement de la **bougie**.

3. Avant de monter la **bougie**, enduisez le pas de vis avec une goutte d'huile de façon à pouvoir la retirer facilement. Vissez la bougie à un couple de 15 pieds-livre.



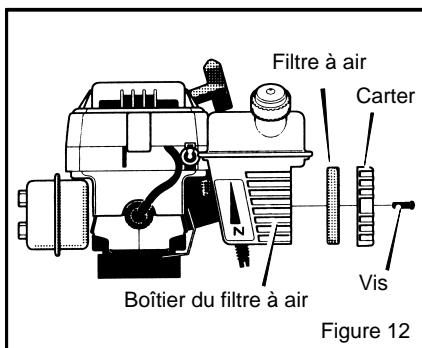
NETTOYAGE DU FILTRE À AIR

Le moteur est équipé d'un filtre à air en mousse qui peut être lavé et réutilisé. Nettoyez et huilez le filtre à air toutes les 25 heures. Nettoyez-le plus souvent dans un environnement poussiéreux. Démontez et nettoyez le filtre de la manière suivante :

ATTENTION : Ne faites jamais tourner le moteur sans filtre à air. Un filtre à air bouché par la poussière peut engendrer une perte de puissance et endommager le moteur ou provoquer son usure prématurée. Si le filtre à air est bouché, nettoyez-le ou remplacez-le immédiatement.

1. Débranchez le fil d'allumage de la bougie.
2. Retirez les **vis** du **carter** du filtre à air (voir Figure 12). Retirez le **carter** du filtre à air et le **filtre à air**.
3. Essuyez le **carter** et l'intérieur du **filtre à air** avec un chiffon propre.
4. Nettoyez le **filtre à air** dans une solution d'eau et de détergent ménager. Rincez soigneusement à l'eau claire.
5. Enveloppez le **filtre à air** dans un chiffon propre et sec. Pressez (sans tordre) jusqu'à ce que le filtre soit sec.

6. Recouvrez l'extérieur du **filtre à air** avec de l'huile. Utilisez le même type d'huile que pour la composition du carburant. Pressez légèrement le **filtre à air** pour répartir l'huile et en éliminer tout excès.
7. Placez le filtre à air **propre** dans son **boîtier**.
8. Remontez le **carter** du filtre à air et fixez-le avec les **vis** comme indiqué.
9. Rebranchez le fil d'allumage à la bougie.



ORIFICES D'ÉCHAPPEMENT DU CYLINDRE

Nettoyez les orifices d'échappement du cylindre après toutes les 75 heures d'utilisation. Nous vous conseillons pour cela de confier la machine à un centre de réparation agréé.

ENTRETIEN ET RÉGLAGE

DÉMONTAGE ET MONTAGE DES LAMES

Les références aux côtés droit ou gauche du cultivateur se font du point de vue de l'utilisateur aux commandes de la machine.

Les quatre lames sont différentes et ne peuvent pas être substituées l'une à l'autre. Les lames doivent être correctement montées ou la motobineuse ne fonctionnera pas comme il convient.

Pour travailler autour de plantes ou sur terrain étroit, il est possible de retirer les lames extérieures afin de réduire la largeur de labour à environ 18 cm.



ATTENTION : Les lames sont auto-affûtantes et deviennent très coupantes à l'usage. Manier avec prudence.

Toutes les lames s'usent à la même vitesse. Si les lames sont usées et doivent être remplacées, nous conseillons de remplacer les quatre à la fois. Pour remplacer les lames, procédez comme suit :

Démontage des lames

1. Mettez l'interrupteur de marche-arrêt en position d'arrêt sur « OFF ».
2. Débranchez le fil d'allumage de la bougie.
3. Après avoir enfilé des gants, retirez les **goupilles** et les **clavettes d'axe** fixant les lames à l'arbre (voir la Figure 13). Retirez les **lames** d'un côté de la machine.

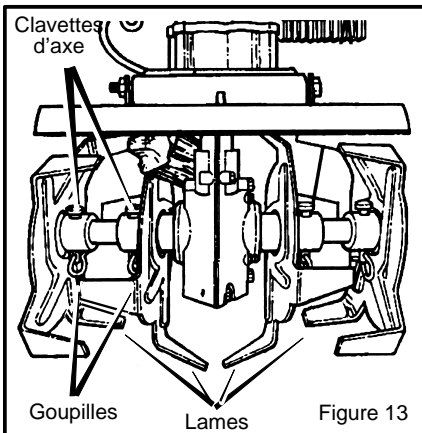


Figure 13

Montage des lames

1. Nettoyez et lubrifiez l'arbre des lames à l'aide de quelques gouttes d'huile.
2. Montez la lame intérieure sur l'arbre et remettez en place la **goupille** et la **clavette d'axe**.
3. Une fois les lames correctement posées, la lettre **R** apparaît sur le côté visible de la **lame droite** (voir Figure 14). La lettre **L** apparaît sur le côté visible de la lame gauche.

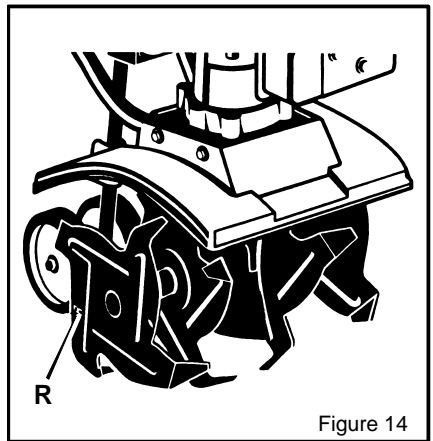


Figure 14

4. Montez la lame extérieure sur l'arbre et remettez en place la **goupille** et la **clavette d'axe** (voir Figure 13).
5. Les extrémités affûtées des lames extérieures sont toutes courbées vers la lame intérieure. Si les lames sont montées correctement, les lettres **R** à droite et **L** à gauche apparaissent sur les côtés visibles de la machine.
6. Répétez les étapes précédentes sur l'autre côté de la machine.

REMARQUE : Veillez à ce que les lames soient montées du bon côté de la machine.

ENTRETIEN ET RÉGLAGE

RÉGLAGE DU CARBURATEUR

Un moteur dont le filtre à air est sale tourne mal ou se met à fumer excessivement. Avant d'effectuer le réglage du carburateur, assurez-vous que le filtre à air est propre. N'effectuez jamais de réglage du carburateur si cela n'est pas nécessaire. Le carburateur a été réglé en usine pour fonctionner dans la plupart des conditions d'utilisation. Cependant, si un réglage s'avère nécessaire, nous vous conseillons de vous adresser à votre centre de réparation agréé le plus proche. Si vous pensez disposer des compétences requises pour effectuer ce réglage vous-même, procédez comme suit :



ATTENTION : soyez très prudent en effectuant des réglages nécessitant que le moteur soit en marche. Tenez mains, pieds, cheveux et vêtements amples loin de toute pièce en mouvement.

1. Tournez la **vis de réglage du mélange** dans le sens des aiguilles d'une montre jusqu'à ce qu'elle soit fermée (voir Figure 15).

IMPORTANT : afin de ne pas endommager le carburateur ou la vis de réglage, vissez les vis de réglage avec les doigts.

2. Tournez la **vis de réglage du mélange** d'un tour dans le sens contraire des aiguilles d'une montre.
3. Démarrez le moteur et laissez-le chauffer pendant 3 à 5 minutes. Ne tentez pas de régler le carburateur quand le moteur est froid.
4. Si le moteur tourne de manière saccadée ou s'arrête après que le levier du doseur ait été remis en position **FERMÉE**, tournez la **vis de réglage du mélange** de 1/8ème de tour supplémentaire dans le sens inverse des aiguilles d'une montre.
5. Le moteur en marche, relâchez la poignée d'accélérateur (en position de ralenti) pour effectuer les réglages du mélange.
6. Tournez lentement la **vis de réglage du mélange** dans le sens des aiguilles d'une montre jusqu'à ce que le moteur commence à tourner de manière saccadée. Marquez cette position.
7. Tournez ensuite lentement la vis de réglage du mélange dans le sens inverse

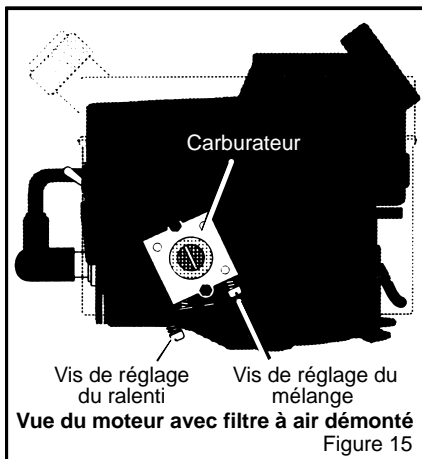
F-031306L

des aiguilles d'une montre jusqu'à ce que le moteur recommence à tourner de manière saccadée. Marquez cette position.

8. Tournez la vis de réglage du mélange dans le sens des aiguilles d'une montre jusqu'à ce qu'elle soit à mi-chemin entre la première et la deuxième position.
9. Vérifiez la vitesse de ralenti. Démarrez le moteur et relâchez l'accélérateur. Si les dents ne tournent pas lorsque la poignée d'accélérateur est relâchée, le ralenti est bien réglé. Si les dents tournent lorsque la poignée d'accélérateur est relâchée, réglez le ralenti de la manière suivante :
10. Demandez à quelqu'un d'incliner la machine en arrière sur la tige de profondeur jusqu'à ce que les dents ne touchent plus le sol.
11. Démarrez le moteur.
12. La poignée d'accélérateur relâchée (au ralenti), tournez la vis de réglage du ralenti dans le sens inverse des aiguilles d'une montre jusqu'à ce que l'arbre des dents cesse de tourner.



ATTENTION : Le gouverneur du moteur est réglé à l'usine. Ne modifiez pas le réglage du gouverneur. Il est dangereux de faire fonctionner le moteur en survitesse au-dessus du réglage d'usine. Si vous pensez qu'un réglage du gouverneur est nécessaire adressez-vous au Centre de service agréé le plus proche.



ENTRETIEN ET RÉGLAGE

ENTREPOSAGE



ATTENTION : N'entreposez jamais la motobineuse dans un bâtiment quand il reste de l'essence dans le réservoir. Ne l'entreposez jamais dans un endroit clos et peu ventilé où les vapeurs d'essence peuvent atteindre une flamme, une étincelle, ou la veilleuse d'une chaudière, d'un chauffe-eau ou d'un sèche linge.



ATTENTION : Ne videz pas d'essence à l'intérieur d'un bâtiment, près d'un feu ou en fumant. Les vapeurs d'essence peuvent déclencher un incendie ou une explosion.

Lorsque la motobineuse doit être entreposée pour une période de 30 jours ou plus, suivez les démarches suivantes pour veiller à ce qu'elle soit en bon état de fonctionnement la saison suivante.

Motobineuse

- Nettoyez toute la motobineuse.
- Démontez les lames. Nettoyez et huilez les arbres des lames. Montez les lames sur les arbres. Voir "Démontage et montage des lames" dans la rubrique Entretien et réglages.
- Dévisser les boutons qui maintiennent le mancheron supérieur au mancheron inférieur. Pliez le mancheron supérieur avec précaution. Vérifiez que le câble d'accélérateur n'est pas tordu. Serrez les boutons tournants.
- La barre transversale du mancheron supérieur (entre les mancherons inférieurs) peut maintenant servir de poignée de transport. Pour ranger la motobineuse en hauteur et économiser de la place, elle peut être accrochée par la barre transversale sur un crochet mural.

- Entreposez la motobineuse à l'intérieur d'un bâtiment bien ventilé.
- Recouvrez la motobineuse d'une housse appropriée ne retenant pas l'humidité. N'utilisez pas de plastique.

IMPORTANT : ne couvrez jamais la motobineuse lorsque le moteur et le système d'échappement sont encore chauds.

REMARQUE : il est conseillé de faire vérifier et régler la motobineuse par un centre de maintenance agréé une fois par an afin d'en obtenir les meilleures performances la saison suivante.

Moteur

IMPORTANT : Durant le stockage, il est important d'empêcher la formation de dépôts de gomme sur les éléments du circuit d'alimentation, tels que le carburateur, le filtre à essence, le tuyau d'essence, et le réservoir. L'utilisation d'essence à mélange d'alcool (appelées alco-essence, éthanol et méthanol) peuvent attirer de l'humidité provoquant une séparation et la formation d'acides durant la période de remisage. Les gaz acides peuvent endommager le circuit d'alimentation d'un moteur pendant le stockage.

Pour éviter que le moteur soit endommagé pendant la période de remisage, suivez les démarches suivantes :

- Laissez le moteur tourner jusqu'à ce qu'il tombe en panne d'essence.
- Tirez doucement la poignée du démarreur à rappel jusqu'à ce que la compression dans le cylindre suscite de la résistance, puis arrêtez.
- Relâchez doucement la poignée du démarreur à rappel. Cette position suscite la fermeture de l'arrivée d'air et de l'échappement et réduit ainsi le risque de corrosion du piston et du cylindre.

TABLEAU DE DEPANNAGE

PANNE	CAUSE	RÉPARATION
<p>Le moteur est difficile à démarrer</p> <p style="text-align: center;">ou</p> <p>Le moteur tourne de manière saccadée</p> <p style="text-align: center;">ou</p> <p>Le moteur n'accélère pas complètement</p>	Mélange d'essence croupie	Videz le réservoir d'essence. Remettez un mélange de carburant frais.
	Trop d'huile dans le mélange	Vérifiez le tableau des proportions et refaites un nouveau mélange.
	Impuretés dans le réservoir ou panne sèche	Nettoyez le réservoir d'essence.
	Carburateur mal réglé	Consultez la rubrique Réglage du carburateur.
	La bougie est encrassée	Nettoyez la bougie et vérifiez l'écartement des électrodes.
	Filtre à air sale	Nettoyez et huilez le filtre à air.
Le moteur n'accélère pas comme il faut	Débris encombrant la tringlerie de l'accélérateur	Nettoyez saletés et débris au-dessus du carburateur.
Le moteur émet trop de fumée	Filtre à air bouché	Nettoyez et huilez le filtre à air.
	Trop d'huile dans le mélange	Vérifiez le tableau des proportions et refaites un nouveau mélange.
Les lames continuent à tourner lorsque la poignée d'accélérateur est relâchée	Carburateur mal réglé	Réglez le ralenti du carburateur. Consultez " Réglage du carburateur " dans la section sur la Maintenance.
Les lames ne tournent pas	Débris coincés dans les lames	Enlever les débris. Consultez le " Nettoyage des lames " dans la section de Maintenance.
La machine ne laboure pas correctement	Montage incorrect des lames	Vérifier que les lames soient bien montées. Consultez " Démontage et montage des lames " dans la rubrique Entretien et réglages.

COMMANDE DE PIÈCES DÉTACHÉES

N'utiliser que des pièces de rechange usine. Les pièces de rechange, à l'exclusion du moteur et de la boîte de vitesse, sont en vente dans le magasin où le véhicule a été acheté, dans les ateliers de réparation recommandés par le magasin, et dans les ateliers de réparation agréés figurant dans les pages jaunes de l'annuaire. En cas de difficulté à obtenir des pièces de rechange ou du service de la manière décrite ci-dessus, téléphoner ou écrire au distributeur central de pièces indiqué ci-dessous. Lors de la commande, inclure les renseignements suivants : (1) Numéro complet du modèle (voir la plaque signalétique), (2) date de fabrication, (3) numéro de référence complet de la pièce, (4) description, (5) quantité. Les pièces de rechange du moteur et de la boîte de vitesses sont en vente dans les centres de réparation agréés par le fabricant figurant dans les pages jaunes de l'annuaire. Voir les garanties individuelles du moteur ou de la boîte de vitesse.

DISTRIBUTEURS RÉGIONAUX DE PIÈCES POUR TONDEUSES MURRAY, INC.

BILLIOU'S, INC.

1343 South Main St.
Porterville, CA. 93257
(559)784-4102 1-877-245-5468
FAX 1-800-266-7337

Arizona, Californie, Hawaï, Nevada

BROWN & WISER, INC.

9991 S.W. Avery Street
Tualatin, OR. 97062
(503)692-0330 1-800-882-4782
FAX (503)691-2041

Alaska, Idaho (comtés: Ada, Adams, Benewah, Boise, Bonner, Boundry, Canyon, Clearwater, Elmore, Gem, Idaho, Kooten, Latah, Lewis, NEZ Perce, Owyee, Payette, Ravalli, Shoshone, Valley, Washington), **Montana** (comtés: Flathead, Lake, Lincoln, Mineral, Missoula, Ravalli, Sanders), **Oregon, Washington**

CPT CANADA POWER TECHNOLOGY LIMITED

Mississauga

161 Watline Avenue
Mississauga, Ontario
L4Z-1P2
(905)890-6900 1-800-861-9559

Edmonton

101-10411-178 Street
Edmonton, Alberta
T5S 1R5
(780)453-5791 1-800-861-9559

Ville St-Laurent

234 Migneron Street
Ville St-Laurent, Québec
H4T 1Y7
(514)731-3559 1-800-861-9559
Canada

FRANK EDWARDS CO.

3626 Parkway Blvd.
West Valley City, UT 84120
1-800-318-0201
FAX (801)736-8067

Colorado, Idaho (comtés: Bannock Bearlake, Bingham, Blaine, Booneville, Butte, Camas, Caribou, Cassia, Custer, Franklin, Fremont, Gooding, Jefferson, Jerome, Lemhi, Lincoln, Madison, Minidoka, Oneida, Power, Teton, Twin Falls) **Montana** (tous comtés sauf: Brown and Wiser), **Utah, Wyoming**

GARDNER, INC.

1150 Chesapeake Ave.
Columbus, OH. 43212
(614)488-7951 1-800-848-8946

Alabama, Arkansas (excepté les comtés suivants: Hempstead, Howard, Lafayette, Little River, Miller, Nevada, Pike, Sevier), **Connecticut, Delaware, District of Columbia, Florida, Georgia, Illinois** (du sud de la Hwy. 80), **Indiana, Iowa, Kansas, Kentucky, Louisiana, Maine, Maryland, Massachusetts, Michigan** (sauf la péninsule supérieure), **Mississippi, Missouri, Nebraska, New Hampshire, New Jersey, New York, North Carolina, Ohio, Pennsylvania, Rhode Island, South Carolina, Tennessee, Virginia, West Virginia**

Puerto Rico

GULF COAST ENGINE, INC.

4202 Russell Dr.
Corpus Christi, TX. 78408
1-800-825-6999
FAX (888)888-7036

Arkansas (comtés: Hempstead, Howard, Lafayette, Little River, Miller, Nevada, Pike, Sevier) **New Mexico, Oklahoma, Texas, Mexico**

WISCONSIN MAGNETO

4727 N. Teutonia Ave.
Milwaukee, WI. 53209
1-800-733-7388
FAX 1-800-733-0127
Illinois (nord de la Hwy. 80), **Michigan** (péninsule supérieure), **North Dakota, South Dakota, Wisconsin**

NOTES

Garantía Limitada de Dos Años de MURRAY, INC.

Murray, Inc. garantiza al comprador original que esta unidad estará libre de defectos en material y mano de obra, bajo uso y servicio normales, por un período de **Dos (2) Años** a partir de la fecha de compra; sin embargo, esta garantía no cubre motores, accesorios (tales como soplador de nieve, cuchilla para nieve, bolsas recogedoras de hierba y arados), transmisiones, baterías y piezas / partes de desgaste normal (con las excepciones indicadas más adelante), tampoco cubre los ejes transversales puesto que las compañías que fabrican estas piezas ofrecen sus propias garantías y proveen servicio por medio de sus instalaciones autorizadas de servicio en campo. Para obtener mayor información, consulte las garantías que cubren estas piezas en particular. Si usted no está seguro de que su unidad contenga o esté equipada con una o más de estas piezas, consulte con su vendedor antes de efectuar la compra. De acuerdo a los términos y condiciones especificadas en esta Garantía Limitada, nosotros repararemos o reemplazaremos, a nuestro juicio, sin costo para el comprador original, cualquier pieza que esté cubierta por esta Garantía Limitada, durante el período de garantía aplicable.

Si dentro de noventa (90) días de la fecha de compra, usted encuentra un defecto en la batería, nosotros la reemplazaremos sin costo para usted. Si el defecto aparece después de los noventa (90) días, pero dentro de ciento veinte (120) días de la fecha de compra, nosotros la reemplazaremos por la mitad (1/2) del precio de venta que esté vigente en el momento de la devolución.

Las piezas de desgaste normal se definen como correas, cuchillas, adaptadores para la cuchilla, llantas neumáticas, faros y cubiertas de asiento. Se garantiza que estas piezas estarán libres de defectos de material y mano de obra al momento de entregar el producto. Cualquier reclamo para reparación o reemplazo de piezas / partes de desgaste normal debe ser hecho dentro de treinta (30) días a partir de la fecha de compra. No se aceptará ningún reclamo por fallas en el material que se deban al uso, abuso o maltrato por parte del operador.

Esta **Garantía Limitada de Dos (2) Años de Murray, Inc.** es su remedio exclusivo; sin embargo, esta garantía queda nula o sin efecto para cualquier unidad que haya sido estropeada, modificada, maltratada, abusada o alquilada, usada con fines comerciales y/o profesionales (no residenciales). Su garantía no cubre ajustes mecánicos secundarios que no se deban a algún defecto en el material o mano de obra. Consulte su manual de instrucciones para obtener información acerca de cómo realizar tales ajustes.

Para hacer un reclamo bajo esta **Garantía Limitada de Dos (2) Años de Murray, Inc.**, devuelva la unidad (o la pieza defectuosa, si su devolución ha sido autorizada con anterioridad), junto con su comprobante de venta, al Centro de Servicio Autorizado más cercano. Para localizar el Centro de Servicio Autorizado más cercano, comuníquese con el Distribuidor Central de repuestos de su zona, esta información aparece en la lista incluida con su unidad, también puede consultar en los listados de las Páginas Amarillas de su guía telefónica local. Si usted devuelve la unidad completa, nosotros la repararemos. Si autorizamos la devolución de la pieza defectuosa solamente, repararemos o cambiaremos la pieza. Cuando se trata de un defecto en la transmisión o diferencial (no el eje transversal), debe devolverse la transmisión o diferencial completo puesto que estas piezas no cuentan con partes que se puedan reparar.

Esta **Garantía Limitada de Dos (2) Años de Murray, Inc.**, le otorga derechos legales específicos, y es posible que tenga otros derechos que varían de un Estado a otro. **Esta Garantía Limitada es la única que se proporciona al comprador en lugar de cualquier otra garantía expresa o implícita, incluyendo la garantía implícita de comercialización o la de adecuación a un propósito determinado.** Si usted precisa más información sobre el contenido de esta garantía o si requiere asistencia para obtener algún servicio, llame o escriba a la dirección / número de teléfono indicado más abajo. El número del modelo junto con el número 1-800 del Centro de ATENCIÓN AL CLIENTE se encuentran en la Placa de Identificación del Número de Modelo colocada en la unidad.

MURRAY, INC.

Outdoor Power Equipment
Customer Service Department
P.O. Box 268
Brentwood, Tennessee 37027

INFORMACIÓN PARA EL PROPIETARIO

Este manual de instrucciones está escrito para una persona que tenga algo de habilidad mecánica. Como en la mayoría de los manuales de servicio, aquí no se describen todos los pasos. Los pasos acerca de cómo aflojar o apretar los sujetadores son pasos que cualquier persona con un poco de habilidad mecánica puede seguir. Lea y siga estas instrucciones antes de usar la unidad.

Conozca su producto: Si usted entiende el funcionamiento de la unidad, obtendrá de ésta el mejor rendimiento. A medida que vaya leyendo este manual, vaya comparando las ilustraciones con la unidad. Aprenda la ubicación y la función de los controles. Para prevenir accidentes, siga las instrucciones de operación y las normas de seguridad. Guarde este manual para consultas futuras.

IMPORTANTE: Muchas unidades se venden en la caja sin ensamblar. El dueño de la unidad tiene la responsabilidad de comprobar que se sigan exactamente las instrucciones de ensamblado que aparecen en este manual. Otras unidades se compran ya ensambladas. En las unidades que se compran ya ensambladas, el propietario es responsable de comprobar que la unidad haya sido ensamblada correctamente. El propietario debe revisar minuciosamente la unidad, de acuerdo a las instrucciones de este manual, antes de usarla por primera vez.

RESPONSABILIDAD DEL PROPIETARIO

La responsabilidad del propietario es seguir las instrucciones a continuación.

1. Lea con atención y siga las reglas para una operación segura.
2. Siga todas las instrucciones de ensamblado y preparación.
3. Revise la unidad.
4. Asegúrese de que la persona que opere la unidad sepa cómo usar correctamente todo el equipo estándar y accesorio.
5. Opere la unidad solamente con los resguardos, placas y otros dispositivos de seguridad en su lugar y funcionando correctamente.
6. Ajuste la unidad de la manera correcta.
7. Al reparar la unidad use sólo piezas de repuesto autorizadas o aprobadas.
8. Finalice todo mantenimiento en la unidad.

 **WARNING:** 

Las emanaciones de escape del motor y ciertos componentes de esta unidad contienen o emiten sustancias químicas conocidas por el Estado de California como carcinógenas, también pueden causar defectos de nacimiento o causar daños al sistema reproductivo.

Los bornes, terminales y accesorios relacionados con la batería contienen plomo y compuestos del plomo, sustancias químicas conocidas por el Estado de California como carcinógenas, también pueden causar defectos de nacimiento o causar daños al sistema reproductivo. DEBE LAVARSE BIEN LAS MANOS DESPUÉS DE MANIPULAR ESTOS COMPONENTES.

IMPORTANTE

Normas de seguridad para la operación de la cultivadora



ADVERTENCIA: Busque este símbolo que le indicará puntos importante de precaución para su seguridad. Este símbolo quiere decir: “Atención! Esté alerta! Se trata de su seguridad.”



ADVERTENCIA: Para prevenir el arranque accidental de la máquina, cuando la esté ensamblando, transportando, esté realizando ajustes o reparaciones, siempre desconecte el cable de la bujía y colóquelo de manera que no haga contacto con la bujía.

IMPORTANTE: Las normas de seguridad requieren que la unidad esté equipada con controles que funcionan solamente en la presencia del operador para reducir el riesgo de accidentes. Su cultivadora está equipada con este tipo de controles. Por ningún motivo debe intentar anular la función de estos controles que sólo trabajan en la presencia del operador.

Antes de usar la unidad

- Lea con atención el Manual del usuario. Familiarícese completamente con los controles y con el uso apropiado de la cultivadora. Aprenda a detener la cultivadora y a desenganchar rápidamente los controles.
- Siempre que use la cultivadora deberá vestirse con ropa apropiada. Use calzado que le dé buena tracción en superficies resbaladizas.
- Mantenga el área de operación libre de personas, especialmente de niños pequeños y mascotas.
- Revise completamente el área donde se usará la cultivadora y despéjela de todo objeto que pueda ser golpeado por la unidad.
- Tenga en cuenta que el operador o usuario es responsable por los accidentes o peligros para otras personas, sus propiedades, y también para ellos mismos.
- Desenganche todos los embragues y cambie a neutro antes de hacer arrancar el motor.

Seguridad con el combustible

- Tenga cuidado al manejar el combustible; es sumamente inflamable.

- Use un bidón aprobado para combustible.
- Revise la cantidad de combustible antes de cada uso, dejando espacio suficiente para la expansión que puede causar el calor del motor y/o del sol.
- Llene el tanque de combustible a la intemperie y con muchísimo cuidado. No fume cuando esté reabasteciendo. Nunca llene el tanque dentro de un local cerrado. Coloque la tapa del tanque de manera que quede segura y limpie cualquier combustible derramado.
- Si se derrama combustible, no intente hacer arrancar el motor, aleje la máquina del área del derrame y evite crear cualquier fuente de ignición hasta que los vapores del combustible se hayan disipado.
- Nunca quite la tapa del tanque de combustible ni añada combustible a un motor que esté en marcha o que esté caliente.
- Nunca guarde combustible ni la cultivadora con combustible en el tanque dentro de un local donde los vapores puedan alcanzar una llama expuesta.

Operación segura

- Nunca permita que niños o adolescentes operen la cultivadora. Manténgalos alejados mientras se está utilizando. Nunca permita que adultos operen la cultivadora sin no han recibido las instrucciones apropiadas.
- No opere esta máquina si está tomando drogas u otros medicamentos que puedan causar sueño o afectar su habilidad para operar esta máquina con seguridad.
- No use esta máquina si no está física o mentalmente capacitado para hacerlo de una manera segura.
- Siempre use gafas de seguridad o caretas protectoras al operar, ajustar o reparar la unidad para proteger sus ojos de objetos que pudieran ser lanzados por la cultivadora.
- No ponga las manos o los pies cerca o debajo de piezas giratorias.

IMPORTANTE

- Preste mucha atención cuando opere la cultivadora sobre o a través de entradas de auto, senderos o caminos cubiertos de grava. Esté alerta a peligros ocultos o al tráfico.
- Tenga mucho cuidado para no resbalar o caer.
- Nunca opere la cultivadora sin colocar en su lugar los respectivos resguardos, placas u otros dispositivos de seguridad.
- Use solamente aditamentos y accesorios aprobados por el fabricante de la máquina. (como por ejemplo, pesos para las ruedas, contrapesos, etc.).
- Nunca opere la cultivadora a alta velocidad de transporte sobre superficies duras o resbaladizas. Siempre que retroceda mire hacia atrás y hágalo con cuidado.
- Nunca permita que haya personas cerca de la cultivadora en marcha.
- Mantenga alejados a niños y mascotas durante la operación de la máquina.
- Nunca opere la cultivadora sin tener buena visibilidad o luz suficiente.
- Tenga cuidado al cultivar sobre tierra compacta. Los dientes podrían atascarse en el suelo e impulsar la cultivadora hacia adelante. Si esto ocurre, suelte los mangos y no intente detener la máquina.
- Tenga mucho cuidado al retroceder o jalar la máquina hacia usted.
- No haga ajustes al regulador de velocidad del motor ni haga funcionar el motor a una velocidad excesiva.
- Haga arrancar el motor o enciéndalo con cuidado de acuerdo a las instrucciones y con los pies bastante alejados de los dientes de la unidad.
- Nunca levante ni cargue una máquina mientras el motor está en marcha.
- Nunca deje correr el motor dentro de un recinto o área cerrada. Los vapores del sistema de escape son peligrosos, contienen MONÓXIDO DE CARBONO, un GAS INODORO y MORTAL.
- Tome todas las precauciones posibles cuando deba dejar la cultivadora desatendida. Pare el motor y saque la llave (si la hay).
- No exceda la capacidad de su cultivadora al tratar de arar muy profundo a una velocidad muy rápida.

Almacenamiento seguro

- Cuando la cultivadora va a estar almacenada por largo periodo, consulte las instrucciones del manual del usuario para obtener información detallada importante al respecto.
- Nunca guarde la cultivadora con combustible en el tanque dentro de una construcción donde pudieran haber fuentes de ignición tales como calentadores de agua y estufas, secadoras de ropa, etc. Deje que el motor se enfríe antes de guardar la unidad en un recinto cerrado.
- Si es necesario vaciar el tanque, hágalo al aire libre.
- Mantenga la cultivadora en condiciones seguras de funcionamiento. Revise con regularidad todos los sujetadores para mantenerlos debidamente apretados.

Reparación / Ajustes seguros

- Si golpea algún objeto con la unidad, pare el motor. Desconecte el cable de la bujía y manténgalo alejado de ésta para evitar un arranque accidental del motor. Inspeccione la cultivadora cuidadosamente para ver si sufrió algún daño, y si está averiada deberá repararla antes de hacerla funcionar nuevamente.
- Si la cultivadora comienza a vibrar de una manera anormal, apague el motor y revise la unidad de inmediato para encontrar la causa. Generalmente la vibración es una indicación de alguna avería.
- Apague el motor siempre que tenga que dejar la unidad. También, desconecte el cable de la bujía antes de despejar los dientes y antes de hacer cualquier reparación, ajuste o inspección a la unidad.
- Antes de limpiar, reparar o inspeccionar la unidad, apague el motor y asegúrese de que todas las piezas o parte móviles se hayan detenido.
- Nunca trate de hacer ajustes mientras el motor esté en marcha, a menos que esto sea recomendado específicamente por el fabricante de la unidad.

IMPORTANTE

SÍMBOLOS INTERNACIONALES

IMPORTANTE: La mayoría de los símbolos a continuación se encuentran ubicados en la unidad o en la información que viene con el producto. Antes de usar la unidad, familiarícese con el significado y propósito de cada uno de los símbolos.

Símbolos de control y funcionamiento



Marcha lenta



Marcha rápida



Combustible



Aceite

Cebador APAGADO

Cebado medio

Cebado completo



Símbolos de advertencia y seguridad



ADVERTENCIA
Lanza objetos.
Mantener transeúntes
alejados.



ADVERTENCIA
Piezas giratorias. Apagar el
motor y desconectar el cable
de la bujía antes de hacer
ajustes a la máquina.



ADVERTENCIA



IMPORTANTE
Leer el Manual del
usuario antes de
operar esta máquina.



ADVERTENCIA
Usar protección para
los ojos.



PARAR

ENSAMBLAJE

ENSAMBLAJE

PARTES EMPACADAS POR SEPARADO EN LA CAJA

- 1 - Manual del usuario (no aparece en la figura)
- 1 - Mango superior
- 1 - Mango derecho inferior
- 1 - Mango izquierdo inferior
- 1 - Bolsa de partes



ADVERTENCIA: Use siempre gafas de seguridad o caretas protectoras mientras ensambla la cultivadora.

La Figura 1 muestra la cultivadora completamente ensamblada.

Cuando se indica el lado derecho o el lado izquierdo de la cultivadora en este manual, siempre se refiere al punto de vista del operador en su posición detrás de la unidad.

CÓMO SACAR LA CULTIVADORA DE LA CAJA

1. Saque la bolsa de partes de la caja.
2. Saque los mangos de la caja.
3. Retire el material de empaque colocado alrededor de la unidad.
4. Levante y saque la cultivadora de la caja y colóquela sobre una superficie plana y estable.

5. Retire el material de empaque colocado alrededor de los dientes.

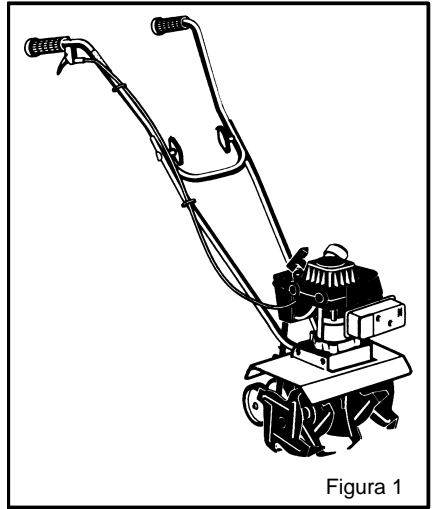


Figura 1

CÓMO ENSAMBLAR EL MANGO

Los mangos inferiores tienen un doblez corto en la parte inferior y han sido aplanados en la parte superior.

1. Desenrolle el control de aceleración de alrededor del motor. Estire el cable de aceleración. Asegúrese de no doblar ni retorcer el cable.
2. Retire las **contratuercas**, los **espaciadores** y los **tornillos de la cubierta protectora de los dientes** (Figura 2).

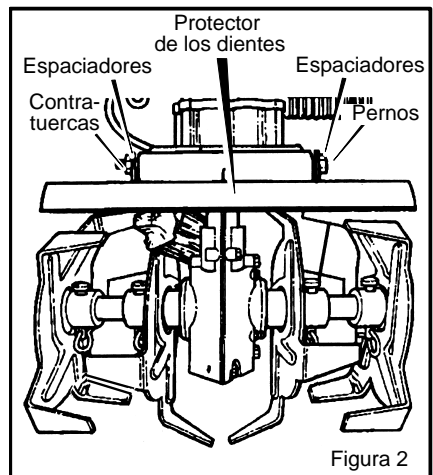


Figura 2

ENSAMBLAJE

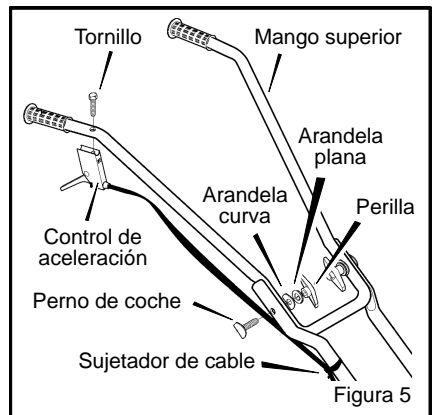
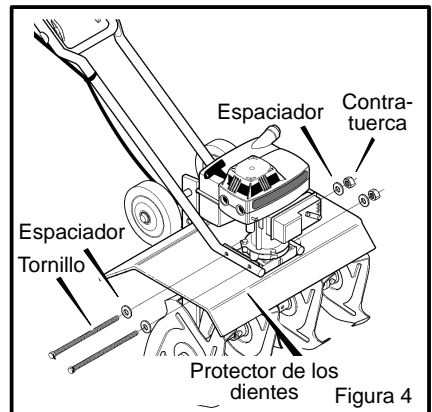
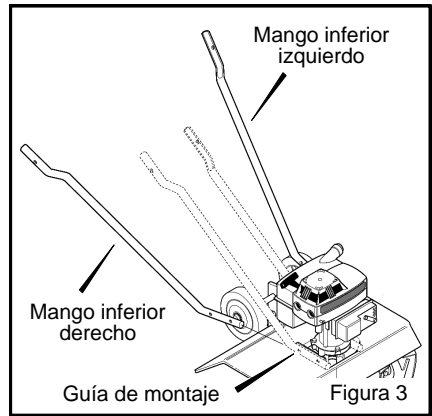
3. Inserte el **mango inferior derecho** en la **guía de montaje** (Figura 3). Asegúrese que el extremo plano en la parte superior del mango quede orientado hacia adentro.
4. Monte un **espaciador** sobre cada **tornillo**. Empuje los **tornillos** a través de la **cubierta protectora de los dientes**, el **mango inferior** y hasta la mitad en la caja del motor (Figura 4).
5. Inserte el **mango inferior izquierdo** en la **guía de montaje** (Figura 3). Asegúrese que el extremo plano en la parte superior del mango quede orientado hacia adentro.
6. Empuje los **tornillos** a través de la caja del motor, del **mango inferior** y de la **cubierta protectora de los dientes**. Asegure con los **espaciadores** y las **contratuercas** como se muestra en Figura 4. No los apriete todavía.
7. Retire los sujetadores del **mango superior** (Figura 5).
8. Monte el **mango superior** a los mangos inferiores usando los sujetadores que quitó en el paso 7.
9. Apriete las **perillas**.

NOTA: Para apretar las perillas, sujete la cabeza curva del perno de coche contra la parte exterior del mango inferior mientras aprieta las perillas.

10. Apriete las **contratuercas** que sujetan los extremos de los mangos inferiores (Figura 4). Apriételas lo suficiente solamente para sujetar firmemente los mangos.

PRECAUCIÓN: Apretar demasiado las **contratuercas** puede cambiar la forma del mango y dañar la caja del motor.

11. Monte el **control de aceleración** en el lado derecho del **mango superior** usando el **tornillo** de la manera que se muestra en Figura 5.
12. Conecte el cable del control de aceleración al mango inferior usando el **sujetador de cable**. Asegúrese de que el cable del control de aceleración esté enrutado hacia afuera de los mangos.



ENSAMBLAJE

✔ LISTA DE COMPROBACIÓN

Para obtener un rendimiento óptimo y la mayor satisfacción de este producto de alta calidad, favor de revisar la siguiente lista de comprobación antes de hacer funcionar su cultivadora:

- ✔ Se han completado todas las instrucciones de ensablado.
- ✔ Revise la caja. Compruebe que no quede ninguna pieza o parte en la caja.
- ✔ Todos los sujetadores han sido apretados firmemente.

A medida que vaya aprendiendo a usar la cultivadora preste especial atención a los siguientes puntos importantes:

- ✔✔ El tanque se llena con una mezcla de combustible fresca y limpia.
- ✔✔ Familiarícese y entienda la función de todos los controles. Antes de hacer arrancar el motor, verifique el funcionamiento de todos los controles.

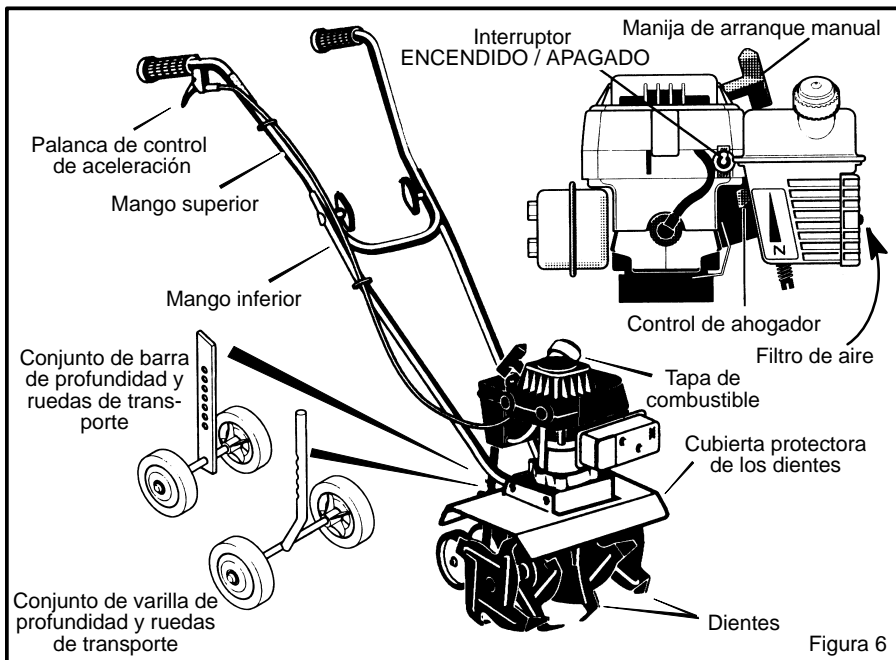
IMPORTANTE: Esta unidad está equipada con un motor de combustión interna y no debe ser usada en o cerca de ningún terreno basto de cubierta forestal, de maleza o de hierba, a menos que el sistema de escape del motor esté equipado con un parachispas que cumpla con las leyes locales y estatales aplicables (si existen). Si se usa el parachispas, el operador debe mantenerlo en buenas condiciones de funcionamiento.

En el Estado de California lo indicado anteriormente es exigido por ley (Sección 4442 del Código de Recursos Públicos de California). Otros estados pueden tener leyes similares. Las leyes federales aplican sobre los terrenos federales. Para conseguir un parachispas para el sistema de escape, acuda a un Centro de Servicio Autorizado.

OPERACIÓN

CONOZCA SU CULTIVADORA

ANTES DE HACER FUNCIONAR LA CULTIVADORA, LEA EL MANUAL DEL USUARIO Y TODA LA INFORMACIÓN SOBRE SEGURIDAD. Para familiarizarse con la ubicación de los controles, compare las siguientes ilustraciones con su cultivadora. **Guarde este manual para consultas futuras.**



Control de aceleración - Controla la velocidad del motor y la rotación de los dientes. La cultivadora está equipada con un embrague centrífugo que engancha el sistema de transmisión de los dientes cuando se aumenta la velocidad del motor.

Palanca de control del ahogador - Se usa para ayudar a arrancar el motor en frío.

Interruptor de ENCENDIDO / APAGADO - La posición ENCENDIDO permite hacer arrancar el motor. La posición APAGADO para el motor y no lo deje arrancar.

Manija de arranque manual - El motor está equipado con una manija de arranque manual fácil de usar.

Barra de profundidad o varilla de profundidad - Se muestran dos tipos. Móntela con las ruedas arriba para ajustar la profundidad del corte. También se usa para ayudar a controlar la dirección y la velocidad de la cultivadora.

Ruedas de transporte - Monte las ruedas en la posición más baja cuando esté trasladando la cultivadora.

PROTECCIÓN PARA LOS OJOS

Use siempre gafas de seguridad. Si usa anteojos recetados, colóquese una careta de seguridad de visión amplia sobre sus anteojos.



ADVERTENCIA: La cultivadora puede lanzar con fuerza objetos y basuras a los ojos, lo cual puede causar lesiones graves. Use siempre gafas de seguridad o caretas protectoras durante la operación de la cultivadora.

OPERACIÓN

CÓMO USAR LA CULTIVADORA

Cómo detener la cultivadora

1. Suelte el control de aceleración para detener la rotación de los dientes.
2. Mueva el interruptor de ENCENDIDO / APAGADO, en el motor, a la posición APAGADO.

Cómo ajustar la profundidad

El modelo que usted escoja tendrá una **barra de profundidad** o una **varilla de profundidad** para controlar la profundidad del arado y la velocidad de avance. Ajuste la **barra de profundidad** o la **varilla de profundidad** a la posición de arado desea, siguiendo las indicaciones siguientes:

1. Retire el **pasador abierto** y el **pasador de horquilla** de la **barra de profundidad** o **varilla de profundidad** (Figura 7).
2. Ajuste de la **barra de profundidad** o **varilla de profundidad** hacia arriba para cavar a menos profundidad o hacia abajo para cavar a mayor profundidad.
3. Instale nuevamente el **pasador de horquilla** y el **pasador abierto**.

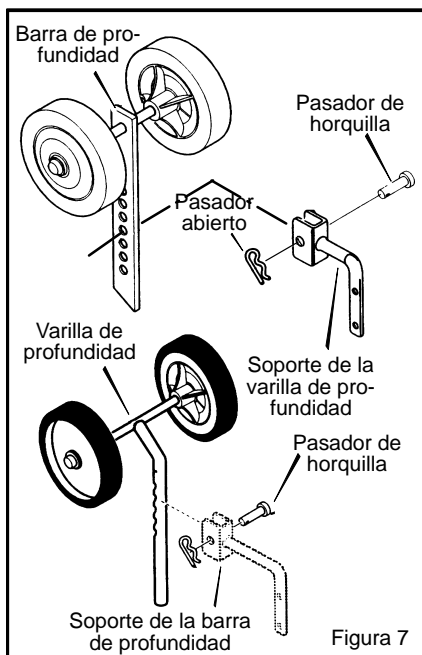


Figura 7

CÓMO OPERAR LA CULTIVADORA

1. Arranque el motor. Consulte "Cómo hacer arrancar el motor".
2. Incline la unidad hacia atrás sobre la barra de profundidad o la varilla de profundidad hasta que los dientes no toquen el suelo. Apriete el control de aceleración contra el manillar todo lo que pueda. El motor es controlado por un regulador de velocidad y debe hacerlo funcionar a su máxima aceleración cuando está cultivando.
3. Sujete el mango firmemente y lentamente incline la unidad hacia adelante para iniciar la acción de cultivar.
4. A medida que los dientes comienzan a hacer contacto con la tierra, sujete la unidad por los mangos para que los dientes se entierren en el suelo y la uni-

dad no avance simplemente sobre la tierra.

5. Evite arar tierra muy seca, ya que esto sólo producirá un polvo que no retiene agua. Asimismo, evite arar tierra muy mojada, ya que esto excederá la capacidad de la máquina y producirá terrones / acumulaciones de tierra.
6. Bajando la barra/varilla hará que la cultivadora avance más lento y que cave a mayor profundidad. Levantar la barra/varilla de profundidad le permitirá avanzar más rápido y excavar la tierra a menor profundidad. Consulte "Cómo ajustar la barra de profundidad o la varilla de profundidad".



ADVERTENCIA: Manténgase alejado de los dientes giratorios, éstos pueden causar lesiones.

OPERACIÓN

ANTES DE HACER ARRANCAR EL MOTOR

Cómo preparar el motor



ADVERTENCIA: Use siempre un recipiente de seguridad para el combustible. No fume cuando esté reabasteciendo el motor. No reabastezca dentro de un local cerrado. Apague el motor antes de añadir combustible. Deje enfriar el motor por varios minutos.

Cómo preparar la mezcla de combustible

El motor de dos tiempos que tiene esta cultivadora requiere una mezcla de gasolina y aceite para lubricar los cojinetes y las demás piezas móviles. La proporción indicada para la mezcla es de 24:1 (5.3 onzas de aceite por cada galón de gasolina - consulte la Tabla de mezcla de combustible). Es necesario premezclar la gasolina y el aceite en un contenedor de gasolina limpio. Use siempre gasolina nueva, limpia y sin plomo.

Mezcle la gasolina y el aceite de la manera siguiente:

1. Coloque un (1) cuarto de galón (U.S.) de gasolina para automóvil nueva, limpia y sin plomo, dentro de un contenedor de gasolina con capacidad para un galón.

2. Añada al contenedor de gasolina 5.3 onzas de aceite para motor de dos tiempos asegurándose que el aceite esté limpio y que sea de buena calidad.

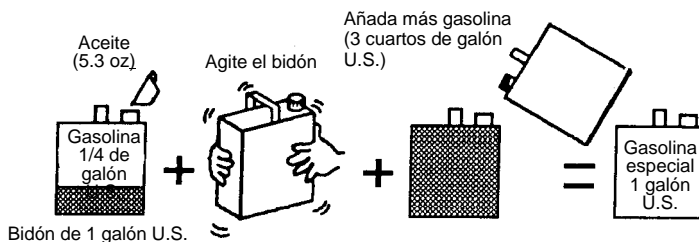
IMPORTANTE: No use aceite de motor fuera de bordo o aceites multiviscosidad como 10W-30 ó 10W-40.

3. Coloque la tapa en el contenedor y agítelo vigorosamente para mezclar la gasolina con el aceite.
4. Añada al contenedor otros tres (3) cuartos de galón (U.S.) de gasolina adicional. Agite nuevamente el contenedor de gasolina.
5. Con esto se completa la preparación de la mezcla de gasolina. Ahora, puede añadirla al tanque de combustible.

TABLA DE MEZCLA DE COMBUSTIBLE
(proporción de 24:1)

U.S.		SI. (métrico)	
GAS.	ACEITE	GAS.	ACEITE
1 galón	5.3 oz.	4 litros	0.167 L
2 galones.	11 oz.	8 litros	0.333 L
5 galones.	27 oz.	20 litros	0.833 L

No llene el tanque de combustible con gasolina sin antes mezclarla con aceite. Agite el bidón de gasolina cada vez que tenga que llenar el tanque de combustible.



OPERACIÓN

CÓMO HACER ARRANCAR EL MOTOR

Antes de hacer arrancar el motor, asegúrese de haber leído y entendido todas las instrucciones dadas en las páginas anteriores.

1. Llene el tanque de combustible hasta llegar a 1/2 pulgada del tope del tubo de llenado. Vuelva a colocar en su sitio la tapa del tanque de combustible de manera que quede segura. Use siempre combustible fresco. Nunca use gasolina que pueda estar rancia debido al almacenamiento prolongado.
2. Mueva el interruptor de ENCENDIDO/APAGADO a la posición ENCENDIDO (Figura 8).
3. Cuando el motor está frío, Mueva el control de cebado a la posición **Cebado completo** (hasta abajo).

NOTA: No trate de cebar un motor caliente o tibio.

4. Coloque la unidad de manera que quede apoyada firmemente sobre los dientes y la barra de profundidad o las ruedas, en un área abierta.
5. Sujete firmemente el mango derecho con su mano izquierda.
6. Sujete la manija de arranque manual con la mano derecha y jálela para hacer arrancar el motor. Repita si es necesario. (A veces es necesario sujetar la palanca de control de aceleración con la mano izquierda, contra la empuñadura.

Tan pronto se encienda el motor, suelte lentamente el control de aceleración. Si lo suelta muy lentamente, a veces la unidad se desplazará hacia adelante).

7. Una vez que el motor arranque, mueva la palanca de control de cebado a la posición de **Cebado medio**. Cuando el motor esté funcionando de manera regular, mueva la palanca de control de cebado a la posición **Cebador apagado**.

NOTA: Si los dientes no dejan de girar cuando se suelta el control de aceleración, ajuste la marcha en vacío del carburador. Consulte "Cómo ajustar el carburador" en la sección de Servicio y Ajustes.

8. Para parar el motor, suelte el control de aceleración y mueva el interruptor de ENCENDIDO / APAGADO a la posición APAGADO.
9. Si el motor se ahoga, saque la bujía y séquela. Consulte "Mantenimiento de la bujía" en la sección de Mantenimiento de este manual. Luego, jale la cuerda de arranque teniendo la palanca del cebador en la posición **Cebador apagado**.



ADVERTENCIA: El silenciador y las áreas que lo rodean se calientan mucho luego de arrancar el motor. No toque estas áreas.

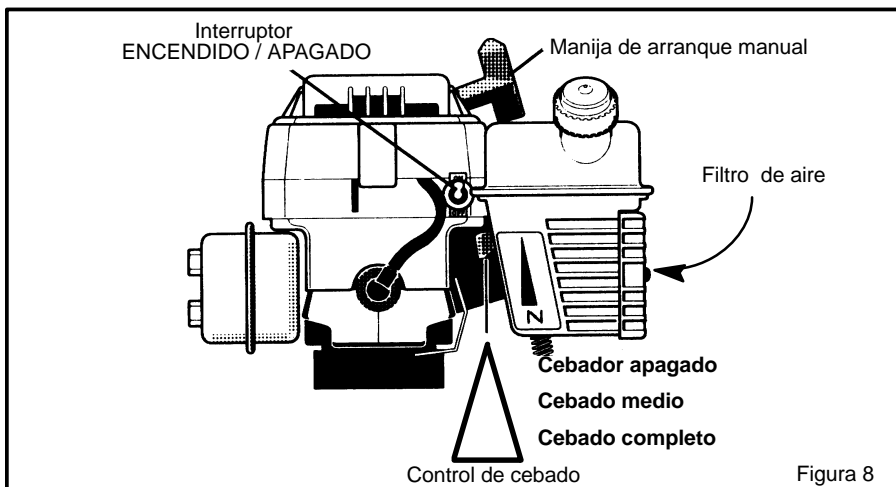


Figura 8

OPERACIÓN

CONSEJOS PARA CULTIVAR

- Arar es cavar, revolver y aflojar la tierra compactada antes de cultivar. La tierra suelta facilita el crecimiento de las raíces. La profundidad ideal de la excavación es de 4 a 6 pulgadas. La cultivadora también despejará la tierra de maleza. La descomposición de esta materia vegetal sirve como abono y enriquece la tierra. Según el clima (lluvia y viento), es aconsejable cultivar la tierra después de la temporada de cosecha para enriquecer aún más el suelo.
- Evite arar tierra muy seca, ya que esto sólo producirá un polvo que no retiene agua. Asimismo, evite arar tierra muy mojada, ya que esto excederá la capacidad de la máquina y producirá terrones / acumulaciones de tierra.
- Conseguirá un mejor crecimiento de sus plantas o vegetales si el área ha sido arada adecuadamente y se usa de inmediato para mantener el contenido de humedad.
- La barra / varilla de profundidad (ubicada en la parte trasera de su cultivadora) sirve dos propósitos. Ayuda a regular la profundidad del corte y también sirve como freno para ayudar al operador a controlar la velocidad de la cultivadora.
- Bajando la barra / varilla hará que la cultivadora avance más lento y que cave a mayor profundidad. Levantar la barra / varilla de profundidad le permitirá avanzar más rápido y excavar la tierra a menor profundidad.

- Si la cultivadora deja de avanzar y trata de cavar más profundo que lo necesario, mueva el mango de lado a lado para iniciar la marcha hacia adelante.
- Cultivar es aflojar o cavar alrededor de las plantas que están creciendo lo cual les ayuda en su crecimiento.
- Cuando use la cultivadora para quitar la maleza, obtendrá mejores resultados al arar a una profundidad no mayor de 1 pulgada y media (1 1/2). Al arar a mayor profundidad sólo conseguirá sacar a la superficie las semillas de maleza que no han germinado. Levantar la barra / varilla de profundidad le permitirá avanzar más rápido y excavar la tierra a menor profundidad.
- Cuando esté arando alrededor de plantas o en áreas muy estrechas, tal vez sea conveniente que quite los dientes externos. Consulte "Reemplazo de los dientes" en la sección de Servicio y Ajustes.



ADVERTENCIA: Lea el Manual del usuario Conozca la ubicación y las funciones de todos los controles. Mantenga todos los dispositivos y guardas de seguridad en su lugar. Nunca permita que niños o adultos no familiarizados con la cultivadora la utilicen. Apague el motor antes de desobstruir los dientes o hacer reparaciones a la unidad. No permita que haya gente cerca cuando opere la máquina. Manténgase alejado de las partes y dientes giratorios. Estos pueden causar lesiones.

SUGERENCIAS PARA AJUSTAR LA BARRA DE PROFUNDIDAD O LAS RUEDAS

Arado liviano (1 ó 2 pulgadas de profundidad) con vegetación de crecimiento moderado

Mueva las ruedas hacia arriba a su posición más alta o a la segunda posición más alta. Asegúrese que los mangos estén a una altura cómoda para operar la cultivadora.

Preparación para el sembrado (de 4 a 6 pulgadas de profundidad)

F-031306L

Use la barra de profundidad. Ajuste la barra de profundidad hacia abajo para un arado más profundo.

Arado pesado (más de 4 pulgadas de profundidad)

Desmunte la barra de profundidad y haga que los dientes se entierren bien moviendo la máquina de atrás para adelante hasta alcanzar una profundidad mínima de 4 pulgadas. Jale lentamente la cultivadora de manera que la tierra se desplace hacia adelante sobre los dientes.

MANTENIMIENTO

RESPONSABILIDADES DEL CLIENTE

REGISTROS DE SERVICIO Añote las fechas a medida que complete cada servicio.	Antes de cada uso	Después de las primeras 2 horas	Cada 25 horas	Cada 75 horas	Antes de guardar	Antes de cada temporada	FECHAS DE SERVICIO
Apretar todos los tornillos y tuercas	✓	✓					
Lubricar el eje de los dientes			✓		✓		
Lubricar la transmisión			✓			✓	
Revisar la bujía			✓		✓		
Limpiar y lubricar el filtro de aire			✓		✓		
Limpiar los orificios de escape del cilindro				✓			
Vaciar el combustible					✓		

ESPECIFICACIONES DEL PRODUCTO

Modelo No.: Ver la placa de identificación

Fecha de compra:

Caballos de fuerza: 2

Cilindrada: 3.0 pulg. cúb.
(49.2 cc.)

Capacidad de gasolina: 20 onzas

Proporción - mezcla de combustible/ aceite: 24:1 Aceite a gasolina
(5.3 onzas de aceite a 1 galón de gasolina) (use gasolina regular sin plomo)

Bujía: Champion
RCJ-8Y

Entrehierro: 0.035 pulgada

RPM de marcha en vacío: 1700-3000

RECOMENDACIONES GENERALES

La garantía de esta cultivadora no cubre piezas que hayan estado sujetas a abuso o negligencia por parte del operador. Para recibir el valor total de la garantía, el operador debe mantener la cultivadora de la manera indicada en este manual.

Para mantener su cultivadora en buen estado, es necesario hacerle algunos ajustes periódicamente.

Todos los ajustes a la unidad indicados en la sección de Servicio y Ajustes de este manual, deben ser realizados por lo menos una vez durante cada temporada.

MANTENIMIENTO

LUBRICACIÓN

Después de cada 25 horas de uso y/o a principios de cada temporada, asegúrese de que la caja de engranajes esté llena con lubricante (Figura 9). Los tubos de lubricante para engranajes se pueden obtener en la mayoría de las tiendas de repuestos para automóviles. Use un engrasador portátil tal como el Lubriplate 630AA (Producto No. 06787, tubo de 1-3/4 onzas) o Lubriplate GR-132 (Producto No. 15892, tubo de 10 onzas).

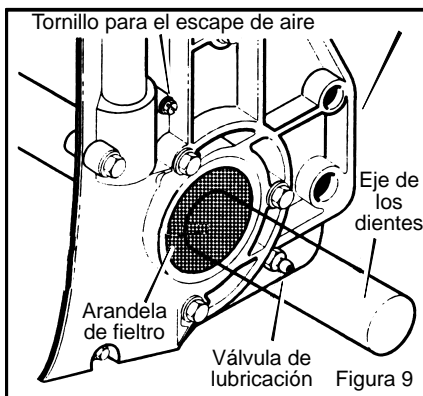
Después de limpiar la unidad y antes de almacenarla, aplique aceite al **eje de los dientes** (Figura 9).



ADVERTENCIA: Deje que la transmisión se enfríe antes de aplicar el lubricante.

1. Desmonte ambos dientes del lado izquierdo. Consulte "Cómo reemplazar los dientes" en la sección de Servicio y Ajustes.
2. Saque el **tornillo del escape de aire** (Figura 9).
3. Coloque la pistola engrasadora en la **boquilla de engrase**. Llene la transmisión hasta que comience a salir grasa por el agujero del tornillo de escape de aire.

4. Vuelva a instalar el **tornillo de escape de aire de aire**.
5. Revise la condición de la **arandela de fieltro** (Figura 9). Reemplace la **arandela de fieltro** si está dañada (consulte la sección de Piezas de Repuesto en este manual).
6. Limpie y lubrique, con unas pocas gotas de aceite, el **eje de los dientes**.
7. Reinstale los dientes del lado izquierdo.
8. Retire los dientes del lado derecho. Revise la **arandela de fieltro** por si estuviera dañada. Limpie y lubrique el **eje de los dientes**. Reinstale los dientes del lado derecho.

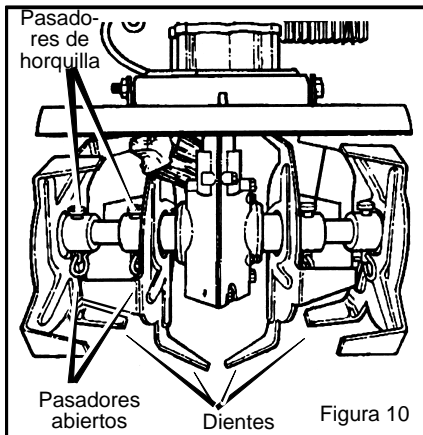


CÓMO LIMPIAR LOS DIENTES

Siempre limpie la suciedad y desechos que se acumulan en la cultivadora después de cada uso. Quite cualquier cordel, alambre o maleza que se encuentre atascada en el mecanismo y detenga la rotación de los dientes.

1. Suelte el control de aceleración y mueva el interruptor a la posición APAGADO. Desconecte el cable de la bujía.
2. Usando guantes de protección, retire los **pasadores abiertos** y los **pasadores de horquilla** que sujetan los dientes al eje (Figura 10). Retire los dientes del eje.
3. Retire cualquier desecho que se encuentre atascado en el eje y en los dientes. Limpie y lubrique, con unas pocas gotas de aceite, el eje de los dientes.

4. Vuelva a montar los dientes en el eje y sujételos con un pasador de horquilla y pasador abierto.
5. Conecte el cable de la bujía.



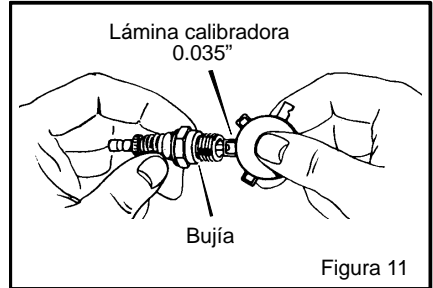
MANTENIMIENTO

BUJÍA

Revise la **bujía** cada 25 horas. Reemplace la **bujía** si los electrodos están dañados o quemados o si la porcelana está agrietada.

1. Compruebe que la **bujía** está limpia. Limpie la **bujía** raspando con cuidado los electrodos (no use chorro de arena ni cepillo de alambre para limpiarla).
2. Revise el entrehierro de la **bujía** usando una **lámina calibradora**. Consulte la sección "Especificaciones del Producto" para informarse de la medida correcta para el entrehierro de la **bujía** y sobre el tipo de **bujía** de repuesto.
3. Antes de instalar la **bujía**, aplique una capa ligera de aceite a la parte roscada

para facilitar su remoción. Apriete la **bujía** hasta lograr un par de apriete de 15 libras-pie.



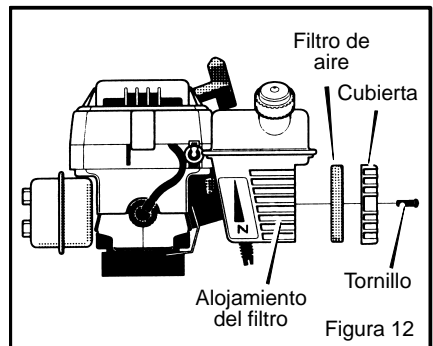
CÓMO LIMPIAR EL FILTRO DE AIRE

El motor usa un filtro de aire hecho de gomaespuma que se puede limpiar y volver a usar. Limpie y lubrique el filtro de aire cada 25 horas de uso. Limpíelo más a menudo en condiciones de mucho polvo. Quite y limpie el filtro de aire de la forma siguiente:

PRECAUCIÓN: Nunca ponga el motor en marcha sin que tenga el filtro de aire instalado. Un filtro de aire obstruido con polvo puede reducir el rendimiento del motor y causar desgaste o daño extensivo a éste. Si el filtro de aire está tapado, límpielo o reemplácelos inmediatamente.

1. Desconecte el cable de la bujía.
2. Quite los **tornillos** de la **cubierta del filtro de aire** (ver Figura 12). Retire la **cubierta del filtro de aire** y el **filtro de aire**.
3. Limpie la **cubierta** y la parte interior del **alojamiento del filtro de aire** con un paño limpio.
4. Lave el **filtro de aire** en una solución de agua y detergente de uso casero. Enjuague muy bien con agua limpia.
5. Envuelva el **filtro de aire** en un paño limpio y seco. Estruje (sin retorcer) toda la solución hasta que se seque.

6. Cubra la parte de afuera del **filtro de aire** con aceite. Use el mismo tipo de aceite que se usa para hacer la mezcla de combustible. Apriete ligeramente el **filtro de aire** para distribuir y sacar cualquier exceso de aceite.
7. Coloque **filtro de aire** limpio en el **alojamiento del filtro**.
8. Instale la **cubierta del filtro de aire** y sujétela con los **tornillos** como se muestra.
9. Conecte el cable de la bujía.



SALIDAS DE ESCAPE DEL CILINDRO

Limpie las salidas de escape del cilindro después de cada 75 horas de operación. Se recomienda llevar la unidad a un Centro de Servicio Autorizado para realizar este procedimiento.

SERVICIO Y AJUSTE

CÓMO DESMONTAR Y MONTAR LOS DIENTES

Cuando se indica el lado izquierdo o derecho de la cultivadora en este manual, siempre se refiere al punto de vista del operador en su posición detrás de la unidad.

Los cuatro dientes son diferentes y no se pueden intercambiar. Los dientes deben ser instalados correctamente o la cultivadora no funcionará bien.

Para cultivar en espacios estrechos o alrededor de las plantas, se pueden desmontar los dientes de ambos extremos reduciendo la anchura de cultivo a 18 centímetros (7 pulgadas), aproximadamente.

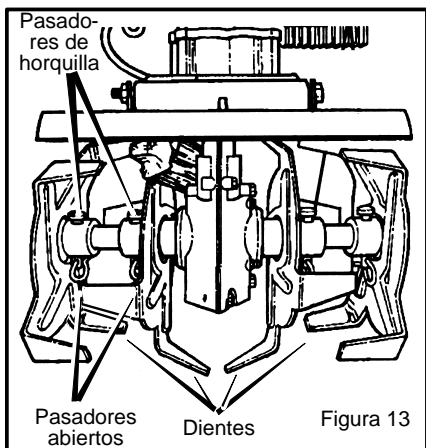


ADVERTENCIA: Los dientes se afilan solos y el uso los hará aún más afilados, por lo tanto deben manipularse con cuidado.

Los dientes se desgastarán de manera uniforme. En caso de que se tengan que reemplazar debido al desgaste, se recomienda reemplazar las cuatro unidades de dientes al mismo tiempo. Siga los pasos siguientes para reemplazar los dientes:

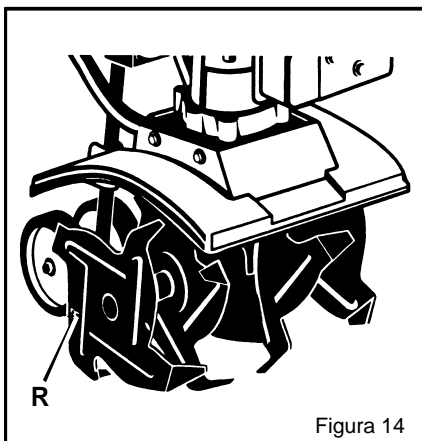
Desmontaje de los dientes

1. Coloque el interruptor en la posición APAGADO.
2. Desconecte el cable de la bujía.
3. Usando guantes de protección, retire los **pasadores abiertos** y los **pasadores de horquilla** que sujetan las unidades de dientes al eje (Figura 13). Desmonte los **dientes** de un lado de la unidad.



Instalación de los dientes

1. Limpie y lubrique, con unas pocas gotas de aceite, el eje de los dientes.
2. Monte el diente interno en el eje y vuelva a instalar el **pasador de horquilla** y el **pasador abierto**.
3. Cuando los dientes se instalan correctamente, se verá la letra **R** en el lado exterior del **diente derecho** (Figura 14). La letra **L** aparecerá en el lado exterior del diente izquierdo.



4. Monte el diente externo en el eje y sujételo con el **pasador de horquilla** y el **pasador abierto** (Figura 13).
5. Los bordes cortantes en el lado exterior de los dientes externos están orientados hacia el diente interno. Cuando los dientes se instalan correctamente, se ve la letra **R** en el lado derecho, o la letra **L** en el lado izquierdo, mirando de la parte de afuera de la unidad.
6. Repita los pasos anteriores en el otro lado de la unidad.

NOTA: Asegúrese de instalar los dientes en los lados correctos en la unidad.

SERVICIO Y AJUSTE

CÓMO AJUSTAR EL CARBURADOR

Un filtro de aire tapado impedirá el buen funcionamiento del motor o provocará la generación excesiva de humo. Asegúrese de que el filtro de aire esté limpio antes de ajustar el carburador. Nunca haga ajustes innecesarios al carburador, éste ha sido calibrado en la fábrica para funcionar de manera óptima en la mayoría de las condiciones de uso. No obstante, si es necesario ajustarlo, se recomienda comunicarse con el Centro de Servicio de Sears más cercano a usted. Si está suficientemente capacitado como para hacer ajustes al carburador, siga los pasos a continuación.



ADVERTENCIA: Tenga **muchísimo cuidado al hacer ajustes que requieren que el motor esté en marcha. Mantenga las manos, los pies y el cabello suelto alejado de todas las partes móviles.**

1. Gire el **tornillo de ajuste de la mezcla** hacia la derecha hasta que cierre (ver Figura 15).

IMPORTANTE: Para evitar daño al carburador o al tornillo de ajuste, use los dedos para apretar los tornillos de ajuste.

2. Gire el **tornillo de ajuste de la mezcla** una vuelta hacia la izquierda.
3. Arranque el motor y déjelo calentar entre 3 y 5 minutos. No se debe ajustar el carburador con el motor frío.
4. Si nota que la marcha del motor es irregular, o si éste se apaga al colocar la palanca del cebador en la posición de apagado, gire el **tornillo de ajuste de la mezcla** 1/8 de vuelta adicional hacia la izquierda.
5. Con el motor en marcha, suelte el control de aceleración (marcha en vacío) para hacer los ajustes de la mezcla.
6. Gire lentamente el **tornillo de ajuste de la mezcla** hacia la derecha hasta que el motor empiece a correr de forma irregular. Fíjese en esta posición.
7. Luego, gire lentamente el tornillo de ajuste de la mezcla hacia la izquierda hasta que el motor empiece a correr nuevamente de manera irregular. Fíjese en esta posición.

8. Gire el tornillo de ajuste de la mezcla hacia la derecha hasta que se encuentre entre la primera y la segunda posición.
9. Revise la velocidad de marcha en vacío. Arranque el motor y desenganche el control de aceleración. Arranque el motor y desenganche el control del acelerador. La velocidad de marcha en vacío está correcta si los dientes no giran cuando se suelta el control de aceleración. Si los dientes giran cuando el control de aceleración se suelta, ajuste la marcha en vacío de motor, de la manera indicada a continuación.
10. Pida a alguien que incline la cultivadora hacia atrás sobre la barra de profundidad para que los dientes no toquen el suelo.
11. Arranque el motor.
12. Con el control de aceleración en la posición desenganchada (marcha en vacío), gire el **tornillo de ajuste de marcha en vacío** hacia la izquierda hasta que los dientes dejen de girar.



ADVERTENCIA: El regulador del motor viene ajustado de la fábrica. No cambie el ajuste del regulador. Hacer funcionar el motor a una velocidad excesiva puede ser peligroso. Si piensa que el regulador del motor requiere un ajuste, comuníquese con el Centro de Servicio Autorizado más cercano a usted.

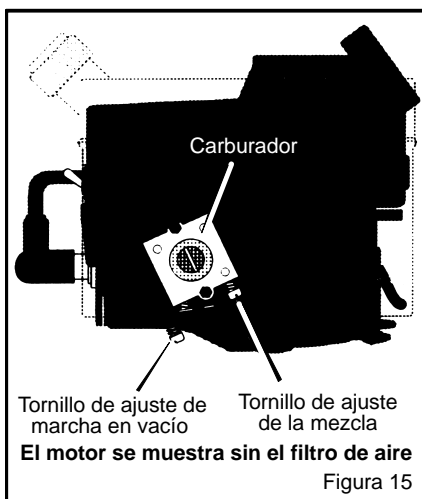


Figura 15

SERVICIO Y AJUSTE

ALMACENAMIENTO



ADVERTENCIA: Nunca guarde la cultivadora con combustible en el tanque dentro de un recinto cerrado. Nunca la guarde en un área cerrada y con poca ventilación, donde los vapores del combustible puedan alcanzar una llama expuesta, chispas o el piloto de un sistema de calefacción, calentador de agua o secadora de ropa.



ADVERTENCIA: No vacíe el tanque de combustible dentro de un recinto cerrado, cerca de fuego o de alguna llama expuesta, o mientras está fumando. Los vapores de la gasolina pueden causar una explosión o un incendio.

Cuando sea necesario guardar la cultivadora por treinta días o más, siga los pasos indicados a continuación para asegurar que la cultivadora esté en buenas condiciones de uso para la próxima temporada.

Cultivadora

- Limpie completamente la cultivadora.
- Desmonte los dientes. Limpie y lubrique los ejes de los dientes. Monte los dientes en los ejes respectivos. Consulte "Cómo desmontar y montar los dientes" en la sección de Servicio y Ajustes.
- Afloje las perillas que sujetan el mango superior al mango inferior. Doble con cuidado el mango superior. Asegúrese de no doblar el cable de aceleración. Apriete las perillas.
- El travesaño del mango superior (entre los mangos inferiores) puede usarse como un asa de transporte. También puede usarlo para colgar la cultivadora en un gancho de la pared.
- La cultivadora debe almacenarse en un lugar que disponga de buena ventilación.

- Proteja la cultivadora con una cubierta apropiada que no retenga humedad. No use cubiertas de plástico.

IMPORTANTE: Nunca cubra la cultivadora mientras el motor y las áreas de escape estén todavía calientes.

NOTA: Una revisión o afinado anual, hecho en un Centro de Servicio Autorizado, es una buena manera de asegurar que su cultivadora le brindará un rendimiento óptimo la próxima temporada.

Motor

IMPORTANTE: Es importante evitar que se formen residuos de gomoresina en los componentes del sistema de combustible tales como el carburador, el filtro del combustible, la línea y el tanque de combustible durante el almacenamiento de la unidad. Además, el uso de combustibles mezclados con alcohol (llamados gasohol, etanol o metanol) puede atraer humedad, lo cual lleva a la separación de ácidos durante el almacenamiento. Los gases ácidos que se forman pueden dañar el sistema de combustible del motor durante el almacenamiento.

Para prevenir el daño al motor cuando la cultivadora se guarde por 30 días o más, siga los pasos siguientes:

- Deje el motor en marcha hasta que se le termine la gasolina.
- Jale lentamente la manija de arranque manual hasta que sienta resistencia por la compresión en el cilindro, entonces deténgase.
- Suelte lentamente la cuerda de arranque manual. En esta posición se cierran las válvulas de entrada y salida, ayudando a evitar la corrosión del pistón y del cilindro.

TABLA DE LOCALIZACION DE AVERIAS

PROBLEMA	CAUSA	SOLUCIÓN
El motor arranca con dificultad	Combustible viejo	Vacíe el tanque de combustible. Llénelo con una mezcla fresca de combustible.
	Demasiado aceite en la mezcla de combustible	Revise la tabla de mezcla de combustible y mezcle más combustible fresco.
El motor marcha de forma irregular	Suciedad en el tanque o falta de combustible	Limpie el tanque de combustible.
	Carburador desajustado	Consulte la sección sobre ajuste del carburador.
El motor no corre a toda marcha	Bujía sucia	Limpie y calibre el entrehierro de la bujía.
	Filtro de aire sucio	Limpie y lubrique el filtro de aire.
El motor tiene dificultad para acelerar	Suciedad que interfiere con el paso de gases del regulador	Limpie el polvo y suciedad de la parte superior del carburador.
El motor genera humo excesivo	Filtro de aire obstruido	Limpie y lubrique el filtro de aire.
	Demasiado aceite en la mezcla de combustible	Revise la tabla de mezcla de combustible y mezcle más combustible fresco.
Los dientes continúan girando al desenganchar el control de aceleración	Carburador desajustado	Ajuste la marcha en vacío del carburador. Consulte "Cómo ajustar el carburador" en la sección de Mantenimiento.
Los dientes no giran	Los dientes están obstruidos con suciedad	Quite la suciedad. Consulte "Cómo limpiar los dientes" en la sección de Mantenimiento.
La unidad no cultiva correctamente	Montaje incorrecto de los dientes	Compruebe que los dientes estén instalados correctamente. Consulte "Cómo quitar y montar los dientes" en la sección de Servicio y Ajustes.

NOTA

CÓMO HACER UN PEDIDO DE PIEZAS DE REPUESTO

Use solamente piezas de repuesto de fábrica. Las piezas de repuesto, con excepción del motor o la transmisión, se encuentran disponibles en la tienda donde se compró la unidad, en un taller recomendado por la tienda o en un centro de servicio autorizado que se encuentre listado en las páginas amarillas del guía de teléfonos. Si no puede conseguir un repuesto o servicio de la forma que se indica anteriormente, llame o escriba al Distribuidor Central de Repuestos que aparece más abajo. Cuando haga el pedido, incluya la información siguiente: (1) Número de Modelo Completo (se encuentra en la placa de identificación), (2) Fecha de Fabricación, (3) Número de Pieza Completo, (4) Descripción, (5) Cantidad.

Las piezas de repuesto para el motor o la transmisión se encuentran disponibles por medio del centro de servicio autorizado por el fabricante cuya información puede conseguir en las páginas amarillas del guía de teléfonos. Consulte las garantías individuales para el motor o transmisión.

MURRAY, INC. - DISTRIBUIDORES CENTRALES DE REPUESTOS - CORTACÉSPED

BILLIOU'S, INC.

1343 South Main St.
Porterville, CA. 93257
(559)784-4102 1-877-245-5468
FAX 1-800-266-7337
Arizona, California, Hawaii, Nevada

BROWN & WISER, INC.

9991 S.W. Avery Street
Tualatin, OR. 97062
(503)692-0330 1-800-882-4782
FAX (503)691-2041
Alaska, Idaho (condados: Ada, Adams, Benewah, Boise, Bonner, Boudry, Canyon, Clearwater, Elmore, Gem, Idaho, Kooten, Latah, Lewis, NEZ Perce, Owyee, Payette, Ravalli, Shoshone, Valley, Washington), **Montana** (condados: Flathead, Lake, Lincoln, Mineral, Missoulo, Ravalli, Sanders), **Oregon, Washington**

CPT CANADA POWER TECHNOLOGY LIMITED

Mississauga
161 Watline Avenue
Mississauga, Ontario
L4Z-1P2
(905)890-6900 1-800-861-9559

Edmonton

101-10411-178 Street
Edmonton, Alberta
T5S 1R5
(780)453-5791 1-800-861-9559

Ville St-Laurent

234 Migneron Street
Ville St-Laurent, Quebec
H4T 1Y7
(514)731-3559 1-800-861-9559
Canadá
F-031306L

FRANK EDWARDS CO.

3626 Parkway Blvd.
West Valley City, UT 84120
1-800-318-0201
FAX (801)736-8067
Colorado, Idaho (condados: Bannock Bearlake, Bingham, Blaine, Booneville, Butte, Camas, Caribou, Cassia, Custer, Franklin, Fremont, Gooding, Jefferson, Jerome, Lemhi, Lincoln, Madison, Minidoka, Oneida, Power, Teton, Twin Falls) **Montana** (excepto condados Flathead, Lake, Lincoln, Mineral, Missoulo, Ravalli, Sanders), **Utah, Wyoming**

GARDNER, INC.

1150 Chesapeake Ave.
Columbus, OH. 43212
1-800-848-8946
FAX (614)486-7122
Alabama, Arkansas (excepto condados: Hempstead, Howard, Lafayette, Little River, Miller, Nevada, Pike, Sevier), **Connecticut, Delaware, District of Columbia, Florida, Georgia, Illinois** (al sur del Hwy. 80), **Indiana, Iowa, Kansas, Kentucky, Louisiana, Maine, Maryland, Massachusetts, Michigan** (excepto upper Peninsula), **Mississippi, Missouri, Nebraska, New Hampshire, New Jersey, New York, North Carolina, Ohio, Pennsylvania, Rhode Island, South Carolina, Tennessee, Vermont, Virginia, West Virginia**

Puerto Rico

GULF COAST ENGINE, INC.

4202 Russell Dr.
Corpus Christi, TX. 78408
1-800-825-6999
FAX (888)888-7036
Arkansas (condados: Hempstead, Howard, Lafayette, Little River, Miller, Nevada, Pike, Sevier), **Nuevo México, Oklahoma, Texas, México**

WISCONSIN MAGNETO

4727 N. Teutonia Ave.
Milwaukee, WI. 53209
1-800-733-7388
FAX 1-800-733-0127
Illinois (al norte del Hwy. 80), **Michigan** (upper Peninsula), **Minnesota, North Dakota, South Dakota, Wisconsin**