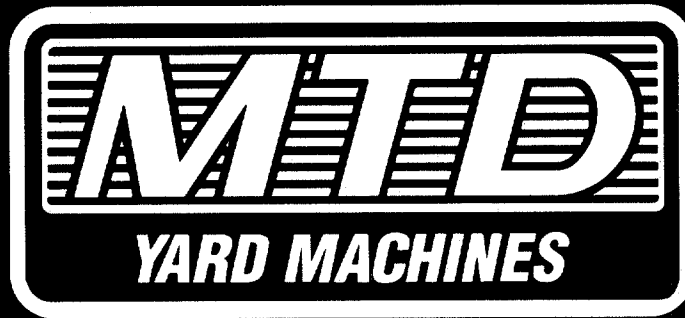


ILLUSTRATED PARTS

AMERICAN  AMERICAN
M A D E O W N E D
OUTDOOR POWER EQUIPMENT

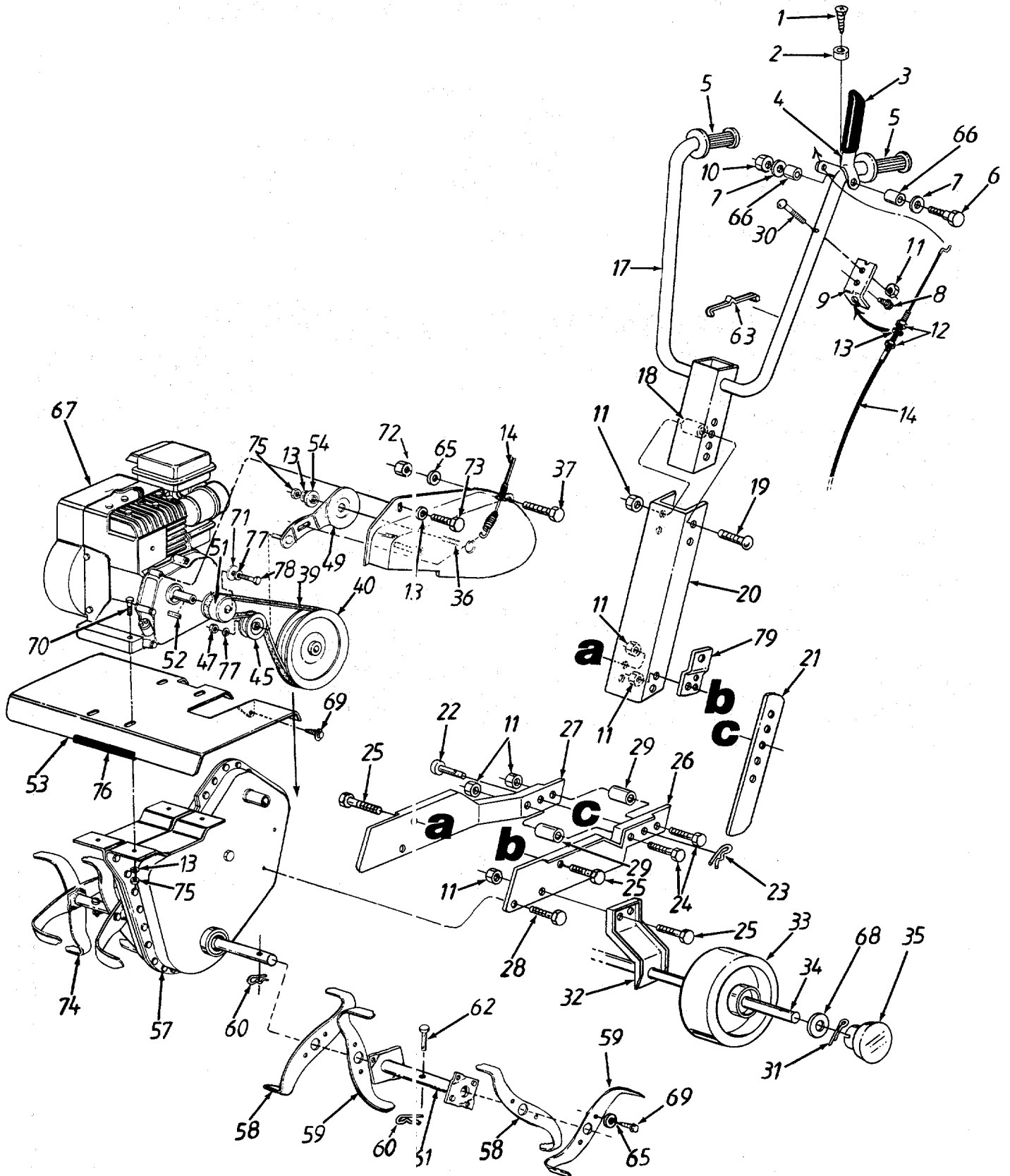


1995

FRONT TINE TILLERS

Model Number	Pages
215-035-000.....	2 - 4
215-340-000.....	6 - 9
215-390-000.....	10 - 13

Model 035

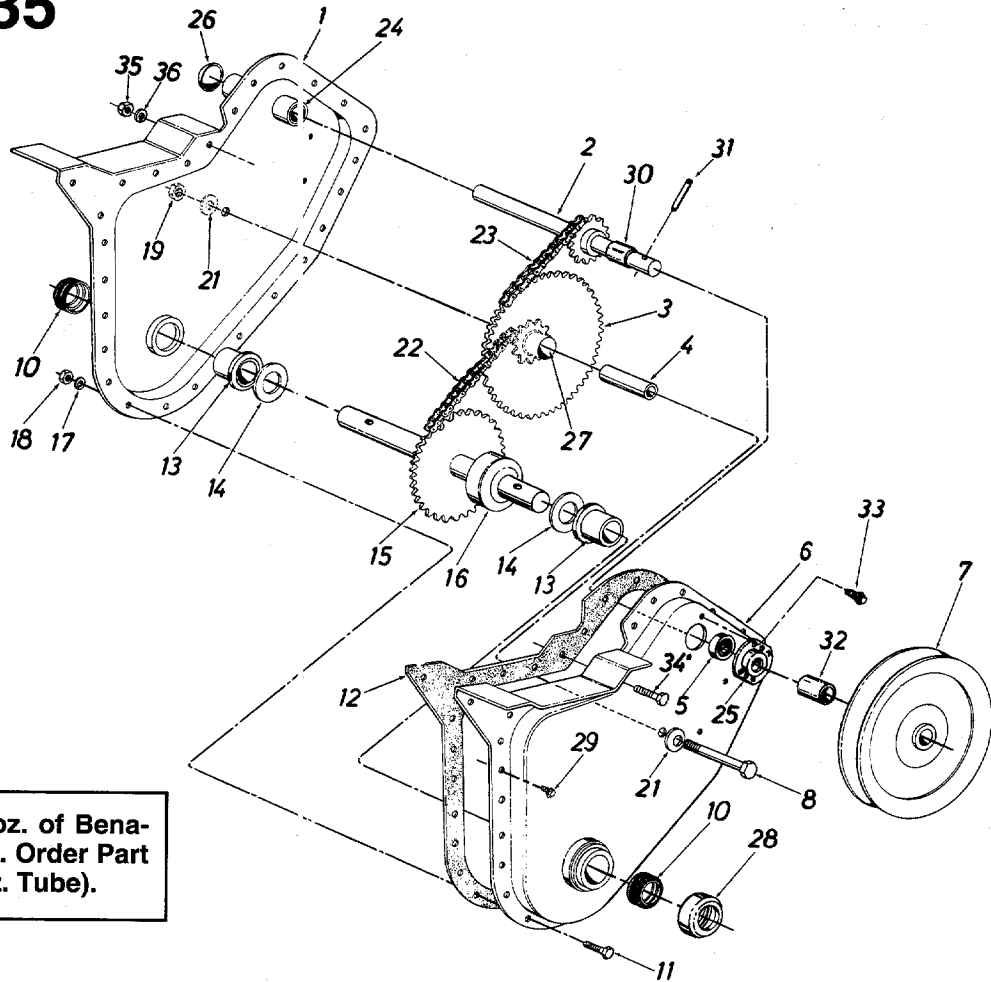


Model 035

PARTS LIST FOR MODEL 035 TILLER

REF. NO.	PART NO.	CODE	DESCRIPTION	REF. NO.	PART NO.	CODE	DESCRIPTION
1	710-1167		Tap Scr. #10-16 x 1/2" Lg.	36	686-0021		Belt Cover
2	720-0263		Rubber Bumper	37	710-0258		Hex Bolt 1/4-20 x 5/8" Lg.*
3	731-0473		Vinyl Grip	39	754-0216		V-Belt
4	686-0002		Clutch Lever Ass'y.	40	756-0287		Pulley—Chain Case
5	720-0233		Handle Grip	45	756-0199		Flat Idler Pulley
6	710-0501		Hex Bolt 1/4-20 x 2" Lg.*	47	712-0116		Hex Jam L-Nut 3/8-24 Thd.
7	736-3090		FI-Wash. 1/4" I.D.	49	784-0016		Idler Arm Ass'y.
8	710-1201		Hex Tap Scr. 1/4-20 x 1/2" Lg.	51	756-0286		Engine Pulley
9	15093C		Cable Bracket	52	714-0122		Square Key 3/16" x .75" Lg.
10	712-0324		Lock Nut 1/4-20 Thd.	53	04765		Tine Shield
11	712-0429		Lock Nut 5/16-18 Thd.	54	736-0289		Washer—Bushing
12	712-0256		Hex Jam Nut 5/16-24 Thd.	57	686-0022		Chain Case Ass'y. Comp.
13	736-0119		L-Wash. 5/16" I.D.*	58	04922		R.H. Tine Blade
14	746-0509		Clutch Control Cable	59	04923		L.H. Tine Blade
17	649-0153		Handle Ass'y.	60	714-0149B		Hairpin Cotter
18	750-0848		Spacer	61	04918		Adapter Ass'y.—Tine
19	710-0572		Carr. Bolt 5/16-18 x 2-1/2" Lg.	62	711-0702		Clevis Pin
20	786-0013		Handle Channel—Frame	63	726-0306		Cable Tie—Plastic
21	04764		Depth Stake	65	736-0329		L-Wash. 1/4" I.D.*
22	711-0653		Clevis Pin	66	750-0846		Spacer
23	714-0145		Hairpin Cotter	67	—		Engine
24	710-0376		Hex Bolt 5/16-18 x 1" Lg.*	68	736-0185		FI-Wash. 3/8" I.D.
25	710-0759		Hex Bolt 5/16-18 x 5/8" Lg.*	69	710-0599		Tap Scr. 1/4-20 x 1/2" Lg.
26	786-0011		L.H. Frame Half	70	710-0442		Hex Bolt 5/16-18 x 1-1/2" Lg.*
27	786-0010		R.H. Frame Half	71	736-0258		FI-Wash. 3/8" I.D. x 1" O.D.
28	710-0607		Hex Tap. Scr. 5/16-18 x 1/2" Lg.	72	712-0287		Hex Nut 1/4-20 Thd.*
29	750-0845		Spacer	73	710-0107		Hex Bolt 5/16-24 x .5" Lg.
30	710-1090		Hex Bolt 5/16-18 x 1-1/4" Lg.	74	04921		Tine Blade Ass'y. Comp.
31	714-3017		Cotter Pin	75	712-0267		Hex Nut 5/16-18 Thd.*
32	786-0012		Wheel Bracket	76	731-0511-12		Trim Strip
33	634-0013		Wheel—6"	77	736-0169		L-Wash. 3/8" I.D.*
34	738-0855		Axle—Wheel	78	710-0152		Hex Bolt 3/8-24 x 1" Lg.
35	720-0258		Hub Cap	79	786-0046		Belt Cover Bracket

Model 035



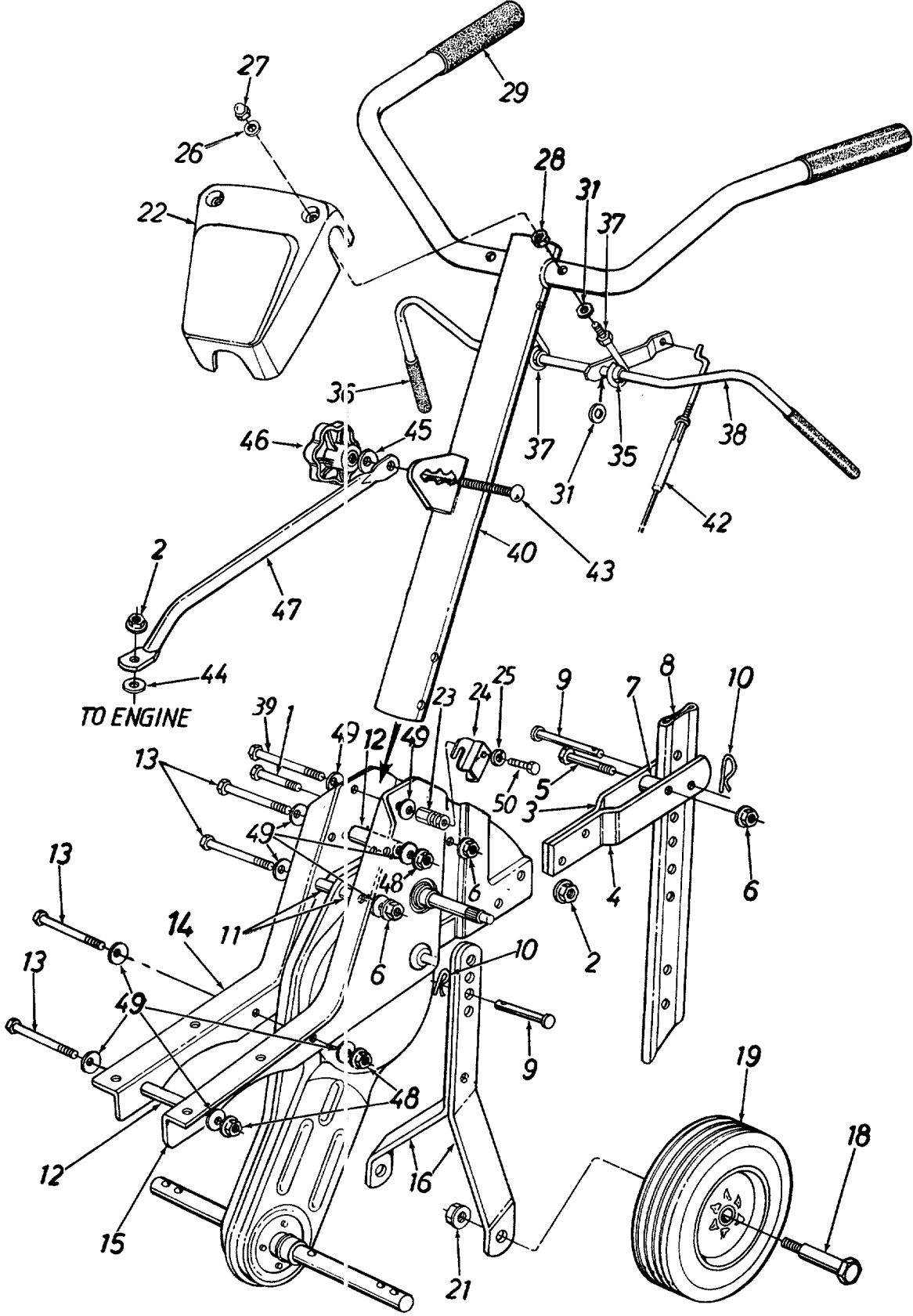
Lubricate with 10 oz. of Bena-lene #372-0 Grease. Order Part No. 737-0223 (10 oz. Tube).

PARTS LIST FOR MODEL 035 TILLER

REF. NO.	PART NO.	CODE	DESCRIPTION	REF. NO.	PART NO.	CODE	DESCRIPTION
1	686-0024		Chain Case Ass'y.—R.H.	23	713-0216		Chain #35 .375" Pitch 50 Links
2	04756		Input Shaft Ass'y.		713-0139		#35 Master Link
3	04757		Hub and Sprocket Ass'y.	24	748-0154		Bearing .62" I.D. x .813"
4	750-0351		Bearing Inner Race	25	05034A		Bearing Housing
5	741-0155		Ball Bearing	26	726-0164		Expansion Plug 13/16" Dia.
6	686-0023		Chain Case Ass'y.—L.H.	27	741-0228		Bearing
7	756-0287		Pulley—Chain Case††	28	731-0486		Dust Cap††
8	710-0369		Hex Bolt 3/8-24 x 2.5"*	29	710-0599		Hex Wash. Hd. Self-Tap Scr. 1/4-20 x .50" Lg.*
10	721-0157		Seal††	30	750-0471		Spacer .63" I.D. x .77" O.D. x .38" Lg.
11	710-0195		Hex Bolt 1/4-28 x .625"*	31	715-0114		Spring Pin Spiral 1/4" Dia. x 1-1/2" Lg.††
12	721-0156A		Gasket	32	750-0550		Spacer .647 x 1.25"††
13	741-0227		Flange Brg. .879" I.D.	33	710-0653		Hex Wash. Hd. Self-Tap Scr. 1/4-20 x .38" Lg.*
14	736-0265		Fl-Wash. .88" I.D. x 1.5"	34	710-0118		Hex Bolt 5/16-18 x .75" Lg.*
15	04920		Tine Shaft Ass'y.	35	712-0267		Hex Nut 5/16-18 Thd.*
16	750-0354A		Spacer 7/8" I.D.	36	736-0119		L-Wash. 5/16" I.D.*
17	736-0329		L-Wash. 1/4" I.D.*	—	686-0022		Chain Case Ass'y. Comp.
18	712-0138		Hex Nut 1/4-28 Thd.*				
19	712-0116		Hex Ins. L-Nut 3/8-24 Thd.				
21	736-0219		Bell-Wash. .406" I.D.				
22	713-0215		Chain #420 1/2" Pitch 38 Links				
	713-0154		#420 Master Link				

††Not part of chain case assembly.

Model 340



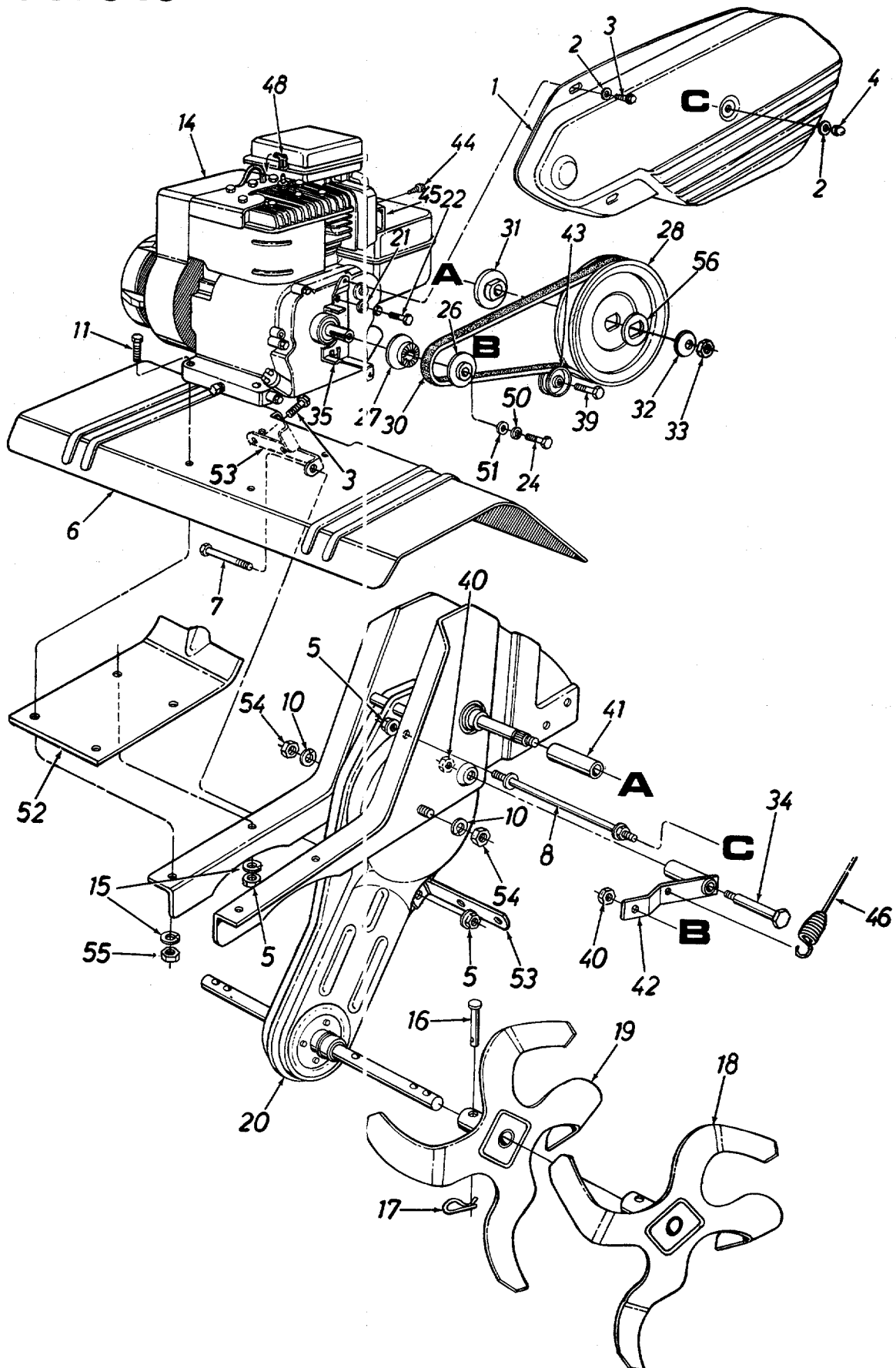
Model 340

PARTS LIST FOR MODEL 340 TILLER

REF. NO.	PART NO.	CODE	DESCRIPTION	REF. NO.	PART NO.	CODE	DESCRIPTION
1	710-0874		Hex Bolt 5/16-18 x 1.25" Lg.	24	786-0129	N	Cable Guide Brkt.
2	712-3004A		Hex Flange L-Nut 5/16-18 Thd. (Gr. 5)	25	736-0119		L-Wash. 5/16" I.D.*
3	786-0004		Tail Piece Brkt. (R.H.)	26	736-3020		Fl-Wash. .266" I.D. x .625" O.D.
4	786-0003		Tail Piece Brkt. (L.H.)	27	712-0392		Hex L-Stop Nut 1/4-28 Thd.
5	710-0442		Hex Bolt 5/16-18 x 1.5" Lg.	28	712-0138		Hex Nut 1/4-28 Thd.
6	712-3004A		Hex Flange L-Nut 5/16-18 Thd. (Gr. 5)	29	720-0268		Grip—Handle
7	750-0890		Spacer .32" I.D. x .75" O.D.	31	736-0140		Fl-Wash. .385" I.D. x .62" O.D.
8	786-0005		Depth Bar	35	741-0475		Plastic Bushing .38" I.D.
9	711-0599		Clevis Pin .375" I.D. x 1.75" Lg.	36	720-0269		Grip—Clutch
10	714-0149B		Internal Cotter Pin	37	747-0815		Clutch Handle Eye Bolt
11	750-0470		Spacer .326" I.D. x .47" O.D.	38	686-0008		Clutch Handle Ass'y.
12	750-0885		Spacer .322" I.D. x .44" O.D.	39	710-0189		Hex Bolt 5/16-18 x 3" Lg.
13	710-0176		Hex Bolt 5/16-18 x 2.75" Lg.	40	649-0001		Longhorn Handle Ass'y.
14	786-0028		Frame—R.H.	42	746-0918	N	Clutch Control Cable
15	786-0029		Frame—L.H.	43	710-1236		Carr. Bolt 5/16-18 x 1" Lg. (Special)
16	686-0025		Wheel Hanger Brkt. Ass'y.	44	736-0123		Fl-Wash. .344" I.D. x 1.12" O.D.
18	738-0213		Shld. Bolt .498" Dia. x 1.45" Lg.	45	736-0242		Bell-Wash. .345" I.D. x .88" O.D.
19	734-1781		Wheel Ass'y.	46	720-0195		Hand Knob
20	710-3094		Hex Bolt 3/8-16 x 1" Lg. (Gr. 8)	47	749-0915		Engine Tubing Brace
21	712-3005		Hex Flange L-Nut 3/8-16 Thd. (Gr. 5)	48	712-0429		Hex L-Nut 5/16-18 Thd.
22	731-1599		Handle Cover	49	736-0242		Bell-Wash. .345" I.D. x .88" O.D.
23	711-1036	N	Spec. Hex Nut	50	710-3008		Hex Bolt 5/16-18 x .75" Lg. (Gr. 5)

*For faster service obtain standard nuts, bolts and washers locally.
If these items cannot be obtained locally, order by part number
and size as shown on parts list.

Model 340



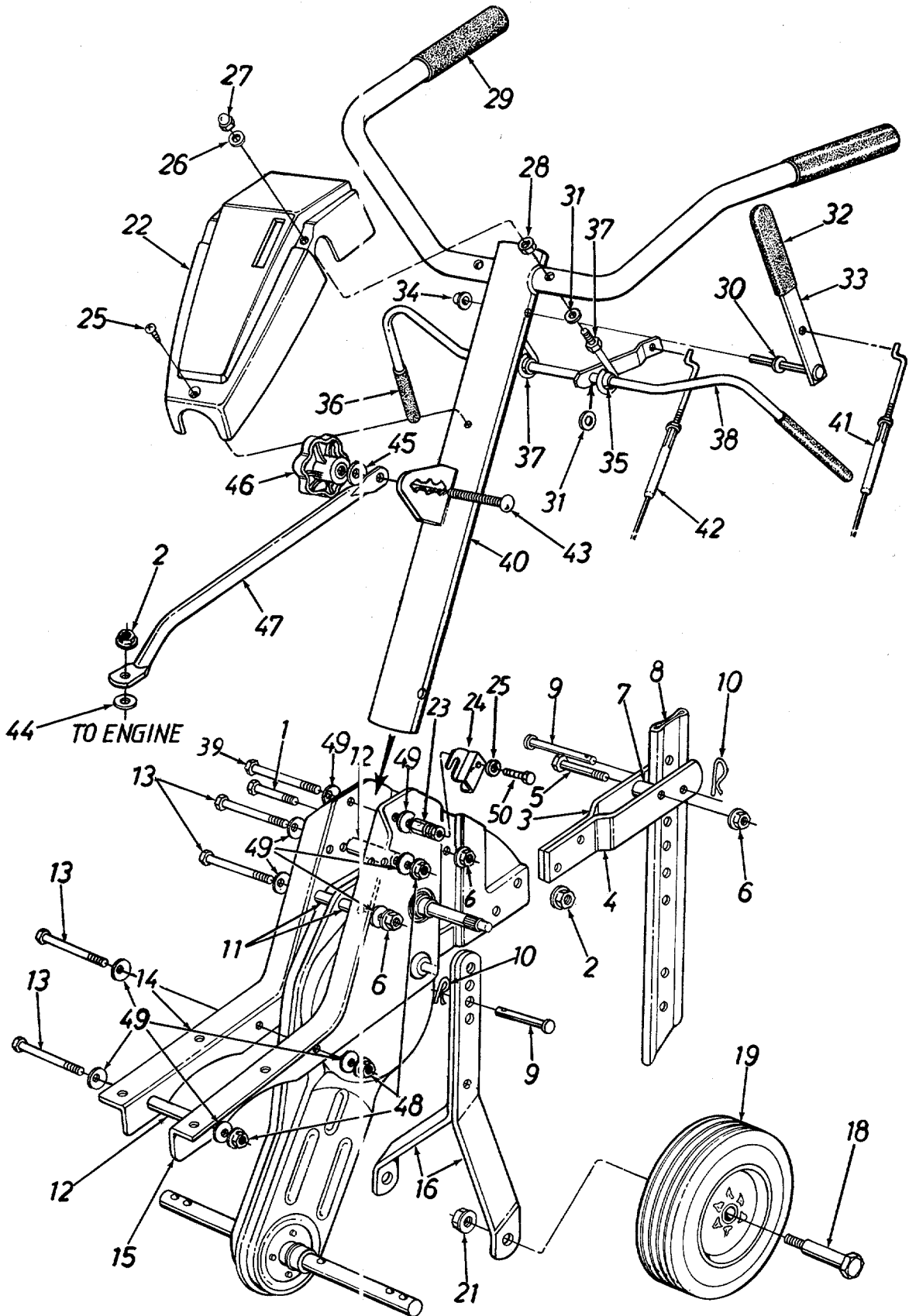
Model 340

PARTS LIST FOR MODEL 340 TILLER

REF. NO.	PART NO.	CODE	DESCRIPTION	REF. NO.	PART NO.	CODE	DESCRIPTION
1	786-0036		Belt Cover	26	756-0972		Outer Engine Pulley Half
2	736-3020		Fl-Wash. .266" I.D. x .625" O.D.	27	756-0971		Inner Engine Pulley Half
3	710-0599		Hex Wash. Hd. TT-Tap Scr. 1/4-20 x .5" Lg.	28	756-0585		FI-Pulley 6" Dia.
4	712-0392		Hex L-Stop Nut 1/4-28 Thd.	30	754-0428		"V"-Belt
5	712-3004A		Hex Flange Top L-Nut 5/16-18 Thd. (Gr. 5)	31	748-0350		Pulley Mounting Adapter
6	786-0035		Tine Shield	32	736-0112		Bell-Wash. .535" I.D. x 1.5" O.D.
7	710-0118		Hex Bolt 5/16-18 x .75" Lg.*	33	712-3029		Hex Jam Nut 1/2-20 Thd. (Gr. 5)
8	711-0919		Belt Cover Bolt	34	738-0102		Shld. Bolt .498" Dia. x 1.45" Lg.
10	736-0171		L-Wash. 7/16" I.D.	35	786-0039		Belt Cover Brkt.
11	710-0380		Hex Bolt 5/16-18 x 1.75" Lg.	38	756-0313		FI-Idler 2.12" O.D.
14	—		Engine	39	710-0723		Hex Cap Bolt 3/8-16 x 1.25" Lg.
15	736-0170		Spec. L-Nut 5/16" I.D.	40	712-0266		Hex Cent. Jam Nut 3/8-16 Thd.
16	711-0599		Clevis Pin .375" Dia. x 1.75" Lg.	41	750-0892		Spacer .64" I.D. x 2.4" Lg.
17	714-0149B		Internal Cotter Pin	42	686-0011		Tine Idler Brkt. Ass'y.
18	642-0005		Outer Tine Ass'y.—L.H.	43	756-0199		FI-Idler 2" O.D.
	642-0004		Outer Tine Ass'y.—R.H. (Not Shown)	44	710-0783		Hex Self-Tap Scr. #8-32 x .38" Lg.
19	642-0003		Inner Tine Ass'y.—L.H.	45	751-0233	N	Muffler Deflector
	642-0002		Inner Tine Ass'y.—R.H. (Not Shown)	46	746-0918		Clutch Control Cable
20	686-0009		Chain Case Ass'y. Comp. (Available Only as Comp. Ass'y.)	48	735-0639		Spark Plug Boot (Optional)
21	736-0119		L-Wash. 5/16" I.D.*	50	736-0169		L-Wash. 3/8" I.D.*
22	710-0107		Hex Bolt 5/16-24 x .5" Lg.	51	736-0258		FI-Wash. 3/8" I.D. x 1" O.D.
24	710-0191		Hex Bolt 3/8-24 x 1.25" Lg.	52	786-0047		Engine Plate
				53	786-0053		Tine Shield Support
				54	712-0240		Hex Nut 7/16-20 Thd.
				55	712-3010		Hex Nut 5/16-18 Thd.
				56	736-0312		Bearing Retainer Washer

*For faster service obtain standard nuts, bolts and washers locally.
If these items cannot be obtained locally, order by part number
and size as shown on parts list.

Model 390



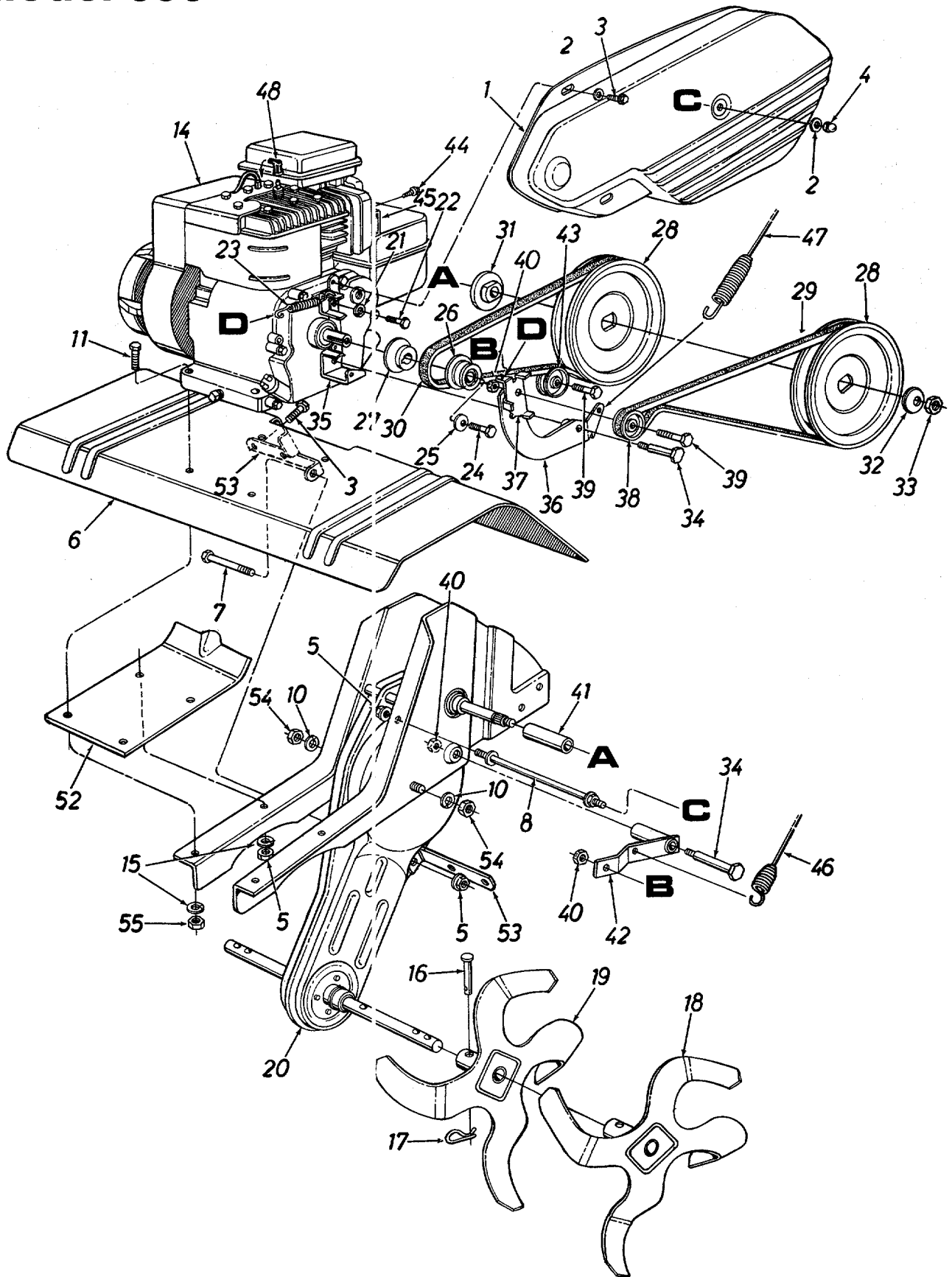
Model 390

PARTS LIST FOR MODEL 390 TILLER

REF. NO.	PART NO.	CODE	DESCRIPTION	REF. NO.	PART NO.	CODE	DESCRIPTION
1	710-0874		Hex Bolt 5/16-18 x 1.25" Lg.	26	736-3020		Fl-Wash. .266" I.D. x .625" O.D.
2	712-3004A		Hex Flange L-Nut 5/16-18 Thd. (Gr. 5)	27	712-0392		Hex L-Stop Nut 1/4-28 Thd.
3	786-0004		Tail Piece Brkt. (R.H.)	28	712-0138		Hex Nut 1/4-28 Thd.
4	786-0003		Tail Piece Brkt. (L.H.)	29	720-0268		Grip-Handle
5	710-0442		Hex Bolt 5/16-18 x 1.5" Lg.	30	736-0264		Fl-Wash. .344" I.D. x .62" O.D.
6	712-3004A		Hex Flange L-Nut 5/16-18 Thd. (Gr. 5)	31	736-0140		Fl-Wash. .385" I.D. x .62" O.D.
7	750-0890		Spacer .32" I.D. x .75" O.D.	32	720-0270		Grip-Reverse Lever
8	786-0005		Depth Bar	33	686-0014		Reverse Handle Ass'y.
9	711-0599		Clevis Pin .375" I.D. x 1.75" Lg.	34	726-0135		Cap Speed Nut
10	714-0149B		Internal Cotter Pin	35	741-0475		Plastic Bushing .38" I.D.
11	750-0470		Spacer .326" I.D. x .47" O.D.	36	720-0269		Grip-Clutch
12	750-0885		Spacer .322" I.D. x .44" I.D.	37	747-0815		Clutch Handle Eye Bolt
13	710-0176		Hex Bolt 5/16-18 x 2.75" Lg.	38	686-0008		Clutch Handle Ass'y.
14	786-0028		Frame-R.H.	39	710-0189		Hex Bolt 5/16-18 x 3" Lg.
15	786-0029		Frame-L.H.	40	649-0001		Longhorn Handle Ass'y.
16	686-0025		Wheel Hanger Brkt. Ass'y.	41	746-0919		Clutch Control Cable-Reverse
18	738-0213		Shld. Bolt .498" Dia. x 1.45" Lg.	42	746-0918		Clutch Control Cable-Forward
19	734-1566		Wheel Ass'y. 8" x 1.75"	43	710-1236		Carr. Bolt 5/16-18 x 1" Lg. (Special)
21	712-3005		Hex Flange L-Nut 3/8-16 Thd. (Gr. 5)	44	736-0123		Fl-Wash. .344" I.D. x 1.12" O.D.
22	731-1600	N	Handle Cover w/Reverse	45	736-0242		Bell-Wash. .345" I.D. x .88" O.D.
23	711-1036	N	Spec. Hex Nut	46	720-0195		Hand Knob
24	786-0129	N	Cable Guide Brkt.	47	749-0915		Engine Tubing Brace
25	736-0119		L-Wash. 5/16" I.D.*	48	712-0429		Hex Nyloc Nut 5/16-18 Thd.
				49	736-0242		Bell-Wash. .345" I.D. x .88" O.D.

*For faster service obtain standard nuts, bolts and washers locally.
If these items cannot be obtained locally, order by part number
and size as shown on parts list.

Model 390



Model 390

PARTS LIST FOR MODEL 390 TILLER

REF. NO.	PART NO.	CODE	DESCRIPTION	REF. NO.	PART NO.	CODE	DESCRIPTION
1	786-0030		Belt Cover	26	756-0600		Outer Engine Pulley Half
2	736-3020		Fl-Wash. .266" I.D. x .625" O.D.	27	756-0971		Inner Engine Pulley Half
3	710-0599		Hex Wash. Hd. TT-Tap Scr. 1/4-20 x .5" Lg.	28	756-0585		Fl-Pulley 6" Dia.
4	712-0392		Hex L-Stop Nut 1/4-28 Thd.	29	754-0429		"V"-Belt (Reverse)
5	712-3004A		Hex Flange Top L-Nut 5/16-18 Thd. (Gr. 5)	30	754-0428		"V"-Belt (Forward)
6	786-0035		Tine Shield	31	748-0350		Pulley Mounting Adapter
7	710-0118		Hex Bolt 5/16-18 x .75" Lg.*	32	736-0112		Bell-Wash. .535" I.D. x 1.5" O.D.
8	711-0920		Belt Cover Bolt	33	712-3029		Hex Jam Nut 1/2-20 Thd. (Gr. 5)
10	736-0171		L-Wash. 7/16" I.D.	34	738-0102		Shld. Bolt .498" Dia. x 1.45" Lg.
11	710-0380		Hex Bolt 5/16-18 x 1.75" Lg.	35	786-0040		Reverse Mounting Brkt.
14	—		Engine	36	686-0013		Reverse Arm Ass'y.
15	736-0170		Spec. L-Nut 5/16" I.D.	37	786-0041		Keeper Plate
16	711-0599		Clevis Pin .375" Dia. x 1.75" Lg.	38	756-0313		Fl-Idler 2.12" O.D.
17	714-0149B		Internal Cotter Pin	39	710-0723		Hex Cap Bolt 3/8-16 x 1.25" Lg.
18	642-0005		Outer Tine Ass'y.—L.H.	40	712-0266		Hex Cent. Jam Nut 3/8-16 Thd.
	642-0004		Outer Tine Ass'y.—R.H. (Not Shown)	41	750-0892		Spacer .64" I.D. x 2.4" Lg.
19	642-0003		Inner Tine Ass'y.—L.H.	42	686-0011		Tine Idler Brkt. Ass'y.
	642-0002		Inner Tine Ass'y.—R.H. (Not Shown)	43	756-0199		Fl-Idler 2" O.D.
20	686-0009		Chain Case Ass'y. Comp. (Available Only as Comp. Ass'y.)	44	710-0783		Hex Self-Tap Scr. #8-32 x .38" Lg.
21	736-0119		L-Wash. 5/16" I.D.*	45	751-0233		Muffler Deflector
22	710-0107		Hex Bolt 5/16-24 x .5" Lg.	46	746-0918		Clutch Control Cable—Forward
23	732-0697		Return Spring 2.7" Lg.	47	746-0919		Clutch Control Cable—Reverse
24	710-0191		Hex Bolt 3/8-24 x 1.25" Lg.	48	735-0639		Spark Plug Boot (Optional)
25	736-0452		Bell-Wash. .396" I.D. x 1.14" O.D.	52	786-0047		Engine Plate
				53	786-0053		Tine Shield Support
				54	712-0240		Hex Nut 7/16-20 Thd.
				55	712-3010		Hex Nut 5/16-18 Thd. (Gr. 5)

*For faster service obtain standard nuts, bolts and washers locally.
If these items cannot be obtained locally, order by part number
and size as shown on parts list.



