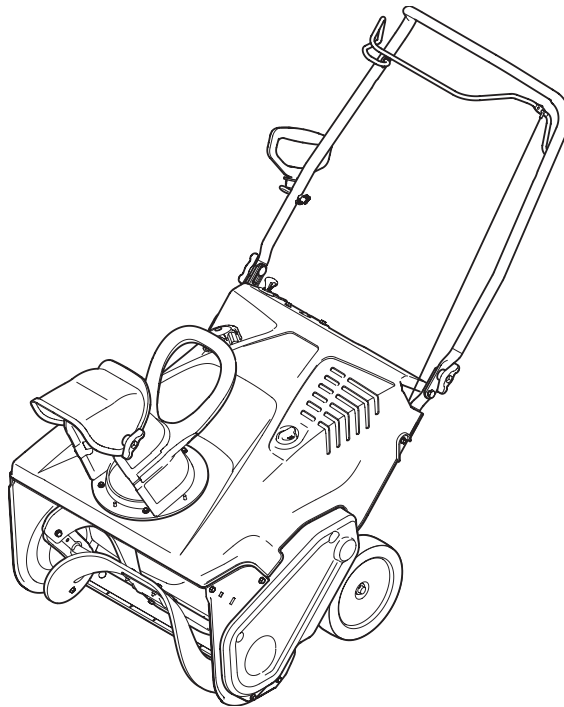

ILLUSTRATED PARTS MANUAL



Model 2T5 Shown

Single-Stage Snow Thrower — Models 2M1, 2S1 & 2T5

MTD LLC, P.O. BOX 361131 CLEVELAND, OHIO 44136-0019

To The Owner

Thank you for purchasing an MTD Snow Thrower. It was carefully engineered to provide excellent performance when properly operated and maintained.

All information in this manual is relative to the most recent product information available at the time of printing. Please be aware that this Illustrated Part's Manual may cover a range of product specifications for various models.

Components listed and/or illustrated in this manual may not be applicable to all models. We reserve the right to change product specifications, designs and equipment without notice and without incurring obligation.

Throughout this manual, all references to *right* (RH) and *left* (LH) are observed from the operating position.

Table of Contents

Shroud, Chute & Handle	4	Engine Model 265-JU-11	8
Drive System & Auger Assembly	6		

Record Product Information

To ease in ordering replacement parts, please locate the model plate on the equipment and record the information in the provided area to the right. You can locate the model plate by looking beneath the seat.

MODEL NUMBER

--	--	--	--	--	--	--	--	--	--	--	--

SERIAL NUMBER

--	--	--	--	--	--	--	--	--	--	--	--

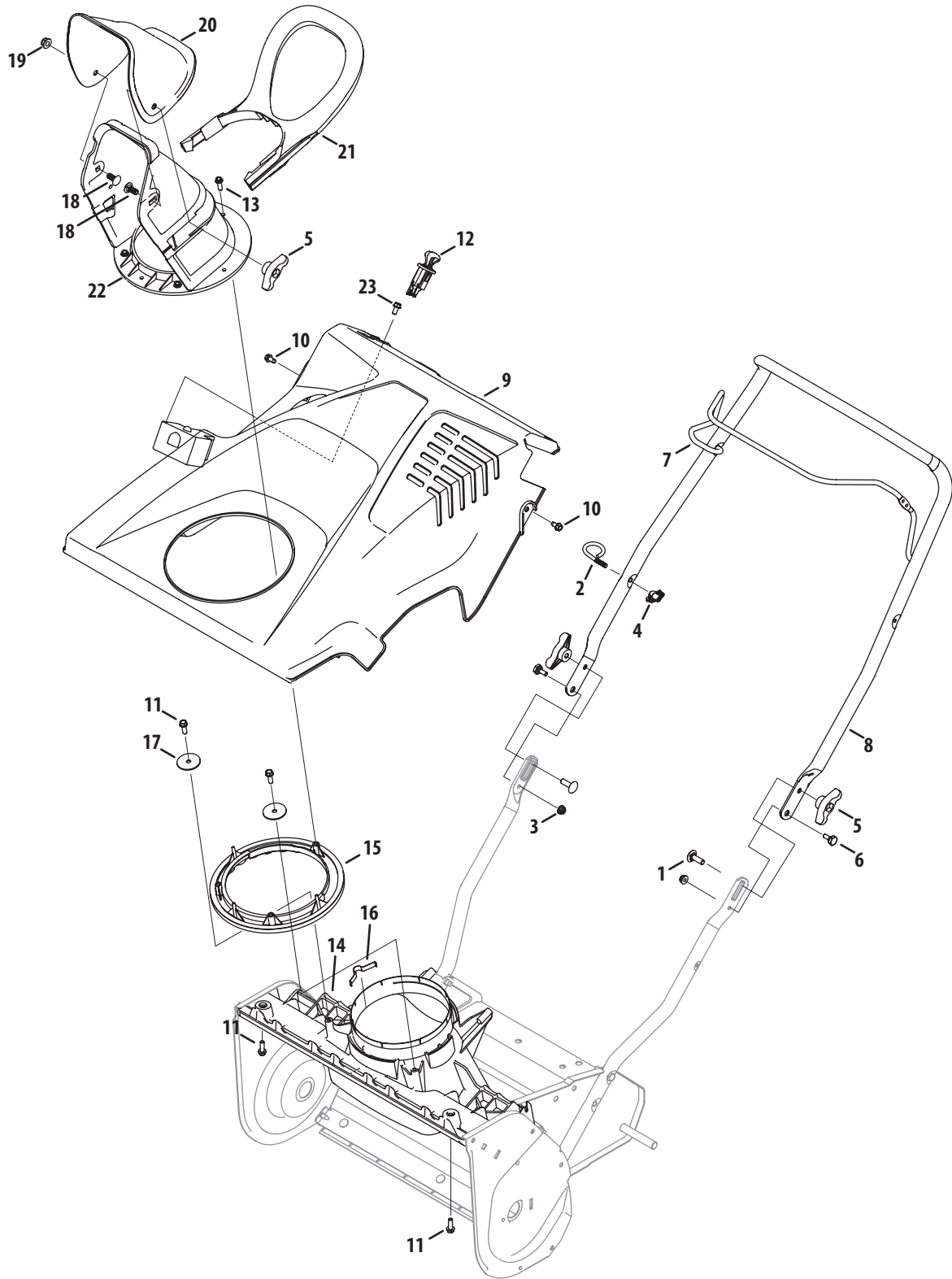
Painted Parts

When ordering painted service parts, a four digit color suffix must be added to the part number (e.g. 783-XXXXX-0637). Please refer to the table below for current color codes:

0637	Black	0674	Yellow (Yard-Man)
0709	Dark Green (Bolens, Yard-Man)	0650	Metallic Red (White Outdoor)
0662	Oyster Gray (MTD Gold)	0629	Silver Flake (MTD Platinum)
0638	Red (Yard Machines, Huskee, Troy-Bilt, MTD)	04038	Day Orange (Daedong)
0691	Black Jack (MTD Gold, MasterCut)	04033	Flint Mica (Troy-Bilt XP)

This page left intentionally blank.

Shroud, Chute & Handle

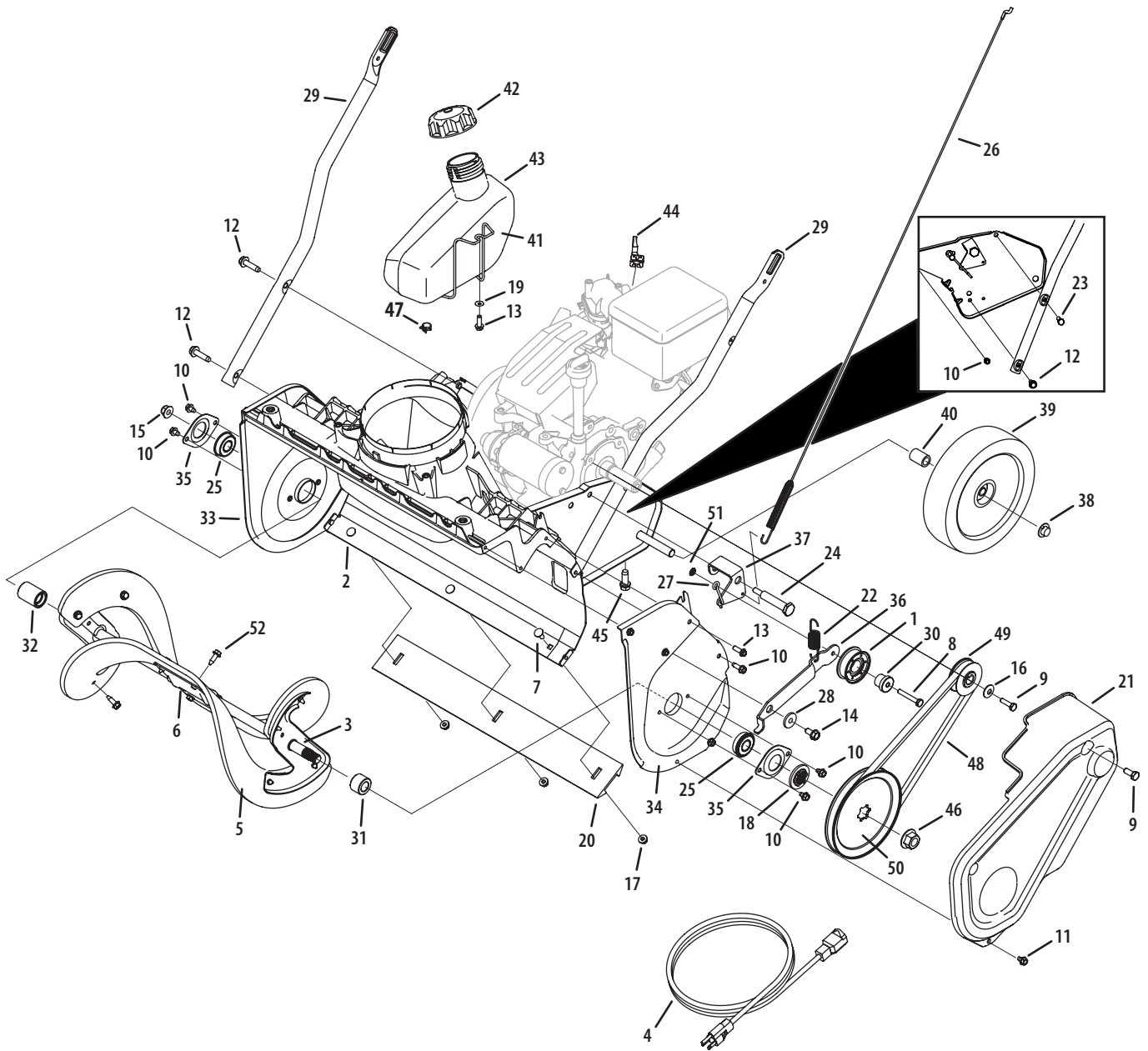


Ref.	Part Number	Description
1.	710-04998	Carriage Bolt, 5/16-18 x 1.00
2.	710-05348	Eye Bolt, 1/4-20
3.	712-04064	Flange Lock Nut, 1/4-20
4.	720-0279	Knob Handle
5.	720-04122	Wing Knob
6.	738-04419A	Shoulder Screw, .375 x .148 x 1/4-20
7.	747-05327B†	Auger Bail
	747-05490	Auger Bail
8.	749-04703B†	Upper Handle
	749-04808	Upper Handle
9.	731-08347	Top Cover (Black w/o electric start)
	731-08352††	Top Cover (Gray)
	731-08339††	Top Cover (Black)
10.	710-0599	Hex Screw, 1/4-14 x .500
11.	710-0895	Screw, Hi-Lo:1/4-15, 0.75
12.	925-04031A	Ignition Switch Assembly
13.	710-05108	Hex Washer Screw, 1/4 x .750
14.	931-07626A	Chute Adapter
15.	731-08274	Chute Ring
16.	932-04111	Chute Adjustment Spring
17.	736-04576	Flat Washer, .28 x 1.5 x .066
18.	710-0451	Carriage Bolt, 5/16-18 x .750
19.	712-04063	Flange Lock Nut, 5/16-18
20.	731-04426A	Upper Chute
21.	731-07644	Chute Handle
22.	931-07753A	Lower Chute
23.	710-04187††	Hex Washer Screw, 1/4-15 x .50

† Model 2T5

†† Model with electric start

Drive System & Auger Assembly

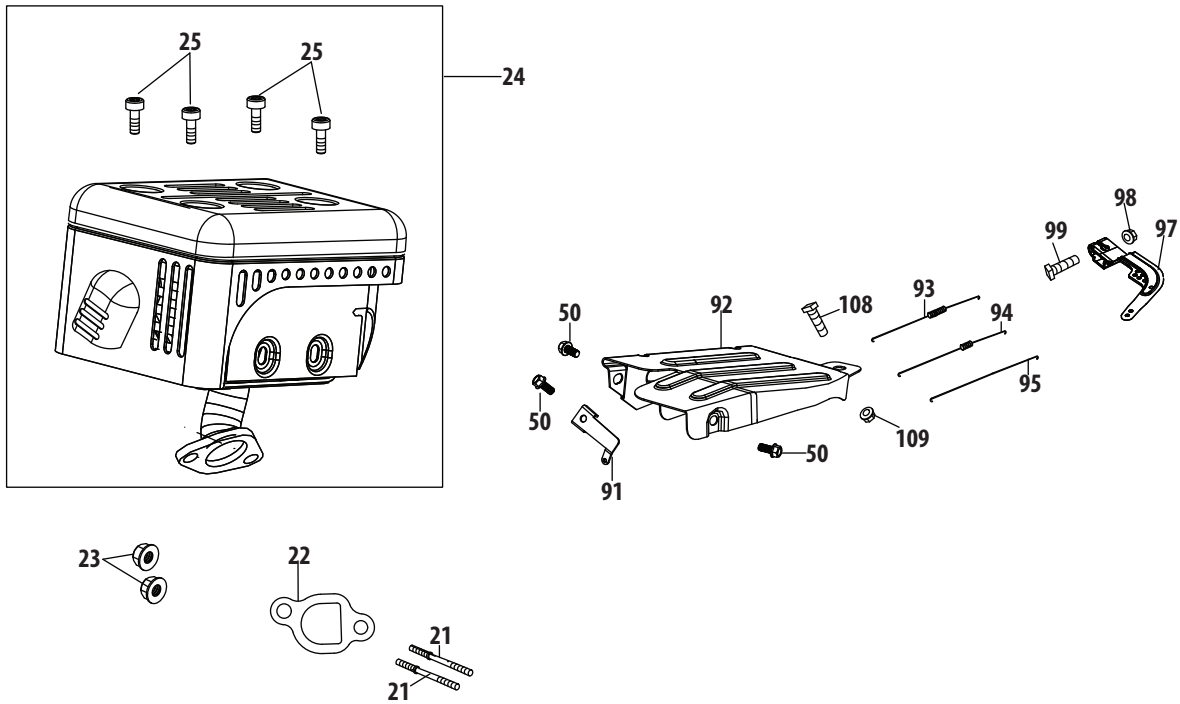


Drive System & Auger Assembly

Ref.	Part Number	Description	Ref.	Part Number	Description
1	684-04168	Idler Pulley Assembly	27	747-05360A	Drive Cable Wire Support
2	684-04398	Frame	28	748-0234	Shoulder Spacer
3	984-04393	Auger Assembly Mount	29	749-04810	Lower Handle
4	929-0071A*	3-Prong Extension Cord	30	750-04571	Shoulder Spacer, .260 x .785 x .538
5	753-06469	Auger Replacement Kit (Inc. 2 Paddles and 12 Hex Washer Screws)	31	750-04758	LH Auger Spacer
6	790-00427	Center Auger Bracket	32	750-05393	RH Auger Spacer
7	710-0134	Carriage Screw, 1/4-20 x .62	33	790-00444	RH Auger Plate
8	710-0778	Hex Screw, 1/4-20 x 1.50	34	790-00445	LH Auger Plate
9	710-0627	Hex Lock Screw, 5/16-24 x .750	35	790-00457	Bearing Cup
10	710-1652	Hex Washer Screw, 1/4-20 x .625	36	790-00461	Idler Bracket
11	710-0599	Hex Washer Screw, 1/4-20 x .500	37	790-00426	Cable Idler Bracket
12	710-0817	Hex Washer Screw, 5/16-18 x 1.250	38	726-0299	Push Cap, 1/2
13	710-0895	Hex Washer Screw, 1/4-15 x .750	39	734-04585	Wheel, 8"
14	710-04484	Hex Washer Screw, 5/16-18 x .75		734-04063A	Wheel, 7"
15	712-04065	Flange Lock Nut, 3/8-16	40	750-04432	Spacer, .525 x .775 x .835
16	736-0371	Thrust Washer, .343 x .880 x .062	41	747-05513	Gas Tank Wire Support
17	712-04064	Flange Lock Nut, 1/4-20	42	751-10487A	Fuel Cap
18	718-04836	Pulley Hub	43	751-11648	Fuel Tank
19	736-3092	Washer, .265 x 1.00 x .030	44	731-07664*	Choke Extension Lever
20	731-08171	Shave Plate	45	710-0654A	Hex Washer Screw, 3/8-16 x 1.000
21	731-07737A	Belt Cover	46	912-0702	Flange Nut, 7/16-20
22	732-04748	Extension Spring, .70 x 3.035	47	726-0205	Hose Clamp
23	710-05183	Hex Screw, 5/16-24 x 1.25	48	954-04050	Belt, .500 x 35.06
24	738-04456	Shoulder Bolt, 5/16-24 x .496 x 2.18	49	956-0416B	Pulley Half, .625 x 2.25
25	741-04517	Ball Bearing, .500 x 40mm x 12mm	50	756-04443	Pulley, 1/2 x 6.00
26	946-04782	Clutch Cable	51	726-0233	Push Nut
			52	710-05058	Hex Washer Screw, 1/4-20 x .750

* Models with electric start

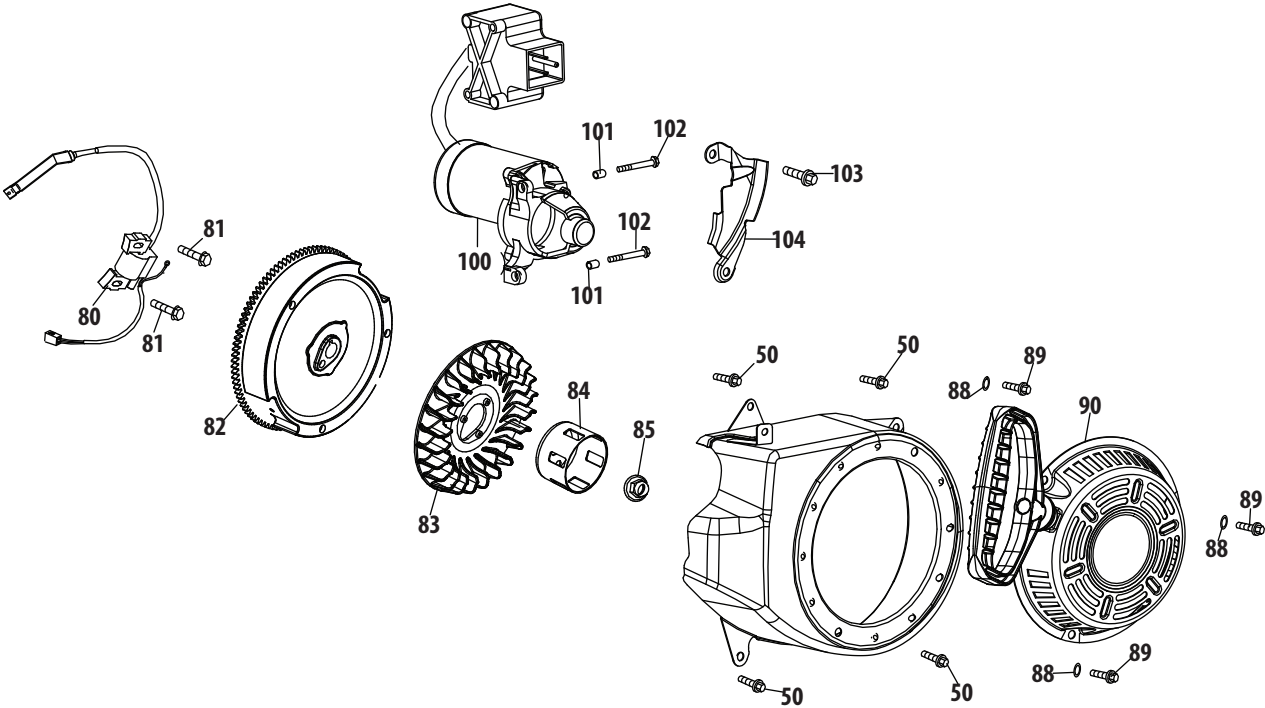
265-JU-11 Muffler



Ref.	Part Number	Description
21	710-04911	Muffler Stud M8×36
21	951-10657	Muffler Stud Assembly
22	951-11285	Muffler Gasket
23	712-04214	Nut, M8
24	951-12010	Muffler Assembly
25	710-05002	Bolt M5×10
50	710-04915	Bolt M6×12
91	951-11104	Governor Spring Bracket
92	951-12016	Governor Shield

Ref.	Part Number	Description
93	951-12100	Governor Spring
94	951-10664	Throttle Linkage Spring
95	951-10665	Throttle Linkage
97	951-11106	Governor Arm
98	712-04212	Nut M6
99	710-04908	Governor Arm Bolt
108	710-04920	Bolt M6×28
109	712-04212	Nut M6

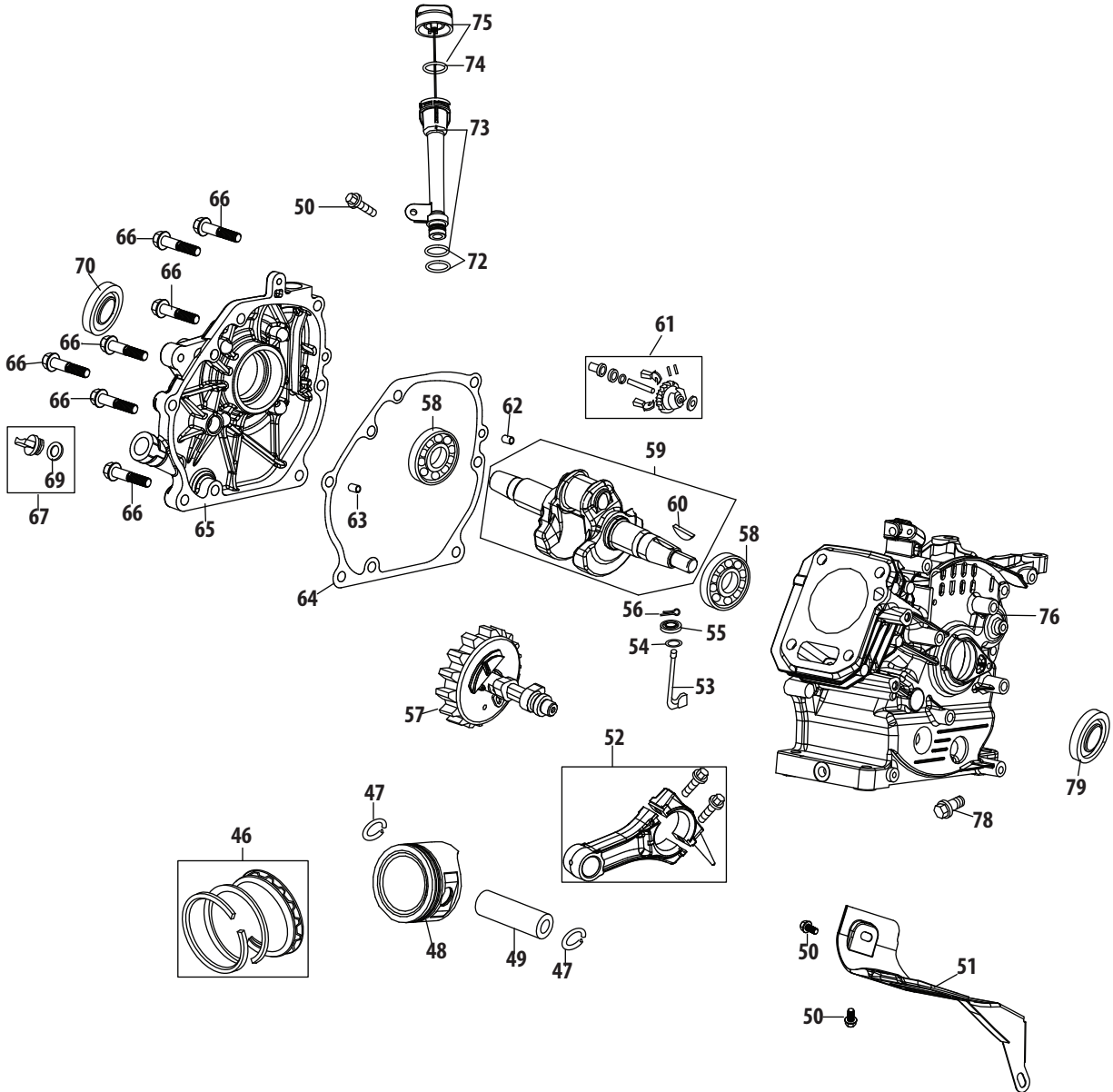
265-JU-11 Starter & Flywheel



Ref.	Part Number	Description
50	710-04915	Bolt M6x12
80	951-12013	Ignition Coil Assembly
81	710-04919	Bolt M6x25
82	951-12416	Flywheel
83	951-10909	Fan, Cooling
84	951-10911	Starter Cup
85	712-04209	Nut, Special, M14x1.5
87	951-12644	Blower Housing
88	736-04455	Washer

Ref.	Part Number	Description
89	710-04974	Bolt M6x10
90	951-12015	Recoil Starter
100	951-10645A	Startup Electromotor
101	715-04088	Dowel Pin 8x8
102	710-05182	Bolt M6x32
103	710-04979	Bolt M6x18
104	951-11109	Blower Housing Shield
	731-05632	Key

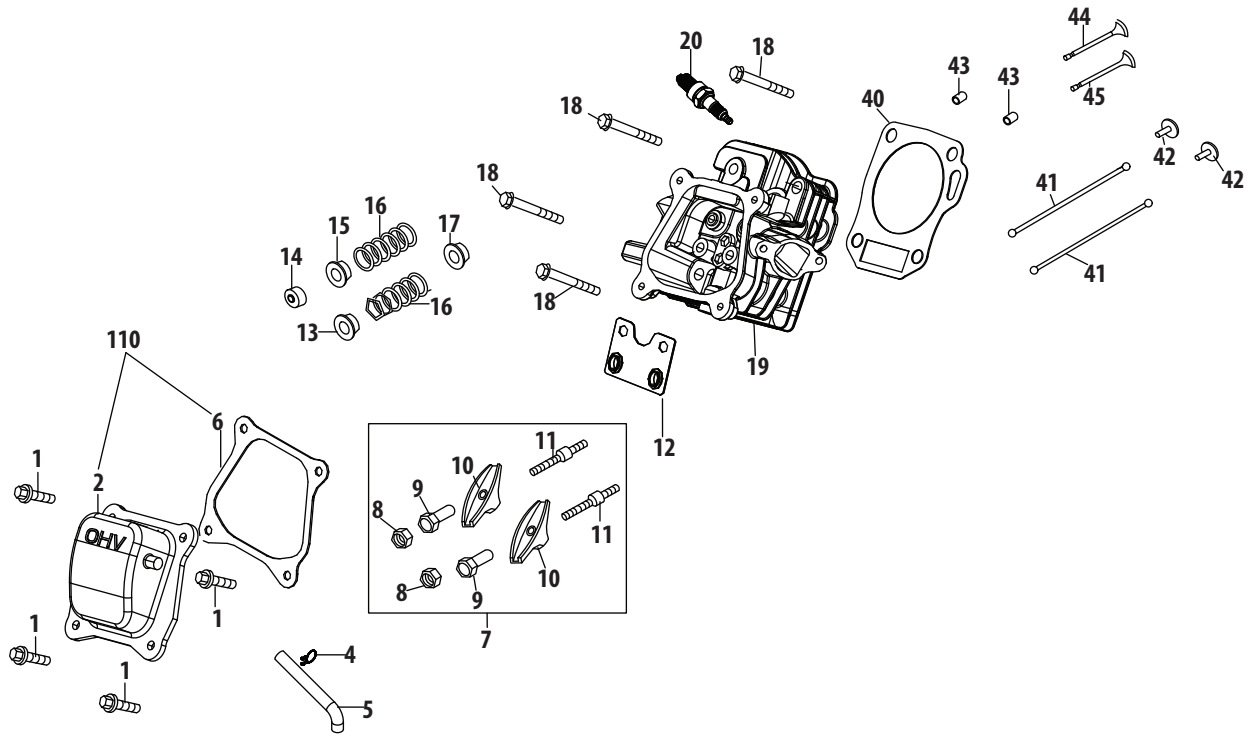
265-JU-11 Crankcase



265-JU-11 Crankcase

Ref.	Part Number	Description	Ref.	Part Number	Description
46	951-11688	Piston Ring Set	70	951-11368	Oil Seal, 25xØ41.25x6
47	951-11632	Piston Pin Snap Ring	72	951-11381	Oil Fill Tube O-Ring
48	951-11900	Piston	73	951-11913	Oil Fill Tube Assembly
49	951-11901	Piston Pin	74	951-11904	Dipstick O-Ring
50	710-04915	Bolt M6x12	75	951-12482	Dipstick Assembly
51	951-11113	Air Shield	76	951-12650	Crankcase Kit (Incl.55,58,70,76,79)
52	951-11573	Connecting Rod Assembly	78	951-12514	Oil Drain Plug
53	951-11356	Governor Arm Shaft	79	951-11370	Oil Seal 25x41.25x6
54	736-04461	Washer 5.2x1.9		951-11246	Crankcase Cover Kit (Incl.58,64-67,70)
55	951-11902	Governor Seal		951-12649	Crankshaft Kit (Incl.58-60,70,79)
56	714-04074	Cotter Pin		951-12026	Gasket Kit - External (Incl.6,22,27-29,35)
57	951-11575	Camshaft Assy.		951-12028	Gasket Kit - Complete (Incl.6,22,27-29,35,40, 54,55,64,70,79)
58	951-11369	Radial Ball Bearing, 6205		951-12648	Short Block (Incl.6,22,27,28,40,42,43, 46-49,52-67,70,76-79)
59	951-12102	Crankshaft Assembly Kit		952Z265-JU-11	Complete Engine
60	951-10307	Woodruff Key			
61	951-11576	Governor Gear/Shaft Assembly			
62	715-04092	Dowel Pin 7x14			
63	715-04089	Dowel Pin 9x14			
64	951-11371	Crankcase Cover Gasket			
65	951-12125	Cover Comp, Left Crankcase			
66	710-04932	Bolt M8x32			
67	951-11283	Dipstick Assembly			
69	951-11577	O-Ring 15.8x2.5			

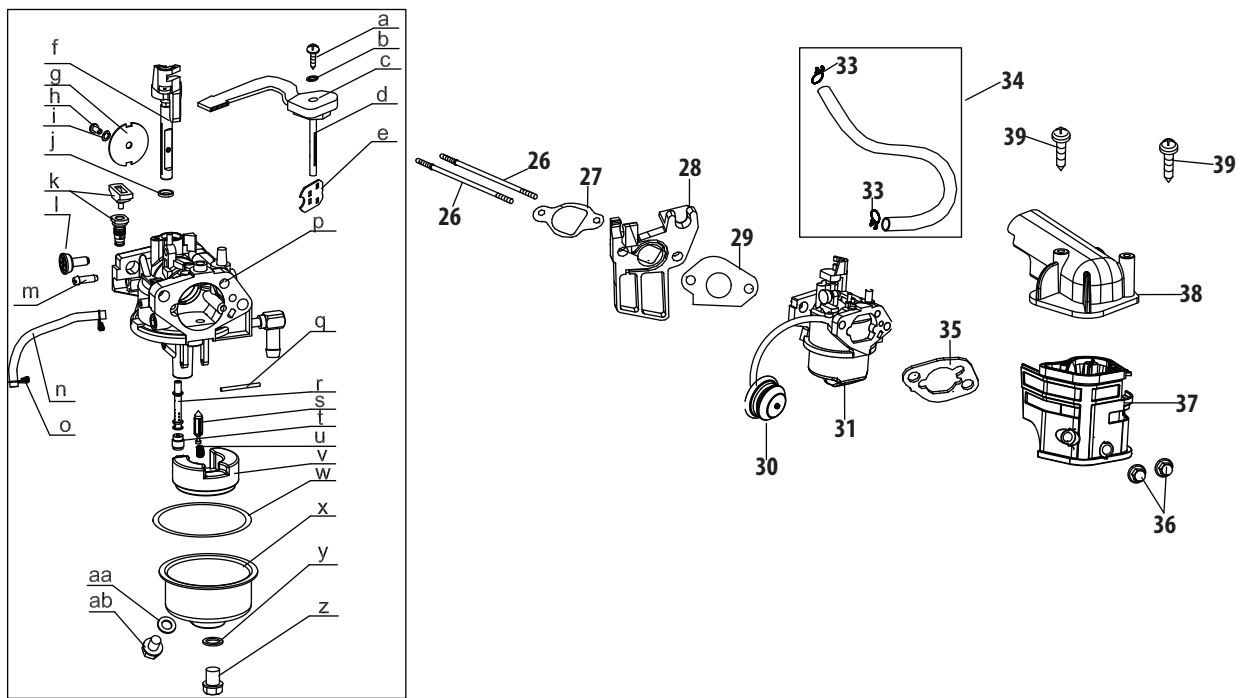
265-JU-11 Cylinder Head



265-JU-11 Cylinder Head

Ref.	Part Number	Description	Ref.	Part Number	Description
1	710-04968	Bolt M6×16	20	951-10292	Spark Plug/F6Rtc
2	951-11054	Valve Cover	40	951-11898	Gasket, Cylinder Head
4	726-04101	Breather Hose Clamp	41	951-10648	Push Rod Kit
5	731-07059	Breather Hose	42	951-11899	Tappet
6	951-11565	Valve Cover Gasket	43	715-04090	Dowel Pin 10×16
7	951-11892	Rocker Arm Assembly	44	951-10647A	Exhaust Valve
8	751-11124	Nut, Pivot Locking	45	951-10647A	Intake Valve
9	751-11123	Adjusting Nut ,Valve	110	951-11063A	Valve Cover Kit
10	951-11893	Rocker Arm		952Z265-JU-11	Complete Engine
11	710-04902	Bolt, Pivot		951-12026	Gasket Kit - External (Incl.6,22,27-29,35)
12	951-11895	Push Rod Guide		951-12028	Gasket Kit - Complete (Incl.6,22,27-29,35,40, 54,55,64,70,79)
13	951-12000	Retainer, In.Valve Spring		951-12648	Short Block (Incl.6,22,27,28,40,42,43, 46-49,52-67,70,76-79)
14	951-12002	Adjuster, Exhaust Valve			
15	951-12003	Retainer, Exhaust Valve Spring			
16	951-12004	Valve Spring			
17	951-11894	Intake Valve Seal			
18	710-04933	Bolt M8×55			
19	951-10722A	Cylinder Head Assembly (Incl.6,8-17,19,22,27, 28,40,44,45)			

265-JU-11 Carburetor



265-JU-11 Carburetor

Ref.	Part Number	Description
26	710-05101	Stud M6x110
27	951-11567	Carburetor Insulator Gasket
28	951-11568	Carburetor Insulator
29	951-11569A	Carburetor Gasket
30	951-10639A	Primer Assembly
31	951-12011	Carburetor Assembly
32	951-11700	Fuel Hose Clamp
34	951-12012	Fuel Line Kit
35	951-11571	Carburetor Gasket Plate
36	712-04213	Nut
37	951-10962	Air Cleaner Housing
38	951-10961	Air Cleaner Assembly
39	710-05275	Self-Tapping Bolt M4.2x16
a	n/a	Screw M3x5
b	n/a	Washer
c	n/a	Control Lever,Choke
d	n/a	Choke Shaft
e	n/a	Choke Plate
f	n/a	Throttle Shaft
g	n/a	Throttle Plate
h	n/a	Screw M3x5
i	n/a	Lock Washer

Ref.	Part Number	Description
j	n/a	Idle Jet Assembly
k	n/a	Gasket, Throttle Plate
l	n/a	Idle Speed Adjusting Screw
m	n/a	Mixture Screw
n	951-12019	Primer Hose
o	951-11906	Hose Clamp
p	n/a	Carburetor Body
q	n/a	Float Pin
r	n/a	Emulsion Tube
s	n/a	Needle Valve
t	n/a	Main Jet
u	n/a	Needle Valve Spring
v	n/a	Float
w	951-11589	Fuel Bowl Gasket
x	n/a	Fuel Bowl
y	951-11348	Fuel Bowl Gasket
z	710-04945	Fuel Bowl Mounting Bolt
aa	951-11349	Fuel Drain Plug Gasket
ab	710-04938	Fuel Drain Plug
	951-11020A	Carburetor Kit - Major (Incl.j,k,l,q,r,s,t,u,v,w,y,aa)



To order replacement parts or locate your nearest service dealer call a Customer Support at (800) 800-7310.
or visit www.mtdproducts.com to find the nearest authorized dealer in your area.

MTD LLC, P.O. BOX 361131 CLEVELAND, OHIO 44136-0019
