

## ■ PLL CLOCK RADIO



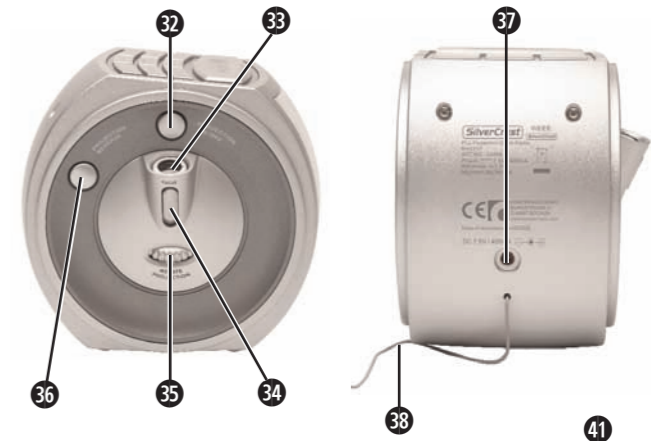
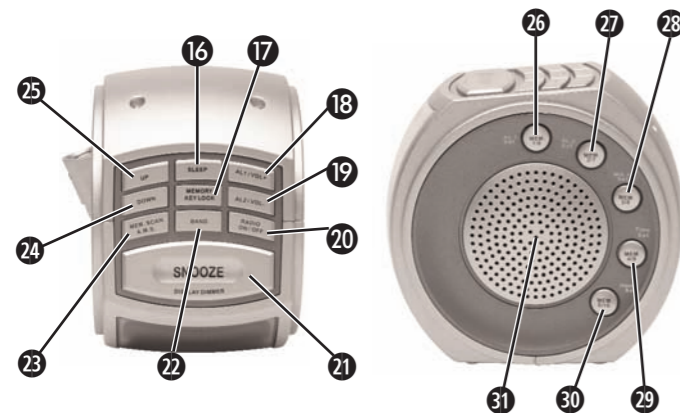
GB  
IE  
CY

**PLL CLOCK RADIO**

Operating instructions

KOMPERNASS GMBH · BURGSTRASSE 21 ·  
D-44867 BOCHUM  
[www.kompernass.com](http://www.kompernass.com)  
ID-Nr.: KH2217-08/08-V1

**SilverCrest**



<b>CONTENT</b>	<b>PAGE</b>
<b>Safety instructions</b>	<b>4</b>
<b>Intended use</b>	<b>8</b>
<b>Items supplied</b>	<b>8</b>
<b>Appliance overview</b>	<b>9</b>
<b>Technical data</b>	<b>11</b>
<b>Preparing for use</b>	<b>12</b>
<b>Providing electrical power</b>	<b>12</b>
<b>Using the clock</b>	<b>13</b>
<b>Using the radio</b>	<b>19</b>
<b>Cleaning the appliance</b>	<b>23</b>
<b>Disposal</b>	<b>24</b>
<b>Warranty and Service</b>	<b>25</b>
<b>Importer</b>	<b>26</b>

Read the operating instructions carefully before using the appliance for the first time and preserve this booklet for later reference. Pass this manual on to whoever might acquire the appliance at a later date.

# PLL CLOCK RADIO KH 2217

---

## Safety instructions

---

- This device has not been designed for use by people (including children) with restricted physical, sensory or intellectual abilities or lack of experience and/or knowledge, unless they are supervised by a responsible person (for their own safety) or have received instructions on how to use the device.
- Children should be supervised to ensure that they do not play with the device.
- In order to avoid the device being switched on unintentionally, remove the adapter from the mains socket after each use and before cleaning.
- Check the device and all parts for visible damage. The device's safety concept can only work if the device is in perfect condition.
- The mains adapter must always be freely accessible so that the device can be separated from the power supply quickly in an emergency.

### ***Risk of electric shock!***

- Only connect the device to a properly installed and earthed mains socket. The mains voltage must agree with that stated on the device's specification plate.
- Damaged adapters or mains cables should be exchanged immediately by an authorised technician or the Customer Service in order to avoid risks.

- Connection cables or devices that do not work perfectly or have been damaged should be repaired or exchanged immediately by Customer Services.



Never immerse the device in water!

Simply wipe it with a slightly damp cloth.

- Do not expose the device to rain or use it in a damp or wet environment.
- Ensure that the connection cable is never wet or damp when in use.
- You must not open or repair the device's housing. This can be dangerous and renders the warranty null and void.
- Protect the device from moisture and sprayed water. Therefore do not place any objects filled with water (e. g. vases) on or near the device.

### **Electro-magnetic fields**

This appliance complies with the legal limits for electric smog, even within the casing!

However, if you still have doubts about installing it in the bedroom:

- Place the appliance about half a meter from the bed.

At this distance the electro-magnetic fields are no longer effective even for electro-sensitive people itself.

### **Risk of fire!**

- Do not use the device near hot surfaces.
- Do not set the device up where it is exposed to direct sunlight. This could cause it to overheat and damage it beyond repair.
- Never leave the device unattended during operation.
- Never cover the device's ventilation slots when it is switched on.
- Do not place open flames, such as candles, on or near the device.

**ⓘ Note:**

*This appliance is equipped with non-slip rubber feet. Furniture upper surfaces comprise of various materials and are cleaned with various types of polishes and/or cleaning agents. Thus it cannot be completely excluded that some of these substances contain components that could attack the rubber pads and soften them. If necessary, place an anti-slip mat under the rubber pads of the appliance.*

**ⓘ Note:**

*In certain countries there could be exceptional regulations for the allocated radio frequency ranges.*

Take note that you may not exploit possibly received radio services, pass them on to third parties or im-properly misuse them.

**⚠ Risk of injury!**

- Keep children away from the connection cable and device. Children frequently underestimate the danger of electrical devices.
- If the device has fallen down or is damaged it must no longer be used. Have the device checked by a qualified specialist and, if necessary, repaired.
- Batteries must not be handled by children. Children can put batteries in their mouths and swallow them.

If a battery has been swallowed, obtain medical assistance immediately.

### **Thunder storms!**

Devices connected to mains power can be damaged during a thunder storm. If there is a thunder storm, always remove the mains plug from the socket.

### **Information on voltage surges (EFT/electrical fast transient) and electrostatic discharges:**

If the product does not work properly due to electrical fast transient processes (voltage surges) or electrostatic discharge, it must be reset to restore normal operation. If necessary, remove the plug from the power socket and insert it again. The batteries (if used) must be removed and reinserted.

### **Notes on handling batteries**

The device uses batteries. Please note the following on handling batteries:

### **Risk of explosion!**

*Do not throw batteries into a fire. Do not recharge batteries.*

- Never open, solder or weld batteries. There is a risk of explosion and injury!
- Check batteries regularly. Leaking batteries can damage the device.
- If the appliance is not going to be used for long periods, remove the batteries.
- If batteries leak, put on protective gloves.
- Clean the battery compartment and contacts with a dry cloth.

## **Caution!**

*No liability/warranty applies to damage to the device caused by moisture due to water penetrating the device or overheating!*

## **Intended use**

---

The equipment is intended for use as an alarm clock using a signal tone or a radio signal, and for receiving radio transmissions. All other usages of or modifications to the appliance are deemed to be improper use and may result in serious injury.

The manufacturer accepts no liability for damages that result from an improper use of the appliance or that are caused by an incorrect operation of it. The appliance is not intended for commercial use.

## **Items supplied**

---

After unpacking, immediately check to determine that all listed items are present and that there are no visible damages.

1 Projection Clock

1 Power adapter

1 Operating instructions

Batteries are not supplied.



# Appliance overview

---

- ① Display
- ② Frequency display/Time
- ③ Frequency band display FM/AM
- ④ Alarm time display
- ⑤ Alarm time 2 (AL2)
- ⑥ Signal tone alarm call
- ⑦ Info display for change of batteries
- ⑧ Operation with power adapter
- ⑨ Buttons locked
- ⑩ Number of the selected save position
- ⑪ Volume display VOL
- ⑫ Radio alarm call
- ⑬ Alarm time 1 (AL1)
- ⑭ Sleep Timer switched on
- ⑮ Display in radio operation
- ⑯ Button for sleep function (SLEEP)
- ⑰ Button for saving radio station / Button lock (MEMORY KEY LOCK)
- ⑱ Button for alarm time 1 / Increase volume (AL1/VOL+)
- ⑲ Button for alarm time 2 / Decrease volume (AL2/VOL-)
- ⑳ Button for RADIO ON/OFF
- ㉑ Snooze button/Display illumination (SNOOZE/ DISPLAY DIMMER)
- ㉒ Button for changing frequency band (BAND AM/FM)
- ㉓ Button to seek saved radio station/Automatically save radio station (MEM SCAN/A.M.S.)

- 24 Button for radio station search downwards (DOWN)
- 25 Button for radio station search upwards (UP)
- 26 Button for save position 1/6, set alarm time 1 (MEM. 1/6, AL.1 SET)
- 27 Button for save position 2/7, set alarm time 2 (MEM. 2/7, AL.2 SET)
- 28 Button for save position 3/8, adjust minutes (MEM. 3/8, MIN.+ SET)
- 29 Button for save position 4/9, adjust time (MEM. 4/9, TIME SET)
- 30 Button for save position 5/10, adjust hours  
(MEM. 5/10, HOUR+ SET)
- 31 Loudspeakers
- 32 Button for projection of the time On/Off (PROJECTION ON/OFF)
- 33 Rotatable projection lens
- 34 Focusing slider (FOCUS)
- 35 Adjustment wheel to turn the time projection (ROTATE PROJECTION)
- 36 Button to turn the time projection through 180°  
(PROJECTION REVERSE)
- 37 Power adapter connection DC 7,5 V
- 38 Wire aerial
- 39 Battery compartment cover
- 40 Reset button
- 41 Power adapter with plug and cable
- 42 Connector plug

## Technical data

---

This device has been tested and approved for adherence to the basic requirements and the other relevant regulations of the EMC Directive 2004/108/EC and the Directive on Low Voltage Devices 2006/95/EC.

**Power consumption:** 4,5 W

### **Battery operation:**

4 x 1,5 V Type Mignon/AA/LR6 (not supplied) for radio operation, display illumination and projection

### **Mains operation:**

DC 7,5 V  $\equiv$  400 mA

### **Frequency range:**

FM (USW) : 87,5-108,5 MHz

AM (MW) : 522-1656 kHz

### **Power adapter:**

Input: 230 V ~ 50 Hz  
30 mA

Output: DC 7,5 V  $\equiv$   
400 mA, 3 VA

## Preparing for use

---

- Remove the projection clock from the packaging.
- Place the projection clock on a level surface.
- Position the projection clock such that the projection lens is directed onto an empty surface.

The room must be darkened for the time display to be clearly visible on a wall or ceiling.

## Providing electrical power

---

### **Important:**

Ensure that you have the correct polarities with the batteries and the power adapter. False polarity will damage the appliance.

The appliance can be operated as follows:

- only with batteries,
- only with the power adapter.

### **Inserting the batteries**

You require four 1,5 V batteries of the type Mignon/AA/LR6.

1. Open the cover of the battery compartment on the underside.
2. Insert the four batteries, ensuring their position-ings comply with the polarity markings given in the battery compartment.  
Make sure that the black textile strip is positioned under the batteries, this will make a battery exchange easier.

3. Close the lid, until it engages.
  - Exchange all four batteries when the information indicator for a battery renewal is displayed.
  - Check the state and charge condition of the inserted batteries at least once a year.

**ⓘ Note:**

*The saved radio stations will be erased if the appliance is without an electricity supply for longer than ca. 4 minutes. Provide electricity either by means of the power adapter or make sure you complete the exchange of batteries within 4 minutes. Should the appliance not function as expected after a power failure, the reset procedure must be carried out (see "Troubleshooting").*

### **Connecting the power adapter**

Use only the power adapter supplied with the appliance.

1. Insert the connector plug of the power adapter into the power adapter connection on the back of the appliance.
2. Insert the plug of the power adapter into a power socket with 230 V ~ 50 Hz.

On the display the symbol for mains power operation is indicated.

## **Using the clock**

---

**ⓘ Note:**

*To be able to adjust the time, the clock radio must be switched off.*

## Setting the time

1. Press the button **TIME SET**.  
The time on the display blinks.

### **Note:**

*Complete the adjustments within 10 seconds. After ca. 10 seconds the appliance returns to its start setting. The adjustments completed to this point will be taken over.*

The button **HOUR+ SET** can be pressed numerous times in succession or held down firmly.

2. Press the button **HOUR+ SET** to set the hours.
3. As soon as the desired hour indication is shown in the display release the button. The button **MIN+ SET** can be pressed numerous times in succession or held down firmly.
4. Press the button **MIN+ SET** to set the minutes.
5. As soon as the desired minute indication is shown in the display, release the button.
6. Press the button **TIME SET** or wait a few seconds. The programmed time will be taken over.

## Selecting the 12 hour or the 24 hour modus

Press and hold the button **BAND** for about 2 seconds.

In the display "24Hr" blinks to indicate the 24-hour mode.

Within 10 seconds repeatedly press the button **MIN+ SET** to switch between the 12-hour mode ("12Hr" blinks) and the 24-hour mode.

Press the button **BAND** or wait a few seconds.

The selected mode is taken over. In the 12-hour mode the indicator PM appears under the time display for the hours of the afternoon/evening.

## Setting the alarm time

You can programme in two different alarm times, **AL1** and **AL2**.

Alarm times can only be programmed with the radio switched off.

1. Press the button **AL1 SET**.

The alarm time *AL1* blinks.

The button **HOUR+ SET** can be pressed numerous times in succession or held down firmly.

2. Press the button **HOUR+ SET** to set the hours.
3. As soon as the desired hour indication is shown in the display for alarm time **AL1**, release the button. The button **MIN+ SET** can be pressed numerous times in succession or held down firmly.
4. Press the button **MIN+ SET**, to set the minutes.
5. As soon as the desired minute indication is shown in the display for alarm time **AL1**, release the button.
6. Press the button **AL1 SET** or wait a few seconds.  
The programmed alarm time will be taken over.
7. To programme in the second alarm time, repeat the steps 1 to 6.
8. However, instead of pressing button **AL1 SET**, press the button **AL2 SET**.

## Switching the alarm function on

### **Note:**

*If you wish to be woken by the radio, programme in both the desired sound volume and the radio station for the alarm call in advance (see chapter "Adjusting the volume").*

With each push on the buttons **AL1/VOL+** or **AL2/VOL-** you switch through the available alarm options.

1. To switch on the alarm call with signal tone, repeatedly press the button **AL1/VOL+** until the bell symbol appears in the field **AL1** on the display. The alarm time is shown on the display.  
The signal tone becomes louder the longer it sounds.
2. To switch on the alarm call with radio, repeatedly press the button **AL1/VOL+**, until the radio symbol appears in the field **AL1**.  
The alarm time is shown on the display.
3. To switch off the alarm function, repeatedly press the button **AL1/VOL+** until a symbol no longer appears in the field **AL1**.  
The alarm time is nonetheless shown in the display, but the signal tone or radio does not sound at the programmed time.

**Note:**

*The alarm function is only active when the bell symbol or the radio symbol in the fields **AL1** or **AL2** are visible. The action steps described are also valid for the button **AL2/VOL-**.*

### **To switch off the alarm function to the following day**

To switch off the alarm sound press one of the following buttons:

- Button **AL1/VOL+**,
- Button **AL2/VOL-**,
- Button **RADIO ON/OFF**,
- Button **SLEEP**.

The switching off of the alarm sounds is confirmed by a signal tone, except with the button **RADIO ON/OFF**.



## Snooze function

With the button **SNOOZE/ DISPLAY DIMMER** you can interrupt the alarm function for a period of between 1 and 30 minutes, this period being programmed by yourself (see next section). The factory setting is 9 minutes.

On the expiration of this period the alarm tone or radio sounds again (Automatic after-call). The function can be repeated up to six times. After that, the alarm first sounds on the following day.

The automatic after-call allows itself to be individually adjusted to between 1 and 30 minutes. The radio is switched off and the automatic after-call is not active.

1. Press and hold the button **SNOOZE/DISPLAY DIMMER** until *570* and the minute indication appears on the display.
2. Press the button **MIN+ SET** to programme the minutes.
3. As soon as the desired after-call period is displayed, release the button.
4. Press the button **SNOOZE/DISPLAY DIMMER**.  
The programmed after-call period is taken over.

### **i Note:**

*Should a second alarm time be pending during an activated snooze function, the second alarm time will eventually switch itself on and, if need be, the snooze function must once again be reactivated.*

## Adjusting the display brightness

Mains power operation:

1. Press the button **SNOOZE/DISPLAY DIMMER** at intervals of 2 seconds.  
The display brightness changes itself as follows:  
Bright>Medium>Dark>Bright

### **Battery operation:**

To save energy, the display illumination is deactivated in battery operation.

1. Press the button **SNOOZE/DISPLAY DIMMER**.

The display is illuminated for ca. five seconds.

### **Projection of the time**

For the time display to be well visible on a wall or ceiling, the room must be darkened.

### **Important:**

The time display projection is created with an LED.

NEVER look directly at the lightbeam. NEVER direct the lightbeam at other people or animals.

### **Mains power operation:**

1. Press the button **PROJECTION ON/OFF**.

The projection lens glows permanently.

2. Swivel the projection lens in the desired direction.

The time is projected onto the selected position. The projection distance ranges from ca. 0,4 m to 4,0 m

3. Adjust the sharpness of the projection with the slider **FOCUS**.

You can turn the projection of the time through ca. 90° with infinite variability.

4. Turn the adjustment wheel **ROTATE PROJECTION**.

You can turn or mirror the projection of the time through 180°.

5. Press the button **PROJECTION REVERSE**.

6. To switch the projection off, press the button **PROJECTION ON/OFF** once again. The projection lens extinguishes.

### **Battery operation:**

1. Press the button **PROJECTION ON/OFF**.  
The projection lens glows for ca. five seconds.

## **Using the radio**

---

### **Switching On and Off**

1. Press the button **RADIO ON/OFF** to switch the radio on.
2. Press the button **RADIO ON/OFF** again to switch the radio off.

### **Adjusting the volume**

If you wish to adjust the volume in one sweep, hold the appropriate button down continuously. If you wish to adjust the volume in stages, repeatedly press the appropriate button in succession.

1. To raise the volume, press the button **AL1/VOL+**.
2. To reduce the volume, press the button **AL2/VOL-**.

### **Selecting a waveband**

1. To select a waveband (FM/AM), press the button **BAND**.  
You can improve the reception of radio stations in the VHF (FM) frequency range.
2. Move the wire aerial slowly in various directions. When optimal reception is finally made, secure the wire aerial in this position.  
For the reception of medium wave (AM) radio stations an aerial is integrated into the appliance.
3. To improve AM reception, change the position of the appliance when the radio is on.

## Station search

1. Press briefly either the button **UP** or **DOWN**.  
The search starts and stops automatically when a radio station with sufficient reception strength is found.
2. To continue the search, press the button **UP** or **DOWN** and keep it held down for a short period.
3. To discontinue the search, press the button **UP** or **DOWN** and keep it held down for a short period.

To make fine adjustments in the event of difficult reception conditions, proceed as follows:

1. Press the button **UP** for a short period.  
The reception frequency is raised.
2. Press the button **DOWN** for a short period.  
The reception frequency is lowered.

## Saving radio stations

When you have found a radio station that you would like to save:

1. Press the button **MEMORY KEY LOCK**.  
A signal tone sounds and the display of the saving positions blinks.

### **Note:**

*Complete the following steps within 15 seconds. Otherwise, the appliance automatically saves the radio station to the displayed save position. When the radio station is saved, two signal tones sound.*

2. Press one of the five buttons **MEM.**, to determine which saving position from 1...10 is to be used.

### **ⓘ Note:**

The buttons **MEM.** are double occupied. With each activation you alternate between the two occupancies (e.g. between 1 and 5).

3. Press the button **MEMORY KEY LOCK** again.  
The signal tone sounds twice and the radio station is saved.  
Repeat the steps 1-3 to save further radio stations.

### **Selecting a saved radio station**

With the five buttons **MEM.** You can select two radio stations per wave-band.

1. Press the button **MEM.** 1/6.  
A signal tone sounds. The radio station saved on save position 1 is played.
2. Press the button **MEM.** 1/6 again.  
A signal tone sounds. The radio station saved on save position 6 is played.

### **AMS function**

The appliance is fitted with an automatic radio station save function. You can save ten radio stations per waveband. The radio is switched on.

1. Press the button **MEM SCAN/A.M.S.** for ca. two seconds.  
The appliance now auto-matically saves the radio stations with sufficient reception strength to the save positions. The **AMS** function ends as soon as all save positions for the respective wave-length are occupied.

## Brief playback of all saved radio stations

You can briefly playback all radio stations saved to a wavelength.  
The radio is switched on.

1. Press the button **MEM SCAN/A.M.S.**  
The saved radio stations are each played for four seconds.
2. To cancel the function, press the button **SNOOZE /DISPLAY DIMMER.**

## Button lock

You can lock all buttons against activation.

1. Press the button **MEMORY KEY LOCK** for ca. two seconds.  
In the display the **BUTTON LOCK** symbol appears.  
The buttons are locked against inadvertant activation.
2. To cancel the function, press the button **MEMORY KEY LOCK** for ca. two seconds.

The **BUTTON LOCK** symbol is no longer displayed. The buttons can be activated again.

## Sleep function

You can programme in a time at which the radio switches itself off.

You can select a time between 15 and 90 minutes.

The radio is switched off.

1. Press the button **SLEEP.**  
The symbol **SLEEP** appears in the display.
2. Press the button **SLEEP** for ca. two seconds.  
The display **SL:90** blinks.
3. Press the button **SLEEP** repeatedly until the de-sired time is shown.  
With each press of the button the switch-off time is reduced by 15 minutes.

## Troubleshooting

To eliminate a malfunction of the display, proceed as follows:

1. Press the Reset-button with a pointed object, e.g. a ballpoint pen.  
The appliance returns to its factory settings. All adjustments made by yourself are erased.

## Cleaning the appliance

---

### **Important:**

NEVER use benzine, solvents or cleaners that can cause damage to plastics, as they could damage the appliance!

- Keep the appliance and the ventilation openings clean at all times.
- Fluids may not, under any circumstances, penetrate into the interior of the appliance
- Never use aggressive cleaners.
- For cleaning the housing and the display use a soft and slightly moist cloth.

# Disposal

---



**Do not dispose of the appliance in your normal domestic waste. This product is subject to the European guideline 2002/96/EC.**

Dispose of the appliance through an approved disposal centre or at your community waste facility.

Observe the currently applicable regulations.

In case of doubt, please contact your waste disposal centre.

## Battery disposal!

Batteries may not be disposed of with normal domestic waste. All consumers are statutorily obliged to dispose of batteries at the collection point in their community/district or with the original supplier.

The purpose of this obligation is to ensure that batteries can be disposed of in an environmentally friendly manner. Only dispose of batteries when they are fully discharged.



Dispose of all packaging materials in an environmentally friendly manner.



## Warranty and Service

---

You receive a 3-year warranty on this device from the date of purchase. If, in spite of our high quality standards, you have reason to complain about this device, please contact our service hotline.

If it is not possible to deal with your complaint by phone, they will provide

- a processing number (RMA number) and
- an address where you can send your product for repairs under the warranty.

If you send the device please enclose a copy of the proof of purchase (till receipt). The device must be packaged securely for transport and the RMA number must be directly visible. Shipments without an RMA number can not be processed.

### **Note:**

*The warranty applies to material or manufacturing faults.*

*The warranty does not apply to*

- *parts subject to wear and tear*
- *damage to breakable parts such as switches and rechargeable batteries.*

The product is only designed for private and not commercial use. Improper handling and usage not in accordance with the intended purpose, use of force and any interventions that are not carried out by our authorised service centre will render the warranty null and void. This warranty does not affect your legal rights.

# Importer

---

KOMPERNASS GMBH  
BURGSTRASSE 21  
D-44867 BOCHUM

[www.kompernass.com](http://www.kompernass.com)

Complete this section in full and enclose with the device!

**SilverCrest**

**PLL CLOCK RADIO  
KH 2217**

**In order to ensure free repairs, please contact our service hotline. Ensure that you have your receipt with you.**

Please write sender's details clearly:

Name \_\_\_\_\_

First name \_\_\_\_\_

Street \_\_\_\_\_

Postal code/city or town \_\_\_\_\_

Country \_\_\_\_\_

Telephone \_\_\_\_\_

Date/signature \_\_\_\_\_

**Warranty**

(GB)

**DES Ltd**

Units 14-15

Bilston Industrial Estate

Oxford Street

Bilston

WV14 7EG

Tel: 0870/787-6177

Fax: 0870/787-6168

e-mail: support.uk@kompernass.com

(IE)

**Irish Connection**

Harbour view

Howth

Co. Dublin

Tel: 00353 (0) 87 99 62 077

Fax: 00353 18398056

e-mail: support.ie@kompernass.com

[www.mysilvercrest.de](http://www.mysilvercrest.de)

