



Illustrated Parts Book



SNOW THROWERS

Model Nos.

317-140-000

317E140-000

317-150-000

317E150-000

317E152-000

1997

Index on Page 2

MTD PRODUCTS INC • P.O. BOX 368022 • CLEVELAND, OHIO 44136-9722

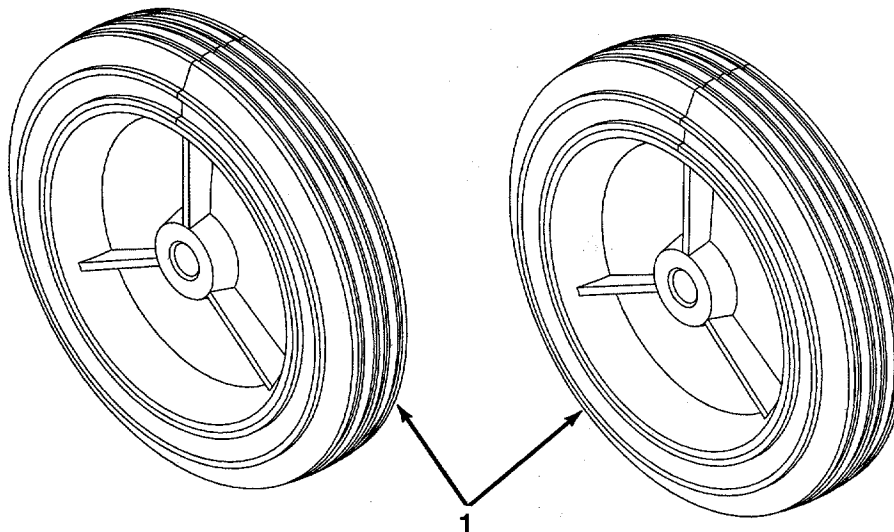
PRINTED IN U.S.A.

FORM NO. 770-97-9A

SINGLE STAGE SNOW THROWERS

| Model No. | Page | Model No. | Page |
|-----------------------|------|-----------------------|------|
| 317-140-000 | | 317E150-000 | |
| Chassis | 4, 5 | Chassis..... | 4, 5 |
| Cover & Dash | 6 | Cover & Dash | 7 |
| Engine & V-Belt | 9 | Engine & V-Belt | 12 |
| Upper Handle..... | 3 | Upper Handle | 3 |
| Wheels..... | 2 | Wheels..... | 2 |
| 317E140-000 | | 317E152-000 | |
| Chassis | 4, 5 | Chassis..... | 4, 5 |
| Cover & Dash | 6 | Cover & Dash | 8 |
| Engine & V-Belt | 10 | Engine & V-Belt | 12 |
| Upper Handle..... | 3 | Upper Handle | 3 |
| Wheels..... | 2 | Wheels..... | 2 |
| 317-150-000 | | | |
| Chassis | 4, 5 | | |
| Cover & Dash | 7 | | |
| Engine & V-Belt | 11 | | |
| Upper Handle..... | 3 | | |
| Wheels..... | 2 | | |

Model Nos.
317-140-000
317E140-000
317-150-000
317E150-000
317E152-000

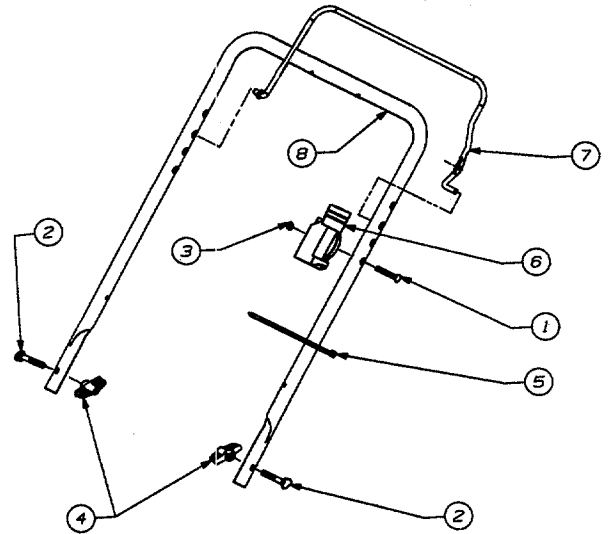


| REF. NO. | PART NO. | DESCRIPTION | QTY. |
|----------|----------|---------------------|------|
| 1 | 734-1176 | Wheel Ass'y.—White | 2 |
| | 734-1799 | Wheel Ass'y.—Yellow | 2 |

*Special Order
 Commander
 704-5484*

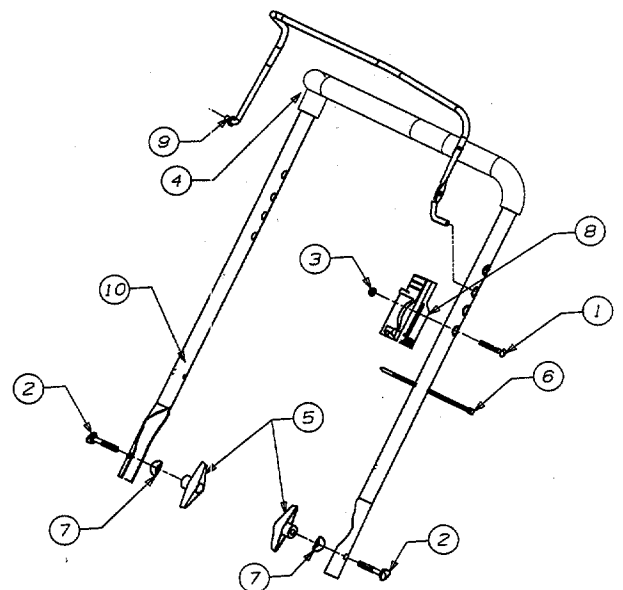
Model Nos.
317-140-000
317E140-000
317-150-000
317E150-000

| REF. NO. | PART NO. | DESCRIPTION | QTY. |
|----------|----------|-----------------------|------|
| 1 | 710-1270 | Screw—Oval C-Sink L | 1 |
| 2 | 710-1174 | Bolt Carriage | 2 |
| 3 | 712-0324 | Nut Insl. Lock | 1 |
| 4 | 720-0276 | Knob—Handle | 2 |
| 5 | 725-0157 | Tie Cable | 1 |
| 6 | 746-0883 | Body—Lever Control | 1 |
| 7 | 747-0946 | Handle Ass'y. Control | 1 |
| 8 | 749-0705 | Handle—Upper | 1 |

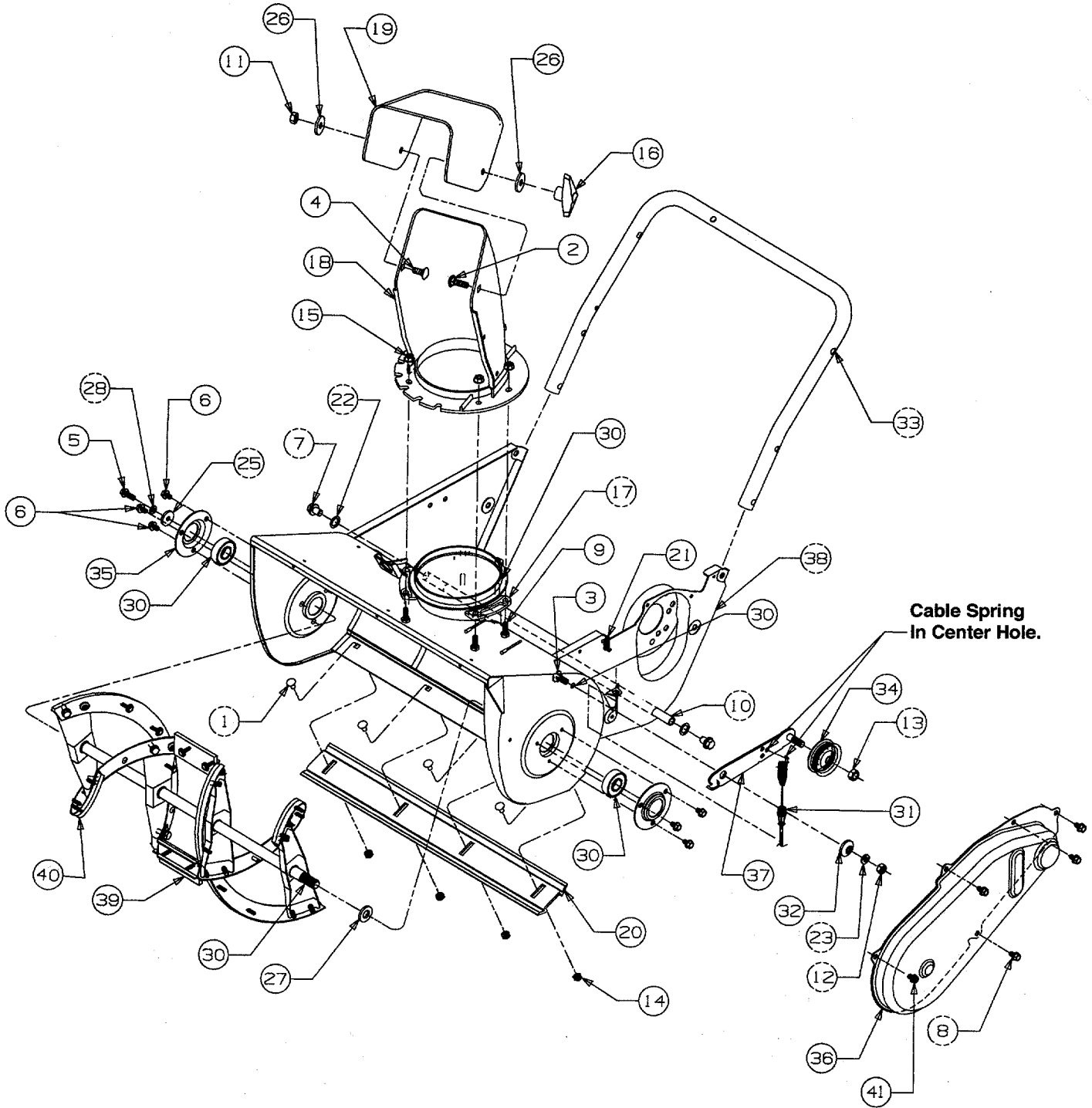


Model No.
317E152-000

| REF. NO. | PART NO. | DESCRIPTION | QTY. |
|----------|-----------|-----------------------|------|
| 1 | 710-1270 | Screw—Oval C-Sink L | 1 |
| 2 | 710-1174 | Bolt—Carriage | 2 |
| 3 | 712-0324 | Nut Insl. Lock | 1 |
| 4 | 720-0295 | Grip Foam | 1 |
| 5 | 720-0284 | Knob Handle | 2 |
| 6 | 725-0157 | Tie Cable | 1 |
| 7 | 736-0451 | Washer Saddle | 2 |
| 8 | 746-0883 | Body—Lever Control | 1 |
| 9 | 747-0956 | Handle Ass'y. Control | 1 |
| 10 | 749-0711A | Handle—Upper | 1 |



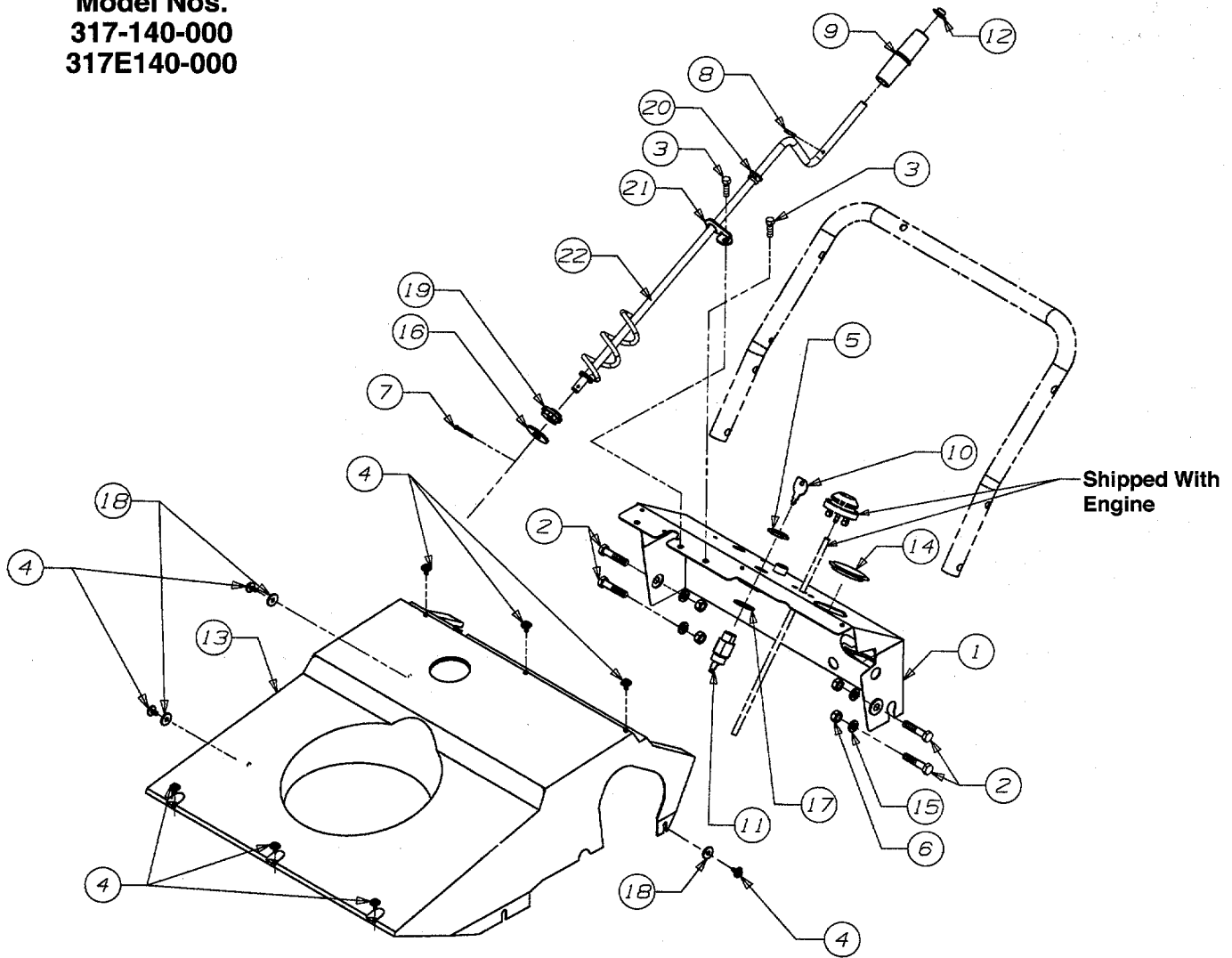
Model Nos.
317-140-000
317E140-000
317-150-000
317E150-000
317E152-000



Model Nos.
317-140-000
317E140-000
317-150-000
317E150-000
317E152-000

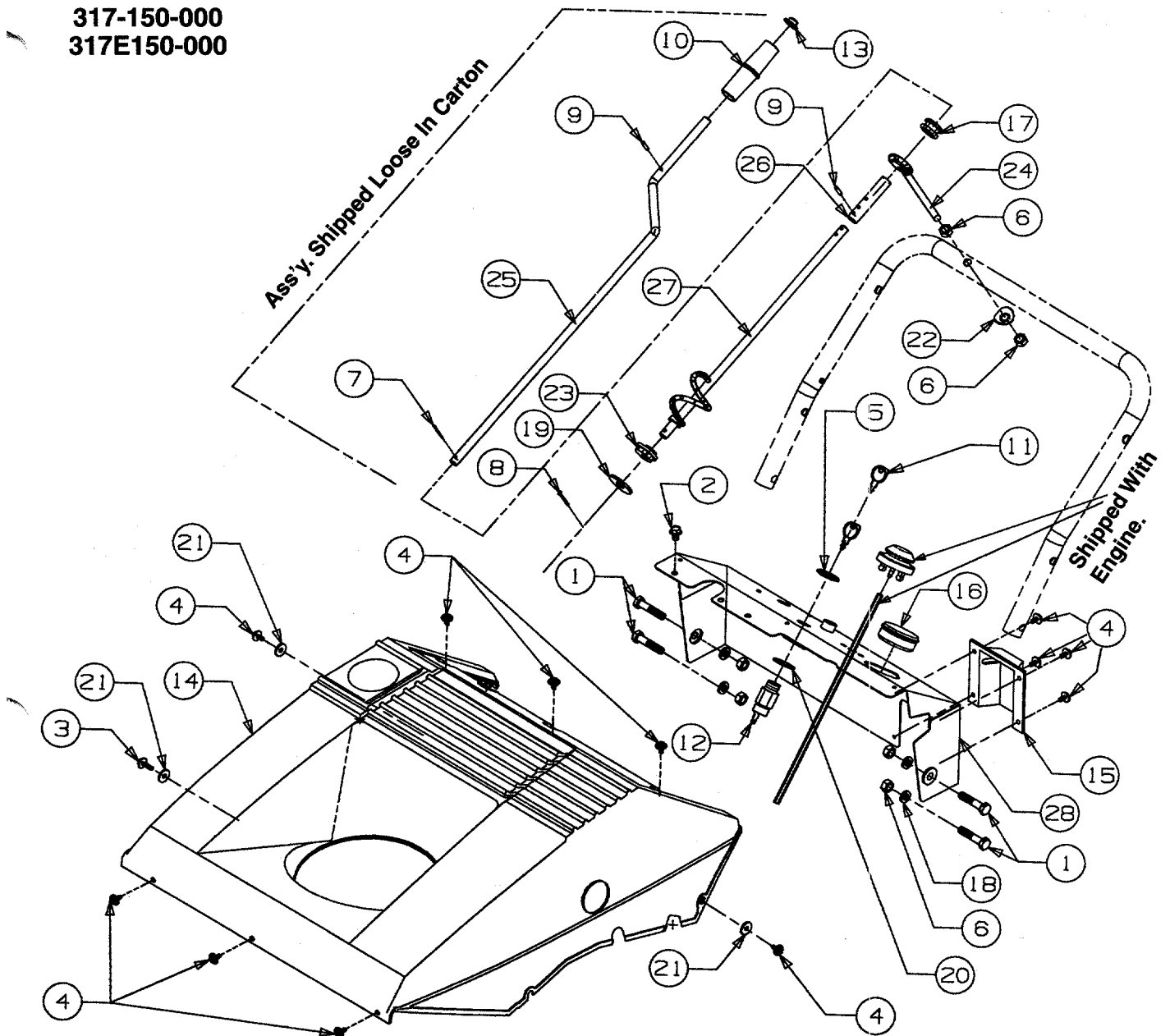
| REF. NO. | PART NO. | DESCRIPTION | QTY. | REF. NO. | PART NO. | DESCRIPTION | QTY. |
|----------|-----------|----------------------|------|----------|-----------|--------------------------|------|
| 1 | 710-0167 | Bolt—Carriage | 4 | 22 | 736-0108 | Washer—Flat | 2 |
| 2 | 710-0276 | Bolt—Carriage | 1 | 23 | 736-0119 | Washer—Lock | 1 |
| 3 | 771-0323 | Screw—Pan Head | 1 | 24 | 736-0173 | Washer—Flat | 4 |
| 4 | 710-0451 | Bolt—Carriage | 1 | 25 | 736-0176 | Washer—Flat | 1 |
| 5 | 710-0642 | Screw—Hex Washer | 1 | 26 | 736-0231 | Washer | 2 |
| 6 | 710-1005 | Screw—Hex Washer | 6 | 27 | 736-0326 | Washer—Flat | 1 |
| 7 | 710-0773 | Screw—Hex Washer | 2 | 28 | 736-0329 | Washer—Lock | 1 |
| 8 | 710-0896 | Screw—Hex Washer | 4 | 29 | 737-0133 | Grease | 1 |
| 9 | 710-3015 | Screw—Hex Cap | 6 | 30 | 741-0600 | Ball Bearing | 2 |
| 10 | 711-0848 | Axle | 1 | 31 | 746-0910A | Cable—Clutch | 1 |
| 11 | 712-3068 | Nut—Hex Center Lock | 1 | 32 | 748-0234 | Spacer—Shoulder | 1 |
| 12 | 712-0267 | Nut—Hex | 1 | 33 | 749-0796 | Handle—Lower | 1 |
| 13 | 712-0296 | Nut—Hex Lock | 1 | 34 | 756-0313 | Idler—Flat | 1 |
| 14 | 712-0298 | Nut—Hex Jam | 4 | 35 | 784-5174 | Cup—Bearing | 2 |
| 15 | 712-3027 | Nut—Hex Lock Flanged | 6 | 36 | 784-5176 | Cover—Belt | 1 |
| 16 | 720-0284 | Knob | 1 | 37 | 784-5180B | Bracket—Idler/Brake | 1 |
| 17 | 731-0851A | Keeper—Chute | 3 | 38 | 784-5325D | Housing—Blower | 1 |
| 18 | 731-0915B | Chute—Lower | 1 | 39 | 784-5485 | Auger Ass'y. Comp. | 1 |
| 19 | 731-0921 | Chute—Upper | 1 | 40 | 753-0613 | Auger Rubber Replacement | 1 |
| 20 | 731-1033 | Shave Plate | 1 | 41 | 710-0352 | Screw—Hex Washer | 1 |
| 21 | 732-0357A | Spring—Extension | 1 | | | | |

Model Nos.
317-140-000
317E140-000



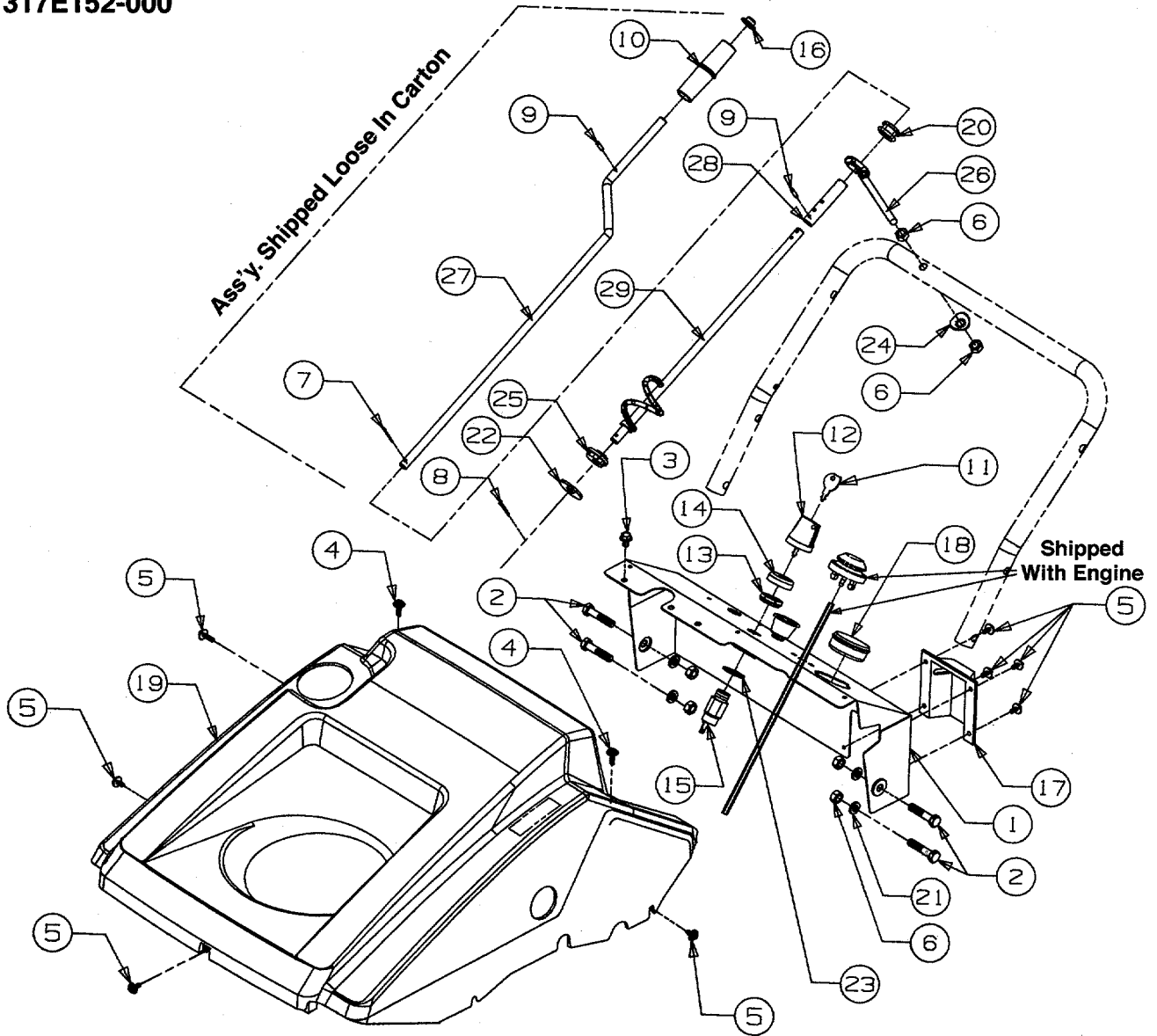
| REF. NO. | PART NO. | DESCRIPTION | QTY. | REF. NO. | PART NO. | DESCRIPTION | QTY. |
|----------|-----------|------------------|------|----------|-----------|----------------------|------|
| 1 | 684-0056 | Dash—21" | 1 | 12 | 726-0100 | Nut Push | 1 |
| 2 | 710-0442 | Screw—Hex | 4 | 13 | 731-0702 | Shroud | 1 |
| 3 | 710-0895 | Screw—Hex Tap | 2 | 14 | 731-0732 | Plug | 1 |
| 4 | 710-1268 | Screw—Hex Tap | 9 | 15 | 736-0119 | Washer Lock | 4 |
| 5 | 712-0252 | Nut Hex | 1 | 16 | 736-0133 | Washer Flat | 1 |
| 6 | 712-0267 | Nut—Hex | 4 | 17 | 736-0225 | Washer Internal Lock | 1 |
| 7 | 714-0474 | Pin—Cotter | 1 | 18 | 736-0400 | Washer Flat | 3 |
| 8 | 715-0138 | Pin Roll | 1 | 19 | 741-0403 | Bushing Hex | 1 |
| 9 | 720-0201A | Knob—Chute Crank | 1 | 20 | 741-0475 | Bushing | 1 |
| 10 | 725-0201 | Key—Ignition | 2 | 21 | 784-5178A | Bracket Chute Crank | 1 |
| 11 | 725-1425 | Switch—Key | 1 | 22 | 784-5344 | Crank Ass'y. Chute | 1 |

Model Nos.
317-150-000
317E150-000



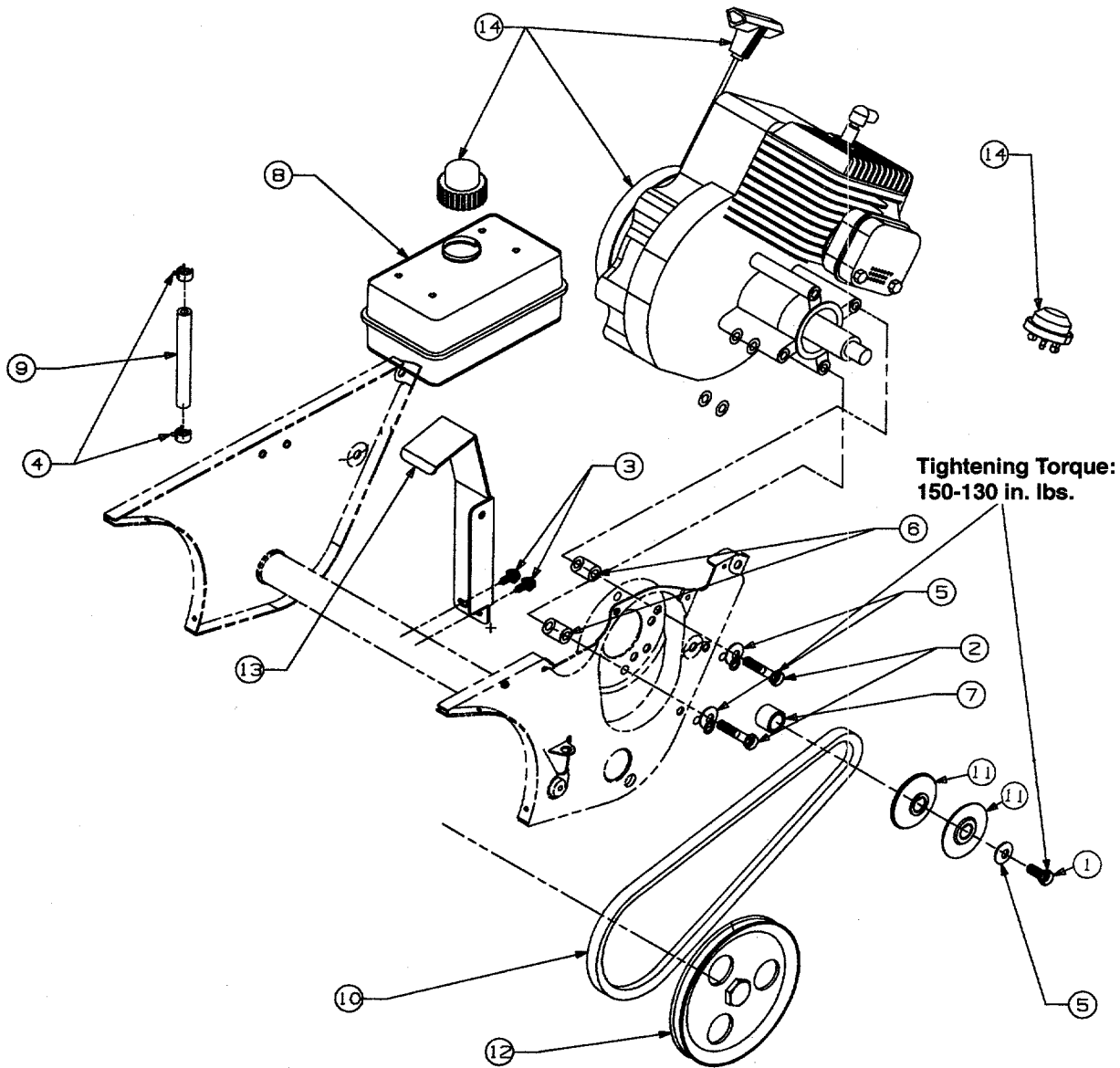
| REF. NO. | PART NO. | DESCRIPTION | QTY. | REF. NO. | PART NO. | DESCRIPTION | QTY. |
|----------|-----------|------------------|------|----------|----------|-----------------------|------|
| 1 | 710-0442 | Screw—Hex | 4 | 15 | 731-1089 | Cover—Choke | 1 |
| 2 | 710-0653 | Screw—Hex Washer | 1 | 16 | 731-1133 | Plug—Insert | 1 |
| 3 | 710-1003 | Screw—Hex | 1 | 17 | 735-0234 | Grommet—Rubber | 1 |
| 4 | 710-1268 | Screw—Hex | 12 | 18 | 736-0119 | Washer—Lock | 4 |
| 5 | 712-0252 | Nut—Jam | 1 | 19 | 736-0133 | Washer—Flat | 1 |
| 6 | 712-0267 | Nut—Hex | 6 | 20 | 736-0225 | Washer—Lock-Internal | 1 |
| 7 | 714-0111 | Pin—Cotter | 1 | 21 | 736-0400 | Washer—Flat | 3 |
| 8 | 714-0474 | Pin—Cotter | 1 | 22 | 736-0451 | Washer—Saddle | 1 |
| 9 | 715-0138 | Pin Roll | 2 | 23 | 741-0403 | Bushing—Hex | 1 |
| 10 | 720-0201A | Knob | 1 | 24 | 747-0697 | Eyebolt—Chute Crank | 1 |
| 11 | 725-0201 | Key—Ignition | 2 | 25 | 747-0737 | Crank—Chute | 1 |
| 12 | 725-1425 | Switch | 1 | 26 | 750-0785 | Spacer | 1 |
| 13 | 726-0100 | Cap—Push | 1 | 27 | 784-5497 | Crank—Chute 13.5" Lg. | 1 |
| 14 | 731-1087 | Shroud—Black | 1 | 28 | 784-5572 | Dash | 1 |

**Model Nos.
317E152-000**



| REF. NO. | PART NO. | DESCRIPTION | QTY. | REF. NO. | PART NO. | DESCRIPTION | QTY. |
|----------|-----------|------------------------|------|----------|----------|----------------------|------|
| 1 | 784-5572 | Dash | 1 | 16 | 726-0100 | Cap—Push | 1 |
| 2 | 710-0442 | Screw—Hex Cap | 4 | 17 | 731-1089 | Cover—Choke | 1 |
| 3 | 710-0653 | Screw—Hex Washer | 1 | 18 | 731-1133 | Plug—Insert | 1 |
| 4 | 710-1003 | Screw—Hex | 2 | 19 | 731-1765 | Shroud—Black | 1 |
| 5 | 710-1268 | Screw—Hex | 8 | 20 | 735-0234 | Grommet—Rubber | 1 |
| 6 | 712-0267 | Nut—Hex | 6 | 21 | 736-0119 | Washer—Lock | 4 |
| 7 | 714-0111 | Pin—Cotter | 1 | 22 | 736-0133 | Washer—Flat | 1 |
| 8 | 714-0474 | Pin—Cotter | 1 | 23 | 736-0225 | Washer—Lock Internal | 1 |
| 9 | 715-0138 | Pin—Roll | 2 | 24 | 736-0451 | Washer—Saddle | 1 |
| 10 | 720-0201A | Knob | 1 | 25 | 741-0403 | Bushing—Hex | 1 |
| 11 | 725-0201 | Key—Ignition | 1 | 26 | 747-0697 | Eyebolt—Chute Crank | 1 |
| 12 | 725-1341B | Key—Ignition with Logo | 1 | 27 | 747-0737 | Crank—Chute Upper | 1 |
| 13 | 725-1346 | Nut—Ignition Switch | 1 | 28 | 750-0785 | Spacer | 1 |
| 14 | 725-1347 | Cover—Ignition Switch | 1 | 29 | 784-5497 | Crank—Chute Lower | 1 |
| 15 | 725-1425 | Switch—Key | 1 | | | | |

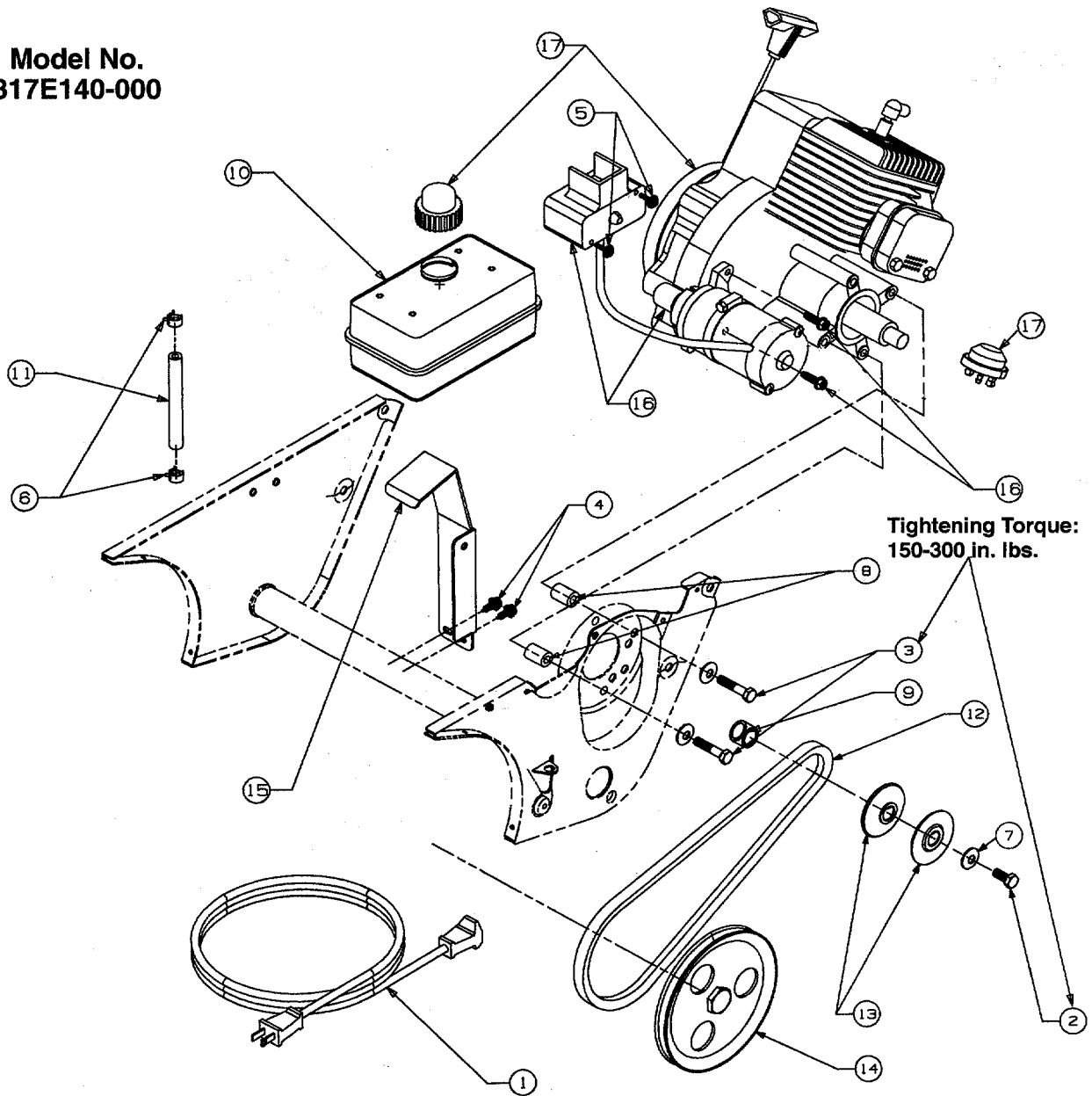
**Model No.
317-140-000**



**Tightening Torque:
150-130 in. lbs.**

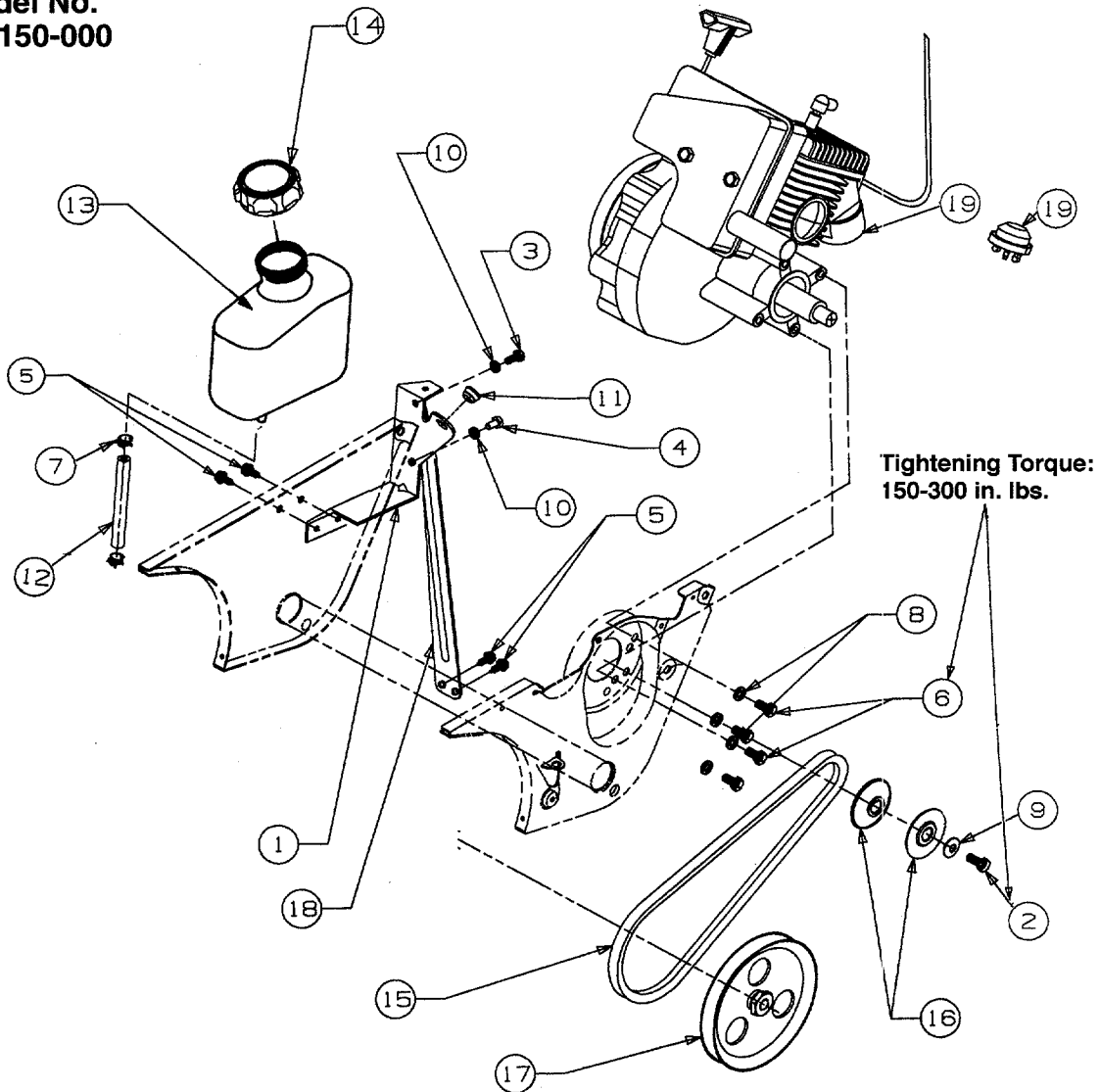
| REF. NO. | PART NO. | DESCRIPTION | QTY. |
|----------|-------------|---------------------------------|------|
| 1 | 710-0157 | Screw—Hex Cap | 1 |
| 2 | 710-0442 | Screw—Hex Cap | 4 |
| 3 | 710-0896 | Screw—Washer | 2 |
| 4 | 726-0205 | Clamp—Hose | 2 |
| 5 | 736-0242 | Washer—Bell | 5 |
| 6 | 750-0589 | Spacer | 4 |
| 7 | 750-0716 | Spacer | 1 |
| 8 | 751-0352 | Tank—Fuel | 1 |
| 9 | 751-0535-12 | Hose—Fuel 12" | 1 |
| 10 | 754-0367 | V-Belt | 1 |
| 11 | 756-0416B | V-Pulley Half | 2 |
| 12 | 756-0550 | Pulley | 1 |
| 13 | 784-5177 | Engine Support Bracket | 1 |
| 14 | | Obtain from Engine Manufacturer | 1 |

**Model No.
317E140-000**



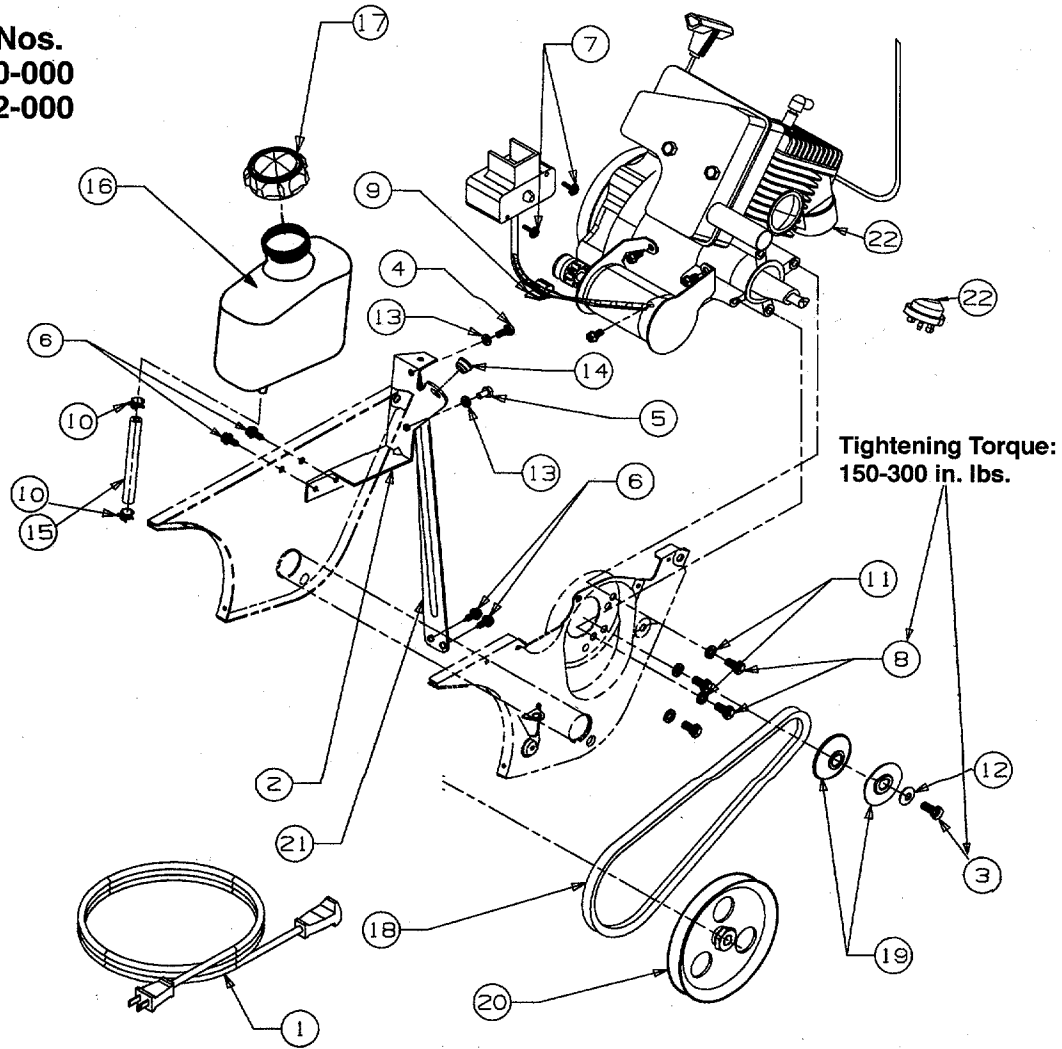
| REF. NO. | PART NO. | DESCRIPTION | QTY. |
|----------|-------------|------------------------------------|------|
| 1 | 629-0236 | Cord—Extension 110V3M 2 Prong | 1 |
| 2 | 710-0157 | Screw—Hex Cap | 1 |
| 3 | 710-0442 | Screw—Hex Cap | 4 |
| 4 | 710-0896 | Screw—Washer | 2 |
| 5 | 710-1003 | Screw—Hex | 2 |
| 6 | 726-0205 | Hose Clamp | 2 |
| 7 | 736-0242 | Washer—Bell | 5 |
| 8 | 750-0589 | Spacer | 4 |
| 9 | 750-0716 | Spacer | 1 |
| 10 | 751-0352 | Tank—Fuel 1 Qt. | 1 |
| 11 | 751-0535-12 | Hose—Fuel 12" | 12 |
| 12 | 754-0367 | V-Belt | 1 |
| 13 | 756-0416B | V-Pulley Half | 2 |
| 14 | 756-0550 | Pulley | 1 |
| 15 | 784-5177 | Engine Support Bracket | 1 |
| 16 | 390-697-000 | Electric Starter Kit | 1 |
| 17 | | Obtain from Engine Manufacturer | 1 |

**Model No.
317-150-000**



| REF. NO. | PART NO. | DESCRIPTION | QTY. |
|----------|-------------|---------------------------------|------|
| 1 | 705-5139 | Bracket—Support Gas Tank | 1 |
| 2 | 710-0157 | Screw—Hex Cap | 1 |
| 3 | 710-0258 | Screw—Hex Cap | 1 |
| 4 | 710-0289 | Screw—Hex | 1 |
| 5 | 710-0896 | Screw—Washer | 4 |
| 6 | 710-3025 | Screw—Hex Cap | 4 |
| 7 | 726-0205 | Clamp—Hose | 2 |
| 8 | 736-0119 | Washer—Lock | 4 |
| 9 | 736-0242 | Washer—Bell | 1 |
| 10 | 736-0329 | Washer—Lock | 2 |
| 11 | 741-0475 | Bushing—Plastic | 1 |
| 12 | 751-0535-16 | Hose—Fuel Line 16" | 1 |
| 13 | 751-0540 | Tank—Fuel 2 Qt. | 1 |
| 14 | 751-0603 | Cap—Fuel | 1 |
| 15 | 754-0101A | V-Belt | 1 |
| 16 | 756-0416B | V-Pulley Half | 2 |
| 17 | 756-0475 | Pulley | 1 |
| 18 | 784-5603 | Brace—Fuel Tank | 1 |
| 19 | | Obtain from Engine Manufacturer | 1 |

Model Nos.
317E150-000
317E152-000



| REF. NO. | PART NO. | DESCRIPTION | QTY. |
|----------|-------------|---------------------------------|------|
| 1 | 629-0236 | Cord—Extension 110V3M 2 Prong | 1 |
| 2 | 705-5139 | Bracket—Support Fuel Tank | 1 |
| 3 | 710-0157 | Screw—Hex Cap | 1 |
| 4 | 710-0258 | Screw—Hex Cap | 1 |
| 5 | 710-0289 | Screw—Hex | 1 |
| 6 | 710-0896 | Screw—Washer | 4 |
| 7 | 710-1003 | Screw—Hex | 2 |
| 8 | 710-3025 | Screw—Hex Cap | 4 |
| 9 | 726-0152 | Clamp—Mounting | 1 |
| 10 | 726-0205 | Clamp—Hose | 2 |
| 11 | 736-0119 | Washer—Lock | 4 |
| 12 | 736-0242 | Washer—Bell | 1 |
| 13 | 736-0329 | Washer—Lock | 2 |
| 14 | 741-0475 | Bushing—Plastic | 1 |
| 15 | 751-0535-16 | Hose—Fuel Line 16" | 1 |
| 16 | 751-0540 | Tank—Fuel 2 Qt. | 1 |
| 17 | 751-0603 | Cap—Fuel | 1 |
| 18 | 754-0101A | V-Belt | 1 |
| 19 | 756-0416B | V-Pulley Half | 2 |
| 20 | 756-0475 | Pulley | 1 |
| 21 | 784-5603 | Brace—Fuel Tank | 1 |
| 22 | | Obtain from Engine Manufacturer | 1 |