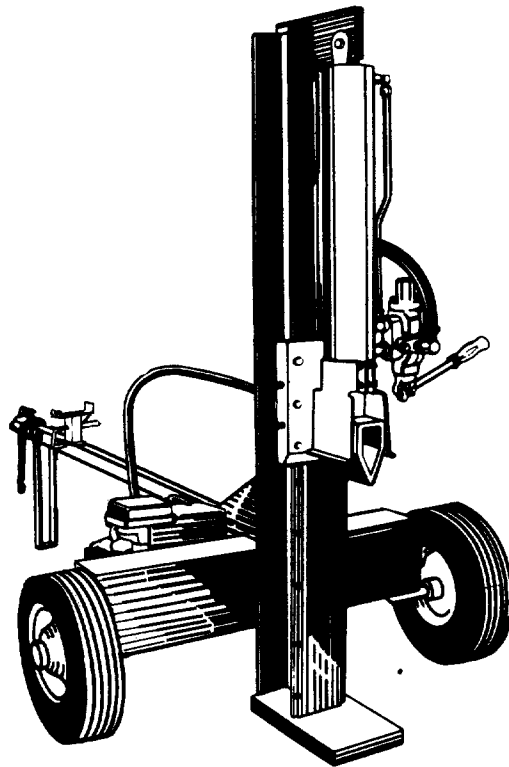




Illustrated Parts Book



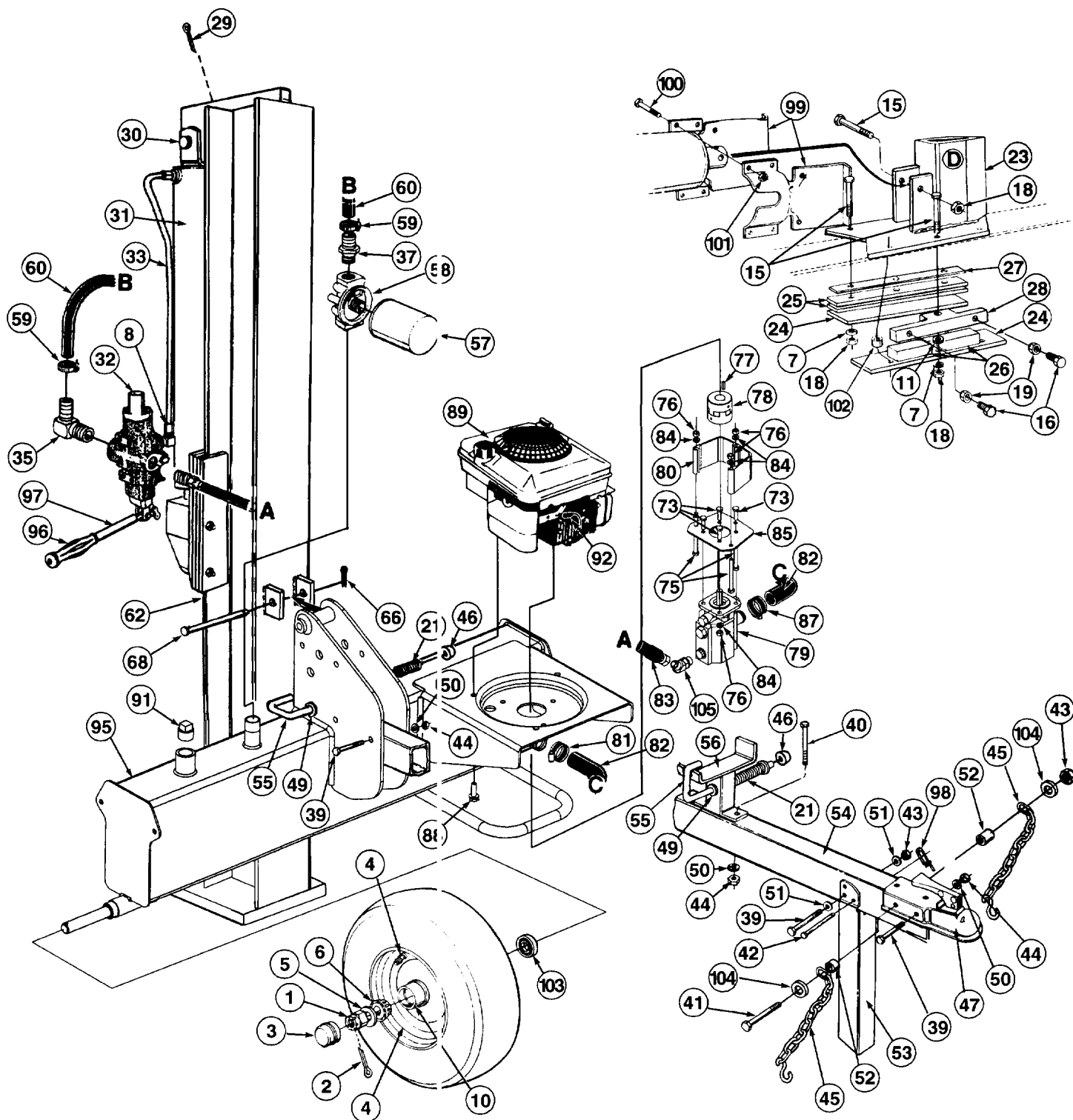
LOG SPLITTERS

Model Number	Pages
500, 501	2, 3
522, 523	4, 5
552, 554	6, 7
555, 556	6, 7
585, 586	8, 9

1997

MTD PRODUCTS INC • P.O. BOX 368022 • CLEVELAND, OHIO 44136-9722

Models 500 and 501



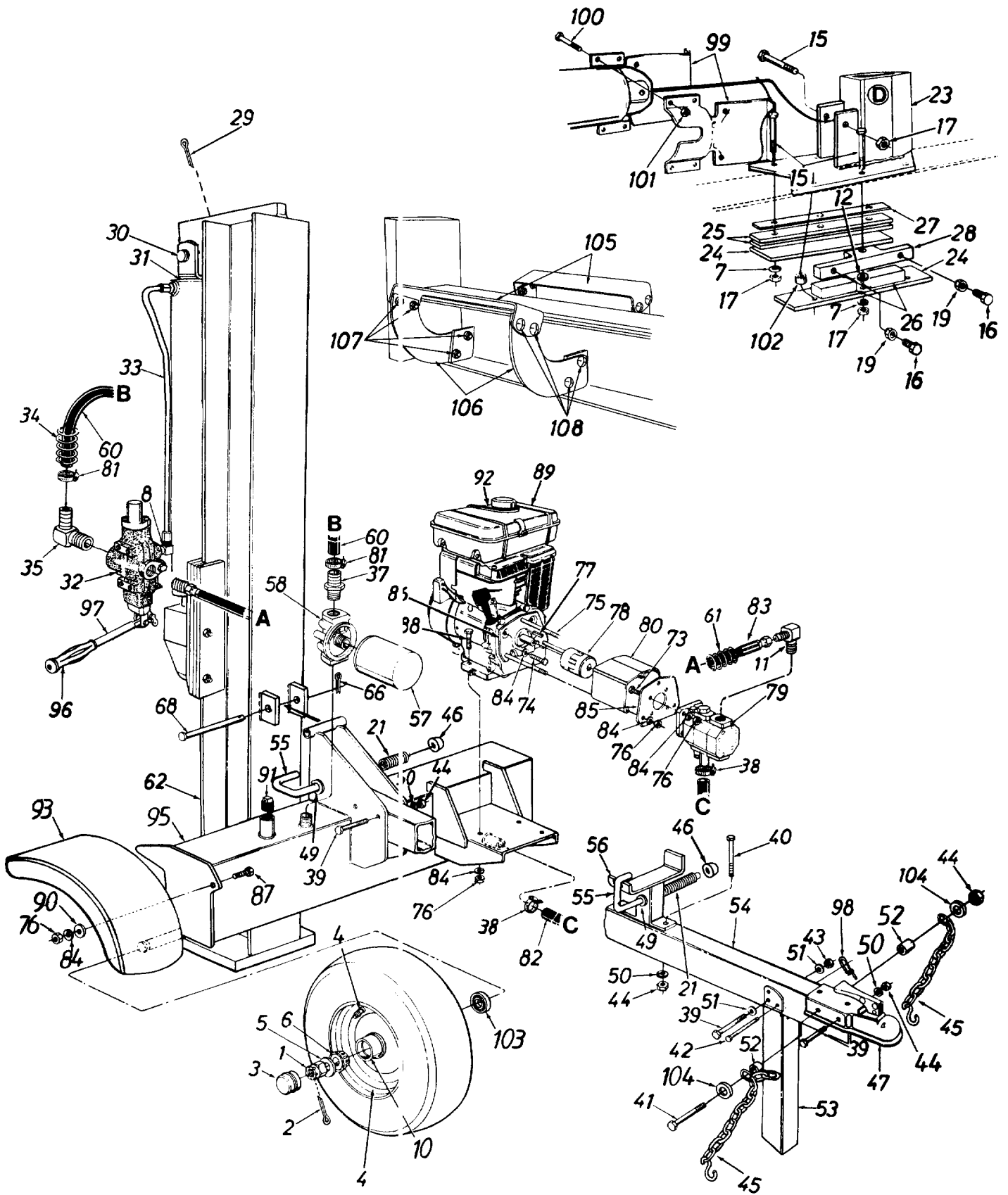
Models 500 and 501

PARTS LIST FOR MODELS 500 AND 501 LOG SPLITTERS

PART NO.	CODE	DESCRIPTION	REF. NO.	PART NO.	CODE	DESCRIPTION
712-0359		Slotted Nut 3/4-16 Thd.	49	736-0116		FI-Wash. .635" I.D. x .93" O.D.
714-0162		Cotter Pin 5/32" Dia. x 1-1/4" Lg.	50	736-0169		L-Wash. 3/8" I.D.*
734-0873		Hub Cap	51	736-0185		FI-Wash. .406" I.D. x .75" O.D.
734-1016		Wheel Ass'y. Comp.	52	750-0497		Spacer 3/8" I.D. x .625" O.D.
734-0872		Tire Only	53	781-0162		Jack Stand
734-1017		Rim Only	54	781-0680	N	Tongue Tube
721-0168		Bearing Seal Only	55	781-0690	N	Locking Rod
734-0255		Air Valve Only	56	781-0398		Beam Support Ass'y.
736-0351		FI-Wash. .76" I.D. x 1.5" O.D.	57	723-0405		Filter Element
741-3028		Bearing Cone	58	723-0406		Filter Head
736-0921		L-Wash. 1/2" I.D.*	59	726-0132		Hose Clamp 5/8"
737-0192		90° Solid Male Adapter	60	727-0443		Return Hose 3/4" I.D. x 44" Lg.
737-0238		Pipe Nipple 1/2 NPT	62	781-0093	N	Vertical Beam Ass'y.
741-3029		Bearing Cup	66	714-0470		Cotter Pin 1/8" Dia.
736-0192		FI-Wash. .531" I.D. x .94" O.D.	68	738-0805		Hinge Pin 1/2 x 4.8" Lg.
710-1018		Hex Bolt 1/2-20 x 2.75" Lg. (Grade 8)	73	710-0117		Hex Bolt 5/16-24 x 1" Lg.
			75	710-1338	N	Hex Bolt 5/16-24 x 3.25" Lg.
710-1032		Hex Bolt 3/8-24 x 1.5" Lg.	76	712-0123		Hex Nut 5/16-24 Thd.
712-0239		Hex L-Nut 1/2-20 Thd.	77	714-0122		Sq.-Key 3/16" x .75"
712-3001		Hex Jam Nut 3/8-24 Thd. (Grade 5)	78	718-0250A	N	Flexible Coupling
			79	717-0936		Gear Pump
732-0583		Comp. Spring 4" Lg.	80	719-0353	N	Coupling Shield
781-0323B		Wedge Ass'y.	81	726-0174		Hose Clamp
781-0537		Back Plate	82	735-0256		Suction Hose
781-0350A		Fixed Side Gib	83	727-0502		High Pressure Hydraulic Hose
781-0673	N	Adjustable Gib	84	736-0119		L-Wash. 5/16" I.D.*
781-0352A		Adjustable Gib Shim	85	781-0097		Rear Coupling Support Brkt.
781-0356		Floating Gib Plate	86	781-0098		Front Coupling Support Brkt.
714-0211	N	External Cotter Pin	88	710-0654A		Hex Wash Hd. TT-Tap Scr. 3/8-16 x 1" Lg.
715-1135	N	Cylinder Mounting Pin				Engine
718-0307	N	Hydraulic Cylinder	89	—		L-Vent Pipe Plug
717-0899		Control Valve	91	737-0236		Spark Plug Boot
727-0471	N	Metal Pressure Tube	92	735-0639		Tank Ass'y.
737-0153		Return Elbow	95	681-0092	N	Grip
737-0235		3/4" Hose Barb.	96	720-0235		Control Handle
710-0521	N	Hex Bolt 3/8-16 x 3" Lg.	97	747-0583		Spring Pin
710-0411		Hex Bolt 3/8-16 x 4" Lg.	98	732-0194		Stripper Plate
710-0944	N	Hex Bolt 3/8-16 x 4" Lg. (Grade 5)	99	781-0168A		Hex Bolt 3/8-16 x 2.0" Lg. (Gr. 5)
			100	710-3011		Hex L-Nut 3/8-16 Thd.
711-0813		Clevis Pin 5/16 x 2.5" Lg.	101	712-0130		Spacer 1/2" I.D. x .68" Lg.
712-0375		Hex L-Nut 3/8-16 Thd.	102	750-0743		Bearing Seal Only
712-0798		Hex Nut 3/8-16 Thd.*	103	721-0168		FI-Wash. 3/8" I.D. x .87" O.D.
713-0433		Chain—Tow Hitch	104	736-0262		45° Elbow
726-0214		Push Cap	105	737-0329	N	
727-0311		Hitch Coupler				

For faster service obtain standard nuts, bolts and washers locally.
If these items cannot be obtained locally, order by part number and size as shown on parts list.

Models 522 and 523



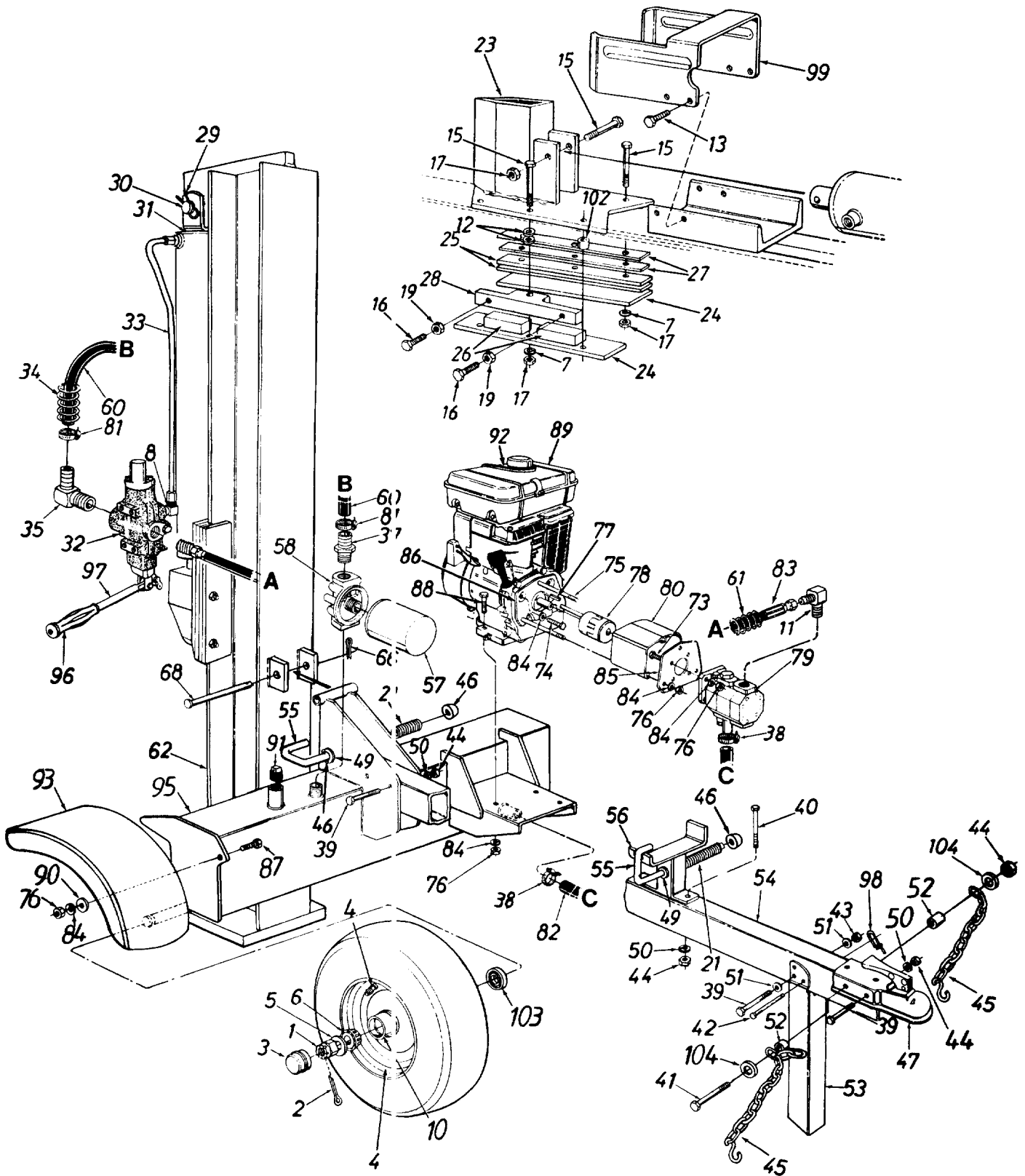
Models 522 and 523

PARTS LIST FOR MODELS 522 AND 523 LOG SPLITTERS

PART NO.	CODE	DESCRIPTION	REF. NO.	PART NO.	CODE	DESCRIPTION
712-0359		Slotted Nut 3/4-16 Thd.	53	781-0162		Jack Stand
714-0162		Cotter Pin 5/32" Dia.	54	781-0680		Tongue Tube
734-0873		Hub Cap	55	781-0690		Locking Rod
734-1016		Wheel Ass'y. Comp.	56	781-0398		Beam Support Ass'y.
734-0872		Tire Only	57	723-0405		Filter Element
734-1017		Rim Only	58	723-0406		Filter Head
734-0255		Air Valve Only	60	727-0443		Return Hose 3/4" I.D. x 44" Lg.
736-0351		FI-Wash. .76" I.D. x 1.5" O.D.	61	781-0538		Hose Guard (637)
741-3028		Bearing Cone	62	681-0102		Vertical Beam Ass'y. (523)
736-0921		L-Wash. 1/2" I.D.*		681-0093		Vertical Beam Ass'y. (522)
737-0192		90° Solid Male Adapter	66	714-0470		Cotter Pin 1/8" Dia.
741-3029		Bearing Cup	68	738-0805		Hinge Pin 1/2 x 4.8" Lg.
737-0265		90° Male Adapter	73	710-0117		Hex Bolt 5/16-24 x 1" Lg.
736-0192		FI-Wash. .531" I.D. x .94" O.D.	74	710-0237		Hex Bolt 5/16-24 x .62" Lg.
710-1018		Hex Bolt 1/2-20 x 2.75" Lg. (Grade 8)	75	710-0363		Hex Bolt 5/16-24 x 4" Lg.
			76	712-0123		Hex Nut 5/16-24 Thd.
710-1032		Hex Bolt 3/8-24 x 1.5" Lg.	77	714-0122		Sq. Key 3/16" x .75"
712-0239		Hex L-Nut 1/2-20 Thd.	78	717-0891		Flexible Coupling
712-3001		Hex Jam Nut 3/8-24 Thd. (Grade 5)	79	717-0936		Gear Pump
			80	719-0278		Coupling Shield
732-0583		Comp. Spring 4" Lg.	81	726-0132		Hose Clamp 5/8"
781-0323B		Wedge Ass'y.	82	727-0451		Suction Hose (523)
781-0537		Back Plate		727-0641		Suction Hose (522)
781-0350A		Fixed Side Gib	83	727-0502		High Pressure Hydraulic Hose 48"
781-0673		Adjustable Gib				
781-0352A		Adjustable Gib Shim	84	736-0119		L-Wash. 5/16" I.D.*
781-0356		Floating Gib Plate	85	781-0097		Rear Coupling Support Brkt.
714-0211		Cotter Pin	86	781-0098		Front Coupling Support Brkt.
711-1135		Cylinder Mounting Pin	87	710-0157		Hex Bolt 5/16-24 x .75" Lg.
718-0312		Hydraulic Cylinder	88	710-0409		Hex Bolt 5/16-24 x 1.75" Lg.
717-0899		Control Valve	89	—		Engine
727-0471		Metal Pressure Tube	90	736-0159		FI-Wash. .344" I.D. x .875" O.D.
781-0526		Hose Guard (637)	91	737-0236		L-Vent Pipe Plug
737-0153		Return Elbow	92	735-0639		Spark Plug Boot (Optional)
737-0235		3/4" Hose Barb.	93	781-0556		Fender (Optional)
726-0174		Hose Clamp	95	681-0103		Frame Weldment (523)
710-0521		Hex Bolt 3/8-16 x 3" Lg. (Grade 8)	96	681-0106		Frame Weldment (522)
			97	720-0235		Grip
710-0411		Hex Bolt 3/8-16 x 4" Lg.	97	747-0583		Control Handle
710-0944		Hex Bolt 3/8-16 x 4.25" Lg. (Grade 5)	98	732-0168A		Spring Pin
			99	781-0168A		Dislodger
711-0813		Clevis Pin 5/16 x 2.5" Lg.	100	710-3144		Hex Screw 3/8-16 x 2.0
712-0375		Hex L-Nut 3/8-16 Thd.	101	712-0130		Nut 3/8-16 Nylon Lock
712-0798		Hex Nut 3/8-16 Thd.	102	750-0750		Spacer 1/2" I.D. x .86" Lg.
713-0433		Chain—Tow Hitch	103	721-0168		Bearing Seal Only
726-0214		Push Cap	104	736-0262		FI-Wash. 3/8" I.D. x .87" O.D.
727-0311		Hitch Coupler	105	781-0682		Log Cradle
736-0116		FI-Wash. .635" I.D. x .93" O.D.	106	781-0686		Cradle Support Brkt.
736-0169		L-Wash. 3/8" I.D.*	107	712-0431		Flanged Lock Nut 3/8-16
736-0185		FI-Wash. .406" I.D. x .75" O.D.	108	710-3097		Carriage Bolt 3/8-16 x 1" Lg.
750-0497		Spacer .44" Lg.	109	290-004-000		Taillight Kit (Not Shown) (See Separate Manual)

For faster service obtain standard nuts, bolts and washers locally. If these items cannot be obtained locally, order by part number and size as shown on parts list.

Models 552, 554, 555 and 556



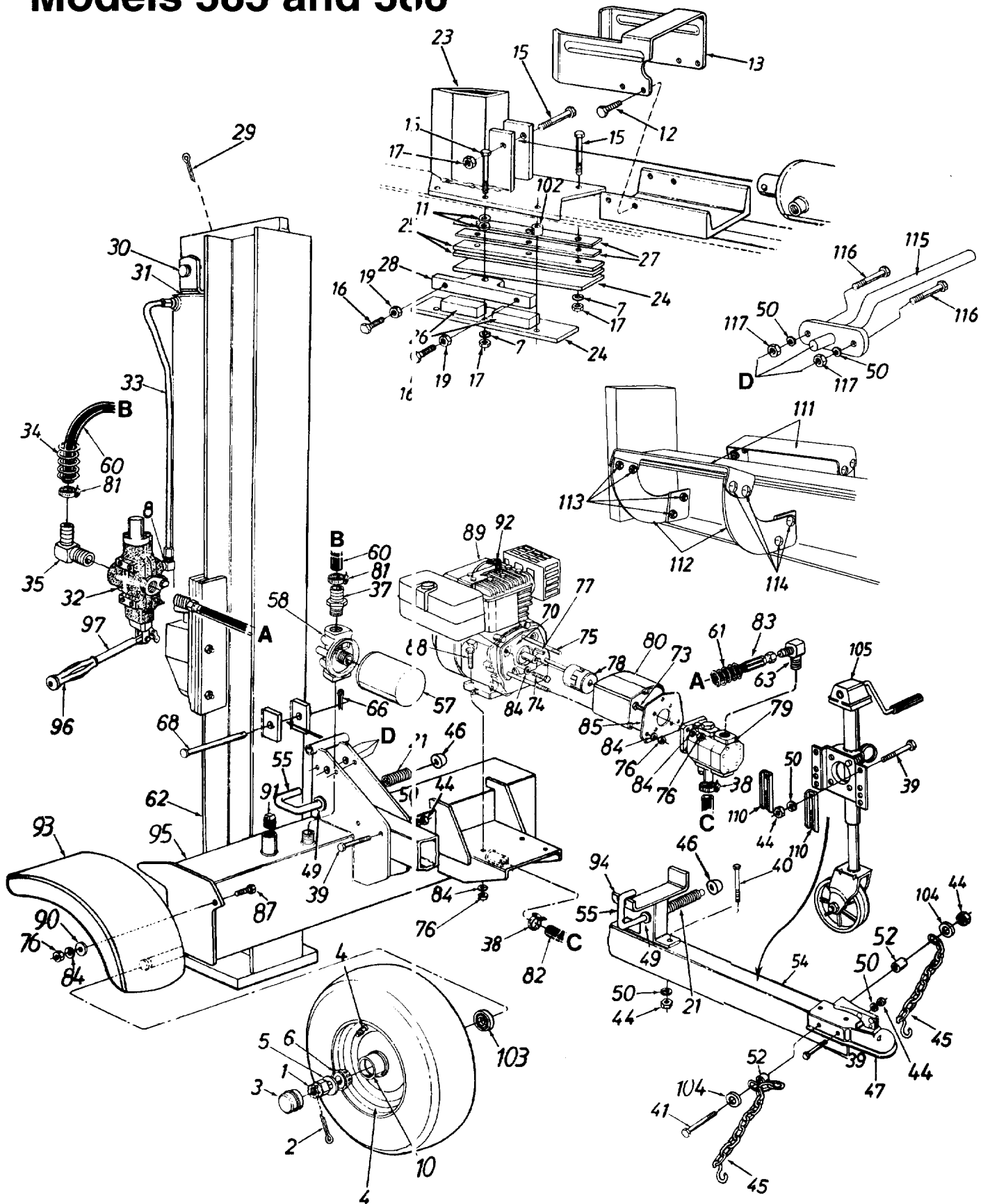
Models 552, 554, 555 and 556

PARTS LIST FOR MODELS 552, 554, 555 AND 556 LOG SPLITTERS

EF. O.	PART NO.	CODE	DESCRIPTION	REF. NO.	PART NO.	CODE	DESCRIPTION
1	712-0359		Slotted Nut 3/4-16 Thd.	49	736-0116		FI-Wash. .635" I.D. x .93" O.D.
2	714-0162		Cotter Pin 5/32" Dia.	50	736-0169		L-Wash. 3/8" I.D.*
3	734-0873		Hub Cap	51	736-0185		FI-Wash. .406" I.D. x .75" O.D.
4	734-1016		Wheel Ass'y. Comp.	52	750-0497		Spacer .445" Lg.
	734-0872		Tire Only	53	781-0162		Jack Stand
	734-1017		Rim Only	54	781-0680		Tongue Tube
	734-0255		Air Valve Only	55	781-0690		Locking Rod
5	736-0351		FI-Wash. .76" I.D. x 1.5" O.D.	56	781-0398		Beam Support Ass'y.
6	741-3028		Bearing Cone	57	723-0405		Filter Element
7	736-0921		L-Wash. 1/2" I.D.*	58	723-0406		Filter Head
8	737-0192		90° Solid Male Adapter	60	727-0443		Return Hose 3/4" I.D. x 44" Lg.
9	737-0238		Pipe Nipple 1/2 NPT	61	781-0538		Hose Guard
0	741-3029		Bearing Cup	62	681-0099		Vertical Beam Weldment
1	737-0265		90° Male Adapter	66	714-0470		Cotter Pin 1/8" Dia.
2	736-0192		FI-Wash. .531" I.D. x .94" O.D.	68	738-0805		Hinge Pin 1/2 x 4.8" Lg.
3	710-0514		Hex Cap Scr. 3/8-16 x 1" Lg.	73	710-0117		Hex Bolt 5/16-24 x 1" Lg.
5	710-1018		Hex Bolt 1/2-20 x 2.75" Lg. (Grade 8)	74	710-0237		Hex Bolt 5/16-24 x .62" Lg.
				75	710-0363		Hex Bolt 5/16-24 x 4" Lg.
6	710-1032		Hex Bolt 3/8-24 x 1.5" Lg.	76	712-0123		Hex Nut 5/16-24 Thd.
7	712-0239		Hex L-Nut 1/2-20 Thd.	77	714-0122		Sq.-Key 3/16" x .75" Lg.
9	712-3001		Hex Jam Nut 3/8-24 Thd. (Grade 5)	78	717-0891		Flexible Coupling (552, 554)
				79	718-0248		Gear Pump (555, 556)
1	732-0583		Comp. Spring 4" Lg.		717-0936		Gear Pump (552, 554)
3	781-0323B		Wedge Ass'y.	80	719-0315		Coupling Shield (555, 556)
4	781-0537		Back Plate		719-0278		Coupling Shield (552, 554)
5	781-0350A		Fixed Side Gib	81	726-0132		Hose Clamp 5/8" (552, 554)
6	781-0351		Adjustable Gib (552, 555, 556)		726-0174		Hose Clamp (555, 556)
	781-0673		Adjustable Gib (554)	82	727-0451		Suction Hose 1" I.D.
7	781-0352A		Adjustable Gib Shim	83	727-0502		High Pressure Hydraulic Hose 48"
8	781-0356		Floating Gib Plate				
9	714-0211		Cotter Pin	84	736-0119		L-Wash. 5/16" I.D.*
0	711-1135		Clevis Pin	85	781-0097		Rear Coupling Support Brkt.
1	718-0306		Hydraulic Cylinder	86	781-0098		Front Coupling Support Brkt.
2	717-0899		Control Valve	87	710-0157		Hex Bolt 5/16-24 x .75" Lg.
3	727-0471		Metal Pressure Tube	88	710-0409		Hex Bolt 5/16-24 x 1.75" Lg.
4	781-0526		Hose Guard	89	—		Engine
5	737-0153		Return Elbow	90	736-0159		FI-Wash. .344" I.D. x .875" O.D.
7	737-0235		3/4" Hose Barb.	91	737-0236		L-Vent Pipe Plug
8	726-0174		Hose Clamp 1.5" O.D.	92	735-0639		Spark Plug Boot (Optional)
9	710-0521		Hex Bolt 3/8-16 x 3" Lg. (Grade 8)	93	781-0556		Fender
0	710-0411		Hex Bolt 3/8-16 x 4" Lg.	95	681-0103		Frame Weldment
1	710-0944		Hex Bolt 3/8-16 x 4.25" Lg.	96	720-0235		Grip
2	711-0813		Clevis Pin 5/16 x 2.5" Lg.	97	747-0583		Control Handle
3	712-0375		Hex L-Nut 3/8-16 Thd.	98	732-0194		Spring Pin
4	712-0798		Hex Nut 3/8-16 Thd.	99	781-0525		Dislodger
5	713-0433		Chain—Tow Hitch	102	750-0750		Spacer 1/2" I.D. x .86" Lg.
6	726-0214		Push Cap	103	721-0168		Bearing Seal Only
7	727-0311		Hitch Coupler	104	736-0262		FI-Wash. 3/8" I.D. x .87" O.D.

* For faster service obtain standard nuts, bolts and washers locally.
If these items cannot be obtained locally, order by part number and size as shown on parts list.

Models 585 and 586



Models 585 and 586

PARTS LIST FOR MODELS 585 AND 586 LOG SPLITTERS

EF. O.	PART NO.	CODE	DESCRIPTION	REF. NO.	PART NO.	CODE	DESCRIPTION
1	712-0359		Slotted Nut 3/4-16 Thd.	54	781-0691		Tongue Tube
2	714-0162		Cotter Pin 5/32" Dia.	55	781-0690		Locking Rod
3	734-0873		Hub Cap	57	723-0405		Filter Element
4	734-1016		Wheel Ass'y. Comp.	58	723-0406		Filter Head
	734-0872		Tire Only	60	727-0443		Return Hose 3/4" I.D. x 44" Lg.
	734-1017		Rim Only	61	781-0538		Hose Guard
	734-0255		Air Valve Only	62	681-0101		Vertical Beam Weldment
5	736-0351		FI-Wash. .76" I.D. x 1.5" O.D.	63	737-0264		90° Adapter (Male)
6	741-3028		Bearing Cone	66	714-0470		Cotter Pin 1/8" Dia.
7	736-0921		L-Wash. 1/2" I.D.*	68	738-0805		Hinge Pin 1/2 x 4.8" Lg.
8	737-0192		90° Solid Male Adapter	70	781-0098		Front Coupling Support Brkt.
0	741-3029		Bearing Cup	73	710-0117		Hex Bolt 5/16-24 x 1" Lg.
1	736-0192		FI-Wash. .531" I.D. x .94" O.D.	74	710-0237		Hex Bolt 5/16-24 x .62" Lg.
2	710-0514		Hex Cap Scr. 3/8-16 x 1" Lg.	75	710-1253		Hex Bolt 5/16-24 x 5.25" Lg.
3	781-0525		Dislodger	76	712-0123		Hex Nut 5/16-24 Thd.
5	710-1018		Hex Bolt 1/2-20 x 2.75" Lg. (Grade 8)	77	714-0114		Sq.-Key 1/4" x 2" Lg.
				78	717-0462		Flexible Coupling
6	710-1032		Hex Bolt 3/8-24 x 1.5" Lg.	79	718-0248		Gear Pump
7	712-0239		Hex L-Nut 1/2-20 Thd.	80	719-0315		Coupling Shield
9	712-3001		Hex Jam Nut 3/8-24 Thd. (Grade 5)	81	726-0132		Hose Clamp 5/8"
				82	727-0451		Suction Hose 1" I.D.
1	732-0583		Comp. Spring 4" Lg.	83	727-0502		High Pressure Hydraulic Hose
3	781-0323B		Wedge Ass'y.	84	736-0119		L-Wash. 5/16" I.D.*
4	781-0537		Back Plate	85	781-0097		Rear Coupling Support Brkt.
5	781-0350A		Fixed Side Gib	87	710-0157		Hex Bolt 5/16-24 x .75" Lg.
6	781-0673		Adjustable Gib (585)	88	710-0409		Hex Bolt 5/16-24 x 1.75" Lg.
	781-0351		Adjustable Gib (586)	89	—		Engine
7	781-0352A		Adjustable Gib Shim	90	736-0159		FI-Wash. .344" I.D. x .875" O.D.
8	781-0356		Floating Gib Plate	91	737-0236		L-Vent Pipe Plug
9	714-0211		Cotter Pin	92	735-0639		Spark Plug Boot (Optional)
0	711-1135		Cylinder Mounting Pin	93	781-0556		Fender
1	718-0313		Hydraulic Cylinder	94	681-0007		Support Ass'y.
2	717-0899		Control Valve	95	681-0103	N	Frame Weldment
3	727-0471		Metal Pressure Tube	96	720-0235		Grip
4	781-0526		Hose Guard	97	747-0583		Control Handle
5	737-0153		Return Elbow	102	750-0750		Spacer 1/2" I.D. x .86" Lg.
7	737-0235		3/4" Hose Barb.	103	721-0168		Bearing Seal Only
8	726-0174		Hose Clamp 1.5" O.D.	104	736-0262		FI-Wash. 3/8" I.D. x .87" O.D.
9	710-0521		Hex Bolt 3/8-16 x 3" Lg. (Grade 8)	105	681-0006		Jack Stand
0	710-3153		Hex Bolt 3/8-16 x 4.75" Lg.	110	781-0558		Jack Stand Brkt.
1	710-0944		Hex Bolt 3/8-16 x 4.25" Lg.	111	781-0682		Log Cradle
4	712-0375		Lock Nut 3/8-16 (585)	112	781-0686		Cradle Support Brkt.
5	713-0433		Chain—Tow Hitch	113	712-0431		Flanged Lock Nut 3/8-16 Thd.
6	726-0214		Push Cap	114	710-3097		Carriage Bolt 3/8-16 x 1" Lg.
7	727-0311		Hitch Coupler	115	681-0089		Engine Guard
9	736-0116		FI-Wash. .635" I.D. x .93" O.D.	116	710-0514		Hex Bolt 3/8-16 x 1" Lg.
0	736-0169		L-Wash. 3/8" I.D.*	117	712-3017		Hex Nut 3/8-16 Thd.
2	750-0497		Spacer .445" Lg.	—	290-004-000		Taillight Kit (Not Shown) See Separate Manual

* For faster service obtain standard nuts, bolts and washers locally.
If these items cannot be obtained locally, order by part number and size as shown on parts list.

Part No.	Description
777-3440	Label—White 31 Ton Log Boss
777-4435	Label—White 31 Ton Log Boss
777-0015	Label—RNF Directional Label
777-4324	Label—Combination
777-7509	Label—Fill to Top
777-0836	Label—Log Dislodger