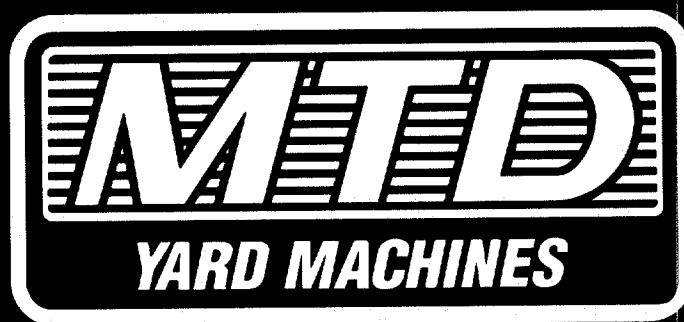


# ILLUSTRATED PARTS

AMERICAN  AMERICAN  
M A D E O W N E D  
OUTDOOR POWER EQUIPMENT

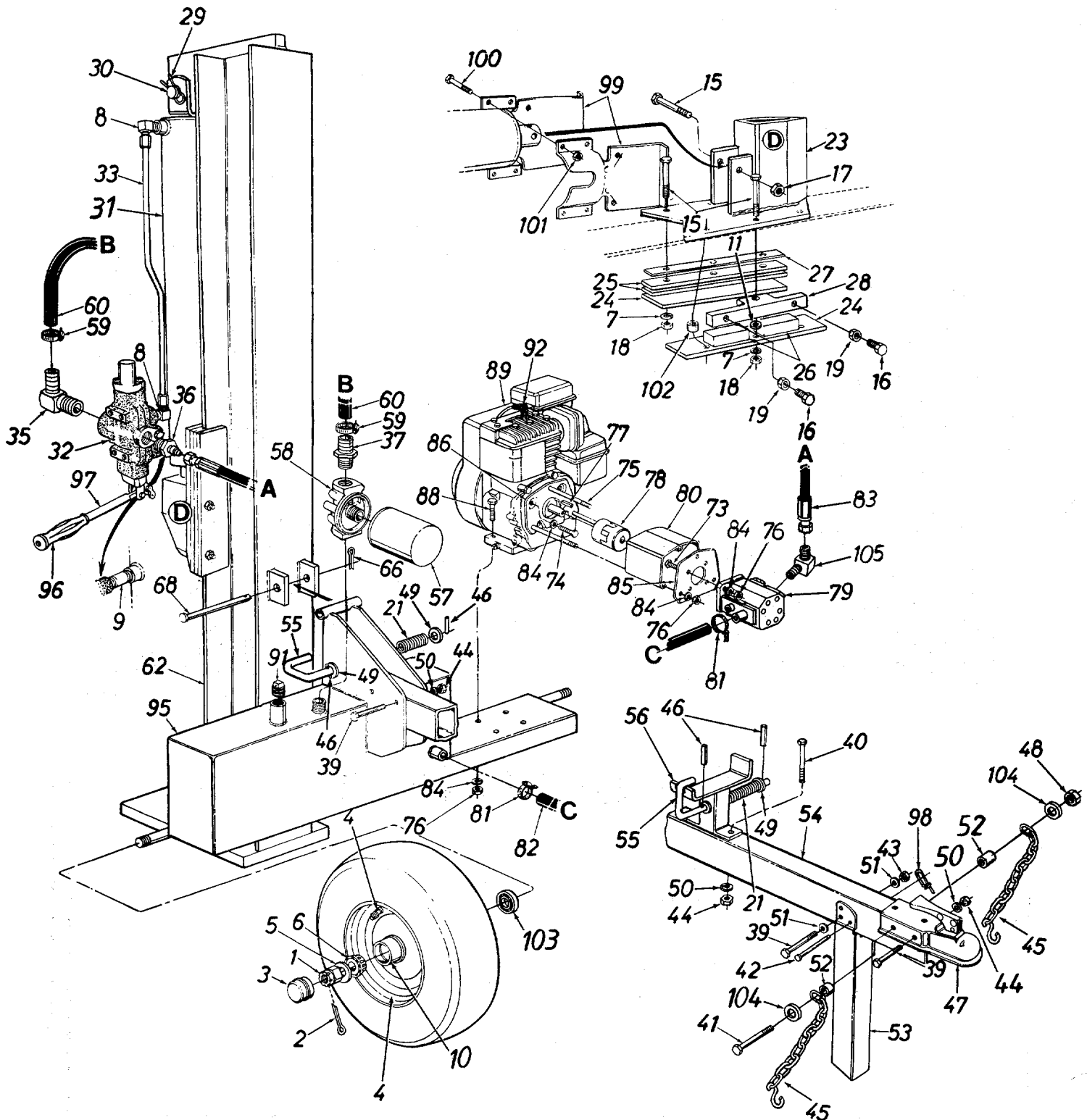


## 1996

## LOG SPLITTERS

Model Number	Pages
246-630-000.....	2, 3
246-631-000.....	2, 3
246-634-000.....	2, 3
246-635-000.....	4, 5
246-636-000.....	4, 5
246-637-000.....	4, 5
246-638-000.....	6, 7

# Models 630, 631 and 634



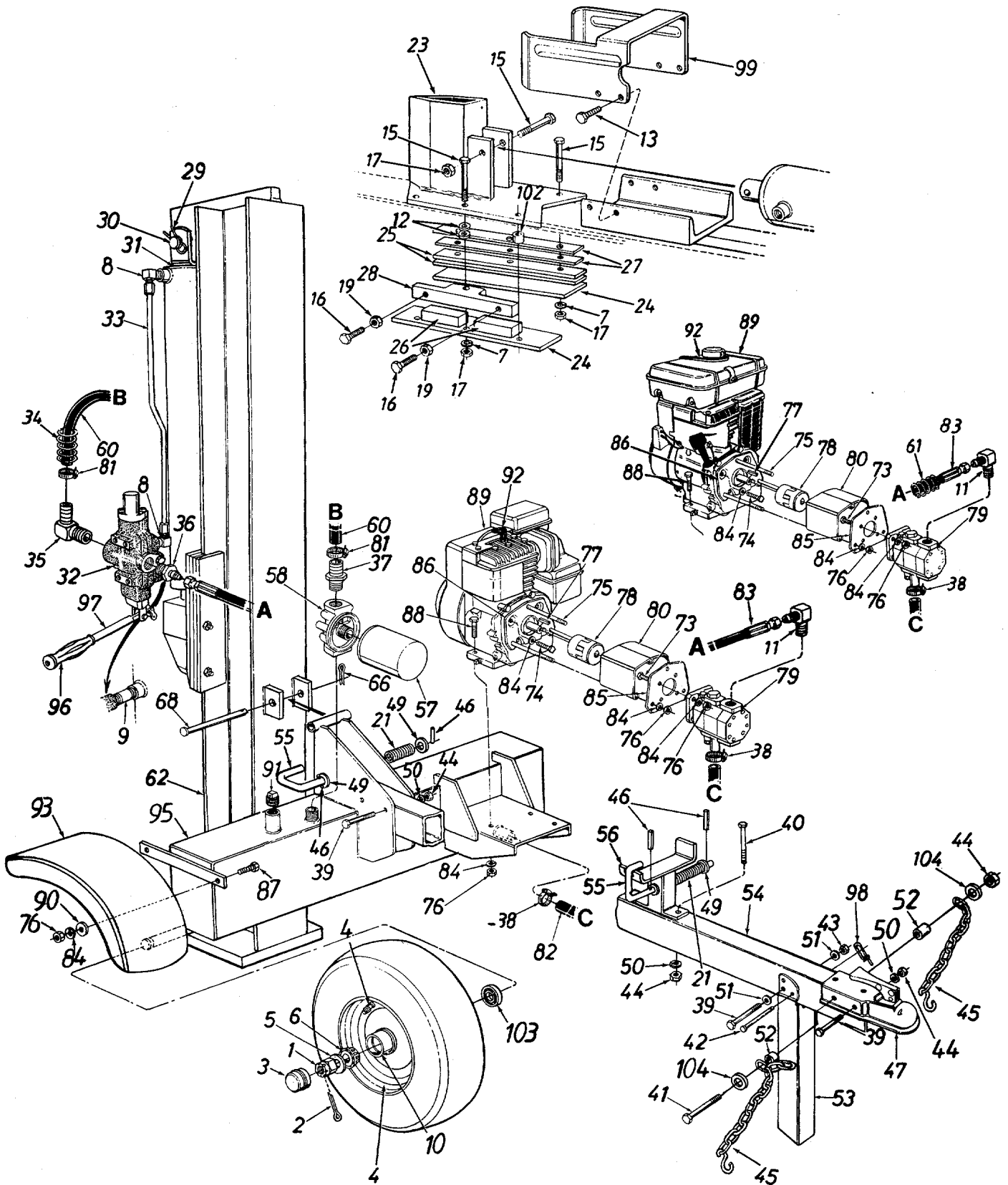
# Models 630, 631 and 634

## PARTS LIST FOR MODELS 630, 631 AND 634 LOG SPLITTERS

REF. NO.	PART NO.	CODE	DESCRIPTION	REF. NO.	PART NO.	CODE	DESCRIPTION
1	712-0359		Slotted Nut 3/4-16 Thd.	46	715-0116		Roll Pin
2	714-0162		Cotter Pin 5/32" Dia. x 1-1/4" Lg.	47	727-0311		Hitch Coupler
3	734-0873		Hub Cap	48	712-3000		Hex Ctr. L-Nut 3/8-16 Thd.
4	734-1016		Wheel Ass'y. Comp.	49	736-0116		FI-Wash. .635" I.D. x .93" O.D.
	734-0872		Tire Only	50	736-0169		L-Wash. 3/8" I.D.*
	734-1017		Rim Only	51	736-0185		FI-Wash. .406" I.D. x .75" O.D.
	721-0168		Bearing Seal Only	52	750-0507		Spacer 3/8" I.D. x .625" O.D.
	734-0255		Air Valve Only	53	781-0162		Jack Stand
5	736-0351		FI-Wash. .76" I.D. x 1.5" O.D.	54	781-0399		Tongue Tube
6	741-3028		Bearing Cone	55	781-0370A		Locking Rod
7	736-0921		L-Wash. 1/2" I.D.*	56	781-0398		Beam Support Ass'y.
8	737-0192		90° Solid Male Adapter	57	723-0405		Filter Element
9	737-0238		Pipe Nipple 1/2 NPT	58	723-0406		Filter Head
10	741-3029		Bearing Cup	59	726-0132		Hose Clamp 5/8"
11	736-0192		FI-Wash. .531" I.D. x .94" O.D.	60	727-0443		Return Hose 3/4" I.D. x 44" Lg.
15	710-1018		Hex Bolt 1/2-20 x 2.75" Lg. (Grade 8)	62	781-0404A		Vertical Beam Ass'y.
				66	714-0470		Cotter Pin 1/8" Dia.
16	710-1032		Hex Bolt 3/8-24 x 1.5" Lg.	68	738-0805		Hinge Pin 1/2 x 4.8" Lg.
17	712-0239		Hex L-Nut 1/2-20 Thd.	73	710-0117		Hex Bolt 5/16-24 x 1" Lg.
18	712-0333		Hex Nut 1/2-20 Thd.	74	710-0237		Hex Bolt 5/16-24 x .62" Lg.
19	712-3001		Hex Jam Nut 3/8-24 Thd. (Grade 5)	75	710-0363		Hex Bolt 5/16-24 x 4" Lg.
				76	712-0123		Hex Nut 5/16-24 Thd.
21	732-0583		Comp. Spring 4" Lg.	77	714-0122		Sq.-Key 3/16" x .75"
23	781-0323B		Wedge Ass'y.	78	717-0891		Flexible Coupling
24	781-0537		Back Plate	79	717-0936		Gear Pump
25	781-0350A		Fixed Side Gib	80	719-0278		Coupling Shield
26	781-0351		Adjustable Gib	81	726-0174		Hose Clamp
27	781-0352A		Adjustable Gib Shim	82	727-0641		Suction Hose
28	781-0356		Floating Gib Plate	83	727-0452		High Pressure Hydraulic Hose
29	714-0203		External Cotter Pin	84	736-0119		L-Wash. 5/16" I.D.*
30	715-0216		Cylinder Mounting Pin	85	781-0097		Rear Coupling Support Brkt.
31	718-0245		Hydraulic Cylinder (630 & 634)	86	781-0098		Front Coupling Support Brkt.
	718-0262		Hydraulic Cylinder (631)	88	710-0409		Hex Bolt 5/16-24 x 1.75" Lg.
32	717-0899		Control Valve	89	—		Engine
33	727-0323		Metal Pressure Tube	91	737-0236		L-Vent Pipe Plug
35	737-0153		Return Elbow	92	735-0639		Spark Plug Boot
36	737-0279		Adapter	95	781-0501B	N	Tank Ass'y.
37	737-0235		3/4" Hose Barb.	96	720-0235		Grip
39	710-3066		Hex Bolt 3/8-16 x 2.75" Lg. (Grade 8)	97	747-0583		Control Handle
				98	732-0194		Spring Pin
40	710-0411		Hex Bolt 3/8-16 x 4" Lg.	99	781-0168A		Stripper Plate
41	710-3080		Hex Bolt 3/8-16 x 4" Lg. (Grade 5)	100	710-3144		Hex Bolt 3/8-16 x 2.0" Lg. (Gr. 5)
				101	712-0430		Hex L-Nut 3/8-16 Thd.
42	711-0813		Clevis Pin 5/16 x 2.5" Lg.	102	750-0743		Spacer 1/2" I.D. x .68" Lg.
43	712-0375		Hex L-Nut 3/8-16 Thd.	103	721-0168		Bearing Seal Only
44	712-0798		Hex Nut 3/8-16 Thd.*	104	736-0262		FI-Wash. 3/8" I.D. x .87" O.D.
45	713-0433		Chain—Tow Hitch	105	737-0265		90° Male Adapter

\*For faster service obtain standard nuts, bolts and washers locally.  
If these items cannot be obtained locally, order by part number  
and size as shown on parts list.

# Models 635, 636 and 637



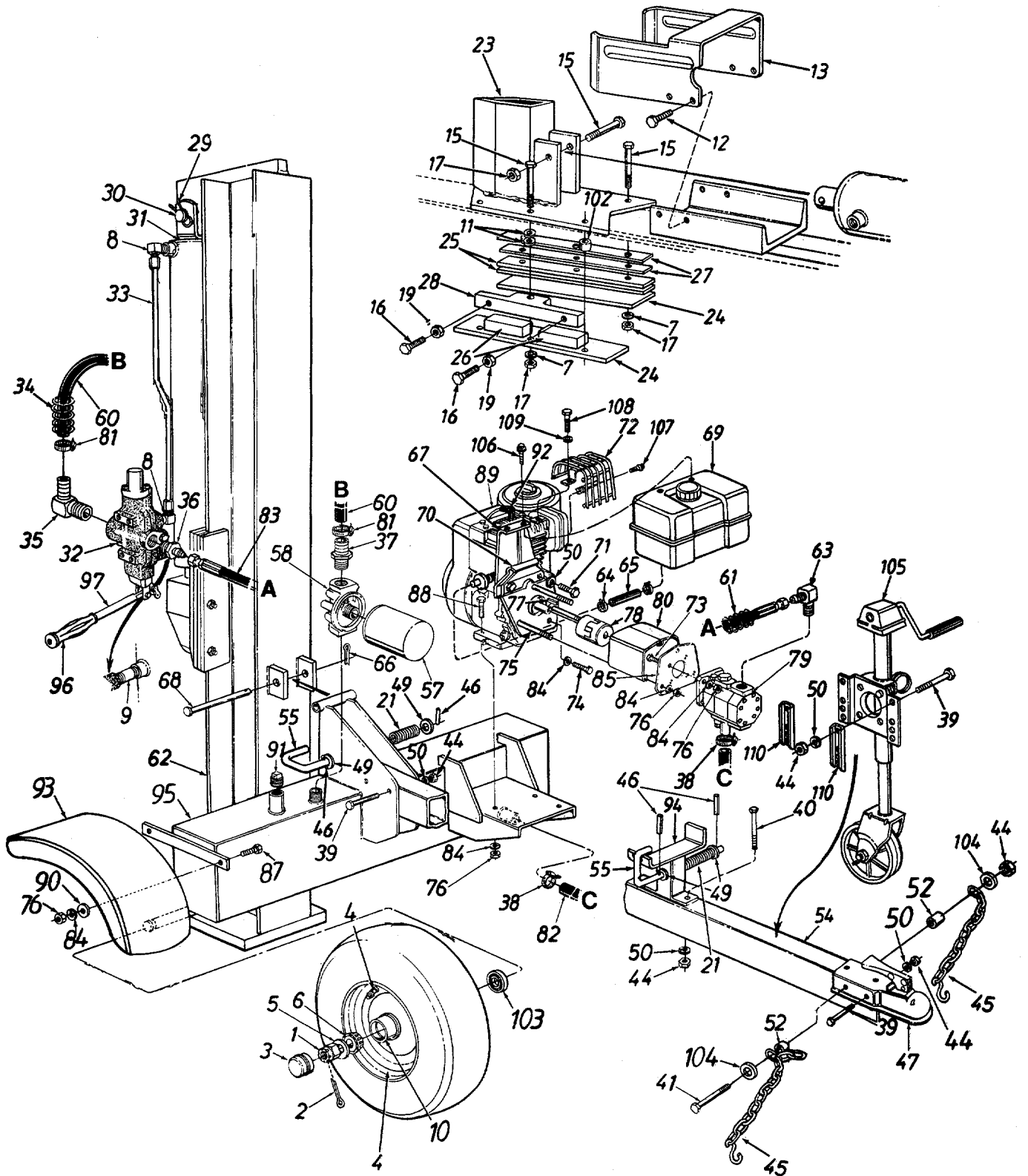
# Models 635, 636 and 637

## PARTS LIST FOR MODELS 635, 636 AND 637 LOG SPLITTERS

REF. NO.	PART NO.	CODE	DESCRIPTION	REF. NO.	PART NO.	CODE	DESCRIPTION
1	712-0359		Slotted Nut 3/4-16 Thd.	46	715-0116		Roll Pin
2	714-0162		Cotter Pin 5/32" Dia.	47	727-0311		Hitch Coupler
3	734-0873		Hub Cap	49	736-0116		FI-Wash. .635" I.D. x .93" O.D.
4	734-1016		Wheel Ass'y. Comp.	50	736-0169		L-Wash. 3/8" I.D.*
	734-0872		Tire Only	51	736-0185		FI-Wash. .406" I.D. x .75" O.D.
	734-1017		Rim Only	52	750-0497		Spacer .44" Lg.
	734-0255		Air Valve Only	53	781-0162		Jack Stand
5	736-0351		FI-Wash. .76" I.D. x 1.5" O.D.	54	781-0399		Tongue Tube
6	741-3028		Bearing Cone	55	781-0370A		Locking Rod
7	736-0921		L-Wash. 1/2" I.D.*	56	781-0398		Beam Support Ass'y.
8	737-0192		90° Solid Male Adapter	57	723-0405		Filter Element
9	737-0238		Pipe Nipple 1/2 NPT	58	723-0406		Filter Head
10	741-3029		Bearing Cup	60	727-0443		Return Hose 3/4" I.D. x 44" Lg.
11	737-0265		90° Male Adapter	61	781-0538		Hose Guard (637)
12	736-0192		FI-Wash. .531" I.D. x .94" O.D.	62	681-0014		Vertical Beam Ass'y.
13	710-0514		Hex Cap Scr. 3/8-16 x 1" Lg.	66	714-0470		Cotter Pin 1/8" Dia.
15	710-1018		Hex Bolt 1/2-20 x 2.75" Lg. (Grade 8)	68	738-0805		Hinge Pin 1/2 x 4.8" Lg.
				73	710-0117		Hex Bolt 5/16-24 x 1" Lg.
16	710-1032		Hex Bolt 3/8-24 x 1.5" Lg.	74	710-0237		Hex Bolt 5/16-24 x .62" Lg.
17	712-0239		Hex L-Nut 1/2-20 Thd.	75	710-0363		Hex Bolt 5/16-24 x 4" Lg.
19	712-3001		Hex Jam Nut 3/8-24 Thd. (Grade 5)	76	712-0123		Hex Nut 5/16-24 Thd.
				77	714-0122		Sq. Key 3/16" x .75"
21	732-0583		Comp. Spring 4" Lg.	78	717-0891		Flexible Coupling
23	781-0323B		Wedge Ass'y.	79	717-0936		Gear Pump
24	781-0537		Back Plate	80	719-0278		Coupling Shield
25	781-0350A		Fixed Side Gib	81	726-0132		Hose Clamp 5/8"
26	781-0351		Adjustable Gib	82	727-0451		Suction Hose
27	781-0352A		Adjustable Gib Shim	83	727-0452		High Pressure Hydraulic Hose 48"
28	781-0356		Floating Gib Plate				
29	714-0203		External Cotter Pin	84	736-0119		L-Wash. 5/16" I.D.*
30	715-0216		Cylinder Mounting Pin	85	781-0097		Rear Coupling Support Brkt.
31	718-0246		Hydraulic Cylinder	86	781-0098		Front Coupling Support Brkt.
32	717-0899		Control Valve	87	710-0157		Hex Bolt 5/16-24 x .75" Lg.
33	727-0323		Metal Pressure Tube	88	710-0409		Hex Bolt 5/16-24 x 1.75" Lg.
34	781-0526		Hose Guard (637)	89	—		Engine
35	737-0153		Return Elbow	90	736-0159		FI-Wash. .344" I.D. x .875" O.D.
36	737-0279		Adapter	91	737-0236		L-Vent Pipe Plug
37	737-0235		3/4" Hose Barb.	92	735-0639		Spark Plug Boot (Optional)
38	726-0174		Hose Clamp	93	781-0556		Fender (Optional)
39	710-0521		Hex Bolt 3/8-16 x 3" Lg. (Grade 8)	95	681-0011A	N	Frame Weldment (635 & 637)
					681-0085	N	Frame Weldment (636)
40	710-0411		Hex Bolt 3/8-16 x 4" Lg.	96	720-0235		Grip
41	710-0944		Hex Bolt 3/8-16 x 4.25" Lg. (Grade 5)	97	747-0583		Control Handle
				98	732-0194		Spring Pin
42	711-0813		Clevis Pin 5/16 x 2.5" Lg.	99	781-0525		Dislodger
43	712-0375		Hex L-Nut 3/8-16 Thd.	102	750-0750		Spacer 1/2" I.D. x .86" Lg.
44	712-0798		Hex Nut 3/8-16 Thd.	103	721-0168		Bearing Seal Only
45	713-0433		Chain—Tow Hitch	104	736-0262		FI-Wash. 3/8" I.D. x .87" O.D.

\*For faster service obtain standard nuts, bolts and washers locally.  
If these items cannot be obtained locally, order by part number  
and size as shown on parts list.

# Model 638



# Model 638

## PARTS LIST FOR MODEL 638 LOG SPLITTER

REF. NO.	PART NO.	CODE	DESCRIPTION	REF. NO.	PART NO.	CODE	DESCRIPTION
1	712-0359		Slotted Nut 3/4-16 Thd.	55	781-0370A		Locking Rod
2	714-0162		Cotter Pin 5/32" Dia.	57	723-0405		Filter Element
3	734-0873		Hub Cap	58	723-0406		Filter Head
4	734-1016		Wheel Ass'y. Comp.	60	727-0443		Return Hose 3/4" I.D. x 44" Lg.
	734-0872		Tire Only	61	781-0538		Hose Guard
	734-1017		Rim Only	62	681-0014		Vertical Beam Weldment
	734-0255		Air Valve Only	63	737-0264		90° Adapter (Male)
5	736-0351		FI-Wash. .76" I.D. x 1.5" O.D.	64	726-0199		Hose Clamp .37" Dia.
6	741-3028		Bearing Cone	65	751-0535-15		Fuel Line (6" Lg.)
7	736-0921		L-Wash. 1/2" I.D.*	66	714-0470		Cotter Pin 1/8" Dia.
8	737-0192		90° Solid Male Adapter	67	781-0535		Tank Mtg. Brkt.
9	737-0238		Pipe Nipple 1/2 NPT	68	738-0805		Hinge Pin 1/2 x 4.8" Lg.
10	741-3029		Bearing Cup	69	751-0570		Fuel Tank Ass'y.
11	736-0192		FI-Wash. .531" I.D. x .94" O.D.	70	781-0536		Support Brkt.
12	710-0514		Hex Cap Scr. 3/8-16 x 1" Lg.	71	710-0253		Hex Bolt 3/8-16 x 1" Lg.
13	781-0525		Dislodger	72	751-0580		Muffler Guard
15	710-1018		Hex Bolt 1/2-20 x 2.75" Lg. (Grade 8)	73	710-0117		Hex Bolt 5/16-24 x 1" Lg.
				74	710-0237		Hex Bolt 5/16-24 x .62" Lg.
16	710-1032		Hex Bolt 3/8-24 x 1.5" Lg.	75	710-1253		Hex Bolt 5/16-24 x 5.25" Lg.
17	712-0239		Hex L-Nut 1/2-20 Thd.	76	712-0123		Hex Nut 5/16-24 Thd.
19	712-3001		Hex Jam Nut 3/8-24 Thd. (Grade 5)	77	714-0114		Sq.-Key 1/4" x 2" Lg.
				78	717-0462		Flexible Coupling
21	732-0583		Comp. Spring 4" Lg.	79	718-0248		Gear Pump
23	781-0323B		Wedge Ass'y.	80	719-0315		Coupling Shield
24	781-0537		Back Plate	81	726-0132		Hose Clamp 5/8"
25	781-0350A		Fixed Side Gib	82	727-0451		Suction Hose 1" I.D.
26	781-0351		Adjustable Gib	83	727-0452		High Pressure Hydraulic Hose 48"
27	781-0352A		Adjustable Gib Shim				L-Wash. 5/16" I.D.*
28	781-0356		Floating Gib Plate	84	736-0119		Rear Coupling Support Brkt.
29	714-0203		External Cotter Pin	85	781-0097		Hex Bolt 5/16-24 x .75" Lg.
30	715-0216		Cylinder Mounting Pin	87	710-0157		Hex Bolt 5/16-24 x 1.75" Lg.
31	718-0247		Hydraulic Cylinder	88	710-0409		Engine
32	717-0899		Control Valve	89	—		FI-Wash. .344" I.D. x .875" O.D.
33	727-0323		Metal Pressure Tube	90	736-0159		L-Vent Pipe Plug
34	781-0526		Hose Guard	91	737-0236		Spark Plug Boot (Optional)
35	737-0153		Return Elbow	92	735-0639		Fender
36	737-0279		Adapter	93	781-0556		Support Ass'y.
37	737-0235		3/4" Hose Barb.	94	681-0008		Frame Weldment
38	726-0174		Hose Clamp 1.5" O.D.	95	681-0011A	N	Grip
39	710-0521		Hex Bolt 3/8-16 x 3" Lg. (Grade 8)	96	720-0235		Control Handle
				97	747-0583		Spacer 1/2" I.D. x .86" Lg.
40	710-3153		Hex Bolt 3/8-16 x 4.75" Lg.	102	750-0750		Bearing Seal Only
41	710-0944		Hex Bolt 3/8-16 x 4.25" Lg.	103	721-0168		FI-Wash. 3/8" I.D. x .87" O.D.
44	712-0798		Hex Nut 3/8-16 Thd.	104	736-0262		Jack Stand
45	713-0433		Chain—Tow Hitch	105	681-0006		Hex AB-Tap Scr. 1/4 x 3/4" Lg.
46	715-0116		Roll Pin	106	710-0895		Hex Wash. Hd. Scr. #8 x .5" Lg.
47	727-0311		Hitch Coupler	107	710-0200		Hex Bolt 1/4-20 x .5" Lg.*
49	736-0116		FI-Wash. .635" I.D. x .93" O.D.	108	710-0289		FI-Wash. .25" I.D. x .5" O.D.
50	736-0169		L-Wash. 3/8" I.D.*	109	736-0142		Jack Stand Brkt.
52	750-0497		Spacer .445" Lg.	110	781-0558		
54	781-0368A		Tongue Tube				

\*For faster service obtain standard nuts, bolts and washers locally.  
If these items cannot be obtained locally, order by part number  
and size as shown on parts list.