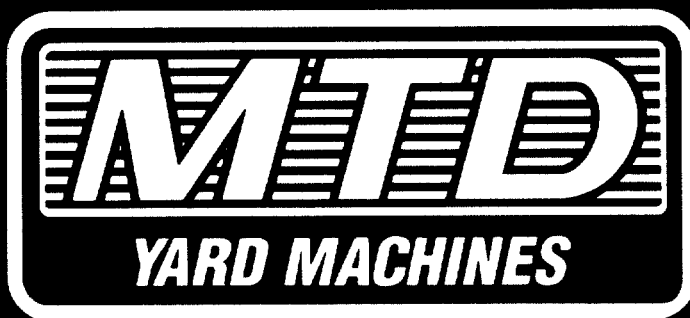


ILLUSTRATED PARTS

AMERICAN  AMERICAN
M A D E O W N E D
OUTDOOR POWER EQUIPMENT

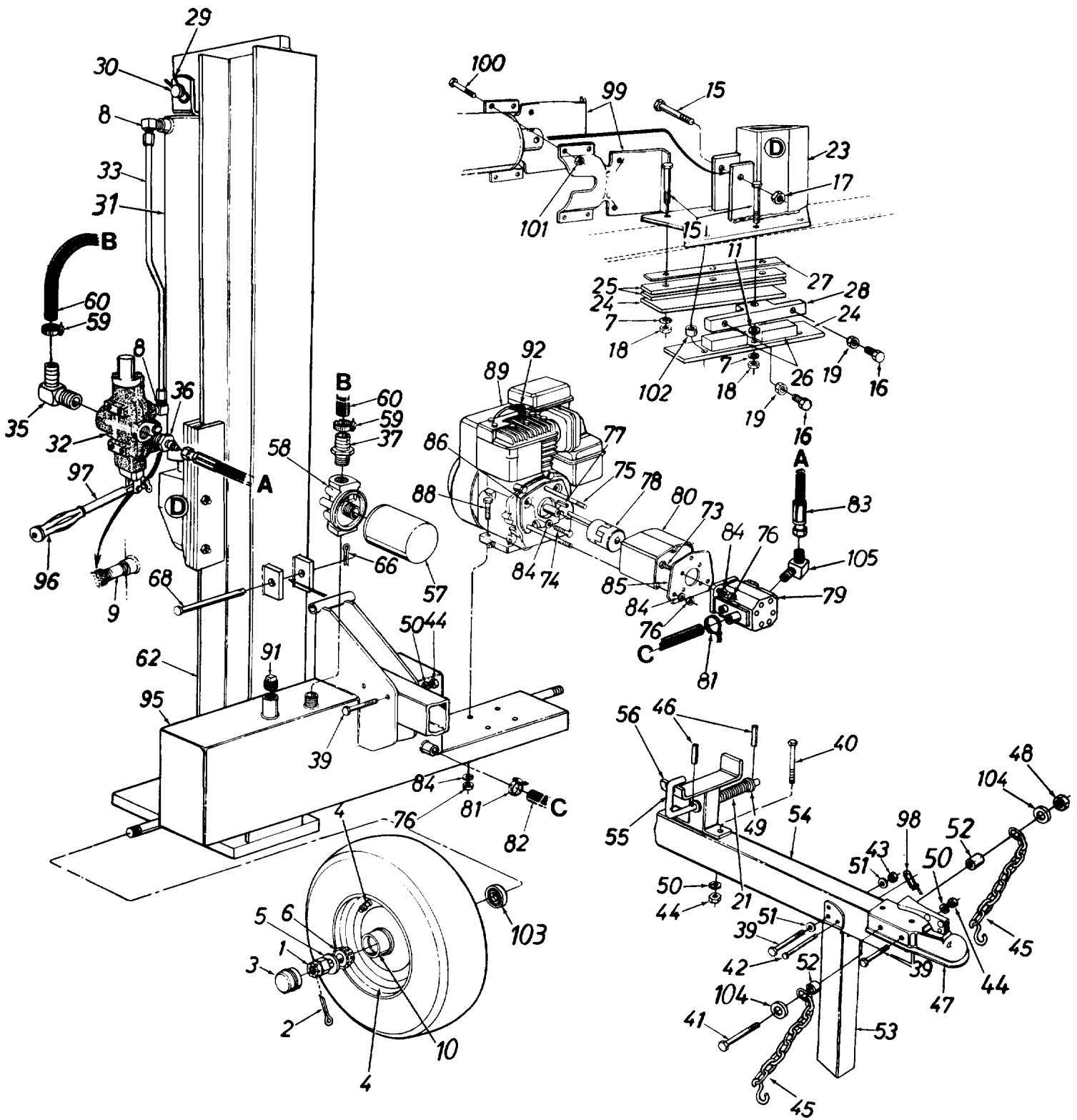


1995

LOG SPLITTERS

Model Number	Pages
245-630-000.....	2, 3
245-631-000.....	2, 3
245-635-000.....	4, 5
245-636-000.....	4, 5
245-638-000.....	6, 7

Models 630 and 631



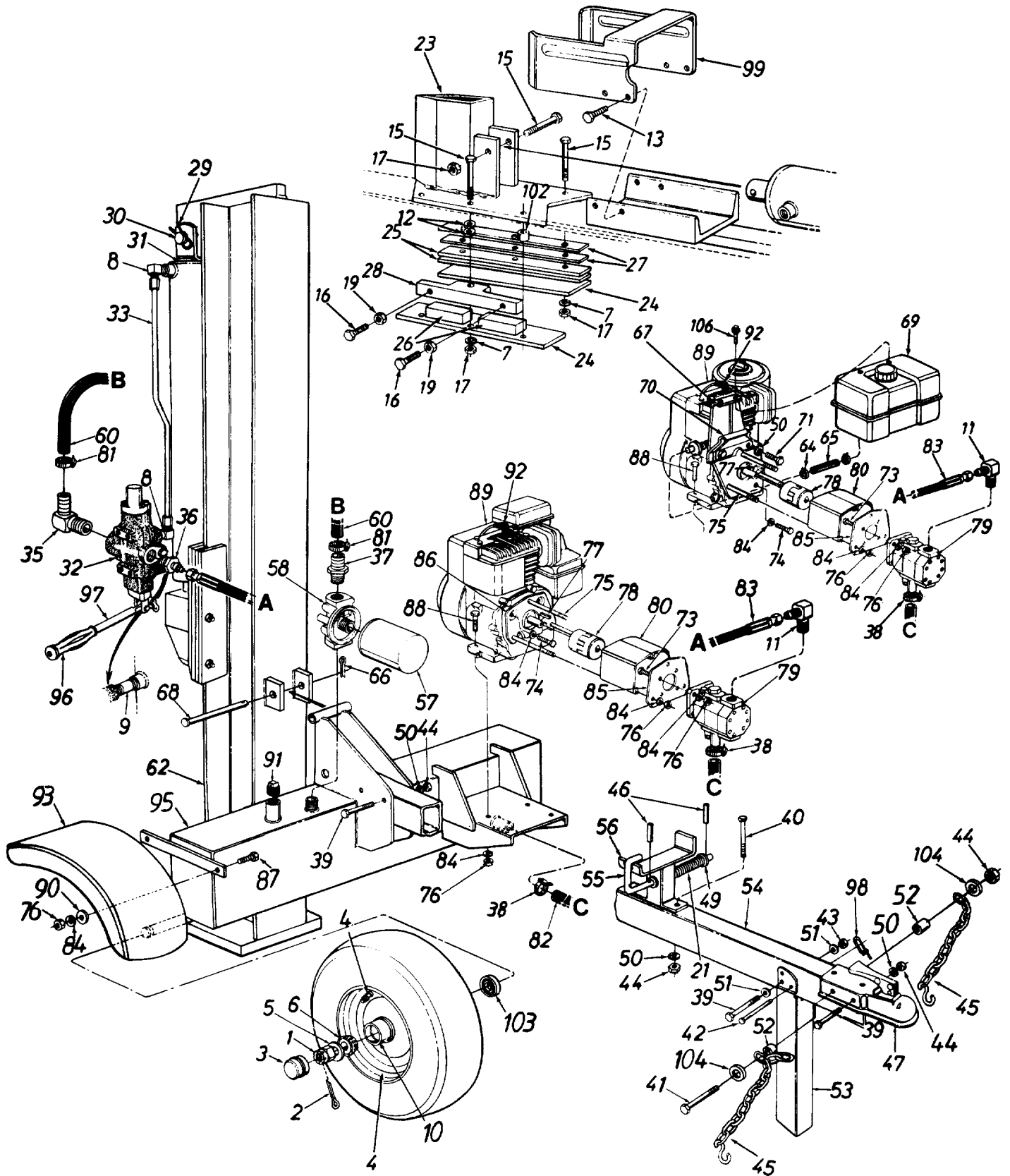
Models 630 and 631

PARTS LIST FOR MODELS 630 AND 631 LOG SPLITTERS

REF. NO.	PART NO.	CODE	DESCRIPTION	REF. NO.	PART NO.	CODE	DESCRIPTION
1	712-0359		Slotted Nut 3/4-16 Thd.	46	715-0116		Roll Pin
2	714-0162		Cotter Pin 5/32" Dia. x 1-1/4" Lg.	47	727-0311		Hitch Coupler
3	734-0873		Hub Cap	48	712-3000		Hex Ctr. L-Nut 3/8-16 Thd.
4	734-1016		Wheel Ass'y. Comp.	49	736-0116		FI-Wash. .635" I.D. x .93" O.D.
	734-0872		Tire Only	50	736-0169		L-Wash. 3/8" I.D.*
	734-1017		Rim Only	51	736-0185		FI-Wash. .406" I.D. x .75" O.D.
	721-0168		Bearing Seal Only	52	750-0507		Spacer 3/8" I.D. x .625" O.D.
	734-0255		Air Valve Only	53	781-0162		Jack Stand
5	736-0351		FI-Wash. .76" I.D. x 1.5" O.D.	54	781-0399		Tongue Tube
6	741-3028		Bearing Cone	55	781-0370A		Locking Rod
7	736-0921		L-Wash. 1/2" I.D.*	56	781-0398		Beam Support Ass'y.
8	737-0192		90° Solid Male Adapter	57	723-0405		Filter Element
9	737-0238		Pipe Nipple 1/2 NPT	58	723-0406		Filter Head
10	741-3029		Bearing Cup	59	726-0132		Hose Clamp 5/8"
11	736-0192		FI-Wash. .531" I.D. x .94" O.D.	60	727-0443		Return Hose 3/4" I.D. x 44" Lg.
15	710-1018		Hex Bolt 1/2-20 x 2.75" Lg. (Grade 8)	62	781-0404A		Vertical Beam Ass'y.
16	710-1032		Hex Bolt 3/8-24 x 1.5" Lg.	66	714-0470		Cotter Pin 1/8" Dia.
17	712-0239		Hex L-Nut 1/2-20 Thd.	68	738-0805		Hinge Pin 1/2 x 4.8" Lg.
18	712-0333		Hex Nut 1/2-20 Thd.	73	710-0117		Hex Bolt 5/16-24 x 1" Lg.
19	712-3001		Hex Jam Nut 3/8-24 Thd. (Grade 5)	74	710-0237		Hex Bolt 5/16-24 x .62" Lg.
21	732-0583		Comp. Spring 4" Lg.	75	710-0363		Hex Bolt 5/16-24 x 4" Lg.
23	781-0323B		Wedge Ass'y.	76	712-0123		Hex Nut 5/16-24 Thd.
24	781-0537		Back Plate	77	714-0122		Sq.-Key 3/16" x .75"
25	781-0350A		Fixed Side Gib	78	717-0891		Flexible Coupling
26	781-0351		Adjustable Gib	79	717-0936		Gear Pump
27	781-0352A		Adjustable Gib Shim	80	719-0278		Coupling Shield
28	781-0356		Floating Gib Plate	81	726-0174		Hose Clamp
29	714-0203		External Cotter Pin	82	727-0641		Suction Hose
30	715-0216		Cylinder Mounting Pin	83	727-0452		High Pressure Hydraulic Hose
31	718-0245		Hydraulic Cylinder (630)	84	736-0119		L-Wash. 5/16" I.D.*
	718-0262		Hydraulic Cylinder (631)	85	781-0097		Rear Coupling Support Brkt.
32	717-0899		Control Valve	86	781-0098		Front Coupling Support Brkt.
33	727-0323		Metal Pressure Tube	88	710-0409		Hex Bolt 5/16-24 x 1.75" Lg.
35	737-0153		Return Elbow	89	—		Engine
36	737-0279		Adapter	91	737-0236		L-Vent Pipe Plug
37	737-0235		3/4" Hose Barb.	92	735-0639		Spark Plug Boot
39	710-3066		Hex Bolt 3/8-16 x 2.75" Lg. (Grade 8)	95	781-0501A		Tank Ass'y.
40	710-0411		Hex Bolt 3/8-16 x 4" Lg.	96	720-0235		Grip
41	710-3080		Hex Bolt 3/8-16 x 4" Lg. (Grade 5)	97	747-0583		Control Handle
42	711-0813		Clevis Pin 5/16 x 2.5" Lg.	98	732-0194		Spring Pin
43	712-0375		Hex L-Nut 3/8-16 Thd.	99	781-0168A		Stripper Plate
44	712-0798		Hex Nut 3/8-16 Thd.*	100	710-3144		Hex Bolt 3/8-16 x 2.0" Lg. (Gr. 5)
45	713-0433		Chain—Tow Hitch	101	712-0430		Hex L-Nut 3/8-16 Thd.
				102	750-0743		Spacer 1/2" I.D. x .68" Lg.
				103	721-0168		Bearing Seal Only
				104	736-0262		FI-Wash. 3/8" I.D. x .87" O.D.
				105	737-0265		90° Male Adapter

*For faster service obtain standard nuts, bolts and washers locally.
If these items cannot be obtained locally, order by part number
and size as shown on parts list.

Models 635 and 636



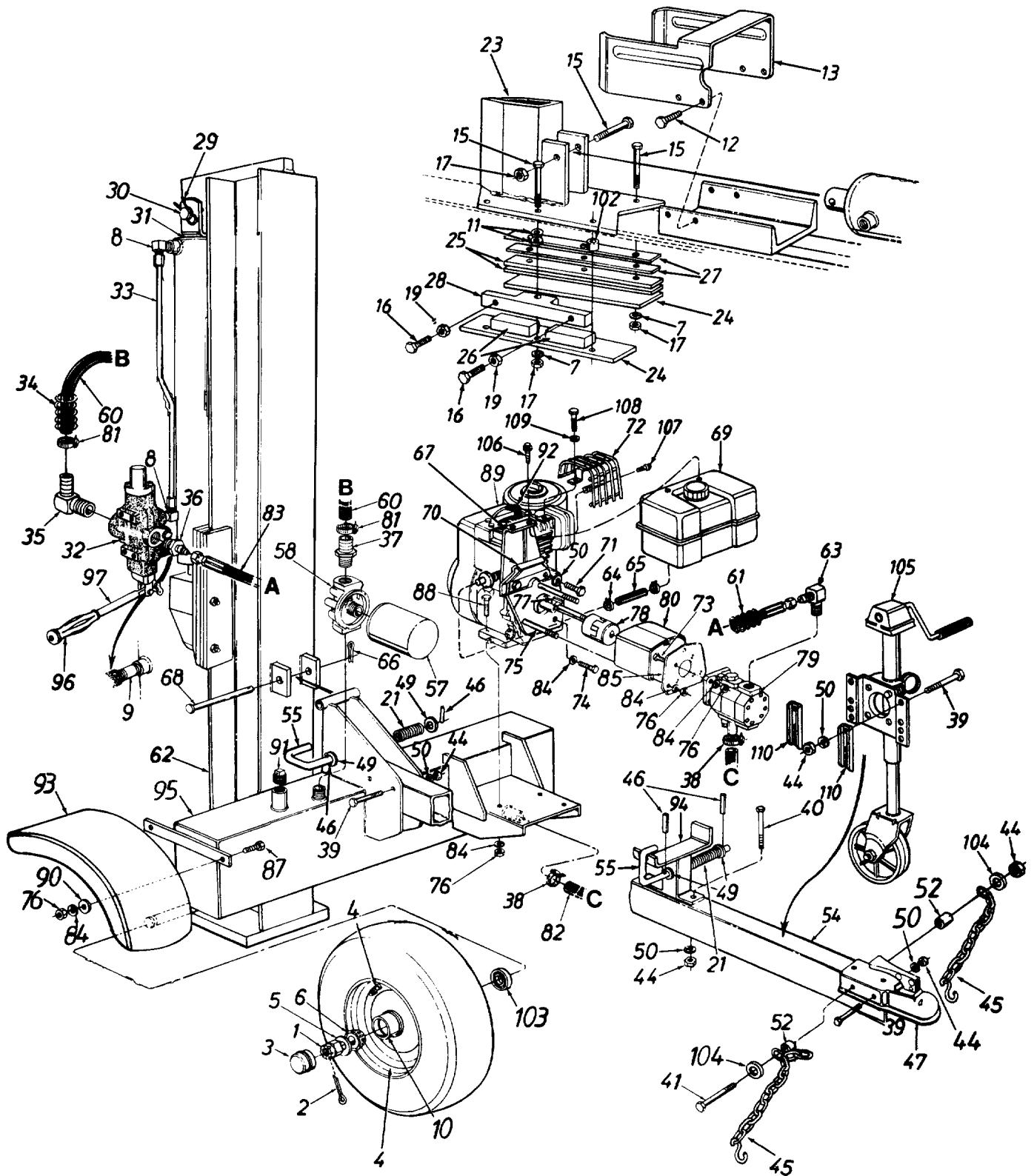
Models 635 and 636

PARTS LIST FOR MODELS 635 AND 636 LOG SPLITTERS

REF. NO.	PART NO.	CODE	DESCRIPTION	REF. NO.	PART NO.	CODE	DESCRIPTION
1	712-0359		Slotted Nut 3/4-16 Thd.	54	781-0399		Tongue Tube
2	714-0162		Cotter pin 5/32" Dia.	55	781-0370A		Locking Rod
3	734-0873		Hub Cap	56	781-0398		Beam Support Ass'y.
4	734-1016		Wheel Ass'y. Comp.	57	723-0405		Filter Element
	734-0872		Tire Only	58	723-0406		Filter Head
	734-1017		Rim Only	60	727-0443		Return Hose 3/4" I.D. x 44" Lg.
	734-0255		Air Valve Only	62	681-0014		Vertical Beam Ass'y.
5	736-0351		FI-Wash. .76" I.D. x 1.5" O.D.	64	726-0199		Hose Clamp .37" Dia. (636)
6	741-3028		Bearing Cone	65	751-0535-15		Fuel Line 15" Lg. (636)
7	736-0921		L-Wash. 1/2" I.D.*	66	714-0470		Cotter Pin 1/8" Dia.
8	737-0192		90° Solid Male Adaptor	67	681-0034		Tank Mtg. Brkt. (636)
9	737-0238		Pipe Nipple 1/2 NPT	68	738-0805		Hinge Pin 1/2 x 4.8" Lg.
10	741-3029		Bearing Cup	69	751-0570		Fuel Tank Ass'y. (636)
11	737-0265		90° Male Adapter (635)	70	781-0536		Support Brkt. (636)
	737-0264		90° Male Adapter (636)	71	710-0253		Hex Bolt 3/8-16 x 1" Lg. (636)
12	736-0192		FI-Wash. .531" I.D. x .94" O.D.	73	710-0117		Hex Bolt 5/16-24 x 1" Lg.
13	710-0514		Hex Cap Scr. 3/8-16 x 1" Lg.	74	710-0237		Hex Bolt 5/16-24 x .62" Lg.
15	710-1018		Hex Bolt 1/2-20 x 2.75" Lg. (Grade 8)	75	710-0363		Hex Bolt 5/16-24 x 4" Lg. (635)
16	710-1032		Hex Bolt 3/8-24 x 1.5" Lg.		710-1253		Hex Bolt 5/16-24 x 5.25" Lg. (636)
17	712-0239		Hex L-Nut 1/2-20 Thd.	76	712-0123		Hex Nut 5/16-24 Thd.
19	712-3001		Hex Jam Nut 3/8-24 Thd. (Grade 5)	77	714-0122		Sq. Key 3/16" x .75" (635)
21	732-0583		Comp. Spring 4" Lg.		714-0114		Sq. Key 1/4" x 2" Lg. (636)
23	781-0323B		Wedge Ass'y.	78	717-0891		Flexible Coupling (635)
24	781-0537		Back Plate		717-0462		Flexible Coupling (636)
25	781-0350A		Fixed Side Gib	79	717-0936		Gear Pump (635)
26	781-0351		Adjustable Gib		718-0248		Gear Pump (636)
27	781-0352A		Adjustable Gib Shim	80	719-0278		Coupling Shield (635)
28	781-0356		Floating Gib Plate		719-0315		Coupling Shield (636)
29	714-0203		External Cotter Pin	81	726-0132		Hose Clamp 5/8"
30	715-0216		Cylinder Mounting Pin	82	727-0451		Suction Hose
31	718-0246		Hydraulic Cylinder	83	727-0452		High Pressure Hydraulic Hose 48"
32	717-0899		Control Valve	84	736-0119		L-Wash. 5/16" I.D.*
33	727-0323		Metal Pressure Tube	85	781-0097		Rear Coupling Support Brkt.
35	737-0153		Return Elbow	86	781-0098		Front Coupling Support Brkt. (635)
36	737-0279		Adapter				
37	737-0235		3/4" Hose Barb.	87	710-0157		Hex Bolt 5/16-24 x .75" Lg.
38	726-0174		Hose Clamp	88	710-0409		Hex Bolt 5/16-24 x 1.75" Lg.
39	710-0521		Hex Bolt 3/8-16 x 3" Lg. (Grade 8)	89	—		Engine
40	710-0411		Hex Bolt 3/8-16 x 4" Lg.	90	736-0159		FI-Wash. .344" I.D. x .875" O.D.
41	710-0944		Hex Bolt 3/8-16 x 4.25" Lg. (Grade 5)	91	737-0236		L-Vent Pipe Plug
42	711-0813		Clevis Pin 5/16 x 2.5" Lg.	92	735-0639		Spark Plug Boot (Optional)
43	712-0375		Hex L-Nut 3/8-16 Thd.	93	781-0556		Fender
44	712-0798		Hex Nut 3/8-16 Thd.	95	681-0011		Frame Weldment
45	713-0433		Chain—Tow Hitch	96	720-0235		Grip
46	715-0116		Roll Pin	97	747-0583		Control Handle
47	727-0311		Hitch Coupler	98	732-0194		Spring Pin
49	736-0116		FI-Wash. .635" I.D. x .93" O.D.	99	781-0525		Dislodger
50	736-0169		L-Wash. 3/8" I.D.*	102	750-0750		Spacer 1/2" I.D. x .86" Lg.
51	736-0185		FI-Wash. .406" I.D. x .75" O.D.	103	721-0168		Bearing Seal Only
52	750-0497		Spacer .44" Lg.	104	736-0262		FI-Wash. 3/8" I.D. x .87" O.D.
53	781-0162		Jack Stand	106	710-0895		Hex AB-Tap Scr. 1/4 x .75" Lg. (636)

*For faster service obtain standard nuts, bolts and washers locally.
If these items cannot be obtained locally, order by part number
and size as shown on parts list.

Model 638



Model 638

PARTS LIST FOR MODEL 638 LOG SPLITTER

REF. NO.	PART NO.	CODE	DESCRIPTION	REF. NO.	PART NO.	CODE	DESCRIPTION
1	712-0359		Slotted Nut 3/4-16 Thd.	55	781-0370A		Locking Rod
2	714-0162		Cotter Pin 5/32" Dia.	57	723-0405		Filter Element
3	734-0873		Hub Cap	58	723-0406		Filter Head
4	734-1016		Wheel Ass'y. Comp.	60	727-0443		Return Hose 3/4" I.D. x 44" Lg.
	734-0872		Tire Only	61	781-0538		Hose Guard
	734-1017		Rim Only	62	681-0014		Vertical Beam Weldment
	734-0255		Air Valve Only	63	737-0264		90° Adapter (Male)
5	736-0351		Fl-Wash. .76" I.D. x 1.5" O.D.	64	726-0199		Hose Clamp .37" Dia.
6	741-3028		Bearing Cone	65	751-0535-15		Fuel Line (6" Lg.)
7	736-0921		L-Wash. 1/2" I.D.*	66	714-0470		Cotter Pin 1/8" Dia.
8	737-0192		90° Solid Male Adaptor	67	781-0535		Tank Mtg. Brkt.
9	737-0238		Pipe Nipple 1/2 NPT	68	738-0805		Hinge Pin 1/2 x 4.8" Lg.
10	741-3029		Bearing Cup	69	751-0570		Fuel Tank Ass'y.
11	736-0192		Fl-Wash. .531" I.D. x .94" O.D.	70	781-0536		Support Brkt.
12	710-0514		Hex Cap Scr. 3/8-16 x 1" Lg.	71	710-0253		Hex Bolt 3/8-16 x 1" Lg.
13	781-0525		Dislodger	72	751-0580		Muffler Guard
15	710-1018		Hex Bolt 1/2-20 x 2.75" Lg. (Grade 8)	73	710-0117		Hex Bolt 5/16-24 x 1" Lg.
				74	710-0237		Hex Bolt 5/16-24 x .62" Lg.
16	710-1032		Hex Bolt 3/8-24 x 1.5" Lg.	75	710-1253		Hex Bolt 5/16-24 x 5.25" Lg.
17	712-0239		Hex L-Nut 1/2-20 Thd.	76	712-0123		Hex Nut 5/16-24 Thd.
19	712-3001		Hex Jam Nut 3/8-24 Thd. (Grade 5)	77	714-0114		Sq.-Key 1/4" x 2" Lg.
				78	717-0462		Flexible Coupling
21	732-0583		Comp. Spring 4" Lg.	79	718-0248		Gear Pump
23	781-0323B		Wedge Ass'y.	80	719-0315		Coupling Shield
24	781-0537		Back Plate	81	726-0132		Hose Clamp 5/8"
25	781-0350A		Fixed Side Gib	82	727-0451		Suction Hose 1" I.D.
26	781-0351		Adjustable Gib	83	727-0452		High Pressure Hydraulic Hose 48"
27	781-0352A		Adjustable Gib Shim				
28	781-0356		Floating Gib Plate	84	736-0119		L-Wash. 5/16" I.D.*
29	714-0203		External Cotter Pin	85	781-0097		Rear Coupling Support Brkt.
30	715-0216		Cylinder Mounting Pin	87	710-0157		Hex Bolt 5/16-24 x .75" Lg.
31	718-0247		Hydraulic Cylinder	88	710-0409		Hex Bolt 5/16-24 x 1.75" Lg.
32	717-0899		Control Valve	89	—		Engine
33	727-0323		Metal Pressure Tube	90	736-0159		Fl-Wash. .344" I.D. x .875" O.D.
34	781-0526		Hose Guard				
35	737-0153		Return Elbow	91	737-0236		L-Vent Pipe Plug
36	737-0279		Adapter	92	735-0639		Spark Plug Boot (Optional)
37	737-0235		3/4" Hose Barb.	93	781-0556		Fender
38	726-0174		Hose Clamp 1.5" O.D.	94	681-0008		Support Ass'y.
39	710-0521		Hex Bolt 3/8-16 x 3" Lg. (Grade 8)	95	681-0011		Frame Weldment
				96	720-0235		Grip
40	710-3153		Hex Bolt 3/8-16 x 4.75" Lg.	97	747-0583		Control Handle
41	710-0944		Hex Bolt 3/8-16 x 4.25" Lg.	102	750-0750		Spacer 1/2" I.D. x .86" Lg.
44	712-0798		Hex Nut 3/8-16 Thd.	103	721-0168		Bearing Seal Only
45	713-0433		Chain—Tow Hitch	104	736-0262		Fl-Wash. 3/8" I.D. x .87" O.D.
46	715-0116		Roll Pin	105	681-0006		Jack Stand
47	727-0311		Hitch Coupler	106	710-0895		Hex AB-Tap Scr. 1/4 x 3/4" Lg.
49	736-0116		Fl-Wash. .635" I.D. x .93" O.D.	107	710-0200		Hex Wash. Hd. Scr. #8 x .5" Lg.
50	736-0169		L-Wash. 3/8" I.D.*	108	710-0289		Hex Bolt 1/4-20 x .5" Lg.*
52	750-0497		Spacer .445" Lg.	109	736-0142		Fl-Wash. .25" I.D. x .5" O.D.
54	781-0368A		Tongue Tube	110	781-0558		Jack Stand Brkt.

*For faster service obtain standard nuts, bolts and washers locally.
If these items cannot be obtained locally, order by part number
and size as shown on parts list.