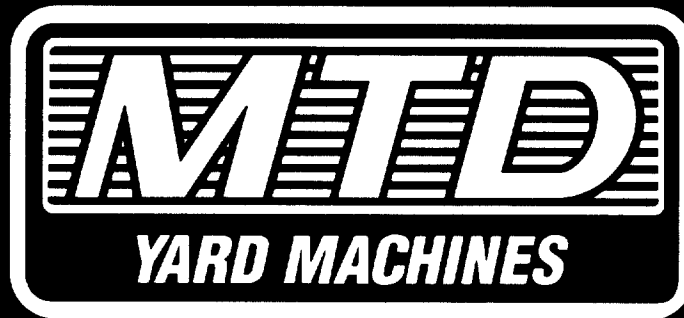


ILLUSTRATED PARTS

AMERICAN  AMERICAN
M A D E O W N E D
OUTDOOR POWER EQUIPMENT

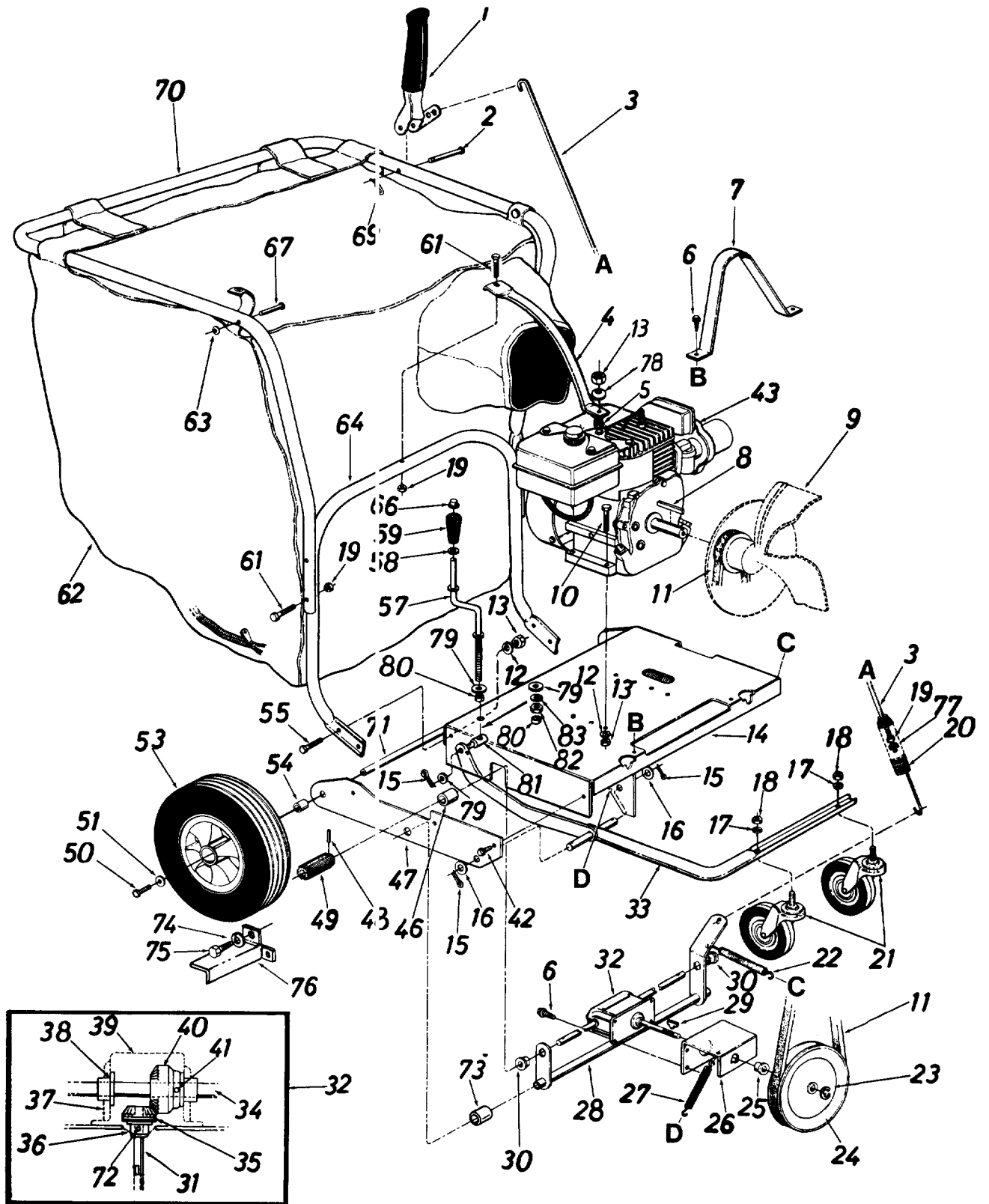


1996

VACUUMS / LEAF BLOWERS

Model Number	Pages
246-685-000	2-4
246-689-000	2-4
246-692-000.....	5, 6
246-697-000.....	5, 6
246-699-000.....	5, 6
290-204-000.....	7
290-210-000.....	7

Models 685 and 689



Models 685 and 689

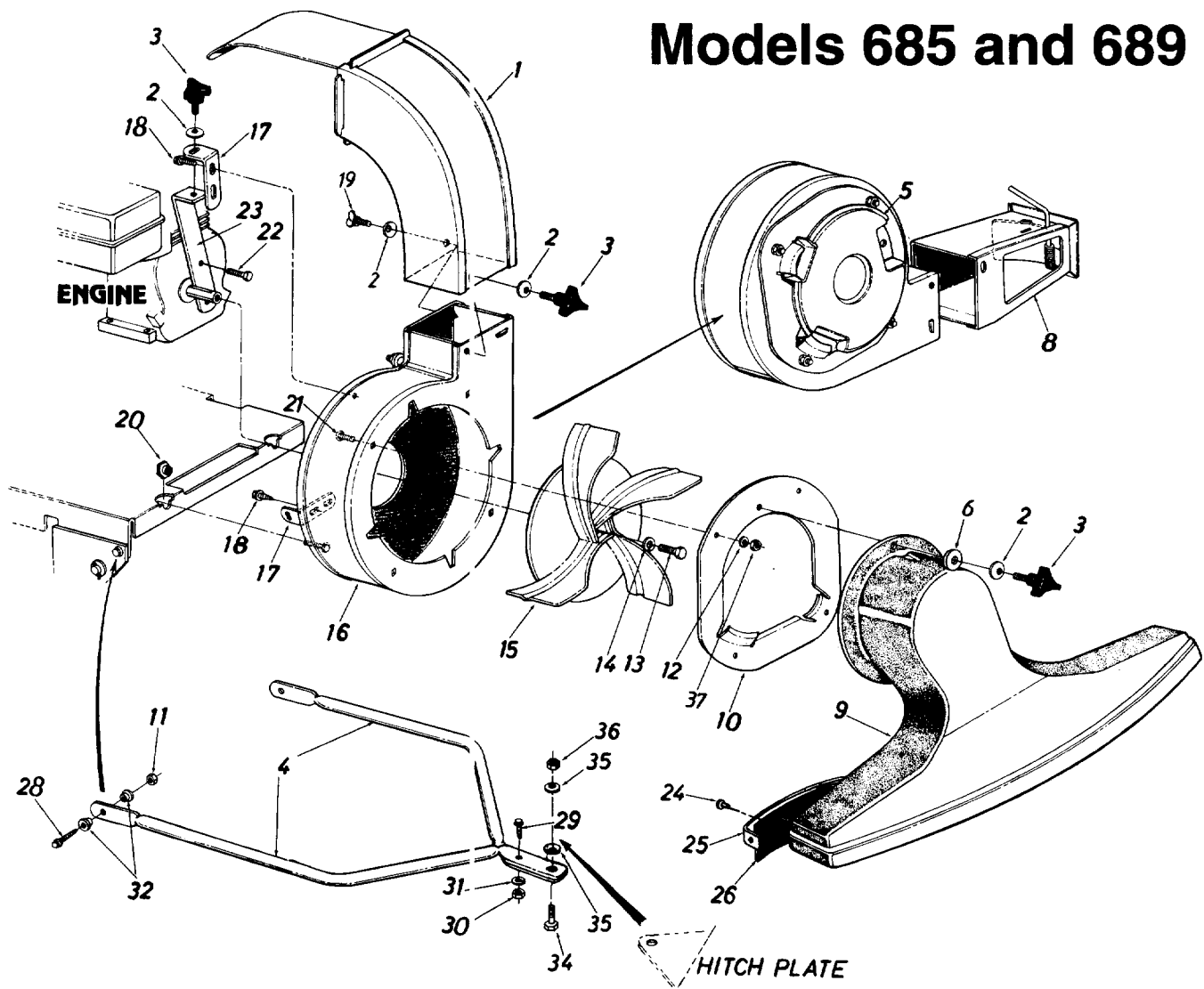
PARTS LIST FOR MODELS 685 AND 689 POWER VACUUMS

REF. NO.	PART NO.	CODE	DESCRIPTION	REF. NO.	PART NO.	CODE	DESCRIPTION
1	05778B		Clutch Grip Ass'y.	43	—		Engine
2	711-0679		Clevis Pin .375" Dia. x 1.88"		751-0581		Muffler Guard Ass'y. (Incl. Hardware)††
3	747-0154		Clutch Rod 32" Lg.				Spacer .63" I.D. x .88" O.D. x .56" Lg.
4	749-0787		Handle Brace	46	748-0201		Side Plate
5	—		Part of Engine				Spring Pin Spiral 3/16" Dia. x 1" Lg.
6	710-0892		Hex Wash. Hd. AB-Tap Scr. 1/4" x .62" Lg.	47	14530		Drive Pinion
				48	715-0247		Hex Locking Bolt 5/16-24 x .62" Lg.
7	14558		Belt Guard				FI-Wash. .34" I.D. x .87" O.D.
8	714-0114		Square Key 1/4" x 2" Lg.	49	748-0288		Wheel Ass'y. Comp. 12" x 3" (Incl. Ball Bearings)
9	14557A		Air Vane Plate Ass'y. w/Pulley	50	710-0170		Spacer .63" I.D. x 1.0" O.D. x .94" Lg.
10	710-0442		Hex Bolt 5/16-18 x 1.5" Lg.*				Hex Bolt 5/16-18 x .75" Lg.*
11	754-0219		"V"-Belt	51	736-0159		Height Adjustment Crank
12	736-0119		L-Wash. 5/16" I.D.*	53	734-1035		FI-Wash. .385" I.D. x .62" O.D.
13	712-0267		Hex Nut 5/16-18 Thd.*				Crank Knob
14	16454		Engine Mounting Frame Ass'y.	54	750-0194		Hex Bolt 1/4-20 x 1.75" Lg.
15	714-0115		Cotter Pin 1/8" Dia. x 1" Lg.*				Vacuum Bag—Felt
16	736-0187		FI-Wash. .63" I.D. x 1.25" O.D.	55	710-0118		Push Speed Nut .25" Dia. Stud
17	736-0921		L-Wash. 1/2" I.D.*	57	747-0542		Lower Handle
18	712-0206		Hex Nut 1/2-13 Thd.*	58	736-0117		Push Nut 3/8" Dia.
19	712-0107		Hex Cent. L-Nut 1/4-20 Thd.	59	720-0171		Stud Pin .250" Dia. x 1.75"
20	732-0411		Extension Spring .78" O.D. x .75" Lg.	61	710-0136		Internal Cotter Pin 3/8" Dia.
				62	764-0162A		Upper Handle
21	734-1036		Swivel Caster Wheel 5" Dia. x 1.25"	63	1539-019		Rear Axle
				64	749-0785		Spring Roll Pin 5/32" Dia. x 1.12
22	732-0409		Extension Spring .38" O.D. x 7.50" Lg.	66	726-0100		Spacer .82" I.D. x 1.0" O.D. x .305 Lg.
				67	711-0737		L-Wash. .265" I.D.
23	716-0104		Snap "E"-Ring .50" Dia. Shaft	69	714-0145		Hex Self-Tap Scr. 1/4" x 3/8" Lg.
24	756-0367		"V"-Pulley 5/8" x 6.50" O.D.	70	749-0786		R.H. Pinion Guard
25	748-0142		Flange Bearing .502" I.D.	71	738-0185		L.H. Pinion Guard (Not Shown)
26	14570		Gear Box Mounting Bracket	72	715-0249		Hex Jam Nut 1/4-20 Thd.
27	732-0376		Extension Spring .75" O.D. x 3.28" Lg.				Belleville Washer
				73	750-0142		FI-Wash. .35" I.D. x .87" O.D.
28	14565		Clutch Bracket Ass'y.				Spacer .38" I.D. x .50" O.D. x .18" Lg.
29	714-0229		#2 Woodruff Key 3/32" Dia. x .81" Lg.	74	736-0175		Ferrule 3/8-8 x .38" Dia.
				75	710-0352		Hex Nut 3/8-8 Thd.
30	748-0227A		Hex Flange Bearing Bronze .625" I.D.				L-Wash. 3/8" I.D.*
				76	14556		10 oz. Tube Benalene #372-0 Grease (3 oz. Req'd.)
31	738-0516		Pinion Shaft .50" Dia. x 5"		14555		
32	717-0493		Gear Box Ass'y. Comp.	77	712-0298		
33	16273		Caster Arm Ass'y.	78	736-0242		
34	08348		Drive Shaft	79	736-0300		
35	748-0136		Bevel Gear .50" I.D. x 14 Teeth	80	750-0528		
36	748-0108		Flange Bearing .503" I.D.				
37	753-0218		Gear Box (Incl. Ref. 36 & 38)	81	711-0797		
38	748-0110		Flange Bearing .630" I.D.	82	712-0354		
39	08187		Gear Box Cover	83	736-0169		
40	748-0135		Bevel Gear .62" I.D. x 28 Teeth	—	737-0223		
41	715-0246		Spring Pin Spiral 3/16" Dia. x 1.25" Lg.				
42	710-0726		Hex Wash. Hd. AB-Tap Scr. 5/16" x .75" Lg.				

††Optional Parts

*For faster service obtain standard nuts, bolts and washers locally. If these items cannot be obtained locally, order by part number and size as shown on parts list.

Models 685 and 689

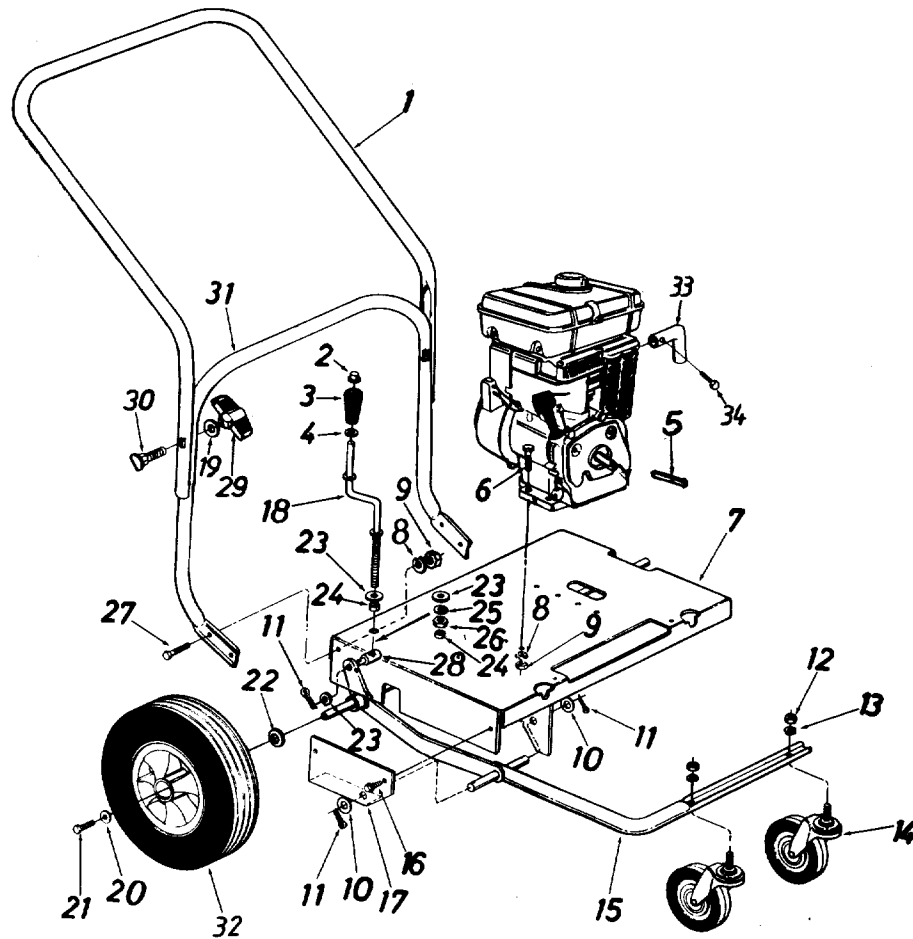


PARTS LIST FOR MODELS 685 AND 689 POWER VACUUMS

REF. NO.	PART NO.	CODE	DESCRIPTION	REF. NO.	PART NO.	CODE	DESCRIPTION
1	14532		Air Duct Assembly	19	710-1258		Thumb Screw 5/16-18
2	736-0242		Belleville Wash. .34" I. D. x .87" O.D.	20	711-0758		Hex Shoulder Nut .50 I.D.
3	720-0170		Hand Knob	21	710-0260		Carriage Bolt 5/16-18 x .62"
4	749-0501		Tow Bar Half††	22	710-0627		Hex Locking Bolt 5/16-24 x .75" Lg.
5	731-0608		Impeller Guard	23	14539		Housing—Engine Brace Ass'y.
6	736-0231		Fl-Wash. .344" I.D. x 1.125" O.D.	24	728-0173		Pop Rivet (5 Required)
8	14479		Directional Discharge Ass'y.	25	14569		Wiper Retaining Strip
9	14562B		Nozzle Ass'y. (Black)	26	735-0214		Nozzle Wiper
	731-1123		Nozzle Ass'y. (Beige)	28	710-0602		Hex Bolt 5/16-18 x 1.00" Lg.*††
10	14563A		Nozzle Plate Ass'y.	29	710-0255		Truss Mach. Scr. 1/4-20 x .75"††
11	712-0267		Hex Nut 5/16-18 Thd.*	30	712-0287		Hex Nut 1/4-20 Thd.*††
12	736-0119		L-Wash. 5/16" I.D.*	31	736-0329		L-Wash. 1/4" I.D.*††
13	710-0191		Hex Bolt 3/8-24 x 1.25" Lg.*	32	748-0234		Shoulder Spacer††
14	736-0217		L-Wash. 3/8" I.D. H.D.	34	738-0143		Shld. Bolt .496 Dia.††
15	14557A		Air Vane Plate Ass'y. w/Pulley	35	736-0219		Belleville Wash. .39" I.D. x 1.12" O.D.††
16	14496A		Blower Housing Complete	36	712-0181		Hex Jam L-Nut 3/8-26 Thd.††
17	14541		Right Angle Bracket	37	712-3010		Hex Nut 5/16-18 Thd. (Gr. 5)
18	710-0600		Hex Self-Tap Scr. 5/16-18 x .50" Lg.				

††Optional Parts

Models 692, 697 and 699

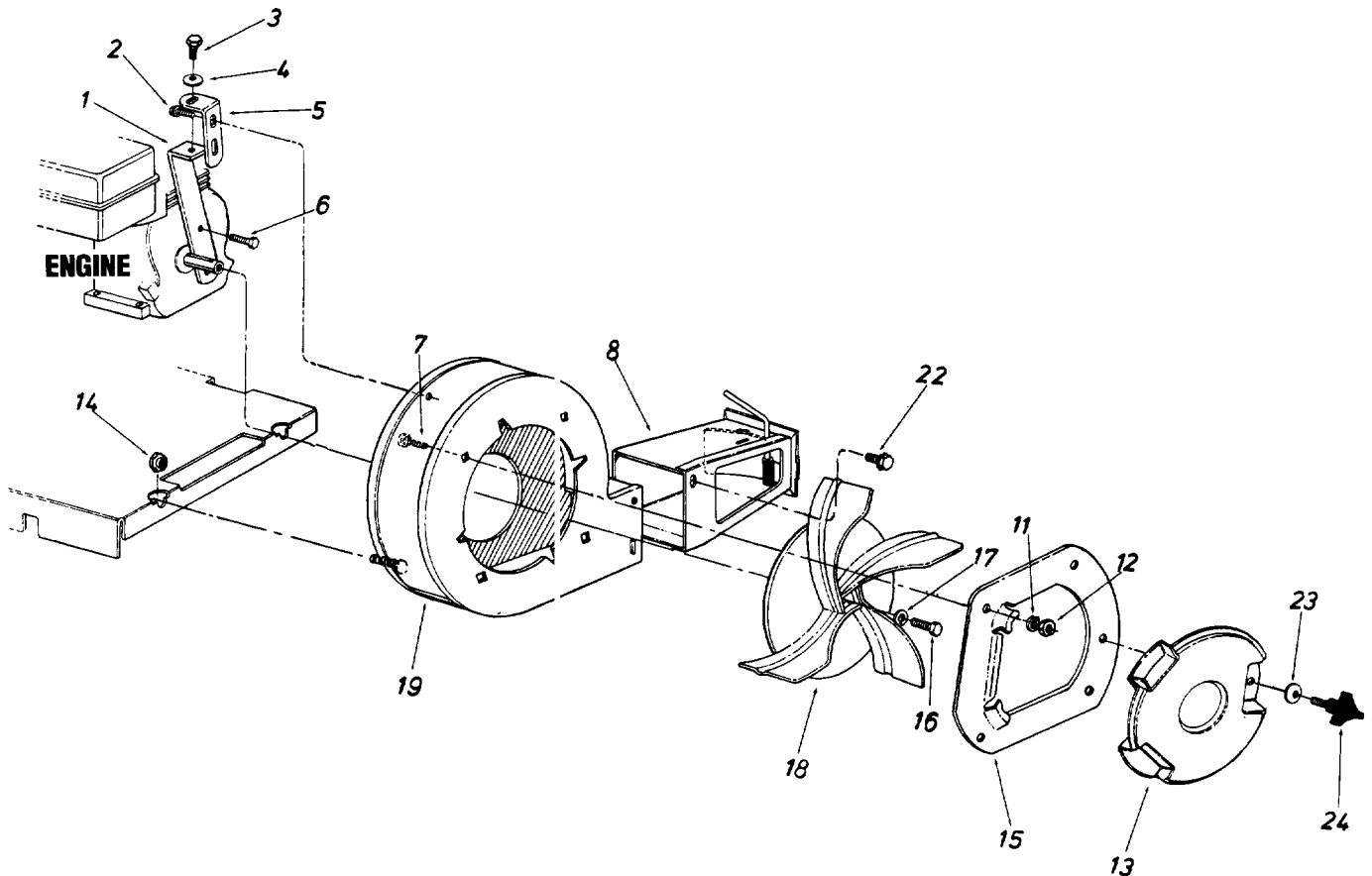


PARTS LIST FOR MODELS 692, 697 AND 699 LEAF BLOWERS

REF. NO.	PART NO.	CODE	DESCRIPTION	REF. NO.	PART NO.	CODE	DESCRIPTION
1	749-0784		Upper Handle	21	710-0170		Hex L-Bolt 5/16-24 x .64" Lg.
2	726-0100		Push Nut 3/8" Rod	22	736-0162		Fl-Wash. (692 Only)
3	720-0171		Crank Knob	23	736-0300		Fl-Wash. .38" I.D. x .57"
4	736-0117		Fl-Wash. .385" I.D. x .62"	24	750-0528		Spacer .382" I.D. x .50" x .180" Lg.
5	714-0114		Sq. Key 1/4" x 2.0" Lg.*†	25	736-0169		L-Wash. 3/8" I.D.*
6	710-0442		Hex Bolt 5/16-18 x 1.50" Lg.*	26	712-0354		Hex Nut 3/8-8 Thd.
7	16453		Engine Mounting Frame Ass'y.	27	710-0118		Hex Bolt 5/16-18 x .75" Lg.*
8	736-0119		L-Wash. 5/16" I.D.*	28	711-0797		Ferrule
9	712-0267		Hex Nut 5/16-18 Thd.*	29	720-0241		Hand Knob
10	736-0187		Fl-Wash. .63" I.D. x 1.25"	30	710-1174		Carriage Bolt 5/16-18 x 2.0"
11	714-0115		Cotter Pin 1/8" Dia. x 1.0"	31	749-0785		Lower Handle
12	712-0206		Hex Nut 1/2-13 Thd.*	32	734-1035		Wheel Ass'y. Comp. 12" x 3"
13	736-0921		L-Wash. 1/2" I.D.*				(Plastic) (Incl. Bearings)
14	734-1036		Swivel Caster Wheel 5" Dia. x 1.25"		734-1184		Wheel Ass'y. Comp. 10.5" x 4" (Steel)
15	16273		Caster Arm Ass'y.		734-1185		Tire Only (For 734-1184 Wheel)
16	710-0726		Hex Wash. Hd. "AB" Tap Scr. 5/16" x .75" Lg.		734-1183		Rim Only (For 734-1184 Wheel)
17	14529		Caster Arm Bracket		741-0313		Flange Bearings (For 734-1184 Wheel)
18	747-0542		Height Adjustment Crank	33	751-0596		Outlet Pipe (697)
19	736-0451		Saddle Wash. .32" I.D. x .93"	34	710-0227		Hex Wash. Hd. AB-Tap Scr. #8 x .5" Lg. (697)
20	736-0159		Fl-Wash. .34" I.D. x .87" O.D.				

†Used with keyed engine crankshaft.

Models 692, 697 and 699



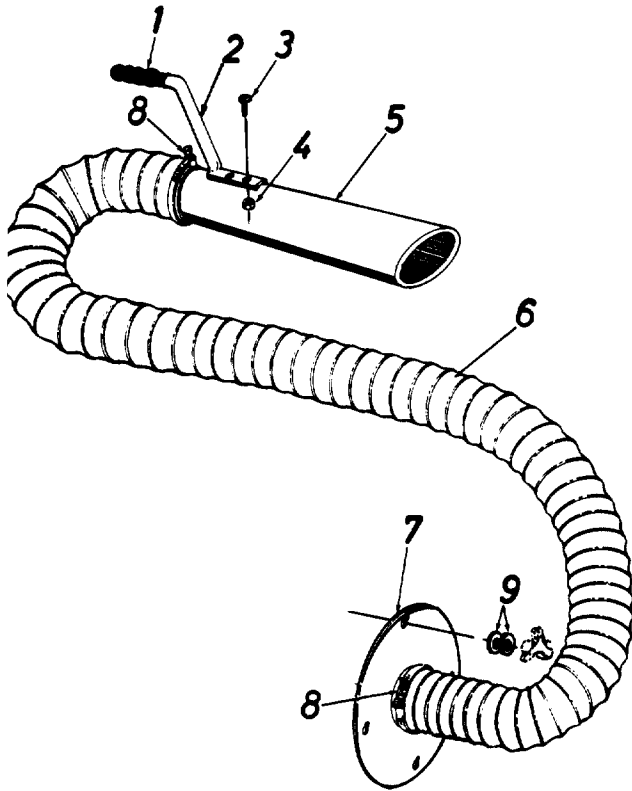
PARTS LIST FOR MODELS 692, 697 AND 699 LEAF BLOWERS

REF. NO.	PART NO.	CODE	DESCRIPTION	REF. NO.	PART NO.	CODE	DESCRIPTION
1	14539		Engine Housing Brace Ass'y.	15	14563		Nozzle Plate Ass'y.
2	710-0600		Hex Self-Tap Scr. 5/16" x .5"	16	710-0191		Hex Bolt 3/8-24 x 1.25"†
3	710-0118		Hex Bolt 5/16-18 x .75" Lg.*		710-1254		Hex L-Bolt 3/8-24 x 2.25" Lg.††
4	736-0119		L-Wash. 5/16" I.D.*	17	736-0217		L-Wash. 3/8" I.D.—H.D.
5	14541		Right Angle Bracket	18	14536A		Air Vane Plate Ass'y.†
6	710-0627		Hex Locking Bolt 5/16 24 x .75"		681-0075		Air Vane Plate Ass'y.††
7	710-0260		Carriage Bolt 5/16-18 x .62"	19	14496A		Blower Housing Ass'y.—Comp.
8	14479		Directional Discharge Ass'y.	22	710-0259		Hex Sems Bolt 5/16-18 x .62" Lg.*
11	736-0119		L-Wash. 5/16" I.D.*	23	736-0242		Bell-Wash. .34" I.D. x .87" O.D.
12	712-3010		Hex Nut 5/16-18 Thd. (Gr. 5)	24	720-0170		3-Arm Thumb Scr. 5/16-18 x .75" Lg.
13	731-0608		Blower Guard				
14	711-0758		Hex Shoulder Nut .50" I.D.				

† Used with keyed engine crankshaft.
 †† Used with tapered engine crankshaft.

Hose Attachment Kit

**Model Number
290-204-000**

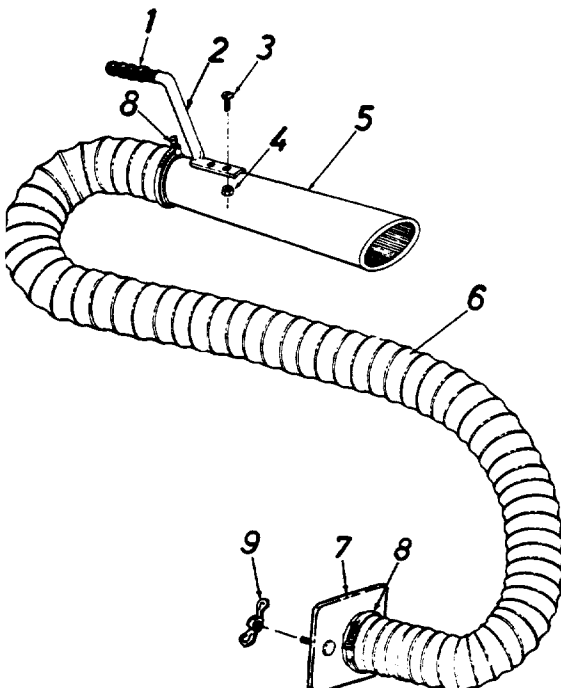


PARTS LIST FOR KIT 290-204-000

REF. NO.	PART NO.	DESCRIPTION
1	07071	Handle Grip
2	12229A	Handle
3	710-0399	Truss Sems Scr. 10-24 x 1/2" Lg.*
4	712-0121	Hex Nut 10-24 Thd.*
5	731-0213	Hose Nozzle
6	723-0294	Flexible Hose 4" Dia. x 10' Lg.
7	14568	Hose Adapter
8	723-0295	Hose Clamp—For 4" Dia. Hose
9	736-0231	Flat Washer .34 I.D. x 1.12 O.D.
10	764-0199A	Bag (Optional)

Hose Attachment Kit

**Model Number
290-210-000**



PARTS LIST FOR MODEL 290-210-000 HOSE KIT

REF. NO.	PART NO.	DESCRIPTION
1	07071	Handle Grip
2	12229A	Handle
3	710-0399	Truss Sems Scr. 10-24 x 1/2" Lg.*
4	712-0121	Hex Nut 10-24 Thd.*
5	731-0213	Hose Nozzle
6	723-0294	Flexible Hose 4" Dia. x 10'
7	15776	Hose Adapter Plate
8	723-0295	Hose Clamp—4"
9	712-0113	Wing Nut 1/4-20 Thd.

