
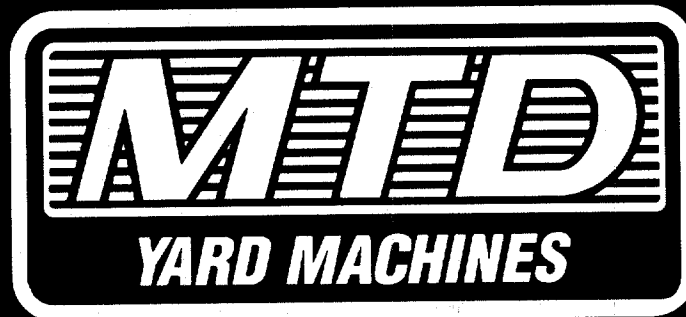


ILLUSTRATED PARTS

AMERICAN  AMERICAN
M A D E O W N E D
OUTDOOR POWER EQUIPMENT

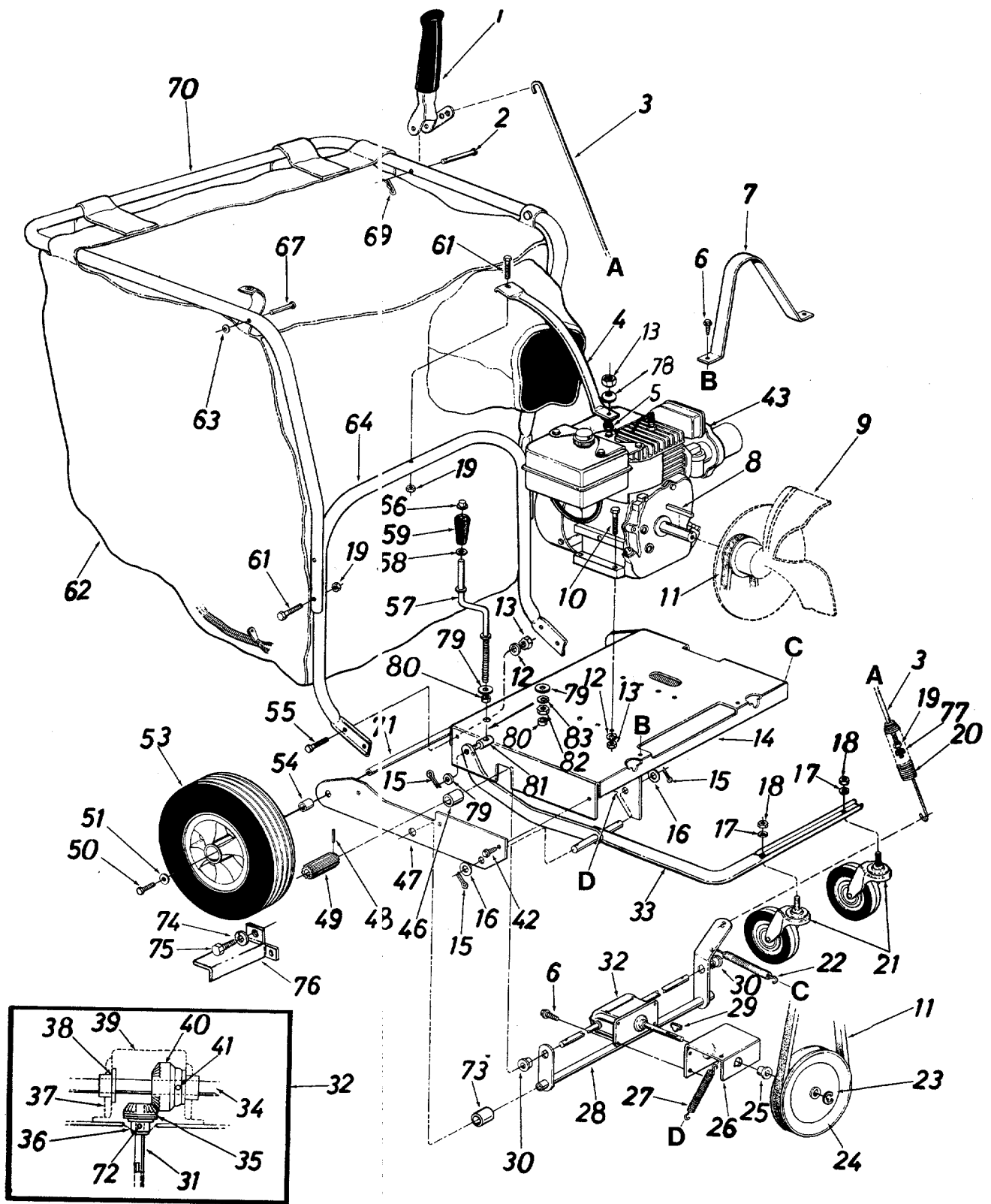


1994

VACUUMS / LEAF BLOWERS

Model Number	Pages
244-675-000	2-4
244-685-000	2-4
244-689-000	2-4
244-692-000	5, 6
244-693-000	5, 6
290-204-000	7
290-210-000	7

Models 675, 685 and 689



Models 675, 685 and 689

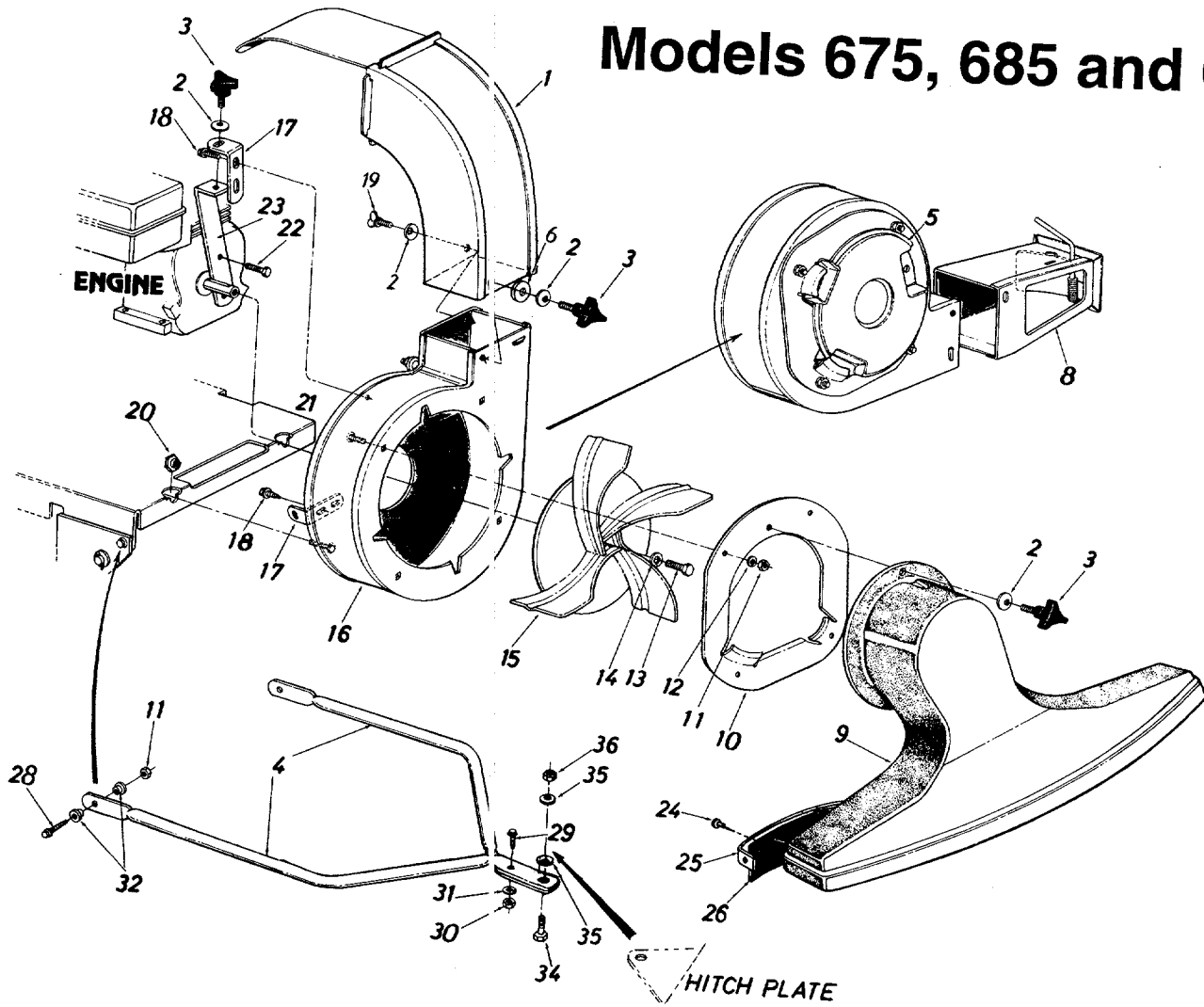
PARTS LIST FOR MODELS 675, 685 AND 689 POWER VACUUMS

REF. NO.	PART NO.	CODE	DESCRIPTION	REF. NO.	PART NO.	CODE	DESCRIPTION
1	05778B		Clutch Grip Ass'y.†	43	—		Engine
2	711-0679		Clevis Pin .375" Dia. x 1.88"†		751-0581		Muffler Guard Ass'y. (Incl. Hardware)††
3	747-0154		Clutch Rod 32" Lg.†	46	748-0201		Spacer .63" I.D. x .88" O.D. x .56" Lg.†
4	749-0787		Handle Brace (Painted)				Side Plate
5	—		Part of Engine	47	14530		Spring Pin Spiral 3/16" Dia. x 1" Lg.†
6	710-0892		Hex Wash. Hd. AB-Tap Scr. 1/4" x .62" Lg.†	48	715-0247		Drive Pinion†
7	14558		Belt Guard†	49	748-0288		Hex Locking Bolt 5/16-24 x .62" Lg.
8	714-0114		Square Key 1/4" x 2" Lg.	50	710-0170		FI-Wash. .34" I.D. x .87" O.D.
9	14536A		Air Vane Plate Ass'y. (675 and 677)†	51	736-0159		Wheel Ass'y. Comp. 12" x 3" (Incl. Ball Bearings)
	14557A		Air Vane Plate Ass'y. w/Pulley	53	734-1035		Wheel Ass'y. Comp. 10.5" x 4" (677 Only)
10	710-0442		Hex Bolt 5/16-18 x 1.5" Lg.*				Bearings (677 Only)
11	754-0219		"V"-Belt†		734-1184		Spacer .63" I.D. x 1.0" O.D. x .94" Lg. (675, 685, 687)
12	736-0119		L-Wash. 5/16" I.D.*				Spacer .63" I.D. x .878" O.D. x .79" Lg. (677)
13	712-0267		Hex Nut 5/16-18 Thd.*		741-0313		Hex Bolt 5/16-18 x .75" Lg.*
14	16454		Engine Mounting Frame Ass'y.	54	750-0194		Height Adjustment Crank
15	714-0115		Cotter Pin 1/8" Dia. x 1" Lg.*				FI-Wash. .385" I.D. x .62" O.D.
16	736-0187		FI-Wash. .63" I.D. x 1.25" O.D.		748-0192		Crank Knob
17	736-0921		L-Wash. 1/2" I.D.*				Hex Bolt 1/4-20 x 1.75" Lg.
18	712-0206		Hex Nut 1/2-13 Thd.*	55	710-0118		Vacuum Bag—Felt
19	712-0107		Hex Cent. L-Nut 1/4-20 Thd.	57	747-0542		Push Speed Nut .25" Dia. Stud
20	732-0411		Extension Spring .78" O.D. x .75" Lg.†	58	736-0117		Lower Handle
			Swivel Caster Wheel 5" Dia. x 1.25"	59	720-0171		Push Nut 3/8" Dia.
21	734-1036		Extension Spring .38" O.D. x 7.50" Lg.†	61	710-0136		Stud Pin .250" Dia. x 1.75"
			Snap "E"-Ring .50" Dia. Shaft†	62	764-0162A		Internal Cotter Pin 3/8" Dia.
22	732-0409		"V"-Pulley 5/8" x 6.50" O.D.†	63	1539-019		Upper Handle
23	716-0104		Flange Bearing .502" I.D.†	64	749-0785		Rear Axle
24	756-0367		Gear Box Mounting Bracket†	66	726-0100		Spring Roll Pin 5/32" Dia. x 1.12†
25	748-0142		Extension Spring .75" O.D. x 3.28" Lg.†	67	711-0737		Spacer .82" I.D. x 1.0" O.D. x .305 Lg.†
26	14570		Clutch Bracket Ass'y.†	69	714-0145		L-Wash. .265" I.D.†
27	732-0376		#2 Woodruff Key 3/32" Dia. x .81" Lg.†	70	749-0786		Hex Self-Tap Scr. 1/4" x 3/8" Lg.†
			Hex Flange Bearing Bronze .625" I.D.†	71	738-0185		R.H. Pinion Guard†
28	14565		Pinion Shaft .50" Dia. x 5"†	72	715-0249		L.H. Pinion Guard (Not Shown)
29	714-0229		Gear Box Ass'y. Comp.†	73	750-0142		Hex Jam Nut 1/4-20 Thd.†
			Caster Arm Ass'y.	74	736-0175		Belleville Washer
30	748-0227A		Drive Shaft†	75	710-0352		FI-Wash. .35" I.D. x .87" O.D.
31	738-0516		Bevel Gear .50" I.D. x 14 Teeth	76	14556		Spacer .38" I.D. x .50" O.D. x .18" Lg.
32	717-0493		Flange Bearing .503" I.D.†		14555		Ferrule 3/8-8 x .38" Dia.
33	16273		Gear Box (Incl. Ref. 36 & 38)†	77	712-0298		Hex Nut 3/8-8 Thd.
34	08348		Flange Bearing .630" I.D.†	78	736-0242		L-Wash. 3/8" I.D.*
35	748-0136		Gear Box Cover†	79	736-0300		10 oz. Tube Benalene #372-0 Grease (3 oz. Req'd.)
36	748-0108		Bevel Gear .62" I.D. x 28 Teeth†	80	750-0528		
37	753-0218		Spring Pin Spiral 3/16" Dia. x 1.25" Lg.†				
38	748-0110		Hex Wash. Hd. AB-Tap Scr. 5/16" x .75" Lg.	81	711-0797		
39	08187			82	712-0354		
40	748-0135			83	736-0169		
41	715-0246				737-0223		
42	710-0726						

†Parts for Self-Propelled Units (Models 685, 689 and 687) Only.
 ††Optional Parts

*For faster service obtain standard nuts, bolts and washers locally.
 If these items cannot be obtained locally, order by part number and size as shown on parts list.

Models 675, 685 and 689

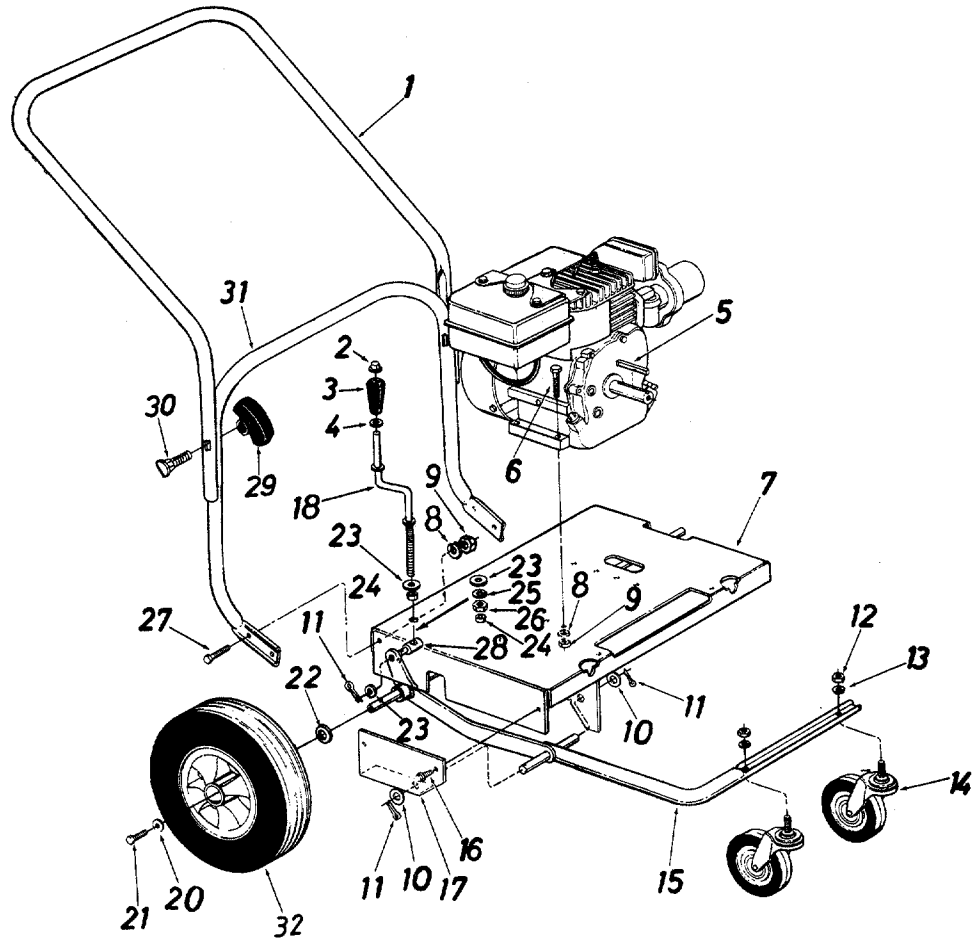


PARTS LIST FOR MODELS 675, 685 AND 689 POWER VACUUMS

REF. NO.	PART NO.	CODE	DESCRIPTION	REF. NO.	PART NO.	CODE	DESCRIPTION
1	14532		Air Duct Assembly	18	710-0600		Hex Self-Tap Scr. 5/16-18 x .50" Lg.
2	736-0242		Belleville Wash. .34" I.D. x .87" O.D.	19	710-1258	N	Thumb Screw 5/16-18
3	720-0170		Hand Knob	20	711-0758		Hex Shoulder Nut .50 I.D.
4	749-0501		Tow Bar Half††	21	710-0260		Carriage Bolt 5/16-18 x .62"
5	731-0608		Impeller Guard	22	710-0627		Hex Locking Bolt 5/16-24 x .75" Lg.
6	736-0231		FI-Wash. .344" I.D. x 1.125" O.D.	23	14539		Housing—Engine Brace Ass'y.
8	14479		Directional Discharge Ass'y.	24	728-0173		Pop Rivet (5 Required)
9	14562B		Nozzle Ass'y. (Black)	25	14569		Wiper Retaining Strip
	731-1123		Nozzle Ass'y. (Beige)	26	735-0214		Nozzle Wiper
10	14563		Nozzle Plate Ass'y.	28	710-0602		Hex Bolt 5/16-18 x 1.00" Lg.*††
11	712-0267		Hex Nut 5/16-18 Thd.*	29	710-0255		Truss Mach. Scr. 1/4-20 x .75"††
12	736-0119		L-Wash. 5/16" I.D.*	30	712-0287		Hex Nut 1/4-20 Thd.*††
13	710-0191		Hex Bolt 3/8-24 x 1.25" Lg.*	31	736-0329		L-Wash. 1/4" I.D.*††
14	736-0217		L-Wash. 3/8" I.D. H.D.	32	748-0234		Shoulder Spacer††
15	14536		Air Vane Plate Ass'y. (675 and 677)	34	738-0143		Shld. Bolt .496 Dia.††
	14557A		Air Vane Plate Ass'y. w/Pu ley (685, 689 and 687)	35	736-0219		Belleville Wash. .39" I.D. x 1.12" O.D.††
16	14496A		Blower Housing Complete	36	712-0181		Hex Jam L-Nut 3/8-26 Thd.††
17	14541		Right Angle Bracket				

††Optional Parts

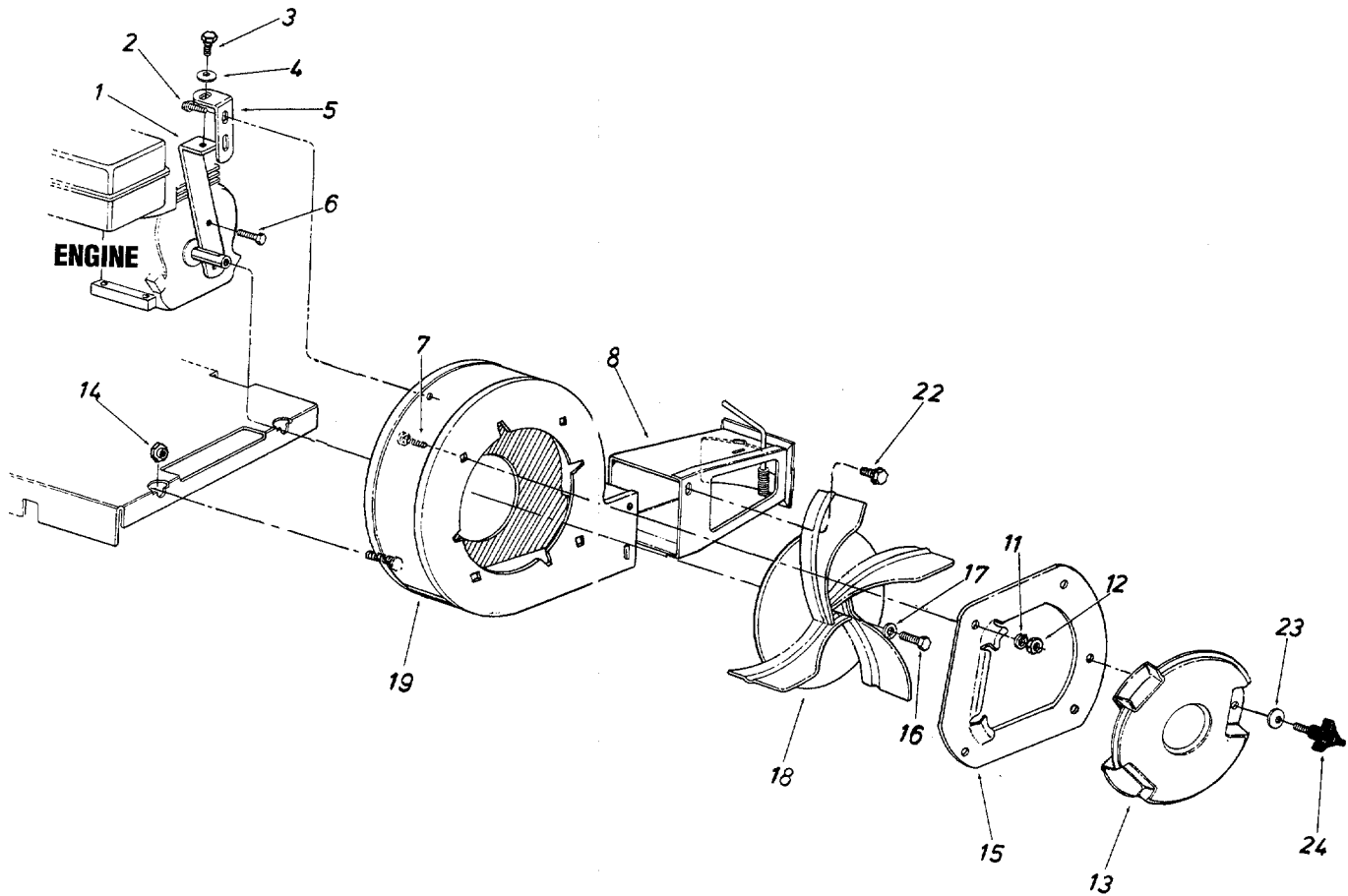
Models 692 and 693



PARTS LIST FOR MODELS 692 AND 693 LEAF BLOWERS

REF. NO.	PART NO.	CODE	DESCRIPTION	REF. NO.	PART NO.	CODE	DESCRIPTION
1	749-0784		Upper Handle	21	710-0170		Hex Locking Bolt 5/16-24 x .64" Lg.
2	726-0100		Push Nut 3/8" Rod	22	736-0162		Fl-Wash. (692 Only)
3	720-0171		Crank Knob	23	736-0300		Fl-Wash. .38" I.D. x .57"
4	736-0117		Fl-Wash. .385" I.D. x .62"	24	750-0528		Spacer .382" I.D. x .50" x .180" Lg.
5	714-0114		Sq. Key 1/4" x 2.0" Lg.*	25	736-0169		L-Wash. 3/8" I.D.*
6	710-0442		Hex Bolt 5/16-18 x 1.50" Lg.*	26	712-0354		Hex Nut 3/8-8 Thd.
7	16453		Engine Mounting Frame Ass'y.	27	710-0118		Hex Bolt 5/16-18 x .75" Lg.*
8	736-0119		L-Wash. 5/16" I.D.*	28	711-0797		Ferrule
9	712-0267		Hex Nut 5/16-18 Thd.*	29	09966		Hand Knob
10	736-0187		Fl-Wash. .63" I.D. x 1.25"	30	710-0487		Carriage Bolt 5/16-18 x 2.0"
11	714-0115		Cotter Pin 1/8" Dia. x 1.0"	31	749-0785		Lower Handle
12	712-0206		Hex Nut 1/2-13 Thd.*	32	734-1035		Wheel Ass'y. Comp. 12" x 3" (Plastic) (Incl. Bearings)
13	736-0921		L-Wash. 1/2" I.D.*				Wheel Ass'y. Comp. 10.5" x 4" (Steel)
14	734-1036		Swivel Caster Wheel 5" Dia. x 1.25"				Tire Only (For 734-1184 Wheel)
15	16273		Caster Arm Ass'y.				Rim Only (For 734-1184 Wheel)
16	710-0726		Hex Wash. Hd. "AB" Tap Scr. 5/16" x .75" Lg.				Flange Bearings (For 734-1184 Wheel)
17	14529		Caster Arm Bracket		734-1185		
18	747-0542		Height Adjustment Crank		734-1183		
20	736-0159		Fl-Wash. .34" I.D. x .87" O.D.		741-0313		

Models 692 and 693



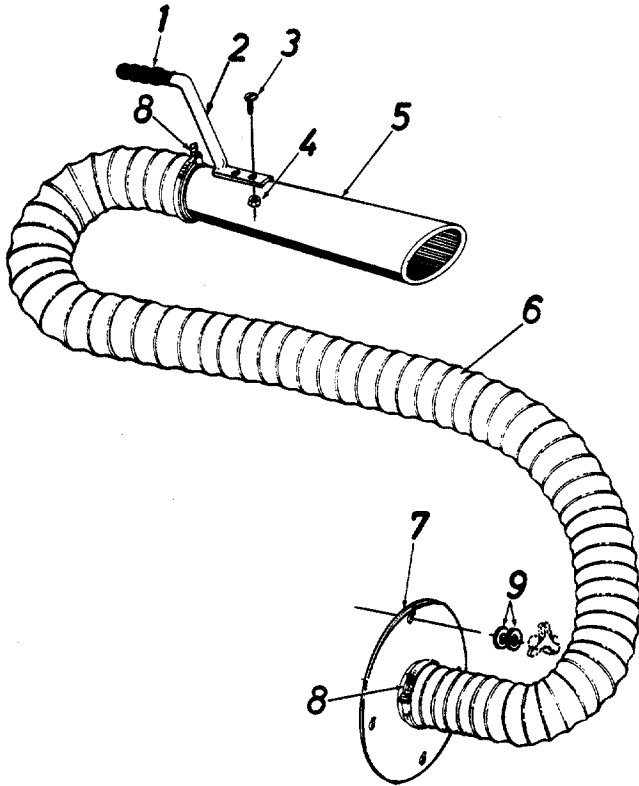
PARTS LIST FOR MODELS 692 AND 693 LEAF BLOWERS

REF. NO.	PART NO.	CODE	DESCRIPTION	REF. NO.	PART NO.	CODE	DESCRIPTION
1	14539		Engine Housing Brace Ass'y.	14	711-0758		Hex Shoulder Nut .50" I.D.
2	710-0600		Hex Self-Tap Scr. 5/16" x .5"	15	14563		Nozzle Plate Ass'y.
3	710-0118		Hex Bolt 5/16-18 x .75" Lg.*	16	710-0191		Hex Bolt 3/8-24 x 1.25**
4	736-0119		L-Wash. 5/16" I.D.*	17	736-0217		L-Wash. 3/8" I.D.-H.D.
5	14541		Right Angle Bracket	18	14536A		Air Vane Plate Ass'y.
6	710-0627		Hex Locking Bolt 5/16-24 x .75"	19	14496A		Blower Housing Ass'y.-Comp.
7	710-0260		Carriage Bolt 5/16-18 x .62"	22	710-0259		Hex Sems Bolt 5/16-18 x .62" Lg.*
8	14479		Directional Discharge Ass'y.	23	736-0242		Bell-Wash. .34" I.D. x .87" O.D.
11	736-0119		L-Wash. 5/16" I.D.*	24	720-0170		3-Arm Thumb Scr. 5/16-18 x .75" Lg.
12	712-0267		Hex Nut 5/16-18 Thd.*				
13	731-0608		Blower Guard				

*For faster service obtain standard nuts, bolts and washers locally. If these items cannot be obtained locally, order by part number and size as shown on parts list.

Hose Attachment Kit

**Model Number
290-204-000**

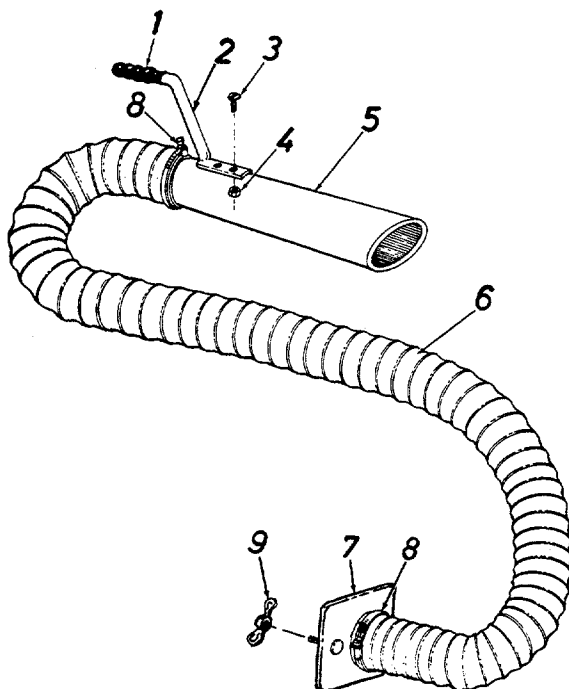


PARTS LIST FOR KIT 290-204-000

REF. NO.	PART NO.	DESCRIPTION
1	07071	Handle Grip
2	12229A	Handle
3	710-0399	Truss Sems Scr. 10-24 x 1/2" Lg.*
4	712-0121	Hex Nut 10-24 Thd.*
5	731-0213	Hose Nozzle
6	723-0294	Flexible Hose 4" Dia. x 10' Lg.
7	14568	Hose Adapter
8	723-0295	Hose Clamp—For 4" Dia. Hose
9	736-0231	Flat Washer .34 I.D. x 1.12 O.D.
10	764-0126	Bag (Optional)

Hose Attachment Kit

**Model Number
290-210-000**



PARTS LIST FOR MODEL 290-210 HOSE KIT

REF. NO.	PART NO.	DESCRIPTION
1	070712	Handle Grip
2	12229	Handle
3	710-0399	Truss Sems Scr. 10-24 x 1/2" Lg.*
4	712-0121	Hex Nut 10-24 Thd.*
5	731-0213	Hose Nozzle
6	723-0294	Flexible Hose 4" Dia. x 10'
7	15776	Hose Adapter Plate
8	723-0295	Hose Clamp—4"
9	712-0113	Wing Nut 1/4-20 Thd.