

OWNER'S MANUAL

LEAF BLOWERS

Model Numbers

243-692A
243-693A
243-694A
24695U

Important:
Read Safety Rules and
Instructions Carefully

Thank you for purchasing an
American built product.

INDEX

Safe Operation Practices	3	Maintenance and Lubrication.....	6
Assembly Instructions	4	Off-Season Storage.....	6
Operation.....	5	Illustrated Parts	8, 9, 10, 11
Adjustments.....	6	Parts Information.....	Back Cover

LIMITED WARRANTY

For one year from the date of original retail purchase, MTD PRODUCTS INC will either repair or replace, at its option, free of charge, F.O.B. factory or authorized service firm, any part or parts found to be defective in material or workmanship. Transportation charges for the movement of any power equipment unit or attachment are the responsibility of the purchaser. Transportation charges for any parts submitted for replacement under this warranty must be paid by the purchaser unless such return is requested by MTD PRODUCTS INC.

This warranty will not apply to any part which has become inoperative due to misuse, excessive use, accident, neglect, improper maintenance, alterations, or unless the unit has been operated and maintained in accordance with the instructions furnished. This warranty does not apply to the engine, motor, battery, battery charger or component parts thereof. Please refer to the applicable manufacturer's warranty on these items.

This warranty will not apply where the unit has been used commercially.

Warranty service is available through your local authorized service dealer or distributor. If you do not know the dealer or distributor in your area, please write to the Customer Service Department of MTD.

The return of a complete unit will not be accepted by the factory unless prior written permission has been extended by MTD.

This warranty gives you specific legal rights. You may also have other rights which vary from state to state.



TO PURCHASERS OF INTERNAL COMBUSTION ENGINE EQUIPPED MACHINERY OR DEVICES IN THE STATE OF CALIFORNIA

The equipment which you have just purchased does not have a spark arrester. If this equipment is used on any forest covered land, brush covered land, or grass covered unimproved land in the State of California, before using on such land, the California law requires that a spark arrester be provided. In addition, spark arrester is required by law to be in effective working order. The spark arrester must be attached to the exhaust system and comply with Section 4442 of the California Public Resources Code.

IMPORTANT

It is suggested that this manual be read in its entirety before attempting to assemble or operate. Keep this manual in a safe place for future reference and for ordering replacement parts.

This unit is shipped WITHOUT GASOLINE or OIL. After assembly, see operating section of this manual for proper fuel amount.

SAFE OPERATION PRACTICES FOR LEAF BLOWERS

1. Read this operating and service instructing manual carefully. Be thoroughly familiar with the controls and proper use of the power leaf blower.
2. Never allow children to operate this power leaf blower.
3. Keep the area of operation clear of all persons, particularly small children and pets.
4. Check fuel before starting engine. Do Not fill fuel tank indoors, when engine is running, or while engine is hot. Wipe off any spilled fuel before starting engine.
5. Do Not change engine governor settings.
6. Do Not put hands near rotating parts for any reason.
7. If the power leaf blower should start to vibrate abnormally, stop the engine and check immediately for the cause. Vibration is generally a warning of trouble.
8. Before cleaning, repairing or inspecting make certain all moving parts have come to a complete stop. Disconnect spark plug wire and keep wire away from plug to prevent accidental starting. Also keep throttle control lever in the stop position.
9. If the power leaf blower should become blocked with debris at any point, shut engine off and wait until the impeller comes to a complete stop before attempting to remove the obstruction. Disconnect spark plug wire to prevent accidental starting.
10. Check all bolts for tightness at frequent periods.
11. Never store this power leaf blower with fuel in the tank. Allow engine to cool before starting in any enclosure.
12. Keep equipment free of debris when not in use.
13. Never operate this leaf blower unless impeller guard and guard assembly are properly affixed in their place.
14. Never change inlet nozzle or auxiliary hose attachment when engine is running.
15. The manufacturer recommends that the operator wear safety glasses or some other suitable eye protection when operating this machine.
16. Exercise caution whenever operating leaf blower. Do Not allow exhaust to be pointed in the direction of persons.

ASSEMBLY INSTRUCTIONS

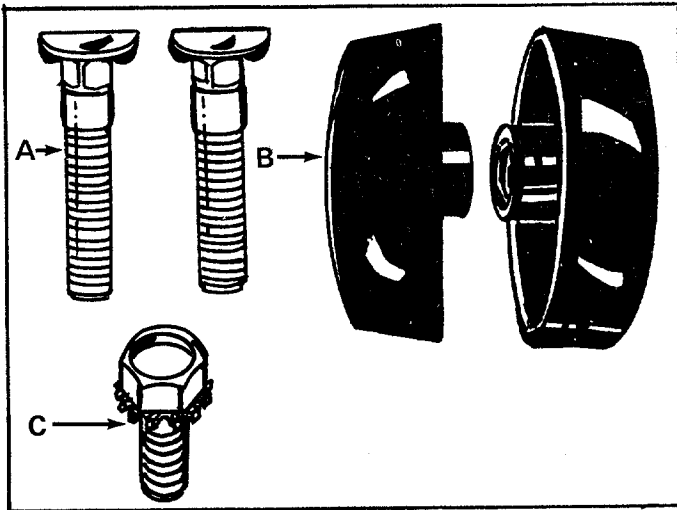


FIGURE 1.

CONTENTS OF HARDWARE PACK:
(See Figure 1.)

- A (2) Carriage Bolts
- B (2) Hand Knobs
- C (1) Hex Sems Bolt



Vacuum hose attachment 243-204A comes with model 694. It is optional equipment on all other models.

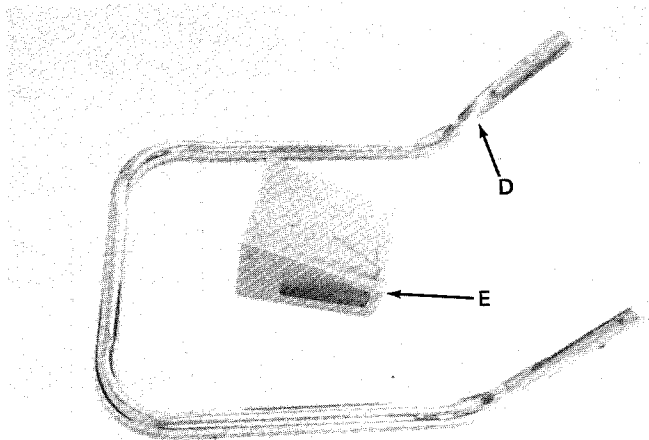


FIGURE 2.

PARTS IN CARTON (See Figure 2):

- D (1) Upper Handle
- E (1) Directional Discharge



The right and left side of your leaf blower is determined from operator's position.

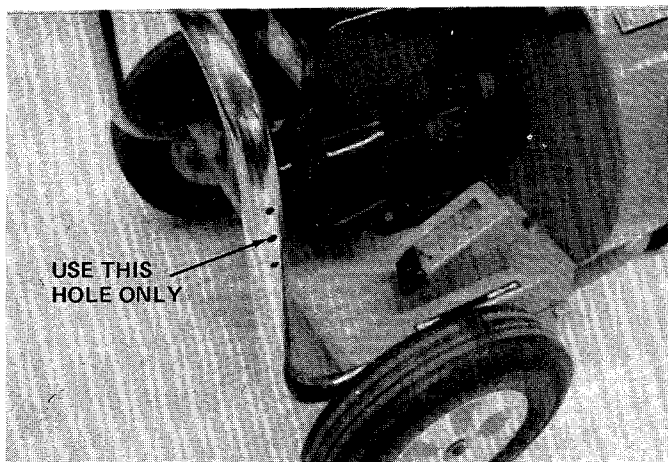


FIGURE 3.

1. Remove the leaf blower, hardware pack and all literature from the carton before discarding carton.

2. Figure 3 shows lower handle. Upper handle mounts in center hole only.

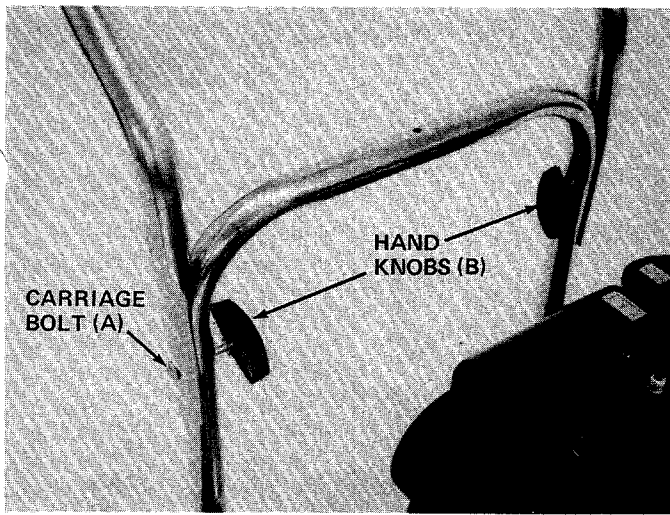


FIGURE 4.

3. Place the upper handle (D) over the lower handle, lining up the holes. Secure with carriage bolts (A) and hand knobs (B). See figure 4.

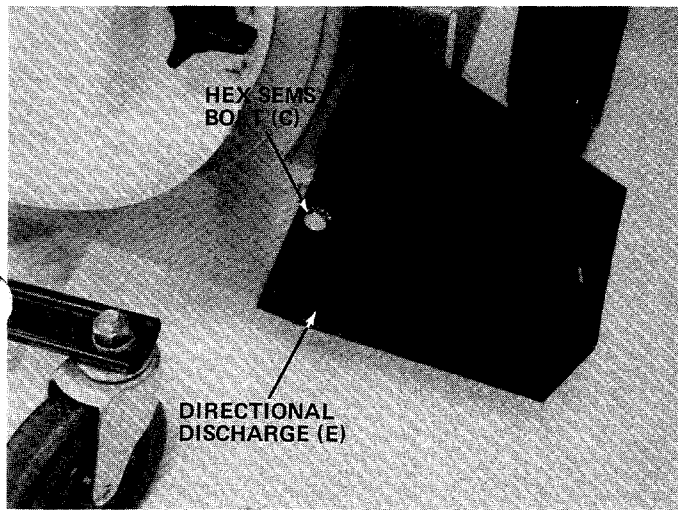


FIGURE 5.

4. Slip end of directional discharge (E) over chute opening. Secure in position with hex sems bolt (C). See figure 5.

OPERATION

BEFORE STARTING ENGINE

Service engine with gas and oil. See engine manual packed with leaf blower for complete instructions for care and maintenance of engine. READ DIRECTIONS CAREFULLY.

TO START ENGINE

1. Move throttle to start position.

2. Pull starter rope once with quick, full stroke. Move hand throttle to fast position and pull starter rope again.
3. When engine starts, move throttle to "RUN" position until engine warms up.

TO STOP ENGINE

Move throttle control lever to "OFF" position.

ADJUSTMENTS



Do Not make this adjustment or any adjustment with the engine running. Stop the engine, disconnect the spark plug wire and ground plug wire to engine block.

TWO-WAY AIR DISCHARGE

Your leaf blower is equipped with an adjustable chute deflector. Simply push down on handle provided and swing door towards the front or side as desired. See figure 6.

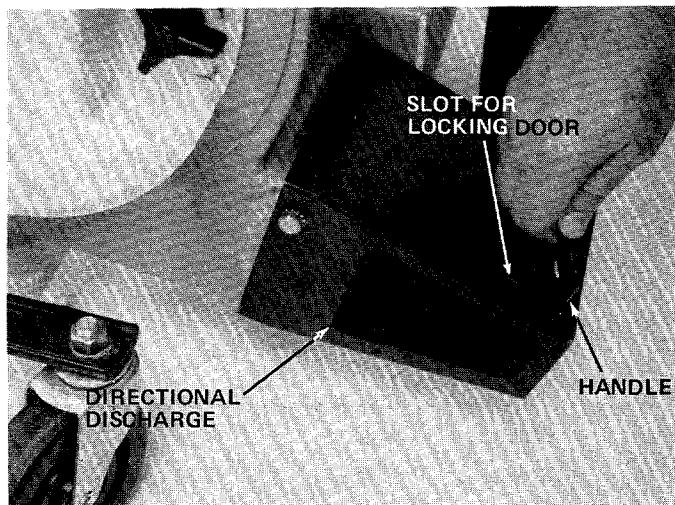


FIGURE 6.

HEIGHT ADJUSTMENT

To adjust the height of the discharge, stand on the right hand side of the leaf blower and move the index handle towards the engine. Move handle towards rear of unit to lower height. Move the handle forward to raise the height. See figure 7.

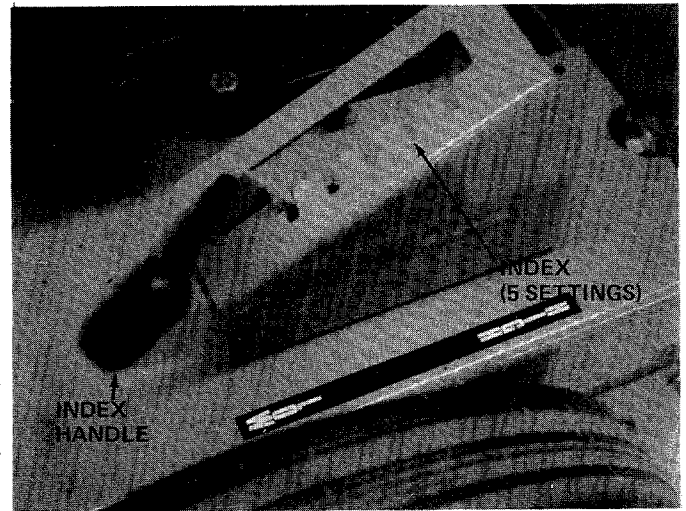


FIGURE 7.

MAINTENANCE AND LUBRICATION

Your leaf blower, like all machines with moving parts, must receive care and maintenance. The following tips, if used, will contribute many troublefree hours to your blower.

1. Check oil level frequently. When changing oil, make sure dirt and debris is cleaned off oil sump before removing oil plug.
2. Keep blower clean, especially the engine and engine air filter.
3. Check all nuts, bolts and screws occasionally to be sure blower is in good operating condition.
4. The wheel bearings are pre-lubricated at the factory and should require no further attention until blower is serviced. However, it is advisable to remove the wheels and apply a small amount of light oil to each axle at least once a season.

OFF-SEASON STORAGE

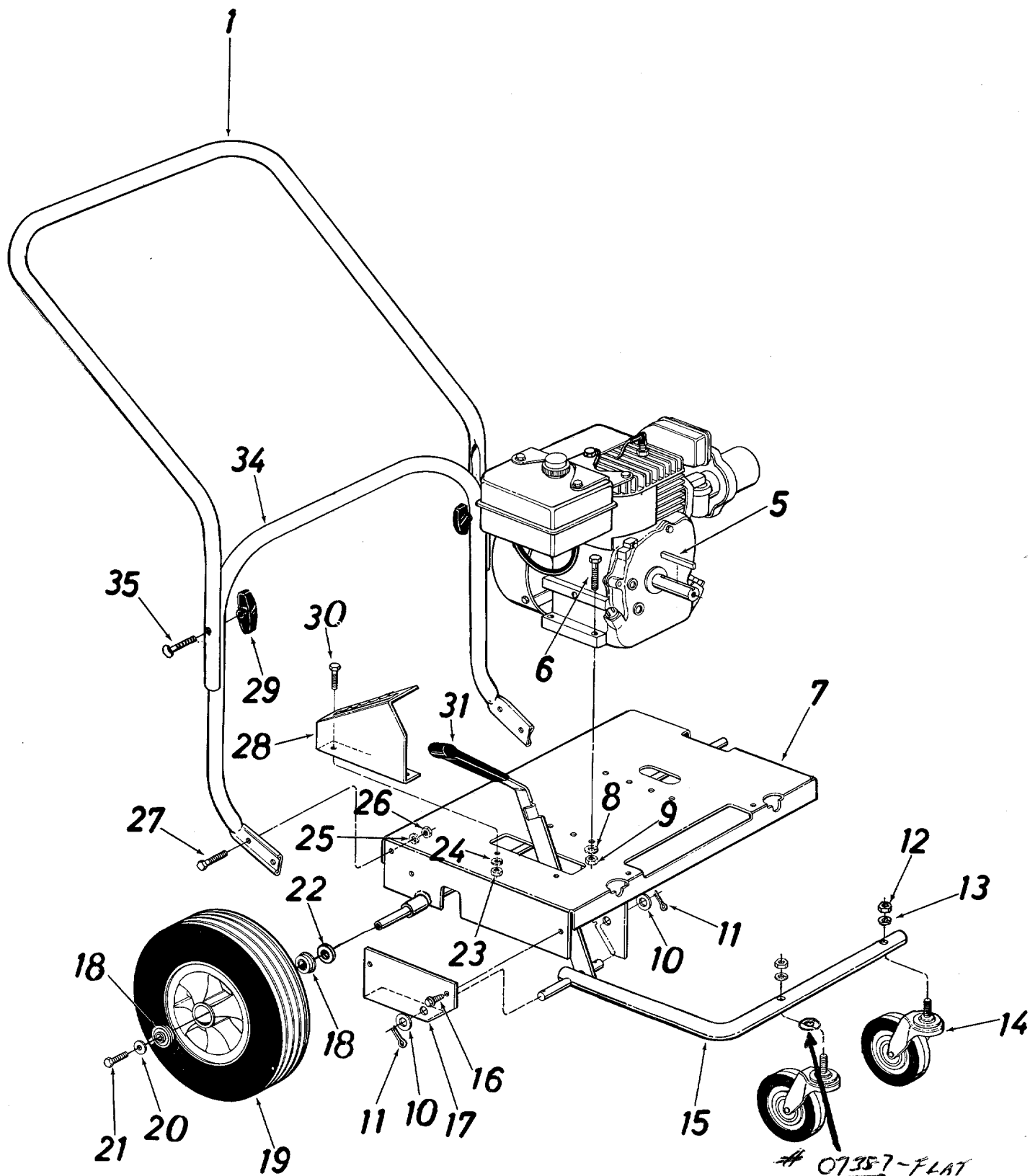
If you are going to store your blower for any length of time (30 days or longer), it is important that the following steps be taken:

1. Drain the gas tank. Start the engine. Allow it to run out of gas. Gasoline left in the engine will leave gum deposits in the carburetor and gas tank.
2. Clean engine of all foreign matter.
3. Lubricate cylinder by removing the spark plug and pour in one ounce of clean lubricating oil through the spark plug hole into the cylinder. Crank engine slowly to spread oil and replace spark plug. To start after storage, remove spark plug and rotate engine with starter to remove excess oil.

NOTES

[Empty rectangular box for notes]

Models 692, 693, 694 and 24695



07357 - FLAT
WASHER
USED AS A
SPACER IF
WHEELS HIT

Models 692, 693, 694 and 24695

PARTS LIST FOR LEAF BLOWER MODELS 692, 693, 694 and 24695

Ref. No.	PART No.	COLOR CODE	DESCRIPTION	New Part
1	749-0479		Upper Handle	
5	714-0114		Sq. Key 1/4" x 1/4" x 2.00" Lg.*	
6	710-0442		Hex Bolt 5/16-18 x 1.50" Lg.*	
7	14526 --- 488		Engine Mounting Frame Ass'y.	
8	736-0119		L.-Wash. 5/16" I.D.*	
9	712-0267		Hex Nut 5/16-18 Thd.*	
10	736-0187		Fl.-Wash. .63" I.D. x 1.25" O.D.	
11	1544-009		Cotter Pin 5/32" Dia. x 1.25" Lg.*	
12	712-0206		Hex Nut 1/2-13 Thd.*	
13	736-0921		L.-Wash. 1/2" I.D.*	
14	734-1036		Swivel Caster Wheel 5" Dia. x 1.25"	
15	14571 --- 488		Caster Arm Ass'y.	
16	710-0726		Hex Wash. Hd. "AB" Tap Scr. 5/16" x .75" Lg.	
17	14529 --- 488		Caster Arm Bracket	
18	-----		Ball Bearings - Part of Wheel Ass'y. (Ref. 19)	
19	734-1035		Wheel Ass'y. Comp. 12" x 3" (692, 693 & 694)	
	734-1044		Wheel Ass'y. Comp. 11" x 4" (24695)	
20	736-0159		Fl.-Wash. .34" I.D. x .87" O.D.	
21	710-0170		Hex Locking Bolt 5/16-24 x .62" Lg.	
22	736-0162		Fl.-Wash.	
23	712-0267		Hex Nut 5/16-18 Thd.*	
24	736-0119		L.-Wash. 5/16" I.D.*	
25	736-0119		L.-Wash. 5/16" I.D.*	
26	712-0267		Hex Nut 5/16-18 Thd.*	
27	710-0118		Hex Bolt 5/16-18 x .75" Lg.*	
28	14561		Index Plate	
29	09966		Hand Knob	
30	710-0118		Hex Bolt 5/16-18 x .75" Lg.*	
31	720-0142		Fl.-Grip Vinyl	
34	749-0481		Lower Handle	
35	710-0487		Carriage Bolt 5/16-18 x 2.0" Lg.*	

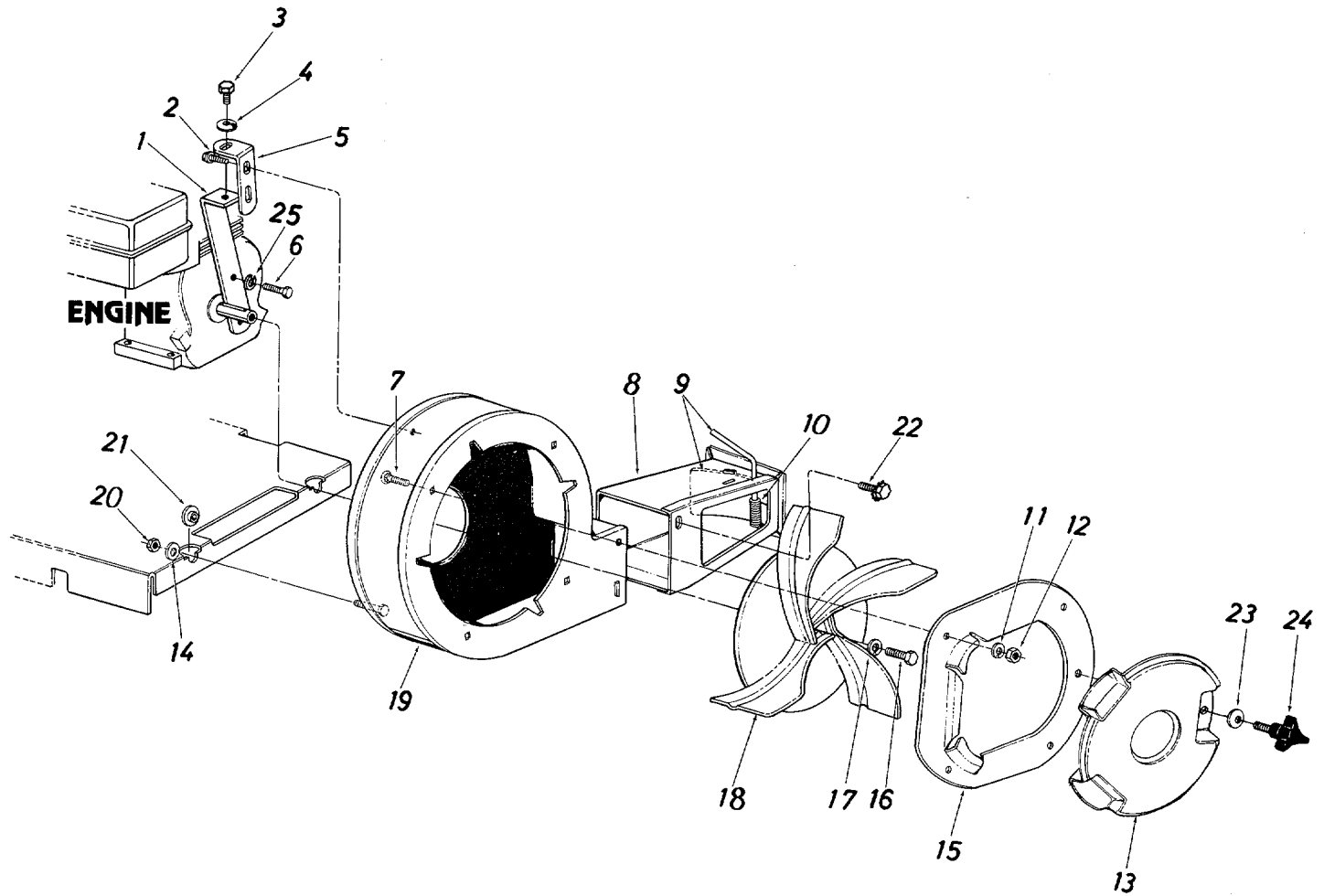
*For faster service obtain standard nuts, bolts and washers locally. If these items cannot be obtained locally, order part number and size as shown on parts list.

(488 - Mack Truck Yellow) When ordering parts if color or finish is important, use color code
(497 - Yard-Man Red) Shown at left (e.g. Mack Truck Yellow Finish - 14542 (488).)

The engine is not under warranty by the leaf blower manufacturer. If repairs or service is needed on the engine, please contact your nearest authorized engine service outlet. Check the "Yellow Pages" of your telephone book under "Engines - Gasoline".



Models 692, 693, 694 and 24695



Models 692, 693, 694 and 24695

PARTS LIST FOR LEAF BLOWER MODELS 692, 693, 694 and 24695

Ref. No.	PART No.	COLOR CODE	DESCRIPTION	New Part
1	14539		Engine Housing Brace Ass'y.	
2	710-0600		Hex Self Tap Scr. 5/16" x .50" Lg.	
3	710-0118		Hex Bolt 5/16-18 x .75" Lg.*	
4	736-0119		L.-Wash. 5/16" I.D.*	
5	14541		Right Angle Bracket	
6	710-0627		Hex Locking Bolt 5/16-24 x .75" Lg.	
7	710-0260		Carriage Bolt 5/16-18 x .62" Lg.*	
8	14479 --- 488		Directional Discharge Ass'y.	N
9	14549 --- 488		Door Ass'y.	
10	732-0335		Compression Spring	
11	736-0119		L.-Wash. 5/16" I.D.*	
12	712-0267		Hex Nut 5/16-18 Thd.*	
13	731-0608		Blower Guard	N
14	736-0101		Fl.-Wash. .41" I.D. x 1.0" O.D.	
15	14563 --- 488		Nozzle Plate Ass'y.	
16	710-0191		Hex Bolt 3/8-24 x 1.25" Lg.*	
17	736-0217		L.-Wash. 3/8" I.D. HD.	
18	14536 --- 488		Air Vane Plate Ass'y.	
19	14496 --- 488		Blower Housing Ass'y. - Comp.	N
20	712-0158		Hex Cent. L.-Nut 5/16-18 Thd.	
21	736-0289		Shoulder Spacer .50" O.D. x .135	
22	710-0259		Hex Sems Bolt 5/16-18 x .62" Lg.*	
23	736-0242		Belleville Wash. .34" I.D. x .87" O.D.	
24	720-0170		3 Arm Thumb Scr. 5/16-18 x .75" Lg.	
25	736-0271		L.-Wash. 5/16" I.D.*	

*For faster service obtain standard nuts, bolts and washers locally. If these items cannot be obtained locally, order part number and size as shown on parts list.

(488 - Mack Truck Yellow) When ordering parts if color or finish is important, use color code (497 - Yard-Man Red) Shown at left.(e.g. Mack Truck Yellow Finish - 14542 (488).)

The engine is not under warranty by the leaf blower manufacturer. If repairs or service is needed on the engine, please contact your nearest authorized engine service outlet. Check the "Yellow Pages" of your telephone book under "Engines - Gasoline".



PARTS INFORMATION

POWER EQUIPMENT PARTS AND SERVICE

Parts and service for all MTD manufactured power equipment are available through the authorized service firms listed below. All orders should specify the model number of your unit, part numbers, description of parts and the quantity of each part required.

BRIGGS AND STRATTON, TECUMSEH AND PEERLESS PARTS AND SERVICE

Briggs & Stratton, Tecumseh and Peerless parts and service should be handled by your nearest authorized engine service firm. Check the yellow pages of your telephone directory under the listing **Engines—Gasoline**, Briggs & Stratton or Tecumseh Lauson.

NOTE: If any parts are found to be missing or defective upon assembly of this unit, write to advise the factory so that immediate replacement can be made.

ALABAMA	BIRMINGHAM	
Auto Electric & Carburetor Co.	2625 4th Ave. S.	35233
ARKANSAS	NORTH LITTLE ROCK	
Sutton's Lawn Mower Shop	5301 Roundtop Drive Box 368, Rt. 4	72117
CALIFORNIA	PORTERVILLE	
Billious	75 North D Street	93257
COLORADO	DENVER	
Spitzer Industrial Products Co.	Box 29114, 6601 N. Washington St.	80229
FLORIDA	JACKSONVILLE	
Radco Distributors	4909 Victor St. Box 5459	32207
	OPA LOCKA	
Small Eng. Dist.	2351 N.W. 147th St.	33054
GEORGIA	EAST POINT	
East Point Cycle & Key	2834 Church St.	30344
ILLINOIS	LYONS	
Keen Edge Co.	8615 Ogden Ave.	60534
INDIANA	ELKHART	
Parts & Sales Inc.	2101 Industrial Pkwy.	46514
IOWA	DUBUQUE	
Power Lawn & Garden Equip.	2551 J.F. Kennedy	52001
LOUISIANA	MONROE	
Mid-South Power	700 Pine St.	71201
	NEW ORLEANS	
Suhren Engine Co.	8330 Earhart Blvd.	70118
MARYLAND	TAKOMA PARK	
Center Supply Co.	6867 New Hampshire Ave.	20912
MASSACHUSETTS	SPRINGFIELD	
Morton B. Collins Co.	300 Birnie Ave.	01107
MICHIGAN	LANSING	
Lorenz Service Co.	2500 S. Pennsylvania	48910
	MOUNT CLEMENS	
Power Equipment Dist.	340 Hubbard	48043
MINNESOTA	HOPKINS	
Hance Distributing Inc.	420 Excelsior Ave. W.	55343
MISSISSIPPI	BILOXI	
Biloxi Sales & Service, Inc.	506 Caillavet St.	39533
MISSOURI	KANSAS CITY	
Automotive Equip. Service	3117 Holmes St.	64109
	ST. JOSEPH	
Ross-Frazier Supply Co.	8th and Monterey	64503
	ST. LOUIS	
Henzler, Inc.	2015 Lemay Ferry Road	63125
NEW JERSEY	BELLMAWR	
Lawnmower Parts Inc.	717 Creek Rd.	08030
NEW MEXICO	ALBUQUERQUE	
Spitzer Eng. & Parts	1023 Third Ave. N.W.	87103

NEW YORK	CARTHAGE	
Gamble Dist., Inc.	West End Ave.	13619
NORTH CAROLINA	GOLDSBORO	
Smith Hardware Co.	515 N. George St.	27530
	GREENSBORO	
Dixie Sales Company	335 N. Green	27402
OHIO	CARROLL	
Stebe's Mid-State Mower Supply	Box 366, 71 High St.	43112
	CLEVELAND	
Bleckrie, Inc.	7900 Lorain Ave.	44102
	WADSWORTH	
National Central	687 Seville Rd.	44281
	YOUNGSTOWN	
Burton Supply Co.	1301 Logan Ave. Box 929	44501
OKLAHOMA	MUSKOGEE	
Victory Motors, Inc.	605 S. Cherokee	74401
OREGON	PORTLAND	
Kenton Supply Co.	8216 N. Denver Ave.	97217
PENNSYLVANIA	HARRISBURG	
EECO Inc.	4021 N. 6th St.	17110
	PHILADELPHIA	
Thompson Rubber Co.	5222-24 N. Fifth St.	19120
	PITTSBURGH	
Bluemont Co.	11125 Frankstown Rd.	15235
	PUNXSUTAWNEY	
Frank Roberts & Sons	R.D. 2	15767
TENNESSEE	KNOXVILLE	
Master Repair Service	2000 Western Ave.	37921
	MEMPHIS	
American Sales & Service, Inc.	3035-43 Bellbrook	38116
TEXAS	DALLAS	
Marr Brothers, Inc.	423 E. Jefferson	75203
	FORT WORTH	
Woodson Sales Corp.	1702 N. Sylvania	76111
	HOUSTON	
Bullard Supply Co.	2409 Commerce St.	77003
	SAN ANTONIO	
Engine House Inc.	8610 Botts Lane P.O. Box 17867	78217
UTAH	SALT LAKE CITY	
A-1 Engine & Mower Co.	439 E. 900 So.	84111
VERMONT	BURLINGTON	
Vermont Hdwe. Co. Inc.	180 Flynn Ave.	05401
VIRGINIA	ASHLAND	
RBI Corp.	Lake Ridge Rd. 101 Cedar Run Dr.	23005
WASHINGTON	SEATTLE	
Bailey's Inc.	1414 14th Ave.	98122
WISCONSIN	MARSHFIELD	
Power Pac	301 E. 29th St.	54449

WARRANTY PARTS AND SERVICE POLICY

(0382)

The purpose of warranty is to protect the customer from defects in workmanship and materials, defects which are NOT detected at the time of manufacture. It does not provide for the unlimited and unrestricted replacement of parts. Use and maintenance are the responsibility of the customer. The manufacturer cannot assume responsibility for conditions over which it has no control. Simply put, if it's the manufacturer's fault, it's the manufacturer's responsibility; if it's the customer's fault, it's the customer's responsibility.

CLAIMS AGAINST THE MANUFACTURER'S WARRANTY INCLUDES:

1. Replacement of Missing Parts on new equipment.
2. Replacement of Defective Parts within the warranty period.
3. Repair of Defects within the warranty period.

All claims MUST be substantiated with the following information:

1. Model Number of unit involved.
2. Date unit was purchased or first put into service.
3. Date of failure.
4. Nature of failure.