



**OPERATOR'S MANUAL
MANUEL de L'UTILISATEUR
MANUAL del OPERADOR**

**Catalog No.
6514 Series**

**No de Cat.
Séries 6514**

**Catálogo No.
Serie 6514**



**18 VOLT SAWZALL® HATCHET™
PASSE-PARTOUT SAWZALL® 18V
SAWZALL® HATCHET™ DE 18 V**

TO REDUCE THE RISK OF INJURY, USER MUST READ OPERATOR'S MANUAL.

AFIN DE RÉDUIRE LE RISQUE DE BLESSURES, L'UTILISATEUR DOIT LIRE LE MANUEL DE L'UTILISATEUR.

PARA REDUCIR EL RIESGO DE LESIONES, EL USUARIO DEBE LEER EL MANUAL DEL OPERADOR.

GENERAL SAFETY RULES-FOR ALL BATTERY OPERATED TOOLS



WARNING

READ ALL INSTRUCTIONS

Failure to follow all instructions listed below may result in electric shock, fire and/or serious injury. The term "power tool" in all of the warnings listed below refers to your mains-operated (corded) power tool or battery-operated (cordless) power tool.

SAVE THESE INSTRUCTIONS

WORK AREA SAFETY

1. **Keep work area clean and well lit.** Cluttered or dark areas invite accidents.
2. **Do not operate power tools in explosive atmospheres, such as in the presence of flammable liquids, gases, or dust.** Power tools create sparks which may ignite the dust or fumes.
3. **Keep children and bystanders away while operating a power tool.** Distractions can cause you to lose control.

ELECTRICAL SAFETY

4. **Power tool plugs must match the outlet. Never modify the plug in any way. Do not use any adapter plugs with earthed (grounded) power tools.** Unmodified plugs and matching outlets will reduce risk of electric shock.
5. **Avoid body contact with earthed or grounded surfaces such as pipes, radiators, ranges and refrigerators.** There is an increased risk of electric shock if your body is earthed or grounded.
6. **Do not expose power tools to rain or wet conditions.** Water entering a power tool will increase the risk of electric shock.
7. **Do not abuse the cord. Never use the cord for carrying, pulling, or unplugging the power tool. Keep cord away from heat, oil, sharp edges, or moving parts.** Damaged or entangled cords increase the risk of electric shock.
8. **When operating a power tool outdoors, use an extension cord suitable for outdoor use.** Use of a cord suitable for outdoor use reduces the risk of electric shock.

PERSONAL SAFETY

9. **Stay alert, watch what you are doing and use common sense when operating a power tool. Do not use a power tool while you are tired or under the influence of drugs, alcohol or medication.** A moment of inattention while operating power tools may result in serious personal injury.
10. **Use safety equipment. Always wear eye protection.** Safety equipment such as dust mask, non-skid safety shoes, hard hat, or hearing protection used for appropriate conditions will reduce personal injuries.
11. **Avoid accidental starting. Ensure the switch is in the off-position before plugging in.** Carrying tools with your finger on the switch or plugging in power tools that have the switch on invites accidents.
12. **Remove any adjusting key or wrench before turning the power tool on.** A wrench or a key left attached to a rotating part of the power tool may result in personal injury.
13. **Do not overreach. Keep proper footing and balance at all times.** This enables better control of the power tool in unexpected situations.
14. **Dress properly. Do not wear loose clothing or jewellery. Keep your hair, clothing and gloves away from moving parts.** Loose clothes, jewellery, or long hair can be caught in moving parts.
15. **If devices are provided for the connection of dust extraction and collection facilities, ensure these are connected and properly used.** Use of these devices can reduce dust-related hazards.

POWER TOOL USE AND CARE

16. **Do not force the power tool. Use the correct power tool for your application.** The correct power tool will do the job better and safer at the rate for which it was designed.
17. **Do not use the power tool if the switch does not turn it on and off.** Any power tool that cannot be controlled with the switch is dangerous and must be repaired.
18. **Disconnect the plug from the power source and/or the battery pack from the power tool before making any adjustments, changing accessories, or storing power tools.** Such preventive safety measures reduce the risk of starting the tool accidentally.
19. **Store idle power tools out of the reach of children and do not allow persons unfamiliar with the power tools or these instructions to operate power tools.** Power tools are dangerous in the hands of untrained users.
20. **Maintain power tools. Check for misalignment or binding of moving parts, breakage of parts and any other condition that may affect the power tool's operation. If damaged, have the power tool repaired before use.** Many accidents are caused by poorly maintained power tools.
21. **Keep cutting tools sharp and clean.** Properly maintained cutting tools with sharp cutting edges are less likely to bind and are easier to control.
22. **Use the power tool, accessories and tool bits etc., in accordance with these instructions and in the manner intended for the particular type of power tool, taking into account the working conditions and the work to be performed.** Use of the power tool for operations different from those intended could result in a hazardous situation.

BATTERY TOOL USE AND CARE

23. **Ensure the switch is in the off position before inserting battery pack.** Inserting the battery pack into power tools that have the switch on invites accidents.
24. **Recharge only with the charger specified by the manufacturer.** A charger that is suitable for one type of battery pack may create a risk of fire when used with another battery pack.

25. **Use power tools only with specifically designated battery packs.** Use of any other battery packs may create a risk of injury and fire.
26. **When battery pack is not in use, keep it away from other metal objects like paper clips, coins, keys, nails, screws, or other small metal objects that can make a connection from one terminal to another.** Shorting the battery terminals together may cause burns or a fire.
27. **Under abusive conditions, liquid may be ejected from the battery, avoid contact. If contact accidentally occurs, flush with water. If liquid contacts eyes, additionally seek medical help.** Liquid ejected from the battery may cause irritation or burns.

SERVICE

28. **Have your power tool serviced by a qualified repair person using only identical replacement parts.** This will ensure that the safety of the power tool is maintained.

SPECIFIC SAFETY RULES

1. **Hold power tools by insulated gripping surfaces when performing an operation where the cutting tool may contact hidden wiring or its own cord.** Contact with a "live" wire will make exposed metal parts of the tool "live" and shock the operator.
2. **Use clamps or another practical way to secure and support the workpiece to a stable platform.** Holding the work by hand or against your body leaves it unstable and may lead to loss of control.
3. **Keep hands away from all cutting edges and moving parts.**
4. **Maintain labels and nameplates.** These carry important information. If unreadable or missing, contact a MILWAUKEE service facility for a free replacement.

5. **WARNING!** Some dust created by power sanding, sawing, grinding, drilling, and other construction activities contains chemicals known to cause cancer, birth defects or other reproductive harm. Some examples of these chemicals are:

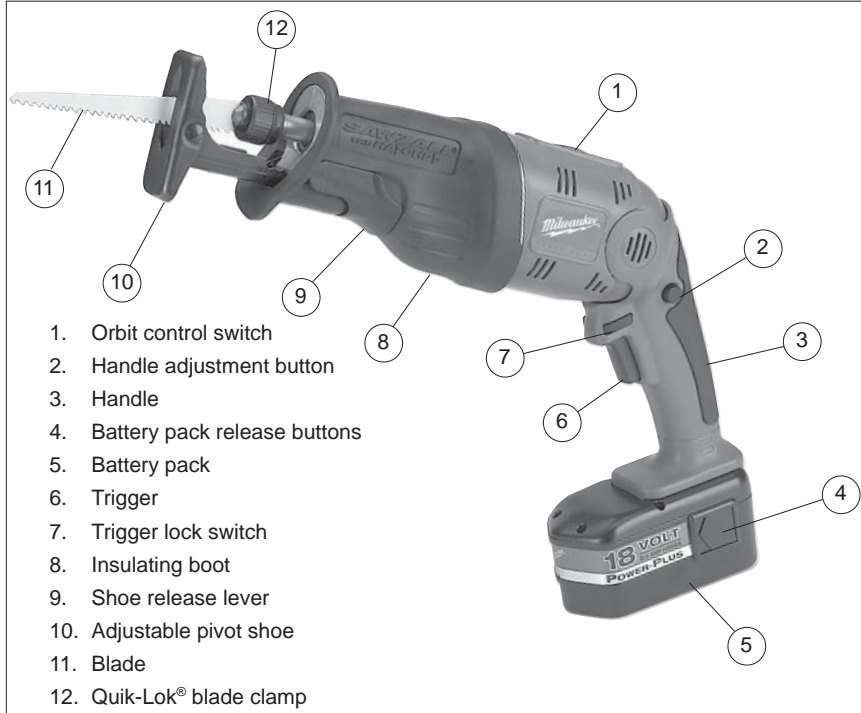
- lead from lead-based paint
- crystalline silica from bricks and cement and other masonry products, and
- arsenic and chromium from chemically-treated lumber.

Your risk from these exposures varies, depending on how often you do this type of work. To reduce your exposure to these chemicals: work in a well ventilated area, and work with approved safety equipment, such as those dust masks that are specifically designed to filter out microscopic particles.

Symbology	
	Volts Direct Current
$n_{o} \underline{\text{xxxx}}/\text{min.}$	No Load Strokes per Minute
	Underwriters Laboratories, Inc.
	Orbital Cut
	Straight Cut

Specifications			
Cat. No.	Volts DC	Length of Stroke	Strokes per Minute
6514-20	18	3/4"	0 - 2700

FUNCTIONAL DESCRIPTION



ASSEMBLY



WARNING

Recharge only with the charger specified for the battery pack. For specific charging instructions, read the operator's manual supplied with your charger and battery pack.



WARNING

Always lock trigger or remove battery pack before changing or removing accessories. Only use accessories specifically recommended for this tool. Others may be hazardous.

Removing Battery Pack from Tool

Push in the release buttons and remove the battery pack.

Inserting Battery Pack into Tool

Battery pack can be inserted into the tool in two ways.

1. For working in restricted spaces, insert the battery pack from the front by pressing in the release buttons and sliding battery pack into the body of the tool (Fig. 1). Insert the battery pack until clamp engages.



2. For optimum weight distribution and balance, insert the battery pack from the back by pressing in the release buttons and sliding the battery pack into the body of the tool (Fig. 2). Insert the battery pack until clamp engages.



Selecting a Blade

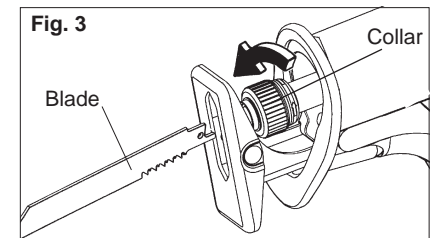
The Quik-Lok® Blade Clamp can be used with all 1/2" shank universal Sawzall® blades. Use MILWAUKEE High Performance Super Sawzall® blades for best performance. When selecting a blade, choose the right type and length.

Many types of blades are available for a variety of applications: cutting metal, wood, nail-embedded wood, scroll cutting, roughing-in, and contours.

Many lengths are also available. Choose a length long enough to extend beyond the shoe and your work throughout the stroke. **Do not use blades less than 3-1/2" long since they will not extend beyond the shoe throughout the stroke.**

For best performance and longest life, see "Accessories" to select the best blade for the job.

Installing and Removing Blades Quik-Lok® Blade Clamp



1. Remove battery pack.
2. Be sure the spindle and blade clamp areas are clean. Metal chips and sawdust may prevent the Quik-Lok® Blade Clamp from clamping securely (see "Maintenance").

- To **install** a blade, twist the collar in the direction of the arrow while inserting the blade into the clamp until the tang butts against the collar.

Depending on the job, the blade may be inserted with the teeth facing upward or downward.

- Release the collar and the spring loaded mechanism will clamp the blade firmly in place.
- Twist the collar in the opposite direction of the arrow to ensure that the blade is locked into the clamp.
- Tug on blade to make sure it is securely locked in place.
- To **remove** a blade, twist the collar in the direction of the arrow while pulling on the blade. Be careful when handling hot blades.

Removing Broken Blades from the Quik-Lok® Blade Clamp

- Remove battery pack.
- Broken blades can be removed by the following methods.
 - Point the tool downward, twist the collar, and shake the tool up and down (**DO NOT** turn on the tool while your fingers are holding the blade clamp open). The shank of the broken blade should drop out of the clamp.
 - If shaking the tool doesn't work...

In most cases, a corner of the broken blade will extend beyond the blade clamp. Twist the collar and pull the broken blade out of the clamp by this corner.

 - If the broken stub doesn't extend far enough to be grabbed by its corner, use a thin blade with small teeth (such as a metal cutting blade) to hook the blade that is jammed in the clamp while twisting the collar and pull it out.

OPERATION

WARNING

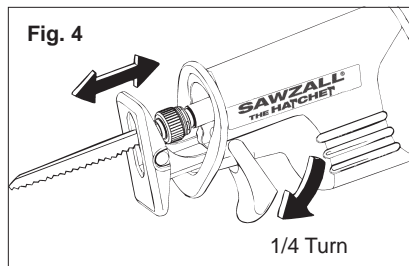
To reduce the risk of injury, wear safety goggles or glasses with side shields.

Adjusting the Pivot Shoe

The shoe can be adjusted forward or backward to six positions to take advantage of the unused portion of the blade or for special jobs requiring low blade clearance.

WARNING

Do not operate Sawzall without a shoe. Striking the spindle against the work may damage the reciprocating mechanism.



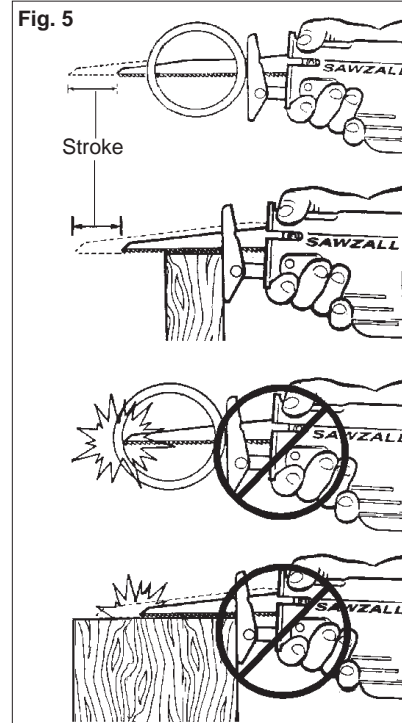
- Remove battery pack.
- To adjust the shoe, pull the shoe release lever down 1/4 turn down.
- Slide the shoe forward or backward to the desired position.
- To lock the shoe in position, push in the shoe release lever.
- After adjusting the shoe, slowly pull the trigger to be sure the blade always extends beyond the shoe and your work throughout the stroke (Fig. 5).

DO NOT OPERATE SAWZALL WITHOUT SHOE. STRIKING THE SPINDLE AGAINST WORK MAY DAMAGE THE RECIPROCATING MECHANISM.

WARNING

To reduce the risk of injury, be sure the blade always extends beyond the shoe and work throughout the stroke. Blades may shatter if they impact the work or shoe (Fig. 5).

Fig. 5



WARNING

To reduce the risk of injury, do not operate with the handle adjustment button pressed in or with the handle not locked into position.

Adjusting the Handle Angle

The adjustable handle allows the user to adjust the angle of the handle for optimum cutting positions.

- Remove battery pack
- Press in and hold the handle adjustment button.
- Rotate the handle to the desired angle at one of six detents. The handle will snap into place.
- Release the handle adjustment button.

WARNING

To reduce the risk of injury, do not operate if the handle moves with the handle adjustment button in a locked position. Return the tool to a MILWAUKEE service facility for repair immediately.

WARNING

To reduce the risk of injury, keep hands away from the blade and other moving parts.

Trigger Speed Control Switch

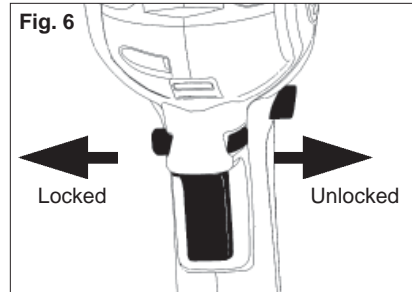
The Sawzall® Hatchet™ is equipped with a trigger speed control switch. It may be operated at any speed from zero strokes per minute to full speed. Always start tool before blade contacts the workpiece.

- To **start** the tool, grasp the handle firmly and pull the trigger.
- To **vary** the speed, increase or decrease the pressure on the trigger. The further the trigger is pulled, the greater the speed.
- To **stop** the tool, release the trigger and allow the tool to stop completely before removing from a partial cut or before laying down the tool.

Locking the Trigger

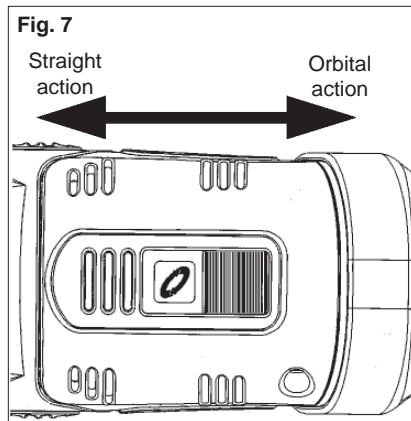
Always lock the trigger or remove the battery pack before changing accessories, making adjustments, or performing maintenance. Lock the trigger when the tool is not in use and when storing the tool.

1. To lock the trigger, push the trigger lock switch in the direction shown. The trigger will not work when the switch is in the locked position.
2. To unlock the trigger, push the trigger lock switch in the direction shown.



Using the Orbit Control Switch

The Sawzall Hatchet™ orbit control switch allows the tool to be operated in straight reciprocating (non orbital) or orbital action. Straight reciprocating action should be used when a smooth cut is needed. Orbital action is recommended for fast, aggressive cutting. The type of reciprocating action should be determined by the user for their specific cutting requirements.



1. For **straight** reciprocating action, press in the orbit control switch and slide the switch so the straight action symbol ← is shown.
2. For **orbital** action, press in the orbit control switch and slide the switch so the orbital action symbol ○ is shown.

Orbit action may be adjusted when the tool is running.

NOTE: If the blade is installed with the teeth facing upward and orbital action is selected, cutting performance is reduced.

General Cutting

For straight or contour cutting from an edge, line the blade up with your cutting line. Before the blade contacts the workpiece, grasp the handle firmly and pull the trigger. Then guide the tool along your cutting line. Always hold the shoe flat against the workpiece to avoid excessive vibration.

Cutting Metals

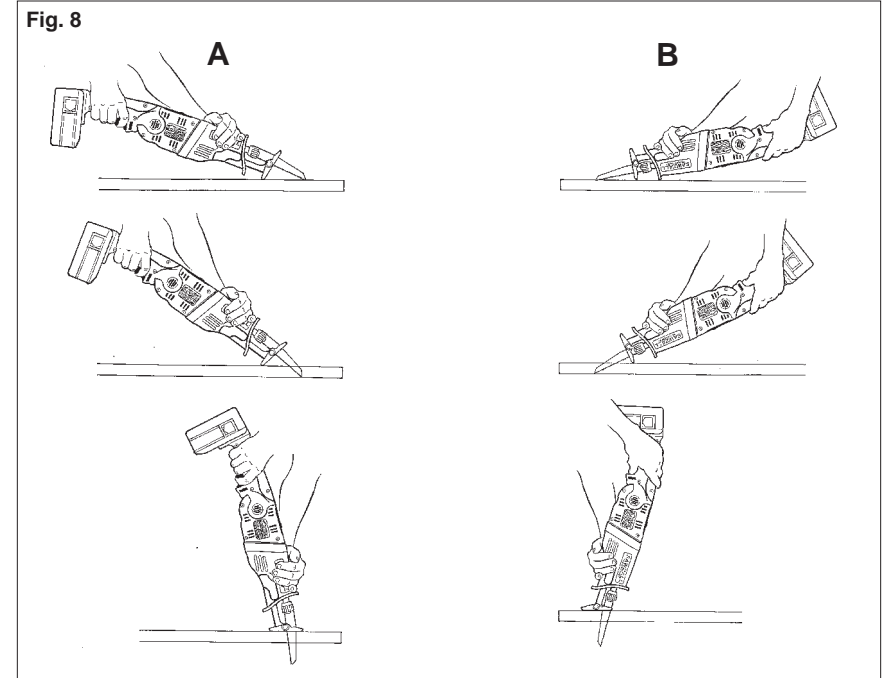
Begin cutting at a slow speed, gradually increasing speed as you cut. When cutting into metals or hard materials that can not be cut from an edge, drill a starting hole larger than the widest part of the blade. Extend blade life by using a solid blade cutting lubricant such as *MILWAUKEE* Band Saw Blade Lubricant Cat. No. 49-08-4206.

Plunge Cutting

Your *MILWAUKEE* Sawzall® is ideal for plunge cutting directly into surfaces that can not be cut from an edge, such as walls or floors. Plunge cutting may be done two ways depending on how the blade is inserted. Column A shows how to plunge cut with the teeth of the blade facing down. Column B shows how to plunge cut with the teeth of the blade facing up.

NOTE: If the blade is installed with the teeth facing upward and orbital action is selected, cutting performance is reduced.

Do not plunge cut into metal surfaces (see "Cutting Metals").



1. Insert the blade into the tool.
If you inserted the blade with the teeth facing downward, hold the tool as shown in Column A, resting the edge of the shoe on the workpiece.
If you inserted the blade with the teeth facing upward, hold the tool as shown in Column B, resting the edge of the shoe on the workpiece as shown.
2. With the blade just above the workpiece, pull the trigger. Using the edge of the shoe as a pivot, lower the blade into the workpiece as shown.
3. As the blade starts cutting, raise the handle of the tool slowly until the shoe rests firmly on the workpiece. Then guide the tool along your cutting line to acquire the desired cut.

NOTE: To make plunge cutting easier, use a heavy gauge blade.



To reduce the risk of explosion, electric shock and property damage, always check the work area for hidden gas pipes, electrical wires or water pipes when making blind or plunge cuts.

MAINTENANCE



WARNING

To reduce the risk of injury, always unplug the charger and remove the battery pack from the charger or tool before performing any maintenance. Never disassemble the tool, battery pack or charger. Contact a **MILWAUKEE** service facility for ALL repairs.

Keep your tool, battery pack and charger in good repair by adopting a regular maintenance program. After six months to one year, depending on use, return the tool, battery pack and charger to a **MILWAUKEE** service facility for:

- Lubrication
- Mechanical inspection and cleaning (gears, spindles, bearings, housing, etc.)
- Electrical inspection (battery pack, charger, motor)
- Testing to assure proper mechanical and electrical operation

Maintaining Tool

If the tool does not start or operate at full power with a fully charged battery pack, clean the contacts on the battery pack. If the tool still does not work properly, return the tool, charger and battery pack, to a **MILWAUKEE** service facility for repairs.



WARNING

To reduce the risk of personal injury and damage, never immerse your tool, battery pack or charger in liquid or allow a liquid to flow inside them.

Cleaning

Clean dust and debris from charger and tool vents. Keep tool handles clean, dry and free of oil or grease. Use only mild soap and a damp cloth to clean the tool, battery pack and charger since certain cleaning agents and solvents are harmful to plastics and other insulated parts. Some of these include gasoline, turpentine, lacquer thinner, paint thinner, chlorinated cleaning solvents, ammonia and household detergents containing ammonia. Never use flammable or combustible solvents around tools.

Repairs

For repairs, return the tool, battery pack and charger to the nearest service center listed on the back cover of this operator's manual.

ACCESSORIES



WARNING

Always remove battery pack before changing or removing accessories. Only use accessories specifically recommended for this tool. Others may be hazardous.

For a complete listing of accessories refer to your **MILWAUKEE** Electric Tool catalog or go on-line to www.milwaukeetool.com. To obtain a catalog, contact your local distributor or a service center listed on the back cover of this operator's manual.

FIVE YEAR TOOL LIMITED WARRANTY

Every **MILWAUKEE** electric power tool (including battery charger) is warranted to the original purchaser only to be free from defects in material and workmanship. Subject to certain exceptions, **MILWAUKEE** will repair or replace any part on a electric power tool which, after examination, is determined by **MILWAUKEE** to be defective in material or workmanship for a period of five (5) years* after the date of purchase. Return the electric power tool and a copy of proof of purchase to a **MILWAUKEE** factory Service/Sales Support Branch location or **MILWAUKEE** Authorized Service Station, freight prepaid and insured, are requested for this warranty to be effective. This warranty does not apply to damage that **MILWAUKEE** determines to be from repairs made or attempted by anyone other than **MILWAUKEE** authorized personnel, misuse, alterations, abuse, normal wear and tear, lack of maintenance, or accidents.

* The warranty period for Hoists (lever, hand chain, & electric chain hoists), Ni-Cd battery packs, Work Lights (cordless flashlights), Job Site Radios, and Trade Titans™ Industrial Work Carts is one (1) year from the date of purchase.

*There is a separate warranty for Li-Ion Battery Packs that accompany the power tools:

*Every **MILWAUKEE** Li-Ion Battery Pack is covered by an initial 1000 Charges/2 Years free replacement warranty. This means that for the earlier of the first 1000 charges or two (2) years from the date of purchase/first charge, a replacement battery will be provided to the customer for any defective battery free of charge. Thereafter, customers will also receive an additional warranty on a pro rata basis up to the earlier of the first 2000 charges or five (5) Years from the date of purchase/first charge. This means that every customer gets an additional 1000 charges or three (3) years of pro rata warranty on the Li-Ion Battery Pack depending upon the amount of use. During this additional warranty period, the customer pays for only the useable service received over and above the first 1000 Charges/2 years, based on the date of first charge and number of charges found on the battery pack via **MILWAUKEE**'s Service Reader. After 1000 charges/2 years from the date of purchase/first charge, the customer will be charged a prorated amount for the service rendered.

Warranty Registration is not necessary to obtain the applicable warranty on a **MILWAUKEE** product. However, proof of purchase in the form of a sales receipt or other information deemed sufficient by **MILWAUKEE**, is requested.

ACCEPTANCE OF THE EXCLUSIVE REPAIR AND REPLACEMENT REMEDIES DESCRIBED HEREIN IS A CONDITION OF THE CONTRACT FOR THE PURCHASE OF EVERY **MILWAUKEE** PRODUCT. IF YOU DO NOT AGREE TO THIS CONDITION, YOU SHOULD NOT PURCHASE THE PRODUCT. IN NO EVENT SHALL **MILWAUKEE** BE LIABLE FOR ANY INCIDENTAL, SPECIAL, CONSEQUENTIAL OR PUNITIVE DAMAGES, OR FOR ANY COSTS, ATTORNEY FEES, EXPENSES, LOSSES OR DELAYS ALLEGED TO BE AS A CONSEQUENCE OF ANY DAMAGE TO, FAILURE OF, OR DEFECT IN ANY PRODUCT INCLUDING, BUT NOT LIMITED TO, ANY CLAIMS FOR LOSS OF PROFITS. THIS WARRANTY IS EXCLUSIVE AND IN LIEU OF ALL OTHER WARRANTIES OR CONDITIONS, WRITTEN OR ORAL, EXPRESSED OR IMPLIED. WITHOUT LIMITING THE GENERALITY OF THE FOREGOING, **MILWAUKEE** DISCLAIMS ANY IMPLIED WARRANTY OF MERCHANTABILITY OR FITNESS FOR A PARTICULAR USE OR PURPOSE, AND ALL OTHER WARRANTIES.

This warranty applies to product sold in the U.S.A., Canada and Mexico only.

Please consult **MILWAUKEE**'s website www.milwaukeetool.com or call 1.800.SAWDUST (1.800.729.3878) to locate your nearest service facility for warranty and non-warranty service on a **MILWAUKEE** electric power tool.

RÈGLES GÉNÉRALES DE SÉCURITÉ POUR LES OUTILS ALIMENTÉS PAR BATTERIE



AVERTISSEMENT

LIRE SOIGNEUSEMENT TOUTES LES INSTRUCTIONS

Le non respect des instructions ci-après peut entraîner des chocs électriques, des incendies et/ou des blessures graves. Le terme «outil électrique» figurant dans les avertissements ci-dessous renvoie à l'outil électrique à alimentation par le réseau (à cordon) ou par batterie (sans fil).

CONSERVER CES INSTRUCTIONS

SÉCURITÉ DU LIEU DE TRAVAIL

1. **Maintenir la zone de travail propre et bien éclairée.** Les zones encombrées ou mal éclairées sont favorables aux accidents.
2. **Ne pas utiliser d'outil électrique dans une atmosphère explosive, telle qu'en en présence de liquides, de gaz ou de poussières inflammables.** Les outils électriques génèrent des étincelles qui peuvent enflammer les poussières ou les fumées.
3. **Tenir les enfants et les personnes non autorisées à l'écart pendant le fonctionnement d'un outil électrique.** Un manque d'attention de l'opérateur risque de lui faire perdre le contrôle de l'outil.

SÉCURITÉ ÉLECTRIQUE

4. **La fiche de l'outil électrique doit correspondre à la prise d'alimentation. Ne jamais modifier la fiche d'une manière quelconque. Ne pas utiliser d'adaptateur avec les outils électriques mis à la terre (à la masse).** Des fiches non modifiées et des prises d'alimentation assorties réduisent le risque de choc électrique.
5. **Éviter tout contact corporel avec des surfaces reliées à la masse ou à la terre telles que tuyaux, radiateurs, cuisinières et réfrigérateurs.** Un risque de choc électrique plus élevé existe si le corps est relié à la masse ou à la terre.
6. **Ne pas exposer les outils électriques à la pluie ou à l'humidité.** Le risque de choc électrique augmente si de l'eau s'infiltré dans un outil électrique.

7. **Prendre soin du cordon. Ne jamais utiliser le cordon pour transporter, tirer ou débrancher l'outil électrique. Tenir le cordon à l'écart de la chaleur, des huiles, des arêtes coupantes ou des pièces en mouvement.** Un cordon endommagé ou emmêlé présente un risque accru de choc électrique.
8. **Se procurer un cordon d'alimentation approprié en cas d'utilisation d'un outil électrique à l'extérieur.** L'utilisation d'un cordon d'alimentation pour usage extérieur réduit le risque de choc électrique.

SÉCURITÉ INDIVIDUELLE

9. **Être sur ses gardes, être attentif et faire preuve de bon sens en utilisant un outil électrique. Ne pas utiliser un outil électrique en cas de fatigue ou sous l'influence de drogues, d'alcool ou de médicaments.** Un instant d'inattention lors de l'utilisation d'un outil électrique peut entraîner des blessures graves.
10. **Utiliser un équipement de sécurité. Toujours porter des lunettes de protection.** Un équipement de sécurité comprenant masque anti-poussière, chaussures de sécurité anti-dérapantes, casque ou dispositif de protection anti-bruit peut, dans les circonstances appropriées, réduire le risque de blessure.
11. **Éviter tout démarrage accidentel de l'outil. S'assurer que le commutateur est en position OFF (Arrêt) avant de brancher l'outil.** Le port de l'outil avec un doigt sur le commutateur ou son branchement avec le commutateur en position ON (Marche) sont favorables aux accidents.

12. **Retirer toute clé de réglage avant de mettre l'outil sous tension.** Une clé laissée attachée sur une pièce mobile de l'outil électrique peut entraîner des blessures.
13. **Ne pas travailler à bout de bras. Bien garder un bon équilibre à tout instant.** Ceci permet de mieux préserver la maîtrise de l'outil électrique dans des situations imprévues.
14. **Porter des vêtements adéquats. Ne pas porter de vêtements amples ni de bijoux. Ne pas approcher les cheveux, vêtements et gants des pièces en mouvement.** Les vêtements amples, les bijoux ou les cheveux longs risquent d'être happés par les pièces en mouvement.
15. **Si des dispositifs sont prévus pour l'extraction et la récupération des poussières, vérifier qu'ils sont connectés et utilisés correctement.** L'utilisation de ces dispositifs peut réduire les risques liés aux poussières.

UTILISATION ET ENTRETIEN DE L'OUTIL ÉLECTRIQUE

16. **Ne pas forcer l'outil électrique. Utiliser l'outil électrique approprié à l'application considérée.** L'outil électrique adapté au projet considéré produira de meilleurs résultats, dans des conditions de sécurité meilleures, à la vitesse pour laquelle il a été conçu.
17. **Ne pas utiliser l'outil électrique si le commutateur ne le met pas sous ou hors tension.** Tout outil électrique dont le commutateur de marche-arrêt est inopérant est dangereux et doit être réparé.
18. **Débrancher la fiche de la prise d'alimentation et/ou la batterie de l'outil électrique avant d'effectuer des réglages, de changer d'accessoires ou de ranger l'outil.** De telles mesures de sécurité préventive réduisent le risque de mettre l'outil en marche accidentellement.
19. **Ranger les outils électriques inutilisés hors de la portée des enfants et ne pas laisser des personnes qui connaissent mal les outils électriques ou ces instructions utiliser ces outils.** Les outils électriques sont dangereux dans les mains d'utilisateurs non formés à leur usage.

20. **Entretien des outils électriques. S'assurer de l'absence de tout désalignement ou de grippage des pièces mobiles, de toute rupture de pièce ou de toute autre condition qui pourrait affecter le bon fonctionnement de l'outil électrique. En cas de dommages, faire réparer l'outil avant de l'utiliser de nouveau.** Les outils électriques mal entretenus sont à la source de nombreux accidents.
21. **Garder les outils de coupe affûtés et propres.** Les outils de coupe correctement entretenus et bien affûtés risquent moins de se gripper et sont plus faciles à manier.
22. **Utiliser cet outil électrique, les accessoires, les mèches, etc. conformément à ces instructions et de la façon prévue pour ce type particulier d'outil électrique, tout en prenant en compte les conditions de travail et le type de projet considérés.** L'utilisation de cet outil électrique pour un usage autre que l'usage prévu peut créer des situations dangereuses.

UTILISATION ET ENTRETIEN DE LA BATTERIE

23. **S'assurer que le commutateur est en position OFF (Arrêt) avant d'insérer la batterie.** L'insertion de la batterie dans un outil électrique dont le commutateur est en position ON (Marche) est favorable aux accidents.
24. **Ne recharger la batterie qu'avec le chargeur spécifié par le fabricant.** Un chargeur qui convient à un type de batterie peut créer un risque d'incendie s'il est utilisé avec un autre type de batterie.
25. **N'utiliser les outils électriques qu'avec les batteries spécialement conçues pour eux.** L'utilisation de batteries d'autres marques peut créer un risque de blessure et d'incendie.
26. **Lorsque la batterie est hors service, la ranger à l'écart d'autres objets métalliques tels que trombones, pièces de monnaie, clés, clous, vis et autres petits objets métalliques qui peuvent établir une connexion d'une borne à l'autre.** Un court-circuit aux bornes de la batterie peut provoquer des brûlures ou un incendie.

27. Du liquide peut être éjecté de la batterie en cas de manutention abusive ; éviter tout contact. En cas de contact accidentel avec les projections, rincer à l'eau. En cas de contact avec les yeux, consulter un médecin. Le liquide s'échappant de la batterie peut provoquer des irritations ou des brûlures.

ENTRETIEN

28. Faire effectuer l'entretien de l'outil électrique par un technicien qualifié qui n'utilisera que des pièces de rechange identiques. La sécurité d'utilisation de l'outil en sera préservée.

Pictographie

	Tension CD seul.
n_o xxx/min.	Cycles para minute á vide (RPM)
	Underwriters Laboratories, Inc.
	Coupe orbitale
	Coupe droite

Spécifications

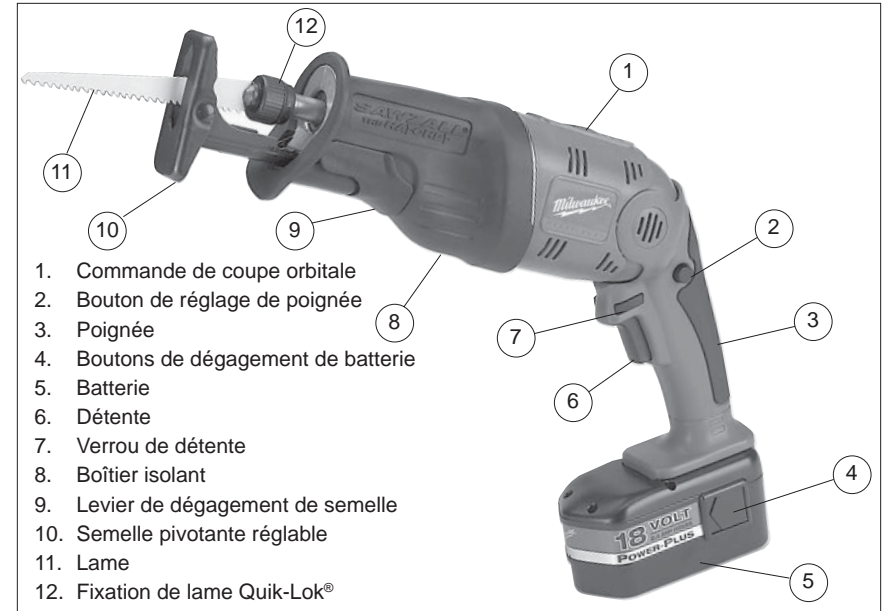
No de Cat.	Volts CD	Longueur de course	Cycles par Minute
6514-20	18	19 mm (3/4")	0 - 2 700

RÈGLES DE SÉCURITÉ SPÉCIFIQUES

1. Tenir l'outil par les surfaces de prise isolées si, au cours des travaux, l'outil de coupe risque d'entrer en contact avec des fils cachés ou avec son propre cordon. Le contact avec un fil sous tension met les parties métalliques exposées de l'outil sous tension, ce qui infligera un choc électrique à l'opérateur.
2. Utiliser des pinces ou d'autres moyens appropriés pour fixer et soutenir la pièce de travail sur une plate-forme stable. Tenir la pièce à la main ou contre soi la rend instable et risque d'entraîner une perte de contrôle.
3. Tenez les mains à l'écart des arêtes tranchantes et des pièces en mouvement.
4. Entretenez les étiquettes et marques di fabricant. Les indications qu'elles contiennent sont précieuses. Si elles deviennent illisibles ou se détachent, faites-les remplacer gratuitement à un centre de service MILWAUKEE accrédité.
5. **AVERTISSEMENT!** La poussière de dégage par perçage, sclage, perçage et autres travaux de construction contient des substances chimiques reconnues comme pouvant causer le cancer, des malformations congénitales ou d'autres troubles de reproduction. Voici quelques exemples de telles substances :
 - Le plomb contenu dans la peinture au plomb.
 - Le silice cristallin contenu dans la brique, le béton et divers produits de maçonnerie.
 - L'arsenic et le chrome servant au traitement chimique du bois.

Les risque associés à l'exposition à ces substances varient, dépendant de la fréquence des travaux. Afin de minimiser l'exposition à ces substances chimiques, assurez-vous de travailler dans un endroit bien aéré et d'utiliser de l'équipement de sécurité tel un masque antipoussière spécifiquement conçu pour la filtration de particules microscopiques.

DESCRIPTION FONCTIONNELLE



1. Commande de coupe orbitale
2. Bouton de réglage de poignée
3. Poignée
4. Boutons de dégagement de batterie
5. Batterie
6. Détonne
7. Verrou de détonne
8. Boîtier isolant
9. Levier de dégagement de semelle
10. Semelle pivotante réglable
11. Lame
12. Fixation de lame Quik-Lok®

MONTAGE DE L'OUTIL

AVERTISSEMENT

Ne recharger la batterie qu'avec le chargeur indiqué pour la batterie. Pour les instructions de charge spécifiques, lire le manuel de l'opérateur fourni avec le chargeur et la batterie.

AVERTISSEMENT

Verrouillez toujours la détente ou retirez la batterie avant de changer ou d'enlever les accessoires. Utilisez les accessoires spécifiquement recommandés pour cet outil, l'utilisation d'autres accessoires pourrait comporter des risques.

Retrait de la batterie de l'outil

Appuyez sur les boutons de dégagement et retirez la batterie.

Introduction de la batterie dans l'outil

La batterie peut être introduite dans l'outil de deux façons.

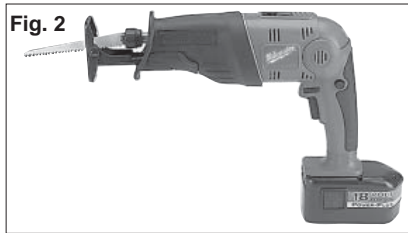
1. Lorsque l'espace est restreint.

Introduisez la batterie par le devant en appuyant sur les boutons de dégagement et en la glissant dans le corps de l'outil pour qu'elle s'enclenche (Fig. 1).



2. Pour une bonne répartition du poids et un bon équilibre.

Introduisez la batterie par l'arrière en appuyant sur les boutons de dégagement et en la glissant dans le corps de l'outil pour qu'elle s'enclenche (Fig. 2).



Sélection d'une lame

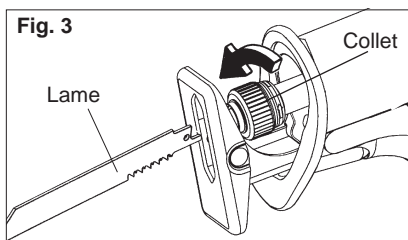
Le collier de lame Quik-Lok® peut être utilisé avec toutes les lames universelles Sawzall® à tiges de 13 mm (1/2"). Utiliser les lames de haute performance Super Sawzall® MIL-WAUKEE pour de meilleures performances. Lors de la sélection de la lame, choisir la longueur et le type de lame corrects.

De nombreux types de lames sont disponibles pour une variété d'applications : sciage de métal, de bois, de bois incrusté de clous, profils en spirale, ébauchage et contours.

De nombreuses longueurs sont également disponibles. Choisir une longueur suffisante pour qu'elle dépasse du patin et de la pièce à travailler sur toute la course. **N'utilisez pas de lames moins longues que 89 mm (3-1/2"), car leur course n'excédera pas la semelle de l'outil tout au long du cycle.**

Pour de meilleures performances et une durée de vie plus longue, voir la section «Accessoires» pour sélectionner la lame la mieux adaptée à l'application.

Pose et retrait des lames Collier de lame Quik-Lok®



1. Retirez la batterie.
2. S'assurer que l'axe et le collier de la lame sont propres. La sciure et les copeaux de métal peuvent empêcher le collier Quik-Lok® de bien serrer la lame (voir « Maintenance »).
3. Pour **poser** une lame, tourner le collier en direction de la flèche tout en insérant la lame dans le collier jusqu'à ce que le tenon vienne buter contre le collier.
Selon le travail à effectuer, la lame peut être insérée avec les dents vers le haut ou les dents vers le bas.
4. Relâcher le collier pour que le mécanisme à ressort vienne comprimer la lame en la maintenant fermement en place.
5. Serrer le collier dans la direction opposée à la flèche pour que la lame soit bien verrouillée dans le collier.
6. Appuyer sur la lame pour vérifier qu'elle est fermement maintenue en position.
7. Pour **retirer** une lame, tourner le collier en direction de la flèche tout en tirant sur la lame. Faire preuve de prudence lors de la manipulation de lames chaudes.

Retrait des lames cassées du collier de lame Quik-Lok®

1. Retirez la batterie.
2. Les lames cassées peuvent être retirées selon les méthodes suivantes.
 - Pointer l'outil vers le bas, tourner le collier et secouer l'outil vers le haut et vers le bas (**NE PAS** mettre l'outil en marche lorsque les doigts sont en train de maintenir le collier de lame ouvert). La tige de la lame cassée doit tomber du collier.
 - Si le fait de secouer l'outil n'est pas suffisant...
Dans la plupart des cas, un coin de la lame cassée s'étend au-delà du collier de la lame. Tourner le collier et tirer sur le coin de la lame cassée pour la faire sortir du collier.
 - Si le bout cassé ne sort pas suffisamment pour être saisi, utiliser une lame fine à petites dents (telle qu'une lame pour coupe de métal) pour accrocher la lame coincée tout en tournant le collier et l'extraire.

MANIEMENT



AVERTISSEMENT

Pour minimiser les risques de blessures, portez des lunettes à coques latérales.

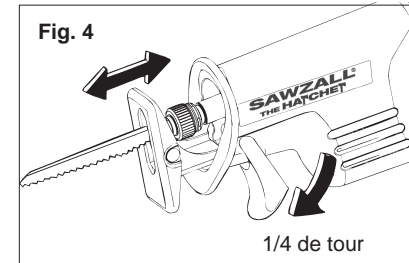
Patin pivot réglable

Le patin peut être réglé vers l'avant et l'arrière en six positions permettant de tirer profit de la portion non utilisée de la lame pour des travaux spéciaux nécessitant un faible dégagement de lame.



AVERTISSEMENT

N'utilisez pas le passe-partout Sawzall sans semelle. Si l'axe d'entraînement vient en contact direct avec un matériau, le mécanisme alternatif pourra subir des dommages.



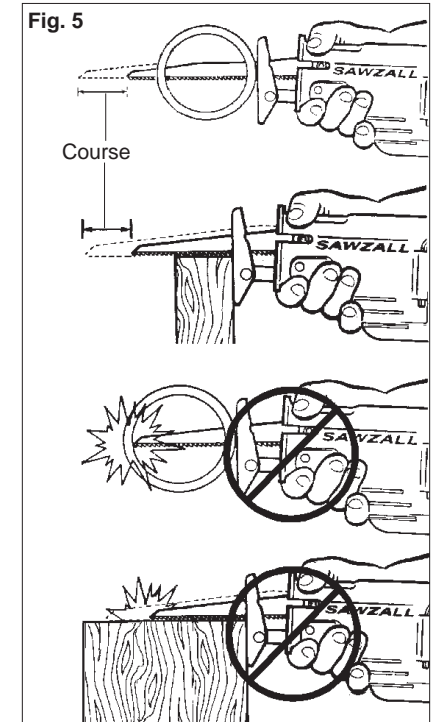
1. Retirez la batterie.
2. Pour régler le patin, tirer le levier de libération du patin d'1/4 de tour vers le bas.
3. Faire glisser le patin vers l'avant ou vers l'arrière à la position désirée.
4. Pour verrouiller le patin en position, pousser sur le levier de libération du patin.
5. Après avoir réglé le patin, tirer lentement sur la gâchette pour vérifier que la lame s'étend toujours au-delà du patin et de la pièce à travailler sur toute la course (Fig. 5).

N'UTILISEZ PAS LE PASSE-PARTOUT SAWZALL SANS SEMELLE. SI L'AXE D'ENTRAÎNEMENT VIENT EN CONTACT DIRECT AVEC UN MATÉRIAU, LE MÉCANISME ALTERNATIF POURRA SUBIR DES DOMMAGES.



AVERTISSEMENT

Pour réduire les risques de blessures, s'assurer que la lame s'étend toujours au-delà du patin et de la pièce à travailler sur toute la course. Les lames peuvent se briser en cas d'impact sur la pièce à travailler ou le patin (Fig. 5).



AVERTISSEMENT

Pour réduire les risques de blessures, ne pas utiliser lorsque le bouton de réglage de la poignée est enfoncé ou lorsque la poignée n'est pas verrouillée en position.

Réglage de l'angle de la poignée

La poignée réglable permet à l'utilisateur de régler l'angle de la poignée pour des positions de sciage optimales.

1. Retirez la batterie.
2. Enfoncer le bouton de réglage de la poignée et le maintenir en position.
3. Faire tourner la poignée à l'angle désiré sur l'une des six encoches. La poignée s'enclenche en position.
4. Relâcher le bouton de réglage de la poignée.

AVERTISSEMENT

Si la poignée bouge lorsque le bouton de réglage de la poignée est en position verrouillée, ne pas utiliser et retourner immédiatement l'outil à un centre d'entretien MILWAUKEE.

AVERTISSEMENT

Pour réduire le risque de blessures, garder les mains à l'écart de la lame et des autres pièces en mouvement.

Commande de vitesse à gâchette

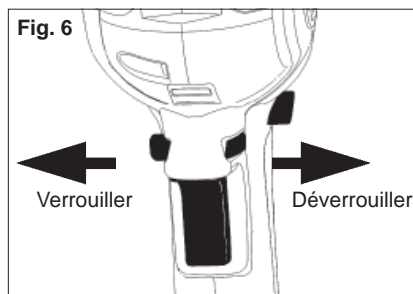
Le Sawzall® Hatchet™ est équipé d'une commande de vitesse à gâchette. Il peut être utilisé à toute vitesse à partir de zéro course par minute à la vitesse maximale. Toujours mettre l'outil en marche avant que la lame n'entre en contact avec la pièce à travailler.

1. Pour mettre l'outil **en marche**, saisir fermement la poignée et tirer sur la gâchette.
2. Pour faire **varier** la vitesse, augmenter ou réduire la pression sur la gâchette. Plus la gâchette est tirée, plus grande est la vitesse.
3. Pour **arrêter** l'outil, relâcher la gâchette. Attendre que l'outil soit complètement arrêté avant de le retirer d'un sciage partiel ou de le poser.

Verrouillage de la détente

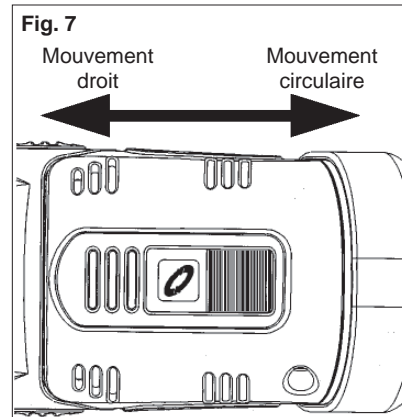
Il faut toujours retirer la batterie et verrouiller la détente de l'outil avant de changer les accessoires, avant d'y faire des réglages ou d'y effectuer des travaux d'entretien. Lorsque vous n'utilisez pas l'outil, placez la détente de l'outil à la position de verrouillage.



1. Pour verrouiller la détente, poussez le verrou de détente dans le sens indiqué. La détente ne pourra être actionnée lorsque la commande est en position de verrouillage.
2. Pour déverrouiller la détente, poussez le verrou de détente dans le sens indiqué.



Utilisation du commutateur de sciage circulaire

Le commutateur de sciage circulaire Sawzall® Hatchet™ permet à l'outil d'être utilisé en un mouvement de va-et-vient droit (non circulaire) ou circulaire. Le mouvement de va-et-vient droit doit être utilisé lorsqu'un sciage doux est nécessaire. Le mouvement circulaire est recommandé pour un sciage rapide et agressif. L'utilisateur doit déterminer les types de mouvement de va-et-vient à utiliser en fonction de leurs caractéristiques de sciage spécifiques.



1. Pour un mouvement de va-et-vient **droit**, appuyer sur le commutateur de sciage circulaire et le faire glisser de sorte que le symbole du mouvement droit  soit illustré.
2. Pour un mouvement circulaire, appuyer sur le commutateur de sciage circulaire et le faire glisser de sorte que le symbole du mouvement circulaire  soit illustré.

Le mouvement circulaire peut être réglé lorsque l'outil est en marche.

N.B. : Si la lame est posée avec les dents face vers le haut et que le mouvement circulaire est sélectionné, les performances de sciage sont réduites.

Sciage général

Pour un sciage droit ou de contour à partir d'un bord, aligner la lame avec la ligne de sciage. Avant que la lame n'entre en contact avec la pièce à travailler, saisir fermement la poignée et tirer sur la gâchette. Guider ensuite l'outil le long de la ligne de sciage. Toujours maintenir le patin plat contre la pièce à travailler pour éviter les vibrations excessives.

Sciage de métaux

Commencer à scier à vitesse lente, puis augmenter la vitesse au fur et à mesure du sciage. Lors du sciage de métaux ou de matériaux durs ne pouvant pas être sciés à partir d'un bord, percer un trou d'abord plus large que la partie la plus large de la lame. Pour allonger la durée de vie de la lame, utiliser un lubrifiant de lame solide tel que le lubrifiant MILWAUKEE Easy-Cut Sawzall Blade No de cat. 49-08-4206.

Sciage en plongée

La scie Sawzall® MILWAUKEE est idéale pour le sciage en plongée effectué directement dans les surfaces ne pouvant pas être sciées à partir d'un bord, telles que les murs et les planchers. Le sciage en plongée peut être effectué de deux façons en fonction de la façon dont la lame est insérée. La colonne A illustre le sciage en plongée avec les dents de la lame vers le bas. La colonne B illustre le sciage en plongée avec les dents de la lame vers le haut.

N.B. : Si la lame est posée avec les dents face vers le haut et que le mouvement circulaire est sélectionné, les performances de coupe sont réduites.

Ne pas scier en plongée dans les surfaces en métal (voir «Sciage de métaux»).



AVERTISSEMENT

Pour réduire les risques d'explosion, de chocs électriques et de dommages matériels, toujours vérifier qu'il n'y a pas de conduites de gaz, de fils électriques ou de conduites d'eau dans la zone de travail lors de procédures de sciage aveugles ou en plongée.



AVERTISSEMENT

Pour minimiser les risques de blessures corporelles, débranchez le chargeur et retirez la batterie du chargeur ou de l'outil avant d'y effectuer des travaux d'entretien. Ne démontez jamais l'outil, la batterie ou le chargeur. Pour toute réparation, consultez un centre de service MILWAUKEE accrédité.

Gardez l'outil, la batterie et le chargeur en bon état en adoptant un programme d'entretien ponctuel. Après une période de six mois à un an, selon l'utilisation, renvoyez l'outil, la batterie et le chargeur à un centre de service MILWAUKEE accrédité pour les services suivants:

- Lubrification
- Inspection et nettoyage de la mécanique (engrenages, pivots, coussinets, boîtier etc.)
- Inspection électrique (batterie, chargeur, moteur)
- Vérification du fonctionnement électromécanique

Entretien de l'outil

Si l'outil ne démarre pas ou ne fonctionne pas à pleine puissance alors qu'il est branché sur une batterie complètement chargée, nettoyez les points de contact entre la batterie et l'outil. Si l'outil ne fonctionne toujours pas correctement, renvoyez l'outil, le chargeur et la batterie à un centre de service MILWAUKEE accrédité, afin qu'on en effectue la réparation (voir "Réparations").



AVERTISSEMENT

Pour minimiser les risques de blessures ou de dommages à l'outil, n'immergez jamais l'outil, la batterie ou le chargeur et ne laissez pas de liquide s'y infiltrer.

MAINTENANCE

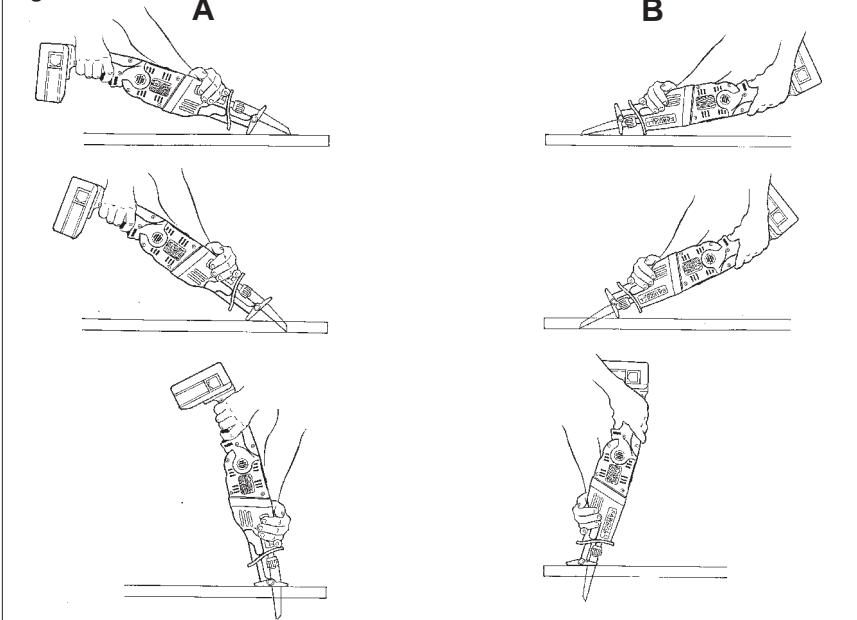
Nettoyage

Débarrassez les événements du chargeur et de l'outil des débris et de la poussière. Gardez les poignées de l'outil propres, à sec et exemptes d'huile ou de graisse. Le nettoyage de l'outil, du chargeur et de la batterie doit se faire avec un linge humide et un savon doux. Certains nettoyants tels l'essence, la térébenthine, les diluants à laque ou à peinture, les solvants chlorés, l'ammoniaque et les détergents d'usage domestique qui en contiennent pourraient détériorer le plastique et l'isolation des pièces. Ne laissez jamais de solvants inflammables ou combustibles auprès de l'outil.

Réparations

Pour les réparations, retournez outil, batterie et chargeur en entier au centre-service le plus près, selon la liste apparaissant à la dernière page de ce manuel.

Fig. 8



1. Insérer la lame dans l'outil.

Si la lame est insérée avec les dents vers le bas, tenir l'outil comme illustré dans la colonne A, en faisant reposer le bord du patin sur la pièce à travailler.

Si la lame est insérée avec les dents vers le haut, tenir l'outil comme illustré dans la colonne B, en faisant reposer le bord du patin sur la pièce à travailler comme illustré.

2. Avec la lame juste au-dessus de la pièce à travailler, tirer sur la gâchette. En utilisant le bord du patin comme un pivot, abaisser la lame sur la pièce à travailler comme illustré.

3. Lorsque la lame commence à scier, relever lentement la poignée de l'outil jusqu'à ce que le patin repose fermement sur la pièce à travailler. Puis guider l'outil le long de la ligne de sciage pour obtenir le sciage désiré.

N.B. : Pour faciliter le sciage en plongée, utiliser une lame de calibre lourd.

ACCESSOIRES



AVERTISSEMENT

Retirez toujours la batterie avant de changer ou d'enlever les accessoires. L'utilisation d'autres accessoires que ceux qui sont spécifiquement recommandés pour cet outil peut comporter des risques.

Pour une liste complète des accessoires, prière de se reporter au catalogue MILWAUKEE Electric Tool ou visiter le site internet www.milwaukeetool.com. Pour obtenir un catalogue, il suffit de contacter votre distributeur local ou l'un des centres-service énumérés sur la page de couverture de ce manuel.

GARANTIE LIMITÉE DE L'OUTIL DE CINQ ANS

Chaque outil électrique *MILWAUKEE* (y compris le chargeur de batterie) est garanti à l'acheteur d'origine être exempt de vice du matériau et de fabrication. Sous réserve de certaines exceptions, *MILWAUKEE* réparera ou remplacera toute pièce d'un outil électrique qui, après examen, sera avéré par *MILWAUKEE* être affecté d'un vice du matériau ou de fabrication pendant une période de cinq (5) ans* après la date d'achat. Le retour de l'outil électrique, accompagné d'une copie de la preuve d'achat à un site d'entretien d'usine/de promotion des ventes de *MILWAUKEE* ou à un poste d'entretien agréé *MILWAUKEE*, en port prépayé et assuré, est requis pour que cette garantie s'applique. Cette garantie ne couvre pas les dommages que *MILWAUKEE* détermine être causés par des réparations ou des tentatives de réparation par quiconque autre que le personnel agréé par *MILWAUKEE*, des utilisations incorrectes, des altérations, des utilisations abusives, une usure normale, une carence d'entretien ou les accidents.

* La période de garantie pour les palans (palans à levier, à chaîne manuelle et à la chaîne électrique), les ensembles de batteries au Ni-Cd, les projecteurs de travail (lampes sans fil), les radios de chantier et les chariots de travail industriel Trade Titans™ est de un (1) an à partir de la date d'achat.

*Il existe une garantie séparée pour les ensembles de batteries au Li-Ion qui accompagnent les outils électriques :

*Chaque bloc de batteries au Li-Ion *MILWAUKEE* est couvert par une garantie de remplacement gratuit initial pour 1 000 charges/2 ans. Ceci signifie qu'avant les 1 000 premières charges ou deux (2) années suivant la date d'achat/la première charge, une batterie de rechange sera gratuitement fournie au client pour toute batterie défectueuse. Par la suite, les clients recevront aussi une garantie supplémentaire calculée au prorata dans la limite de 2 000 charges ou cinq (5) années suivant la date d'achat/la première charge, à la première échéance. Ceci signifie que chaque client obtient une garantie au prorata supplémentaire de 1 000 charges ou de trois (3) des années du bloc de batteries au Li-Ion en fonction de l'utilisation. Pendant cette période de garantie supplémentaire, le client ne paye que pour le service utilisable reçu au-delà des 1 000 premières charges/2 premières années, en fonction de la date de la première charge et du nombre de charges du bloc de batteries déterminés par le lecteur de service *MILWAUKEE*. Au-delà de 1 000 charges/2 ans à compter de la date d'achat/de la première charge, le client sera facturé un montant au prorata du service rendu.

L'enregistrement de la garantie n'est pas nécessaire pour bénéficier de la garantie en vigueur sur un produit *MILWAUKEE*. Une preuve d'achat sous la forme d'un reçu de vente ou d'autres informations considérées suffisantes par *MILWAUKEE* est cependant requise.

L'ACCEPTATION DES RECOURS EXCLUSIFS DE RÉPARATION ET DE REMPLACEMENT DÉCRITS PAR LES PRÉSENTES EST UNE CONDITION DU CONTRAT D'ACHAT DE TOUT PRODUIT *MILWAUKEE*. SI VOUS N'ACCEPTÉZ PAS CETTE CONDITION, VOUS NE DEVEZ PAS ACHETER LE PRODUIT. EN AUCUN CAS *MILWAUKEE* NE SAURAIT ÊTRE RESPONSABLE DE TOUT DOMMAGE ACCESSOIRE, SPÉCIAL OU INDIRECT, DE DOMMAGES-INTÉRÊTS PUNITIFS OU DE TOUTE DÉPENSE, D'HONORAIRES D'AVOCATS, DE FRAIS, DE PERTE OU DE DÉLAIS ACCESSOIRES À TOUT DOMMAGE, DÉFAILLANCE OU DÉFAUT DE TOUT PRODUIT, Y COMPRIS NOTAMMENT LES PERTES DE PROFIT. CETTE GARANTIE EST EXCLUSIVE ET REMPLACE TOUTE AUTRE GARANTIE OU CONDITION, ÉCRITE OU VERBALE, EXPRESSE OU IMPLICITE. SANS LIMITER LA GÉNÉRALITÉ DES DISPOSITIONS PRÉCÉDENTES, *MILWAUKEE* DÉCLINE TOUTE GARANTIE IMPLICITE DE QUALITÉ MARCHANDE OU D'ADAPTATION À UNE UTILISATION OU À UNE FIN PARTICULIÈRE ET TOUTE AUTRE GARANTIE.

Cette garantie s'applique aux produits vendus aux États-Unis, au Canada et au Mexique uniquement.

Veuillez consulter le site Internet de *MILWAUKEE*, www.milwaukeetool.com, ou appeler le 1.800.SAWDUST (1.800.729.3878) pour trouver le site d'entretien le plus proche pour toute réparation, garantie ou non, d'un outil électrique *MILWAUKEE*.

REGLAS DE SEGURIDAD GENERALES PARA HERRAMIENTAS OPERADAS POR BATERÍA



ADVERTENCIA

LEA TODAS LAS INSTRUCCIONES

Si no se siguen todas las siguientes instrucciones se puede provocar una descarga eléctrica, un incendio y/o lesiones graves. El término "herramienta eléctrica" en todas las advertencias incluidas más abajo se refiere a su herramienta operada por conexión (cable) a la red eléctrica o por medio de una batería (inalámbrica).

GUARDE ESTAS INSTRUCCIONES

SEGURIDAD EN EL ÁREA DE TRABAJO

1. **Mantenga limpia y bien iluminada el área de trabajo.** Las áreas desordenadas u oscuras contribuyen a que se produzcan accidentes.
2. **No utilice herramientas eléctricas en atmósferas explosivas, como en la presencia de líquidos, gases o polvo inflamables.** Las herramientas eléctricas crean chispas que pueden incendiar el polvo o las emanaciones.
3. **Mantenga a los niños y otras personas alejadas mientras utiliza una herramienta eléctrica.** Las distracciones pueden hacerle perder el control.

SEGURIDAD ELÉCTRICA

4. **Los enchufes de las herramientas eléctricas deben ser del mismo tipo que el tomacorrientes. Nunca realice ningún tipo de modificación en el enchufe. No use enchufes adaptadores con herramientas eléctricas con conexión a tierra.** Se reducirá el riesgo de descarga eléctrica si no se modifican los enchufes y los tomacorrientes son del mismo tipo.
5. **Evite el contacto corporal con superficies con conexión a tierra, como tuberías, radiadores, estufas y refrigeradores.** El riesgo de descarga eléctrica aumenta si su cuerpo está conectado a tierra.
6. **No exponga la herramientas eléctricas a la lluvia o a condiciones de humedad.** El agua que entra en una herramienta eléctrica aumenta el riesgo de descarga eléctrica.

7. **No abuse del cable. Nunca use el cable para transportar la herramienta eléctrica, tirar de ella o desenchufarla. Mantenga el cable alejado del calor, los bordes afilados o las piezas en movimiento.** Los cables dañados o enmarañados aumentan el riesgo de descarga eléctrica.
8. **Cuando se utiliza una herramienta eléctrica en el exterior, use una extensión que sea apropiada para uso en el exterior.** El uso de un cable apropiado para el exterior reduce el riesgo de descarga eléctrica.

SEGURIDAD PERSONAL

9. **Manténgase alerta, ponga cuidado a lo que está haciendo y use el sentido común cuando utilice una herramienta eléctrica. No use una herramienta eléctrica cuando está cansado o bajo la influencia de drogas, alcohol o medicinas.** Despijarse un minuto cuando se utiliza una herramienta eléctrica puede tener como resultado lesiones personales graves.
10. **Use equipo de seguridad. Lleve siempre protección ocular.** Llevar equipo de seguridad apropiado para la situación, como una máscara antipolvo, zapatos de seguridad antideslizantes casco o protección auditiva, reducirá las lesiones personales.
11. **Evite los arranques accidentales. Asegúrese de que el interruptor esté en la posición de apagado antes de enchufar la herramienta.** Mover herramientas con el dedo en el interruptor o enchufar herramientas con el interruptor en la posición de encendido contribuye a que se produzcan accidentes.

12. **Quite todas las llaves de ajuste antes de encender la herramienta.** Una llave que esté acoplada a una pieza giratoria de la herramienta puede provocar lesiones personales.
13. **No se estire demasiado. Mantenga los pies bien asentados y el equilibrio en todo momento.** Esto permite tener mejor control de la herramienta eléctrica en situaciones inesperadas.
14. **Vístase de manera apropiada. No lleve ropa suelta ni joyas. Mantenga el cabello, la ropa y los guantes lejos de la piezas en movimiento.** La ropa floja, las joyas o el cabello largo pueden quedar atrapados en las piezas en movimiento.
15. **Si se proporcionan dispositivos para la conexión de sistemas de recolección y extracción de polvo, asegúrese de que estén conectados y se usen apropiadamente.** El uso de estos dispositivos puede reducir los peligros relacionados con el polvo.

USO Y CUIDADO DE LAS HERRAMIENTAS ELÉCTRICAS

16. **No fuerce la herramienta eléctrica. Use la herramienta eléctrica correcta para la aplicación.** La herramienta eléctrica correcta funcionará mejor y de manera más segura a la velocidad para la que se diseñó.
17. **No use la herramienta eléctrica si el interruptor no la enciende ni la apaga.** Cualquier herramienta eléctrica que no se pueda controlar con el interruptor es peligrosa y se debe reparar.
18. **Desconecte el enchufe de la toma de alimentación y/o la batería de la herramienta eléctrica antes de realizar cualquier ajuste, cambiar accesorios o almacenar las herramientas eléctricas.** Dichas medidas preventivas de seguridad reducen el riesgo de que la herramienta se prenda accidentalmente.
19. **Almacene las herramientas eléctricas fuera del alcance de los niños y no permita que personas no familiarizadas con ellas o estas instrucciones las utilicen.** Las herramientas eléctricas son peligrosas en las manos de usuarios no capacitados.

20. **Mantenimiento de las herramientas eléctricas. Revise que no haya piezas móviles que estén desalineadas o que se atasquen, piezas rotas ni ninguna otra condición que pueda afectar el funcionamiento de la herramienta eléctrica. Si se encuentran daños, haga que le reparen la herramienta antes de usarla.** Las herramientas mal mantenidas son la causa de muchos accidentes.
21. **Mantenga las herramientas de corte limpias y afiladas.** Es menos probable que se atasquen las herramientas de corte con filos afilados que se mantienen de manera apropiada y también son más fáciles de controlar.
22. **Use la herramienta eléctrica, los accesorios y las brocas, etc. siguiendo estas instrucciones y de la manera para la que dicha herramienta eléctrica en particular fue diseñada, teniendo en cuenta las condiciones de trabajo y la tarea que se va a realizar.** El uso de la herramienta eléctrica para operaciones diferentes de aquellas para las que se diseñó podría resultar en una situación peligrosa.

USO Y CUIDADO DE LAS HERRAMIENTAS CON BATERÍA

23. **Asegurarse de que el interruptor esté en la posición apagada antes de colocar la batería.** Colocar la batería en las herramientas eléctricas que tienen el interruptor en la posición de encendido contribuye a que se produzcan accidentes.
24. **Recárguela solamente con el cargador especificado por el fabricante.** Un cargador que sea apropiado para un tipo de batería puede crear riesgo de incendio cuando se use con otra batería.
25. **Use las herramientas eléctricas solamente con baterías específicamente diseñadas.** El uso de cualquier otro tipo de batería puede crear riesgo de lesiones o incendio.

26. **Cuando no se use la batería manténgala alejada de otros objetos de metal como clips para papel, monedas, llaves, clavos, tornillos u otros objetos de metal pequeños que puedan realizar una conexión entre los bornes.** Realizar un cortacircuito en los terminales de la batería puede provocar quemaduras o un incendio.
27. **Bajo condiciones abusivas, puede salir líquido expulsado de la batería; evitar el contacto. Si se produce un contacto accidental, lavar con agua. Si el líquido entra en contacto con los ojos buscar ayuda médica adicional.** El líquido que sale despedido de la batería puede causar irritaciones o quemaduras.






MANTENIMIENTO

28. **Haga que un técnico calificado realice el mantenimiento de la herramienta eléctrica utilizando solamente piezas de repuesto idénticas.** Esto asegurará que se mantiene la seguridad de la herramienta eléctrica.

REGLAS DE SEGURIDAD ESPECÍFICAS

1. **Agarre la herramienta por los asideros aislados cuando realice una operación en la que la herramienta de corte pueda entrar en contacto con cables ocultos o con su propio cable.** El contacto con un cable "con corriente" hará que las partes de metal expuesto de la herramienta pasen la corriente y produzcan una descarga al operador.

Simbología

	Volts corriente directa
	Revoluciones por minuto sin carga (RPM)
	Underwriters Laboratories, Inc.
	Corte Orbital
	Corte Recto

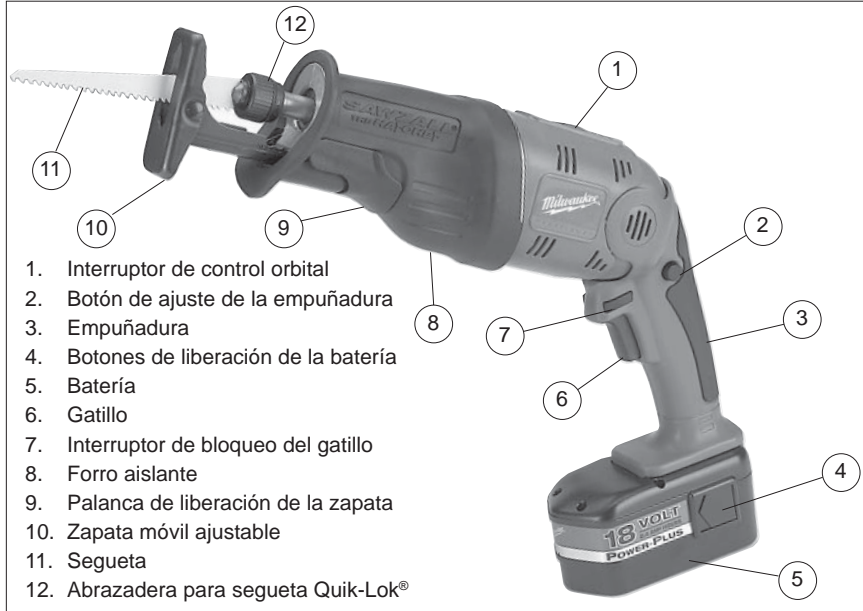
2. **Use abrazaderas u otra manera práctica de asegurar y sujetar la pieza en la que se va a trabajar en una plataforma estable.** Sujetar la pieza con la mano o contra su cuerpo la deja inestable y puede conducir a la pérdida de control.
3. **Mantenga las manos alejadas de todos los bordes cortadores y partes en movimiento.**
4. **Guarde las etiquetas y placas de especificaciones.** Estas tienen información importante. Si son ilegibles o si no se pueden encontrar, póngase en contacto con un centro de servicio de *MILWAUKEE* para una refacción gratis.
5. **¡ADVERTENCIA!** Algunas partículas de polvo resultantes del lijado mecánico, aserrado, esmerilado, taladrado y otras actividades relacionadas a la construcción, contienen sustancias químicas que se saben ocasionan cáncer, defectos congénitos u otros daños al aparato reproductivo. A continuación se citan algunos ejemplos de tales sustancias químicas:
 - plomo proveniente de pinturas con base de plomo
 - sílice cristalino proveniente de ladrillos, cemento y otros productos de albañilería y
 - arsénico y cromo provenientes de madera químicamente tratada.

El riesgo que usted sufre debido a la exposición varía dependiendo de la frecuencia con la que usted realiza estas tareas. Para reducir la exposición a estas sustancias químicas: trabaje en un área bien ventilada, y utilice equipo de seguridad aprobado como, por ejemplo, máscaras contra el polvo que hayan sido específicamente diseñadas para filtrar partículas microscópicas.

Especificaciones

Cat. No.	Volts cd	Largo de Carrera	Carreras por Minuto
6514-20	18	19 mm (3/4")	0 - 2 700

DESCRIPCIÓN FUNCIONAL



ENSAMBLAJE DE LA HERRAMIENTA



ADVERTENCIA

Cargue solamente con el cargador especificado para la batería. Para obtener instrucciones específicas de carga, lea el manual del operador que se incluye con el cargador y la batería.



ADVERTENCIA

Para reducir el riesgo de lesiones, extraiga siempre la batería o bloquee el gatillo antes de acoplar o desacoplar accesorios. Utilice únicamente accesorios específicamente recomendados para esta herramienta. El uso de accesorios no recomendados podría resultar peligroso.

Como se quita la batería de la herramienta

Presione el botón de liberación y saque la batería.

Cómo se retira la batería de la herramienta

Presione el botón de liberación y retire la batería.

1. Para trabajar en espacios reducidos.

Coloque la batería desde el frente, presionando el botón de liberación, deslizando la batería en la parte principal de la herramienta (Fig. 1). Coloque la batería hasta que la grapa se accione.



Fig. 1

2. Para una óptima distribución de peso y equilibrio.

Coloque la batería desde la parte posterior, presionando el botón de liberación y deslizando la bat-

Fig. 2



Selección de una segueta

El portaseguetas Quik-Lok® puede usarse con todas las seguetas Sawzall® universales con una espiga de 13 mm (1/2"). Para obtener el mejor rendimiento, use seguetas de alto rendimiento Super Sawzall® de MILWAUKEE. Al seleccionar una segueta, elija el tipo y la longitud adecuados.

Hay diferentes tipos de seguetas disponibles para diversas aplicaciones: corte de metal, de madera, de madera con clavos incrustados, de rollos de papel, desbastado y contorno.

Se dispone también de muchas longitudes. Elija una segueta que sea lo suficientemente larga para extenderse en todo momento más allá de la zapata y de la pieza que se desea cortar. **No use seguetas con un largo menor a 89 mm (3-1/2") ya que no llegarán a cortar más allá de la zapata.**

Consulte "Accesorios" para seleccionar la mejor segueta para el trabajo a realizar y así obtener el mejor rendimiento y la vida útil más larga.

Instalación y extracción de las seguetas Portaseguetas Quik-Lok®

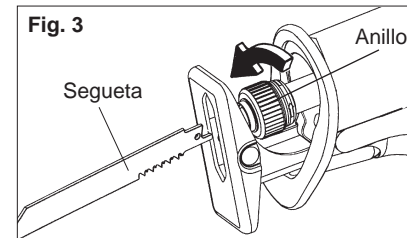


Fig. 3

1. Extraiga la batería.

2. Asegúrese de que los espacios que circundan al portaseguetas y al eje estén limpios. El aserrín y las rebabas de acero pueden hacer que el portaseguetas Quik-Lok® no se cierre bien (consulte "Mantenimiento").

3. Para **instalar** una segueta, haga girar el anillo en la dirección de la flecha mientras introduce la segueta hasta que la cola de ésta toque fondo en el anillo. Dependiendo del trabajo a realizar, la segueta se puede introducir con los dientes hacia arriba o hacia abajo.

4. Suelte el anillo. El mecanismo de resorte de éste afianzará la cuchilla firmemente en su sitio.

5. Haga girar el anillo en la dirección opuesta a la marcada por la flecha para así asegurarse de que la segueta ha quedado bien afianzada en el portaseguetas.

6. Jale con fuerza de la segueta para asegurarse de que ha quedado bien afianzada en su sitio.

7. Para **sacar** una segueta, jálela mientras gira el anillo en la dirección de la flecha. Sea cuidadoso al manipular seguetas calientes.

Extracción de seguetas rotas del portaseguetas Quik-Lok®

1. Extraiga la batería.
2. Las seguetas rotas pueden sacarse siguiendo los siguientes métodos.

- Apunte la herramienta hacia el suelo, gire el anillo y sacuda la herramienta hacia arriba y hacia abajo (**NO** encienda la herramienta mientras sus dedos sostienen el portaseguetas abierto). La espiga de la segueta rota deberá entonces desprenderse del portaseguetas.

- Si el sacudir la herramienta no funciona...

En la mayoría de los casos, un fragmento de la segueta rota se extenderá más allá del portaseguetas. Haga girar el anillo y saque la segueta jalándola de ese fragmento.

- Si el fragmento roto no es lo suficientemente largo para asirlo, utilice una segueta delgada de dientes pequeños (tal como una segueta para cortar metal) para enganchar la segueta que ha quedado atorada en el portaseguetas y sáquela mientras hace girar el anillo.

OPERACION



ADVERTENCIA

Para reducir el riesgo de lesiones, use siempre lentes de seguridad o anteojos con protectores laterales.

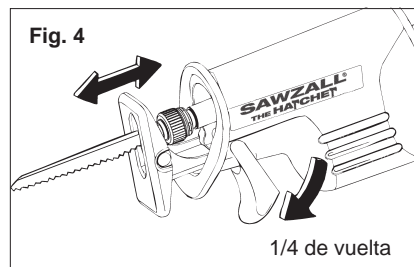
Zapata pivotante ajustable

La zapata puede colocarse en seis diferentes posiciones hacia delante y hacia detrás para aprovechar la parte de la segueta que no está siendo usada o para trabajos especiales que requieren un espacio libre reducido para la segueta.



ADVERTENCIA

No use el Sawzall sin zapata. Se puede dañar el mecanismo de vaivén si el eje golpea contra la pieza.



1. Extraiga la batería.
2. Para ajustar la zapata, saque la palanca de liberación de la misma y gírela 1/4 de vuelta hacia abajo.
3. Deslice la zapata hacia delante o hacia detrás hasta alcanzar la posición deseada.
4. Para trabar la zapata en su posición, empuje hacia dentro la palanca de liberación de la zapata.
5. Después de ajustar la zapata, tire lentamente del gatillo para asegurarse de que la segueta siempre se extiende más allá de la zapata y de la pieza que se desea cortar (Fig. 5).

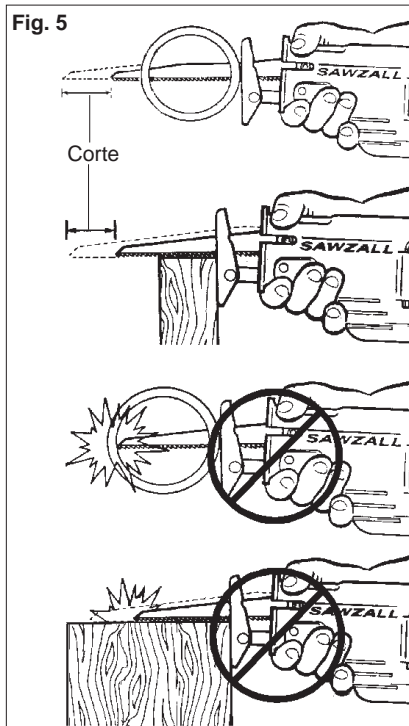
NO UTILICE LA SIERRA SABLE (SAWZALL) SIN ZAPATA. COLPEAR LA FLECHA CONTRA EL MATERIAL PODRIA DAÑAR EL MECANISMO DE VAIVEN.



ADVERTENCIA

Para reducir el riesgo de lesiones, asegúrese de que la segueta siempre se extiende más allá de la zapata y la pieza que se desea cortar. Las seguetas pueden romperse si golpean la pieza que se desea cortar o la zapata (Fig. 5).

Fig. 5



ADVERTENCIA

Para reducir el riesgo de lesiones, no lo use con el botón de ajuste del mango presionado o si el mango no está trabado en la posición correcta.

Ajuste del ángulo del mango

El mango ajustable permite al usuario ajustar su ángulo para obtener buenas posiciones de corte.

1. Extraiga la batería.
2. Presione y mantenga presionado el botón de ajuste del mango.
3. Gire el mango hasta uno de los seis toques hasta conseguir el ángulo deseado. El mango quedará en posición.
4. Suelte el botón de ajuste del mango.



ADVERTENCIA

Si el mango se mueve estando su botón de ajuste en la posición de traba, no lo use y regrese la herramienta a un centro de reparaciones MILWAUKEE inmediatamente.



ADVERTENCIA

Para reducir el riesgo de lesiones, mantenga ambas manos alejadas de la segueta y de otras piezas móviles.

Interruptor de control de la velocidad del gatillo

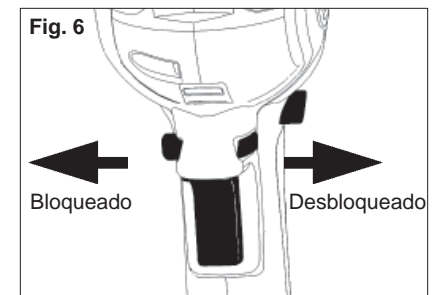
El Sawzall® Hatchet™ está equipado con un interruptor de control de la velocidad del gatillo. Se puede usar a cualquier velocidad, de cero cortes por minuto a la máxima velocidad. Encienda siempre la herramienta antes de que la segueta entre en contacto con la pieza que se desea cortar.

1. Para **encender** la herramienta, agarre el mango firmemente y tire del gatillo.
2. Para **cambiar** la velocidad, aumente o disminuya la presión sobre el gatillo. Cuanto más se tire del gatillo, mayor será la velocidad.
3. Para **parar** la herramienta, soltar el gatillo. Dejar que la herramienta se pare por completo antes de retirar la segueta de un corte parcial o antes de soltar la herramienta.

Bloqueo del gatillo

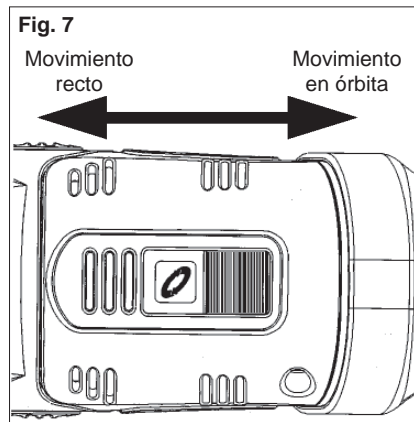
Bloquee siempre el gatillo o extraiga la batería antes de cambiar accesorios, llevar a cabo ajustes o realizar mantenimiento. Bloquee el gatillo cuando no esté utilizando la herramienta y cuando la vaya a guardar.



1. Para bloquear el gatillo, empuje el interruptor de bloqueo del gatillo en la dirección que se muestra. El gatillo no funcionará cuando el interruptor se encuentre en la posición de bloqueo.
2. Para desbloquear el gatillo, empuje el interruptor de bloqueo del gatillo en la dirección que se muestra.



Utilización del interruptor de control de la órbita

El interruptor de control de la órbita del Sawzall® Hatchet™ permite que la herramienta produzca un movimiento de vaivén recto (no en órbita) o en órbita. Se debe usar el movimiento de vaivén recto cuando se necesita un corte preciso. Para cortar de manera rápida y agresiva se recomienda el movimiento en órbita. El usuario es quien debe determinar el tipo de movimiento de vaivén necesario según sus necesidades específicas.



1. Para un movimiento de vaivén **recto**, presione el interruptor de control de la órbita y deslícelo de tal modo que se vea el símbolo de movimiento recto .
2. Para un movimiento en **órbita**, presione el interruptor de control de la órbita y deslícelo de tal modo que se vea el símbolo de movimiento en órbita .

El movimiento en órbita puede ajustarse mientras la herramienta está prendida.

NOTA: Si se instala la segueta con los dientes orientados hacia arriba y se selecciona el movimiento en órbita, se reduce el rendimiento del corte.

Corte general

Para cortar recto o en curva desde un borde, alinee la segueta con la línea de corte. Antes de que la segueta entre en contacto con la pieza que se está trabajando, agarre bien el mango y tire del gatillo. Después guíe la herramienta a lo largo de la línea de corte. Siempre mantenga la zapata plana contra la pieza para evitar que vibre excesivamente.

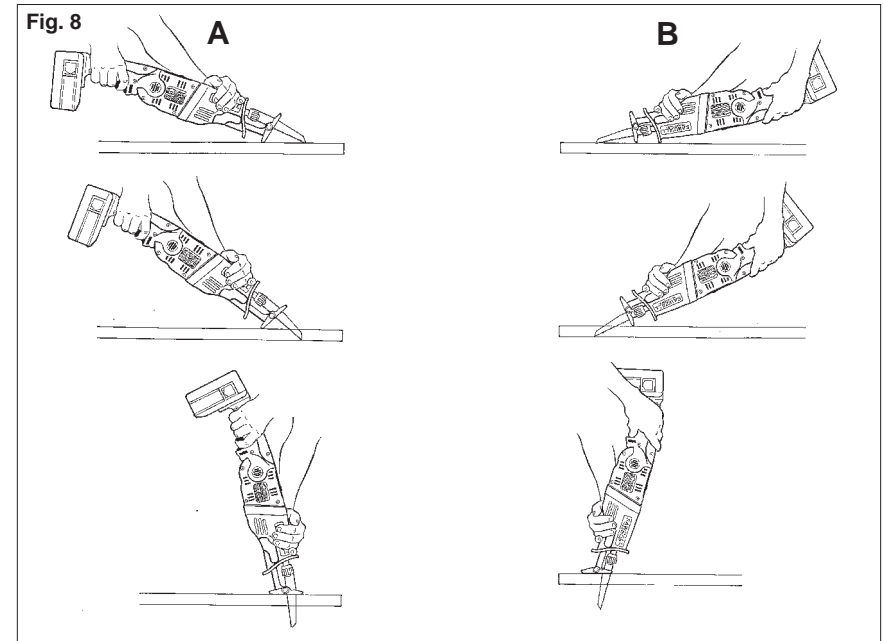
Corte de metales

Empiece a cortar a baja velocidad y aumentela gradualmente a medida que va cortando. Cuando tenga que cortar metales o materiales duros que no puedan cortarse comenzando por un borde, taladre un agujero inicial mayor que la parte más ancha de la segueta. Alargue la duración de la segueta usando un lubricante de corte con segueta sólido como por ejemplo el lubricante para seguetas MILWAUKEE Easy-Cut Sawzall Cat. No. 49-08-4206.

Corte por penetración

Su MILWAUKEE Sawzall® es ideal para cortes por penetración directamente en superficies que no se pueden cortar desde un borde, como por ejemplo paredes o techos. El corte por penetración se puede realizar de dos maneras diferentes, dependiendo de cómo se inserte la segueta. La columna A muestra cómo cortar por penetración con los dientes de la segueta hacia abajo. La columna B muestra cómo cortar por penetración con los dientes de la segueta hacia arriba.

NOTA: Si se instala la segueta con los dientes orientados hacia arriba y se selecciona el movimiento en órbita, se reduce el rendimiento del corte.



1. Inserte la segueta en la herramienta. Si insertó la segueta con los dientes hacia abajo, sujete la herramienta tal y como se muestra en la Columna A, descansando el borde de la zapata en la pieza. Si insertó la segueta con los dientes hacia arriba, sujete la herramienta tal y como se muestra en la Columna B, descansando el borde de la zapata en la pieza tal y como se muestra.
2. Con la segueta justo encima de la pieza, tire del gatillo. Usando el borde de la

No use el corte por penetración en superficies de metal (consulte "Corte de metales").



ADVERTENCIA

Para reducir el riesgo de explosión, descargas eléctricas y daños a la propiedad, siempre verifique que en el área de trabajo no haya conductos de gas, cables eléctricos ni tuberías de agua ocultos cuando vaya a realizar un corte a ciegas o por penetración.

zapata como pivote, baje la cuchilla e introdúzcala en la pieza tal y como se muestra.

3. A medida que la segueta empiece a cortar, suba el mango de la herramienta lentamente hasta que la zapata descanse firmemente en la pieza. Después, guíe la herramienta a lo largo de la línea de corte para conseguir el corte deseado.

NOTA: Para hacer que el corte por penetración resulte más fácil use una segueta de calibre pesado.

MANTENIMIENTO



ADVERTENCIA

Para reducir el riesgo de una lesión, desconecte siempre la herramienta antes de darle cualquier mantenimiento. Nunca desarme la herramienta ni trate de hacer modificaciones en el sistema eléctrico de la misma. Acuda siempre a un Centro de Servicio MILWAUKEE para TODAS las reparaciones.

Adopte un programa regular de mantenimiento y mantenga sus baterías y cargador en buenas condiciones. Después de 6 meses a un año, dependiendo del uso dado, envíe su herramienta, batería y cargador, al Centro de Servicio MILWAUKEE más cercano para que le hagan:

- Lubricación
- Inspección mecánica y limpieza (engranes, flechas, baleros, carcaza, etc.)
- Inspección eléctrica (batería, cargador, motor)
- Probarla para asegurar una adecuada operación mecánica y eléctrica

Mantenimiento de la herramienta

Si la herramienta no arranca u opera a toda su potencia con una batería completamente cargada, limpie, con una goma o borrador, los contactos de la batería y de la herramienta. Si aun así la herramienta no trabaja correctamente, regrésela, con el cargador y la batería, a un centro de servicio MILWAUKEE para que sea reparada.



ADVERTENCIA

Para reducir el riesgo de una lesión, descarga eléctrica o daño a la herramienta, batería o cargador, nunca los sumerja en líquidos ni permita que estos fluyan dentro de los mismos.

Limpieza

Limpie el polvo y suciedad de las ventilas del cargador y la herramienta. Mantenga los mangos y empuñaduras limpios, secos y libres de aceite o grasa. Use solo jabón neutro y un trapo húmedo para limpiar la herramienta, batería y el cargador, ya que algunos substancias y solventes limpiadores son dañinos a los plásticos y partes aislantes. Algunos de estos incluyen: gasolina, turpentina, thinner, lacas, thinner para pinturas, solventes para limpieza con cloro, amoníaco y detergentes caseros que tengan amoníaco. Nunca usa solventes inflamables o combustibles cerca de una herramienta.

Reparaciones

Si su herramienta, batería o cargador están dañados, envíela al centro de servicio más cercano de los listados en la cubierta posterior de este manual del operario.

ACCESORIOS



ADVERTENCIA

Para reducir el riesgo de lesiones, siempre extraiga la batería antes de cambiar o retirar accesorios. Utilice únicamente accesorios específicamente recomendados para esta herramienta. El uso de accesorios no recomendados podría resultar peligroso.

Para una lista completa de accesorios, refiérase a su catálogo MILWAUKEE Electric Tool o visite nuestro sitio en Internet: www.milwaukeetool.com. Para obtener un catálogo, contacte su distribuidor local o uno de los centros de servicio listos en la página de cubierta de este manual.

GARANTÍA LIMITADA DE CINCO AÑOS

Cada herramienta eléctrica MILWAUKEE (incluyendo el cargador de batería) está garantizada sólo al comprador original de estar libre de defectos en el material y la mano de obra. Sujeto a ciertas excepciones, MILWAUKEE reparará o reemplazará por un período de cinco (5) años* después de la fecha de compra cualquier pieza en una herramienta eléctrica que, después de haber sido examinada, MILWAUKEE determine que está defectuosa en el material o la mano de obra. Regrese la herramienta eléctrica y una copia de la prueba de compra a un concesionario de soporte de ventas/servicio de fábrica MILWAUKEE o a una estación de servicio autorizada MILWAUKEE. Para que esta garantía sea efectiva, se requiere el flete pagado por anticipado y el seguro. Esta garantía no aplica a los daños que MILWAUKEE determine sean ocasionados por reparaciones o intentos de reparación por cualquier otro que personal autorizado por MILWAUKEE, uso indebido, alteraciones, abuso, desgaste y deterioro normal, falta de mantenimiento o accidentes.

* El período de garantía para Montacargas (de palanca, de cadena de mano y de cadena eléctrica), baterías de Ni-Cd, linternas de trabajo (inalámbricas), radios Job Site, y carros para trabajo industrial Trade Titans™ es de un (1) año a partir de la fecha de compra.

*Hay una garantía separada para las baterías de iones de litio que acompañan las herramientas eléctricas:

*Cada batería de iones de litio de MILWAUKEE está cubierta con una garantía de reemplazo gratuito por las primeras 1000 cargas/2 años. Esto significa que por lo que suceda primero, las primeras 1000 cargas o dos (2) años de la fecha de compra/primer carga, se proporcionará sin cargo al cliente, una batería de reemplazo por cualquier batería defectuosa. A partir de entonces, los clientes recibirán una garantía adicional en una base proporcional que puede ser hasta de las primeras 2000 cargas o cinco (5) años de la fecha de compra/primer carga, lo que suceda primero. Esto significa que cada cliente obtiene una garantía proporcional de 1000 cargas o tres (3) años adicionales en la batería de iones de litio, dependiendo de la cantidad de uso. Durante este período adicional de garantía, el cliente paga por sólo el servicio utilizable recibido durante y superior a las primeras 1000 cargas/2 años, en base de la fecha de la primer carga y número de cargas encontrados en la batería a través del lector de servicio de MILWAUKEE. Se carga una cantidad proporcionalmente por el servicio presentado al cliente, después de 1000 cargas/2 años de la fecha de compra/primer carga.

El registro de la garantía no es necesario para obtener la garantía aplicable en un producto MILWAUKEE. Sin embargo, se requiere un recibo de compras u otra información similar que MILWAUKEE considere suficiente.

LA ACEPTACIÓN DE LOS REMEDIOS EXCLUSIVOS DE REPARACIÓN Y REEMPLAZO AQUÍ DESCRITOS ES UNA CONDICIÓN DEL CONTRATO EN LA COMPRA DE CADA PRODUCTO MILWAUKEE. SI NO ESTÁ DE ACUERDO CON ESTA CONDICIÓN, NO DEBERÍA COMPRAR ESTE PRODUCTO. EN NINGÚN CASO MILWAUKEE SERÁ RESPONSABLE POR CUALESQUIER DAÑO PUNITIVO, CONSECUENTE, ESPECIAL, INCIDENTAL O POR CUALESQUIER COSTO, HONORARIOS DE ABOGADO, GASTOS, PÉRDIDAS O RETRASOS QUE SE ARGUMENTE QUE SEAN UNA CONSECUENCIA DE CUALQUIER DAÑO A, FALLA DE, O DEFECTO EN CUALQUIER PRODUCTO, INCLUYENDO, PERO SIN LIMITARSE A, CUALQUIER RECLAMO POR PÉRDIDAS DE GANANCIAS. ESTA GARANTÍA ES EXCLUSIVA Y REEMPLAZA TODAS LAS DEMÁS GARANTÍAS O CONDICIONES, ORALES O ESCRITAS, EXPRESAS O IMPLÍCITAS. SIN LIMITAR LA GENERALIDAD DE LO ANTERIOR, MILWAUKEE RENUNCIA A TODA GARANTÍA IMPLÍCITA DE COMERCIABILIDAD O APTITUD PARA UN FIN O USO ESPECÍFICO Y DEMÁS GARANTÍAS.

Esta garantía es válida solamente en el producto vendido en los Estados Unidos, México y Canadá.

Consulte la página Web de MILWAUKEE www.milwaukeetool.com o llame al 1.800.SAWDUST (1.800.729.3878) para localizar su técnico de servicio más cercano para el servicio con o sin garantía en una herramienta eléctrica MILWAUKEE.

Super Sawzall Blades
Lames Super Sawzall Bimétalliques
Seguetas Bi-Metálicas Sawzall

Available in 5-per pack, all with 1/2" universal tang.
 Offertes en paquets de 5 lames à tenon universal 13 mm (1/2").
 Presentaciones de 5 seguetas paquete, todas con entrada universal de 13 mm (1/2").

• Cat. No. 5 per pouch	• Cat. No. 2 per pouch	• Teeth Per Inch /25 mm • Dents/25 mm (1") • Dientes x 25 mm	Length x Width		
• No de Cat. 5 par sachet	• No de Cat. 2 par sachet		Longueur x Largeur		
• Cat. No. 5 por sobre	• Cat. No. 2 por sobre		Largo x Ancho		
			Inches	/	mm

Wood Cutting Blades • Lames à Couper Le Bois • Seguetas Para Cortar Madera



For cutting wood, nail-embedded wood, composition materials.
 Coupe de bois, bois cloué, agglomérés.
 Para cortar madera, madera con clavos y materiales compuestos.

48-01-5011	48-02-5011	6	4 x 3/4	102 x 19
48-01-5012	48-02-5012	6	6 x 3/4	152 x 19

Wood Cutting Blades • Lames À Couper Le Bois • Seguetas Para Cortar Madera



For cutting wood, nail-embedded wood, general roughing-in, all purpose. Coupe de bois, bois cloué, dégrossissage général, tout usage. Para cortar madera, madera con clavos, cortes en general en bruto.

48-01-5031	48-02-5031	5/8	6 x 3/4	152 x 19
48-01-5035	48-02-5035	6	6 x 3/4	152 x 19
48-01-5036	48-02-5036	6	9 x 3/4	229 x 19
48-01-5037	48-02-5037	6	12 x 3/4	305 x 19
48-01-5041	48-02-5041	4/6	6 x 1/2	152 x 13

Plaster Cutting Blade • Lame À Couper Le Plâtre • Seguetas Para Cortar Materiales Emplastados



For cutting plaster with metal lath.
 Coupe de plâtre et lattis métallique.
 Para cortar emplastados con respaldo de metal.

48-01-5052	48-02-5052	6	5 x 3/4	127 x 19
------------	------------	---	---------	----------

All Purpose Blades • Lames Tout Usage • Seguetas Para Cortes En General



For cutting wood, nail-embedded wood, plastics, fiberglass, metals, cast iron. Pour coupe de bois, bois cloué, plastique, fibre de verre, métaux et fonte. Para cortar madera, madera con clavos, plasticos, fibra de vidrio, metales y hierro.

48-01-5090	48-02-5090	10	4 x 3/4	102 x 19
48-01-5092	48-02-5092	10	6 x 3/4	152 x 19
48-01-5091	48-02-5091	8/12	6 x 3/4	152 x 19
48-01-5093	48-02-5093	8/12	8 x 3/4	203 x 19
48-01-5094	48-02-5094	8/12	12 x 3/4	305 x 19
48-01-5193	48-02-5193	10/14	8 x 5/8	203 x 16
48-01-5194	48-02-5194	10/14	12 x 5/8	305 x 16

• Cat. No. 5 per pouch	• Cat. No. 2 per pouch	• Teeth Per Inch • Dents/25 mm (1") • Dientes x 25 mm	Length x Width		
• No de Cat. 5 par sachet	• No de Cat. 2 par sachet		Longueur x Largeur		
• Cat. No. 5 por sobre	• Cat. No. 2 por sobre		Largo x Ancho		
			Inches	/	mm

Metal Scroll Cutting Blades • Lame Pour Tailler Et Découper Dans Le Métal



• Seguetas Para Calar En Metal

For cutting metal, scroll cutting.
 Pour tailler et découper dans le métal.
 Para cortar metal, en cortes calados.

48-01-5161	48-02-5161	10	3-5/8 x 5/16	92 x 8
48-01-5162	48-02-5162	14	3-5/8 x 5/16	92 x 8
48-01-5163	48-02-5163	18	3-5/8 x 5/16	92 x 8

Metal Cutting Blades • Lames à Métal • Seguetas Para Cortar Metal



For heavy gauge metal, fiberglass.
 Métaux épais, fibre de verre.
 Para metal de calibres gruesos y fibra de vidrio.

48-01-5181	48-02-5181	14	4 x 3/4	102 x 19
48-01-5182	48-02-5182	14	6 x 3/4	152 x 19
48-01-5282	48-02-5282	14	6 x 5/8	152 x 16
48-01-5187	48-02-5187	14	9 x 3/4	229 x 19
48-01-5183	48-02-5183	18	4 x 3/4	102 x 19
48-01-5184	48-02-5184	18	6 x 3/4	152 x 19
48-01-5284	48-02-5284	18	6 x 5/8	152 x 16
48-01-5188	48-02-5188	18	9 x 3/4	229 x 19
48-01-5189	48-02-5189	18	12 x 3/4	305 x 19
48-01-5185	48-02-5185	24	4 x 3/4	102 x 19
48-01-5186	48-02-5186	24	6 x 3/4	152 x 19
48-01-5286	48-02-5286	24	6 x 5/8	152 x 16

Ax Blades • Ax Baldes • Hojas Ax

Thicker extra wide blades for plunge cutting and demolition work. Lames extra larges et plus épaisses pour coupes en plongée et travaux de démolition. Hojas extra anchas y más gruesas para cortes penetrantes y tareas de demolición.



--	--	5/8	6 x 1	152 x 25
--	--	5/8	9 x 1	229 x 25
--	--	5/8	12 x 1	305 x 25

Torch Blades • Torch Blades • Hojas Torch

Thicker, extra wide blades for metal cutting. Lames extra larges et plus épaisses pour coupe du métal. Hojas extra anchas y más gruesas para cortes de metales.



	48-00-8700	8	6 x 1	152 x 25
	48-00-8705	8	9 x 1	229 x 25
	48-00-8710	8	12 x 1	305 x 25
	--	10	6 x 1	152 x 25
	--	10	9 x 1	229 x 25
	--	14	6 x 1	152 x 25
	--	14	9 x 1	229 x 25
	--	18	6 x 1	152 x 25
	--	18	9 x 1	229 x 25
	--	18	12 x 1	305 x 25

UNITED STATES - MILWAUKEE Service

MILWAUKEE prides itself in producing a premium quality product that is NOTHING BUT HEAVY DUTY®. Your satisfaction with our products is very important to us!

If you encounter any problems with the operation of this tool, or you would like to locate the *factory Service/Sales Support Branch* or *authorized service station*

nearest you, please call...

1-800-SAWDUST

(1.800.729.3878)

NATIONWIDE TOLL FREE

Monday-Friday • 8:00 AM - 4:30 PM • Central Time

or visit our website at

www.milwaukeetool.com

For service information, use the 'Service Center Search' icon found in the 'Parts & Service' section.

Additionally, we have a nationwide network of *authorized* Distributors ready to assist you with your tool and accessory needs. Check your "Yellow Pages" phone directory under "Tools-Electric" for the names & addresses of those nearest you or see the 'Where To Buy' section of our website.

Corporate After Sales Service - Technical Support

Brookfield, Wisconsin USA

•Technical Questions •Service/Repair Questions •Warranty

1-800-SAWDUST

(1.800.729.3878) fax: 1.800.638.9582

email: metproductsupport@milwaukeetool.com

Monday-Friday • 8:00 AM - 4:30 PM • Central Time

Canada - Service MILWAUKEE

MILWAUKEE est fier de proposer un produit de première qualité NOTHING BUT HEAVY DUTY®. Votre satisfaction est ce qui compte le plus!

En cas de problèmes d'utilisation de l'outil ou pour localiser le centre de service/ventes ou le *centre d'entretien* le plus proche, appelez le...

416.439.4181

fax: 416.439.6210

Milwaukee Electric Tool (Canada) Ltd

755 Progress Avenue

Scarborough, Ontario M1H 2W7

Notre réseau national de distributeurs *agréés* se tient à votre disposition pour fournir l'aide technique, l'outillage et les accessoires nécessaires. Composez le 416.439.4181 pour obtenir les noms et adresses des revendeurs les plus proches ou bien consultez la section «Où acheter» sur notre site web à l'adresse

www.milwaukeetool.com

MEXICO - Soporte de Servicio MILWAUKEE

Milwaukee Electric Tool, S.A. de C.V.

Blvd. Abraham Lincoln no. 13

Colonia Los Reyes Zona Industrial

Tlalnepantla, Edo. México C.P. 54073

Tel. (55) 5565-1414 Fax: (55) 5565-6874

Adicionalmente, tenemos una red nacional de distribuidores *autorizados* listos para ayudarte con su herramienta y sus accesorios. Por favor, llame al (55) 5565-1414 para obtener los nombres y direcciones de los más cercanos a usted, o consulte la sección 'Where to buy' (Dónde comprar) de nuestro sitio web en

www.milwaukeetool.com

MILWAUKEE ELECTRIC TOOL CORPORATION

13135 West Lisbon Road • Brookfield, Wisconsin, U.S.A. 53005

58-14-6514d7

04/06

Printed in USA