



**OPERATOR'S MANUAL  
MANUEL DE L'UTILISATEUR  
MANUAL DEL OPERARIO**

**Catalog No.  
No de Cat.  
Catálogo No.  
4931  
4935  
4991  
4995  
5051  
5091**



**HEAVY-DUTY BENCH GRINDER  
ESMERILADORA DE BANCO PARA SERVICIO PESADO  
MEULEUSE D'ÉTABLI EXTRA ROBUSTE**

***TO REDUCE THE RISK OF INJURY, USER MUST READ AND UNDERSTAND OPERATOR'S MANUAL.  
AFIN DE RÉDUIRE LE RISQUE DE BLESSURES, L'UTILISATEUR DOIT LIRE ET BIEN COMPRENDRE LE MANUEL  
DE L'UTILISATEUR.  
PARA REDUCIR EL RIESGO DE LESIONES, EL USUARIO DEBE LEER Y ENTENDER EL MANUAL DEL OPERADOR.***



## GENERAL SAFETY RULES



### WARNING!

#### READ AND UNDERSTAND ALL INSTRUCTIONS

Failure to follow all instructions listed below, may result in electric shock, fire and/or serious personal injury.


#### SAVE THESE INSTRUCTIONS

**READ AND SAVE ALL INSTRUCTIONS FOR FUTURE USE.** Before use, be sure everyone using this tool reads and understands this manual as well as any labels packaged with or attached to the tool.

### WORK AREA

1. **KEEP WORK AREA CLEAN AND WELL LIT.** Cluttered, dark work areas invite accidents.
2. **AVOID DANGEROUS ENVIRONMENTS.** Do not use your power tool in rain, damp or wet locations or in the presence of explosive atmospheres (gaseous fumes, dust or flammable materials). Remove materials or debris that may be ignited by sparks.
3. **KEEP BYSTANDERS AWAY.** Children and bystanders should be kept at a safe distance from the work area to avoid distracting the operator and contacting the tool or extension cord.
4. **PROTECT OTHERS IN THE WORK AREA** from debris such as chips and sparks. Provide barriers or shields as needed.
5. **MAKE WORKSHOP CHILD PROOF** with padlocks, master switches, or by removing starter keys.

### ELECTRICAL SAFETY

6. **GROUNDING TOOLS MUST BE PLUGGED INTO AN OUTLET PROPERLY INSTALLED AND GROUNDED IN ACCORDANCE WITH ALL CODES AND ORDINANCES.** Never remove the grounding prong or modify the plug in any way. Do not use any adaptor plugs. Check with a qualified electrician if you are in doubt as to whether the outlet is properly grounded. If the tool should electrically malfunction or break down, grounding provides a low resistance path to carry electricity away from the user.
7. **DOUBLE INSULATED TOOLS ARE EQUIPPED WITH A POLARIZED PLUG (ONE BLADE IS WIDER THAN THE OTHER.) THIS PLUG WILL FIT IN A POLARIZED OUTLET ONLY ONE WAY. IF THE PLUG DOES NOT FIT FULLY IN THE OUTLET, REVERSE THE PLUG. IF IT STILL DOES NOT FIT, CONTACT A QUALIFIED ELECTRICIAN TO INSTALL A POLARIZED OUTLET. DO NOT CHANGE THE PLUG IN ANY WAY.** Double insulation  eliminates the need for the three wire grounded power cord and grounded power supply system.
8. **GUARD AGAINST ELECTRIC SHOCK.** Prevent body contact with grounded surfaces such as pipes, radiators, ranges and refrigerators. When making blind or plunge cuts, always check the work area for hidden wires or pipes. Hold your tool by insulated nonmetal grasping surfaces. Use a Ground Fault Circuit Interrupter (GFCI) to reduce shock hazards.
9. **DO NOT EXPOSE TO RAIN OR USE IN DAMP LOCATIONS.**
10. **DO NOT ABUSE THE CORD. NEVER USE THE CORD TO CARRY THE TOOLS OR PULL THE PLUG FROM AN OUTLET. KEEP CORD AWAY FROM HEAT, OIL, SHARP EDGES OR MOVING PARTS. REPLACE DAMAGED CORDS IMMEDIATELY.** Damaged cords increase the risk of electric shock.

### PERSONAL SAFETY

11. **KNOW YOUR POWER TOOL.** Read this manual carefully to learn your power tool's applications and limitations as well as potential hazards associated with this type of tool.
12. **STAY ALERT, WATCH WHAT YOU ARE DOING, AND USE COMMON SENSE WHEN OPERATING A POWER TOOL. DO NOT USE TOOL WHILE TIRED OR UNDER THE INFLUENCE OF DRUGS, ALCOHOL, OR MEDICATION.** A moment of inattention while operating power tools may result in serious personal injury.

13. **DRESS PROPERLY.** Do not wear loose clothing or jewelry. Wear a protective hair covering to contain long hair. These may be caught in moving parts. When working outdoors, wear rubber gloves and insulated non-skid footwear. Keep hands and gloves away from moving parts.
14. **REDUCE THE RISK OF UNINTENTIONAL STARTING.** Be sure your tool is turned off before plugging it in. Do not use a tool if the power switch does not turn the tool on and off. Do not carry a plugged-in tool with your finger on the switch.
15. **REMOVE ALL ADJUSTING KEYS AND WRENCHES.** Form the habit of checking that adjusting keys, wrenches, etc. are removed from the tool before turning it on.
16. **DO NOT OVERREACH. MAINTAIN CONTROL.** Keep proper footing and balance at all times. Maintain a firm grip. Use extra care when using tool on ladders, roofs, scaffolds, etc.
17. **USE SAFETY EQUIPMENT.** Everyone in the work area should wear **safety goggles or glasses with side shields** complying with current safety standards. Everyday eyeglasses only have impact resistant lenses. They are not safety glasses. Wear hearing protection during extended use and a dust mask for dusty operations. Hard hats, face shields, safety shoes, etc. should be used when specified or necessary. Keep a fire extinguisher nearby.
18. **KEEP GUARDS IN PLACE** and in working order.
19. **NEVER STAND ON TOOL.** Serious injury could occur if the tool is tipped or if the cutting tool is unintentionally contacted.
20. **KEEP HANDS AWAY FROM ALL CUTTING EDGES AND MOVING PARTS.**

### TOOL USE AND CARE

21. **SECURE WORK.** Use a clamp, vise or other practical means to hold your work securely, freeing both hands to control the tool.
22. **DO NOT FORCE TOOL.** Your tool will perform best at the rate for which it was designed. Excessive force only causes operator fatigue, increased wear and reduced control.
23. **USE THE RIGHT TOOL.** Do not use a tool or attachment to do a job for which it is not recommended. For example, do not use a circular saw to cut tree limbs or logs. Do not alter a tool.
24. **UNPLUG TOOL** when it is not in use, before changing accessories or performing recommended maintenance.
25. **STORE IDLE TOOLS.** When not in use, store your tool in a dry, secured place. Keep out of reach of children.
26. **NEVER LEAVE THE TOOL RUNNING UNATTENDED.** Turn power off. Do not leave the tool until it comes to a complete stop.
27. **CHECK FOR DAMAGED PARTS.** Inspect guards and other parts before use. Check for misalignment, binding of moving parts, improper mounting, broken parts and any other conditions that may affect operation. If abnormal noise or vibration occurs, turn the tool off immediately and have the problem corrected before further use. Do not use a damaged tool. Tag damaged tools "DO NOT USE" until repaired. A guard or other damaged part should be properly repaired or replaced by a *MILWAUKEE* service facility. For all repairs, insist on only identical replacement parts.

28. **USE PROPER ACCESSORIES.** Consult this manual for recommended accessories. Using improper accessories may be hazardous. Be sure accessories are properly installed and maintained. Do not defeat a guard or other safety device when installing an accessory or attachment.
29. **MAINTAIN TOOLS CAREFULLY.** Keep handles dry, clean and free from oil and grease. Keep cutting edges sharp and clean. Follow instructions for lubricating and changing accessories. Periodically inspect tool cords and extension cords for damage. Have damaged parts repaired or replaced by a *MILWAUKEE* service facility.
30. **MAINTAIN LABELS & NAMEPLATES.** These carry important information. If unreadable or missing, contact a *MILWAUKEE* service facility for a free replacement.

## SERVICE



31. **TOOL SERVICE MUST BE PERFORMED ONLY BY QUALIFIED REPAIR PERSONNEL.** Service or maintenance performed by unqualified personnel may result in a risk of injury.
32. **WHEN SERVICING A TOOL, USE ONLY IDENTICAL REPLACEMENT PARTS. FOLLOW INSTRUCTIONS IN THE MAINTENANCE SECTION OF THIS MANUAL.** Use of unauthorized parts or failure to follow maintenance instructions may create a risk of shock or injury.

## SPECIFIC SAFETY RULES — BENCH GRINDERS

1. **Hold tool by insulated gripping surfaces when performing an operation where the cutting tool may contact hidden wiring or its own cord.** Contact with a “live” wire will make exposed metal parts of tool “live” and shock the operator.
2. **Maintain labels and nameplates.** These carry important information. If unreadable or missing, contact a *MILWAUKEE* service facility for a free replacement.
3. **ALWAYS USE PROPER GUARDS AND EYE SHIELDS WITH GRINDING, BUFFING AND WIRE WHEELS.** Keep guards in place and in working order. A guard protects the operator from broken wheel fragments.
4. **ACCESSORIES MUST BE RATED FOR AT LEAST THE SPEED ON THE TOOL NAMEPLATE.** Wheels and other accessories running over rated speed can fly apart and cause injury.
5. **REPLACE CRACKED WHEELS IMMEDIATELY.**
6. **DO NOT OVER TIGHTEN WHEEL NUT.**
7. **USE ONLY FLANGES FURNISHED WITH THE GRINDER.**
8. **ADJUST DISTANCE BETWEEN THE WHEEL AND THE WORK REST TO MAINTAIN 1/8” OR LESS OF SEPERATION AS THE DIAMETER OF THE WHEEL DECREASES WITH USE.**
9. **FREQUENTLY CLEAN GRINDING DUST FROM BENEATH THE GRINDER.**
10. **WARNING!** Some dust created by power sanding, sawing, grinding, drilling, and other construction activities contains chemicals known to cause cancer, birth defects or other reproductive harm. Some examples of these chemicals are:
  - lead from lead-based paint
  - crystalline silica from bricks and cement and other masonry products, and
  - arsenic and chromium from chemically-treated lumber.

Your risk from these exposures varies, depending on how often you do this type of work. To reduce your exposure to these chemicals: work in a well ventilated area, and work with approved safety equipment, such as those dust masks that are specifically designed to filter out microscopic particles.

### SYMBOLOLOGY

	Canadian Standards Association
	Underwriters Laboratories, Inc.

### SPECIFICATIONS

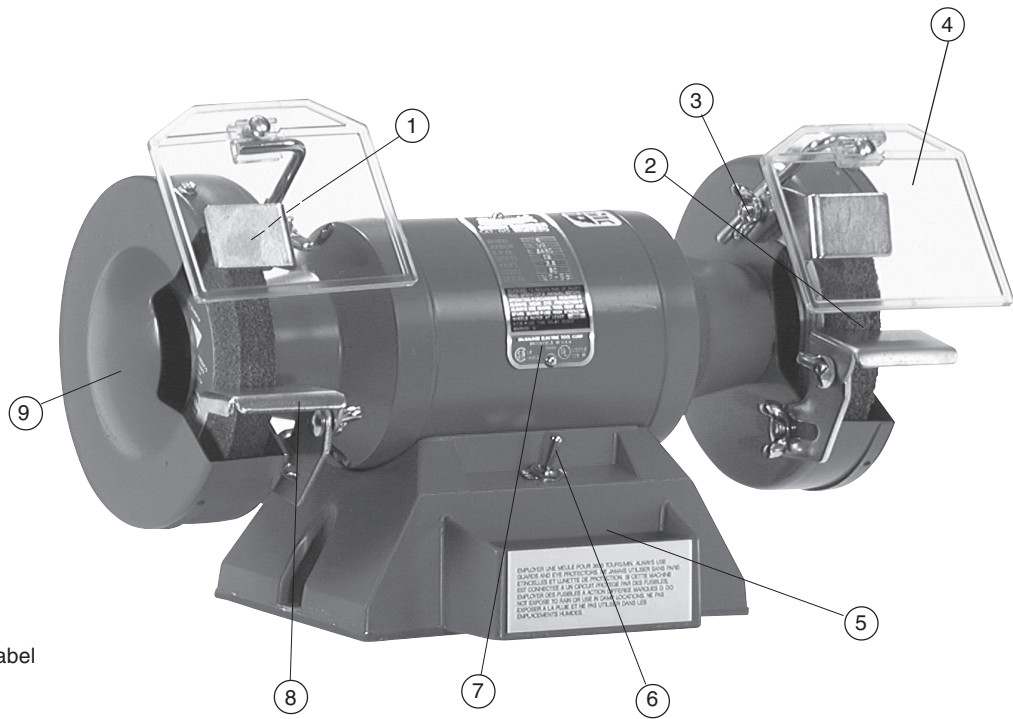
Catalog Number	Volts AC ONLY	Amps	Phase	Speed RPM	Wheel Size	Hole Dia.	Space Between Wheels	NEMA Rated H.P.
4931*	115	3.8	1	3450	6"	1/2"	12-1/2"	1/3
4935**	115	3.8	1	3450	6"	1/2"	12-1/2"	
4991*	115	4.0	1	3450	7"	5/8"	15-1/8"	1/2
4995**	115	4.0	1	3450	7"	5/8"	15-1/8"	
5051*	115	4.4	1	3450	8"	3/4"	15-5/8"	3/4
5091*	115/230	8.5/4.2	1	1725	10"	3/4"	17-3/8"	1

NOTE: H.P. is NEMA rated

\* With Illuminated Eye Shields

\*\* With Plexiglass Eye Shields

### FUNCTIONAL DESCRIPTION



1. Spark guard
2. Grinding wheel
3. Eye shield clamp
4. Eye shield
5. Cooling tray
6. On/Off switch
7. Nameplate/Warning label
8. Tool rest
9. Wheel guard end cover

## GROUNDING



### WARNING!

Improperly connecting the grounding wire can result in the risk of electric shock. Check with a qualified electrician if you are in doubt as to whether the outlet is properly grounded. Do not modify the plug provided with the tool. Never remove the grounding prong with the plug. Do not use the tool if the cord or plug is damaged. If damaged, have it repaired by a **MILWAUKEE** service facility before use. If the plug will not fit the outlet, have a proper outlet installed by a qualified electrician.

### Grounded Tools:

#### Tools with Three Prong Plugs

Tools marked "Grounding Required" have a three wire cord and three prong grounding plug. The plug must be connected to a properly grounded outlet (See Figure A and B). If the tool should electrically malfunction or break down, grounding provides a low resistance path to carry electricity away from the user, reducing the risk of electric shock.

The grounding prong in the plug is connected through the green wire inside the cord to the grounding system in the tool. The green wire in the cord must be the only wire connected to the tool's grounding system and must never be attached to an electrically "live" terminal.

Your tool must be plugged into an appropriate outlet, properly installed and grounded in accordance with all codes and ordinances. If the plug and outlet look like those in Figure A, your tool is rated for use on less than 150 volts. If your plug and outlet look like those in Figure B, your tool is rated for use on 150 to 250 volts. Temporary adapters are not available for this type of plug.

Figure C illustrates a temporary adapter available for connecting grounded plugs (Figure A) to two prong outlets. The green rigid ear or lug extending from the adapter must be connected to a permanent ground such as a properly grounded outlet box or receptacle. Simply remove the center screw from the outlet, insert the adapter and reattach the screw through the green grounding ear to the outlet. If in doubt of proper grounding, call a qualified electrician. A temporary adapter should only be used until a properly grounded outlet can be installed by a qualified electrician. The Canadian Electrical Code prohibits the use of temporary adapters.

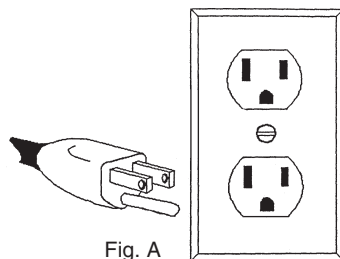


Fig. A

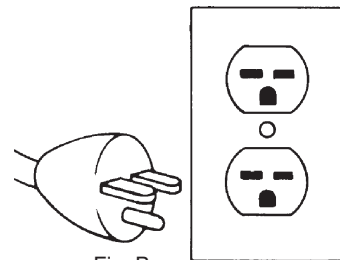


Fig. B

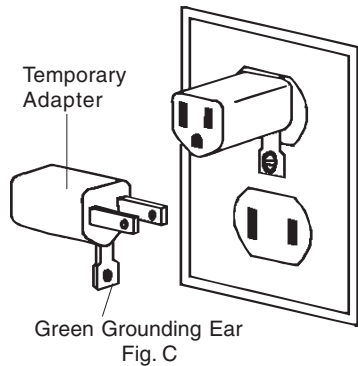


Fig. C

## EXTENSION CORDS

Grounded tools require a three wire extension cord. Double insulated tools can use either a two or three wire extension cord. As the distance from the supply outlet increases, you must use a heavier gauge extension cord. Using extension cords with inadequately sized wire causes a serious drop in voltage, resulting in loss of power and possible tool damage. Refer to the table at right to determine the required minimum wire size.

The smaller the gauge number of the wire, the greater the capacity of the cord. For example, a 14 gauge cord can carry a higher current than a 16 gauge cord. When using more than one extension cord to make up the total length, be sure each cord contains at least the minimum wire size required. If you are using one extension cord for more than one tool, add the nameplate amperes and use the sum to determine the required minimum wire size.

### Guidelines for Using Extension Cords

- If you are using an extension cord outdoors, be sure it is marked with the suffix "W-A" ("W" in Canada) to indicate that it is acceptable for outdoor use.
- Be sure your extension cord is properly wired and in good electrical condition. Always replace a damaged extension cord or have it repaired by a qualified person before using it.
- Protect your extension cords from sharp objects, excessive heat and damp or wet areas.

### Recommended Minimum Wire Gauge for Extension Cords\*

Nameplate Amperes	Extension Cord Length					
	25'	50'	75'	100'	150'	200'
0 - 5	16	16	16	14	12	12
5.1 - 8	16	16	14	12	10	--
8.1 - 12	14	14	12	10	--	--
12.1 - 15	12	12	10	10	--	--
15.1 - 20	10	10	10	--	--	--

\* Based on limiting the line voltage drop to five volts at 150% of the rated amperes.

## TOOL ASSEMBLY



### WARNING!

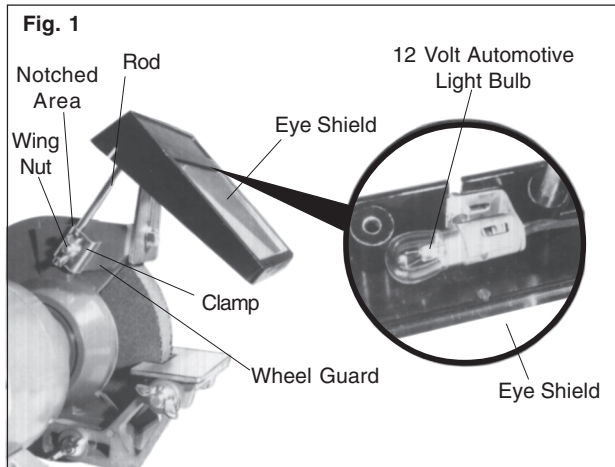
To reduce the risk of personal injury and damage to the tool, use **ONLY** accessories rated at or above the RPM listed on the tool's nameplate.

1. Examine a new unit carefully for signs of shipping damage (wheels, guards etc.). Make sure all parts are tight but do not overtighten wheel nut. See "Mounting Wheels", Fig. 3.
2. Do not operate grinder unless it is securely bolted in place. Two mounting holes are provided in the base of the grinder.
3. Inspect wheel for flaws or cracks and replace a damaged wheel immediately. Use only wheels with a safe speed rating at least as high as the no load speed of the grinder and follow the instructions in Fig. 2.
4. It is possible for a wheel to have concealed flaws. To prevent injury or damage, stand clear of wheel on start up and allow to run for one minute. If vibration and/or noise are present, dress the wheel as instructed in Fig. 5. If the vibration or noise continues, investigate cause and correct before using.

### Plexiglass Eye Shields (Fig. 1)

(Standard Equipment for Cat. Nos. 4935 and 4995)

Two separate eye shields (one for each wheel) are supplied and must be used when operating the grinder.



### Illuminated Eye Shields (Fig. 1)

(Standard Equipment for Cat. Nos. 4931, 4991, 5051 and 5091)

Illuminated eye shields are furnished with a 12 volt automotive bulb to light both sides and the face of the grinding wheel. The light socket and bulb are held in place, under each eye shield, by a bolt and a nut that passes through a slot in the rear edge of the eye shield, to clamp the socket assembly in place. Two separate eye shields (one for each wheel) are supplied and must be used when operating the grinder.

### Installing Eye Shields

The clamping assemblies for the eye shields are factory installed.

1. To install the eye shields, loosen the wing nut.
2. Insert the rod portion of the shield assembly between the wheel guard and the notched area of the clamp.
3. Adjust the eye shield assembly to the proper height. Tighten the wing nut.

### 1H.P. Grinder (Cat. No. 5091)

It is recommended that a No. 14 wire, fused with a 15 amp time lag fuse, be used to supply power to all 1H.P. grinders, regardless of their electric rating. This hook up should be independent of other electrical equipment.

The **MILWAUKEE** 1H.P. Bench Grinder is dual voltage rated at 115/230 Volts. The grinder is factory wired for 115 Volts. The voltage may be changed to 230 Volts, by rewiring the motor connections.

The rewiring should be performed by a qualified electrician or Authorized **MILWAUKEE** Service Station Personnel.

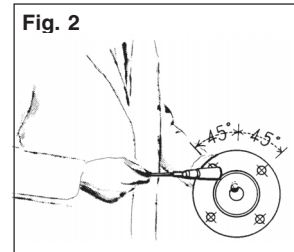
The wiring diagrams and connections are inside the baseplate of the grinder. Unplug the grinder before removing the baseplate. When changing to 230 volts, the cord set must be wired directly to the power source or wired with a proper 230 volt attachment cord set.

### Grinding Wheels

When selecting abrasive wheels, only high quality aluminum oxide or silicon carbide wheels should be used. Aluminum oxide, although not as hard as silicon carbide, is tougher and more resistant to breakage.

Coarse wheels (36 grains of grit per inch) are recommended for rough grinding. Medium grit wheels (60 grit) are excellent for the jobs such as smoothing welds or preparing surfaces for finishing. Fine grit wheels (80 grit) are for sharpening or fine finishing.

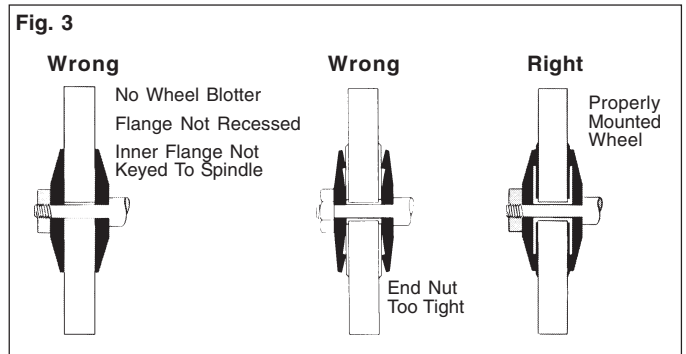
### Inspecting Grinding Wheels (Fig. 2)



Test wheels before mounting by tapping it lightly with a nonmetallic tool such as the handle of a screwdriver. If it rings, it is in good condition. If it does not, discard the wheel. Wheel must be dry when applying this test or the sound will be deadened. Tap wheels about 45° on either side of the vertical center line and about 1 or 2 inches from the outside edge as indicated in Fig. 2. Rotate the wheel 45° and repeat the test.

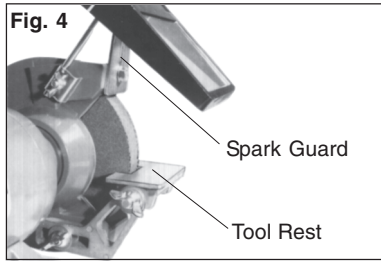
**NOTE:** Organic bonded wheels do not emit the same clear metallic ring as verified and silicated wheels.

### Mounting Wheels (Fig. 3)



1. Unplug tool.
2. To mount the grinding wheels, remove the wheel guard covers from the guards. Remove the hex nuts - the threads on the spindle are such that the nut tightens as the wheel rotates when the tool is in operation.
3. Check to be sure that blotters are undamaged and in place.
4. Slide the grinding wheels on to the spindle so that the blotter rests firmly against the inner wheel flange.
5. Replace the outer wheel flange and nut. Make sure the cupped portion of the outer flange is resting on the wheel (See Fig. 3).
6. Tighten the end nuts only enough to hold the wheel firmly. Too much pressure may damage the wheel or related parts.
7. After the wheel has been mounted, stand aside and run the wheel for at least one minute before grinding. **NOTE:** Never stand in direct line of the wheel.

## Tool Rests and Spark Guards (Fig. 4)



The tool rests and spark guards are adjustable and should be reset whenever a wheel has been replaced, after dressing or as a wheel becomes worn. The tool rest should be positioned close to the wheel at all times to provide maximum support. The distance from the wheel should not exceed 1/8". A level tool rest, set slightly below the center of the wheel, is the most practical and safest position.

The spark guards are located at the top of each wheel and should be adjusted for wheel wear so that the guard is approximately 3/16" from the wheel. This will prevent sparks from striking the operator.

### OPERATION



#### WARNING!

To reduce the risk of personal injury, always use safety glasses. Every day eye glasses only have impact resistant lenses. They are NOT safety glasses.

Too much pressure applied to a cold wheel is a common cause of wheel failure and must be avoided. Work should never be forced against a cold wheel but applied gradually, giving the wheel an opportunity to warm and minimize the chance of breakage. This applies to starting work on used wheels as well as to new wheels which have been stored in a cool place. Do not grind on a wheel while it is coasting to a stop or before it has reached full speed.

For best results, always keep grinding wheels properly dressed and in good balance. The use of well balanced wheels will add to the life of the bearings of the grinder by eliminating the most common cause of vibration and permits more accurate work. (See "Dressing Grinding Wheels", Fig. 5.)

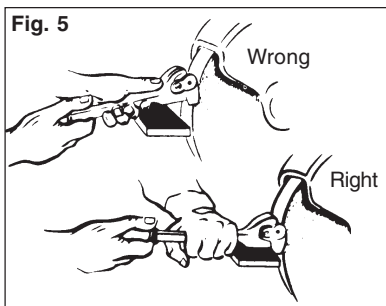
When making heavy cuts, use the face, not the sides of the cutting wheel. Grinding on the flat sides of a straight wheel is hazardous and should not be attempted. Special abrasive disc wheels should be used when it is necessary to grind on the flat side of straight wheels. The discs are designed to be mounted with one flat side against a suitable steel machine plate to safely withstand the side pressure.



#### WARNING!

To reduce the risk of personal injury and damage to the tool, use ONLY accessories rated at or above the RPM listed on the tool's nameplate.

## Dressing Grinding Wheels (Fig. 5)



Grinding wheels should be dressed when worn, out of round or the surface face is clogged or worn smooth. New wheels should be balanced by dressing to eliminate vibration. For dressing abrasive wheels, a diamond dresser is preferred. A more common disc-type dresser contains a replaceable set of star or gear-shaped pieces of hard metal. These discs rotate freely and rapidly when held in contact with the moving face of the wheel and dig in to remove the loading and small bits of dulled grain.

To dress wheels, adjust the tool rest away from the wheel so the heel of the dresser hooks over the rest and is guided by it as the dresser is moved evenly across the wheel face. Dressing should start at the highest surface of the wheel face. If vibration is still evident after dressing, loosen the wheel, rotate 90° and tighten. Repeat the dressing procedure.

## For Wire Wheel Brush Application



#### WARNING!

Unplug tool before removing or attaching accessories. Maximum Safe Operating Speed of wire brush or grinding wheel must be greater than no load RPM of tool. Guards must be used with grinding wheels and wire wheels. Only use specifically recommended accessories. Others may be hazardous.

## Installing Wire Wheel Brushes

1. Unplug tool.
2. To mount the wire wheels, remove the wheel guard covers from the guards. Remove the hex nuts - the threads on the spindle are such that the nut tightens as the wheel rotates when the tool is in operation.
3. Slide the wire wheel on to the spindle so that the wheel rests firmly against the flange.
4. Replace the outer wheel flange and nut. Make sure the cupped portion of the outer flange is resting on the wheel (See Fig. 3).
5. Tighten the end nuts only enough to hold the wheel firmly. Too much pressure may damage the wheel or related parts.

## Using Wire Wheel Brushes



#### WARNING!

Never exceed Maximum Safe Operating Speed of brush. Do not use a damaged brush or one which is functioning improperly (throwing wires, out-of-balance, etc.). These conditions increase the possibility of further brush failure and possible injury. Discard and replace damaged brushes immediately.

Wire brushes are useful for removing rust, scale, burrs, weld sag, etc. A wide variety of wire brushes are available for many applications.

Test wire brush for balance and loose or damaged wires by running tool at no load speed for at least 30 seconds before applying it to your work. During this time, no one should stand in front of or in line with the tool. When applying brush to work, avoid using too much pressure. This causes over-bending of wires and heat buildup resulting in premature wire breakage, rapid dulling and reduced brush life. Instead of using more pressure, use a wire brush with more aggressive cutting action (increased wire size, decreased wire length or different brush type, i.e. knot type instead of crimped wire type).



#### WARNING!

Because the wires on wire wheel brushes are directed towards the operator, a guard must be used to protect the operator when fatigued wires break.



## MAINTENANCE



### WARNING!

To reduce the risk of injury, always unplug your tool before performing any maintenance. Never disassemble the tool or try to do any rewiring on the tool's electrical system. Contact a *MILWAUKEE* service facility for ALL repairs.

### Maintaining Tools

Keep your tool in good repair by adopting a regular maintenance program. Before use, examine the general condition of your tool. Inspect guards, switches, tool cord set and extension cord for damage. Check for loose screws, misalignment, binding of moving parts, improper mounting, broken parts and any other condition that may affect its safe operation. If abnormal noise or vibration occurs, turn the tool off immediately and have the problem corrected before further use. Do not use a damaged tool. Tag damaged tools "DO NOT USE" until repaired (see "Repairs").



### WARNING!

To reduce the risk of injury, electric shock and damage to the tool, never immerse your tool in liquid or allow liquid to flow inside the tool.

### Repairs

If your tool is damaged, return the entire tool to the nearest service center listed on the back cover of this operator's manual.



### WARNING!

To reduce the risk of injury, use only identical replacement parts.

## FIVE YEAR TOOL LIMITED WARRANTY

Every *MILWAUKEE* tool is tested before leaving the factory and is warranted to be free from defects in material and workmanship. *MILWAUKEE* will repair or replace (at *MILWAUKEE*'s discretion), without charge, any tool (including battery chargers) which examination proves to be defective in material or workmanship from five (5) years after the date of purchase. Return the tool and a copy of the purchase receipt or other proof of purchase to a *MILWAUKEE* Factory Service/Sales Support Branch location or *MILWAUKEE* Authorized Service Station, freight pre-paid and insured. This warranty does not cover damage from repairs made or attempted by other than *MILWAUKEE* authorized personnel, abuse, normal wear and tear, lack of maintenance, or accidents.

Battery Packs, Flashlights, and Radios are warranted for one (1) year from the date of purchase.

THE REPAIR AND REPLACEMENT REMEDIES DESCRIBED HEREIN ARE EXCLUSIVE. IN NO EVENT SHALL *MILWAUKEE* BE LIABLE FOR ANY INCIDENTAL, SPECIAL, OR CONSEQUENTIAL DAMAGES, INCLUDING LOSS OF PROFITS.

THIS WARRANTY IS EXCLUSIVE AND IN LIEU OF ALL OTHER WARRANTIES, OR CONDITIONS, WRITTEN OR ORAL, EXPRESSED OR IMPLIED FOR MERCHANTABILITY OR FITNESS FOR PARTICULAR USE OR PURPOSE.

This warranty gives you specific legal rights. You may also have other rights that vary from state to state and province to province. In those states that do not allow the exclusion of implied warranties or limitation of incidental or consequential damages, the above limitations or exclusions may not apply to you. This warranty applies to the United States, Canada, and Mexico only.

## ACCESSORIES



### WARNING!

Unplug tool before removing or attaching accessories. Maximum Safe Operating Speed of wire brush and grinding wheel must be greater than no load RPM of tool. Guards must be used with grinding wheels and wire wheels. Only use specifically recommended accessories. Others may be hazardous.

For a complete listing of accessories refer to your *MILWAUKEE* Electric Tool catalog or go on-line to [www.mil-electric-tool.com](http://www.mil-electric-tool.com). To obtain a catalog, contact your local distributor or a service center listed on the back cover of this operator's manual.

### Wheels For Bench Grinders

**NOTE:** The maximum safe operating speed shown on the grinding and wire wheels must be greater than the load speed of the tool.

### Grinding Wheels

Grinding Wheels are available in 36, 60, and 80 vitrified grit for all types of grinding.

### Knot Wire Wheels

Use Knot Wire Wheels for removing rust, scales and file marks.

### Brushes

Brushes are made of select steel wire and have a face width of 3/4".

### Cloth Buffing Wheels

Use Cloth Buffing Wheels for buffing metal surfaces. These wheels are made of multiple layers of select buffing cloth sewed securely together and can be coated with glue and dipped in emery grit for finish grinding or rough polishing.

### Plexiglass Lens

Replacement lens for all light eye shield models and Catalog No. 4995. Supplied individually.

### Plexiglass Eye Shield (Pair)

Furnished as standard equipment on Catalog No. 4935. Easily replaced when pitted. Supplied as a pair.

### Grinder Pedestal

Heavy grey iron casting with tubular steel column. Removable water pot. Adaptable to all models.



## RÈGLES DE SÉCURITÉ GÉNÉRALES



### AVERTISSEMENT!

#### **VOUS DEVEZ LIRE ET COMPRENDRE TOUTES LES INSTRUCTIONS.**

Le non-respect, même partiel, des instructions ci-après entraîne un risque de choc électrique, d'incendie et/ou de blessures graves.


#### **CONSERVEZ CES INSTRUCTIONS**

**LISEZ TOUTES LES INSTRUCTIONS ET CONSERVEZ-LES POUR Y RÉFÉRER AU BESOIN.** Assurez-vous que l'utilisateur de cet outil prenne connaissance de ce manuel d'instructions et des étiquettes accompagnant l'outil ou apposées sur celui-ci.

### AIRE DE TRAVAIL

1. **CONSERVEZ VOTRE LIEU DE TRAVAIL PROPRE ET BIEN ÉCLAIRÉ.** Les endroits sombres et encombrés sont propices aux accidents.
2. **ÉVITEZ LES MILIEUX DANGEREUX.** Ne vous servez pas de votre outil électrique sous la pluie ou dans les endroits mouillés ou humides, les atmosphères propices aux explosions (émanations de gaz, poussière ou substances inflammables). Faites disparaître les matériaux qui risquent d'être enflammés par les étincelles.
3. **ÉLOIGNEZ LES SPECTATEURS.** Les enfants et les spectateurs devraient être tenus à distance du lieu de travail, afin de ne pas déranger l'utilisateur et être à l'abri de tout contact avec l'outil et le cordon de rallonge.
4. **PROTÉGEZ CEUX QUI SE TROUVENT SUR LES LIEUX** des éclats et des étincelles. Installez des barrières ou des écrans protecteurs si nécessaire.
5. **FAITES DE VOTRE ATELIER UN LIEU SÉCURITAIRE POUR LES ENFANTS** en installant des cadenas, un interrupteur principal et en retirant les clés de démarrage.

### SÉCURITÉ ÉLECTRIQUE

6. **LES OUTILS MIS À LA TERRE DOIVENT ÊTRE BRANCHÉS DANS UNE PRISE DE COURANT CORRECTEMENT INSTALLÉE ET MISE À LA TERRE CONFORMÉMENT À TOUS LES CODES ET RÈGLEMENTS PERTINENTS. NE MODIFIEZ JAMAIS LA FICHE DE QUELQUE FAÇON QUE CE SOIT, PAR EXEMPLE EN ENLEVANT LA BROCHE DE MISE À LA TERRE. N'UTILISEZ PAS D'ADAPTEUR DE FICHE. SI VOUS N'ÊTES PAS CERTAIN QUE LA PRISE DE COURANT EST CORRECTEMENT MISE À LA TERRE, ADRESSEZ-VOUS À UN ÉLECTRICIEN QUALIFIÉ.** En cas de défaillance ou de défectuosité électrique de l'outil, une mise à la terre offre un trajet de faible résistance à l'électricité qui autrement risquerait de traverser l'utilisateur.
7. **LES OUTILS À DOUBLE ISOLATION SONT ÉQUIPÉS D'UNE FICHE POLARISÉE (UNE DES LAMES EST PLUS LARGE QUE L'AUTRE), QUI NE PEUT SE BRANCHER QUE D'UNE SEULE FAÇON DANS UNE PRISE POLARISÉE. SI LA FICHE N'ENTRE PAS PARFAITEMENT DANS LA PRISE, INVERSEZ SA POSITION; SI ELLE N'ENTRE TOUJOURS PAS BIEN, DEMANDEZ À UN ÉLECTRICIEN QUALIFIÉ D'INSTALLER UNE PRISE DE COURANT POLARISÉE. NE MODIFIEZ PAS LA FICHE DE L'OUTIL.** La double isolation élimine  le besoin d'un cordon d'alimentation à trois fils avec mise à la terre ainsi que d'une prise de courant mise à la terre.
8. **PROTÉGEZ-VOUS DES CHOC ÉLECTRIQUES.** Évitez tout contact avec les surfaces mises à la terre tels les radiateurs, cuisinières et réfrigérateurs. Lorsque vous enfoncez l'outil à l'aveuglette au travers d'un matériau assurez-vous d'abord qu'il n'y pas de câbles électriques ou de tuyaux. Tenez l'outil par ses parties isolées non métalliques. Employez un coupe-circuit relié à la masse (GFCI) pour réduire les risques de choc.
9. **N'EXPOSEZ PAS L'OUTIL AUX INTEMPÉRIES ET NE VOUS EN SERVEZ PAS DANS LES ENDROITS HUMIDES.**
10. **NE MALTRAITEZ PAS LE CORDON. NE TRANSPORTEZ PAS L'OUTIL PAR SON CORDON ET NE DÉBRANCHEZ PAS LA FICHE EN TIRANT SUR LE CORDON. N'EXPOSEZ PAS LE CORDON À LA**

**CHALEUR, À DES HUILES, À DES ARÊTES VIVES OU À DES PIÈCES EN MOUVEMENT. REMPLACEZ IMMÉDIATEMENT UN CORDON ENDOMMAGÉ.** Un cordon endommagé augmente le risque de choc électrique.

### SÉCURITÉ DES PERSONNES

11. **FAMILIARISEZ-VOUS AVEC VOTRE OUTIL ÉLECTRIQUE.** Lisez attentivement ce manuel pour apprendre les applications, limitations et risques inhérent au maniement de ce genre d'outil.
12. **RESTEZ ALERTE, CONCENTREZ-VOUS SUR VOTRE TRAVAIL ET FAITES PREUVE DE JUGEMENT. N'UTILISEZ PAS UN OUTIL ÉLECTRIQUE SI VOUS ÊTES FATIGUÉ OU SOUS L'INFLUENCE DE DROGUES, D'ALCOOL OU DE MÉDICAMENTS.** Un instant d'inattention suffit pour entraîner des blessures graves.
13. **HABILLEZ-VOUS CORRECTEMENT.** Ne portez ni vêtements amples ni bijoux. Portez un casque protecteur pour contenir les longs cheveux et les empêcher de se prendre dans les pièces en mouvement. Si vous travaillez à l'extérieur, portez des gants de caoutchouc et des chaussures à semelles antidérapantes. Tenez vos mains ou vos gants à l'écart des pièces en mouvement.
14. **RÉDUISEZ LES RISQUES DE DÉMARRAGE ACCIDENTEL.** Assurez-vous que votre outil est à la position d'arrêt « OFF » avant de le brancher. N'utilisez pas un outil dont l'interrupteur ne fonctionne pas normalement. Ne transportez pas un outil branché en gardant les doigts sur la détente.
15. **RETIREZ LES CLÉS DE RÉGLAGE.** Prenez l'habitude de vérifier si les clés de réglage et autres outils sont retirés de l'outil avant de le mettre en marche.
16. **NE DÉPASSEZ PAS LES LIMITES, CONTRÔLEZ L'OUTIL.** Gardez les pieds bien en place et assurez votre équilibre. Tenez l'outil fermement. Soyez très prudent si vous utilisez l'outil dans une échelle, sur un toit, un échafaud, etc.
17. **EMPLOYEZ DE L'ÉQUIPEMENT DE SÉCURITÉ.** Toutes les personnes présentes dans l'aire de travail devraient porter des lunettes de protection ou à coques latérales conformes aux normes de sécurité en vigueur. Les lunettes ordinaires peuvent être pourvues de verres résistants, mais elles ne sont pas sécuritaires. Portez des protecteurs d'oreilles pour les tâches prolongées et un masque facial contre la poussière. Un casque rigide, un masque facial, des chaussures de sécurité, etc. devraient être utilisés lorsque la situation l'exige. Gardez un extincteur d'incendie à portée de la main.
18. **MAINTENEZ LES GARDES EN PLACE** et en bon état.
19. **NE VOUS APPUYEZ JAMAIS SUR L'OUTIL.** De graves blessures pourraient résulter du renversement de l'outil ou de son démarrage accidentel.
20. **TENEZ LES MAINS À L'ÉCART DES ARÊTES TRANCHANTES ET DES PIÈCES EN MOUVEMENT.**

### UTILISATION ET ENTRETIEN DES OUTILS

21. **ASSUJETTISSEZ L'OUVRAGE.** Employez une fixation, pince-étau ou autre dispositif approprié pour maintenir solidement l'ouvrage et libérer vos deux mains pour le maniement de l'outil.

22. **NE FORCEZ PAS L'OUTIL.** Votre outil fournira un meilleur rendement si vous l'employez comme il doit l'être. Un usage excessif, en plus de fatiguer l'utilisateur, augmentera l'usure de l'outil et rendra son maniement plus difficile.
23. **EMPLOYEZ L'OUTIL APPROPRIÉ.** N'utilisez pas un outil ou un accessoire non approprié à la tâche. Par exemple, on ne doit pas employer une scie circulaire pour tailler un arbre ou scier des bûches. N'altérez pas l'outil.
24. **DÉBRANCHEZ L'OUTIL** lorsque vous ne vous en servez pas ou avant d'en changer les accessoires ou d'en effectuer l'entretien.
25. **RANGEZ LES OUTILS QUE VOUS N'UTILISEZ PAS** au sec dans un endroit sûr, hors de la portée des enfants.
26. **NE LAISSEZ JAMAIS L'OUTIL EN MARCHÉ SANS SURVEILLANCE.** Avant de vous en éloigner, coupez le courant et attendez qu'il soit complètement arrêté.
27. **DÉCELEZ LES PIÈCES DÉFECTUEUSES.** Avant de vous servir de l'outil, inspectez les gardes et les autres pièces. Vérifiez l'alignement et le jeu des pièces mobiles, les vices de montage, bris de pièces et toute autre condition pouvant nuire au bon fonctionnement de l'outil. Si un bruit ou une vibration insolite survient, arrêtez immédiatement l'outil et faites-le vérifier avant de vous en servir de nouveau. N'utilisez pas un outil défectueux. Fixez-y une étiquette marquée "HORS D'USAGE" jusqu'à ce qu'il soit réparé. Si une garde ou une autre pièce est défectueuse, elle devrait être réparée ou remplacée dans un centre de service *MILWAUKEE* accrédité. Insistez pour obtenir des pièces de rechange identiques.
28. **EMPLOYEZ LES ACCESSOIRES APPROPRIÉS.** Consultez ce manuel pour connaître quels accessoires utiliser. L'emploi d'accessoires autres que ceux qui sont recommandés peut comporter des risques. Assurez-vous que les accessoires sont correctement installés et entretenus. Ne dérangez pas un garde ou autre dispositif de sécurité lorsque vous installez un accessoire.
29. **PRENEZ SOIN DE L'OUTIL.** Gardez les poignées propres, sèches et exemptes d'huile ou de graisse. Maintenez les tranchants propres et vifs. Suivez les instructions de graissage et d'installation des accessoires. Inspectez périodiquement le cordon de l'outil et le cordon de rallonge. Faites réparer ou remplacer les pièces défectueuses à un centre de service *MILWAUKEE* accrédité.
30. **ENTRETENEZ LES ÉTIQUETTES ET MARQUES DU FABRICANT.** Les indications qu'elles contiennent sont précieuses. Si elles deviennent illisibles ou si elles se détachent, faites-les remplacer gratuitement à un centre de service *MILWAUKEE* accrédité.

## **RÉPARATION**



31. **LA RÉPARATION DES OUTILS ÉLECTRIQUES DOIT ÊTRE CONFÉE À UN RÉPARATEUR QUALIFIÉ.** L'entretien ou la réparation d'un outil électrique par un amateur peut avoir des conséquences graves.
32. **POUR LA RÉPARATION D'UN OUTIL, N'EMPLOYEZ QUE DES PIÈCES DE RECHANGE D'ORIGINE. SUIVEZ LES DIRECTIVES DONNÉES À LA SECTION «RÉPARATION» DE CE MANUEL.** L'emploi de pièces non autorisées ou le non-respect des instructions d'entretien peut créer un risque de choc électrique ou de blessures.

## **CONSIGNES DE SÉCURITÉ SPÉCIFIQUES - MEULEUSES D'ÉTABLI**

1. **Tenez l'outil par ses parties isolées lorsqu'il y a un risque de contact de l'outil avec des fils sous tension ou même, le cordon de l'outil.** Le contact d'une partie métallique de l'outil avec un fil sous tension comporte un risque de choc électrique.
2. **Entretenez les étiquettes et marques de fabricant.** Les indications qu'elles contiennent sont précieuses. Si elles deviennent illisibles ou se détachent, faites-les remplacer gratuitement à un centre de service *MILWAUKEE* accrédité.
3. **UTILISEZ TOUJOURS LES GARDES ET LES PARE-ÉCLATS APPROPRIÉS AVEC LES MEULES, DISQUES ET BROSSES À FILS D'ACIER.** Maintenez les gardes en place et en bon état. Un garde-meule protège l'utilisateur contre les éclats en cas de bris de meule.
4. **LES ACCESSOIRES DOIVENT ÊTRE DIMENSIONNÉS POUR LA VITESSE DE ROTATION INSCRITE SUR LA FICHE SIGNALÉTIQUE DE L'OUTIL.** Les meules et autres accessoires non conçus pour la vitesse de rotation de l'outil peuvent voler en éclat et causer des blessures.
5. **REMPLACEZ IMMÉDIATEMENT LES MEULES CRAQUELÉES.**
6. **NE SERREZ PAS INDUMENT L'ÉCROU DES MEULES.**
7. **EMPLOYEZ UNIQUEMENT LES BRIDES FOURNIES AVEC LA MEULEUSE.**
8. **MAINTENEZ L' APPUI DE MATÉRIAU À UN RÉGLAGE DE 1/8PO. OU MOINS DE LA MEULE POUR COMPRENDRE L'USURE DE LA MEULE.**
9. **ENLEVEZ FRÉQUEMMENT LA POUSSIÈRE DE MEULAGE ACCUMULÉE SOUS LA MEULEUSE.**
10. **AVERTISSEMENT!** La poussière dégagée par perçage, sclage, perçage et autres travaux de construction contient des substances chimiques reconnues comme pouvant causer le cancer, des malformations congénitales ou d'autres troubles de reproduction. Voici quelques exemples de telles substances :
  - Le plomb contenu dans la peinture au plomb.
  - Le silice cristallin contenu dans la brique, le béton et divers produits de maçonnerie.
  - L'arsenic et le chrome servant au traitement chimique du bois.

Les risques associés à l'exposition à ces substances varient, dépendant de la fréquence des travaux. Afin de minimiser l'exposition à ces substances chimiques, assurez-vous de travailler dans un endroit bien aéré et d'utiliser de l'équipement de sécurité tel un masque antipoussière spécifiquement conçu pour la filtration de particules microscopiques.

## PICTOGRAPHIE

	Association canadienne de normalisation (ACNOR)
	Underwriters' Laboratories, Inc. (UL)

## SPÉCIFICATIONS

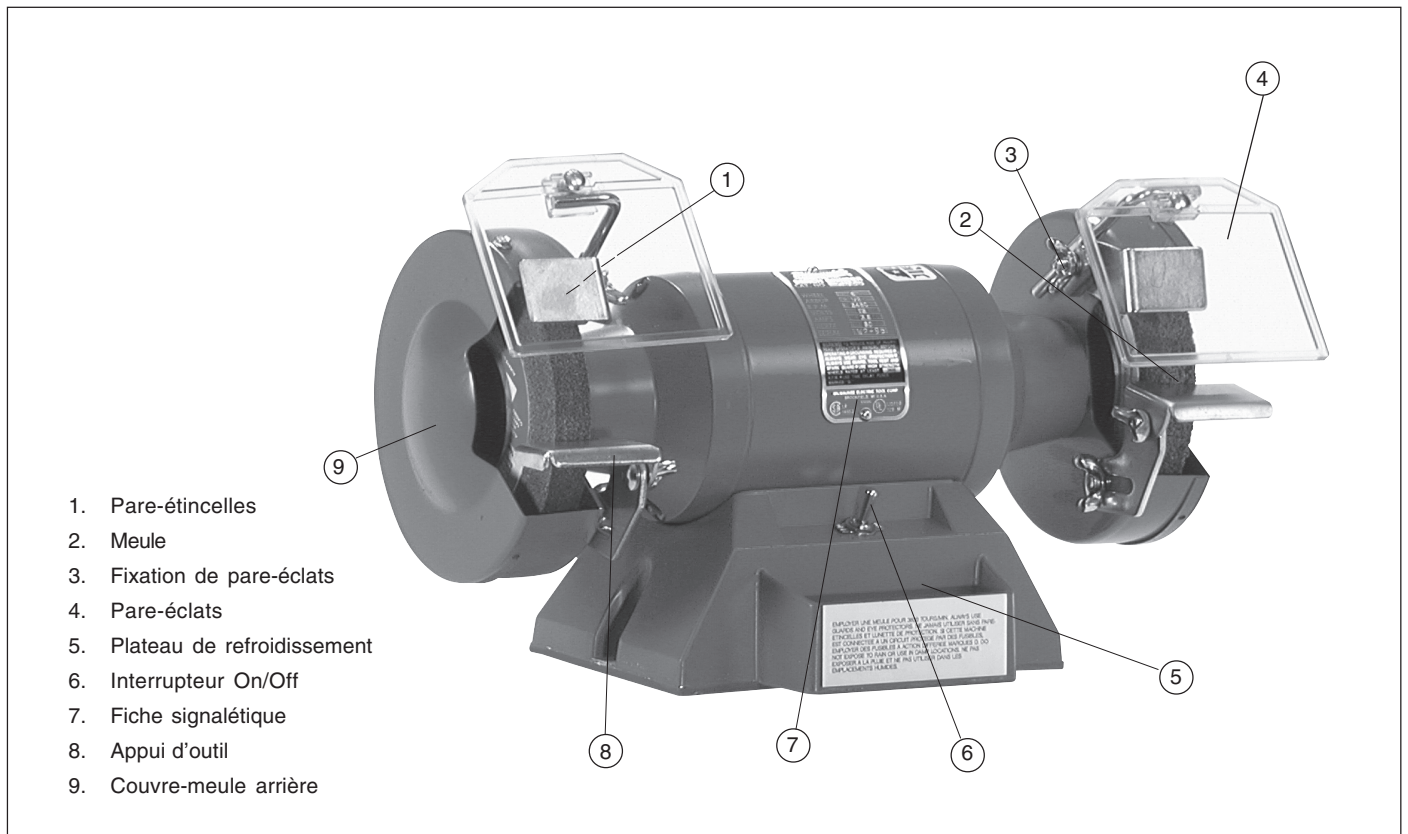
No de Cat.	Volts CA Seulement	Amp.	Phase	Rotation t-min.	Calibre de meule	Dia. moyeu	Espacement des meules	HP selon NEMA
4931*	115	3.8	1	3450	6"	1/2"	12-1/2"	1/3
4935**	115	3.8	1	3450	6"	1/2"	12-1/2"	
4991*	115	4.0	1	3450	7"	5/8"	15-1/8"	1/2
4995**	115	4.0	1	3450	7"	5/8"	15-1/8"	
5051*	115	4.0	1	3450	8"	3/4"	15-5/8"	3/4
5091*	115/230	8.5/4.2	1	1725	10"	3/4"	17-3/8"	1

N.B. HP selon la norme Nema

\* Avec pare-éclats éclairés

\*\* Avec pare-éclats en plexiglass

## DESCRIPTION FONCTIONNELLE



## MISE À LA TERRE



### AVERTISSEMENT!

Si le fil de mise à la terre est incorrectement raccordé, il peut en résulter des risques de choc électrique. Si vous n'êtes pas certain que la prise dont vous vous servez est correctement mise à la terre, faites-la vérifier par un électricien. N'altérez pas la fiche du cordon de l'outil. N'enlevez pas de la fiche, la dent qui sert à la mise à la terre. N'employez pas l'outil si le cordon ou la fiche sont en mauvais état. Si tel est le cas, faites-les réparer dans un centre de service MILWAUKEE accrédité avant de vous en servir. Si la fiche du cordon ne s'adapte pas à la prise, faites remplacer la prise par un électricien compétent.

### Outils mis à la terre: Outils pourvus d'une fiche de cordon à trois dents

Les outils marqués "Mise à la terre requise" sont pourvus d'un cordon à trois fils dont la fiche a trois dents. La fiche du cordon doit être branchée sur une prise correctement mise à la terre (Voir Fig. A et B). De cette façon, si une défectuosité dans le circuit électrique de l'outil survient, le relais à la terre fournira un conducteur à faible résistance pour décharger le courant et protéger l'utilisateur contre les risques de choc électrique.

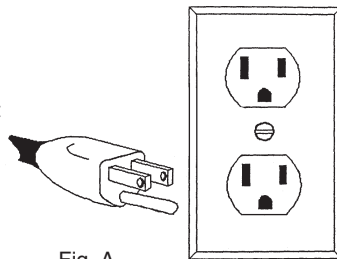


Fig. A

La dent de mise à la terre de la fiche est reliée au système de mise à la terre de l'outil via le fil vert du cordon. Le fil vert du cordon doit être le seul fil raccordé à un bout au système de mise à la terre de l'outil et son autre extrémité ne doit jamais être raccordée à une borne sous tension électrique.

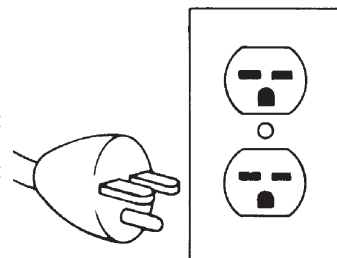
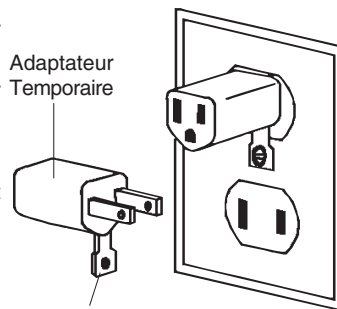


Fig. B

Votre outil doit être branché sur une prise appropriée, correctement installée et mise à la terre conformément aux codes et ordonnances en vigueur. Si la fiche et la prise ressemblent à celles de la Figure A, votre outil est dimensionné pour un courant inférieur à 150 volts. Par contre, si la fiche et la prise ressemblent à celles de la Fig. B, votre outil devra être branché sur une prise de courant de 150 à 250 volts. Aucun adaptateur de disponible pour ce genre de fiche.

La figure C illustre un adaptateur temporaire servant à brancher une fiche de mise à la terre (Fig. A) à une prise à deux bornes. Le crampon rigide dont est muni l'adaptateur doit être raccordé à une prise de terre permanente telle une prise de courant ou une boîte de prise de courant. Il suffit de dévisser la vis centrale du couvercle, de glisser le crampon de l'adaptateur sous la vis pour ensuite la visser à fond. En cas de doute, faites appel à un électricien compétent. Un adaptateur temporaire ne devrait pas être employé en permanence, mais seulement en attendant que la prise ait été correctement adaptée pour la mise à la terre par un électricien compétent. L'installation d'un adaptateur temporaire est prohibée par le Code canadien de l'électricité.



Adaptateur Temporaire  
Crampon vert de mise à la terre  
Fig. C

## CORDONS DE RALLONGE

Si l'emploi d'un cordon de rallonge est nécessaire, un cordon à trois fils doit être employé pour les outils mis à la terre. Pour les outils à double isolation, on peut employer indifféremment un cordon de rallonge à deux ou trois fils. Plus la longueur du cordon entre l'outil et la prise de courant est grande, plus le calibre du cordon doit être élevé. L'utilisation d'un cordon de rallonge incorrectement calibré entraîne une chute de voltage résultant en une perte de puissance qui risque de détériorer l'outil. Reportez-vous au tableau ci-contre pour déterminer le calibre minimum du cordon.

Moins le calibre du fil est élevé, plus sa conductivité est bonne. Par exemple, un cordon de calibre 14 a une meilleure conductivité qu'un cordon de calibre 16. Lorsque vous utilisez plus d'une rallonge pour couvrir la distance, assurez-vous que chaque cordon possède le calibre minimum requis. Si vous utilisez un seul cordon pour brancher plusieurs outils, additionnez le chiffre d'intensité (ampères) inscrit sur la fiche signalétique de chaque outil pour obtenir le calibre minimal requis pour le cordon.

### Directives pour l'emploi des cordons de rallonge

- Si vous utilisez une rallonge à l'extérieur, assurez-vous qu'elle est marquée des sigles "W-A" ("W" au Canada) indiquant qu'elle est adéquate pour usage extérieur.
- Assurez-vous que le cordon de rallonge est correctement câblé et en bonne condition. Remplacez tout cordon de rallonge détérioré ou faites-le remettre en état par une personne compétente avant de vous en servir.
- Tenez votre cordon de rallonge à l'écart des objets ranchants, des sources de grande chaleur et des endroits humides ou mouillés.

### Calibres minimaux recommandés pour les cordons de rallonge\*

Fiche signalétique Ampères	Longueur du cordon de rallonge					
	25'	50'	75'	100'	150'	200'
0 - 5	16	16	16	14	12	12
5,1 - 8	16	16	14	12	10	--
8,1 - 12	14	14	12	10	--	--
12,1 - 15	12	12	10	10	--	--
15,1 - 20	10	10	10	--	--	--

\*Basé sur sur une chute de voltage limite de 5 volts à 150% de l'intensité moyenne de courant.

## MANIEMENT



### AVERTISSEMENT!

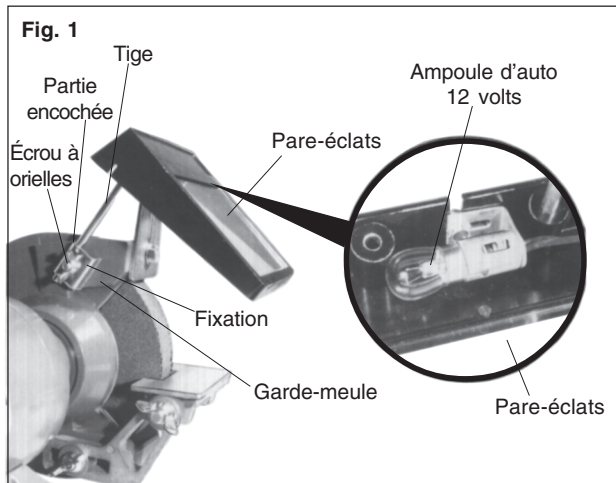
Pour minimiser le risque de blessures corporelles et dommage à l'outil, n'employez que des accessoires d'un calibre (t/min.) égal ou supérieur à celui qui est indiqué sur la fiche signalétique de l'outil.

1. Examinez soigneusement votre nouvel outil pour y déceler les dommages subis au cours de la livraison (meules, gardes, etc.). Assurez-vous que toutes les pièces sont bien ajustées, mais ne serrez pas l'écrou de meule trop fort. Suivez les instructions de montage des meules à la Fig. 3.
2. N'utilisez pas la meuleuse à moins qu'elle ne soit solidement boulonnée en place par les deux trous de montage de la base.
3. Examinez les meules pour y déceler les défauts ou craquelures et remplacez immédiatement toute meule endommagée. N'utilisez que les meules dont la vitesse sécuritaire de rotation est au moins aussi élevée que la vitesse de rotation à vide de la meuleuse et conformez-vous aux instructions de la Fig. 2.
4. Il peut arriver qu'une meule ait un défaut caché. Pour prévenir un accident causé par un défaut caché, écartez-vous de la meule, mettez l'outil en marche et laissez-le tourner à vide durant une minute. Si vous percevez une vibration ou un bruit anormaux, procédez au dressage de la meule selon les instructions de la Fig. 5. Si le bruit ou la vibration persistent, trouvez-en la cause et faites les corrections nécessaires avant d'utiliser de nouveau la meuleuse.

### Pare-éclats en plexiglass (Fig. 1)

(Équipement standard pour les modèles 4935 et 4995)

La meuleuse est pourvue de deux pare-éclats distincts, un pour chaque meule, et ils doivent être en place lorsque l'outil est employé.



### Pare-éclats éclairés (Fig. 1)

(Équipement standard pour les modèles 4931, 4991, 5051 et 5091)

Des pare-éclats éclairés avec une ampoule d'automobile de 12 volts pourvoient à l'éclairage des deux côtés et de la face de la meule. Douilles et ampoules sont maintenues en place sous chaque pare-éclats au moyen d'un boulon et d'un écrou à travers la rainure du rebord arrière du pare-éclats. Deux pare-éclats distincts, un pour chaque meule, sont fournis et doivent être employés lorsque la meuleuse est en marche.

### Installation des pare-éclats

Les fixations pour maintenir les pare-éclats en place sont installés en usine.

1. Pour installer les pare-éclats, dévissez l'écrou à oreilles.
2. Introduisez la tige du pare-éclats entre le garde-meule et la partie encochée de la fixation.

3. Ajustez les pare-éclats à la hauteur appropriée et serrez l'écrou à oreilles.

### Meuleuse 1HP (No de cat. 5091)

Il est recommandé d'utiliser un câble électrique de calibre 14 et un fusible à action retardée de 15 ampères pour alimenter le moteur d'une meuleuse 1HP, peu importe son voltage nominal. Ce branchement devrait être distinct de l'alimentation des autres appareils électriques.

La meuleuse d'établi 1HP de MILWAUKEE est alimentée à bi-puissance de 115/230 volts. Elle est câblée en usine pour une puissance de 115 volts, mais le câblage du moteur peut être transformé pour s'adapter à une puissance de 230 volts.

Le câblage du moteur doit être fait par un électricien compétent ou par un technicien d'un centre de service MILWAUKEE accrédité.

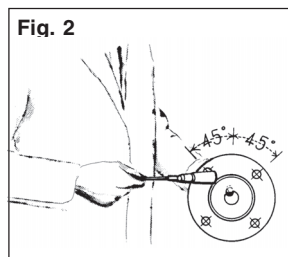
Le schéma de montage ou couplage est placé à l'intérieur de la plaque d'appui de la meuleuse. Lorsqu'on effectue la transformation vers la puissance de 230 volts, le cordon doit être correctement calibré et relié directement à la source d'alimentation, sinon, il doit être pourvu d'une fiche appropriée pour être branché sur une prise de 230 volts.

### Meules

Seules les meules de haute qualité, oxyde d'aluminium (corindon) ou carbure de silicium devraient être employées. Le corindon, quoique moins dur que le carbure de silicium, est plus robuste et plus résistant.

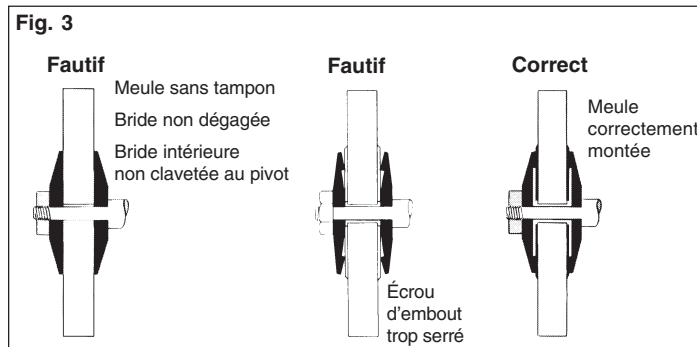
Les meules à gros grain (36 grains/po.) sont recommandées pour le meulage grossier. Les meules à grain moyen (60 grains/po.) conviennent à des ouvrages comme l'adoucissement des soudures ou la préparation des surfaces à finir. Les meules à grain fin (80 grains/po.) servent à l'aiguisage et à la finition.

### Inspection des meules (Fig. 2)



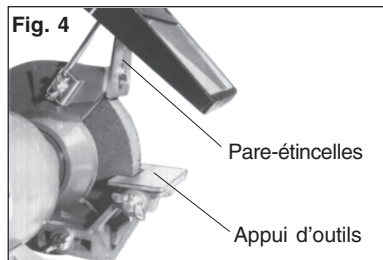
Avant d'installer les meules, vérifiez leur état en tapant légèrement sur les parois avec un outil non métallique, le manche d'un tournevis par exemple. S'il y a résonance, c'est signe que la meule est en bon état. Si la meule ne résonne pas et semble fêlée ou silencieuse, jetez-la. Les meules doivent être sèches pour que le test réussisse car autrement, la résonance sera assourdie. Tapez la meule à un angle d'environ 45° de l'une des parois verticales à environ un ou deux pouces du rebord comme l'indiquent les points marqués dans la Fig. 2. Répétez le test en faisant tourner la meule de 45°. **N.B.** Les meules de composition organique ne rendent pas le même son métallique clair que les meules de silicate et de céramique.

### Montage des meules (Fig. 3)



1. Débranchez l'outil.
2. Pour installer les meules, enlevez les couvre-meules des garde-meules et dévissez les écrous Hex. Le filetage du pivot est conçu pour que les écrous se resserrent lorsque la meule tourne quand la meuleuse est en marche.

- Vérifiez si les tampons sont intacts et bien en place.
- Glissez la meule sur le pivot pour que le tampon appuie fermement contre la bride intérieure.
- Remettez la bride extérieure et l'écrou en place. Assurez-vous que le côté en cuvette de la bride est appuyé contre la meule (Voir Fig. 3).
- Serrez l'écrou d'embout juste assez pour maintenir la meule en place. Une trop grande pression pourrait endommager la meule ou les autres pièces qui s'y rapportent.
- Une fois l'installation complétée, écartez-vous de l'outil et laissez la meule tourner durant au moins une minute avant de commencer à meuler. **N. B.** Ne vous placez jamais en ligne avec la meule.



#### Appuis d'outils et pare-étincelles (Fig. 4)

Les appuis d'outils et les pare-étincelles sont réglables et devraient être réglés chaque fois que la meule est remplacée, qu'elle a été dressée ou qu'elle est devenue usée. Les appuis d'outils devraient toujours être mis en position rapprochée de la meule pour donner un meilleur support. La distance entre la meule et l'appui ne devrait pas excéder 1/8". La position de niveau, légèrement au-dessous du centre de la meule, est la plus pratique et la plus sécuritaire pour l'appui d'outil.

Les pare-étincelles sont placés au-dessus de chacune des meules. Ils devraient être réglés selon l'usure de la meule, pour être à environ 3/16" de la meule. Ceci empêchera les étincelles de rejillir sur l'utilisateur.

### MONTAGE DE L'OUTIL



#### AVERTISSEMENT!

**Afin de réduire les risques de blessures corporelles, portez toujours des lunettes de protection à coques latérales. Les lunettes ordinaires peuvent avoir des verres résistants aux chocs mais elles ne sont pas sécuritaires.**

Une trop grande pression appliquée sur une meule froide est la cause la plus fréquente du bris de meule et doit être évitée. L'objet à meuler ne devrait jamais être forcé contre une meule froide, mais plutôt appliqué graduellement pour donner le temps à la meule de se réchauffer et minimiser les risques de bris. Cette règle s'applique autant aux meules usées qu'aux meules neuves qui ont été rangées dans un endroit frais. Il ne faut jamais meuler sur la meule qui tourne sur son axe avant de s'immobiliser ou sur une meule dont la rotation n'a pas atteint le plein régime.

Pour un meilleur rendement, les meules doivent être constamment bien dressées et correctement équilibrées. Un bon équilibre des meules éliminera la vibration, prolongera la durée des coussinets de la meuleuse et permettra de faire un meulage plus précis (Voir "Dressage des meules", Fig. 5).

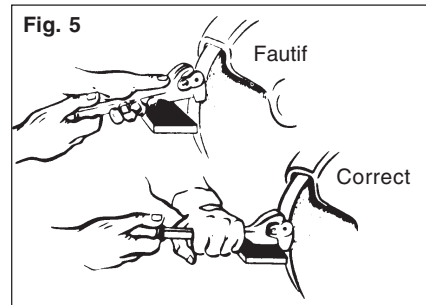
Pour le meulage prononcé, utilisez le pourtour de la meule au lieu des parois. Le meulage sur les parois des meules droites est dangereux et devrait être évité. Pour les travaux de meulage qui doivent être faits sur le côté de la meule, on doit employer des disques abrasifs spécialement conçus à cette fin. Le design de ces disques permet de les installer contre une roue d'acier assez forte pour soutenir la pression latérale.



#### AVERTISSEMENT!

**Afin de réduire les risques de blessures corporelles et de dommages à l'outil, utilisez uniquement des accessoires dimensionnés pour une rotation égale ou supérieure à celle qui est indiquée sur la fiche signalétique de la meuleuse.**

#### Dressage des meules (Fig. 5)



On doit dresser les meules lorsqu'elles sont déformées par l'usure, encrassées ou émoussées. Les meules neuves devraient être équilibrées et dressées pour éliminer toute vibration. Pour dresser les meules, on doit, de préférence, utiliser un outil de dressage au diamant. Cependant, il existe un outil plus répandu de dressage à disque qui utilise un dispositif remplaçable constitué de pièces de métal dur dentées ou en forme d'étoile. Ces disques tournent librement à grande vitesse lorsqu'ils sont appuyés sur les faces mobiles de la meule. Ils grattent dans la saleté pour l'enlever et dégagent les parcelles de grain émoussé de la meule.

Pour procéder au dressage de la meule, réglez l'appui d'outil à une position écartée de la meule afin que le talon de l'outil de dressage puisse être maintenu en place par l'appui et guidé pour assurer le dressage uniforme du pourtour de la meule. Le dressage devrait commencer par les endroits où la surface de la meule est la plus élevée. Si, après le dressage, il subsiste de la vibration, desserrez la meule, faites-lui faire un tour de 90°, serrez-la en place et recommencez le dressage selon la procédure.

#### Applications avec brosses à fils d'acier ondulés



#### AVERTISSEMENT!

**Débranchez l'outil avant d'y installer ou d'en enlever les accessoires. La vitesse de rotation sécuritaire pour laquelle les brosses et les meules sont dimensionnées doit excéder celle de la meuleuse à vide. Les gardes doivent être employés avec les brosses et les meules. L'usage d'accessoires autres que ceux qui sont spécifiquement recommandés pour cet outil peut comporter des risques.**

#### Installation des brosses à fils d'acier

- Débranchez l'outil.
- Pour installer une brosse à fils d'acier, retirez les couvercles des garde-meules. Enlevez les écrous hex. Rappelez-vous que le filetage du pivot est conçu pour que les écrous se resserrent lorsque la meule tourne quand la meuleuse est en mouvement.
- Glissez la brosse à fils d'acier sur le pivot et appuyez-la fermement sur la bride.
- Remettez la bride extérieure et l'écrou en place. Assurez-vous que le côté en cuvette de la bride est appuyé contre la brosse (Voir Fig. 3).

5. Serrez l'écrou d'embout juste assez pour maintenir la brosse en place. Une trop grande pression pourrait endommager la brosse ou les autres pièces qui s'y rapportent.

#### Usages de la brosse à fils d'acier



#### AVERTISSEMENT!

N'excédez pas la vitesse de rotation sécuritaire pour laquelle la brosse à fils d'acier est calibrée. N'utilisez pas une brosse avariée ou une brosse qui ne fonctionne pas normalement (éjection de fils rompus, flottement etc.). Ces conditions augmentent les risques de bris et de blessures pouvant en résulter. Débarrassez-vous des brosses avariées et employez-en de nouvelles.

Une brosse à fils d'acier sert à enlever la rouille et le tartre, à ébarber, polir, etc. Il existe une grande variété de brosses applicables à diverses tâches.

Vérifiez l'équilibre des brosses, l'absence ou le relâchement des fils en faisant tourner la meuleuse à vide durant au moins trente secondes avant d'appliquer un objet contre la brosse. Pendant cette vérification, il ne doit y avoir personne directement en face de l'outil. Lorsque vous appliquez un objet contre la brosse, évitez d'exercer une trop grande pression. Trop de pression plie les fils et les brise, occasionne la surchauffe de la brosse et son usure prématurée. Au lieu d'exercer beaucoup de pression, remplacez la brosse par une autre plus robuste (calibre de fils plus grand, fils moins longs, genre différent i.e. brosse à fils noués ou ondulés).



#### AVERTISSEMENT!

Les bouts de fil métallique de la meule en toile métallique convergent vers l'opérateur. C'est pourquoi il faut installer un garde-meule pour se protéger des fils rompus par l'usure qui sont éjectés durant le meulage.

## MAINTENANCE



#### AVERTISSEMENT!

Afin de réduire les risques de blessures, débranchez toujours votre outil avant d'en faire l'entretien. Ne démontez jamais l'outil et ne tentez pas d'en modifier le câblage électrique. Adressez-vous à un centre de service **MILWAUKEE** pour toutes les réparations.

#### Entretien de l'outil

Gardez l'outil en bon état en adoptant un programme d'entretien ponctuel. Avant de vous en servir, examinez son état en général. Inspectez-en la garde, interrupteur, cordon et cordon de rallonge pour en déceler les défauts. Vérifiez le serrage des vis, l'alignement et le jeu des pièces mobiles, les vices de montage, bris de pièces et toute autre condition pouvant en rendre le fonctionnement dangereux. Si un bruit ou une vibration insolite survient, arrêtez immédiatement l'outil et faites-le vérifier avant de vous en servir de nouveau. N'utilisez pas un outil défectueux. Fixez-y une étiquette marquée "HORS D'USAGE" jusqu'à ce qu'il soit réparé (Voir "Réparations").



#### AVERTISSEMENT!

Pour minimiser les risques de blessures, choc électrique et dommage à l'outil, n'immergez jamais l'outil et ne laissez pas de liquide s'y infiltrer.

#### Réparations

Si votre outil doit être réparé, retournez-le en entier au centre-service le plus près selon la liste apparaissant à la dernière page de ce manuel.



#### AVERTISSEMENT!

Afin de réduire les risques de blessures, on doit employer uniquement des pièces de rechange identiques.



## GARANTIE LIMITÉE DE L'OUTIL DE CINQ ANS

Tous les outils *MILWAUKEE* sont testés avant de quitter l'usine et sont garantis exempts de vice de matériau ou de fabrication. *MILWAUKEE* réparera ou remplacera (à la discrétion de *MILWAUKEE*), sans frais, tout outil (y compris les chargeurs de batterie) dont l'examen démontre le caractère défectueux du matériau ou de la fabrication dans les cinq (5) ans suivant la date d'achat. Retourner l'outil et une copie de la facture ou de toute autre preuve d'achat à une branche Entretien usine/Assistance des ventes de l'établissement *MILWAUKEE* ou à un centre d'entretien agréé par *MILWAUKEE*, en port payé et assuré. Cette garantie ne couvre pas les dommages causés par les réparations ou les tentatives de réparation par quiconque autre que le personnel agréé par *MILWAUKEE*, les utilisations abusives, l'usure normale, les carences d'entretien ou les accidents.

Les batteries, les lampes de poche et les radios sont garanties pour un (1) an à partir de la date d'achat.

LES SOLUTIONS DE RÉPARATION ET DE REMPLACEMENT DÉCRITES PAR LES PRÉSENTES SONT EXCLUSIVES. *MILWAUKEE* NE SAURAIT ÊTRE RESPONSABLE, EN AUCUNE CIRCONSTANCE, DES DOMMAGES ACCESSOIRES, SPÉCIAUX OU INDIRECTS, Y COMPRIS LES MANQUES À GAGNER.

CETTE GARANTIE EST EXCLUSIVE ET REMPLACE TOUTES LES AUTRES GARANTIES OU CONDITIONS, ÉCRITES OU ORALES, EXPRESSES OU TACITES DE QUALITÉ MARCHANDE OU D'ADAPTATION À UNE UTILISATION OU UNE FIN PARTICULIÈRE.

Cette garantie vous donne des droits particuliers. Vous pouvez aussi bénéficier d'autres droits variant d'un état à un autre et d'une province à une autre. Dans les états qui n'autorisent pas les exclusions de garantie tacite ou la limitation des dommages accessoires ou indirects, les limitations ou exclusions ci-dessus peuvent ne pas s'appliquer. Cette garantie s'applique aux États-Unis, au Canada et au Mexique uniquement.

## ACCESSOIRES



### AVERTISSEMENT!

Débranchez l'outil avant d'y installer ou d'en enlever les accessoires. La vitesse de rotation sécuritaire pour laquelle les brosses et les meules sont dimensionnées doit excéder celle de la meuleuse à vide. Les gardes doivent être employés avec les brosses et les meules. L'usage d'accessoires autres que ceux qui sont spécifiquement recommandés pour cet outil peut comporter des risques.

Pour une liste complète des accessoires, prière de se reporter au catalogue *MILWAUKEE* Electric Tool ou visiter le site internet [www.mil-electric-tool.com](http://www.mil-electric-tool.com). Pour obtenir un catalogue, il suffit de contacter votre distributeur local ou l'un des centres-service énumérés sur la page de couverture de ce manuel.

### Meules pour meuleuses d'établi

**N.B.** La vitesse de rotation maximale indiquée sur les meules et les brosses doit être plus grande que la vitesse de rotation à vide de la meuleuse.

### Meules

Les meules sont offertes en céramique de 36, 60 et 80 grains pour tout genre de meulage.

### Brosses à fils d'acier noués

Utilisez les brosses à fils d'acier noués pour enlever la rouille, le tartre et polir le limage.

### Brosses

Les brosses sont faites de fil d'acier de qualité et ont une surface de contact circulaire de 3/4" de large.

### Disques à polir en tissu

Les disques à polir en tissu sont employés pour le polissage des surfaces métalliques. Ces disques sont faits de multiples épaisseurs de tissu de qualité cousues ensemble et que l'on peut enduire de colle et de grains d'émeri pour les tâches de polissage robuste ou de finition.

### Lentilles en plexiglass

Lentilles de rechange offertes séparément pour meuleuses pourvues de pare-éclats éclairés et le modèle 4995.

### Pare-éclats en plexiglass (paire)

Offerts en équipement standard avec la meuleuse modèle 4935. Faciles à remplacer lorsqu'ils sont piqués. Offerts en paire.

### Base de meuleuse

Base en fonte grise à colonne tubulaire en acier. bac à eau amovible. Adaptable à tous les modèles de meuleuse.



## INSTRUCCIONES GENERALES DE SEGURIDAD



**¡ADVERTENCIA!**

### LEA Y ENTIENDA TODAS LAS INSTRUCCIONES

Se debe seguir todas las instrucciones a continuación para evitar una descarga eléctrica, incendio y/o lesiones graves.


### GUARDE ESTAS INSTRUCCIONES

**LEA CUIDADOSAMENTE TODAS LAS INSTRUCCIONES Y CONSERVELAS PARA EL USO FUTURO.** Antes de usar su herramienta, asegúrese que cualquier persona que la vaya a usar lea y entienda este manual al igual que cualquier etiqueta de precaución que haya dentro del empaque o en el cuerpo de la herramienta.

### AREA DE TRABAJO

1. **MANTENGA LIMPIA Y BIEN ILUMINADA EL AREA DE TRABAJO.** Las áreas desordenadas y oscuras favorecen los accidentes.
2. **EVITE AMBIENTES PELIGROSOS.** No utilice ni exponga sus herramientas en la lluvia o en lugares mojados. No utilice su herramienta en atmósferas explosivas (con líquidos, gases o sustancias inflamables). Retire del área materiales o residuos que puedan incendiarse con chispas.
3. **MANTENGA ALEJADAS A LAS PERSONAS.** Mantenga a distancia segura del área de trabajo, tanto a niños como a visitantes. No permita que personas ajenas distraigan al usuario ni toquen su herramienta o sus extensiones eléctricas.
4. **PROTEJA A LOS DEMAS EN EL AREA DE TRABAJO** de accidentes con rebabas y chispas eléctricas. Coloque barreras y escudos según sea necesario.
5. **PREPARE SU TALLER A PRUEBA DE NIÑOS** instalando seguros, interruptores maestros o quitando las llaves de encendido de las herramientas.

### SEGURIDAD ELECTRICA

6. **Las herramientas conectadas a tierra deben estar enchufadas en un toma corriente que esté instalado correctamente y conectado a tierra de acuerdo con todos los códigos y ordenanzas vigentes.** Nunca retire la clavija de conexión a tierra o modifique el enchufe de ninguna manera. No use enchufes adaptadores. Consulte un electricista capacitado si tiene dudas para asegurar que el tomacorriente esté correctamente conectado a tierra. Si las herramientas sufren fallas eléctricas, la conexión a tierra proporciona una trayectoria de baja resistencia para que el usuario no quede expuesto a la electricidad.
7. **Las herramientas con aislamiento doble están equipadas con un enchufe polarizado (una clavija es más ancha que la otra). Hay una sola manera de introducir este enchufe en una toma polarizada. Si el enchufe no se ajusta completamente en la toma, dé vuelta el enchufe. Si el problema persiste, póngase en contacto con un electricista calificado para que instale una toma polarizada. No cambie la toma de ninguna manera.** El aislamiento doble  elimina la necesidad de un cable de energía con conexión a tierra con 3 alambres y la de un sistema de suministro de energía con conexión a tierra.
8. **PROTEJASE CONTRA DESCARGAS ELECTRICAS.** Evite el contacto personal con superficies "a tierra" tales como tuberías, radiadores, estufas y refrigeradores. **Cuando vaya a realizar un corte "ciego", asegúrese de revisar el área de trabajo en busca de cables o tuberías.** Sujete su herramienta de las superficies aislantes no metálicas. Use un interruptor para conexiones fallidas "a tierra" (GFCI) para reducir el riesgo de una descarga.
9. **NO EXPONGA SU HERRAMIENTA A LA LLUVIA NI LA USE EN SITIOS MOJADOS O INUNDADOS.**
10. **NO MALTRATE EL CABLE. NUNCA USE EL CABLE PARA TRANSPORTAR LAS HERRAMIENTAS NI PARA SACAR EL ENCHUFE DE LA TOMA ELÉCTRICA. MANTENGA EL CABLE**

**LEJOS DE CALEFACCIÓN, PETRÓLEO, BORDES AFILADOS O CUALQUIER PARTE MOVIBLE. REEMPLACE INMEDIATAMENTE CUALQUIER CABLE DAÑADO.** Los cables dañados aumentan el riesgo de choque eléctrico.

### SEGURIDAD PERSONAL

11. **CONOZCA SU HERRAMIENTA.** Lea al detalle este manual del operario para que conozca las aplicaciones y limitaciones, al igual que los riesgos potenciales que ofrece una herramienta de este tipo.
12. **ESTE ALERTA.** Revise su trabajo y use el sentido común. No opere su herramienta cuando esté cansado, distraído o bajo la influencia de drogas, alcohol o cualquier medicina que cause reducción del control.
13. **UTILICE ROPA ADECUADA.** No use ropa suelta o joyería. Use un gorro que recoja el cabello largo y suelto ya que este puede ser atrapado por partes móviles. Cuando trabaje en el exterior use guantes de hule y zapatillas aislantes. Mantenga las manos y los guantes lejos de partes móviles.
14. **EVITE ARRANQUES ACCIDENTALES.** Antes de enchufar la herramienta asegúrese de que se encuentra apagada. No utilice la herramienta si tiene el interruptor dañado y éste no enciende ni apaga la herramienta correctamente. No cargue ni transporte una herramienta conectada, con el dedo colocado en el interruptor.
15. **RETIRE TODAS LAS LLAVES Y CALIBRADORES.** Hágase el hábito de verificar que todas las llaves, calibradores, etc. hayan sido removidos de la herramienta antes de operarla.
16. **NO SE FORCE, MANTENGA EL CONTROL.** Mantenga siempre una postura y un balance adecuado. Mantenga bien sujeta su herramienta. Extreme sus precauciones cuando use herramientas en escaleras, techos, áticos, andamios, etc.
17. **UTILICE EQUIPO DE SEGURIDAD.** Todas las personas que se encuentren en el área de trabajo deberán utilizar anteojos de seguridad o anteojos con protectores laterales que cumplan con las normas de seguridad en vigencia. Los anteojos normales tienen lentes que son sólo resistentes al impacto pero no son, en modo alguno, lentes de seguridad. Cuando permanezca en el área de trabajo durante periodos prolongados utilice protectores para los oídos. Use también una máscara contra polvo al realizar operaciones donde predominen esas condiciones. Siempre que así se especifique o se exija deberán utilizarse cascos protectores, máscaras protectoras, zapatos de seguridad, etc. Mantenga un extintor de incendios siempre a la mano.
18. **MANTENGA LAS GUARDAS EN SU LUGAR** y en condiciones de operación.
19. **NO SE COLOQUE SOBRE LA HERRAMIENTA.** Pueden ocurrir serios accidentes si se golpea accidentalmente la herramienta o si se hace contacto no intencional con alguna parte cortante de la misma.
20. **MANTENGA LAS MANOS RETIRADAS DE ORILLAS CORTANTES Y PARTES EN MOVIMIENTO.**

## EL USO Y MANTENIMIENTO DE LA HERRAMIENTA

21. **ASEGURE EL TRABAJO.** Use pinzas, sujetadores u otros medios prácticos para asegurar el trabajo. De esta manera tendrá libres ambas manos para operar y controlar la herramienta.
  22. **NO FORCE SU HERRAMIENTA.** Desarrollará su trabajo mejor y más seguramente si la opera dentro del rango para el que está diseñada. Forzándola solamente causará fatiga al operario, mayor desgaste y menor control.
  23. **UTILICE LA HERRAMIENTA ADECUADA.** No utilice una herramienta o accesorio para hacer trabajos para los que no está diseñada ni recomendada. Como por ejemplo, usar una sierra circular para cortar troncos de árbol. No altere la herramienta.
  24. **DESCONECTE LA HERRAMIENTA** cuando no se esté usando, cuando le cambie algún accesorio o le esté dando algún tipo de mantenimiento recomendado.
  25. **PROTEJA SU HERRAMIENTA CUANDO NO LA USE.** Cuando no la utilice, manténgala guardada en un lugar seco, alto y cerrado, lejos del alcance de los niños.
  26. **NUNCA DEJE SOLA UNA HERRAMIENTA QUE ESTE OPERANDO.** Desconéctela siempre. No se separe de la herramienta hasta que esta se haya detenido por completo.
  27. **BUSQUE PARTES DAÑADAS.** Revise las guardas y otras partes antes de usar la herramienta. Busque partes móviles que estén dobladas, mal alineadas, mal montadas, rotas o que presenten cualquier otra condición que pueda afectar la operación. Si se detecta algún ruido o vibración anormal, apague de inmediato la herramienta y solucione el problema antes de volverla a usar. No use una herramienta dañada. Coloque una etiqueta indicando "NO DEBE USARSE", hasta que sea reparada. Las guardas o cualquier
- otra parte dañada deberá ser adecuadamente reparada o reemplazada por un Centro de Servicio *MILWAUKEE*. En todas las reparaciones insista en que se coloquen partes idénticas y originales
28. **UTILICE LOS ACCESORIOS CORRECTOS.** Consulte este manual para saber cuáles son los accesorios correctos; puede ser peligroso utilizar accesorios incorrectos. Asegúrese de que los accesorios se encuentran bien instalados y han recibido el mantenimiento adecuado. No olvide poner los protectores o dispositivos de seguridad al instalar un accesorio.
  29. **MANTENGA SU HERRAMIENTA CON CUIDADO.** Mantenga los mangos secos, limpios y sin aceite ni grasa. Mantenga los filos de corte afilados y limpios. Siga siempre las instrucciones para lubricación y cambio de accesorios. Revise periódicamente el cable y las extensiones en busca de daños. Las partes dañadas deberán ser reparadas o cambiadas por un Centro de Servicio Autorizado *MILWAUKEE*.
  30. **MANTENGA LAS ETIQUETAS Y LA PLACA DE ESPECIFICACIONES.** Estas incluyen información muy importante. Si se llegan a dañar y no son legibles, contacte un Centro de Servicio *MILWAUKEE* para que las cambien sin costo.

## SERVICIO



31. **EL SERVICIO DE MANTENIMIENTO DEBE SER REALIZADO SOLAMENTE POR PERSONAL TÉCNICO DEBIDAMENTE CAPACITADO.** El servicio o mantenimiento realizado por personal no calificado puede aumentar el riesgo de lesiones.
32. **CUANDO REALICE EL SERVICIO DE MANTENIMIENTO, UTILICE SOLAMENTE REPUESTOS IDÉNTICOS. SIGA LAS INSTRUCCIONES EN LA SECCIÓN DE MANTENIMIENTO DE ESTE MANUAL.** El uso de partes no autorizadas o el incumplimiento de las instrucciones de mantenimiento puede aumentar el riesgo de descarga eléctrica o lesiones.

## REGLAS ADICIONALES DE SEGURIDAD

1. **Sostenga la herramienta por las superficies aisladas cuando realice una operación donde la herramienta cortadora puede entrar en contacto con alambres que no estén visibles o su propio cordón.** Hacer contacto con un alambre con corriente hará que las partes metálicas expuestas de la herramienta también tengan corriente y produzcan una descarga sobre el operador.
2. **Guarde las etiquetas y placas de especificaciones.** Estas tienen información importante. Si son ilegibles o si no se pueden encontrar, póngase en contacto con un centro de servicio de *MILWAUKEE* para una refacción gratis.
3. **AL TRABAJAR CON RUEDAS DE ESMERILAR, PULIR A PAÑO Y RUEDAS DE ALAMBRE, UTILICE SIEMPRE LOS PROTECTORES Y LAS PANTALLAS DE PROTECCIÓN OCULAR ADECUADAS.** Mantenga los protectores en su lugar y en condiciones de funcionamiento. Es importante hacerlo pues resguardan al operador de los fragmentos de rueda que pudieran saltar.
4. **LOS ACCESORIOS DEBEN ESTAR CLASIFICADOS POR LO MENOS PARA LA VELOCIDAD ESPECIFICADA EN LA PLACA DE IDENTIFICACIÓN DE LA HERRAMIENTA.** Las ruedas y otros accesorios que operen a una velocidad superior a la especificada pueden saltar y producir lesiones.
5. **REEMPLACE DE INMEDIATO LAS RUEDAS AGRIETADAS.**
6. **NO AJUSTE DE MANERA EXCESIVA LA TUERCA DE LA RUEDA.**
7. **UTILICE ÚNICAMENTE LOS REBORDES SUMINISTRADOS JUNTO CON LA ESMERILADORA.**
8. **MANTENGA UNA DISTANCIA DE 0,030 CM. (1/8 PULG.) O MENOS ENTRE LA BASE DE TRABAJO Y LA RUEDA A MEDIDA QUE EL DIÁMETRO DE LA RUEDA DISMINUYE CON EL USO.**
9. **LIMPIE CON FRECUENCIA EL POLVO DE ESMERILADO ACUMULADO BAJO LA HERRAMIENTA.**
10. **¡ADVERTENCIA!** Algunas partículas de polvo resultantes del lijado mecánico, aserrado, esmerilado, taladrado y otras actividades relacionadas a la construcción, contienen sustancias químicas que se saben ocasionan cáncer, defectos congénitos u otros daños al aparato reproductivo. A continuación se citan algunos ejemplos de tales sustancias químicas:
  - plomo proveniente de pinturas con base de plomo
  - sílice cristalino proveniente de ladrillos, cemento y otros productos de albañilería y
  - arsénico y cromo provenientes de madera químicamente tratada.

El riesgo que usted sufre debido a la exposición varía dependiendo de la frecuencia con la que usted realiza estas tareas. Para reducir la exposición a estas sustancias químicas: trabaje en un área bien ventilada, y utilice equipo de seguridad aprobado como, por ejemplo, máscaras contra el polvo que hayan sido específicamente diseñadas para filtrar partículas microscópicas.

## SIMBOLOGIA

	Canadian Standards Association
	Underwriters Laboratories

## ESPECIFICACIONES

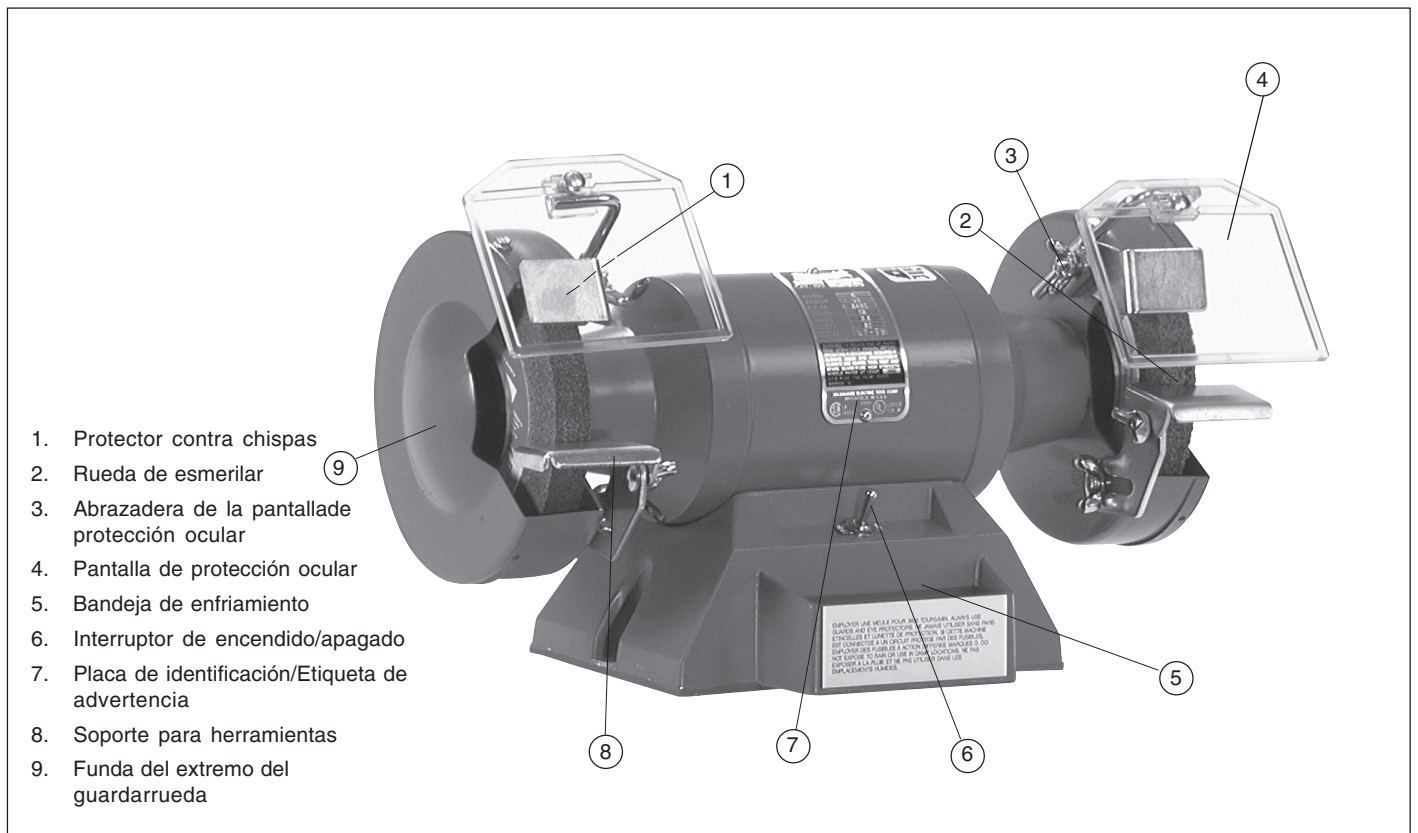
Cat. No.	SOLO Volts de ca	Amps	Fase	Veloc. en r.p.m.	Tamaño del Disco	Diá. del orificio	Espacio entre las ruedas	C.F. según NEMA
4931*	115	3.8	1	3450	6"	1/2"	12-1/2"	1/3
4935**	115	3.8	1	3450	6"	1/2"	12-1/2"	
4991*	115	4.0	1	3450	7"	5/8"	15-1/8"	1/2
4995**	115	4.0	1	3450	7"	5/8"	15-1/8"	
5051*	115	4.0	1	3450	8"	3/4"	15-5/8"	3/4
5091*	115/230	8.5/4.2	1	1725	10"	3/4"	17-3/8"	1

NOTA: Los caballos de fuerza (C.F.) están especificados según la norma de la Asociación Nacional de Fabricantes de Materiales Eléctricos (NEMA, por sus siglas en inglés).

\* Con pantallas de protección ocular con iluminación

\*\* Con pantallas de protección ocular fabricadas en plexiglas

## DESCRIPCIÓN FUNCIONAL



## TIERRA



### ¡ADVERTENCIA!

El conectar inadecuadamente el cable de "tierra" puede generar un riesgo de descarga eléctrica. Consulte con un electricista calificado en caso de tener dudas sobre si el toma corriente está adecuadamente conectado a tierra. No modifique la clavija que viene con la herramienta. Nunca corte la "pata" de tierra de la clavija. No use la herramienta si el cable o la clavija están dañados. Si están dañados, hágalo reparar en un Centro de Servicio MILWAUKEE antes de usarlo. Si la clavija no entra en el toma corriente, haga que un electricista calificado instale uno adecuado.

### Herramientas para conectarse a tierra:

#### Herramientas con clavija de tres patas

Las herramientas marcadas con "Requieren conectarse a tierra" tienen un cable con tres alambres y una clavija de tres patas. La clavija debe conectarse a un toma corriente correctamente "conectado a tierra" (vea la Fig. A o B). Si la herramienta llegara a funcionar mal o descomponerse desde el punto de vista eléctrico, el estar "a tierra" ofrece una ruta de baja resistencia para llevar la electricidad lejos del operario, reduciendo el riesgo de una descarga eléctrica.

La "pata" a tierra en la clavija está conectada por medio del cable verde dentro del cordón eléctrico al sistema aislante de la herramienta. El cable verde del cordón eléctrico debe ser el único que esté conectado al sistema aislante de la herramienta y no deberá jamás conectarse a una terminal eléctrica "viva".

Su herramienta deberá conectarse a un toma corriente que haya sido instalado en forma adecuada, conectado a tierra según todos los códigos y ordenanzas. Si su enchufe y su toma de corriente son como los que se muestran en la Figura A, su herramienta está clasificada para funcionar con menos de 150 voltios. Si su enchufe y su toma de corriente son como los que se muestran en la Figura B, su herramienta está clasificada para funcionar con 150 o hasta 250 voltios. Para este tipo de clavija no contamos con adaptadores temporales.

La Figura C ilustra un adaptador temporal el cual se usa para conectar clavijas de tres patas (Figura A) a toma corrientes de dos entradas (Figura B). La "oreja" verde rígida que sobresale del adaptador deberá conectarse a una tierra permanente tal como puede ser una

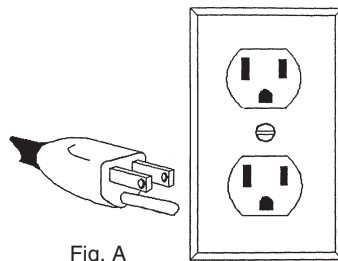


Fig. A

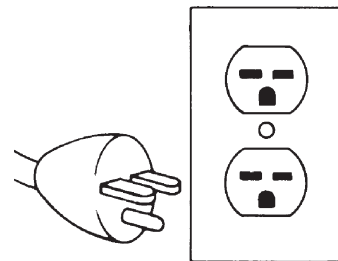


Fig. B

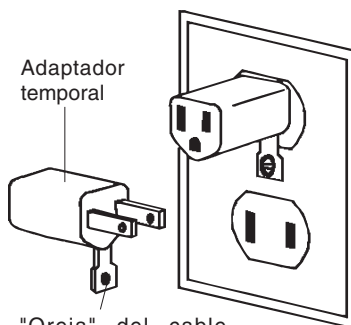


Fig. C

caja de toma corriente adecuadamente conectada a tierra. Simplemente afloje y quite el tornillo central del toma corriente, inserte el adaptador y vuelva a colocar el tornillo a través de la "oreja" del cable verde del adaptador. Si tiene duda sobre si el toma corriente está adecuadamente "aterrizado", llame a un electricista calificado. Este tipo de adaptadores temporales deben usarse solamente mientras se instala un toma corriente conectado a tierra por parte de un electricista calificado. El Código Eléctrico Canadiense prohíbe el uso de adaptadores temporales.

## EXTENSIONES ELECTRICAS

Las herramientas que deben conectarse a tierra cuentan con clavijas de tres patas y requieren que las extensiones que se utilicen con ellas sean también de tres cables. Las herramientas con doble aislamiento y clavijas de dos patas pueden utilizarse indistintamente con extensiones de dos a tres cables. El calibre de la extensión depende de la distancia que exista entre la toma de la corriente y el sitio donde se utilice la herramienta. El uso de extensiones inadecuadas puede causar serias caídas en el voltaje, resultando en pérdida de potencia y posible daño a la herramienta. La tabla que aquí se ilustra sirve de guía para la adecuada selección de la extensión.

Mientras menor sea el número del calibre del cable, mayor será la capacidad del mismo. Por ejemplo, un cable calibre 14 puede transportar una corriente mayor que un cable calibre 16. Cuando use mas de una extensión para lograr el largo deseado, asegúrese que cada una tenga al menos, el mínimo tamaño de cable requerido. Si está usando un cable de extensión para mas de una herramienta, sume los amperes de las varias placas y use la suma para determinar el tamaño mínimo del cable de extensión.

### Guías para el uso de cables de extensión

- Si está usando un cable de extensión en sitios al aire libre, asegúrese que está marcado con el sufijo "W-A" ("W" en Canadá) el cual indica que puede ser usado al aire libre.
- Asegúrese que su cable de extensión está correctamente cableado y en buenas condiciones eléctricas. Cambie siempre una extensión dañada o hágala reparar por una persona calificada antes de volver a usarla.
- Proteja su extensión eléctrica de objetos cortantes, calor excesivo o areas mojadas.

### Calibre mínimo recomendado para cables de extensión eléctricos\*

Amperes (En la placa)	Largo de cable de Extensión (MTS)					
	7.6	15.2	22.8	30.4	45.7	60.9
0 - 5	16	16	16	14	12	12
5.1 - 8	16	16	14	12	10	--
8.1 - 12	14	14	12	10	--	--
12.1 - 15	12	12	10	10	--	--
15.1 - 20	10	10	10	--	--	--

\*Basado en limitar la caída en el voltaje a 5 volts al 150% de los amperes marcados.

## ENSAMBAJE DE LA HERRAMIENTA



### ¡ADVERTENCIA!

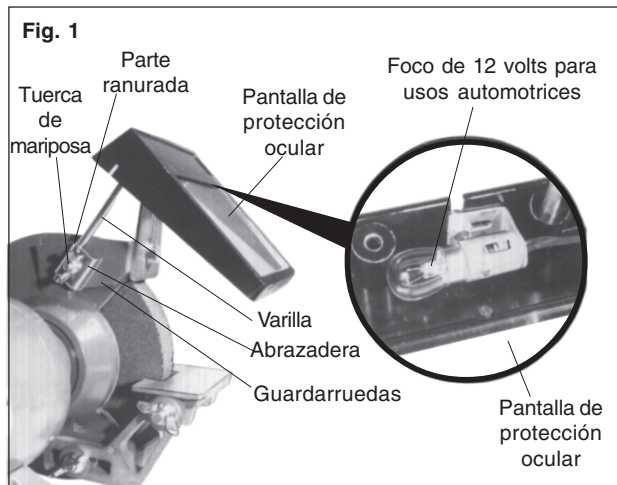
Para reducir el riesgo de lesión al personal y daño a la herramienta, use **SOLAMENTE** accesorios que estén marcados para usarse a las mismas o más RPM marcadas en las placas de "ADVERTENCIA" de la herramienta.

1. Examine cuidadosamente toda unidad nueva, verificando que no haya sufrido daños durante el transporte (revise las ruedas, los protectores, etc.). Asegúrese de que todas las partes están ajustadas pero no apriete de manera excesiva la tuerca de la rueda. Remítase a las instrucciones de instalación de la rueda, en la Fig. 3.
2. No ponga a funcionar la esmeriladora a menos que se encuentre asegurada con pernos. La base de la esmeriladora cuenta con dos orificios para el montaje.
3. Inspeccione si la rueda presenta fisuras o grietas. Si está dañada, reemplácela de inmediato. Utilice únicamente ruedas que giren a una velocidad nominal segura: por lo menos tan alta como la velocidad de la esmeriladora en vacío. Siga las instrucciones en la Fig. 2.
4. A veces, las ruedas pueden tener fisuras no ostensibles. A fin de evitar daños o lesiones, párese lejos de la rueda al hacerla funcionar por vez primera y déjela girar durante un minuto. Si vibra o hace demasiado ruido, rectifíquela tal como se explica en la Fig. 5. Si después de hacerlo la rueda continúa vibrando o haciendo ruido, investigue la causa y corríjala antes de utilizar la herramienta.

### Pantalla de protección ocular fabricada en plexiglas (Fig. 1)

(Equipo estándar para los Cat. Nos. 4935 y 4995)

La herramienta viene con dos pantallas de protección ocular distintas (una para cada rueda). Tales pantallas deberán utilizarse al operar la esmeriladora.



### Pantallas de protección ocular con iluminación (Fig. 1)

(Equipo estándar para los Cat. No. 4931, 4991, 5051 y 5091)

A fin de iluminar el frente y ambos lados de la rueda de esmerilar, las pantallas de protección ocular con iluminación están equipadas con un foco de 12 volts para usos automotrices. El zócalo y el foco de estas lámparas se mantienen en su lugar, bajo cada una de las pantallas, por medio de un perno y una tuerca que pasan a través de un orificio ubicado en el borde posterior de la pantalla para sujetar el zócalo en su posición. La herramienta viene con dos pantallas de protección ocular distintas (una para cada rueda) que deberán utilizarse al operar la esmeriladora.

### Instalación de las pantallas de protección ocular

Las abrazaderas para las pantallas vienen instaladas de fábrica.

1. Para instalar las pantallas de protección ocular, afloje la tuerca de mariposa.
2. Inserte el tramo de la varilla de la pantalla entre el guardarrueda y la parte ranurada de la abrazadera.
3. Ajuste la pantalla de protección ocular a la altura adecuada. Apriete la tuerca de mariposa.

### Esmeriladora de 1 C.F. (Cat. No. 5091)

Independientemente de cuál sea la clasificación de las esmeriladoras de 1 C.F., es recomendable que para suministrarles energía se utilice alambre No. 14, con un fusible de acción retardada de 15 amperios. Esta conexión deberá estar independiente de cualquier otro equipo eléctrico.

La esmeriladora de banco de 1 C.F. *MILWAUKEE* está clasificada para dos voltajes: 115/230 voltios. La esmeriladora viene cableada de fábrica para 115 voltios. El voltaje puede modificarse a 230 voltios, estableciendo un cableado nuevo a las conexiones del motor.

Este nuevo cableado deberá realizarlo un electricista profesional o personal autorizado de una Oficina de Servicio *MILWAUKEE*.

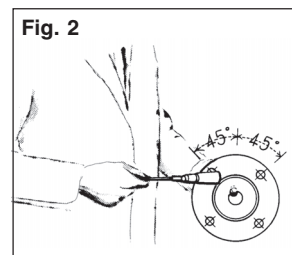
Los diagramas para el cableado y las conexiones se encuentran en la placa de la base de la esmeriladora. Desenchufe la esmeriladora antes de quitarle esta base. Al modificar a 230 voltios, el conductor flexible deberá conectarse directamente a la fuente de energía o por medio de un juego de conductor flexible adecuado para 230 voltios.

### Ruedas de esmerilar

Al seleccionar ruedas abrasivas, deberá optarse por aquellas de óxido de aluminio de alta calidad o de carburo de silicio. Si bien el óxido de aluminio no es tan duro como el carburo de silicio, sí es más resistente y difícil de quebrarse.

Las ruedas gruesas (36 granos de material abrasivo por pulgada) se recomiendan para un esmerilado basto. Las ruedas con granos más grandes (60 granos de material abrasivo por pulgada) son excelentes para alisar soldaduras, preparar superficies para el acabado y otros trabajos similares. Las ruedas con granos más finos (80 granos de material abrasivo por pulgada) son ideales para afilar o para acabados muy delicados.

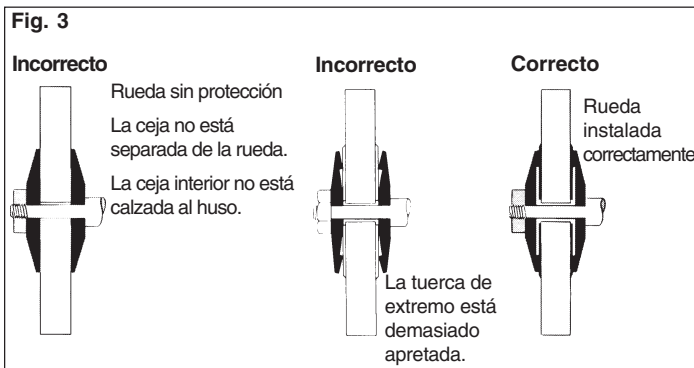
### Inspección de las ruedas de esmerilar (Fig. 2)



Antes de instalar las ruedas, pruébelas golpeándolas ligeramente con una herramienta no metálica como, por ejemplo, el mango de un desarmador. Si la rueda emite una sonoridad, se encuentra en buenas condiciones. Si no lo hace, deséchela. La rueda debe estar seca al realizar esta prueba; de lo contrario, el sonido se verá amortiguado. Golpee la rueda a un ángulo de 45° a cada lado de la línea central vertical y a, aproximadamente, 1 ó 2 pulgadas del borde exterior, tal como se indica en la Fig. 2. Gire la rueda 45° y repita la prueba.

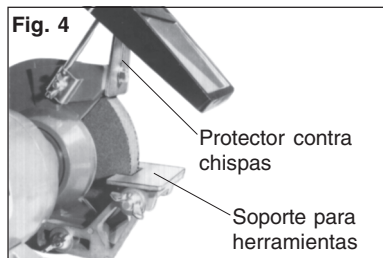
**NOTA:** Las ruedas de conglomerado orgánico no emiten el mismo sonido metálico y claro que las de silicio.

## Instalación de las ruedas (Fig. 3)



1. Desenchufe la herramienta.
2. Para instalar las ruedas de esmerilar, quite las fundas del guardarruedas. Quite las tuercas hexagonales -las roscas en el huso tienen tal forma que la tuerca se aprieta conforme la rueda gira cuando la herramienta está en operación.
3. Asegúrese de que los empaques estén bien colocados y no presenten daños.
4. Deslice las ruedas de esmerilar en el huso de modo que los empaques descansen firmemente contra la ceja interior de la rueda.
5. Vuelva a colocar la ceja exterior de la rueda y la tuerca. Asegúrese de que la parte acopada de la ceja exterior descansa contra la rueda (Remítase a la Fig. 3).
6. Apriete las tuercas de extremo sólo lo suficiente para sujetar la rueda firmemente. Si ejerce demasiada presión puede dañar la rueda o los componentes relacionados.
7. Una vez que ha instalado la rueda, párese a un lado de la máquina y haga girar la rueda durante, por lo menos, un minuto antes de proceder al trabajo de esmerilado. **NOTA:** Nunca se pare en línea con la rueda.

## Soportes para herramientas y protectores contra chispas (Fig. 4)



El soporte para herramientas y los protectores contra chispas son ajustables y deberán volver a colocarse cada vez que se instale una rueda ya sea tras haber sido rectificadas o reemplazadas debido al deterioro. La herramienta deberá mantenerse próxima a la rueda en todo momento de modo que tenga un mejor soporte. La distancia de la rueda no deberá ser mayor de 1/8 de pulgada. La posición más práctica y segura para un soporte para herramientas nivelado es ligeramente por debajo del centro de la rueda.

Los protectores contra chispas se localizan en la parte superior de cada rueda y deberán ajustarse conforme éstas se vayan desgastando, de modo que queden separados de ellas aproximadamente un 3/16 de pulgada. Esto evitará que las chispas le salten al operador.

## OPERACION



### ¡ADVERTENCIA!

A fin de reducir el riesgo de sufrir lesiones, utilice siempre lentes protectores. Los lentes comunes sólo son resistentes al impacto pero NO son lentes protectores.

Una de las causas más comunes de los desperfectos en las ruedas consiste en ejercer demasiada presión sobre ellas cuando se hallan frías. Esto deberá evitarse a toda costa. Tampoco deberá hacerse funcionar una rueda fría, más bien se esperará a que ésta alcance gradualmente la temperatura adecuada a fin de reducir el riesgo de que se quiebre. Esto se aplica tanto a las ruedas usadas como a aquéllas que son nuevas y han estado guardadas en un lugar frío. No realice ninguna operación de esmerilado cuando la rueda continúa girando con el motor apagado antes de detenerse por completo. Tampoco lo haga antes de que alcance la velocidad total.

Para mejores resultados, mantenga siempre las ruedas de esmerilar correctamente rectificadas y equilibradas. Al utilizar ruedas bien equilibradas se aumentará la vida útil de los cojinetes de la esmeriladora pues, de esta manera, podrá eliminarse las causas más comunes de la vibración y posibilitar un trabajo más exacto (Remítase a la Fig. 5, Rectificación de las ruedas de esmerilar).

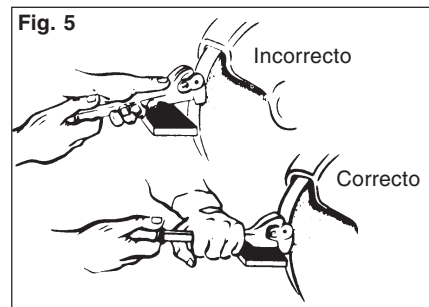
Al realizar cortes pesados, utilice el frente y no los lados de la rueda para cortar. Resulta peligroso esmerilar con los lados lisos de una rueda recta y, por lo tanto, deberá evitarse. Para esmerilar con los lados lisos de una rueda recta deberán utilizarse discos abrasivos especiales. Los discos están diseñados para instalarse con un lado liso contra una placa de máquina de acero adecuada, a fin de soportar la presión lateral sin peligro.



### ¡ADVERTENCIA!

A fin de reducir el riesgo de sufrir lesiones y dañar la herramienta, SOLO utilice accesorios con una clasificación igual o mayor a las r.p.m. especificadas en la placa de identificación de la herramienta.

## Rectificación de las ruedas de esmerilar (Fig. 5)



Es necesario rectificar las ruedas de esmerilar cuando estén desgastadas, pierdan su curvatura o cuando su superficie se atasque o se torne demasiado lisa. Se debe equilibrar las ruedas nuevas rectificándolas para evitar que vibren demasiado. Para rectificar ruedas abrasivas es preferible utilizar un rectificador de diamante. El rectificador tipo disco más común contiene un juego de estrellas o piezas reemplazables con forma de engranaje y fabricadas en metal duro. Estos discos giran libre y rápidamente cuando se mantienen en contacto con el frente de la rueda en movimiento, e inciden sobre ésta para eliminar las pequeñas partículas sin filo así como las acumulaciones.

A fin de rectificar la rueda, aleje de ésta el soporte para herramientas de modo que el dorso del rectificador se enganche sobre el soporte y se guíe por éste conforme se mueve sobre el frente de la rueda. El rectificador deberá colocarse inicialmente sobre la superficie más alta del frente de la rueda. Si después de rectificar la rueda aún hay vibración, afloje la rueda, gírela 90° y vuelva a apretarla. Repita el procedimiento de rectificación.

#### Para las aplicaciones con cepillo de rueda de alambre



#### ¡ADVERTENCIA!

Desenchufe la herramienta antes de quitarle o ponerle algún accesorio. La máxima velocidad de operación dentro de los límites de seguridad para los cepillos de alambre y las ruedas de esmerilar deberá ser mayor que las r.p.m. a las que funciona la herramienta en vacío. Se deberán utilizar protectores tanto con las ruedas de esmerilar como con las de alambre. Solo utilice accesorios específicamente recomendados para su herramienta; el uso de otros accesorios puede ser peligroso.

#### Instalación de los cepillos de rueda de alambre

1. Desenchufe la herramienta.
2. Para instalar las ruedas de alambre, quite las fundas del guardarruedas de los protectores. Quite las tuercas hexagonales las roscas en el huso tienen tal forma que la tuerca se aprieta conforme la rueda gira cuando la herramienta está en operación.
3. Deslice la rueda de alambre en el huso de modo que la rueda descansa firmemente contra la ceja.
4. Vuelva a colocar la ceja exterior de la rueda y la tuerca. Asegúrese de que la parte acopada de la ceja exterior descansa contra la rueda (Remítase a la Fig. 3).
5. Apriete las tuercas de extremo sólo lo suficiente para sujetar la rueda firmemente. Si ejerce demasiada presión puede dañar la rueda o los componentes relacionados.

#### Uso de los cepillos de rueda de alambre



#### ¡ADVERTENCIA!

Nunca exceda la velocidad máxima de operación del cepillo. No use cepillos dañados o que funcionen inadecuadamente (que lancen partículas o estén desbalanceados, etc.) Estas condiciones aumentan el riesgo de una falla posterior mayor y una posible lesión. Descarte y reemplace inmediatamente los cepillos dañados.

Los cepillos de alambre son útiles para eliminar óxido, escamas, rebabas y desprendimiento de soldadura, etc. Existe una gran variedad de cepillos de alambre para distintas aplicaciones.

Pruebe el equilibrio del cepillo de alambre y desprenda los cables dañados poniendo a funcionar la herramienta en vacío, por lo menos durante 30 segundos antes de proceder a utilizarla. Durante este lapso, nadie deberá estar parado en frente de la herramienta o en línea con ésta. Al aplicar el cepillo a la pieza que quiere trabajar evite ejercer demasiada presión. Esto provoca que los alambre se doblen de más y que se acumule calor,

lo que tiene como consecuencia que los alambres se quemen prematuramente, el cepillo pierda filo y se deteriore más rápidamente. En vez de ejercer más presión, utilice un cepillo de alambre con mayor capacidad de corte (alambre de mayor calibre, de menor longitud, o un cepillo de otro tipo como, por ejemplo, un cepillo de nudo en vez de uno ondulado).



#### ¡ADVERTENCIA!

Debido a que los alambres en los cepillos están orientados hacia el operario, la guarda debe usarse para proteger al mismo cuando se desprendan partículas de alambre.

### MANTENIMIENTO



#### ¡ADVERTENCIA!

A fin de reducir el riesgo de sufrir lesiones, desenchufe siempre la herramienta antes de darle cualquier tipo de mantenimiento. Nunca la desarme ni trate un nuevo cableado en su sistema eléctrico. Para cualquier tipo de reparaciones sírvase consultar a un representante de alguna Oficina de Servicio MILWAUKEE.

#### Mantenimiento de las herramientas

Adopte un programa regular de mantenimiento y mantenga su herramienta en buenas condiciones. Antes de usarla, examine las condiciones generales de la misma. Inspeccione guardas, interruptores, el cable de la herramienta y el cable de extensión. Busque tornillos sueltos o flojos, malos alineamientos y dobleces en partes móviles, así como montajes inadecuados, partes rotas y cualquier otra condición que pueda afectar una operación segura. Si detecta ruidos o vibraciones anormales, apague la herramienta de inmediato y corrija el problema antes de volver a usarla. No use una herramienta dañada. Colóquela una etiqueta que diga "NO DEBE USARSE" hasta que sea reparada (vea "Reparaciones").



#### ¡ADVERTENCIA!

Para reducir el riesgo de una lesión, descarga eléctrica o daño a la herramienta, nunca la sumerja en líquidos ni permita que estos fluyan dentro de la misma.

#### Reparación

Si su herramienta se daña o descompone, envíela completa al centro de servicio más cercano de los listados en la cubierta posterior de este manual del operario.



#### ¡ADVERTENCIA!

A fin de reducir el riesgo de sufrir lesiones, utilice únicamente partes de reemplazo idénticas a las originales.



## GARANTÍA LIMITADA DE CINCO AÑOS

Todas las herramientas *MILWAUKEE* se prueban antes de abandonar la fábrica y se garantiza que no presentan defectos ni en el material ni de mano de obra. En el plazo de cinco (5) años a partir de la fecha de compra *MILWAUKEE* reparará o reemplazará (a discreción de *MILWAUKEE*), sin cargo alguno, cualquier herramienta (cargadores de baterías inclusive) cuyo examen determine que presenta defectos de material o de mano de obra. Devuelva la herramienta, con gastos de envío prepagados y asegurada, y una copia de la factura de compra, u otro tipo de comprobante de compra, a una sucursal de reparaciones/ventas de la fábrica *MILWAUKEE* o a un centro de reparaciones autorizado por *MILWAUKEE*. Esta garantía no cubre los daños ocasionados por reparaciones o intentos de reparación por parte de personal no autorizado por *MILWAUKEE*, abuso, desgaste y deterioro normal, falta de mantenimiento o accidentes.

Las baterías, linternas y radios tienen una garantía de un (1) año a partir de la fecha de compra.

LOS DERECHOS A REPARACIÓN Y REEMPLAZO DESCRITOS EN EL PRESENTE DOCUMENTO SON EXCLUSIVOS. *MILWAUKEE* NO SERÁ EN NINGÚN CASO RESPONSABLE DE DAÑOS INCIDENTALES, ESPECIALES O CONSECUENTES, INCLUYENDO LA PÉRDIDA DE GANANCIAS.

ESTA GARANTÍA ES EXCLUSIVA Y SUSTITUYE A TODA OTRA GARANTÍA, O CONDICIONES, ESCRITAS U ORALES, EXPRESAS O IMPLÍCITAS DE COMERCIALIZACIÓN O IDONEIDAD PARA UN USO O FIN DETERMINADO.

Esta garantía le proporciona derechos legales específicos. Es posible que usted tenga otros derechos que varían de estado a estado y de provincia a provincia. En aquellos estados que no permiten la exclusión de garantías implícitas o la limitación de daños incidentales o consecuentes, las limitaciones anteriores pueden que no apliquen. Esta garantía es válida solamente en los Estados Unidos, Canadá y México.

## ACCESORIOS



### ¡ADVERTENCIA!

**Desenchufe la herramienta antes de quitarle o ponerle algún accesorio. La máxima velocidad de operación dentro de los límites de seguridad para los cepillos de alambre y las ruedas de esmerilar deberá ser mayor que las r.p.m. a las que funciona la herramienta en vacío. Se deberán utilizar protectores tanto con las ruedas de esmerilar como con las de alambre. Solo utilice accesorios específicamente recomendados para su herramienta; el uso de otros accesorios puede ser peligroso.**

Para una lista completa de accesorios, refiérase a su catálogo *MILWAUKEE* Electric Tool o visite nuestro sitio en Internet: [www.mil-electric-tool.com](http://www.mil-electric-tool.com). Para obtener un catálogo, contacte su distribuidor local o uno de los centros de servicio listos en la página de cubierta de este manual.

### Ruedas para esmeriladoras de banco

**NOTA:** La máxima velocidad de operación dentro de los límites de seguridad para las ruedas de alambre y de esmerilar deberá ser mayor que la velocidad de la herramienta al funcionar en vacío.

### Ruedas de esmerilar

Existen ruedas de esmerilar de distintos grados de abrasión; a saber: 36, 60 y 80 para realizar diversos tipos de trabajo.

### Ruedas de alambre nudoso

Utilice estas ruedas para eliminar óxido, escamas y marcas de lima.

### Cepillos

Los cepillos están fabricados con acero de alta calidad y tienen un ancho frontal de 3/4 de pulgada.

### Ruedas de paño

Utilice este tipo de ruedas para pulir con paño superficies metálicas. Estas ruedas están fabricadas con numerosas capas de paño para pulir de la mejor calidad. Las capas están unidas mediante una costura cuidadosa para evitar que se descosen. Se le puede aplicar resistol a la rueda y después recubrirla con partículas de esmeril para lograr un esmerilado de acabado o un pulido basto.

### Lentes de plexiglas

Lentes de repuesto para todos los modelos de pantallas de protección ocular con iluminación, con el Cat. No. 4995. Se venden en paquetes individuales.

### Pantalla de protección ocular fabricada en plexiglas (Un par)

Surtido como equipo estándar bajo el Cat. No. 4935. Fácil de reemplazar si llega a dañarse. Se venden por par.

### Pedestal para esmeriladora

Pieza fundida de hierro gris con columna tubular de acero. Recipiente desmontable para agua. Adaptable a todos los modelos.







## **UNITED STATES**

### **MILWAUKEE Service**

To locate the *factory* SERVICE CENTER or authorized service station nearest you, call

**1-800-414-6527**

TOLL FREE • NATIONWIDE

Monday-Friday • 8:00 AM - 4:30 PM • Local Time

In addition, there is a worldwide network of distributors ready to assist you. Check your "Yellow Pages" under "Tools-Electric" for the names of those nearest you.

For further information on *factory* SERVICE CENTER or authorized service station locations, visit our website at:

**[www.mil-electric-tool.com](http://www.mil-electric-tool.com)**

Corporate Product Service Support -  
Warranty and Technical Information

Brookfield, Wisconsin USA

**1-800-729-3878**

## **CANADA**

### **Service MILWAUKEE**

#### **Milwaukee Electric Tool (Canada) Ltd**

755 Progress Avenue

Scarborough, Ontario M1H 2W7

Tel. (416) 439-4181

Fax: (416) 439-6210

En outre le réseau de distributeurs est à la disposition de la clientèle d'un océan à l'autre. Consultez les pages jaunes de l'annuaire téléphonique pour l'adresse du centre le plus près de chez vous.

In addition, there is a worldwide network of distributors ready to assist you. Check your "Yellow Pages" under "Tools-Electric" for the names of those nearest you.

## **MEXICO**

### **Servicios de MILWAUKEE**

#### **Milwaukee Electric Tool**

División de : Atlas Copco Mexicana S.A. de C.V.

Blvd. Abraham Lincoln no. 13

Colonia Los Reyes Zona Industrial

Tlalnepantla, Edo. México C.P. 54073

Tels. 5565-1414 5565-4720

Fax: 5565-0925

Además se cuenta con una red nacional de distribuidores listos para apoyarlo. Vea en las "Páginas Amarillas" sección "Herramientas Eléctricas".

## **MILWAUKEE ELECTRIC TOOL CORPORATION**

**A Company within the Atlas Copco Group**

**13135 West Lisbon Road • Brookfield, Wisconsin, U.S.A. 53005**