



**OM-181 931F**

November 2001

**Processes**



MIG (GMAW) Welding

Flux Cored (FCAW) Welding

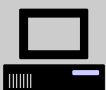
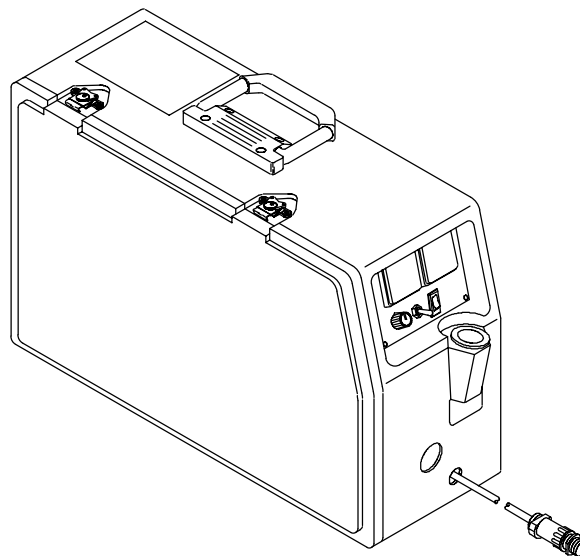
**Description**



Wire Feeder

CE

# S-22P12 Ultra-Lite



Visit our website at

[www.MillerWelds.com](http://www.MillerWelds.com)

## OWNER'S MANUAL

# From Miller to You

*Thank you and congratulations* on choosing Miller. Now you can get the job done and get it done right. We know you don't have time to do it any other way.

That's why when Niels Miller first started building arc welders in 1929, he made sure his products offered long-lasting value and superior quality. Like you, his customers couldn't afford anything less. Miller products had to be more than the best they could be. They had to be the best you could buy.



Today, the people that build and sell Miller products continue the tradition. They're just as committed to providing equipment and service that meets the high standards of quality and value established in 1929.

This Owner's Manual is designed to help you get the most out of your Miller products. Please take time to read the Safety precautions. They will help you protect yourself against potential hazards on the worksite. We've



Miller is the first welding equipment manufacturer in the U.S.A. to be registered to the ISO 9001 Quality System Standard.

made installation and operation quick and easy. With Miller you can count on years of reliable service with proper maintenance. And if for some reason the unit needs repair, there's a Troubleshooting section that will help you figure out what the problem is. The parts list will then help you to decide which exact part you may need to fix the problem. Warranty and service information for your particular model are also provided.

Miller Electric manufactures a full line of welders and welding related equipment. For information on other quality Miller products, contact your local Miller distributor to receive the latest full line catalog or individual catalog sheets. **To locate your nearest distributor or service agency call 1-800-4-A-Miller, or visit us at [www.MillerWelds.com](http://www.MillerWelds.com) on the web.**



Working as hard as you do – every power source from Miller is backed by the most hassle-free warranty in the business.

*Miller offers a Technical Manual which provides more detailed service and parts information for your unit. To obtain a Technical Manual, contact your local distributor. Your distributor can also supply you with Welding Process Manuals such as SMAW, GTAW, GMAW, and GMAW-P.*



# TABLE OF CONTENTS

## **WARNING**

This product, when used for welding or cutting, produces fumes or gases which contain chemicals known to the State of California to cause birth defects and, in some cases, cancer. (California Health & Safety Code Section 25249.5 et seq.)

<b>SECTION 1 – SAFETY PRECAUTIONS - READ BEFORE USING</b> .....	<b>1</b>
1-1. Symbol Usage .....	1
1-2. Arc Welding Hazards .....	1
1-3. Additional Symbols for Installation, Operation, and Maintenance .....	3
1-4. Principal Safety Standards .....	3
1-5. EMF Information .....	4
<b>SECTION 1 – CONSIGNES DE SECURITE – LIRE AVANT UTILISATION</b> .....	<b>5</b>
1-1. Signification des symboles .....	5
1-2. Dangers relatifs au soudage à l'arc .....	5
1-3. Dangers supplémentaires en relation avec l'installation, le fonctionnement et la maintenance .....	7
1-4. Principales normes de sécurité .....	8
1-5. Information sur les champs électromagnétiques .....	8
<b>SECTION 2 – DEFINITIONS</b> .....	<b>9</b>
2-1. Warning Label Definitions .....	9
2-2. Manufacturer's Rating Label For CE Products .....	10
2-3. Symbols And Definitions .....	10
<b>SECTION 3 – INSTALLATION</b> .....	<b>10</b>
3-1. Specifications .....	10
3-2. Equipment Connection Diagram .....	11
3-3. Connecting Welding Gun And Optional Voltage Sensing Lead .....	11
3-4. Connecting Shielding Gas And 14-Pin Plug .....	12
3-5. 14-Pin Plug Information .....	12
3-6. Setting Optional Wire Speed Meter Range Switch .....	12
3-7. Connecting Weld Cable And Installing Drive Rolls .....	13
3-8. Installing And Threading Welding Wire .....	14
<b>SECTION 4 – OPERATION</b> .....	<b>15</b>
4-1. Controls .....	15
<b>SECTION 5 – MAINTENANCE &amp; TROUBLESHOOTING</b> .....	<b>15</b>
5-1. Routine Maintenance .....	15
5-2. Overload Protection .....	16
5-3. Troubleshooting Table .....	16
<b>SECTION 6 – ELECTRICAL DIAGRAM</b> .....	<b>17</b>
<b>SECTION 7 – PARTS LIST</b> .....	<b>18</b>
<b>OPTIONS AND ACCESSORIES</b>	
<b>WARRANTY</b>	

# Declaration of Conformity for European Community (CE) Products

**NOTE** 

*This information is provided for units with CE certification (see rating label on unit).*

*Manufacturer's Name:* **Miller Electric Mfg. Co.**

*Manufacturer's Address:* 1635 W. Spencer Street  
Appleton, WI 54914 USA

*Declares that the product:* **S-22P12 Ultra-Lite**

*conforms to the following Directives and Standards:*

### Directives

Low Voltage Directive: 73/23/EEC

Electromagnetic Compatibility (EMC) Directive: 89/336/EEC

Machinery Directives: 89/392/EEC, 91/368/EEC, 93/C 133/04, 93/68/EEC

### Standards

Arc Welding Equipment Part I: Welding Power Sources: IEC 974-1  
(April 1995 – Draft Revision)

Arc Welding Equipment: Wirefeed Systems: IEC 974-4  
(May 1995 – Draft Revision)

Degrees of Protection Provided By Enclosures (IP Code): IEC 529:1989

Insulation Coordination For Equipment With Low-Voltage Systems:  
Part I: Principles, Requirements and Tests: IEC 664-1: 1992

Electromagnetic Compatibility, (EMC): EN 50199

*European Contact:* Mr. Danilo Fedolfi, Managing Director  
MILLER Europe S.r.l.  
Via Privata Iseo  
20098 San Giuliano  
Milanese, Italy

*Telephone:* 39(02)98290-1  
*Fax:* 39(02)98281-552

# SECTION 1 – SAFETY PRECAUTIONS - READ BEFORE USING

som\_nd\_4/98

## 1-1. Symbol Usage



Means Warning! Watch Out! There are possible hazards with this procedure! The possible hazards are shown in the adjoining symbols.

▲ Marks a special safety message.

☞ Means "Note"; not safety related.



This group of symbols means Warning! Watch Out! possible ELECTRIC SHOCK, MOVING PARTS, and HOT PARTS hazards. Consult symbols and related instructions below for necessary actions to avoid the hazards.

## 1-2. Arc Welding Hazards

▲ The symbols shown below are used throughout this manual to call attention to and identify possible hazards. When you see the symbol, watch out, and follow the related instructions to avoid the hazard. The safety information given below is only a summary of the more complete safety information found in the Safety Standards listed in Section 1-4. Read and follow all Safety Standards.

▲ Only qualified persons should install, operate, maintain, and repair this unit.

▲ During operation, keep everybody, especially children, away.



### ELECTRIC SHOCK can kill.

Touching live electrical parts can cause fatal shocks or severe burns. The electrode and work circuit is electrically live whenever the output is on. The input power circuit and machine internal circuits are also

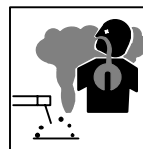
live when power is on. In semiautomatic or automatic wire welding, the wire, wire reel, drive roll housing, and all metal parts touching the welding wire are electrically live. Incorrectly installed or improperly grounded equipment is a hazard.

- Do not touch live electrical parts.
- Wear dry, hole-free insulating gloves and body protection.
- Insulate yourself from work and ground using dry insulating mats or covers big enough to prevent any physical contact with the work or ground.
- Do not use AC output in damp areas, if movement is confined, or if there is a danger of falling.
- Use AC output ONLY if required for the welding process.
- If AC output is required, use remote output control if present on unit.
- Disconnect input power or stop engine before installing or servicing this equipment. Lockout/tagout input power according to OSHA 29 CFR 1910.147 (see Safety Standards).
- Properly install and ground this equipment according to its Owner's Manual and national, state, and local codes.
- Always verify the supply ground – check and be sure that input power cord ground wire is properly connected to ground terminal in disconnect box or that cord plug is connected to a properly grounded receptacle outlet.
- When making input connections, attach proper grounding conductor first – double-check connections.
- Frequently inspect input power cord for damage or bare wiring – replace cord immediately if damaged – bare wiring can kill.
- Turn off all equipment when not in use.
- Do not use worn, damaged, undersized, or poorly spliced cables.
- Do not drape cables over your body.

- If earth grounding of the workpiece is required, ground it directly with a separate cable.
- Do not touch electrode if you are in contact with the work, ground, or another electrode from a different machine.
- Use only well-maintained equipment. Repair or replace damaged parts at once. Maintain unit according to manual.
- Wear a safety harness if working above floor level.
- Keep all panels and covers securely in place.
- Clamp work cable with good metal-to-metal contact to workpiece or worktable as near the weld as practical.
- Insulate work clamp when not connected to workpiece to prevent contact with any metal object.
- Do not connect more than one electrode or work cable to any single weld output terminal.

### SIGNIFICANT DC VOLTAGE exists after removal of input power on inverters.

- Turn Off inverter, disconnect input power, and discharge input capacitors according to instructions in Maintenance Section before touching any parts.



### FUMES AND GASES can be hazardous.

Welding produces fumes and gases. Breathing these fumes and gases can be hazardous to your health.

- Keep your head out of the fumes. Do not breathe the fumes.
- If inside, ventilate the area and/or use exhaust at the arc to remove welding fumes and gases.
- If ventilation is poor, use an approved air-supplied respirator.
- Read the Material Safety Data Sheets (MSDSs) and the manufacturer's instructions for metals, consumables, coatings, cleaners, and degreasers.
- Work in a confined space only if it is well ventilated, or while wearing an air-supplied respirator. Always have a trained watch-person nearby. Welding fumes and gases can displace air and lower the oxygen level causing injury or death. Be sure the breathing air is safe.
- Do not weld in locations near degreasing, cleaning, or spraying operations. The heat and rays of the arc can react with vapors to form highly toxic and irritating gases.
- Do not weld on coated metals, such as galvanized, lead, or cadmium plated steel, unless the coating is removed from the weld area, the area is well ventilated, and if necessary, while wearing an air-supplied respirator. The coatings and any metals containing these elements can give off toxic fumes if welded.



### ARC RAYS can burn eyes and skin.

Arc rays from the welding process produce intense visible and invisible (ultraviolet and infrared) rays that can burn eyes and skin. Sparks fly off from the weld.

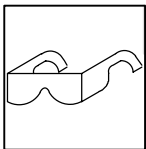
- Wear a welding helmet fitted with a proper shade of filter to protect your face and eyes when welding or watching (see ANSI Z49.1 and Z87.1 listed in Safety Standards).
- Wear approved safety glasses with side shields under your helmet.
- Use protective screens or barriers to protect others from flash and glare; warn others not to watch the arc.
- Wear protective clothing made from durable, flame-resistant material (leather and wool) and foot protection.



### WELDING can cause fire or explosion.

Welding on closed containers, such as tanks, drums, or pipes, can cause them to blow up. Sparks can fly off from the welding arc. The flying sparks, hot workpiece, and hot equipment can cause fires and burns. Accidental contact of electrode to metal objects can cause sparks, explosion, overheating, or fire. Check and be sure the area is safe before doing any welding.

- Protect yourself and others from flying sparks and hot metal.
- Do not weld where flying sparks can strike flammable material.
- Remove all flammables within 35 ft (10.7 m) of the welding arc. If this is not possible, tightly cover them with approved covers.
- Be alert that welding sparks and hot materials from welding can easily go through small cracks and openings to adjacent areas.
- Watch for fire, and keep a fire extinguisher nearby.
- Be aware that welding on a ceiling, floor, bulkhead, or partition can cause fire on the hidden side.
- Do not weld on closed containers such as tanks, drums, or pipes, unless they are properly prepared according to AWS F4.1 (see Safety Standards).
- Connect work cable to the work as close to the welding area as practical to prevent welding current from traveling long, possibly unknown paths and causing electric shock and fire hazards.
- Do not use welder to thaw frozen pipes.
- Remove stick electrode from holder or cut off welding wire at contact tip when not in use.
- Wear oil-free protective garments such as leather gloves, heavy shirt, cuffless trousers, high shoes, and a cap.
- Remove any combustibles, such as a butane lighter or matches, from your person before doing any welding.



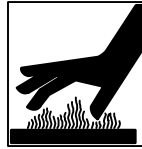
### FLYING METAL can injure eyes.

- Welding, chipping, wire brushing, and grinding cause sparks and flying metal. As welds cool, they can throw off slag.
- Wear approved safety glasses with side shields even under your welding helmet.



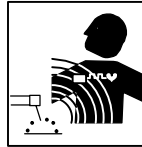
### BUILDUP OF GAS can injure or kill.

- Shut off shielding gas supply when not in use.
- Always ventilate confined spaces or use approved air-supplied respirator.



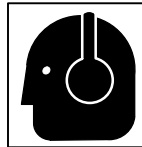
### HOT PARTS can cause severe burns.

- Do not touch hot parts bare handed.
- Allow cooling period before working on gun or torch.



### MAGNETIC FIELDS can affect pacemakers.

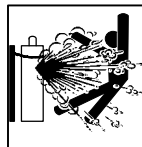
- Pacemaker wearers keep away.
- Wearers should consult their doctor before going near arc welding, gouging, or spot welding operations.



### NOISE can damage hearing.

Noise from some processes or equipment can damage hearing.

- Wear approved ear protection if noise level is high.



### CYLINDERS can explode if damaged.

Shielding gas cylinders contain gas under high pressure. If damaged, a cylinder can explode. Since gas cylinders are normally part of the welding process, be sure to treat them carefully.

- Protect compressed gas cylinders from excessive heat, mechanical shocks, slag, open flames, sparks, and arcs.
- Install cylinders in an upright position by securing to a stationary support or cylinder rack to prevent falling or tipping.
- Keep cylinders away from any welding or other electrical circuits.
- Never drape a welding torch over a gas cylinder.
- Never allow a welding electrode to touch any cylinder.
- Never weld on a pressurized cylinder – explosion will result.
- Use only correct shielding gas cylinders, regulators, hoses, and fittings designed for the specific application; maintain them and associated parts in good condition.
- Turn face away from valve outlet when opening cylinder valve.
- Keep protective cap in place over valve except when cylinder is in use or connected for use.
- Read and follow instructions on compressed gas cylinders, associated equipment, and CGA publication P-1 listed in Safety Standards.

## 1-3. Additional Symbols For Installation, Operation, And Maintenance



### FIRE OR EXPLOSION hazard.

- Do not install or place unit on, over, or near combustible surfaces.
- Do not install unit near flammables.
- Do not overload building wiring – be sure power supply system is properly sized, rated, and protected to handle this unit.



### MOVING PARTS can cause injury.

- Keep away from moving parts such as fans.
- Keep all doors, panels, covers, and guards closed and securely in place.



### FALLING UNIT can cause injury.

- Use lifting eye to lift unit only, NOT running gear, gas cylinders, or any other accessories.
- Use equipment of adequate capacity to lift and support unit.
- If using lift forks to move unit, be sure forks are long enough to extend beyond opposite side of unit.



### OVERUSE can cause OVERHEATING

- Allow cooling period; follow rated duty cycle.
- Reduce current or reduce duty cycle before starting to weld again.
- Do not block or filter airflow to unit.



### STATIC (ESD) can damage PC boards.

- Put on grounded wrist strap BEFORE handling boards or parts.
- Use proper static-proof bags and boxes to store, move, or ship PC boards.



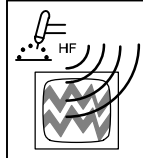
### MOVING PARTS can cause injury.

- Keep away from moving parts.
- Keep away from pinch points such as drive rolls.



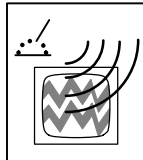
### WELDING WIRE can cause injury.

- Do not press gun trigger until instructed to do so.
- Do not point gun toward any part of the body, other people, or any metal when threading welding wire.



### H.F. RADIATION can cause interference.

- High-frequency (H.F.) can interfere with radio navigation, safety services, computers, and communications equipment.
- Have only qualified persons familiar with electronic equipment perform this installation.
- The user is responsible for having a qualified electrician promptly correct any interference problem resulting from the installation.
- If notified by the FCC about interference, stop using the equipment at once.
- Have the installation regularly checked and maintained.
- Keep high-frequency source doors and panels tightly shut, keep spark gaps at correct setting, and use grounding and shielding to minimize the possibility of interference.



### ARC WELDING can cause interference.

- Electromagnetic energy can interfere with sensitive electronic equipment such as computers and computer-driven equipment such as robots.
- Be sure all equipment in the welding area is electromagnetically compatible.
- To reduce possible interference, keep weld cables as short as possible, close together, and down low, such as on the floor.
- Locate welding operation 100 meters from any sensitive electronic equipment.
- Be sure this welding machine is installed and grounded according to this manual.
- If interference still occurs, the user must take extra measures such as moving the welding machine, using shielded cables, using line filters, or shielding the work area.

## 1-4. Principal Safety Standards

*Safety in Welding and Cutting*, ANSI Standard Z49.1, from American Welding Society, 550 N.W. LeJeune Rd, Miami FL 33126

*Safety and Health Standards*, OSHA 29 CFR 1910, from Superintendent of Documents, U.S. Government Printing Office, Washington, D.C. 20402.

*Recommended Safe Practices for the Preparation for Welding and Cutting of Containers That Have Held Hazardous Substances*, American Welding Society Standard AWS F4.1, from American Welding Society, 550 N.W. LeJeune Rd, Miami, FL 33126

*National Electrical Code*, NFPA Standard 70, from National Fire Protection Association, Batterymarch Park, Quincy, MA 02269.

*Safe Handling of Compressed Gases in Cylinders*, CGA Pamphlet P-1, from Compressed Gas Association, 1235 Jefferson Davis Highway, Suite 501, Arlington, VA 22202.

*Code for Safety in Welding and Cutting*, CSA Standard W117.2, from Canadian Standards Association, Standards Sales, 178 Rexdale Boulevard, Rexdale, Ontario, Canada M9W 1R3.

*Safe Practices For Occupation And Educational Eye And Face Protection*, ANSI Standard Z87.1, from American National Standards Institute, 1430 Broadway, New York, NY 10018.

*Cutting And Welding Processes*, NFPA Standard 51B, from National Fire Protection Association, Batterymarch Park, Quincy, MA 02269.

## 1-5. EMF Information

### Considerations About Welding And The Effects Of Low Frequency Electric And Magnetic Fields

Welding current, as it flows through welding cables, will cause electromagnetic fields. There has been and still is some concern about such fields. However, after examining more than 500 studies spanning 17 years of research, a special blue ribbon committee of the National Research Council concluded that: "The body of evidence, in the committee's judgment, has not demonstrated that exposure to power-frequency electric and magnetic fields is a human-health hazard." However, studies are still going forth and evidence continues to be examined. Until the final conclusions of the research are reached, you may wish to minimize your exposure to electromagnetic fields when welding or cutting.

To reduce magnetic fields in the workplace, use the following procedures:

1. Keep cables close together by twisting or taping them.
2. Arrange cables to one side and away from the operator.
3. Do not coil or drape cables around your body.
4. Keep welding power source and cables as far away from operator as practical.
5. Connect work clamp to workpiece as close to the weld as possible.

#### **About Pacemakers:**

Pacemaker wearers consult your doctor first. If cleared by your doctor, then following the above procedures is recommended.



# SECTION 1 – CONSIGNES DE SECURITE – LIRE AVANT UTILISATION

som \_nd\_fre 4/98

## 1-1. Signification des symboles



Signifie Mise en garde ! Soyez vigilant ! Cette procédure présente des risques de danger ! Ceux-ci sont identifiés par des symboles adjacents aux directives.

### ▲ Identifie un message de sécurité particulier.

Signifie NOTA ; n'est pas relatif à la sécurité.



Ce groupe de symboles signifie Mise en garde ! Soyez vigilant ! Il y a des risques de danger reliés aux CHOCS ÉLECTRIQUES, aux PIÈCES EN MOUVEMENT et aux PIÈCES CHAUDES. Reportez-vous aux symboles et aux directives ci-dessous afin de connaître les mesures à prendre pour éviter tout danger.

## 1-2. Dangers relatifs au soudage à l'arc

▲ Les symboles présentés ci-après sont utilisés tout au long du présent manuel pour attirer votre attention et identifier les risques de danger. Lorsque vous voyez un symbole, soyez vigilant et suivez les directives mentionnées afin d'éviter tout danger. Les consignes de sécurité présentées ci-après ne font que résumer l'information contenue dans les normes de sécurité énumérées à la section 1-4. Veuillez lire et respecter toutes ces normes de sécurité.

▲ L'installation, l'utilisation, l'entretien et les réparations ne doivent être confiés qu'à des personnes qualifiées.

▲ Au cours de l'utilisation, tenir toute personne à l'écart et plus particulièrement les enfants.



### UN CHOC ÉLECTRIQUE peut tuer.

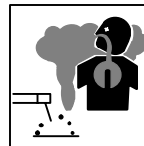
Un simple contact avec des pièces électriques peut provoquer une électrocution ou des blessures graves. L'électrode et le circuit de soudage sont sous tension dès que l'appareil est sur ON. Le circuit d'entrée et les circuits internes de l'appareil sont également sous tension à ce moment-là. En soudage semi-automatique ou automatique, le fil, le dévidoir, le logement des galets d'entraînement et les pièces métalliques en contact avec le fil de soudage sont sous tension. Des matériels mal installés ou mal mis à la terre présentent un danger.

- Ne jamais toucher les pièces électriques sous tension.
- Porter des gants et des vêtements de protection secs ne comportant pas de trous.
- S'isoler de la pièce et de la terre au moyen de tapis ou d'autres moyens isolants suffisamment grands pour empêcher le contact physique éventuel avec la pièce ou la terre.
- Ne pas se servir de source électrique à courant électrique dans les zones humides, dans les endroits confinés ou là où on risque de tomber.
- Se servir d'une source électrique à courant électrique UNIQUEMENT si le procédé de soudage le demande.
- Si l'utilisation d'une source électrique à courant électrique s'avère nécessaire, se servir de la fonction de télécommande si l'appareil en est équipé.
- Couper l'alimentation ou arrêter le moteur avant de procéder à l'installation, à la réparation ou à l'entretien de l'appareil. Déverrouiller l'alimentation selon la norme OSHA 29 CFR 1910.147 (voir normes de sécurité).
- Installer et mettre à la terre correctement cet appareil conformément à son manuel d'utilisation et aux codes nationaux, provinciaux et municipaux.
- Toujours vérifier la terre du cordon d'alimentation – Vérifier et s'assurer que le fil de terre du cordon d'alimentation est bien raccordé à la borne de terre du sectionneur ou que la fiche du cordon est raccordée à une prise correctement mise à la terre.
- En effectuant les raccordements d'entrée fixer d'abord le conducteur de mise à la terre approprié et contre-vérifier les connexions.
- Vérifier fréquemment le cordon d'alimentation pour voir s'il n'est pas endommagé ou dénudé – remplacer le cordon immédiatement s'il est endommagé – un câble dénudé peut provoquer une électrocution.
- Mettre l'appareil hors tension quand on ne l'utilise pas.
- Ne pas utiliser des câbles usés, endommagés, de grosseur insuffisante ou mal épissés.
- Ne pas enrouler les câbles autour du corps.
- Si la pièce soudée doit être mise à la terre, le faire directement avec un câble distinct.
- Ne pas toucher l'électrode quand on est en contact avec la pièce, la terre ou une électrode provenant d'une autre machine.

- N'utiliser qu'un matériel en bon état. Réparer ou remplacer sur-le-champ les pièces endommagées. Entretien l'appareil conformément à ce manuel.
- Porter un harnais de sécurité quand on travaille en hauteur.
- Maintenir solidement en place tous les panneaux et capots.
- Fixer le câble de retour de façon à obtenir un bon contact métal-métal avec la pièce à souder ou la table de travail, le plus près possible de la soudure.
- Isoler la pince de masse quand pas mis à la pièce pour éviter le contact avec tout objet métallique.

### Il y a DU COURANT CONTINU IMPORTANT dans les convertisseurs après la suppression de l'alimentation électrique.

- Arrêter les convertisseurs, débrancher le courant électrique, et décharger les condensateurs d'alimentation selon les instructions indiquées dans la partie entretien avant de toucher les pièces.



### LES FUMÉES ET LES GAZ peuvent être dangereux.

Le soudage génère des fumées et des gaz. Leur inhalation peut être dangereuse pour votre santé.

- Eloigner votre tête des fumées. Ne pas respirer les fumées.
- A l'intérieur, ventiler la zone et/ou utiliser un échappement au niveau de l'arc pour l'évacuation des fumées et des gaz de soudage.
- Si la ventilation est insuffisante, utiliser un respirateur à alimentation d'air homologué.
- Lire les spécifications de sécurité des matériaux (MSDSs) et les instructions du fabricant concernant les métaux, les consommables, les revêtements, les nettoyants et les dégraissants.
- Travailler dans un espace fermé seulement s'il est bien ventilé ou en portant un respirateur à alimentation d'air. Demander toujours à un surveillant dûment formé de se tenir à proximité. Des fumées et des gaz de soudage peuvent déplacer l'air et abaisser le niveau d'oxygène provoquant des blessures ou des accidents mortels. S'assurer que l'air de respiration ne présente aucun danger.
- Ne pas souder dans des endroits situés à proximité d'opérations de dégraissage, de nettoyage ou de pulvérisation. La chaleur et les rayons de l'arc peuvent réagir en présence de vapeurs et former des gaz hautement toxiques et irritants.
- Ne pas souder des métaux munis d'un revêtement, tels que l'acier galvanisé, plaqué en plomb ou au cadmium à moins que le revêtement n'ait été enlevé dans la zone de soudure, que l'endroit soit bien ventilé, et si nécessaire, en portant un respirateur à alimentation d'air. Les revêtements et tous les métaux renfermant ces éléments peuvent dégager des fumées toxiques en cas de soudage.



## LES RAYONS DE L'ARC peuvent provoquer des brûlures dans les yeux et sur la peau.

Le rayonnement de l'arc du procédé de soudage génère des rayons visibles et invisibles intenses (ultraviolets et infrarouges) susceptibles de provoquer des brûlures dans les yeux et sur la peau. Des étincelles sont projetées pendant le soudage.

- Porter un casque de soudage muni d'un écran de filtre approprié pour protéger votre visage et vos yeux pendant le soudage ou pour regarder (voir ANSI Z49.1 et Z87.1 énuméré dans les normes de sécurité).
- Porter des protections approuvés pour les oreilles si le niveau sonore est trop élevé.
- Utiliser des écrans ou des barrières pour protéger des tiers de l'éclair et de l'éblouissement; demander aux autres personnes de ne pas regarder l'arc.
- Porter des vêtements de protection constitué dans une matière durable, résistant au feu (cuir ou laine) et une protection des pieds.



## LE SOUDAGE peut provoquer un incendie ou une explosion.

Le soudage effectué sur des conteneurs fermés tels que des réservoirs, tambours ou des conduites peut provoquer leur éclatement. Des étincelles peuvent être projetées de l'arc de soudure. La projection d'étincelles, des pièces chaudes et des équipements chauds peut provoquer des incendies et des brûlures. Le contact accidentel de l'électrode avec des objets métalliques peut provoquer des étincelles, une explosion, un surchauffement ou un incendie. Avant de commencer le soudage, vérifier et s'assurer que l'endroit ne présente pas de danger.

- Se protéger et d'autres personnes de la projection d'étincelles et de métal chaud.
- Ne pas souder dans un endroit là où des étincelles peuvent tomber sur des substances inflammables.
- Déplacer toutes les substances inflammables à une distance de 10,7 m de l'arc de soudage. En cas d'impossibilité les recouvrir soigneusement avec des protections homologués.
- Des étincelles et des matériaux chauds du soudage peuvent facilement passer dans d'autres zones en traversant de petites fissures et des ouvertures.
- Surveiller tout déclenchement d'incendie et tenir un extincteur à proximité.
- Le soudage effectué sur un plafond, plancher, paroi ou séparation peut déclencher un incendie de l'autre côté.
- Ne pas effectuer le soudage sur des conteneurs fermés tels que des réservoirs, tambours, ou conduites, à moins qu'ils n'aient été préparés correctement conformément à AWS F4.1 (voir les normes de sécurité).
- Brancher le câble sur la pièce le plus près possible de la zone de soudage pour éviter le transport du courant sur une longue distance par des chemins inconnus éventuels en provoquant des risques d'électrocution et d'incendie.
- Ne pas utiliser le poste de soudage pour dégelier des conduites gelées.
- En cas de non utilisation, enlever la baguette d'électrode du porte-électrode ou couper le fil à la pointe de contact.
- Porter des vêtements de protection dépourvus d'huile tels que des gants en cuir, une chemise en matériau lourd, des pantalons sans revers, des chaussures hautes et un couvre chef.
- Avant de souder, retirer toute substance combustible de vos poches telles qu'un allumeur au butane ou des allumettes.



## DES PARTICULES VOLANTES peuvent blesser les yeux.

- Le soudage, l'écaillage, le passage de la pièce à la brosse en fil de fer, et le meulage génèrent des étincelles et des particules métalliques volantes. Pendant la période de refroidissement des soudures, elles risquent de projeter du laitier.
- Porter des lunettes de sécurité avec écrans latéraux ou un écran facial.



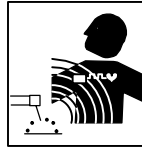
## LES ACCUMULATIONS DE GAZ risquent de provoquer des blessures ou même la mort.

- Fermer l'alimentation du gaz protecteur en cas de non utilisation.
- Veiller toujours à bien aérer les espaces confinés ou se servir d'un respirateur d'adduction d'air homologué.



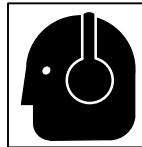
## DES PIÈCES CHAUDES peuvent provoquer des brûlures graves.

- Ne pas toucher des parties chaudes à mains nues
- Prévoir une période de refroidissement avant d'utiliser le pistolet ou la torche.



## LES CHAMPS MAGNÉTIQUES peuvent affecter les stimulateurs cardiaques.

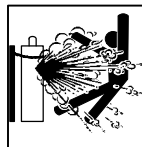
- Porteurs de stimulateur cardiaque, restez à distance.
- Les porteurs d'un stimulateur cardiaque doivent d'abord consulter leur médecin avant de s'approcher des opérations de soudage à l'arc, de gougeage ou de soudage par points.



## LE BRUIT peut affecter l'ouïe.

Le bruit des processus et des équipements peut affecter l'ouïe.

- Porter des protections approuvés pour les oreilles si le niveau sonore est trop élevé.



## Si des BOUTEILLES sont endommagées, elles pourront exploser.

Des bouteilles de gaz protecteur contiennent du gaz sous haute pression. Si une bouteille est endommagée, elle peut exploser. Du fait que les bouteilles de gaz font normalement partie du procédé de soudage, les manipuler avec précaution.

- Protéger les bouteilles de gaz comprimé d'une chaleur excessive, des chocs mécaniques, du laitier, des flammes ouvertes, des étincelles et des arcs.
- Placer les bouteilles debout en les fixant dans un support stationnaire ou dans un porte-bouteilles pour les empêcher de tomber ou de se renverser.
- Tenir les bouteilles éloignées des circuits de soudage ou autres circuits électriques.
- Ne jamais placer une torche de soudage sur une bouteille à gaz.
- Une électrode de soudage ne doit jamais entrer en contact avec une bouteille.
- Ne jamais souder une bouteille pressurisée – risque d'explosion.
- Utiliser seulement des bouteilles de gaz protecteur, régulateurs, tuyaux et raccords convenables pour cette application spécifique; les maintenir ainsi que les éléments associés en bon état.
- Ne pas tenir la tête en face de la sortie en ouvrant la soupape de la bouteille.
- Maintenir le chapeau de protection sur la soupape, sauf en cas d'utilisation ou de branchement de la bouteille.
- Lire et suivre les instructions concernant les bouteilles de gaz comprimé, les équipements associés et les publications P-1 CGA énumérées dans les normes de sécurité.

## 1-3. Dangers supplémentaires en relation avec l'installation, le fonctionnement et la maintenance



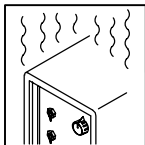
### Risque D'INCENDIE OU D'EXPLOSION.

- Ne pas placer l'appareil sur, au-dessus ou à proximité de surfaces inflammables.
- Ne pas installer l'appareil à proximité de produits inflammables
- Ne pas surcharger l'installation électrique – s'assurer que l'alimentation est correctement dimensionnée et protégée avant de mettre l'appareil en service.



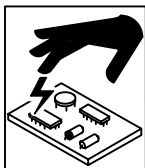
### LA CHUTE DE L'APPAREIL peut blesser.

- Utiliser l'anneau de levage uniquement pour soulever l'appareil, NON PAS les chariot, les bouteilles de gaz ou tout autre accessoire.
- Utiliser un engin d'une capacité appropriée pour soulever l'appareil.
- En utilisant des fourches de levage pour déplacer l'unité, s'assurer que les fourches sont suffisamment longues pour dépasser du côté opposé de l'appareil.



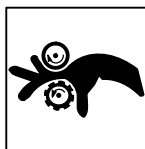
### L'EMPLOI EXCESSIF peut SURCHAUFFER L'ÉQUIPEMENT.

- Prévoir une période de refroidissement, respecter le cycle opératoire nominal.
- Réduire le courant ou le cycle opératoire avant de recommencer le soudage.
- Ne pas obstruer les passages d'air du poste.



### LES CHARGES ÉLECTROSTATIQUES peuvent endommager les circuits imprimés.

- Établir la connexion avec la barrette de terre avant de manipuler des cartes ou des pièces.
- Utiliser des pochettes et des boîtes antistatiques pour stocker, déplacer ou expédier des cartes de circuits imprimés.



### DES ORGANES MOBILES peuvent provoquer des blessures.

- Ne pas s'approcher des organes mobiles.
- Ne pas s'approcher des points de coincement tels que des rouleaux de commande.



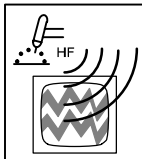
### LES FILS DE SOUDAGE peuvent provoquer des blessures.

- Ne pas appuyer sur la gachette avant d'en avoir reçu l'instruction.
- Ne pas diriger le pistolet vers soi, d'autres personnes ou toute pièce mécanique en engageant le fil de soudage.



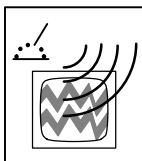
### DES ORGANES MOBILES peuvent provoquer des blessures.

- Rester à l'écart des organes mobiles comme le ventilateur.
- Maintenir fermés et fixement en place les portes, panneaux, recouvrements et dispositifs de protection.



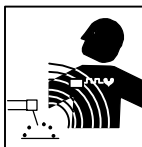
### LE RAYONNEMENT HAUTE FRÉQUENCE (H.F.) risque de provoquer des interférences.

- Le rayonnement haute fréquence peut provoquer des interférences avec les équipements de radio-navigation et de communication, les services de sécurité et les ordinateurs.
- Demander seulement à des personnes qualifiées familiarisées avec des équipements électroniques de faire fonctionner l'installation.
- L'utilisateur est tenu de faire corriger rapidement par un électricien qualifié les interférences résultant de l'installation.
- Si le FCC signale des interférences, arrêter immédiatement l'appareil.
- Effectuer régulièrement le contrôle et l'entretien de l'installation.
- Maintenir soigneusement fermés les portes et les panneaux des sources de haute fréquence, maintenir les éclateurs à une distance correcte et utiliser une terre et un blindage pour réduire les interférences éventuelles.



### LE SOUDAGE À L'ARC risque de provoquer des interférences.

- L'énergie électromagnétique risque de provoquer des interférences pour l'équipement électronique sensible tel que les ordinateurs et l'équipement commandé par ordinateur tel que les robots.
- Veiller à ce que tout l'équipement de la zone de soudage soit compatible électromagnétiquement.
- Pour réduire la possibilité d'interférence, maintenir les câbles de soudage aussi courts que possible, les grouper, et les poser aussi bas que possible (ex. par terre).
- Veiller à souder à une distance de 100 mètres de tout équipement électronique sensible.
- Veiller à ce que ce poste de soudage soit posé et mis à la terre conformément à ce mode d'emploi.
- En cas d'interférences après avoir pris les mesures précédentes, il incombe à l'utilisateur de prendre des mesures supplémentaires telles que le déplacement du poste, l'utilisation de câbles blindés, l'utilisation de filtres de ligne ou la pose de protecteurs dans la zone de travail.



### LES CHAMPS MAGNÉTIQUES peuvent affecter les stimulateurs cardiaques.

- Porteurs de stimulateur cardiaque, restez à distance.
- Les porteurs d'un stimulateur cardiaque doivent d'abord consulter leur médecin avant de s'approcher des opérations de soudage à l'arc, de gougeage ou de soudage par points.

## 1-4. Principales normes de sécurité

*Safety in Welding and Cutting*, norme ANSI Z49.1, de l'American Welding Society, 550 N.W. Lejeune Rd, Miami FL 33126

*Safety and Health Standards*, OSHA 29 CFR 1910, du Superintendent of Documents, U.S. Government Printing Office, Washington, D.C. 20402.

*Recommended Safe Practice for the Preparation for Welding and Cutting of Containers That Have Held Hazardous Substances*, norme AWS F4.1, de l'American Welding Society, 550 N.W. Lejeune Rd, Miami FL 33126

*National Electrical Code*, NFPA Standard 70, de la National Fire Protection Association, Batterymarch Park, Quincy, MA 02269.

*Safe Handling of Compressed Gases in Cylinders*, CGA Pamphlet P-1, de la Compressed Gas Association, 1235 Jefferson Davis Highway, Suite 501, Arlington, VA 22202.

*Règles de sécurité en soudage, coupage et procédés connexes*, norme CSA W117.2, de l'Association canadienne de normalisation, vente de normes, 178 Rexdale Boulevard, Rexdale (Ontario) Canada M9W 1R3.

*Safe Practices For Occupation And Educational Eye And Face Protection*, norme ANSI Z87.1, de l'American National Standards Institute, 1430 Broadway, New York, NY 10018.

*Cutting and Welding Processes*, norme NFPA 51B, de la National Fire Protection Association, Batterymarch Park, Quincy, MA 02269.

## 1-5. Information sur les champs électromagnétiques

Données sur le soudage électrique et sur les effets, pour l'organisme, des champs magnétiques basse fréquence

Le courant de soudage, pendant son passage dans les câbles de soudage, causera des champs électromagnétiques. Il y a eu et il y a encore un certain souci à propos de tels champs. Cependant, après avoir examiné plus de 500 études qui ont été faites pendant une période de recherche de 17 ans, un comité spécial ruban bleu du National Research Council a conclu: "L'accumulation de preuves, suivant le jugement du comité, n'a pas démontré que l'exposition aux champs magnétiques et champs électriques à haute fréquence représente un risque à la santé humaine". Toutefois, des études sont toujours en cours et les preuves continuent à être examinées. En attendant que les conclusions finales de la recherche soient établies, il vous serait souhaitable de réduire votre exposition aux champs électromagnétiques pendant le soudage ou le coupage.

Afin de réduire les champs électromagnétiques dans l'environnement de travail, respecter les consignes suivantes :

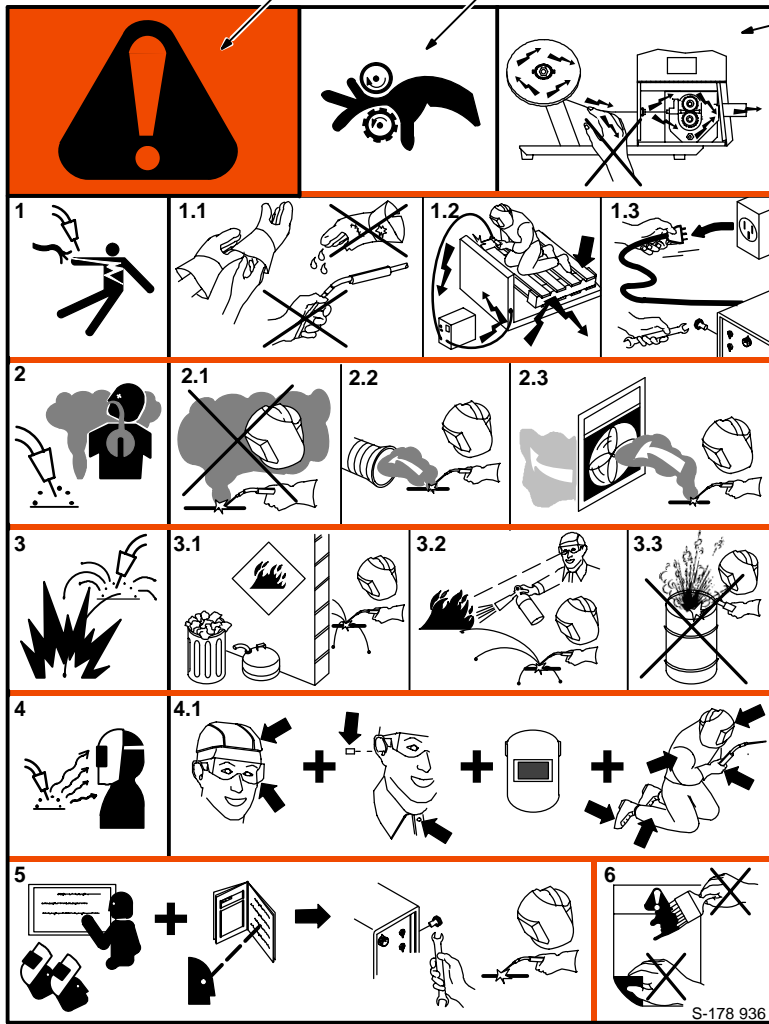
- 1 Garder les câbles ensemble en les torsadant ou en les attachant avec du ruban adhésif.
- 2 Mettre tous les câbles du côté opposé de l'opérateur.
- 3 Ne pas courber pas et ne pas entourer pas les câbles autour de votre corps.
- 4 Garder le poste de soudage et les câbles le plus loin possible de vous.
- 5 Relier la pince de masse le plus près possible de la zone de soudure.

### Consignes relatives aux stimulateurs cardiaques :

Les personnes qui portent un stimulateur cardiaque doivent avant tout consulter leur docteur. Si vous êtes déclaré apte par votre docteur, il est alors recommandé de respecter les consignes ci-dessus.

# SECTION 2 – DEFINITIONS

## 2-1. Warning Label Definitions



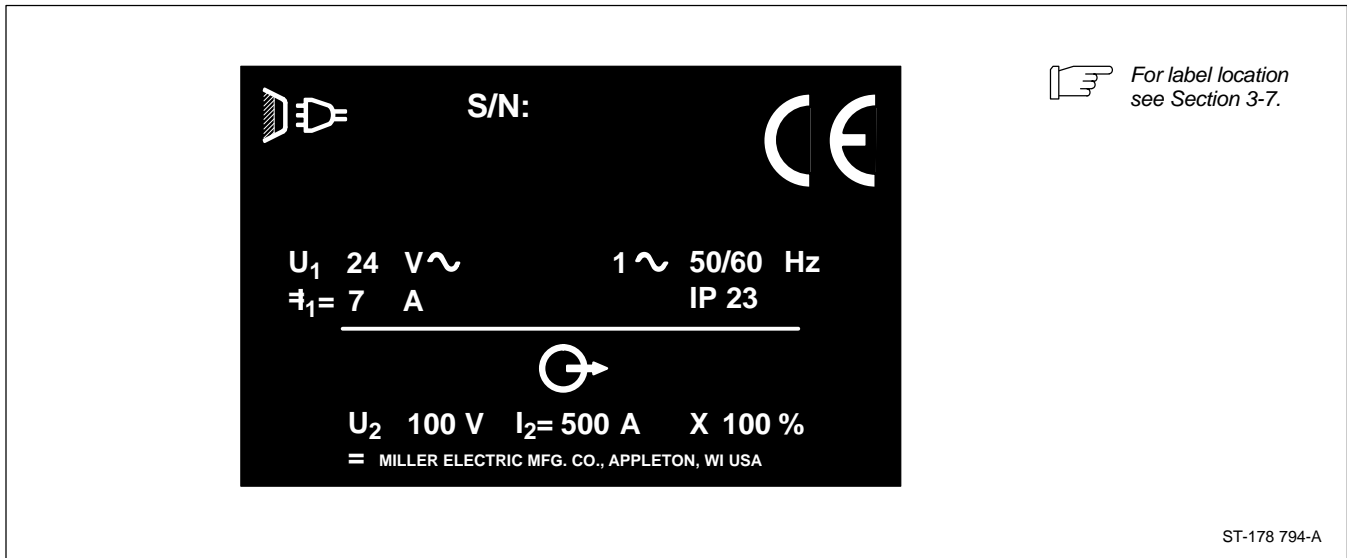
Warning! Watch Out! There are possible hazards as shown by the symbols.

Drive rolls can injure fingers

Welding wire and drive parts are at welding voltage during operation – keep hands and metal objects clear.

- 1 Electric shock can kill.
  - 1.1 Wear dry insulating gloves. Do not touch electrode with bare hand. Do not wear wet or damaged gloves.
  - 1.2 Protect yourself from electric shock by insulating yourself from work and ground.
  - 1.3 Disconnect input plug or power before working on machine.
- 2 Breathing welding fumes can be hazardous to your health.
  - 2.1 Keep your head out of the fumes.
  - 2.2 Use forced ventilation or local exhaust to remove the fumes.
  - 2.3 Use ventilating fan to remove fumes.
- 3 Welding sparks can cause explosion or fire.
  - 3.1 Keep flammables away from welding. Don't weld near flammables.
  - 3.2 Welding sparks can cause fires. Have a fire extinguisher nearby and have a watch person ready to use it.
  - 3.3 Do not weld on drums or any closed containers.
- 4 Arc rays can burn eyes and injure skin.
  - 4.1 Wear hat and safety glasses. Use ear protection and button shirt collar. Use welding helmet with correct shade of filter. Wear complete body protection.
- 5 Become trained and read the instructions before working on the machine or welding.
- 6 Do not remove or paint over (cover) the label.

## 2-2. Manufacturer's Rating Label For CE Products



## 2-3. Symbols And Definitions

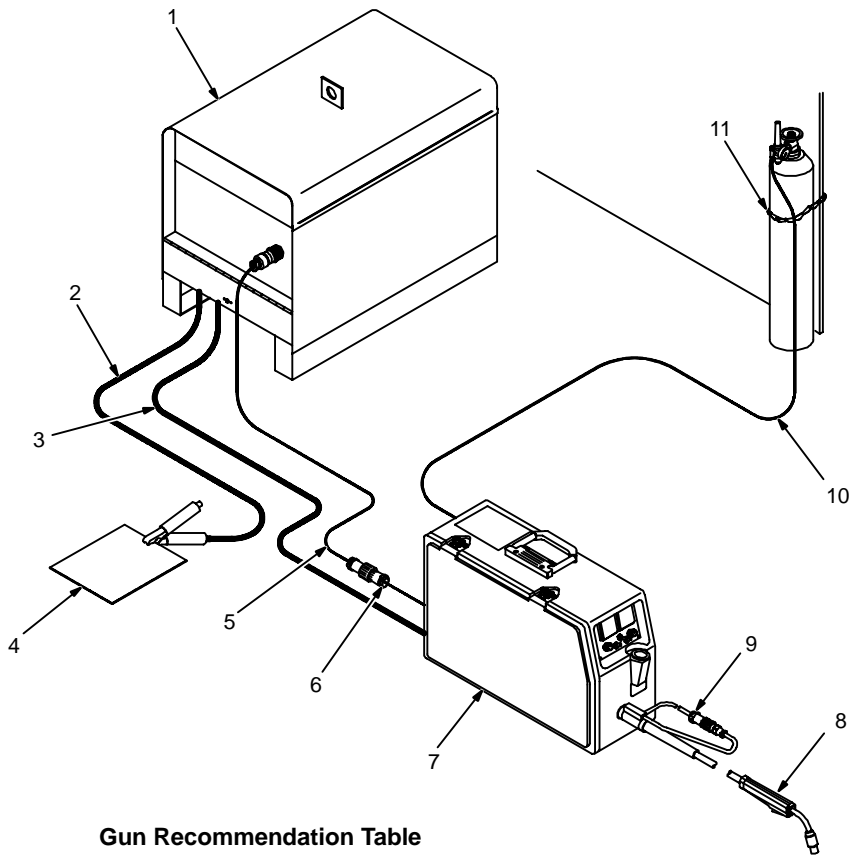
<b>NOTE</b>		<i>Some symbols are found only on CE products.</i>					
	Output		Alternating Current	<b>A</b>	Amperes	<b>V</b>	Volts
	Single Phase		Wire Feed	<b>Hz</b>	Hertz	<b>IP</b>	Degree Of Protection
<b>X</b>	Duty Cycle		Cold Jog (Inch) Towards Workpiece		Purge By Gas		Increase
	Read Instructions		Input	<b>U<sub>1</sub></b>	Primary Voltage	<b>U<sub>2</sub></b>	Conventional Load Voltage
	Line Connection	<b>I<sub>1</sub></b>	Primary Current	<b>I<sub>2</sub></b>	Rated Welding Current	<b>%</b>	Percent

# SECTION 3 – INSTALLATION

## 3-1. Specifications

Type of Input Power	Welding Power Source Type	Wire Feed Speed Range	Wire Diameter Range	Welding Circuit Rating	IP Rating	Overall Dimensions	Weight
24 Volts AC Single Phase 3.5 Amperes 50/60 Hz	Constant Voltage (CV) DC With 14-Pin And Contactor Control	75 to 630 ipm (1.9 To 16 mpm)	.023 To 5/64 in (0.6 To 2 mm)	100 Volts, 500 Amperes, 100% Duty Cycle	23	Length: 22-1/2 in (572 mm) Width: 8-3/4 in (222 mm) Height: 15-3/4 in (400 mm)	22 lb (10 kg)

### 3-2. Equipment Connection Diagram



- 1 Constant Voltage (CV) Welding Power Source Supplying 24 VAC To Feeder

Use optional PSA-2 adapter for power sources having only 115 VAC supply.

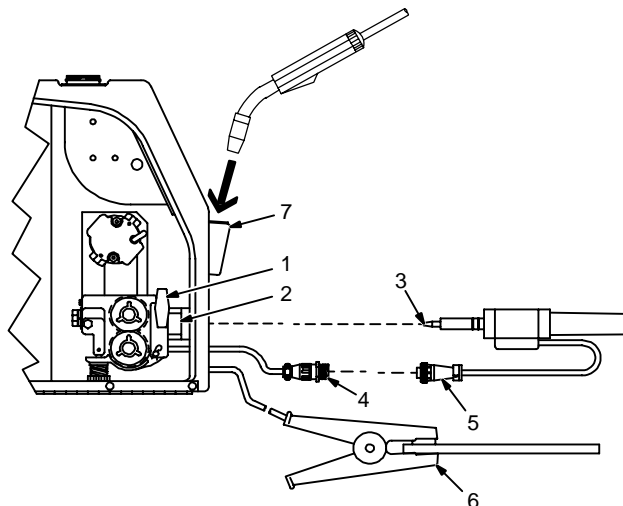
- 2 Negative (-) Weld Cable
- 3 Positive (+) Weld Cable
- 4 Workpiece
- 5 Interconnecting Cord (Customer Supplied)
- 6 14-Pin Plug And Cord
- 7 Wire Feeder
- 8 Gun
- 9 Gun Trigger Receptacle
- 10 Gas Hose
- 11 Gas Cylinder

**Gun Recommendation Table**

Process	Gun
GMAW – Hard or Cored Wires	M25 Or M40
FCAW – Self-Shielding Wires	GA-40GL

ST-155 765-A

### 3-3. Connecting Welding Gun And Optional Voltage Sensing Lead



- 1 Gun Securing Knob
- 2 Gun Block
- 3 Gun Outlet Wire Guide

Loosen knob, insert gun end into block. Position outlet wire guide as close as possible to drive rolls without touching. Tighten knob.

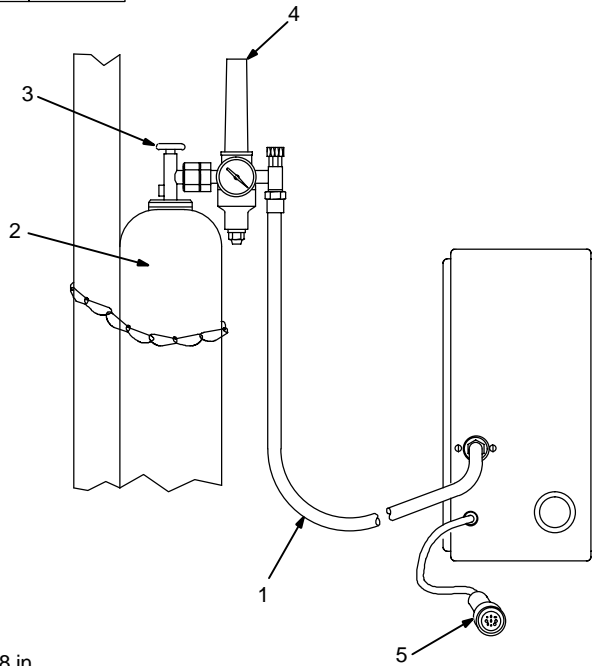
- 4 Gun Trigger Plug
- 5 Gun Trigger Receptacle
- 6 Voltage Sensing Clamp (Part Of Meter Option)

Connect to workpiece.

- 7 Gun Holder

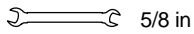
ST-800 588 / Ref. S-0621-C

### 3-4. Connecting Shielding Gas And 14-Pin Plug




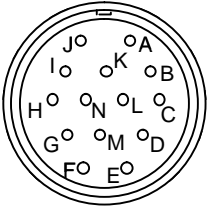
- 1 Gas Hose With 5/8-18 Right-hand Thread Fittings (Customer Supplied)
  - 2 Shielding Gas Cylinder
  - 3 Valve
  - 4 Flowmeter
- Close valve on cylinder when finished welding.
- 5 14-Pin Plug

Tools Needed:



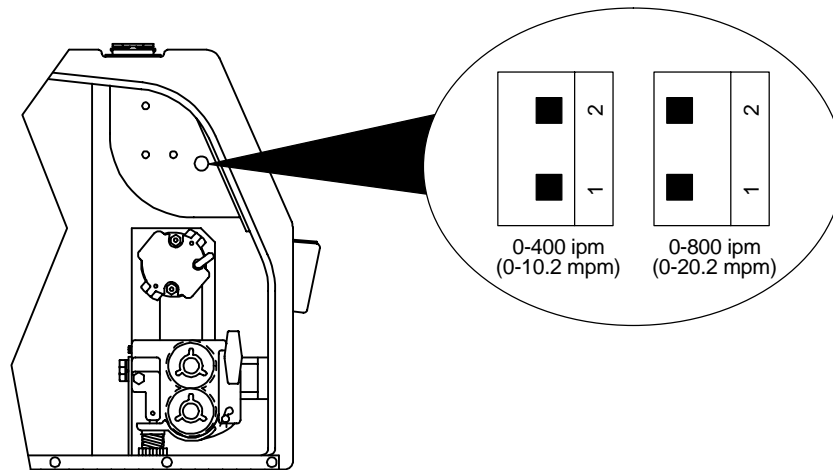
Ref. ST-801 155-A / Ref. ST-801 131

### 3-5. 14-Pin Plug Information

 REMOTE 14	Pin*	Pin Information
	A	24 volts ac with respect to socket G.
	B	Contact closure to A completes 24 volts ac contactor control circuit.
	G	Circuit common for 24 volts AC circuit.
	C	+10 volts dc output to remote control with respect to socket D.
	D	Remote control circuit common.
	E	0 to +10 volts dc input command signal from remote control with respect to socket D.

\*The remaining pins are not used.

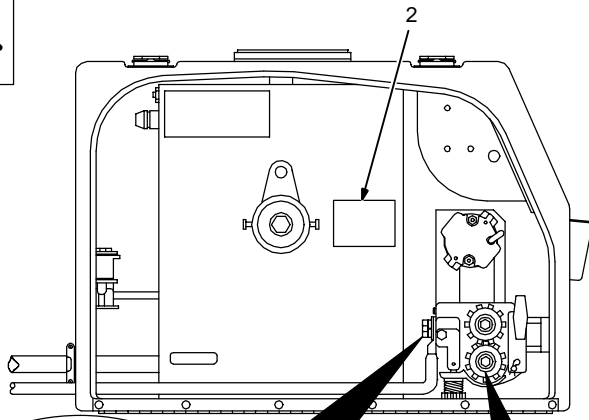
### 3-6. Setting Optional Wire Speed Meter Range Switch



Ref. ST-130 076



### 3-7. Connecting Weld Cable And Installing Drive Rolls



1 Weld Cable From Welding Power Source

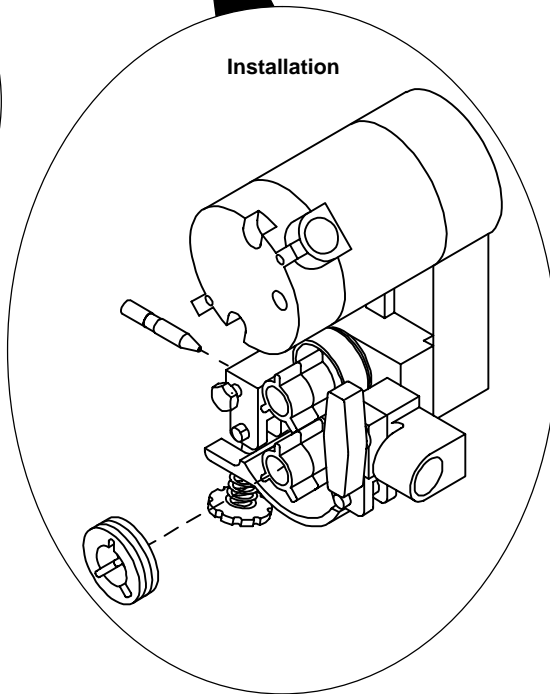
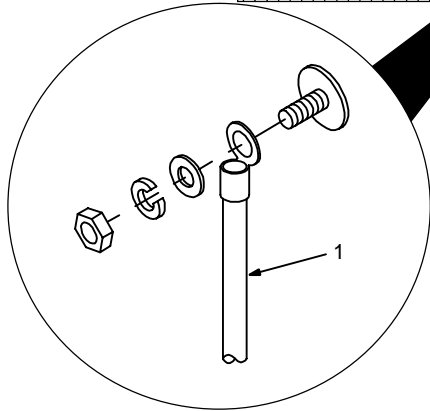
Route weld cable from power source through rear panel and connect to terminal on drive assembly.

Install and secure wire guide. Install drive rolls and turn drive roll nut one click.

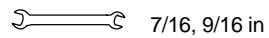
Only drive gear is adjustable. Turn adjustment screw in or out until groove in drive roll lines up with wire guide as shown.

Remove drive rolls, and clean grooves using a wire brush.

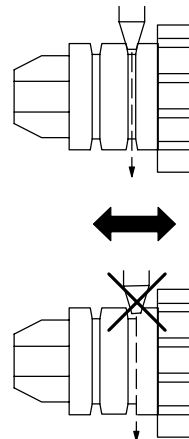
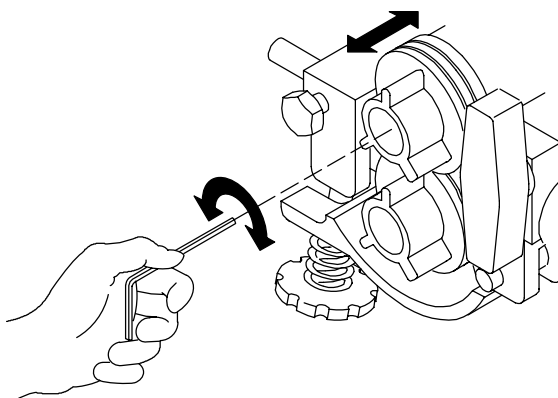
2 Rating Label Location



Tools Needed:

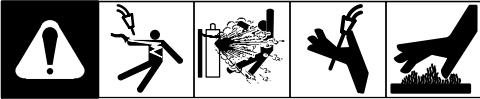


#### Alignment



ST-801 128-B / ST-162 079-A / Ref. S-180 967

### 3-8. Installing And Threading Welding Wire



Install wire spool.

Adjust tension screw so wire is taut when wire feed stops.

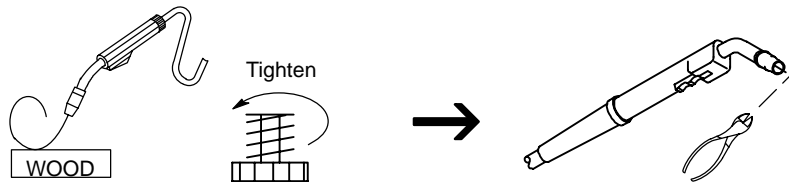
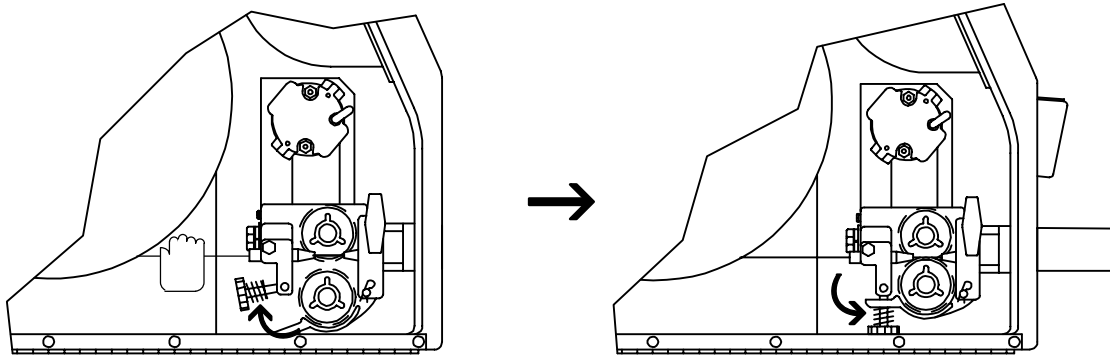
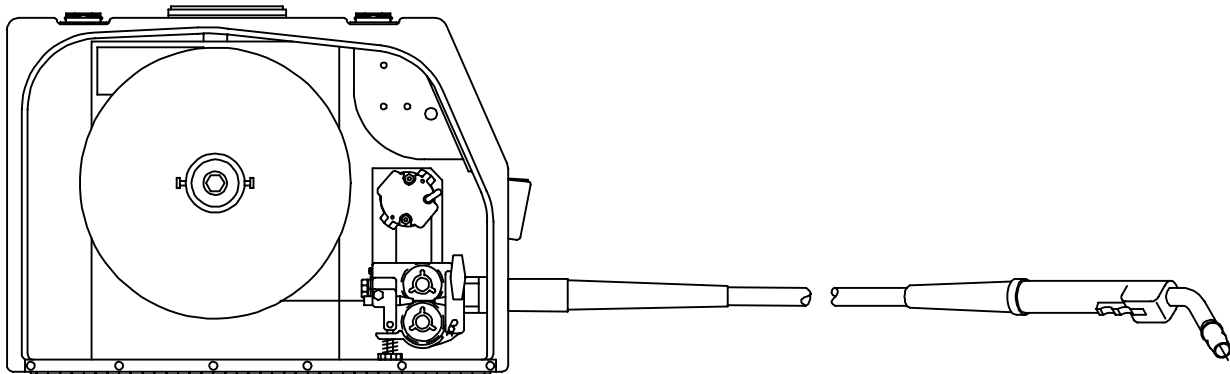
Lay gun cable out straight.

Open pressure assembly, hold wire tightly, and cut off end. Push wire through guides into gun.

Close and tighten pressure assembly. Press JOG button until wire comes out gun.

To adjust drive roll pressure, press gun trigger to feed wire against wood surface. Tighten knob so wire does not slip.

Cut off wire. Close door.



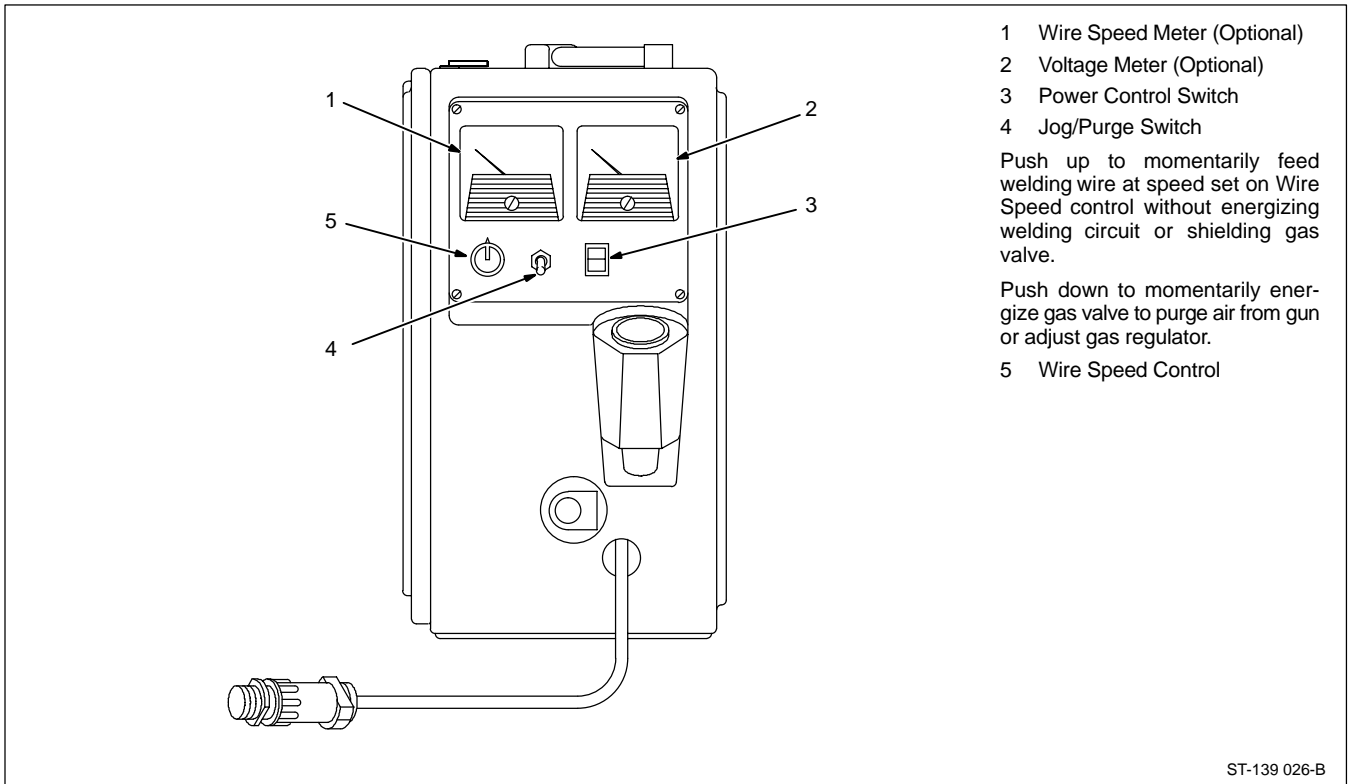
Tools Needed:



ST-156 377-B / Ref. ST-159 048-A / S-0627-A

# SECTION 4 – OPERATION

## 4-1. Controls

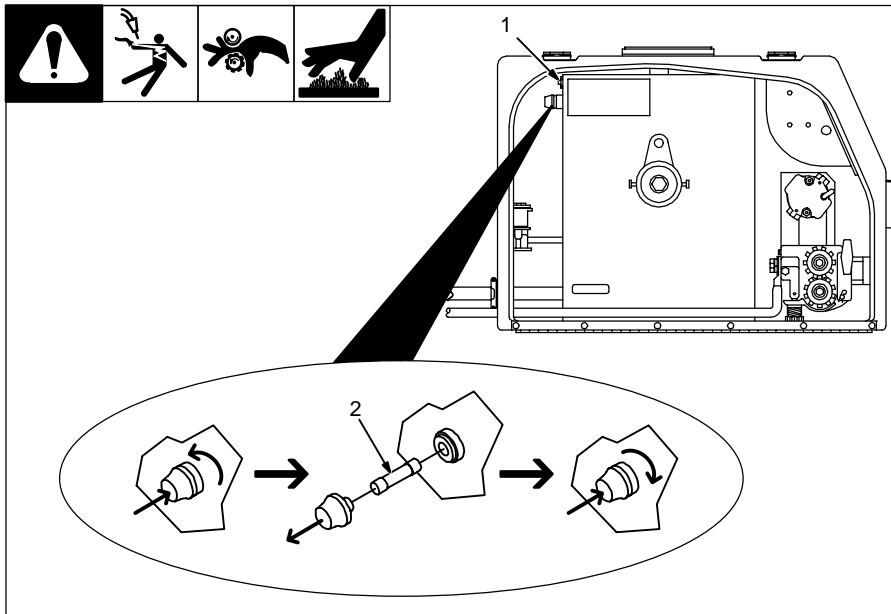


# SECTION 5 – MAINTENANCE & TROUBLESHOOTING

## 5-1. Routine Maintenance

					<b>Disconnect power before maintaining.</b>		<i>Maintain more often during severe conditions.</i>		
<b>3 Months</b>									
Replace Damaged Or Unreadable Labels		Clean And Tighten Weld Terminals			Replace Damaged Gas Hose				
Repair Or Replace Cracked Cables And Cords									
<b>6 Months</b>									
Clean Drive Rolls					Blow Out Or Vacuum Inside				

## 5-2. Overload Protection




**▲ Turn Off wire feeder and welding power source. Stop engine on welding generator.**

- 1 Circuit Breaker CB1
- 2 Fuse F1

CB1 and F1 protect wire feeder from overload. Correct problem and reset CB1 or replace F1.  
Close and latch door.

Ref. 800 586-B / Ref. 801 128-B

## 5-3. Troubleshooting Table

				
Trouble		Remedy		
Wire does not feed, unit completely inoperative.	Turn Power switch On.			
	Check fuse F1 and replace if necessary (see Section 5-2).			
	Check 14-pin plug PLG2 connections.			
	Check input power.			
Wire does not feed.	Check circuit breaker CB1 and fuse F1. (see Section 5-2).			
	Check gun trigger connection at wire feeder. Check gun trigger leads and trigger switch. See gun Owner's Manual.			
	Have Factory Authorized Service Agent check drive motor and control board PC1.			
Wire feeds erratically.	Readjust hub tension and drive roll pressure (see Section 3-8).			
	Use correct size drive roll (see Parts Listing).			
	Clean or replace dirty or worn drive roll (see Section 3-7).			
	Remove weld spatter around nozzle opening.			
	Replace contact tip or liner. See gun Owner's Manual.			
	Have Factory Authorized Service Agent check drive motor and control board PC1.			
Wire feeds when Jog switch is pressed but not when gun trigger is pressed.	Check gun trigger connection at wire feeder. Check gun trigger leads and trigger switch. See gun Owner's Manual.			
Wire feeds as soon as power is applied.	Check gun trigger. See gun Owner's Manual.			
Wire does not feed until trigger is pressed but continues to feed after trigger is released.	Check for short between gun trigger leads and weld cable. Repair or replace gun trigger leads.			
Gas valve rattles loudly and wire feeds slowly or erratically.	Check for short between gun trigger leads and weld cable. Repair or replace gun trigger leads.			
Gas does not flow; wire feeds.	Check gas valve and flowmeter.			

# SECTION 6 – ELECTRICAL DIAGRAM

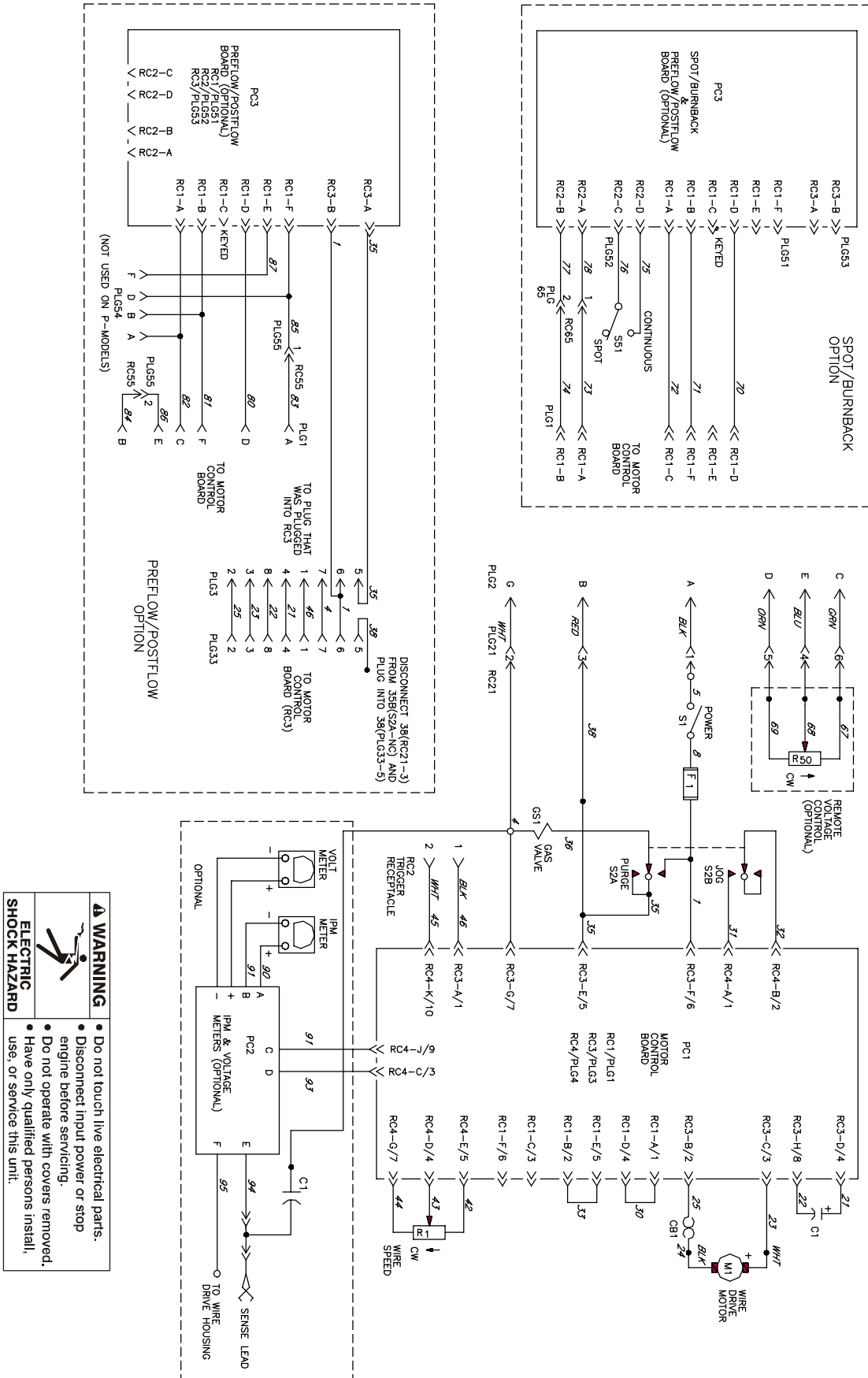
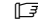
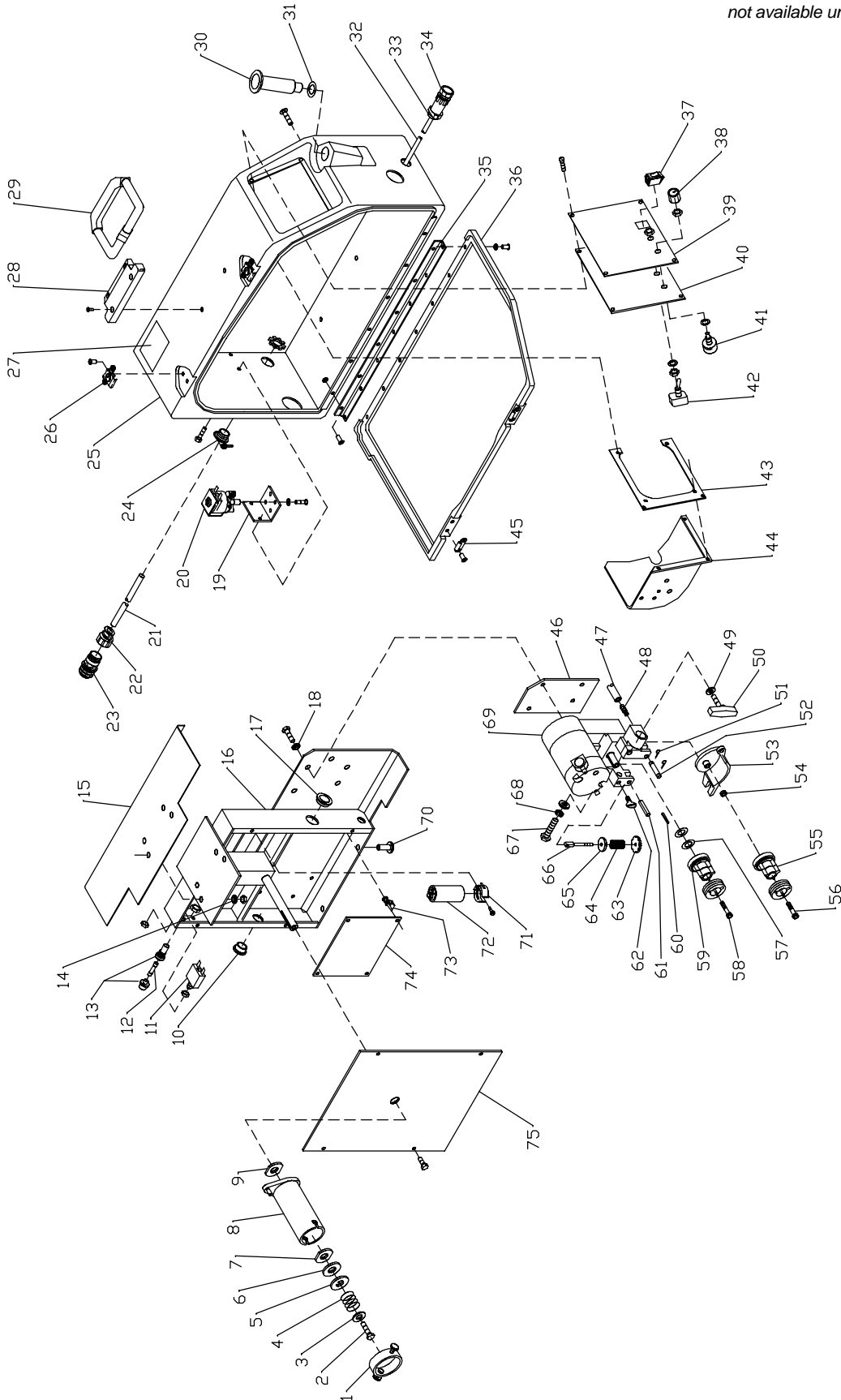


Figure 6-1. Circuit Diagram For Wire Feeder With Options

# SECTION 7 – PARTS LIST

 Hardware is common and not available unless listed.



See Table 7-1 For  
Drive Roll & Wire Guide Kits

Figure 7-1. Main Assembly

Item No.	Dia. Mkgs.	Part No.	Description	Quantity
----------	------------	----------	-------------	----------

**Figure 7-1. Main Assembly**

...	1	058 427	.. RING, retaining spool	1
...	2	601 965	.. SCREW, cap stl hexhd .375-16 x 1.000	1
...	3	602 243	.. WASHER, flat stl std .375	2
...	4	010 233	.. SPRING, cprsn .970 OD x .120 wire	1
...	5	057 971	.. WASHER, flat stl keyed 1.500dia	1
...	6	010 191	.. WASHER, fbr .656 ID x 1.500 OD	1
...	7	058 628	.. WASHER, brake stl	1
...	8	058 428	.. HUB, spool	1
...	9	058 424	.. WASHER, fbr (brake)	1
...	10	010 493	.. BUSHING, snap-in nyl .625 ID x .875mtg hole	1
...	11	CB1 011 310	.. CIRCUIT BREAKER, man reset 1P 3A 250V	1
...	12	F1 *011 116	.. FUSE, mintr gl slo-blo 7A	1
...	13	046 432	.. HOLDER, fuse mintr .250 x 1.250 panel mtg	1
...	14	602 238	.. WASHER, flat .203 ID x .50 OD x .048 T stl pld ANSI #10	1
...	15	181 514	.. SUPPORT CASE	1
...	16	181 519	.. CHASSIS, control box	1
...	17	010 494	.. BUSHING, snap-in nyl 1.375 ID x 1.750mtg hole	1
...	18	128 673	.. WASHER, shldr nyl .625 OD x .203 ID x .312dia shldr	4
...	19	126 310	.. BRACKET, mtg valve gas	1
...	20	GS1 125 785	.. VALVE, 24VAC 2 way custom port 1/8 orf	1
...	21	120 032	.. CABLE, port No. 18 6/c (order by ft)	2ft
...	22	079 739	.. CLAMP, cable strain relief	1
...	23	PLG2 141 162	.. HOUSING PLUG & PINS	1
...	24	010 610	.. CONNECTOR, clamp cable .500	1
...	25	+138 582	.. CASE, control/feeder	1
...	26	089 572	.. CATCH, link-lock	2
...	27	178 936	.. LABEL, warning general precautionary	1
...	28	126 415	.. CLAMP, saddle	1
...	29	126 416	.. HANDLE	1
...	30	090 099	.. INSULATOR, gun holder	1
...	31	044 800	.. WASHER, spring grip locking for .750 shaft	1
...	32	049 455	.. CABLE, port No. 18 2/c (order by ft)	3ft
...	33	048 834	.. CLAMP, cable strain relief sz 11	1
...	34	RC3 080 328	.. RECEPTACLE w/SOCKETS	1
...		087 318	.. CLAMP, stl cush 1.000dia	1
...		010 141	.. CLAMP, nyl .250	1
...	35	126 308	.. HINGE	1
...	36	+184 422	.. COVER, control/feeder	1
...	37	S1 111 997	.. SWITCH, rocker SPST 10A 250VAC	1
...	38	097 922	.. KNOB, pointer	1
...		057 359	.. BLANK, snap-in nyl .375mtg hole	1
...	39		.. NAMEPLATE, (order by model and serial number)	1
...	40	176 177	.. PANEL, front	1
...	41	R1 073 562	.. POTENTIOMETER, C sltd sft 1/T 2W 10K ohm	1
...	42	S2 134 846	.. SWITCH, tgl SPTT 6A 125VAC	1
...	43	131 604	.. BRACKET, cover	1
...	44	168 246	.. COVER, control/feeder	1
...	45	089 573	.. PLATE, keeper link-lock	2
...	46	089 556	.. INSULATION, motor	1
...	47	134 834	.. HOSE, SAE .187 ID x .410 OD (order by ft)	2ft
...	48	144 172	.. FITTING, brs barbed M 3/16tbg x .250-20	1
...	49	604 538	.. WASHER, flat stl SAE .312	1
...	50	124 778	.. KNOB, plstc T 1.000 lg x .312-18 x 2.000 bar	1
...	51	151 828	.. PIN, cotter hair .054 x .750	2
...	52	089 555	.. PIN, hinge	1
...	53	166 338	.. LEVER, mtg pressure gear	1

Item No.	Dia. Mkgs.	Part No.	Description	Quantity
----------	------------	----------	-------------	----------

**Figure 7-1. Main Assembly (Continued)**

...	54	166 072	.. SPACER, gear	1
...	55	172 075	.. CARRIER, drive roll w/components 24 pitch	1
...	56	602 009	.. SCREW, .250-20 x 1.25 sochd-hex gr 8	1
...	57	079 625	.. WASHER, spring stl .500	2
...	58	121 271	.. SCREW, .250-20 x .500 sochd-hex gr 8	1
...	59	172 076	.. CARRIER, drive roll w/components keyed 24 pitch	1
...	60	092 865	.. KEY, stl .1215/.1230 x .750	1
...	61	010 224	.. PIN, spring cs .187 x 1.000	1
...	62	054 263	.. SCREW, thumb stl .250-20 X .500	1
...	63	085 243	.. KNOB, adj tension	1
...	64	089 477	.. SPRING, cprsn .770 OD x .100 wire	1
...	65	085 244	.. WASHER, cupped stl .328 ID	1
...	66	089 562	.. FASTENER, pinned	1
...	67	601 964	.. SCREW, cap stl hexhd .375-16 x .750	1
...	68	602 213	.. WASHER, lock stl split .375	1
...	69	MI 160 816	.. MOTOR, 24VDC 2.2A 114RPM (consisting of)	1
...		095 564	.. BRUSH, motor carbon	1
...		095 565	.. CAP, brush motor	1
...	70	081 895	.. NUT, well 10-32 blind fastener	4
...	71	087 111	.. CLAMP, capacitor 1.375 lg	1
...	72	C1 177 360	.. CAPACITOR, elctlt 2000uf 45VDC	1
...	73	134 201	.. STAND-OFF SUPPORT, PC card	2
...	74	PC1 176 286	.. CIRCUIT CARD, motor control	1
...		PLG3 115 092	.. HOUSING PLUG & SOCKETS	1
...		PLG1,21 115 093	.. HOUSING PLUG & SOCKETS	2
...		PLG4 115 091	.. HOUSING PLUG & SOCKETS	1
...		RC21 131 059	.. HOUSING PLUG & PINS	1
...	75	181 513	.. COVER, PC card	1
...		126 788	.. EDGE TRIM, 61-1/16-B	3

**Optional Equipment**

...		121 570	.. METER KIT, volt (consisting of)	1
...		091 961	.. METER, volt DC-0-10 scale	1
...		091 962	.. METER, IPM 0-10 MV	1
...	PC2	123 289	.. CIRCUIT CARD, meter	1
...		601 222	.. CLAMP, universal 50A	1
...		600 399	.. WIRE, lead motor 14ga (order by ft)	15ft
...		603 106	.. HOSE, nprn brd No. 1 x .250 ID (order by ft)	1ft
...	C1	207 564	.. ASSEMBLY, Capacitor	1

\*Recommended Spare Parts.

+When ordering a component originally displaying a precautionary label, the label should also be ordered.

**To maintain the factory original performance of your equipment, use only Manufacturer's Suggested Replacement Parts. Model and serial number required when ordering parts from your local distributor.**



**Table 7-1. Drive Roll And Wire Guide Kits**

**NOTE**



Base selection of drive rolls upon the following recommended usages:

1. V-Grooved rolls for hard wire.
2. U-Grooved rolls for soft and soft shelled cored wires.
3. U-Cogged rolls for extremely soft shelled wires (usually hard surfacing types).
4. V-Knurled rolls for hard shelled cored wires.
5. Drive roll types may be mixed to suit particular requirements (example: V-Knurled roll in combination with U-Grooved).

Wire Diameter			Kit No.	Drive Roll		Inlet Wire Guide
Fraction	Decimal	Metric		Part No.	Type	
.023/.025 in	.023/.025 in	0.6 mm	087 131	087 130	V-Grooved	056 192
.030 in	.030 in	0.8 mm	079 594	053 695	V-Grooved	056 192
.035 in	.035 in	0.9 mm	079 595	053 700	V-Grooved	056 192
.040 in	.040 in	1.0 mm	161 189	053 696	V-Grooved	056 192
.045 in	.045 in	1.2 mm	079 596	053 697	V-Grooved	056 193
.052 in	.052 in	1.3 mm	079 597	053 698	V-Grooved	056 193
1/16 in	.062 in	1.6 mm	079 598	053 699	V-Grooved	056 195
.035 in	.035 in	0.9 mm	044 749	072 000	U-Grooved	056 192
.045 in	.045 in	1.2 mm	079 599	053 701	U-Grooved	056 193
.052 in	.052 in	1.3 mm	079 600	053 702	U-Grooved	056 193
1/16 in	.062 in	1.6 mm	079 601	053 706	U-Grooved	056 195
5/64 in	.079 in	2.0 mm	079 602	053 704	U-Grooved	056 195
.035 in	.035 in	0.9 mm	079 606	132 958	V-Knurled	056 192
.045 in	.045 in	1.2 mm	079 607	132 957	V-Knurled	056 193
.052 in	.052 in	1.3 mm	079 608	132 956	V-Knurled	056 193
1/16 in	.062 in	1.6 mm	079 609	132 955	V-Knurled	056 195
.068-.072 in	.068-.072 in	1.8 mm	089 984	132 959	V-Knurled	056 195
5/64 in	.079 in	2.0 mm	079 610	132 960	V-Knurled	056 195
.045 in	.045 in	1.2 mm	083 318	083 489	U-Cogged	056 193
.052 in	.052 in	1.3 mm	083 317	083 490	U-Cogged	056 193
1/16 in	.062 in	1.6 mm	079 614	053 708	U-Cogged	056 195
5/64 in	.079 in	2.0 mm	079 615	053 710	U-Cogged	056 195

S-0157-C



# TRUE BLUE® WARRANTY

Effective January 1, 2001

(Equipment with a serial number preface of "LB" or newer)

This limited warranty supersedes all previous Miller warranties and is exclusive with no other guarantees or warranties expressed or implied.

## Warranty Questions?

Call  
1-800-4-A-MILLER  
for your local  
Miller distributor.

Your distributor also gives  
you ...

### Service

You always get the fast,  
reliable response you  
need. Most replacement  
parts can be in your  
hands in 24 hours.

### Support

Need fast answers to the  
tough welding questions?  
Contact your distributor.  
The expertise of the  
distributor and Miller is  
there to help you, every  
step of the way.

**LIMITED WARRANTY** – Subject to the terms and conditions below, Miller Electric Mfg. Co., Appleton, Wisconsin, warrants to its original retail purchaser that new Miller equipment sold after the effective date of this limited warranty is free of defects in material and workmanship at the time it is shipped by Miller. THIS WARRANTY IS EXPRESSLY IN LIEU OF ALL OTHER WARRANTIES, EXPRESS OR IMPLIED, INCLUDING THE WARRANTIES OF MERCHANTABILITY AND FITNESS.

Within the warranty periods listed below, Miller will repair or replace any warranted parts or components that fail due to such defects in material or workmanship. Miller must be notified in writing within thirty (30) days of such defect or failure, at which time Miller will provide instructions on the warranty claim procedures to be followed.

Miller shall honor warranty claims on warranted equipment listed below in the event of such a failure within the warranty time periods. All warranty time periods start on the date that the equipment was delivered to the original retail purchaser, or one year after the equipment is sent to a North American distributor or eighteen months after the equipment is sent to an International distributor.

1. 5 Years Parts – 3 Years Labor
  - \* Original main power rectifiers
  - \* Inverters (input and output rectifiers only)
2. 3 Years — Parts and Labor
  - \* Transformer/Rectifier Power Sources
  - \* Plasma Arc Cutting Power Sources
  - \* Semi-Automatic and Automatic Wire Feeders
  - \* Inverter Power Supplies
  - \* Intelligig
  - \* Engine Driven Welding Generators  
**(NOTE: Engines are warranted separately by the engine manufacturer.)**
3. 1 Year — Parts and Labor
  - \* DS-2 Wire Feeder
  - \* Motor Driven Guns (w/exception of Spoolmate Spoolguns)
  - \* Process Controllers
  - \* Positioners and Controllers
  - \* Automatic Motion Devices
  - \* RFCS Foot Controls
  - \* Induction Heating Power Sources
  - \* Water Coolant Systems
  - \* HF Units
  - \* Grids
  - \* Maxstar 140
  - \* Spot Welders
  - \* Load Banks
  - \* Miller Cyclomatic Equipment
  - \* Running Gear/Trailers
  - \* Plasma Cutting Torches (except APT & SAF Models)
  - \* Field Options  
**(NOTE: Field options are covered under True Blue® for the remaining warranty period of the product they are installed in, or for a minimum of one year — whichever is greater.)**
4. 6 Months — Batteries
5. 90 Days — Parts
  - \* MIG Guns/TIG Torches
  - \* Induction Heating Coils and Blankets

- \* APT, ZIPCUT & PLAZCUT Model Plasma Cutting Torches
- \* Remote Controls
- \* Accessory Kits
- \* Replacement Parts (No labor)
- \* Spoolmate Spoolguns
- \* Canvas Covers

Miller's True Blue® Limited Warranty shall not apply to:

1. **Consumable components; such as contact tips, cutting nozzles, contactors, brushes, slip rings, relays or parts that fail due to normal wear.**
2. Items furnished by Miller, but manufactured by others, such as engines or trade accessories. These items are covered by the manufacturer's warranty, if any.
3. Equipment that has been modified by any party other than Miller, or equipment that has been improperly installed, improperly operated or misused based upon industry standards, or equipment which has not had reasonable and necessary maintenance, or equipment which has been used for operation outside of the specifications for the equipment.

MILLER PRODUCTS ARE INTENDED FOR PURCHASE AND USE BY COMMERCIAL/INDUSTRIAL USERS AND PERSONS TRAINED AND EXPERIENCED IN THE USE AND MAINTENANCE OF WELDING EQUIPMENT.

In the event of a warranty claim covered by this warranty, the exclusive remedies shall be, at Miller's option: (1) repair; or (2) replacement; or, where authorized in writing by Miller in appropriate cases, (3) the reasonable cost of repair or replacement at an authorized Miller service station; or (4) payment of or credit for the purchase price (less reasonable depreciation based upon actual use) upon return of the goods at customer's risk and expense. Miller's option of repair or replacement will be F.O.B., Factory at Appleton, Wisconsin, or F.O.B. at a Miller authorized service facility as determined by Miller. Therefore no compensation or reimbursement for transportation costs of any kind will be allowed.

TO THE EXTENT PERMITTED BY LAW, THE REMEDIES PROVIDED HEREIN ARE THE SOLE AND EXCLUSIVE REMEDIES. IN NO EVENT SHALL MILLER BE LIABLE FOR DIRECT, INDIRECT, SPECIAL, INCIDENTAL OR CONSEQUENTIAL DAMAGES (INCLUDING LOSS OF PROFIT), WHETHER BASED ON CONTRACT, TORT OR ANY OTHER LEGAL THEORY.

ANY EXPRESS WARRANTY NOT PROVIDED HEREIN AND ANY IMPLIED WARRANTY, GUARANTY OR REPRESENTATION AS TO PERFORMANCE, AND ANY REMEDY FOR BREACH OF CONTRACT TORT OR ANY OTHER LEGAL THEORY WHICH, BUT FOR THIS PROVISION, MIGHT ARISE BY IMPLICATION, OPERATION OF LAW, CUSTOM OF TRADE OR COURSE OF DEALING, INCLUDING ANY IMPLIED WARRANTY OF MERCHANTABILITY OR FITNESS FOR PARTICULAR PURPOSE, WITH RESPECT TO ANY AND ALL EQUIPMENT FURNISHED BY MILLER IS EXCLUDED AND DISCLAIMED BY MILLER.

Some states in the U.S.A. do not allow limitations of how long an implied warranty lasts, or the exclusion of incidental, indirect, special or consequential damages, so the above limitation or exclusion may not apply to you. This warranty provides specific legal rights, and other rights may be available, but may vary from state to state.

In Canada, legislation in some provinces provides for certain additional warranties or remedies other than as stated herein, and to the extent that they may not be waived, the limitations and exclusions set out above may not apply. This Limited Warranty provides specific legal rights, and other rights may be available, but may vary from province to province.





# Owner's Record

Please complete and retain with your personal records.

---

Model Name Serial/Style Number

---

Purchase Date (Date which equipment was delivered to original customer.)

---

Distributor

---

Address

---

City

---

State Zip

---



## For Service

**Call 1-800-4-A-Miller or see our website at [www.MillerWelds.com](http://www.MillerWelds.com) to locate a DISTRIBUTOR or SERVICE AGENCY near you.**

Always provide Model Name and Serial/Style Number.

- 
- |                               |  |
|-------------------------------|--|
| Contact your Distributor for: | <ul style="list-style-type: none"> <li>Welding Supplies and Consumables</li> <li>Options and Accessories</li> <li>Personal Safety Equipment</li> <li>Service and Repair</li> <li>Replacement Parts</li> <li>Training (Schools, Videos, Books)</li> <li>Technical Manuals (Servicing Information and Parts)</li> <li>Circuit Diagrams</li> <li>Welding Process Handbooks</li> </ul> |
|-------------------------------|--|

Contact the Delivering Carrier for: File a claim for loss or damage during shipment.

For assistance in filing or settling claims, contact your distributor and/or equipment manufacturer's Transportation Department.

### Miller Electric Mfg. Co.

An Illinois Tool Works Company  
1635 West Spencer Street  
Appleton, WI 54914 USA

### International Headquarters—USA

USA Phone: 920-735-4505 Auto-Attended  
USA & Canada FAX: 920-735-4134  
International FAX: 920-735-4125

### European Headquarters – United Kingdom

Phone: 44 (0) 1204-593493  
FAX: 44 (0) 1204-598066

[www.MillerWelds.com](http://www.MillerWelds.com)

