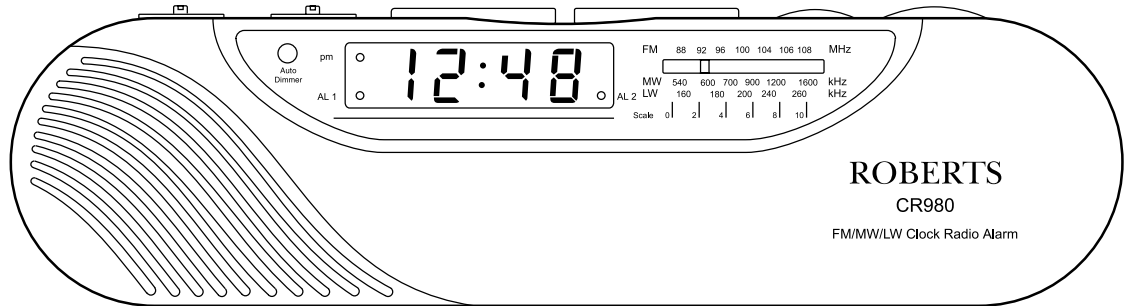


# ROBERTS

Sound for Generations

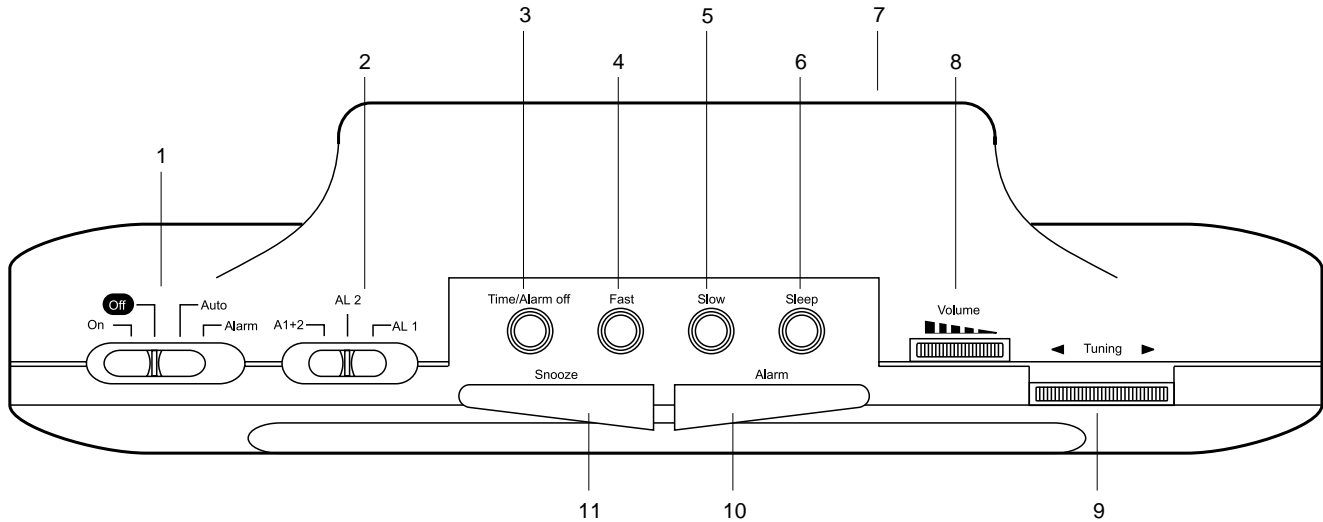
# CR980

3 Band Dual Alarm  
Clock Radio



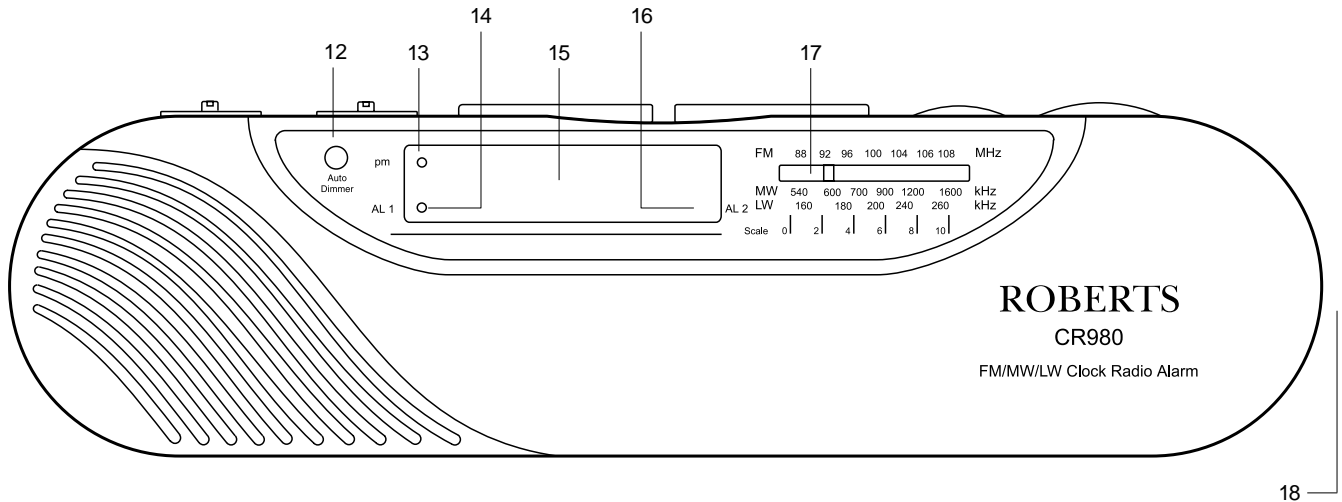
Please read this manual before use

## Controls



- |                          |                                  |
|--------------------------|----------------------------------|
| 1. Function switch       | 7. Battery compartment (on rear) |
| 2. Alarm switch          | 8. Volume control                |
| 3. Time/Alarm off button | 9. Tuning control                |
| 4. Fast set button       | 10. Alarm button                 |
| 5. Slow set button       | 11. Snooze button                |
| 6. Sleep button          |                                  |

## Controls



- 12. Auto dimmer
- 13. PM indicator
- 14. Alarm 1 indicator
- 15. Clock display
- 16. Alarm 2 indicator
- 17. Tuning scale
- 18. Waveband switch (on end)

## General

Do not allow this unit to be exposed to water or steam. Do not leave the unit where excessive heat could cause damage. It is recommended that the FM band be used wherever possible as better results in terms of quality and freedom from interference will usually be obtained than on the MW and LW bands.


## Mains supply

The CR980 will operate from a supply of AC 230 volts, 50Hz  only.

For your convenience this product is supplied with a plug which is fitted with a fuse of the appropriate rating. If the plug supplied is not suitable for your socket outlet, it should be removed by unscrewing the plug top, the terminal screws, and removing the cable.

The correct style of plug to suit your household together with a correctly rated fuse should be fitted.

IF IN DOUBT - CONSULT A QUALIFIED ELECTRICIAN

**IMPORTANT. DO NOT** make any connection to the larger terminal which is marked with the letter E or by the safety earth symbol  or coloured Green or Green-and-yellow.

The wires in the mains lead are coloured in accordance with the following codes :-

BLUE - NEUTRAL

BROWN - LIVE

As these colours may not correspond with the coloured markings identifying the terminals in your plug, proceed as follows:

The wire coloured BLUE must be connected to the terminal marked N or coloured BLACK.

The wire coloured BROWN must be connected to the terminal marked L or coloured RED.

## Fuse

This apparatus must be protected by a 3A fuse (BS1362) in a 13A plug (BS1363). If another type of plug is used a 5A fuse should be fitted in the plug, adaptor or distribution board.

IF IN DOUBT - CONSULT A QUALIFIED ELECTRICIAN.

## Back-up battery

Slide the battery cover catch in the direction of the arrow. Remove the battery cover. Fit a 9 volt IEC size 6F22 (6LR61, PP3) or equivalent battery into the compartment. Replace the battery cover. The time and alarm settings will be retained during a temporary failure of the AC mains supply. The LED display will not be operational. The battery is not necessary for the unit to function.

## Aerials

The wire aerial located on the rear of the CR980 is for FM reception. The wire should be fully extended and positioned for optimum reception

There is a built in ferrite aerial for MW and LW stations. Rotate the CR980 to the position giving best reception.

## Important

If an alarm time has not been set and the **Function** switch is left in the 'Auto' or 'Alarm' position, the alarm/radio will operate at 12.00 midnight. If you do not require the alarm function, ensure that the Function switch is correctly set to the 'Off' position. The display alarm indicators will be switched off.

## Operating the Radio

The radio is equipped with three wavebands to enable you to select the programme of your choice. The FM waveband requires the use of an external aerial wire which can be found at the rear of the unit.

This should be uncoiled and positioned for the best reception. The MW and LW wavebands use an internal aerial which is directional. For the best reception, it may be necessary to rotate the radio.

Connect the mains plug to a wall socket.

Set the **Waveband** switch to FM, MW or LW and the **Function** switch to 'On'.

The **Volume** control should be adjusted as required.

Tune the radio to the desired programme by adjusting the **Tuning** control.

To switch off the radio, set the **Function** switch to 'Off'. If the radio does not switch off this may be caused by inadvertent operation of the Sleep function. Press the **Time/Alarm off** button once to cancel the sleep function and switch the radio off.

## Setting the Clock

When the mains plug is connected to the power supply the clock display will show 12.00 AM (Midnight) indicating the time requires setting.

### Real time

To set the time, press the **Time/Alarm off** button and either the **Fast** or **Slow** button simultaneously. The **Fast** button is to advance the time display quickly - use it to advance swiftly through several hours, follow up by using the **Slow** button to set the exact time. The time display will advance each time the button is depressed, or automatically if it is kept depressed. Release the buttons when the correct time is shown.

*Note:* Ensure that the time is correctly set for either **AM** or **PM**. The **PM** indicator must be lit for **PM** operation. If the indicator is not lit the time displayed is **AM**.

## Quick on/off feature

The **Sleep** and **Time/Alarm off** button can be used together as a convenient way to turn the radio on and off when it is required to operate for a short period of less than one hour.

### Alarm time

To display the alarm time, press the **Alarm** button. When you release the button, the display reverts to real time. Use the **Fast** and **Slow** buttons whilst holding down the **Alarm** button to set the desired **AL1** or **AL2** time. Ensure the correct **AM/PM** setting is observed.

*Note:* The alarm time can only be set with the Alarm switch in the **AL1** or **AL2** position. If the Alarm switch is set to **AL1+2**, then pressing the **Alarm** button will only display the real time, not alarm time.

### Alarm Function

Your CR980 has both single or dual alarm functions and can be set to operate at one of two preset times or both, as required. For example, you might want one time for during the week and another for the weekend, or two different times for the same day of the week.

#### Single alarm

If you require the alarm to operate once at a given time setting, set the required alarm time as described above and position the **Alarm** switch to either **AL1** or **AL2**. Set the **Function** switch to '**Alarm**' (for waking to the alarm tone) or '**Auto**' (for waking to the radio). The respective LED alarm indicator will now be lit and the alarm/radio will operate at the set time.

You could now set the the second alarm function in the same way and simply position the **Alarm** switch to **AL1** on weekdays and **AL2** on weekends.

*Note:* Once the **AL1** or **AL2** has operated, press the **Time/Alarm off** button once, the alarm/radio will sound again the next day unless the **Function** switch is set to '**Off**'.

## Dual alarm

If you require the alarm to operate at two different times on one day, first position the Alarm switch to '**AL1**' and set the required alarm time. Then move the Alarm switch to '**AL2**' and set the second desired alarm time. When both alarms have been set, move the alarm switch to '**AL1+2**'. Ensure that the Function switch is in the '**Alarm**' position. The display alarm indicators will both be lit and the alarms will now operate at the programmed time.

Once the '**AL1**' has operated, press the **Time/Alarm off** button once. The alarm/radio will switch off and will operate again at a preselected '**AL2**' time. Press the **Time/Alarm off** button again to cancel. **AL1** and **AL2** will sound again the next day unless the function switch is set to '**Off**'.

## Wake to alarm

Once the alarm time is set, move the **Alarm** switch to the '**AL1**', '**AL2**' or '**AL1+AL2**' position. Set the **Function** switch to '**Alarm**'. The **AL1** or **AL2** indicator (or both, if dual alarm has been chosen) will light and the alarm tone(s) will then sound at the preset time.

To turn off the alarm immediately, either press the **Time/Alarm off** button, in which case the alarm will operate again 24 hours later, or slide the **Function** switch to '**Off**' position to switch off the alarm function.

*Note:* The '**AL1**' and '**AL2**' buzzer tones are different for easy recognition.

## Wake to radio

Set the **Alarm** switch to the '**AL1**', '**AL2**' or '**AL1+AL2**' position. Set the **Function** switch to '**Auto**'. The **AL1** or **AL2** indicator (or both, if dual alarm has been chosen) will light and the radio will then operate at the preset time.

*Note:* Ensure that the **Volume** control is set at an adequate level to wake you up. If not manually switched off, the radio and the alarm tone will automatically switch off after 59 minutes.

If an alarm time has not been set and the **Function** switch is left in the '**Buzz**' or '**Auto**' position, the alarm/radio will operate at 12.00 midnight. If you do not require the alarm function, ensure that the **Function** switch is correctly set to the '**Off**' position. The display alarm indicators will be switched off.

## Snooze Function

Alternatively, when the radio or buzzer alarms can be silenced for approximately 7 minutes by pressing the **Snooze** button, after which time the alarm will switch on again. This can be repeated within the 59 minute alarm on time.

*Note:* If dual alarm has been chosen, the second wake function will operate despite the use of the **SNOOZE** button.

## Sleep Function

Your CR980 digital clock radio can be set to operate the radio and switch off automatically after a preset period, adjustable up to 59 minutes. To set the sleep function, switch the **Function** switch to '**Off**', '**Auto**' or '**Alarm**' depending on whether or not you require the alarm function the following day.

Press the **Sleep** button briefly and observe that the display indicates the preset time (59 minutes).

Hold the **Sleep** button depressed - the clock display will then automatically count down from 59 minutes to one minute. Release the button when the desired sleep time is displayed.

Set the **Tuning** and **Volume** controls as required.


To cancel the sleep function before the preset time has elapsed, press the **Time/Alarm off** button once. The radio will switch off.

## Auto Dimmer

The **Auto Dimmer** located on the top left side of the LED display will automatically adjust the intensity of the clock display to suit room brightness.

## Specifications

### Power Requirements

Mains AC 230 volts, 50Hz  only  
Back-up Battery IEC size 6LR61 (PP3)

### Radio

Waveband coverage

FM 88 - 108 MHz  
LW 150 - 260 kHz  
MW 540 - 1600 kHz

## Clock

Battery back-up  
12 Hr AM/PM display  
Wake to buzzer or radio alarms  
7 minute snooze function  
59 minute Sleep timer

*Imported by:-*

**ROBERTS RADIO LIMITED**

PO BOX 130

MEXBOROUGH

SOUTH YORKSHIRE

S64 8YT

*The Company reserves the right to amend the specification without notice.*

## **Guarantee**

This instrument is guaranteed for twelve months from the date of delivery to the original owner against failure due to faulty workmanship or component breakdown, subject to the procedure stated below. Should any component or part fail during this guarantee period it will be repaired or replaced free of charge.

The guarantee does not cover:

1. Damage resulting from incorrect use.
2. Consequential damage.
3. Receivers with removed or defaced serial numbers.

Procedure:

Any claim under this guarantee should be made through the dealer from whom the instrument was purchased. It is likely that your Roberts dealer will be able to attend to any defect quickly and efficiently, but should it be necessary the dealer will return the instrument to the company's service department for attention. In the event that it is not possible to return the instrument to the Roberts dealer from whom it was purchased, please contact Roberts Radio Technical Services department at the address shown below before taking further action.

*These statements do not affect the statutory rights of a consumer.*

### **ROBERTS RADIO TECHNICAL SERVICES DEPARTMENT**

97-99 Worton Road  
Isleworth Middlesex  
TW7 6EG

Technical Helpline:-0181 758 0338

Issue 2

