

OPERATORS AND PARTS MANUAL NO. 04-01-9100  
FOR  
9100 SERIES

# MEYER

“BOSS”

REAR UNLOAD FORAGE BOX  
TRUCK AND TRAILER

MODELS:	9122	9124
	9126	9128
	9130	9130T
	9136T	



DO NOT OPERATE EQUIPMENT UNTIL THIS MANUAL HAS BEEN READ AND UNDERSTOOD.

MEMBER



MANUFACTURED BY

## Meyer Mfg. Corp.

County Hwy. A West

P.O. Box 405

Dorchester, Wisconsin 54425-0405

Phone 715-654-5132 • FAX 715-654-5513

1-800-325-9103

[www.meyermfg.com](http://www.meyermfg.com)

E-mail: [sales@meyermfg.com](mailto:sales@meyermfg.com)



Over  
**60 years**  
of service  
to our customers

# TABLE OF CONTENTS

TABLE OF CONTENTS . . . . .	1
MANUFACTURER'S WARRANTY . . . . .	2
INTRODUCTION . . . . .	3
SAFETY PRECAUTIONS . . . . .	4
PRE-OPERATION . . . . .	7
General . . . . .	7
Light Hookup . . . . .	7
Air Brake Hookup . . . . .	7
Hydraulic Hookup . . . . .	7
Start Up And Stopping . . . . .	7
TRANSPORTING . . . . .	8
Tractor Towing Size Requirements . . . . .	8
Material Estimated Weight Per Cubic Foot . . . . .	8
Rear Unload Operation . . . . .	9
LUBRICATION . . . . .	12
Daily Lubrication . . . . .	12
End Of Crop Cleanup And Maintenance . . . . .	12
ADJUSTMENTS . . . . .	13
REPAIR PARTS . . . . .	14
Gearbox & Chain Drive . . . . .	15
Hydraulic Plumb To The Front . . . . .	17
Apron . . . . .	19
9100 Main Body . . . . .	21
Front Air Hook-Up & . . . . .	25
Front Fold Down Extension . . . . .	25
Optional Double Door . . . . .	29
Roller Chain Oiler . . . . .	31
Highway Transport Lights . . . . .	32
9100 Optional Grain Kit . . . . .	33
Gate Delay Package (#8100 - gate) . . . . .	35
Gate Delay Package . . . . .	37
MEYER FORAGE BOX "MAINTENANCE RECORD" . . . . .	38
"SPECIFICATIONS" . . . . .	39
"SPECIFICATIONS" . . . . .	40

## NEW MEYER REAR UNLOAD FORAGE BOX MANUFACTURER'S WARRANTY

- I. The "Product Registration & Inspection Certificate" along with the original billing invoice "Owners Registration Form" must be completed in full and promptly returned to Meyer Mfg. Corp. for this warranty to become both valid and effective. All warranties on New Meyer Forage Boxes shall apply only to the original retail customer from an authorized Meyer Mfg. Corp. dealership.
- II. This warranty shall not apply to any Meyer Forage Box which has been subjected to misuse, negligence, alteration, accident, incorrect operating procedures, or which shall have been repaired with parts other than those obtained through Meyer Mfg. Corp.
- III. Meyer Mfg. Corp. warrants New Meyer Forage Boxes to be free from defects in material and workmanship under recommended use and maintenance service, as stated in the Operator's and Parts Manual," as follows:
  - A. Meyer Mfg. Corp. will repair or replace F.O.B. Dorchester, WI, as Meyer Mfg. Corp. elects, any part of a new Meyer Forage Box which is defective in material or workmanship:
    1. Without charge for either parts or labor during the first (1) year from purchase date to the original retail customer.
    2. Without charge for parts only during the second (2) year from purchase date to the original retail customer.
  - B. In addition to the above basic warranty, Meyer Mfg. Corp. will repair or replace F.O. B. Dorchester, WI as Meyer Mfg. Corp. elects:
    1. Any part of the following which is defective in material or workmanship (not neglect to recommended use and service) without charge for parts only (not labor) during the stated time periods from date of purchase to the original retail customer:

Five (5) Years: The D667XH pintle main apron chain assembly.
    2. Any part of the following which is defective in material or workmanship (not neglect to recommended use and service) with a "pro-rated" charge for parts only (not labor) during the stated time period from date of purchase to the original retail customer:

Ten (10) Years: a. The all welded steel frame box structure.
- IV. COMMERCIAL USE: Coverage as in paragraph III A1 ONLY, except warranty coverage is for (90) days for parts and labor to the original commercial retail customer.
- V. Repairs eligible for labor warranty must be made by Meyer Mfg. Corp. or an authorized Meyer dealership. The original retail customer is responsible for the transportation of the forage box to the dealership for warranty service or for any service call expenses.
- VI. Except as stated above, Meyer Mfg. Corp. shall not be liable for injuries or damages of any kind or nature, direct, consequential, or contingent, to persons or property. This warranty does not extend to loss of crop or for any other reasons.
- VII. No person is authorized to give any other warranties or to assume any other obligation on Meyer Mfg. Corp.'s behalf unless made or assumed in writing by Meyer Mfg. Corp. This warranty is the sole and exclusive warranty which is applicable in connection with the manufacture and sale of this product and Meyer Mfg. Corp.'s responsibility is limited accordingly.

Optional Equipment-Tarp, scales etc. warranty-See original equipment warranty.

# INTRODUCTION

Congratulations on your purchase of a new Meyer Rear Unload Forage Box. Undoubtedly you have given much consideration to your purchase and we're proud that you have selected Meyer. Pride in craftsmanship, engineering and customer service have made Meyer products the finest in the farm equipment industry today.

The Model 9100 is available as a truck/trailer mounted unit or mounted to a wagon running gear pulled and powered by a farm tractor. When the PTO is referred to, it means power takeoff from the truck.

The Model 9100 may be referred to as rear unload box, forage box, box or rear unload forage box in this manual.



This SAFETY ALERT SYMBOL means ATTENTION! BE CAREFUL! YOUR SAFETY IS INVOLVED! It stresses an attitude of HEADS UP FOR SAFETY. When you see this symbol, be alert to the possibility of PERSONAL INJURY and carefully read the message that follows.



**WARNING: NEVER OPERATE WITHOUT ALL COVERS, SHIELDS AND GUARDS IN PLACE. KEEP HANDS, FEET AND CLOTHING AWAY FROM MOVING PARTS. SOME COVERS AND GUARDS HAVE BEEN REMOVED FOR ILLUSTRATIVE PURPOSES ONLY IN THIS MANUAL. FAILURE TO HEED MAY RESULT IN SERIOUS PERSONAL INJURY OR DEATH.**

There is no substitute for quality. That is why thousands of people like you have purchased Meyer farm equipment. They felt it was the best equipment to serve their farming needs, now and in years to come. We ask that you follow our policy of "safety first," and we strongly suggest that you read through the owner's manual before operating your Meyer farm equipment.

Meyer Manufacturing Corporation wants to thank you for not compromising quality. We are determined to offer excellence in customer service as well as provide you with the very best value for your dollar.

Sincerely,

All Employees of  
MEYER MANUFACTURING CORPORATION

Meyer Manufacturing Corporation reserves the right to make improvements in design, or changes in specifications at any time, without incurring any obligation to owners of units previously sold.

This supersedes all previous published instructions.

## IMPORTANT:

At the front of this manual is a Product Registration and Inspection Certificate. Be sure your dealer has completed this certificate and promptly forwarded a copy to Meyer Manufacturing to validate the manufacturer's warranty. The product model and serial number are recorded on this certificate and below for proper identification of your Meyer Forage Box by your dealer and the manufacturer when ordering repair parts. The serial number is stamped in the front upright of the left-hand side.

Model No. \_\_\_\_\_

Serial No. \_\_\_\_\_

Date of Purchase \_\_\_\_\_

At the back of this manual is the repair parts section. All replacement parts are to be obtained from or ordered through your Meyer dealership. When ordering repair parts, refer to the parts section and give complete information including quantity, correct part number, detailed description and even Model No. and Serial No. of the forage box which needs repair parts.

**NOTE:** All references to right hand (RH), left hand (LH), front and rear apply to the product as viewed from the rear of the box.

You are urged to study this manual and follow the instructions carefully. Your efforts will be repaid in better operation and service as well as a savings in time and repair expense. Failure to read this manual and understand the machine could lead to serious injury. If you do not understand instructions in this manual, contact either your dealer or Meyer Manufacturing Corp. at Dorchester, WI 54425.

# SAFETY PRECAUTIONS



**THIS SYMBOL IS USED TO CALL ATTENTION TO INSTRUCTIONS CONCERNING PERSONAL SAFETY. BE SURE TO OBSERVE AND FOLLOW THESE INSTRUCTIONS. TAKE TIME TO BE CAREFUL!**



**WARNING: BEFORE ATTEMPTING TO OPERATE THIS FORAGE BOX, READ AND STUDY THE FOLLOWING SAFETY INFORMATION. IN ADDITION, MAKE SURE THAT EVERY INDIVIDUAL WHO OPERATES OR WORKS WITH THE FORAGE BOX, WHETHER FAMILY MEMBER OR EMPLOYEE, IS FAMILIAR WITH THESE SAFETY PRECAUTIONS.**

Require anyone who will operate this forage box to read and completely understand this owner's manual. Give necessary instructions.

DO NOT operate, service, inspect or otherwise handle this forage box until all operators have read this Owner's Manual and have been properly trained in its intended usage.

DO NOT allow minors (children) or inexperienced persons to operate this forage box.

DO NOT clean, adjust or lubricate while the forage box is in motion.

Inspect when first delivered and regularly thereafter; that all connections and bolts are tight and secure before operating.

Know how to stop operation of the forage box before starting it!

DO NOT operate until all shields and guards are in place and securely fastened.

Make certain everyone is clear of the forage box before applying power.

Keep hands, feet and clothing away from moving parts. Loose or floppy clothing should not be worn by the operator.

Observe all applicable traffic laws when transporting on public roadways (where legal to do so). Check local laws for all highway lighting and marking requirements.

Tractor Models: Always install a SMV emblem on forage box for transporting on roadways and keep this emblem clean and bright.

DO NOT step up on any part of the forage box at any time.

Keep the forage box away from power lines. Contact with electric lines may result in serious injury or death by electrocution!

If the forage box becomes clogged, shut off the power, set park brake, remove keys, keep keys in your possession, and allow all mechanism to stop. Then, clean or work on the forage box as required.

Always shut off the power, remove keys, keep keys in your possession to prevent accidental startup or unexpected movement before working on forage box.

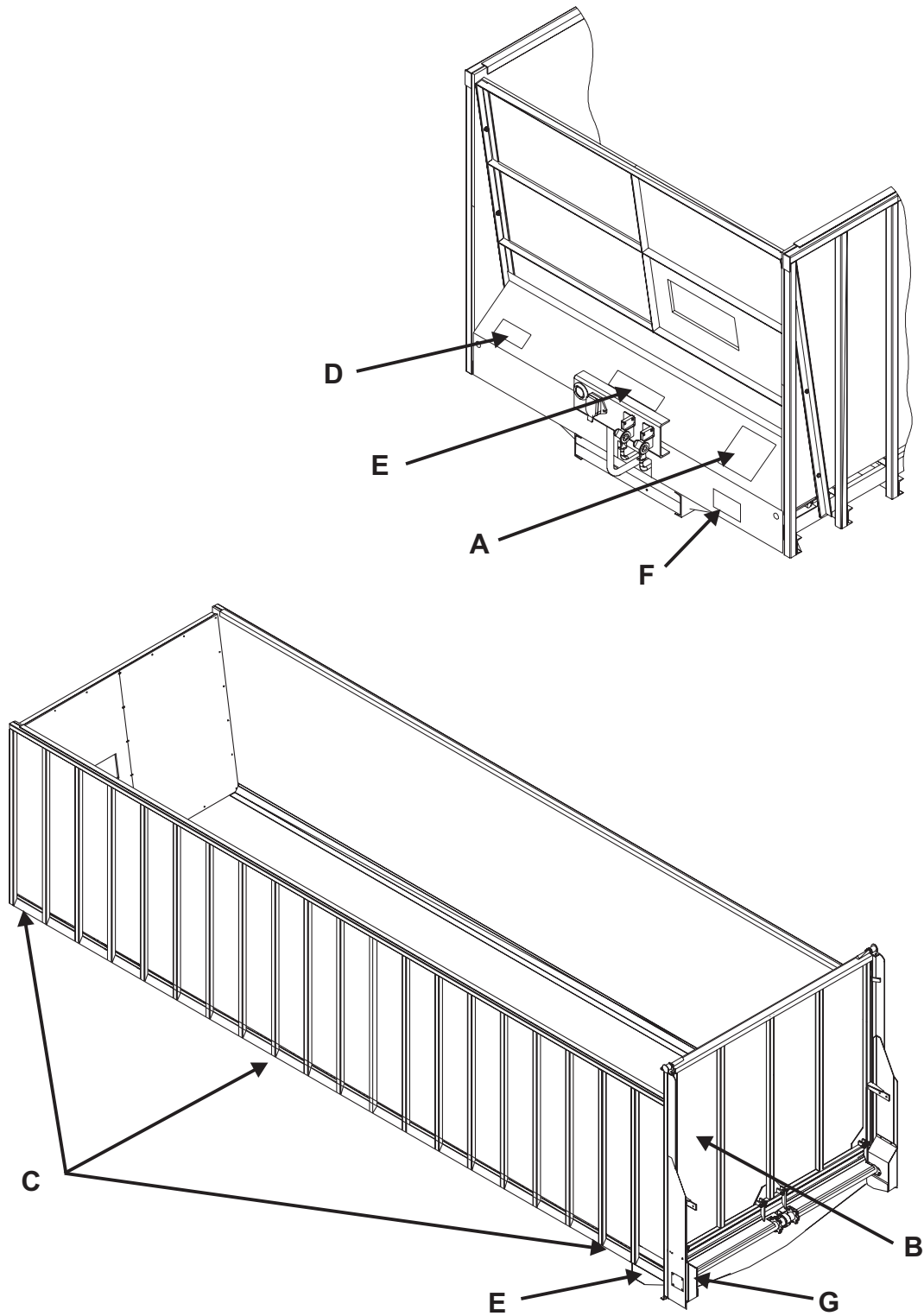
Tractor Models: DO NOT tow at speeds in excess of 20 MPH when transporting this forage box. Never exceed a safe travel speed.


MEYER MFG. CORP. PROVIDES GUARDS FOR EXPOSED MOVING PARTS FOR THE OPERATOR'S PROTECTION; HOWEVER, SOME AREAS CANNOT BE GUARDED OR SHIELDED IN ORDER TO ASSURE PROPER OPERATION. THE OPERATOR'S MANUAL AND DECALS ON THE FORAGE BOX ITSELF WARN YOU OF DANGERS AND MUST BE READ AND OBSERVED CLOSELY!

## Study the Above Safety Rules

FAILURE TO HEED MAY RESULT IN SERIOUS PERSONAL INJURY OR DEATH.

 **SAFETY FIRST**




 **CAUTION:** READ ALL DECALS ON THE FORAGE BOX AND IN THIS MANUAL. KEEP THESE DECALS CLEAN AND REPLACE ANY LOST OR DESTROYED DECALS. BECOME FAMILIAR WITH ALL TRUCK OR TRACTOR AND FORAGE BOX CONTROLS.




# SAFETY FIRST





The Meyer Forage Box is manufactured with operator safety in mind. Located on the forage box are various decals to aid in operation and warn of danger or caution areas. Pay close attention to all decals on the forage box.

 **DO NOT REMOVE ANY DECALS. IF DECALS ARE LOST, DAMAGED OR IF FORAGE BOX IS REPAINTED, REPLACE DECALS. REMEMBER: DECALS ARE FOR YOUR PROTECTION AND INFORMATION.**

A brief definition of signal words that are used in this manual is as follows:

 **DANGER** Indicates an imminently hazardous situation that, if not avoided, will result in death or serious injury.

 **WARNING** Indicates a potentially hazardous situation that, if not avoided could result in death or serious injury, and includes hazards that are exposed when guards are removed.


 **CAUTION** Indicates a potentially hazardous situation that, if not avoided may result in minor or moderate injury.

## SAFETY INSTRUCTIONS


### SAFETY FIRST

(Do Not Operate This Machine Without Reading These Instructions)

Meyer Mfg. Corp. always takes the operator's safety into consideration when designing farm machinery by covering exposed moving parts for his protection; however, some areas cannot be guarded or shielded in order to assure proper operation.

This safety alert symbol  means ATTENTION! BE CAREFUL! YOUR SAFETY IS INVOLVED! It stresses an attitude of HEADS UP FOR SAFETY, also read all other decals as they are also safety warnings.

Remember: The careful operator is the best operator. Most accidents are caused by human error. Certain precautions must be observed to prevent the possibility of injury or damage.

Read the  **HEADS UP** Rules before you operate our equipment.

- DO NOT** allow persons other than the authorized adult operator near the machine.
- DO NOT** clean, adjust or lubricate the machine when any part is in operation.
- DO NOT** hook a tractor with a 1000 RPM PTO speed to the unloader.
- DO NOT** pass in front of discharge area of machine when implement is in operation.

IF THE MACHINE BECOMES CLOGGED, DISENGAGE POWER TAKE-OFF, REMOVE KEYS FROM TRACTOR, AND ALLOW ALL MECHANISMS TO STOP BEFORE CLEANING.

KEEP HANDS, FEET, CLOTHING AND HAIR AWAY FROM ALL MOVING PARTS WHEN MACHINE IS IN OPERATION. LOOSE OR FLOPPY CLOTHING SHOULD NOT BE WORN BY THE OPERATOR.

STOP ENGINE. WAIT FOR ALL MOVEMENT TO STOP BEFORE LEAVING OPERATOR'S POSITION TO ADJUST, LUBRICATE, CLEAN OR UNLOAD MACHINES. UNLESS OTHERWISE SPECIFICALLY RECOMMENDED IN THE "OPERATOR'S MANUAL."

NEVER START THE MACHINE UNTIL ALL GUARDS AND SAFETY SHIELDS ARE SECURED IN PLACE.

KEEP OFF EQUIPMENT UNLESS SEAT OR PLATFORM FOR OPERATION AND OBSERVATION IS PROVIDED. KEEP ALL OTHERS OFF.

PTO SHIELD MUST ROTATE FREELY AND BE IN PLACE.

ALWAYS RUN PTO STRAIGHT IN LINE TO AVOID AN ACCIDENT BY BREAKAGE.

YOU MUST OBSERVE ALL APPLICABLE TRAFFIC LAWS WHEN TRANSPORTING ON PUBLIC ROADWAYS (WHERE LEGAL TO DO SO). CHECK LOCAL LAWS FOR ALL HIGHWAY LIGHTING AND MARKING REQUIREMENTS AND COMPLY WITH THESE LAWS.

MAKE CERTAIN EVERYONE IS CLEAR OF MACHINE BEFORE STARTING ENGINE OR OPERATION

PLEASE KEEP ALL DECALS AND SLOW MOVING VEHICLE SIGN CLEAN SO THEY ARE LEGIBLE.

If any decal becomes damaged or lost, call your dealer or our plant for replacement.

Always use GENUINE MEYER replacement parts

46-0001-22

**DECAL A.**  
PART NO. 46-0001-22



**DECAL B.**  
PART NO. 46-0011-D



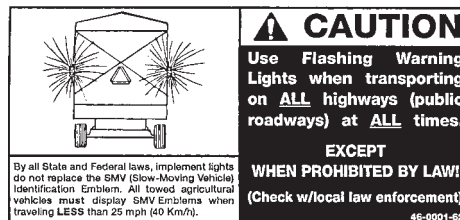
**DECAL C.**  
PART NO. 46-0001-20



**DECAL D.**  
PART NO. 46-0001-35




**DECAL E.**  
PART NO. 46-0001-4



**DECAL F.**  
PART NO. 46-0001-62



**DECAL G.**  
PART NO. 46-0001-33

 **CAUTION: READ ALL DECALS ON THE FORAGE BOX AND IN THIS MANUAL. KEEP THESE DECALS CLEAN AND REPLACE ANY LOST OR DESTROYED DECALS. BECOME FAMILIAR WITH ALL TRUCK OR TRACTOR AND FORAGE BOX CONTROLS.**



# PRE-OPERATION

## GENERAL

Whenever adjusting, cleaning, lubricating or otherwise servicing this forage box, you must shutoff and lockout power to the box. Because this box can be truck mounted or powered by a tractor, methods vary. On truck mounted units, the connection between the PTO and box is permanently installed and not intended to be disconnected. On trucks, disengage the PTO drive, turn off the engine, set the parking brake, remove the ignition keys and keep them in your possession to prevent anyone else from accidentally applying power to the box unexpectedly. For tractors, disengage the hydraulics, turn off the engine, set the brakes.

Throughout this manual, when directed to shutoff and lockout power, be familiar with the previously described procedures for the type of machine you are operating.

Be sure your forage box is properly mounted to the truck frame or to the wagon running gear. Consult your dealer if you have any questions about proper installation. A tie down kit from the manufacturer and illustrated in the parts listing of this manual is available for wagon applications.

Hydraulic input to the 9100 forage box requires 35GPM @ 3000 PSI. If truck mounted, install a relief valve set at 3000 PSI. Engine RPM should be 1500 RPM. Set up hydraulic system on truck mounted units with a 40 gallon reservoir minimum. Call factory for further information.



**WARNING: INSPECT REGULARLY THAT ALL CONNECTIONS AND BOLTS ARE TIGHT AND SECURE BEFORE OPERATING. FAILURE TO HEED MAY RESULT IN SERIOUS PERSONAL INJURY OR DEATH.**

Inspect the forage box for proper adjustments as this will ensure maximum machine performance. See "Adjustments" section. Grease and oil the forage box as required. See "Lubrication" section.



**WARNING: DO NOT OPERATE UNTIL ALL SHIELDS AND GUARDS ARE IN PLACE AND SECURELY FASTENED. FAILURE TO HEED MAY RESULT IN SERIOUS PERSONAL INJURY OR DEATH.**

## LIGHT HOOKUP

A 7 pin electrical socket is provided to plug the electrical control plug from your truck or tractor. See figure 1

This will operate signal, tail, clearance and brake lights.

Depending on make and model of truck, it may be necessary to install a light converter. (Meyer part #56-0028). Converter allows signal lights and brake lights to operate according to DOT lighting.

## AIR BRAKE HOOKUP

Connect the control line (blue) from your truck air supply to the blue gladhand on the trailer. Connect the tank supply line (red) to the red gladhand on the trailer. See figure 1.



**WARNING: IF THE ABS INDICATOR LAMP COMES ON AND STAYS ON WHEN YOU APPLY BRAKES TO A MOVING TRAILER, THE TRAILER ABS IS NOT WORKING PROPERLY. THE ABS MUST BE SERVICED AS SOON AS POSSIBLE UPON COMPLETION OF YOUR TRIP TO ENSURE FULL ANIT-LOCK BRAKING CAPABILITY**

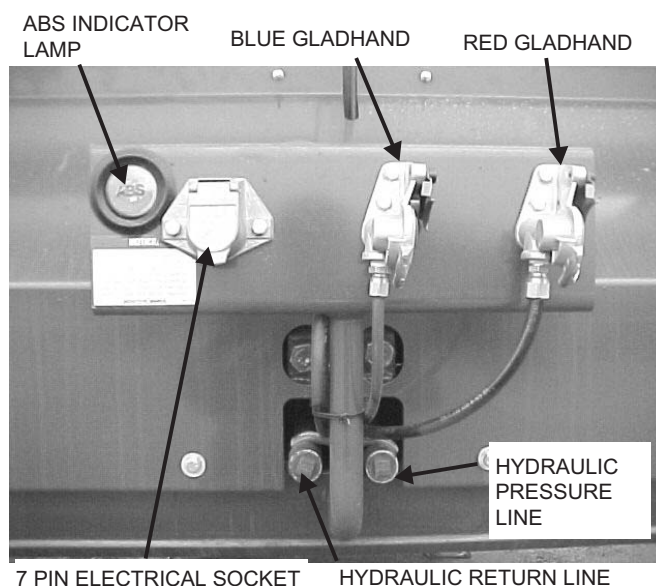
## HYDRAULIC HOOKUP

Connect hydraulic lines from the hydraulic power supply to the pressure and return lines as illustrated on figure 1.

## START UP AND STOPPING

Operation of the forage box with truck begins when the PTO is engaged to run the hydraulic pump.

Operation for tractor pulled forage boxes begins when the tractor hydraulic system is engaged.



**FIGURE 1. ELECTRICAL LIGHT AND AIR BRAKE HOOKUP**



# TRANSPORTING



**WARNING: (TRACTOR POWERED) INSTALL A SMV EMBLEM ON REAR OF FORAGE BOX FOR TRANSPORTING ON ROADWAYS. KEEP THIS EMBLEM CLEAN AND BRIGHT. FAILURE TO HEED MAY RESULT IN SERIOUS PERSONAL INJURY OR DEATH.**

Be sure and observe that the rear discharge door is latched closed before traveling on roadways.

If you will travel on public roads you must know all rules governing such operation. This will include lighting and brake requirements in addition to traffic rules. You may also be required to install a safety chain device on the running gear.

## TRACTOR TOWING SIZE REQUIREMENTS

Use the following chart for calculating the minimum tractor weight.

MODEL	FORAGE BOX EMPTY WEIGHT + LOAD = GW	MINIMUM TRACTOR WEIGHT UP TO 20 MPH
9122	6,300 + _____ = _____	2/3 of box gross weight
9124	6,600 + _____ = _____	2/3 of box gross weight

## MATERIAL ESTIMATED WEIGHT PER CUBIC FOOT

MATERIAL	LBS / CU. FT.
SOYBEANS	47 LBS.
COTTON SEED DRY	20 LBS.
CORN (SHELLED)	45 LBS.
CORN SILAGE	30 LBS.
HAYLAGE	20 LBS.
SAWDUST	17 LBS.

SOURCE: ASAE

**NOTE:** HEAPED LOADS HAVE SIGNIFICANTLY HIGHER CAPACITIES



**WARNING: MAKE CERTAIN EVERYONE IS CLEAR OF EQUIPMENT BEFORE APPLYING POWER. FAILURE TO HEED MAY RESULT IN SERIOUS PERSONAL INJURY OR DEATH.**



**WARNING: (TRACTOR POWERED) DO NOT TOW AT SPEEDS IN EXCESS OF 20 MPH. FAILURE TO HEED MAY RESULT IN SERIOUS PERSONAL INJURY OR DEATH.**



**WARNING: YOU MUST OBSERVE ALL APPLICABLE TRAFFIC LAWS WHEN TRANSPORTING ON PUBLIC ROADWAYS. CHECK LOCAL LAWS FOR ALL HIGHWAY LIGHTING AND MARKING REQUIREMENTS. FAILURE TO HEED MAY RESULT IN SERIOUS PERSONAL INJURY OR DEATH.**

Operating speed is dictated by the terrain over which you are traveling. Always use caution. Avoid traveling on slopes or hills that are unsafe.



**CAUTION: FOR TRACTOR TOWED USE FLASHING WARNING LIGHTS WHEN TRANSPORTING ON ALL PUBLIC ROADWAYS, EXCEPT WHEN PROHIBITED BY LAW. CHECK FOR TRAFFIC CONSTANTLY. BE SURE YOU CAN SEE THAT NO ONE IS ATTEMPTING TO PASS YOU AND THAT ALL TRAFFIC IS SUFFICIENTLY CLEAR FROM YOU BEFORE MAKING ANY TURNS.**

	<p><b>CAUTION</b></p> <p>Use Flashing Warning Lights when transporting on <b>ALL</b> highways (public roadways) at <b>ALL</b> times.</p> <p><b>EXCEPT WHEN PROHIBITED BY LAW!</b></p> <p>(Check w/local law enforcement)</p> <p style="font-size: small;">46-0001-62</p>
<p>By all State and Federal laws, implement lights do not replace the SMV (Slow-Moving Vehicle) Identification Emblem. All towed agricultural vehicles must display SMV Emblems when traveling LESS than 25 mph (40 Km/h).</p>	

## REAR UNLOAD OPERATION

Whenever adjusting, cleaning, lubricating or otherwise servicing this forage box, you must shutoff and lockout power to the box. Because this box can be truck mounted or powered by a tractor, methods vary. On truck mounted units, the connection between the PTO and box is permanently installed and not intended to be disconnected. On trucks, disengage the PTO drive, turn off the engine, set the parking brake, remove the ignition keys and keep them in your possession to prevent anyone else from accidentally applying power to the box unexpectedly. For tractors, disengage the hydraulics, turn off the engine and set the brakes.

Throughout this manual, when directed to shutoff and lockout power, be familiar with the previously described procedures for the type of machine you are operating.



**WARNING: MAKE CERTAIN EVERYONE IS WELL CLEAR OF EQUIPMENT BEFORE APPLYING POWER. FAILURE TO HEED MAY RESULT IN SERIOUS PERSONAL INJURY OR DEATH.**

Tractor Pulled:

Always park the forage box and unloading tractor in a straight line. Shift the unloading tractor to "Neutral" or "Park". Set the brakes and turn power off.

Make sure all persons are well clear of the forage box and the unloading area.

The rear discharge door opens automatically by releasing its latches as the main aprons begin to move. The rear discharge door can spring open with extreme force when its latches release. See figure 1. Pressure of forage against the rear door causes it to spring open very quickly.

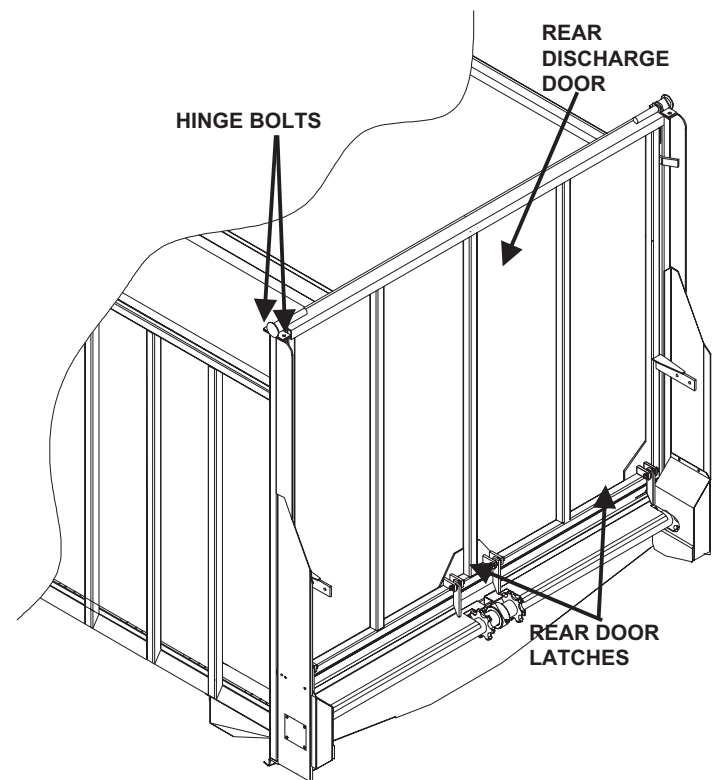


**WARNING: THE REAR DISCHARGE DOOR CAN SPRING OPEN QUICKLY AND WITH EXTREME FORCE. KEEP ALL PERSONS WELL CLEAR OF THE FORAGE BOX AND UNLOADING AREA. FAILURE TO HEED MAY RESULT IN SERIOUS PERSONAL INJURY OR DEATH.**

From the operator's seat, restart, and **SLOWLY** engage the apron chains to open the rear door. Once the door opens, regulate the discharge flow with the engine speed. Do not operate above rated engine speed.

Unloading is best observed from the operator's seat. Keep moving the forage box forward to prevent silage from being carried underneath into the main apron chain return area.

The front of the box has a plexiglass window for convenient observation.



**FIGURE 2. REAR OPENING DISCHARGE DOOR CAUTION - QUICK RELEASE**



**WARNING: DO NOT STEP UP ON ANY PART OF THE FORAGE BOX AT ANY TIME. FAILURE TO HEED MAY RESULT IN SERIOUS PERSONAL INJURY OR DEATH.**

The unloading process described is to be performed by the operator alone. This will eliminate unexpected “start-ups” and minimize other hazards that could result by more than one person in control. If the forage box should become clogged, shut off all power to the forage box and wait for all motion to stop. Shut off and lockout power. Then clean out the machine.

When finished unloading reduce engine speed to idle and disengage the truck PTO drive or the tractor hydraulics. Pull the rear unload box straight ahead to pull the door away from the unloaded pile of forage. When free, gravity will allow the door to swing shut and the door latches will engage the apron chain links to secure it shut. Observe that this happens properly.



**WARNING: SHUT OFF AND LOCK OUT POWER BEFORE CLEANING, ADJUSTING, LUBRICATING OR SERVICING THIS MACHINE. FAILURE TO HEED MAY RESULT IN SERIOUS PERSONAL INJURY OR DEATH.**

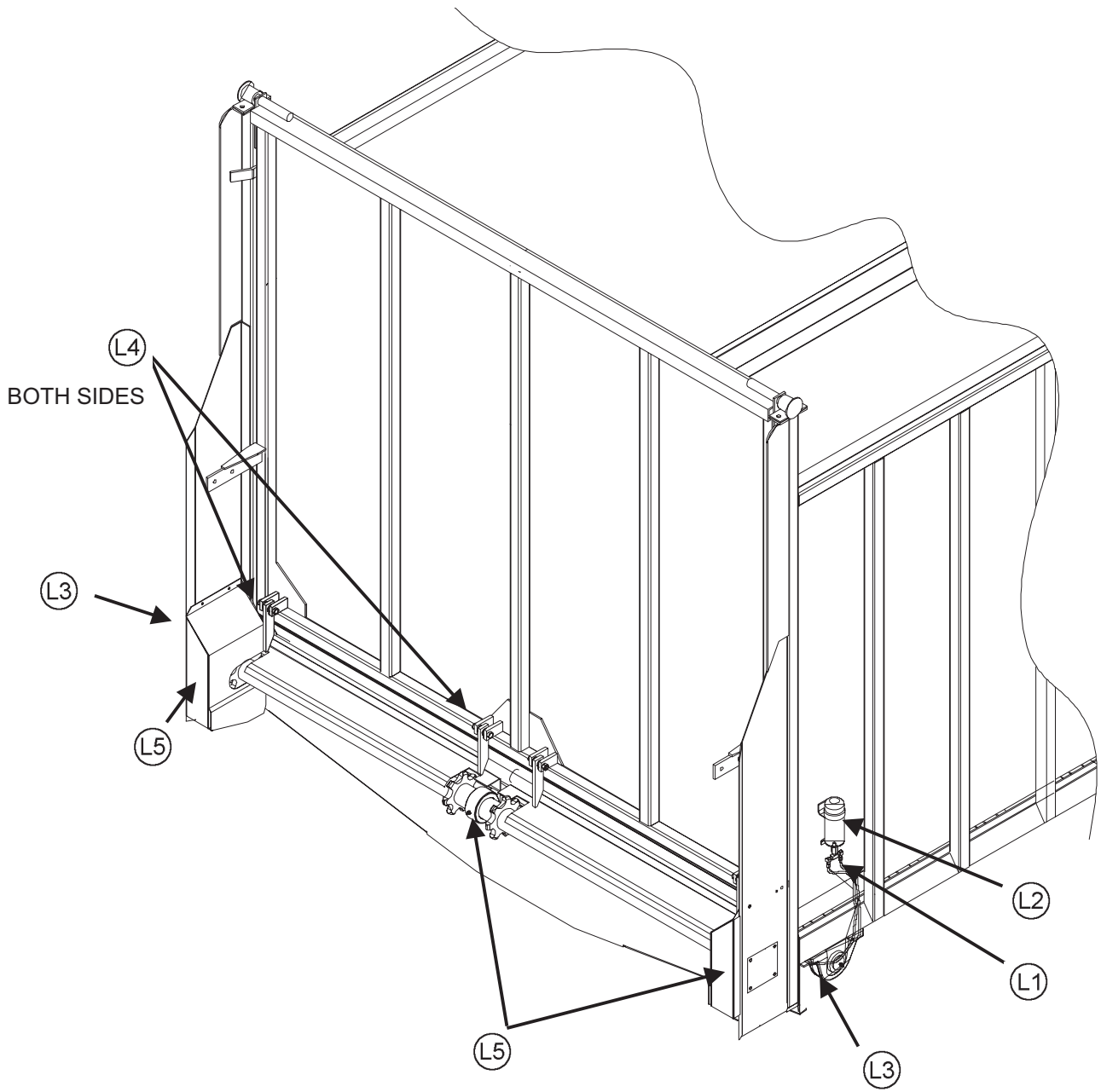
Allow box to completely clean out the last load of forage. It is recommended to lube the rear unload box before storage to exclude moisture from bearings. Apply oil to roller chain drives with gravity oil luber and to the apron chains with a brush. This is also a good time to inspect all adjustments and check for parts that need repair or replacement. Performing these tasks now will guarantee that the box is ready for use at the beginning of the next season.

Never use “live” power to aid in the clean-out of a clogged machine. If any mechanism fails, move the forage box to a safe work area and then repair the mechanism before proceeding with unloading of the forage. If repairs require removal of forage from inside the forage box, remove the rear discharge door (bolted hinges on top of each side) and empty the forage manually by hand through the rear opening.



**DANGER: NEVER ENTER THE FORAGE BOX FOR ANY REASON WITHOUT FIRST SHUTTING OFF AND LOCKING OUT POWER. FAILURE TO HEED MAY RESULT IN SERIOUS PERSONAL INJURY OR DEATH.**

Never enter the forage box for any reason if there is any possibility of power being applied to the unit.



**LUBRICATION DIAGRAM**

# LUBRICATION



**WARNING: SHUT OFF AND LOCK OUT POWER BEFORE CLEANING, ADJUSTING, LUBRICATING OR SERVICING THIS MACHINE. FAILURE TO HEED MAY RESULT IN SERIOUS PERSONAL INJURY OR DEATH.**

## DAILY LUBRICATION

(every 8-10 loads)

(L1)

Oil (3) roller chains on apron drive. This is done by opening the ball valve on the gravity oiler while unloading, once per day.



**WARNING: DO NOT STAND BEHIND UNIT WHILE PERFORMING THIS OPERATION.**

(L2)

Refill the gravity oiler at the beginning of each day.

(L3)

Grease three jackshaft bearings on the rear driveshaft (each end, one @ center).

(L4)

Oil (4) rear gate latch pivot bolts.

(L5)

Grease (3) main apron shaft bearings.

## END OF CROP CLEANUP AND MAINTENANCE

Allow box to completely clean out last load of forage. Clean out all forage material from inside the box and on the outside of the box.

It is recommended to lube the forage box before storage to exclude moisture from bearings. Apply oil to roller chain drives with the gravity oil luber and to the main apron chains with a brush.

It is also a good time to inspect all adjustments and check for parts that need repair or replacement. Performing these tasks now will guarantee that the forage box is ready for use at the beginning of the next season.

# ADJUSTMENTS

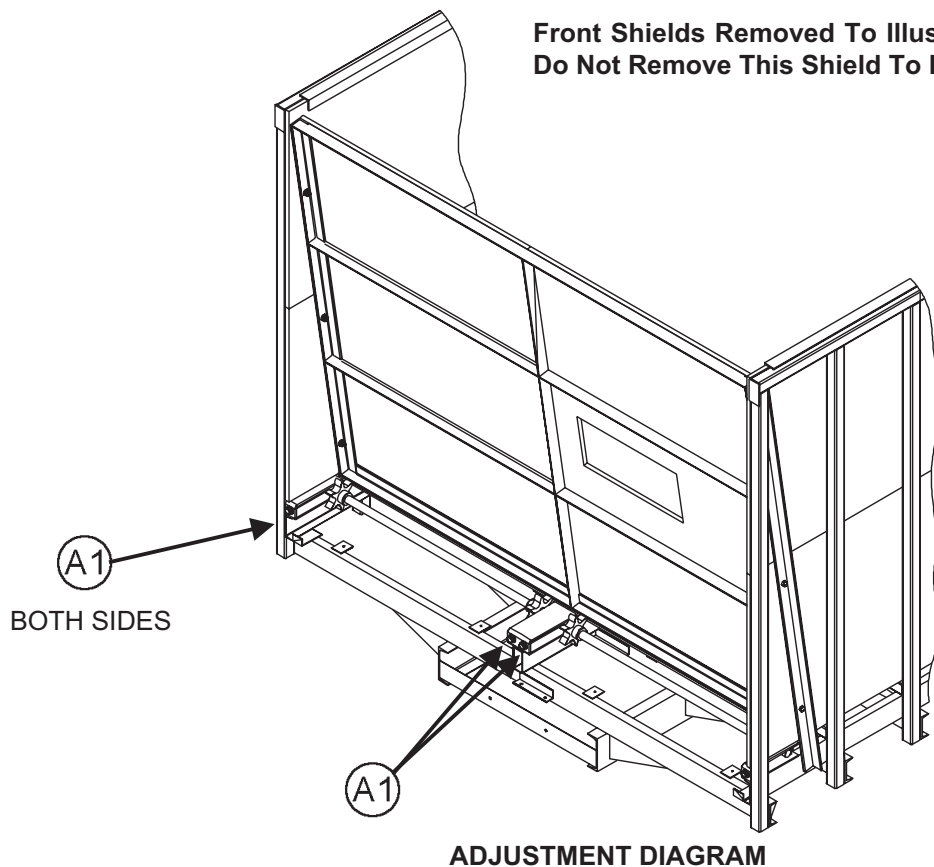


**WARNING: SHUT OFF AND LOCK OUT POWER BEFORE CLEANING, ADJUSTING, LUBRICATING OR SERVICING THIS MACHINE. FAILURE TO HEED MAY RESULT IN SERIOUS PERSONAL INJURY OR DEATH.**

(A1)

Correct tension on the apron chains is when the apron chain slat is 1/8" to 1/4" off the return slides (three feet from the front of the box). To tighten chains, tighten the adjuster bolts at each end of the front sprocket shafts. Each apron chain has its own sprocket shaft. Tighten the adjuster bolts at each end of the shaft equally.

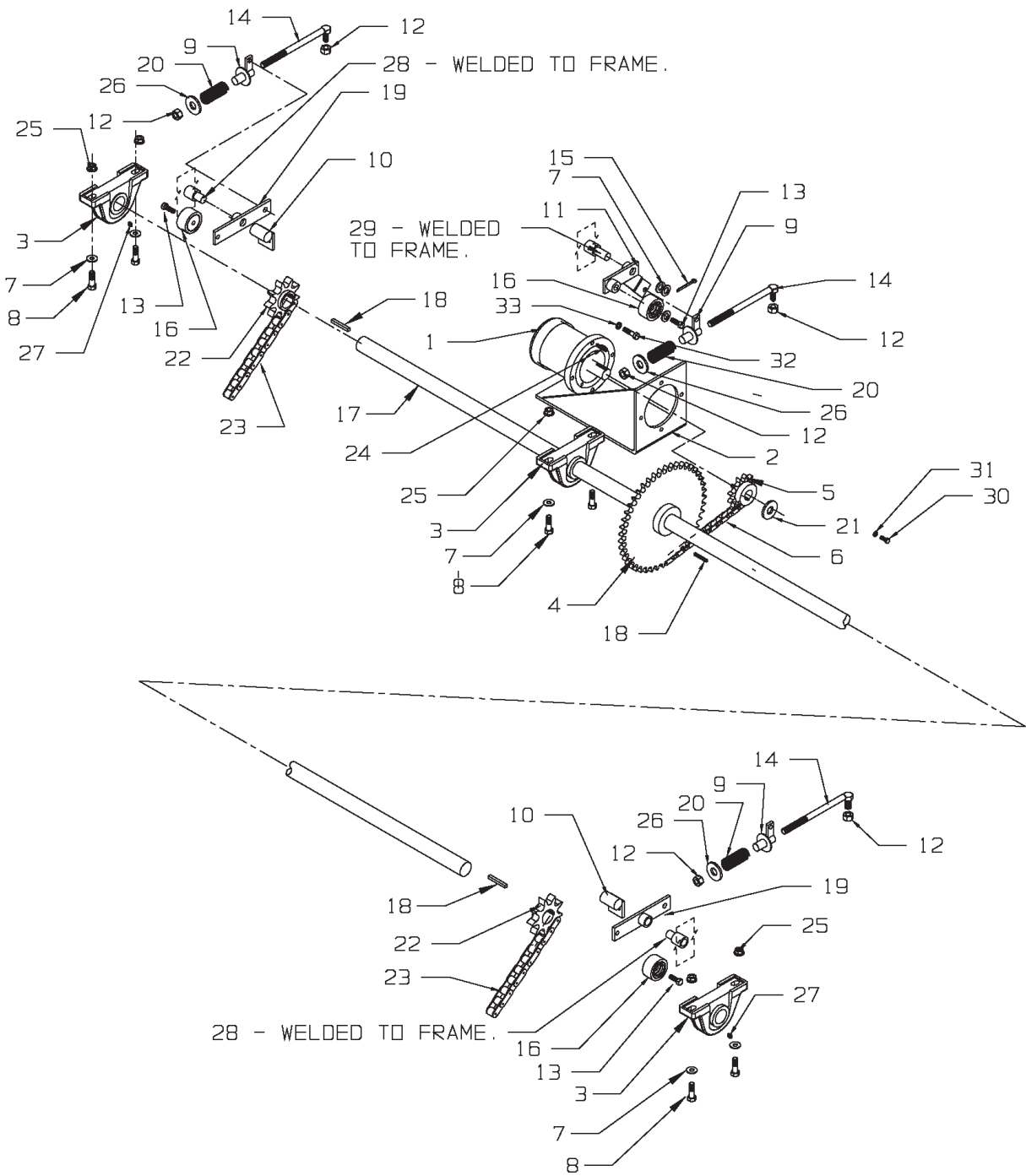
The roller chain drives are tensioned by automatic spring loaded tension blocks. Periodically tighteners will need to be adjusted to maintain proper spring tension. Springs should be compressed to obtain approximately 5" overall length.





# REPAIR PARTS

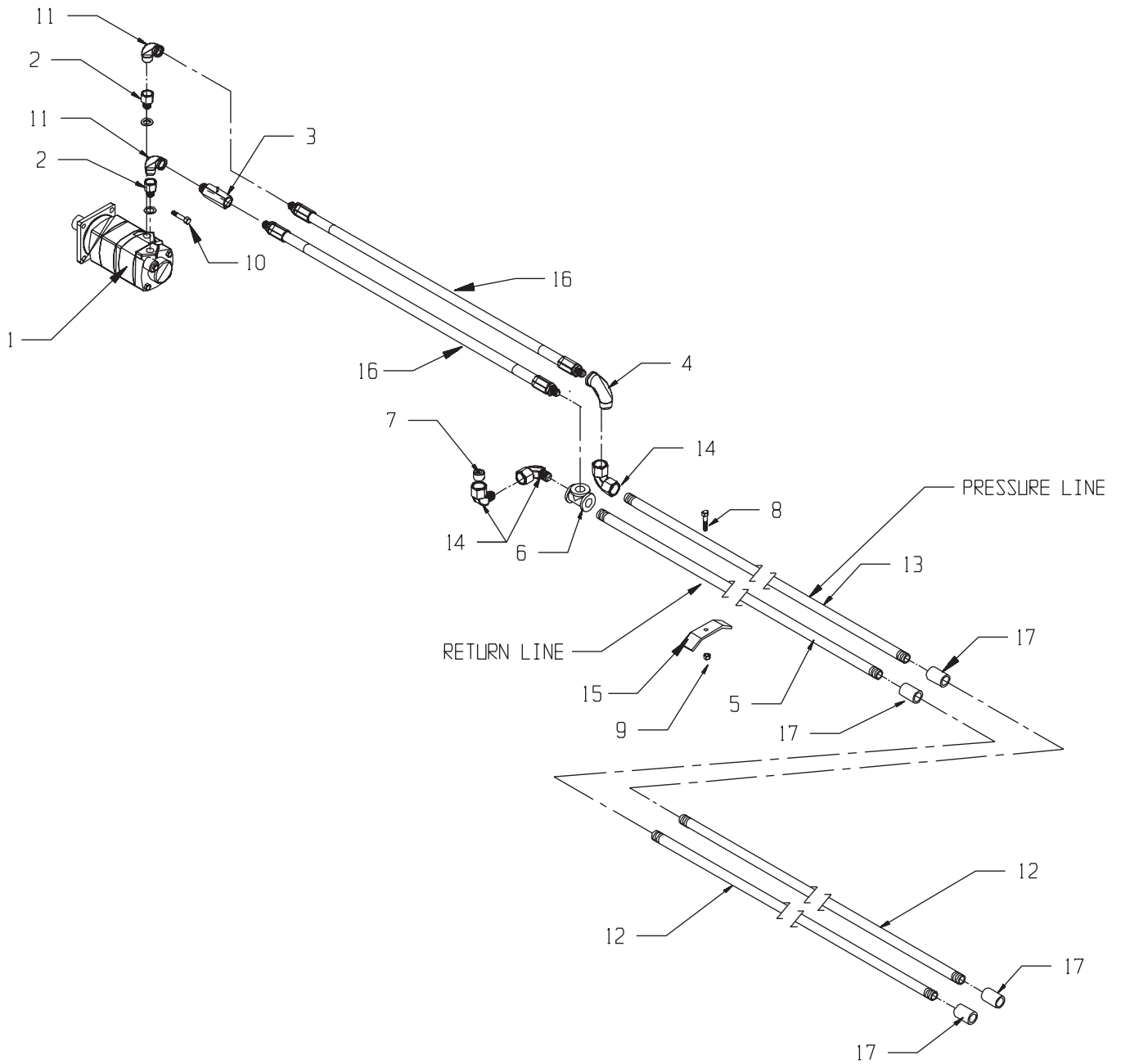
# GEARBOX & CHAIN DRIVE



## GEARBOX & CHAIN DRIVE

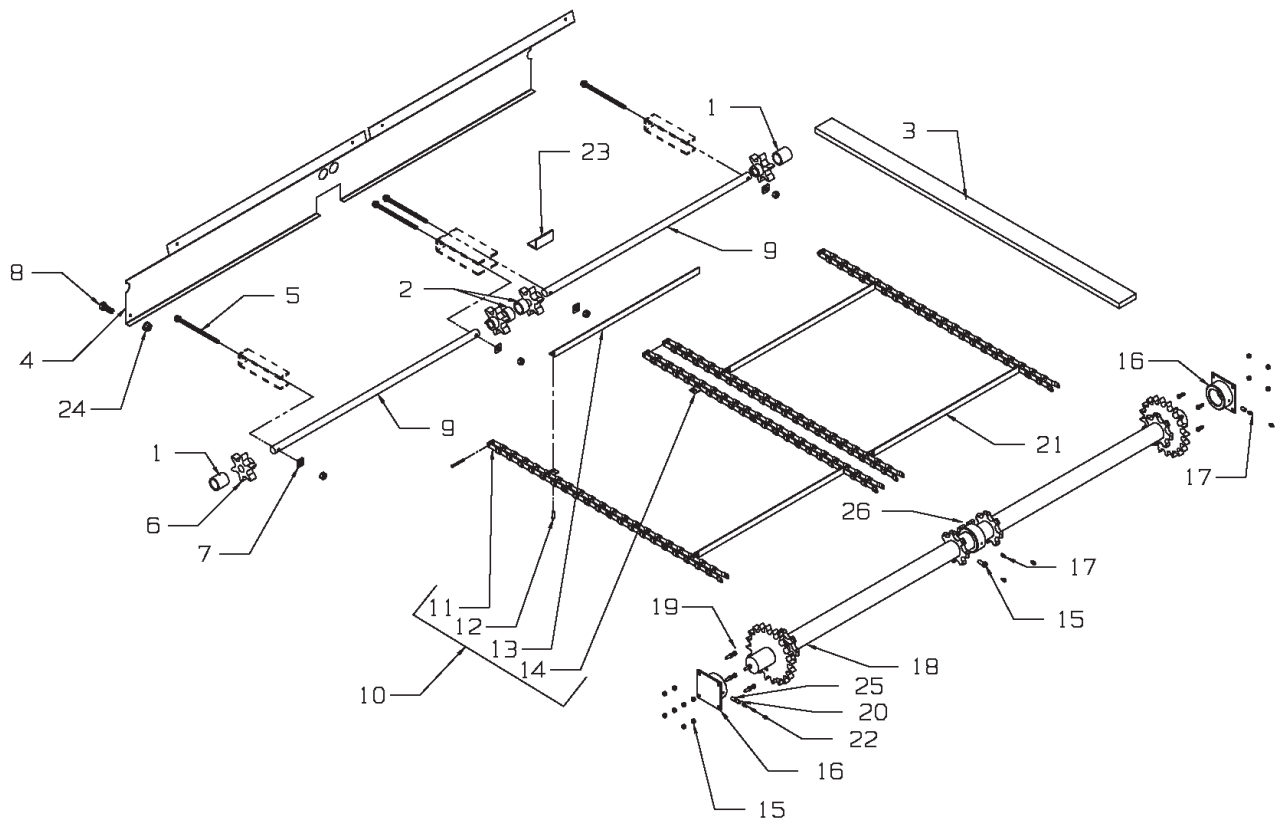
KEY	PART NO.	DESCRIPTION
1	55-0122	Hydraulic Motor
2	25-8202	Motor Bracket
3	14-0044	2" Pillow Block Bearing
4	10-0091	Sprocket, 120B30, 2" Bore, 1/2" Key
5	10-0090	Sprocket, 120B9, 1-1/2" Bore, 1/2" Key
6	11-0133	#120-50 Roller Chain
7	805-0063-Z	Washer, 5/8" Flat
8	851-6311-2.5Z	Bolt, 5/8-11 x 2-1/2 Hex Head Machine Bolt
9	25-8207	Chain Tightener Spring Sleeve Weldment
10	25-8209	Apron/Tightener Holder Assembly
11	25-8206-1	Center #120 Tightener Arm Less Roller
12	815-7510-Z	3/4-10 Nylon Insert Locknut
13	851-7510-3Z	3/4-10 x 3" M.B.
14	25-8204	Chain Tightener Adjuster Rod
15	38-0013	5/16 x 1-3/4" Roll Pin
16	912-0016	7/8" Nylon Roller Complete
16A	912-0016-1	Nylon Roller Only
16B	912-0016-2	Inner Sleeve
17	23-0102-1	Jackshaft, 2" x 96"
18	35-0024	Key, 1/2" x 1/2" x 2 1/2" (1045 Mat)
19	25-8205-1	Tightener Arm Assembly, Less Roller
20	29-0009	Compression Tightener Spring
21	75-0453	Spindle Washer Punchout
22	10-0085	Sprocket, 120B9, 2" Bore, 1/2" Key
23	11-0132	#120-46 Roller Chain
24	35-0009	3/8 x 3/8 x 2-1/4" Key (1045 Material)
25	810-6311-Z	5/8-11 Spin Locknut
26	805-0075-Z	Bolt Guide Sleeve Plate
27	30-0010	1/8" NPT Zerk
28	25-8208	Tightener Pivot Shaft
29	25-8210	Center Tightener Pivot Shaft
30	851-3816-1Z	Bolt, 3/8-16 x 1" Hex Head Machine Bolt
31	806-0038-Z	3/8" Internal Tooth Lockwasher
32	851-5013-2Z	Bolt, 1/2-13 x 2" Hex Head Machine Bolt
33	810-5013-Z	1/2-13 Spin Locknut

# HYDRAULIC PLUMB TO THE FRONT



<b>KEY</b>	<b>PART NO.</b>	<b>DESCRIPTION</b>
1	55-0122	9100 Hydraulic Motor
2	55-0130	#59-16-12 Female Swivel Fitting
3	55-0007-B	3/4" Check Valve
4	55-0027	3/4 x 90 Degree Elbow
5	55-0138	3/4" Hydraulic Pipe x 233" (9122)
	55-0124	3/4" Hydraulic Pipe x 252" (9124/26/28/30/36)
6	55-0079	3/4" Black Steel Tee Fitting
7	55-0081	3/4" Steel Plug
8	851-3816-2Z	3/8-16 x 2" M.B. Zinc
9	815-3816-Z	3/8-16 Nylon Insert Locknut
10	851-5013-2Z	1/2-13 x 2" M.B. Zinc
11	55-0129	90 Degree Swivel Fitting
12	55-0136	3/4" Hydraulic Extension Pipes x 6" (9124)
	55-0135	3/4" Hydraulic Extension Pipes x 22" (9126)
	55-0134	3/4" Hydraulic Extension Pipes x 54" (9128)
	55-0133	3/4" Hydraulic Extension Pipes x 70" (9130)
	55-0125	3/4" Hydraulic Extension Pipes x 150" (9136)
13	55-0137	3/4" Hydraulic Pipe x 226" (9122)
	55-0126	3/4" Hydraulic Pipe x 249" (9124/26/28/30/36)
14	55-0082	3/4 x 90 Degree Street Elbow
15	100-8025-62	Hydraulic Pipe Clamp
16	55-0029	3/4" Hydraulic Hose x 36" Long
17	55-0030	3/4" Black Steel Coupler

# APRON

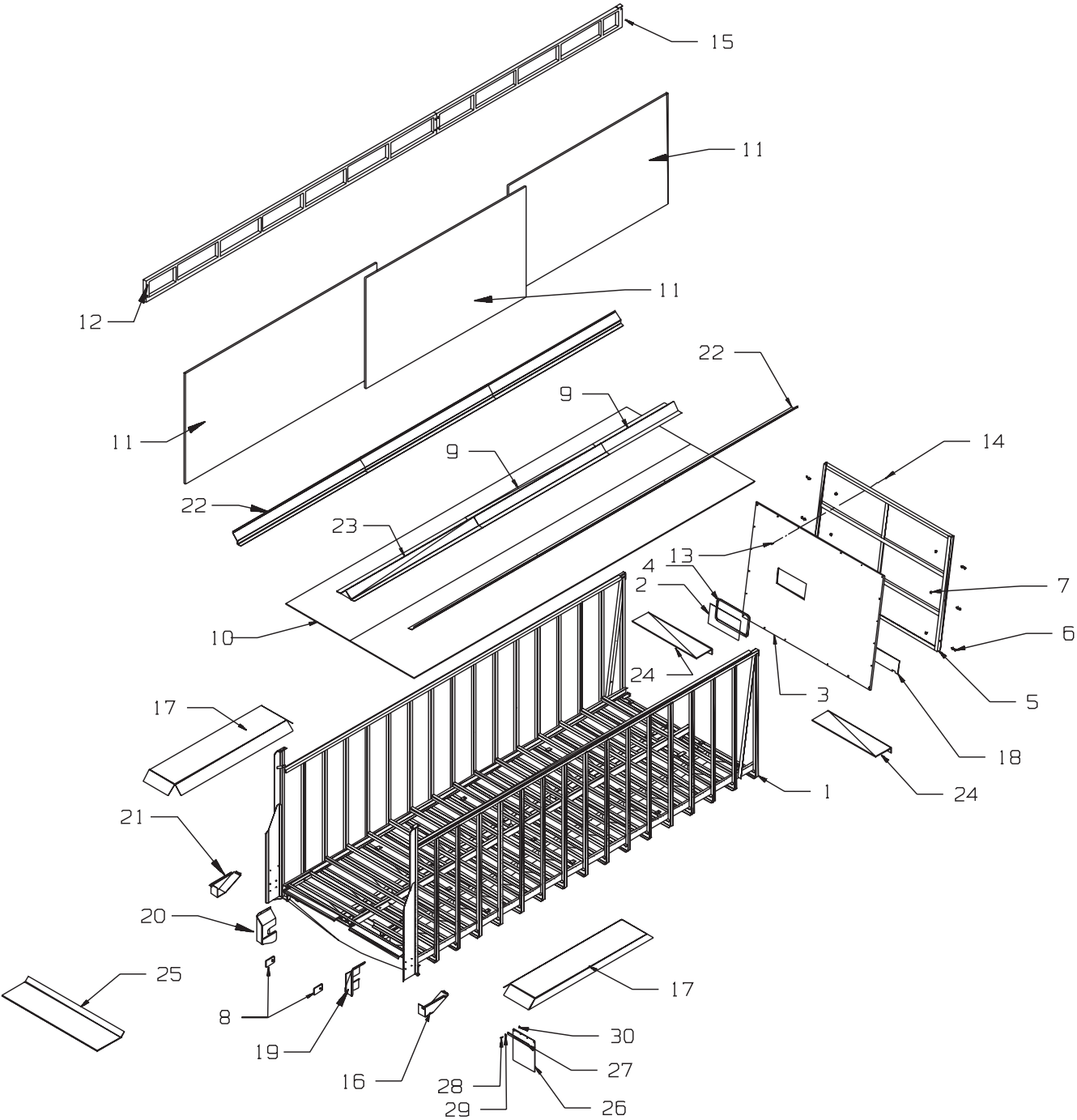




## APRON

KEY	PART NO.	DESCRIPTION
1	23-0103-2	Outer Sprocket Spacer
2	23-0103-1	Inner Sprocket Spacer
3	701-.75-1.75-16	Chain Return Slide Rail (As Required)
	701-.75-1.75-18	Chain Return Slide Rail (As Required)
	701-.75-1.75-20	Chain Return Slide Rail (As Required)
4	24-8206	9100 Front Apron Chain Shield
5	25-8201	Apron Chain Tightener Bolt
6	10-0092-1	Idler Sprocket w/Bushing
	13-0020	Bushing, 1-3/4" ID x 2" OD x 1-1/2" Long
7	25-8200	Tightener Block Weldment
8	851-3816-1Z	3/8-16 x 1" M.B. Zinc
9	23-0103-1	Idler Shaft
10	11-0107	Main Apron Assy. (22 Ft.) 667XH (Prior to Serial # 0891238)
	11-0107-K	Main Apron Assy. (22 Ft.) 667K (Serial # 0891238 & Later)
	11-0125	Main Apron Assy. (24 Ft.) 667XH (Prior to Serial # 0891238)
	11-0125-K	Main Apron Assy. (24 Ft.) 667K (Serial # 0891238 & Later)
	11-0134	Main Apron Assy. (26 Ft.) 667XH (Prior to Serial # 0891238)
	11-0134-K	Main Apron Assy. (26 Ft.) 667K (Serial # 0891238 & Later)
	11-0135	Main Apron Assy. (28 Ft.) 667XH (Prior to Serial # 0891238)
	11-0135-K	Main Apron Assy. (28 Ft.) 667K (Serial # 0891238 & Later)
	11-0136	Main Apron Assy. (30 Ft.) 667XH (Prior to Serial # 0891238)
	11-0136-K	Main Apron Assy. (30 Ft.) 667K (Serial # 0891238 & Later)
	11-0137	Main Apron Assy. (36 Ft.) 667XH (Prior to Serial # 0891238)
	11-0137-K	Main Apron Assy. (36 Ft.) 667K (Serial # 0891238 & Later)
	11-0142	Main Apron Assy. (40 Ft.) 667XH (Prior to Serial # 0891238)
	11-0142-K	Main Apron Assy. (40 Ft.) 667K (Serial # 0891238 & Later)
11	11-0107-2	Pintle Chain Link-D667XH (Prior to Serial # 0891238)
	11-0160-1-2	Pintle Chain Link-D667K (Serial # 0891238 & Later)
12	11-0107-6	Rivet, 7/16 x 1"
13	11-0107-5	Slat
14	11-0107-3	Attachment Link-D667XH (Prior to Serial # 0891238)
	11-0160-1-1	D667K Attachment Link (Serial # 0891238 & Later)
15	810-5013-Z	1/2-20 Spin Locknut
16	14-0041	RH/LH Main Drive Shaft Bearing Assembly
17	30-0002	1/8" NPT Straight Zerk
18	23-0101	9100 Main Drive Shaft Assembly
19	851-5013-1.25Z	1/2-13 x 1-1/4" M.B. Zinc
20	30-0009	Coupler 1/8" NPT x 3/4" Long
21	11-0107-1	667XH Slat w/Attachment Links (Prior to Serial # 0891238)
	11-0107-1-K	667K Slat w/Attachment Links (Serial # 0891238 & Later)
22	30-0006	1/8" NPT x 90 Degree Zerk
23	25-8000-1	Front Gate Center Support
24	810-3816-Z	3/8-16 Spin Locknut
25	30-0016	1/8" NPT Close Nipple
26	14-0051	Split Center Bearing (Replacement)

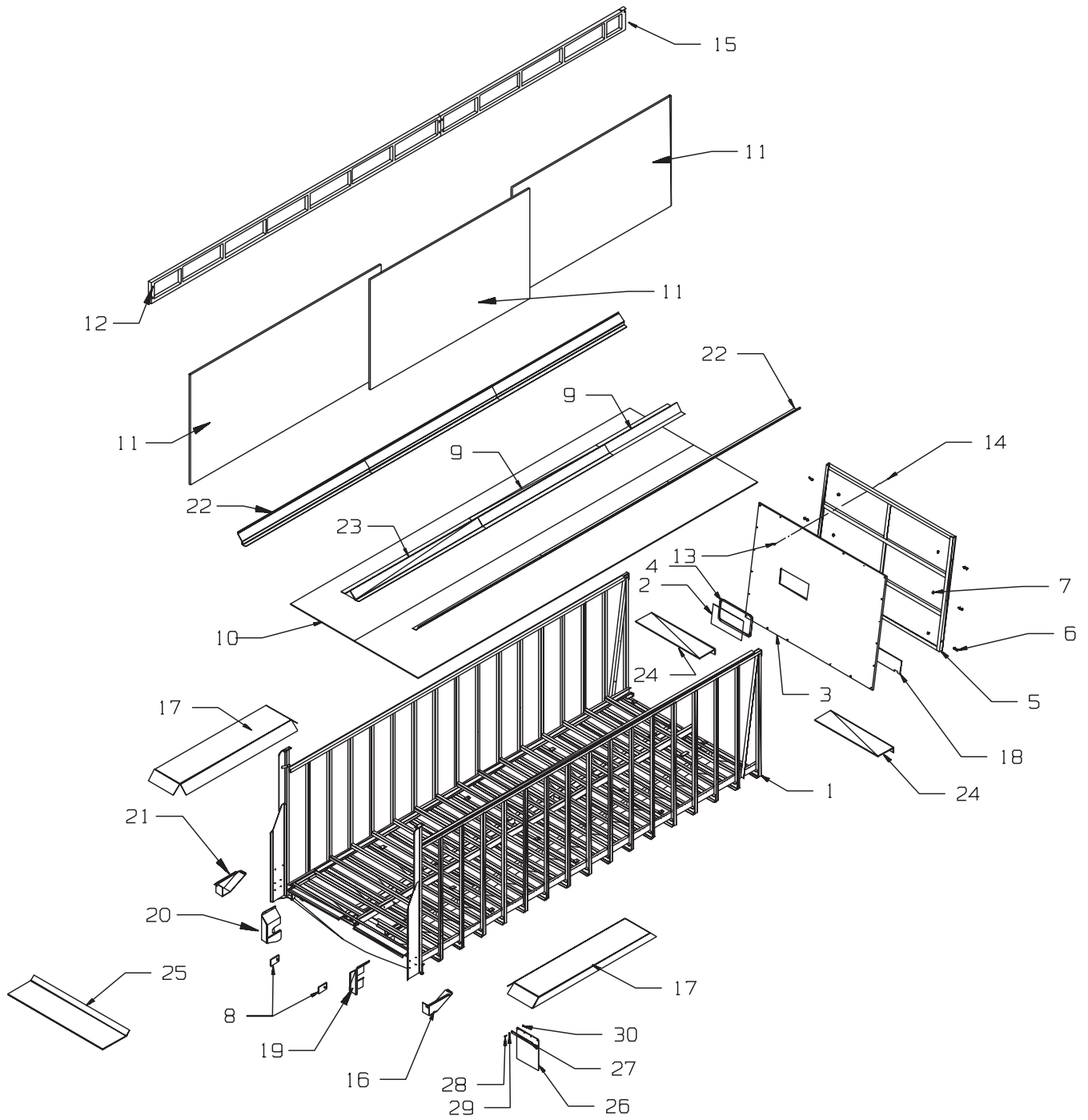
# 9100 MAIN BODY (1 of 2)



## 9100 MAIN BODY (1 OF 2)

KEY	PART NO.	DESCRIPTION
1	100-8031	9122 Main Frame & Side Assembly
	100-8030	9124 Main Frame & Side Assembly
	100-8029	9126 Main Frame & Side Assembly
	100-8027	9128 Main Frame & Side Assembly
	100-8028	9130 Truck Main Frame & Side Assembly
	100-8026	9130 Trailer Main Frame & Side Assembly
	100-8025	9136 Trailer Main Frame & Side Assembly
2	49-0089	Plexiglas Viewing Window
3	100-8050-2	Front Gate Stainless Steel Panel
4	33-0045	Viewing Window Weather-strip (By the Foot)
5	100-8050	9100 Stainless Steel Front Gate Complete
	100-8050-1	9100 Front Gate Welded Assembly
6	851-5013-1.5Z	1/2-13 x 1-1/2" Machine Bolt Zinc
7	810-5013-Z	1/2-13 Spin Locknut
8	49-0093	Main Roller Belting Seal 1/8 x 5 x 12"
9	25-8027-1	Center Floor Chain Guide 96"-Front / Middle
	25-8028-1	Center Floor Chain Guide 48"-Front / Middle
10	709-48-254.5	9122 Superslick Floor Panel 48 x 254-1/2"
	709-48-286.5	9124 Superslick Floor Panel 48 x 286-1/2"
	709-48-302.5	9126 Superslick Floor Panel 48 x 302-1/2"
	709-48-334.5	9128 Superslick Floor Panel 48 x 334-1/2"
	709-48-350.5	9130 Superslick Floor Panel 48 x 350-1/2"
	709-48-430.5	9136 Superslick Floor Panel 48 x 430-1/2"
11	100-8042-1	Stainless Steel Side Panel 72 x 120" (9122/24/28/30/36)
	100-8042-2	Stainless Steel Side Panel 72 x 144" (9122/26/28/30)
	100-8043-1	Stainless Steel Side Panel 72 x 65" (9124)
	100-8057-1	Stainless Steel Side Panel 72 x 96" (9126/36)
NS	25-8050	Front Screen Extension (All 9100's)(Optional Bolt In) (Not Shown)
NS	25-8050-S	Front Solid Extension (All 9100's)(Optional Bolt In) (Not Shown)
12	25-8051	261-1/2" Left Screen Extension (9122/24)
	25-8051-S	261-1/2" Left Solid Extension (9122/24)
	25-8250	219-1/2" Left Rear Extension (9136)
	25-8250-S	219-1/2" Left Rear Solid Extension (9136)
	25-8254	139-1/2" Left Rear Screen Extension (9130)
	25-8254-S	139-1/2" Left Rear Solid Extension (9130)
	25-8256	123-1/2" Left Rear Screen Extension (9128)
	25-8256-S	123-1/2" Left Rear Solid Extension (9128)
	25-8258	91-1/2" Left Rear Screen Extension (9126)
	25-8258-S	91-1/2" Left Rear Solid Extension (9126)

9100 MAIN BODY (2 OF 2)

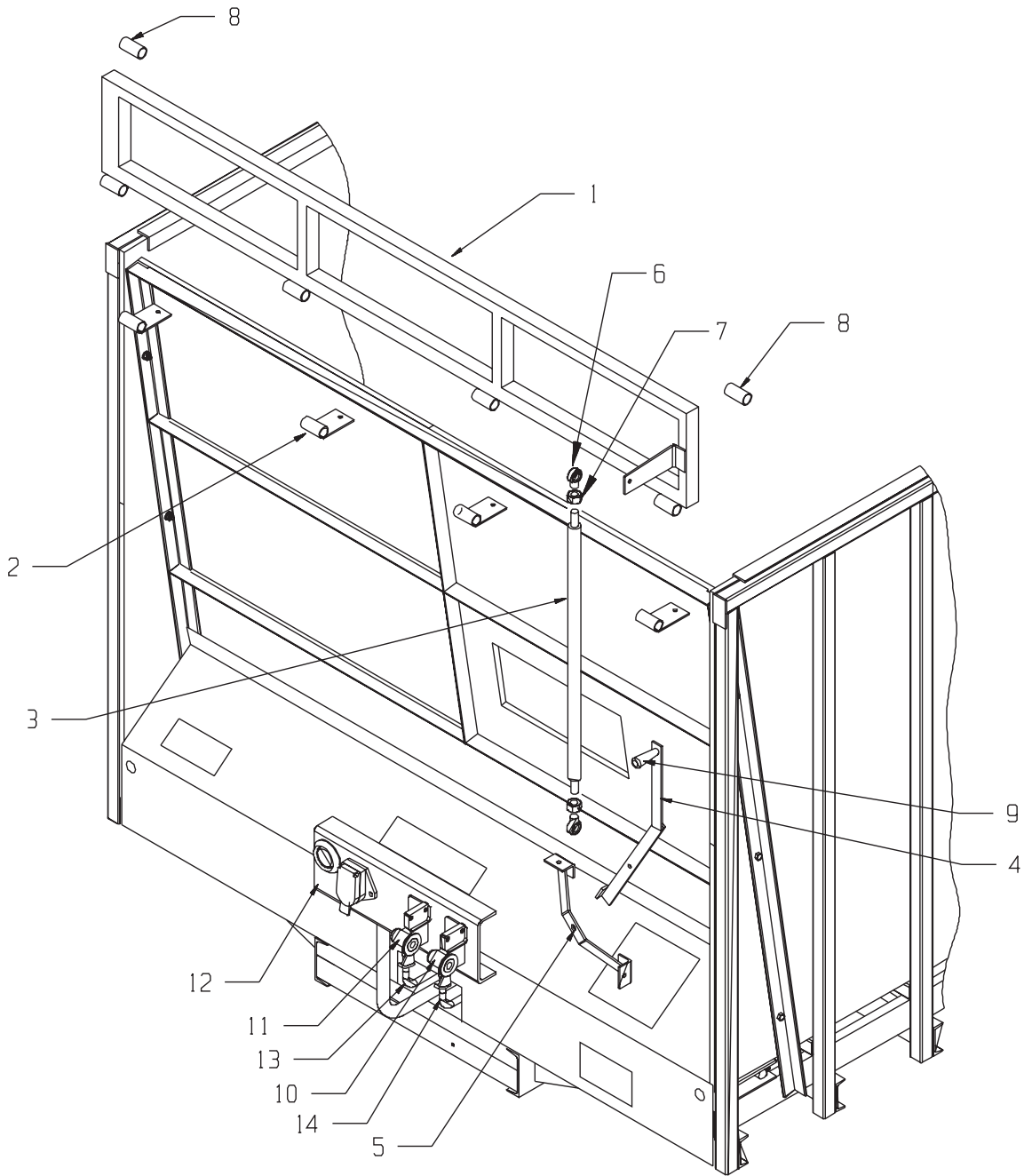


## 9100 MAIN BODY (2 OF 2)

NS	25-8052	261-1/2" Right Screen Extension (9122/24) (Not Shown)
NS	25-8052-S	261-1/2" Right Solid Extension (9122/24) (Not Shown)
NS	25-8053	32" Left/Right Screen Extension (Not Shown)
NS	25-8053-S	32" Left/Right Solid Extension (Not Shown)
NS	25-8253	218-1/2" Right Front Screen Extension (9126/28/30/36) (Not Shown)
NS	25-8253-S	218-1/2" Right Front Solid Extension (9126/28/30/36) (Not Shown)
NS	25-8251	219-1/2" Right Rear Screen Extension (9136) (Not Shown)
NS	25-8251-S	219-1/2" Right Rear Solid Extension (9136) (Not Shown)
NS	25-8255	139-1/2" Right Rear Screen Extension (9130) (Not Shown)
NS	25-8255-S	139-1/2" Right Rear Solid Extension (9130) (Not Shown)
NS	25-8257	123-1/2" Right Rear Screen Extension (9128) (Not Shown)
NS	25-8257-S	123-1/2" Right Rear Solid Extension (9128) (Not Shown)
NS	25-8259	91-1/2" Right Rear Screen Extension (9126) (Not Shown)
NS	25-8259-S	91-1/2" Right Rear Solid Extension (9126) (Not Shown)
13	851-2520-.75Z	1/4-20 x 3/4" M.B. Zinc
14	815-2520-Z	1/4-20 Nylon Insert Locknut
15	25-8252	218-1/2" Left Front Screen Extension (9126/28/30/36)
	25-8252-S	218-1/2" Left Front Solid Extension (9126/28/30/36)
16	24-8202	Right Hand Lower 120 Chain Shield
17	25-8008	Fender (Optional on Truck Mount Models)
18	49-0090	9100 Front Gate Belting
19	24-8204-3	Right Hand Upper 120 Chain Shield w/ Belting
20	24-8205-3	Left Hand Upper 120 Chain Shield w/ Belting
21	24-8203	Left Hand Lower 120 Chain Shield
22	25-8220-1	9100 Right/Left Side Chain Guide 120"
NS	25-8220-2	Front Right Floor Cap End Cap (Not Shown)
NS	25-8220-3	Front Left Floor Cap End Cap (Not Shown)
23	25-8024-1	Rear Center Floor Chain Guide 96"
NS	25-8021-1	Center V End Cap (Not Shown)
24	25-8203-1	Front Floor Cover
25	24-8201-1	Rear Lower Frame Cover (Trailer Mount Only)(Prior to Ser.#0591210)
	24-8209-1	Rear Lower Frame Cover (Trailer Mount Only)(Ser.#0591210 & Later)
26	49-0100	Meyer Mud Flap 9100
27	25-8212	Mud Flap Attaching Strap
28	851-3816-1.25Z	3/8-16 x 1-1/4" M.B. Zinc
29	805-0038-Z	3/8" Washer
30	815-3816-Z	3/8-16 Nylon Insert Locknut

**NOTE:** All extensions are available in either screen or solid panel. Front extension is standard as a solid fold down. See page 25 for fold down hinged front extension.

# FRONT AIR HOOK-UP & FRONT FOLD DOWN EXTENSION

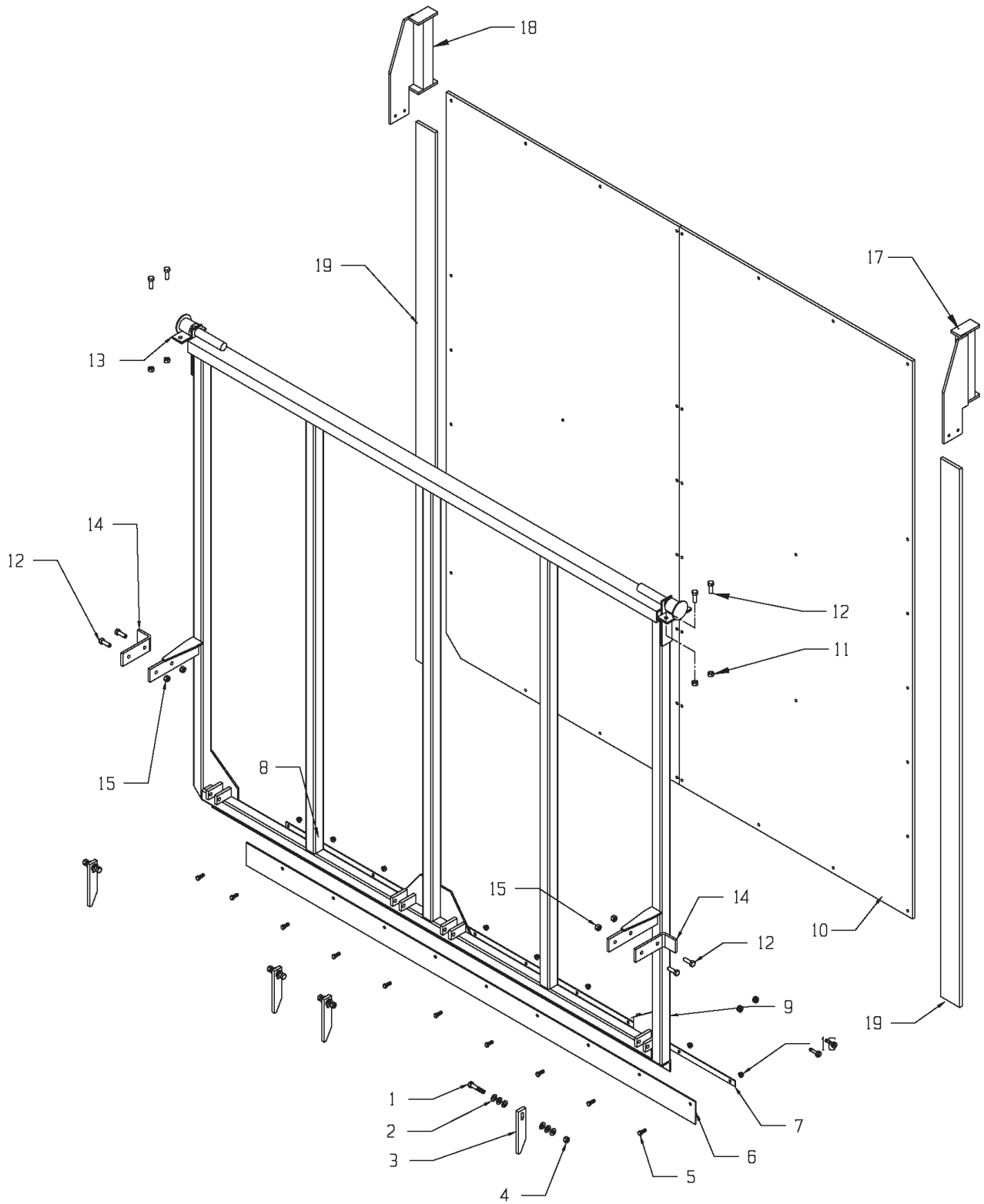




## FRONT AIR HOOK-UP & FRONT FOLD DOWN EXTENSION

KEY	PART NO.	DESCRIPTION
1	25-8059-S	Solid Fold Down Front Extension
	25-8059	Fold Down Front Screen Extension-Optional
2	100-8016	Hinge Mount Tab
3	25-8081	Linkage Pipe Assembly
4	25-8082	Handle Welded Assembly
5	100-8014	Handle Pivot Bracket
6	16-0027	Swivel Eyelet
7	813-5020-Z	1/2-20 Fine Threaded Nut Zinc
8	100-8020-64	Gate Stop Sleeve
9	51-0003	Rubber Grip
10	100-9000-2	Emergency Glad Hand-Red
11	100-9000-3	Service Glad Hand-Blue
12	100-8025-47	Front Receptacle Bracket
13	55-0170	3/8" MPT x 3/8" Tube Connector
14	55-0171	3/8" MPT x 1/2" Tube Connector

# REAR DOOR

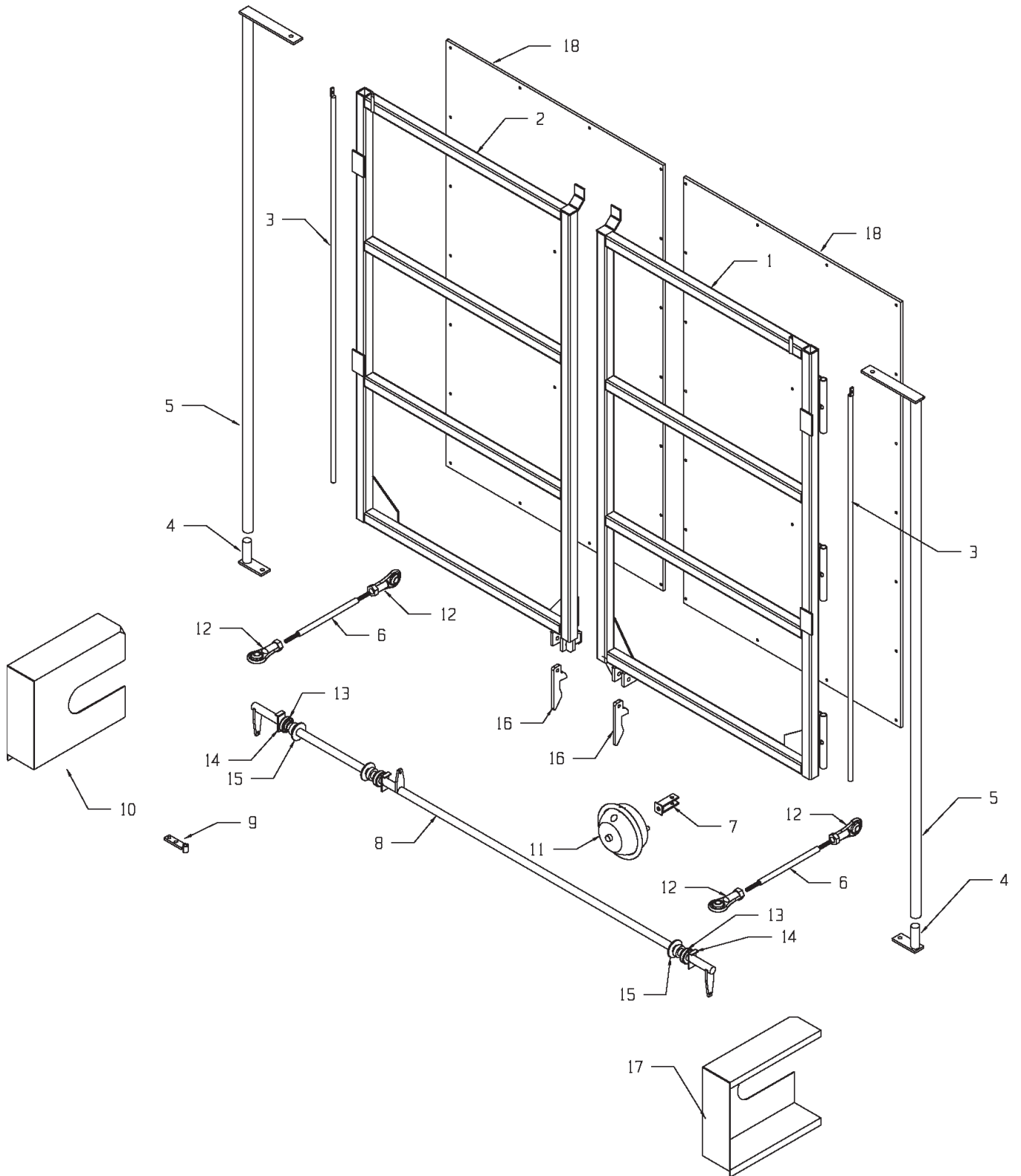


## REAR DOOR

KEY	PART NO.	DESCRIPTION
1	851-5013-2.5Z	1/2-13 x 2.5 Hex Head Machine Bolt
2	828-0050-Z	1/2" SAE Flat Washer
3	100-8012-7	Backgate Latch
4	814-5013-Z	1/2-13 Center Locknut
5	851-2520-.75Z	1/4-20 x 3/4" M.B. Zinc
6	49-0086	Backgate Belting
7	25-8005-1	Belting Attaching Strip, Right Hand
8	25-8005-2	Belting Attaching Strip, Left Hand
9	100-8055	Backgate Assembly Complete, (Standard Height Gate 82-1/2")
	100-8056	Backgate Assembly Complete, (High Back Gate 94-1/2")
9A	100-8015-1	Backgate Welded Assembly, (Standard Height Gate 82-1/2")
	100-8017-1	Backgate Welded Assembly, (High Back Gate 94-1/2")
10	100-8055-2	Standard Rear Gate Stainless Panel 48 x 80"
	100-8056-1	High Rear Gate Stainless Panel 48 x 92"
11	810-5013-Z	1/2-13 Spin Locknut
12	851-5013-1.5Z	1/2-13 x 1.5 Hex Head Machine Bolt
13	100-8012-15	Backgate Hinge Weldment
14	100-8013-6	Gate Stop
15	815-5013-Z	1/2-13 Nylon Locknut
16	810-2520-Z	1/4-20 Spin Locknut
17	100-8062	Right Pivot Extension Assembly (High Gate Only-Truck Mt.)
	*100-8066	Trailer R. Pivot Ext (Std Gate)
	*100-8064	Trailer R. Pivot Ext (High Gate)
18	100-8063	Left Pivot Extension Assembly (High Gate Only-Truck Mt.)
	*100-8067	Trailer L. Pivot Ext (Std Gate)
	*100-8065	Trailer L. Pivot Ext (High Gate)
19	49-0088	Side Gate Belting Seal 66"

\* Effective Serial No. 0591212 and later. Prior, see numbers 100-8062/100-8063 for high gate only.

# OPTIONAL DOUBLE DOOR



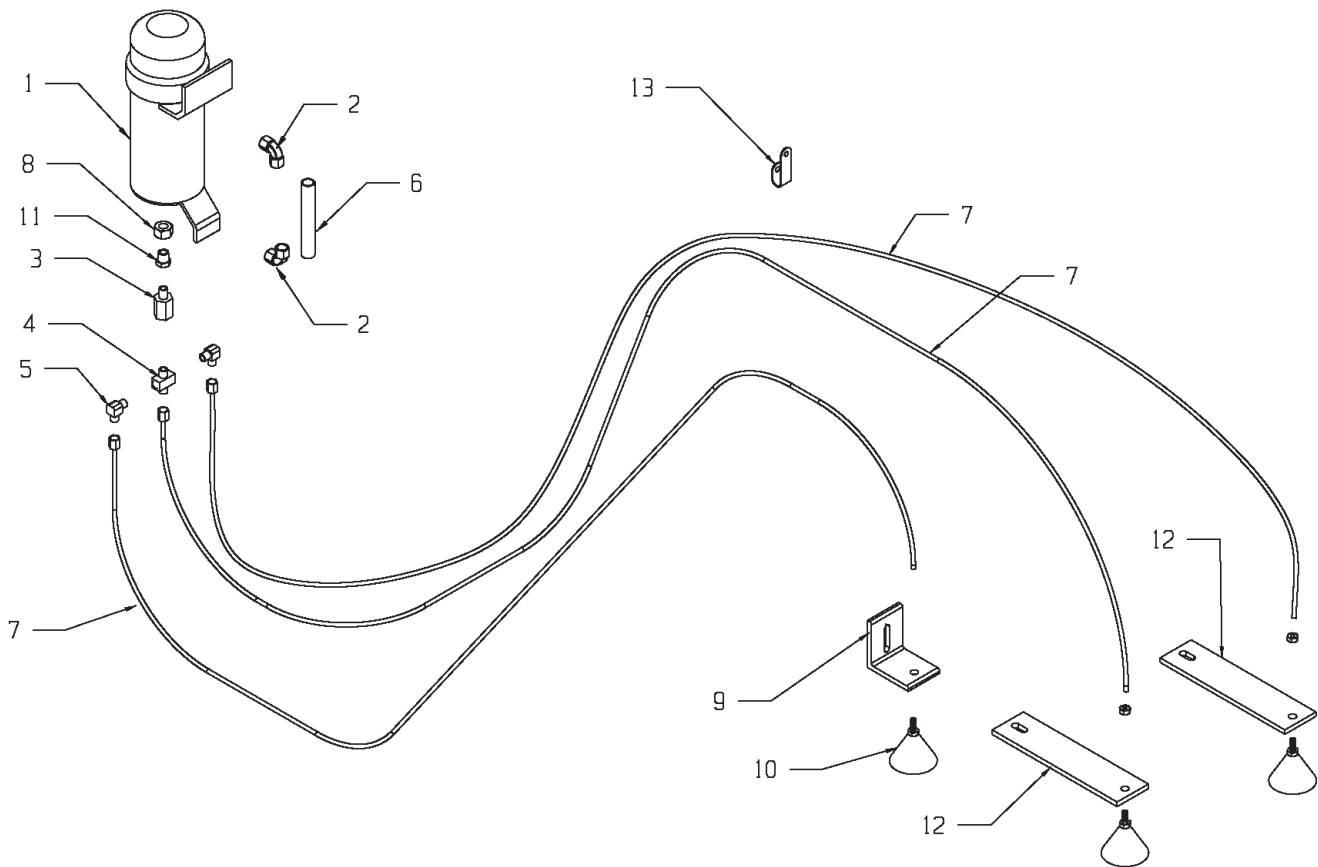
## OPTIONAL DOUBLE DOOR

KEY	PART NO.	DESCRIPTION
1	100-8109-1	9100 Right Hand Door Welded Assembly
	100-8109	9100 Right Hand Door Complete
2	100-8110-1	9100 Left Hand Door Welded Assembly
	100-8110	9100 Left Hand Door Complete
3	100-8102	Double Door Gate Hinge Pin Weldment
4	100-8103	Double Door Bottom Linkage Arm Weldment
5	100-8104	Double Door Linkage Pipe Weldment
6	100-8111	9100 Double Door Linkage Tie Rod Weldment
7	100-8106	Double Door Linkage Clevis Weldment
8	100-8112	9100 Double Door Linkage Pivot Shaft Weldment
9	100-8108	Double Door Solenoid Mount Bracket
10	24-8208	Double Door Left #120 Chain Shield
11	55-0154	Double Door Air Chamber
12	16-0027	Double Door 1/2" Swivel Eyelet
13	14-0002-3	1-1/4" Bearing W/Lock Collar
14	14-0003-1	1-1/4" 2-Hole Pillow Block Flange
15	14-0003-2	1-1/4" 2-Hole Plain Flange
16	100-8100-6	Double Door Latch
17	24-8207	Double Door Right #120 Chain Shield
18	100-8100-16	Door Panel

### THE FOLLOWING ITEMS ARE NOT ILLUSTRATED

49-0033	Double Door Back Gate Belting 5" x 42"
55-0150	3/8" Air Line (25' Required)
55-0151	3/8" Hex Plug
55-0152	3/8 x 3/8 x 90 Degree Elbow
55-0153	3/8" x 1/8" Connector
55-0155	12 Volt Solenoid Valve

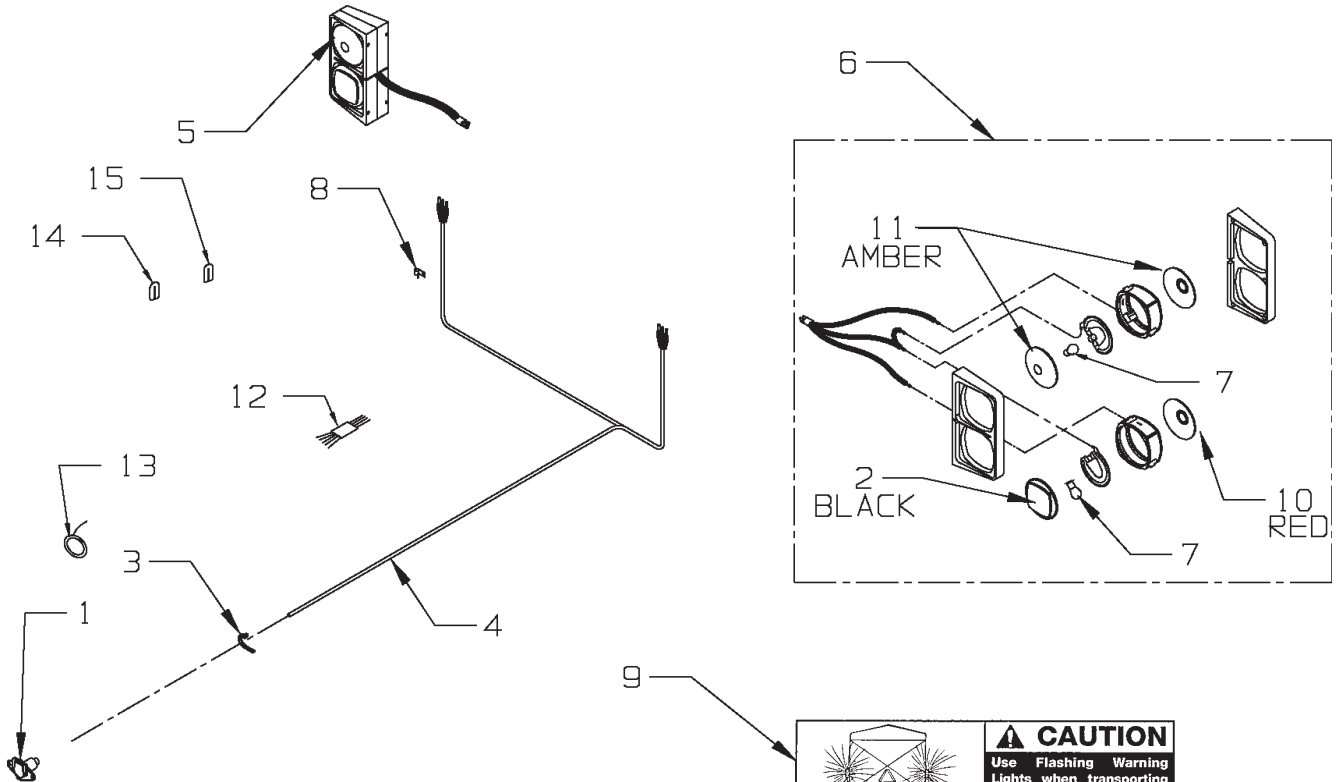
## ROLLER CHAIN OILER



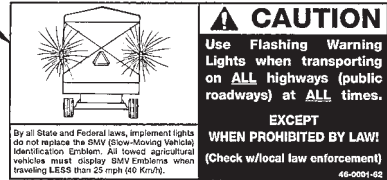
KEY	PART NO.	DESCRIPTION
1	33-8001-1	Oil Reservoir
	33-8001	9100 Oil Reservoir Complete w/Fittings
2	30-0015	1/4 x 90 Degree Elbow
3	33-8000-6	Ball Valve
4	33-8002-2	Brass Female Cross
5	33-8000-5	90 Degree Brass Compression Fitting
6	33-8001-2	Oiler Site Tube
7	952-0001-1-21	Tubing, 5/32" Nylon (By the Foot)
8	33-8001-4	1/8" NPT Nut
9	33-8000-10	Chain Brush Holder-Center
10	952-0001-1-25	Brush Assembly with 5/32" Insert & 1/2-20 Nut
11	33-8001-5	1/8" NPT Nipple
12	33-8000-11	Chain Brush Holder-Outer
13	08-0050	5/16" Loom Clamp



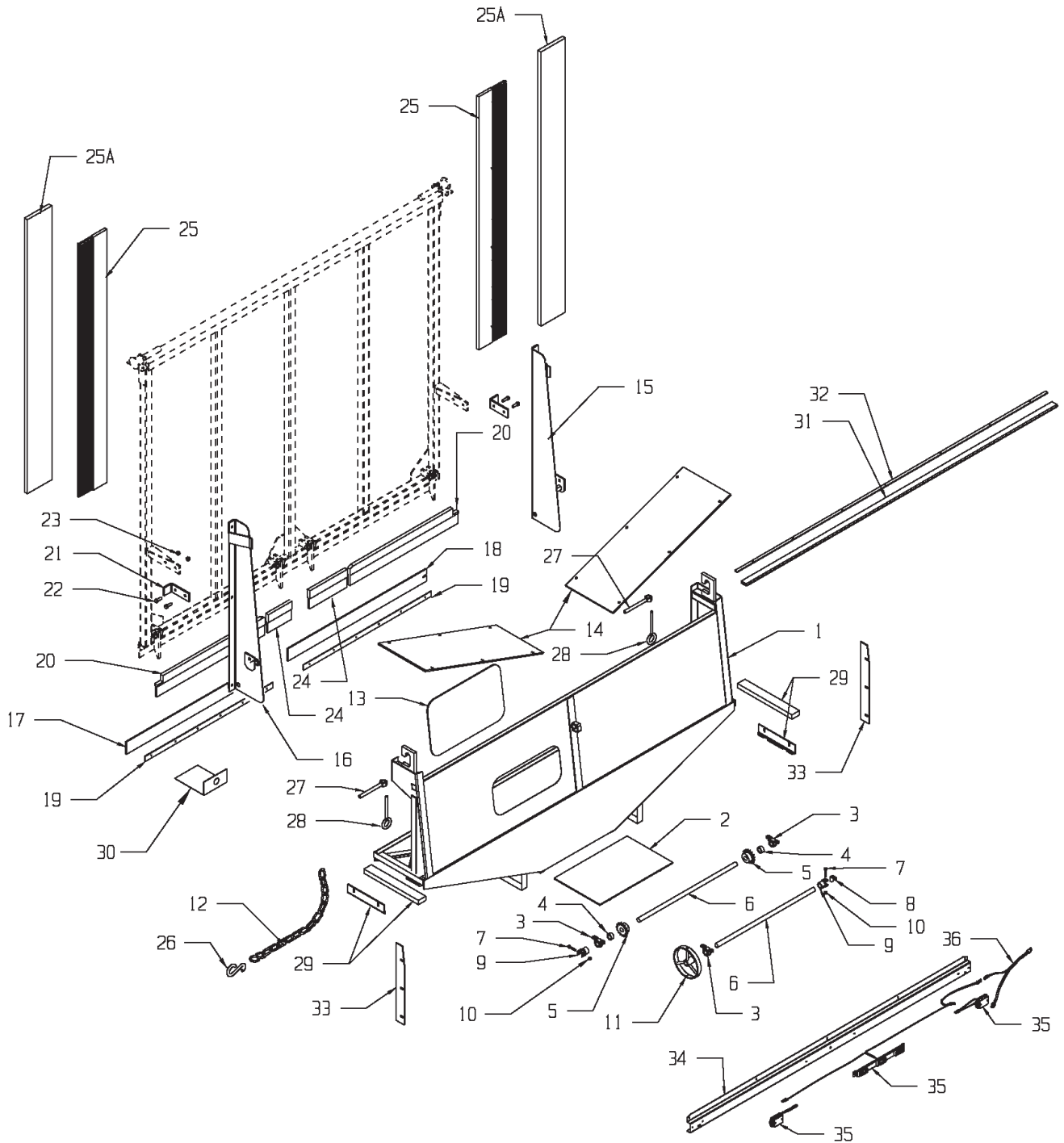
# HIGHWAY TRANSPORT LIGHTS



KEY	PART NO.	DESCRIPTION
1	56-0004	#1232 4-Way Socket (4 Pin)
2	56-0001-3	Bezel Blank, Black
3	32-0026	14" Nylon Tie Strap
4	56-0003	Ag Light Harness w/Tri Plugs (Prior to Serial #06T91201)
	56-0032	Ag Light Harness w/Module (Serial #0691201 & Later) (Truck Mount Only)
	56-0035	Trailer Harness (9100 Trailers Only)
5	56-0022	Truck Mount Dual Light RH w/Tri Plug (Prior to Serial #0691201)
	56-0031-TR	Truck Mount Dual Light RH w/4-Prong (Serial #0691201 & Later)
6	56-0021	Truck Mount Dual Light LH w/Tri Plug (Prior to Serial #0691201)
	56-0030-TR	Truck Mount Dual Light LH w/4-Prong (Serial #0691201 & Later)
7	56-0001-4	#1157 Bulb
8	32-0024	3/8" Plated Loom Clamp
9	46-0001-62	Caution Tail Light Decal
10	56-0001-2	Red Lens
11	56-0001-1	Amber Lens
12	56-0028	Tail Light Converter (Truck Models Only)
13	56-0025-LED	Amber 2-1/2" Round Marker Lamp LED
13A	56-0026	2-1/2" Round Rubber Grommet
13B	56-0027	2-Wire 6" Pigtail Wire Connector
14	56-0023-LED	Amber Marker Lamp LED
15	56-0024-LED	Red Marker Lamp LED



# 9100 OPTIONAL GRAIN KIT



## OPTIONAL GRAIN KIT

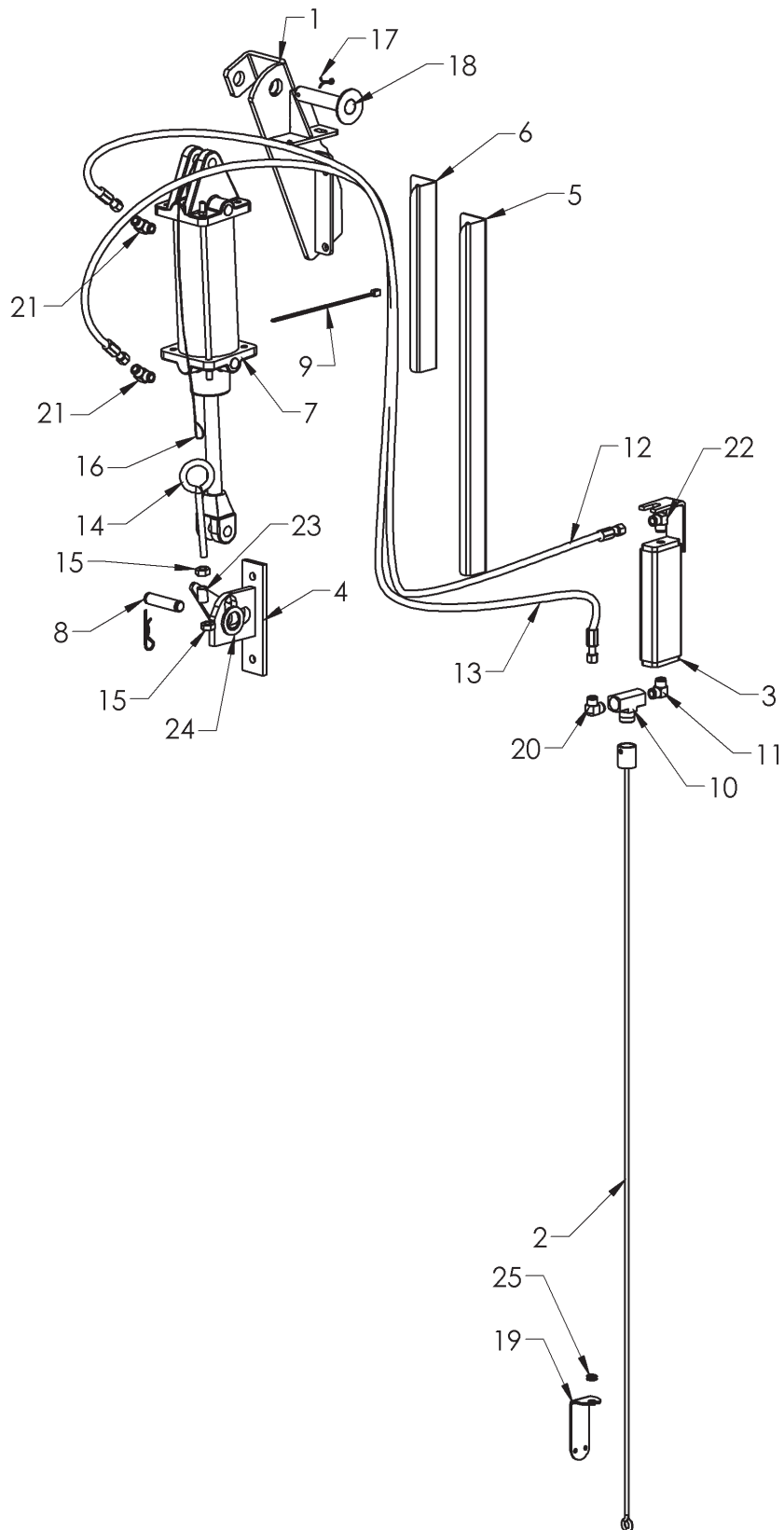
KEY PART NO.	DESCRIPTION			
1	25-8060	Grain Kit Main Body	22	851-5013-1.5Z 1/2-13 x 1-1/2" M.B. Zinc
2	25-8061	Grain Kit Gate Weldment	23	815-5013-Z 1/2-13 Nylon Insert Locknut Zinc
3	124	1" Pillow Block Bearing	24	52-0005-3 18-1/2" Broom (Prior to Serial #0791222)
4	323	1" Lock Collar		52-0005-6-2 7-3/4" Left Inner Broom (Serial #0791222 & Later)
5	10-0001	Sprocket 50B13, 1" Bore, 1/4" Keyway	25	52-0005-5 Gate Seal Brush 64" Brush
6	23-0099	Gate Shaft 1" x 32"	25A	49-0088 Side Gate Belting Seal 66" (Serial #0781239 & Later)
7	851-3816-2Z	3/8-16 x 2" M.B. Zinc	26	57-0009-2 S-Hook
8	15-0006-1	Universal Knuckle	27	33-0028 Handle Nut
9	15-0006-2	Universal Sleeve Assembly	28	811-5013-4Z 1/2 x4" Eyebolt (6" Overall)
	15-0006	Complete Universal Knuckle/Sleeve Assy.	29	25-8065 Seal Gasket (Prior to Serial #0781239)
10	815-3816-Z	3/8-16 Nylon Insert Locknut		25-8060-26 Lower Side Seal Filler Panel (Serial #0781239 & Later)
11	25-8062	Grain Kit Door Handle	30	25-8066 Main Roller Center Mount Cover
12	25-8027	Handle Lock Chain	31	25-8060-21 Rear Belting Seal Metal Strip
13	49-0089	Plexiglas Window 2-1/2" Radius	32	49-0042 Rear Belting Seal
13A	33-0049	Window Weather-strip (By the Foot) (Not Shown)	33	25-8060-27 Side Seal Filler Panel (Serial #0791222 & Later)
14	49-0087	Poly Bottom Panel	34	25-8060-23 Rear Light Mount Bracket
15	25-8078	R.H. Gate Stop Weldment Hi/Lo Gate (Prior to Serial #0791222)	35	56-0050 Light Harness and Lamp Kit
	25-8178	R.H. Gate Stop Hi/Lo Gate (Serial #0791222 & Later)		56-0050-1 Center Lamp Bar Only
16	25-8079	L.H. Gate Stop Weldment Hi/Lo Gate (Prior to Serial #0791222)		56-0050-2 Left Rear Lamp Only
	25-8179	L.H. Gate Stop Hi/Lo Gate (Serial #0791222 & Later)		56-0050-3 Harness Only
				56-0050-4 Right Rear Lamp Only
17	49-0036	L.H. Chain Return Seal	36	56-0051 Light Harness Jumper-Y-Plug Assy.
18	49-0035	R.H. Chain Return Seal		
19	25-8067-1	Chain Return Seal Mount Strap		
20	52-0005-2	24" Broom (Prior to Serial#0791222)		
	52-0005-6-1	35-1/2" Broom Notched (Serial #0791222 & Later)		
21	100-8013-6	Rear Gate Stop		

### THE FOLLOWING ITEMS ARE NOT ILLUSTRATED

25-8211-1	Flow Control Mount Bracket
55-0029	3/4" Hose x 36" Long
55-0047	3/4" Hose x 42" Long
55-0049	3/4" Hose x 65" Long
55-0076	Flow Control
55-0082	3/4 x 90 Degree Street Elbow

# GATE DELAY PACKAGE (#8100 - GATE)

SN #0791233 & LATER

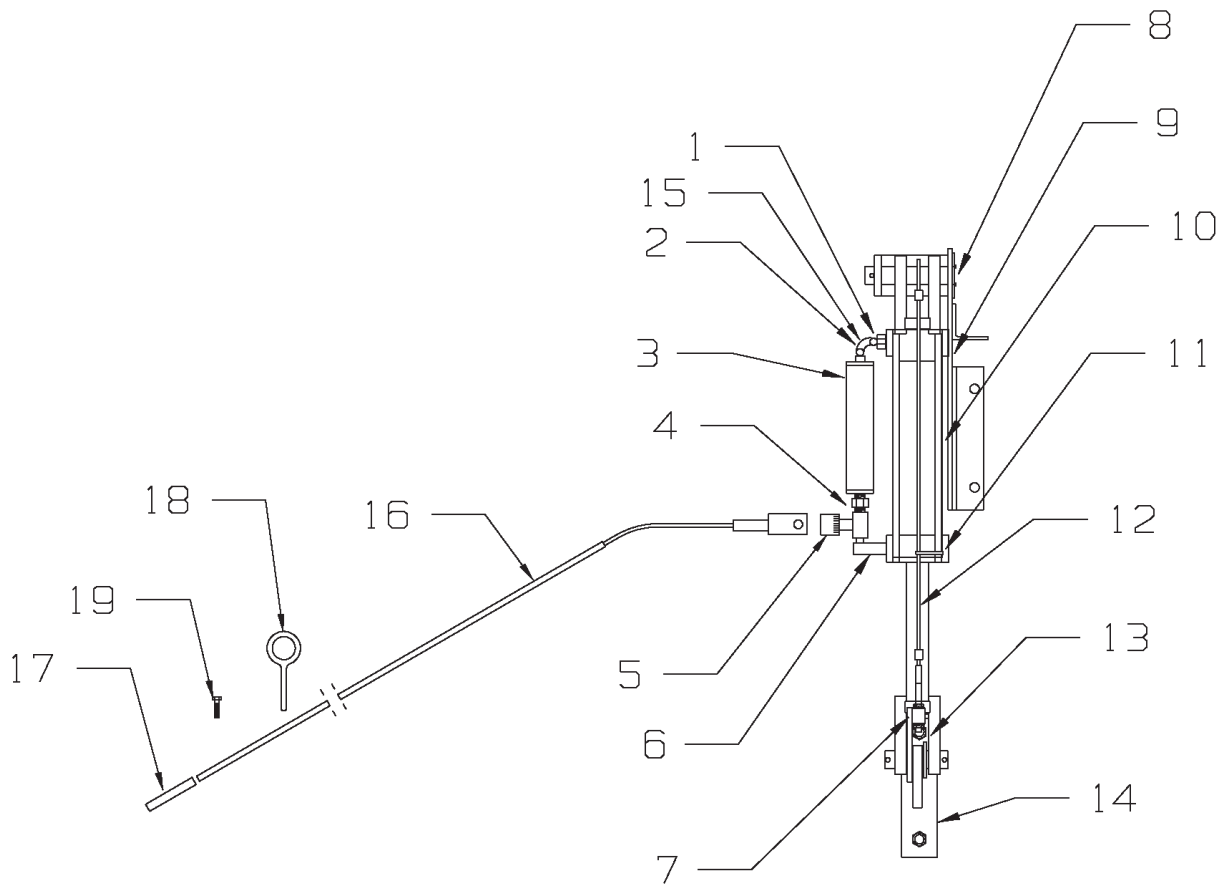


**GATE DELAY PACKAGE (#8100 - GATE)**  
**SN #0791233 & Later**

KEY	PART NO.	DESCRIPTION	QTY.
1	25-8090-1	8100 GATE TOP CYLINDER BRACKET	1
2	25-8105	SIDE MOUNT GRND CONT ROL ROD	1
3	25-8104	SIDE MOUNT OIL RESEVOIR	1
4	25-8093-1	8100 GATE LOWER SHAFT BRACKET	1
5	24-8009	SIDE MT OIL RES 12" HOSE SHIELD 25-1/2"	AR
6	24-8010	SIDE MNT OIL RES HOSE SHIELD 13-1/2"	AR
7	55-0093	HYD CYLINDER 2" BORE 8" STROKE 18-1/4"	1
8	955-3802-10	CYLINDER PIVOT PIN WITH CLIP	1
9	952-0001-7	NYLON TIE STRAPS	1
10	55-0094	FLOW CONTROL	1
11	55-0096	3/8" NPTF 90* MALE PIPE ELBOW	1
12	55-0193	1/4"x 52" LONG HOSE HI GATE W/EXT	AR
	55-0192	1/4"x 40" LONG HOSE REG GATE NO/EXT	AR
13	55-0194	1/4"x 62-1/2"" LONG HOSE HI GATE W/EXT	AR
	55-0193	1/4"x 52" LONG HOSE REG GATE NO/EXT	AR
14	811-3816-3Z	3/8-16x3" EYEBOLT ZINC	1
	25-8098	GATE TRIP CABLE ASSEMBLY W/EYEBOLT	1
15	810-3816-Z	3/8 SPIN LOCK NUT	2
16	36-0009	1/8" STAINLESS AIRCRAFT CABLE (BY THE FT)	2.41
17	823-19-2	3/16X2" COTTER PIN	1
18	25-8092-1	REAR GATE TOP SHAFT ASSY.	1
19	25-8106-1	GROUND CONTROL ROD BRACKET	1
20	55-0196	3/8Mx1/4" SWIVEL FEMALEx90 ELBOW	1
21	55-0195	3/8 MALE-1/4FEMALE STREET ELBOW	2
22	55-0191	1/4" MALE TO 1/4" FEMALE SWIVEL COUPLER	1
23	25-8096	GATE RELEASE TRIP ARM ASSEMBLY	1
24	25-8097-1	GATE LOWER SLEEVE SPACER	1
25	33-1003	RUBBER GROMMET	1

# GATE DELAY PACKAGE

(#8100-Gate)



## GATE DELAY ADJUSTMENTS

When the gate is completely closed (Tight to rear upright) cable and eyebolt assembly should be adjusted so cable has no slack. Cable should be tight but not overtightened. If cable and eyebolt is overtightened lower cylinder will trip out of the L-shaped slot on the lower bracket too soon and the gate will try to close before the cylinder is stroked out. If the cable and eyebolt is too loose the lower cylinder will not trip out of the L-shaped slot and the cylinder will reach its maximum stroke and the gate will still not be in the closed position. The gate will be held open by the top cylinder bracket and the bracket may become damaged over time. Eyebolt and cable will need to be adjusted periodically to maintain proper operation.

KEY	PART NO.	DESCRIPTION	KEY	PART NO.	DESCRIPTION
1	55-0095	1/8" to 3/8" NPT Reducer	11	952-0007-1	7-1/4" Nylon Tie Strap
2	30-0015	1/4x90 Degree Elbow	12	25-8098	Cable/Eyebolt Assy.
3	25-8095	Oil Reservoir Assembly	13	25-8097-1	Lower Sleeve Spacer
4	55-0097	3/8 to 3/8" Hydraulic Nipple	14	25-8093-1	Lower Shaft Plate Assy.
5	55-0094	Flow Control Valve	15	25-8095-6	Top Copper Line Assy.
6	55-0096	3/8 NPT x 90 Degree Male Pipe Elbow	16	25-8101	Ground Control Rod Assy. W/Grip
7	25-8096	Gate Release Trip Arm Assembly	17	51-0007	Handle Grip
8	25-8092-1	Gate Regulator Top Shaft Assy.	18	933-3804	5/16 x 4" Eyebolt
9	25-8090-1	Top Cylinder Bracket Assy.	19	825-25-1Z	1/4x1" Self Tapping Screw
10	55-0093	Hydraulic Cylinder			

# MEYER FORAGE BOX “MAINTENANCE RECORD”

Model No. \_\_\_\_\_ Serial No. \_\_\_\_\_

Delivery Date: \_\_\_\_\_

DATE	SERVICE PERFORMED

DATE	SERVICE PERFORMED

# “SPECIFICATIONS”

	TRUCK MOUNT MODELS					TRAILER MODELS	
	9122	9124	9126	9128	9130	9130T	9136T
<b>DIMENSIONS</b>	22'	24'-8"	26'	28'-8"	30'	30'	36'-8"
Inside Length	98"	98"	98"	98"	98"	98"	98"
Inside Height w/out ext.	72.5"	72.5"	72.5"	72.5"	72.5"	72.5"	72.5"
Inside Height w/ext.	86.5"	86.5"	86.5"	86.5"	86.5"	86.5"	86.5"
Overall Length	22'-9"	25'-5"	26'-9"	29'-5"	30'-9"	30'-9"	37'-5"
Overall Width	102"	102"	102"	102"	102"	102"	102"
Overall Height w/out ext. (Top of Gate)	103"	103"	103"	103"	103"	145.5"	145.5"
Overall Height w/ext. (Top of Gate)	114"	114"	114"	114"	114"	159.5"	159.5"
Overall Side Height-No ext./ext.	90/104"	90/104"	90/104"	90/104"	90/104"	129.5/143.5"	129.5/143.5"
Stringer Width (Truck Mount)	33.5"	33.5"	33.5"	33.5"	33.5"	NA	NA
Capacity (Struck Level) cu. Ft. w/out ext.	1060	1200	1260	1390	1460	1460	1780
Capacity (Struck Level) cu. Ft. w/ext.	1270	1400	1495	1640	1720	1720	2105
<b>SPECIFICATIONS</b>							
Maximum Net Load	25 ton	25 ton	25 ton	25 ton	25 ton	30 ton	30 ton
Roller Chain Drive on Each Side	#120	#120	#120	#120	#120	#120	#120
Apron Chains (Pintle)	667XH	667XH	667XH	667XH	667XH	667XH	667XH
Rear Drive Shaft-Heavy Duty	2-1/2" Hvy	2-1/2" Hvy	2-1/2" Hvy	2-1/2" Hvy	2-1/2" Hvy	2-1/2" Hvy	2-1/2" Hvy
Upright Spacing	16" On Center	16" On Center	16" On Center	16" On Center	16" On Center	16" On Center	16" On Center
Upright Construction	2" x 2" Tubing	2" x 2" Tubing	2" x 2" Tubing	2" x 2" Tubing	2" x 2" Tubing	2" x 2" Tubing	2" x 2" Tubing
Power Source	Hydraulic	Hydraulic	Hydraulic	Hydraulic	Hydraulic	Hydraulic	Hydraulic
Unloading Time (Dependant on Hydraulic System)	40 Sec.	40 Sec.	40 Sec.	60 Sec.	60 Sec.	90 Sec.	90 Sec.
<b>STANDARD FEATURES</b>							
Stainless Steel Sides-Front & Back	STD.	STD.	STD.	STD.	STD.	STD.	STD.
Superslide Solid Poly Floor	STD.	STD.	STD.	STD.	STD.	STD.	STD.
Gate Delay System	STD.	STD.	STD.	STD.	STD.	STD.	STD.
Automatic Roller Chain Tighteners	STD.	STD.	STD.	STD.	STD.	STD.	STD.



## “SPECIFICATIONS”

	TRUCK MOUNT MODELS					TRAILER MODELS	
Automatic Rear Door Latching	STD.	STD.	STD.	STD.	STD.	STD.	STD.
Front Gate Viewing Window	STD.	STD.	STD.	STD.	STD.	STD.	STD.
Semi-Automatic Roller Chain Oiler	STD.	STD.	STD.	STD.	STD.	STD.	STD.
Rear Lights, Marker Lights & D.O.T. Tape	STD.	STD.	STD.	STD.	STD.	STD.	STD.
Personalized Farm Name on Sides	STD.	STD.	STD.	STD.	STD.	STD.	STD.
<b>OPTIONS</b>							
14" Removable Side Extensions	OPT.	OPT.	OPT.	OPT.	OPT.	OPT.	OPT.
Double Center Opening Doors	OPT.	OPT.	OPT.	OPT.	OPT.	OPT.	OPT.
Grain Kit (Top Pivot Door Only)	OPT.	OPT.	OPT.	OPT.	OPT.	OPT.	OPT.
Truck Mount Kit w/steel Fenders	OPT.	OPT.	OPT.	OPT.	OPT.	OPT.	OPT.
Factory Installation of Truck Mount Kit	OPT.	OPT.	OPT.	OPT.	OPT.	OPT.	OPT.
<b>TARP SYSTEMS</b>							
Front to Back Scissors Tarp (Electric)	OPT.	OPT.	OPT.	OPT.	OPT.	OPT.	OPT.
Side to Side Roll Tarp (Electric)	OPT.	OPT.	OPT.	OPT.	OPT.	OPT.	OPT.

MEMBER



**Manufactured by:**  
**Meyer Mfg. Corp.**

County Hwy. A West  
P.O. Box 405  
Dorchester, Wisconsin 54425-0405  
Phone 715-654-5132 • FAX 715-654-5513  
1-800-325-9103



www.meyermfg.com

E-mail: sales @meyermfg.com

**Farm Equipment Buyers Trust the Name Meyer!**

This Page Intentionally Blank

This Page Intentionally Blank

