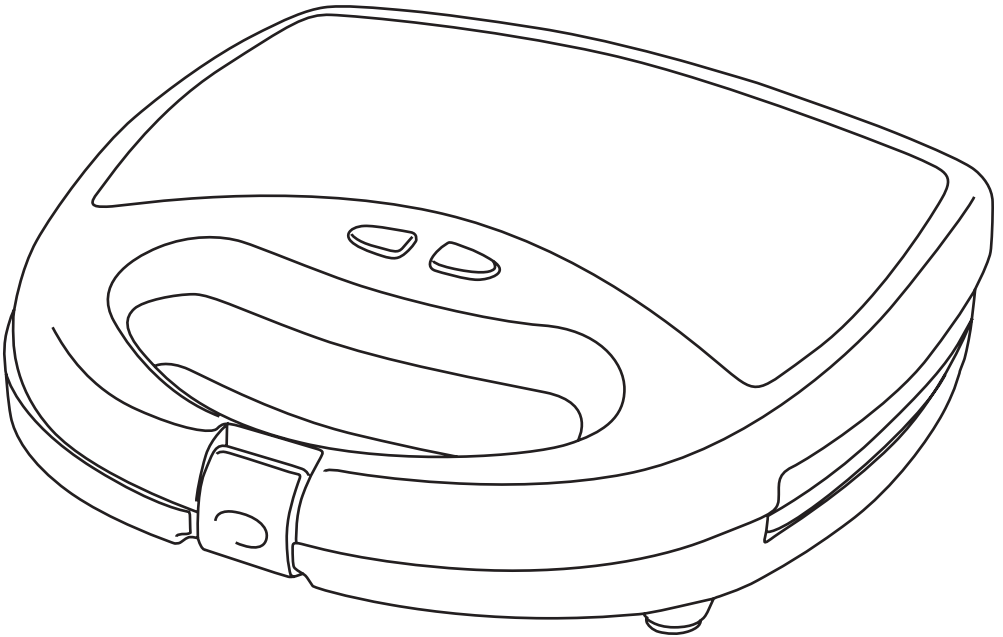


mellerware®

Quatro 4 in 1 Sandwich Maker



complies with
INTERNATIONAL
IEC60355
SAFETY SPECIFICATIONS



Model:
25100

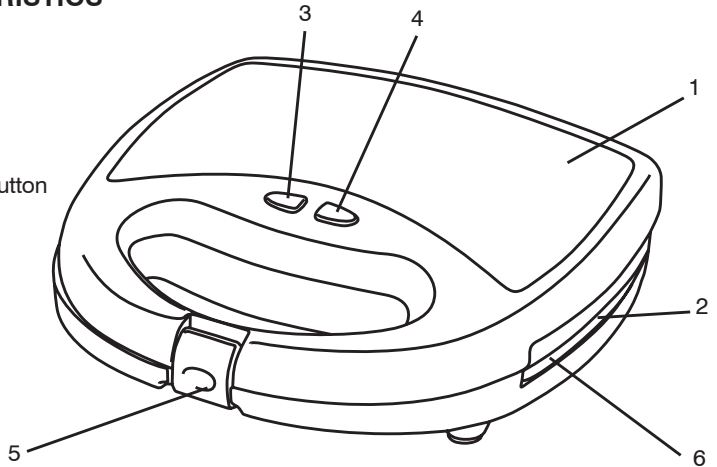
PLEASE READ ALL INSTRUCTIONS BEFORE USE

2 year guarantee

KEY and CHARACTERISTICS

Description

1. Upper housing
2. Cooking plate
3. Red pilot light
4. Green pilot light
5. Safety lock on handle
6. Cooking plate release button



PLEASE READ ALL THE INSTRUCTIONS BEFORE USING THIS PRODUCT

1. IMPORTANT SAFETYGUARDS

Please read all the instructions before use and save them for future use.

- i. To protect against electrical shock, do not immerse the sandwich toaster in water or any other liquid.
- ii. Do not touch hot surfaces. Use the handle.
- iii. Close supervision is required when the sandwich toaster is being handled by, or near children or disabled persons.
- iv. Do not leave the sandwich toaster unattended when not in use.
- v. Always use the sandwich toaster on a dry and stable work surface.
- vi. Do not use this sandwich toaster outdoors.
- vii. Always unplug the sandwich toaster from the power socket when it is not in use, and before cleaning.
- viii. Do not operate the sandwich toaster if it is damaged, or if it malfunctions. If the sandwich toaster is damaged, or malfunctions in any way, return it to an approved service agent for service or repair. Do not attempt to fix this sandwich toaster yourself, or with anyone who is not approved by Mellerware as this will void the guarantee.
- ix. In the interest of safety, regular checks should be carried out on the power supply cord to ensure no damage is evident. Should there be any sign that the cord is

damaged, return the sandwich toaster to an approved service agent for repair.

- x. Do not let the cord hang over the edge of the table or work surface, or touch any hot surfaces.
- xi. Allow the sandwich toaster to cool before cleaning and storing it.
- xii. Care must be taken not to touch any hot surfaces. Do not cover or store the sandwich toaster until it has fully cooled down.
- xiii. Do not place the sandwich toaster on or near a hot gas or electric burner.
- xiv. Do not use harsh and abrasive or oven cleaning material in order to clean this sandwich toaster.
- xv. **CAUTION:** When using this sandwich toaster, allow adequate air space above and on all sides for the air to circulate. Keep the appliance away from curtains, dishtowels, wall coverings, or any other flammable materials during its use. Caution is required on surfaces where heat may cause a problem.
- xvi. **IMPORTANT:** THIS SANDWICH TOASTER IS FOR HOUSEHOLD USE ONLY. DO NOT USE THIS SANDWICH TOASTER FOR ANYTHING OTHER THAN ITS INTENDED USE.

2. USING YOUR SANDWICH

TOASTER

- i. Before using the sandwich toaster for the first time clean the surface of the cooking plate using a damp cloth, and then wipe it dry with a clean dry cloth. Oil the cooking plate with cooking oil, butter, or any other cooking fat.
- ii. Check that the plug supplied on the sandwich toaster corresponds to the mains power supply socket. If it corresponds, insert the plug into the wall socket.
- iii. Ensure the sandwich toaster is placed on a horizontal on the counter, and keep the sandwich toaster closed.
- iv. Turn the power on, so that both indicator lights are on.
- v. Pre-prepare the sandwich while the cooking plates are warming up.
- vi. Once the green light (4) has turned off, then the sandwich toaster has reached the optimal temperature to toast. This usually takes around 2-3 minutes to warm up.
- vii. Open the sandwich toaster, and place the sandwich onto the cooking plates. Be careful not to touch the cooking plates with your body, as they are extremely hot and will burn you.
- viii. If you want golden brown sandwiches, butter the outside of the sandwich, and place the buttered sides against the cooking plate.
- ix. Close both halves of the sandwich toaster without placing too much force on the sandwich. If too much force is required, the sandwich is too big; the clip may come loose or break during toasting.
- x. Keep the sandwich toaster closed during toasting.
- xi. The toasting time will depend on the type of bread used, and personal preference.
- xii. After toasting, remove the sandwich using

- a wooden or plastic utensil. Never use a metal or sharp object to remove the sandwich, as this will damage the non-stick coating on the cooking plates.
- xiii. If you intend to toast more sandwiches, then close the sandwich toaster to retain the heat.
- xiv. After use, unplug the sandwich toaster from the power socket.

WARNING: Do not use this sandwich toaster in an upright position. This position is for storage only.

HELPFUL HINTS

1. Pre-heat the cooking plates before use.
2. Smaller or drier fillings may require you to pre-toast the bread to reduce the toasting time in the sandwich toaster.
3. You can use the butter with herbs for extra flavour.

3. CARE AND CLEANING

- i. Always unplug the sandwich toaster to make sure the power is off and allow the sandwich toaster to cool before cleaning it.
- ii. Wipe the interior as well as the side of the cooking plates with an absorbent tissue, paper towel, or soft cloth. Never use an abrasive material to clean the sandwich toaster. Clean after use to avoid any caking of fillings. If caking occurs, it becomes more difficult to clean.
- iii. Re-oil the cooking plates taking care to wipe up any excess oil as this can become hard and sticky during storage.
- iv. Wipe the outside of the toaster with a damp cloth and polish with a soft dry cloth. **DO NOT IMMERSER THE SANDWICH TOASTER OR THE CORD IN WATER OR ANY OTHER LIQUID.**

creative housewares

27 Nourse Avenue Epping 2 Cape Town
P.O. Box 975 Eppindust 7475 South Africa
Tel: +27 21 534 8114 Fax: +27 21 534 8086
Service Centre Share Call: 086 111 5006
web: www.creativehousewares.co.za