



mellerware®

TRENDS FOR LIFE

# Marco Aldany

Sofisticatto & Go Travel Hairstraightener



complies with  
INTERNATIONAL  
IEC60335  
SAFETY SPECIFICATIONS

**m**  
20W

**CE**  
2 YEAR  
GUARANTEE

Model:  
MA20315

**PLEASE READ ALL INSTRUCTIONS BEFORE USE**





Dear customer,

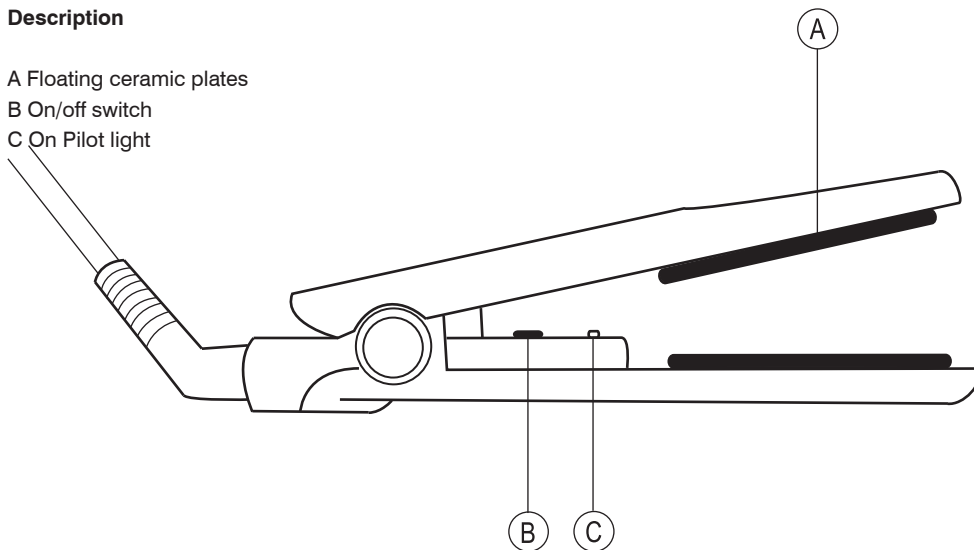
Many thanks for purchasing a MELLERWARE product. Thanks to its technology, design and operation and the fact that it goes through strict quality controls - we feel sure you will be entirely satisfied.

### Description

A Floating ceramic plates

B On/off switch

C On Pilot light



### Safety advice and warnings

- Read these instructions carefully before switching on the appliance and keep them for future reference. Failure to follow and observe these instructions may result in an accident. Failure to follow and observe these instructions may result in an accident.

#### Electric safety:

- Do not use the appliance if the cable or plug is damaged.
- Ensure that the voltage indicated on the nameplate matches the mains voltage before plugging in the appliance.
- The appliance's plug must fit into the mains socket properly. Do not alter the plug. Do not use plug adaptors.
- If any of the appliance casings breaks, immediately disconnect the appliance from the mains to prevent the possibility of an electric shock.
- Do not use the appliance if it has fallen on the floor, if there are visible signs of damage or if it has a leak.
- **CAUTION:** Do not use the appliance near water.
- Do not use the appliance near bathtubs, showers or swimming pools.
- Do not use the appliance with damp hands or feet,

or when barefooted.

- Do not force the electrical wire. Never use the electric wire to lift up, carry or unplug the appliance.
- Do not wrap the cable around the appliance.
- Ensure that the electric cable does not get trapped or tangled.
- Do not allow the connection cable to come into contact with the appliance's hot surfaces.
- Check the state of the power cord. Damaged or tangled cables increase the risk of electric shock.
- As an additional protection to the electrical supply for the appliance, it is advisable to have a differential current device with a maximum sensitivity of 30mA. Ask for advice from a competent installer.
- Do not touch the plug with wet hands.

#### Personal safety:

- Do not use the appliance, in the case persons insensitive to heat (the appliance has heated surfaces)
- The temperature of the accessible surfaces may be high when the appliance is in use.

#### Use and care:

- Fully unroll the appliance's power cable before each use.





- Do not use the appliance on wet hair.
- Do not use the appliance if the on/off switch does not work.
- If you use the appliance in a bathroom or similar place, unplug the appliance from the mains when it is not in use, even if it is only for a short while, as proximity to water involves a risk, even if the appliance is disconnected.
- Disconnect the appliance from the mains when not in use and before undertaking any cleaning task.
- This appliance is for household use only, not professional or industrial use.
- This appliance is not a toy. Children should be supervised to ensure that they do not play with the appliance.
- This appliance is intended for adult use. Ensure that this product is not used by the disabled, children or people unused to its handling.
- This appliance should be stored out of reach of children and/or the disabled.
- Do not put the appliance away if it is still hot.
- Do not use the appliance with pets or animals.
- Any misuse or failure to follow the instructions for use renders the guarantee and the manufacturer's liability null and void.

#### **Instructions for use**

##### **Use:**

- Unroll the cable completely before plugging it in.
- Connect the appliance to the mains.
- Turn the appliance on using the on/off switch.
- The on pilot light (C) comes on in red.
- For perfect straightening separate a small section of hair of between 4 and 5cm in length.
- This product is recommended for bangs, hairstyle tips and finishes.
- Open the straighteners and place the hair between the plaits perpendicularly. Close the plaits pressing firmly on the handle maintain the pressure and pull smoothly from the root to the tips. Pass the iron over the hair, slowly.
- If necessary repeat this process until the desired result is achieved.
- Proceed gradually with the rest of the hair.

##### **Once you have finished using the appliance:**

- Turn the appliance off, using the on/off switch.
- Unplug the appliance to the mains.

##### **Cleaning**

- Disconnect the appliance from the mains and let it cool before undertaking any cleaning task.
- Clean the equipment with a damp cloth with a few drops of washing-up liquid and then dry.
- Do not use solvents, or products with an acid or base pH such as bleach, or abrasive products, for

cleaning the appliance.

- Do not submerge the appliance in water or any other liquid, or place it under a running tap.

##### **Anomalies and repair**

- Take the appliance to an authorised technical support service if problems arise. Do not try to dismantle or repair without assistance, as this may be dangerous.
- If the connection to the mains has been damaged, it must be replaced and you should proceed as you would in the case of damage.

##### **Ecology and recyclability of the product**

- The materials of which the packaging of this appliance consists are included in a collection, classification and recycling system. Should you wish to dispose of them, use the appropriate public containers for each type of material.
  - The product does not contain concentrations of substances that could be considered harmful to the environment.
  - This symbol means that in case you wish to dispose of the product once its working life has ended, take it to an authorised waste agent for the selective collection of waste electrical and electronic equipment (WEEE).
- This appliance complies with Directive 2006/95/EC on Low Voltage and Directive 2004/108/EC on Electromagnetic Compatibility.





**creative housewares**

27 Nourse Avenue Epping 2 Cape Town  
P.O. Box 975 Eppindust 7475 South Africa  
Tel: +27 21 534 8114 Fax: +27 21 534 8086  
Service Centre Share Call: 086 111 5006  
web: [www.creativehousewares.co.za](http://www.creativehousewares.co.za)

