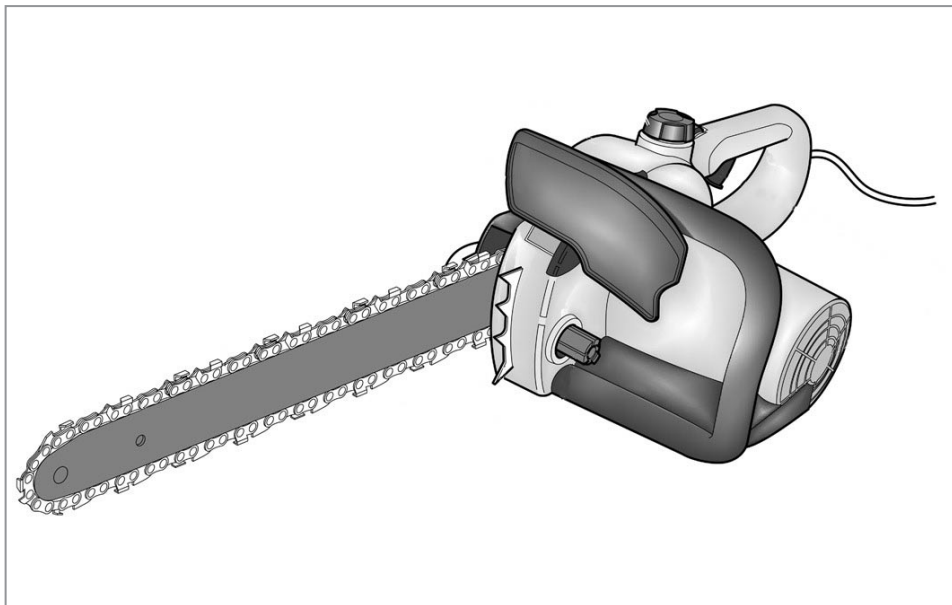


McCULLOCH

 Electrolux

ELECTRAMAC 414 ELECTRAMAC 416



GB

INSTRUCTION MANUAL

IMPORTANT INFORMATION: Please read these instructions carefully and make sure you understand them before using this unit. Retain these instructions for future reference.

DE

BETRIEBSANWEISUNG

WICHTIGE INFORMATION: Lesen Sie diese Hinweise zur Handhabung des Geräts aufmerksam durch. Verwenden Sie es erst, wenn Sie sicher sind, daß Sie alle Anweisungen verstanden haben und gut aufbewahren.

FR

MANUEL D'INSTRUCTIONS

RENSEIGNEMENTS IMPORTANTS: Avant d'utiliser cet appareil, veuillez lire attentivement les instructions et assurez-vous de les avoir comprises. Conservez les instructions pour référence ultérieure.

NL

HANDLEIDING

BELANGRIJKE IMPORTANTS: Lees deze handleiding aandachtig en zorg dat u alles begrijpt alvorens de kettingzaag te gebruiken en bewaar ze voor toekomstige raadpleging.

NO

BRUKERHÅNDBOK

VIKTIG INFORMASJON: Les disse anvisningene nøye og forsikre deg om at du forstår dem før du bruker enheten og oppbevar dem for senere bruk.

FI

OHJEKIRJA

TÄRKEÄÄ TIETOA: Lue nämä ohjeet huolellisesti ja varmista, että olet ymmärtänyt ne, ennen kuin alat käyttää tätä laitetta ja säilytä myöhempää tarvetta varten.

SE

BRUKSANVISNING

VIKTIG INFORMATION: Läs instruktionerna noggrant och försäkra dig om att du förstår dem innan du använder utrustningen och spara dem för framtida behov.

DK

BRUGERHÅNDBOG

VIGTIGE OPLYSNINGER: Læs instruktionerne omhyggeligt, før du bruger enheden og gemme til senere henvisning.

ES

MANUAL DE INSTRUCCIONES

INFORMACIÓN IMPORTANTE: Lea atentamente las instrucciones y asegúrese de entenderlas antes de utilizar esta aparato. Conserve las instrucciones para la referencia en el futuro.

PT

MANUAL DO OPERADOR

INFORMAÇÕES IMPORTANTES: Queira ler cuidadosamente estas instruções e tenha certeza de entendê-las antes de usar a serra e guardê para consulta futura.

IT

LIBRETTO D'ISTRUZIONI

INFORMAZIONI IMPORTANTI: Leggere le istruzioni attentamente e capirle bene prima di usare la motosega. Conservare per ulteriore consultazione.

GR

ΕΓΧΕΙΡΙΔΙΟ ΧΡΕΙΣΜΟΕ

ΣΗΜΑΝΤΙΚΕΣ ΠΛΗΡΟΦΟΡΙΕΣ: Διαβάστε προσεκτικά αυτές τις οδηγίες και φροντίστε να τις κατανοήσετε πριν χρησιμοποιήσετε αυτό το μηχάνημα και φυλάξτε το για να το συμβουλευέστε στο μέλλον.

HU

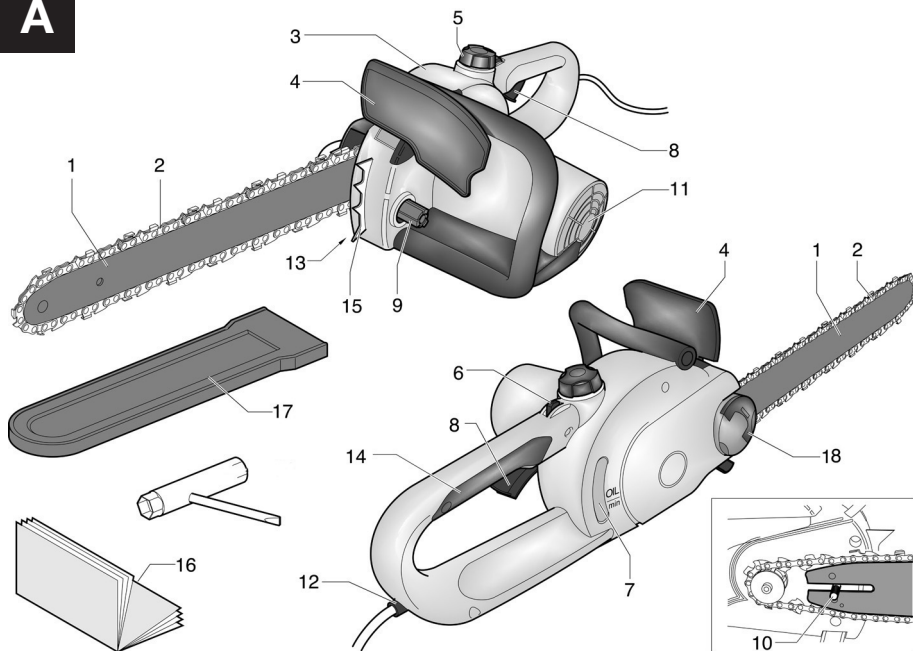
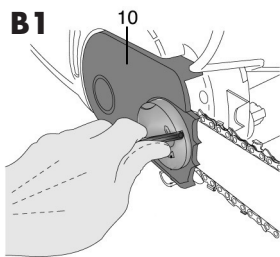
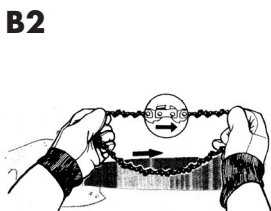
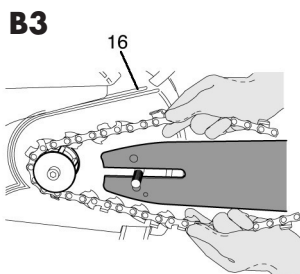
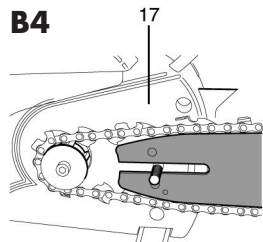
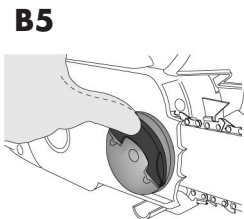
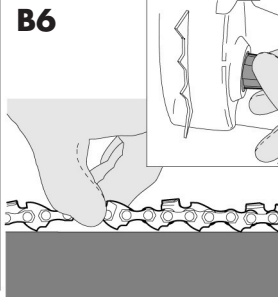
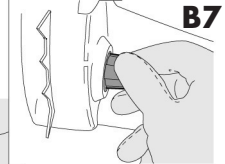
HASZNÁLATI ÚTMUTATÓ

Jóátállást vállalni csak rendeltetésszerűen használatba vett gépekre tudunk. Kérjük, hogy a gép használatba vétele előtt gondosan olvassa el a kezelési utasításokat.

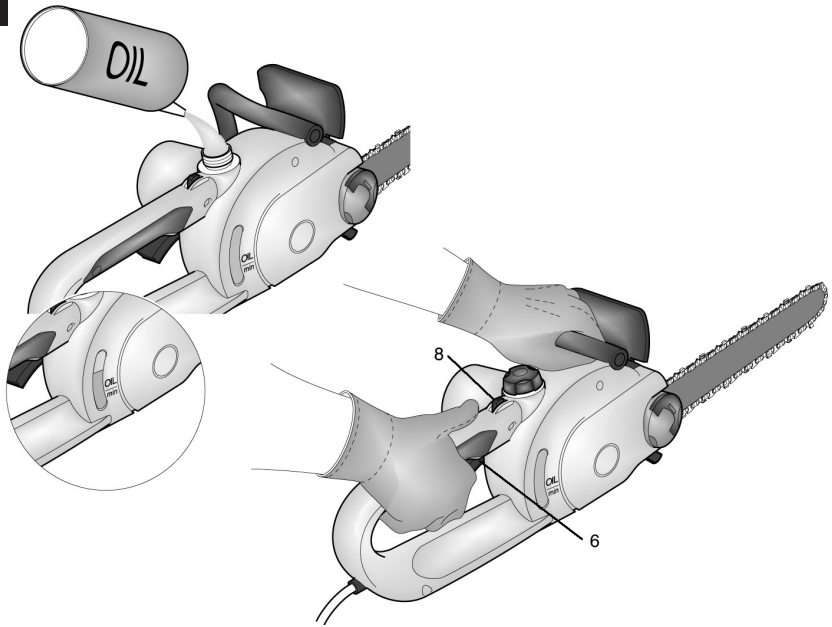
PL

INSTRUKCJA OBSŁUGI

Gwarancja traci ważność w przypadku używania urządzenia do celów innych niż wymienione w instrukcji obsługi. Prosimy o uważne przeczytanie instrukcji oraz o stosowanie się do zaleceń i wskazówek w niej zawartych

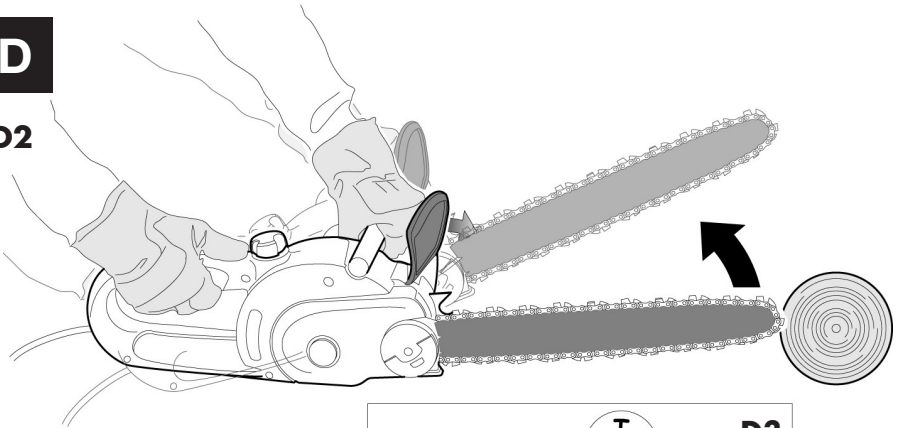
A**B****B1****B2****B3****B4****B5****B6****B7**

C

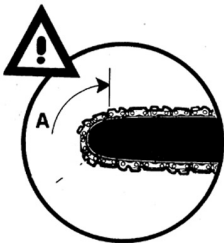


D

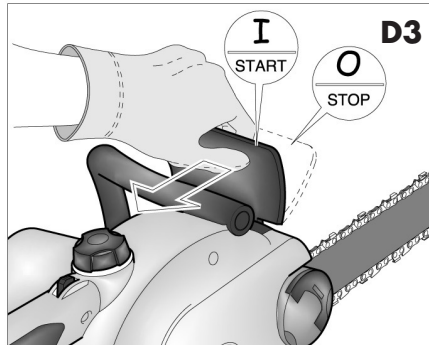
D2

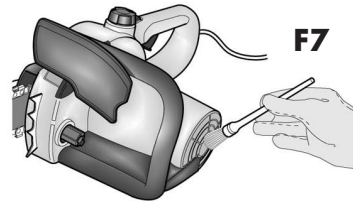
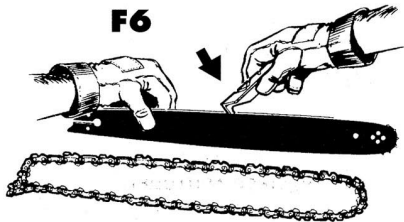
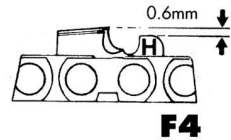
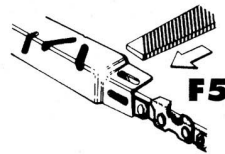
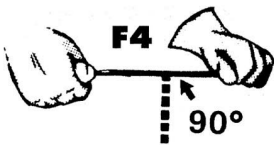
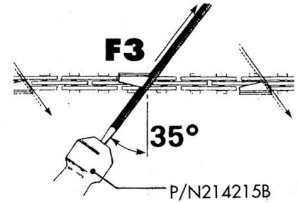
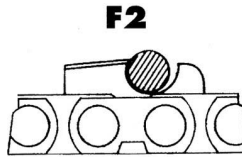
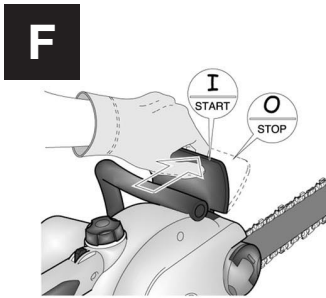
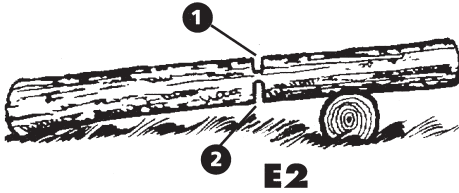


D1



D3





	14" / 35 cm	16" / 40 cm
	50T	55T
	214235B	214236B
	202631B	202729B
	214215B	214215B
	3/8"	3/8"

- GB** SUMMARY CHART TO IDENTIFY THE CORRECT COMBINATION OF BAR/CHAIN - FILE/FILE HOLDER.
- DE** TABELLE FÜR DIE KORREKTE KOMBINATION VON SCHIENE/KETTE - FEILE/FEILENFÜHRUNG.
- FR** TABLEAU RECAPITULATIF POUR LE CORRECT ACCOUPLEMENT CHAÎNE/GUIDE - CHAINELIME/PORTE LIME.
- NL** OVERZICHTSTABEL VOOR EEN CORRECTE STANG/KETTING - VIJL/VIJLLEIDER VERBINDING.
- NO** SAMMENFATTENDE TABELL FOR KORREKT SAMMENKOBING AV STANG/KJETTING - FIL/FILSKINNE.
- FI** OIKEAN YHDISTELMÄN TAULIKKO PUTKI/KETJU - HÖYLÄ/HÖYLÄTÄSO.
- SE** SAMMANFATTANDE TABELL FÖR RÄTT KOMBINATION STÅNGE/KEDJA FIL/FILFÖRARE.
- DK** GENOPTAGENTE LISTE TIL KORREKT SAMMENFØJNING/KÆDE - FIL/FØLGERFIL.
- ES** TABLA PARA EL CORRECTO ACOPLAMIENTO DE LA CADENA/BARRA DE GUÍA - LIMA/GUÍA DE AFILADO.
- PT** TABELA RESUMIDA PARA O CORRETO EMPARELHAMENTO BARRA/CORRENTE - LIMA/GUIA-LIMA.
- IT** TABELLA RIASSUNTIVA PER IL CORRETTO ABBINAMENTO BARRA/CATENA - LIMA/GUIDALIMA.
- HU** TÁBLÁZAT A VÁZ/LÁNCÉS RESZELŐ/RESZELŐVEZETŐ KORREKT KOMBINÁCIÓHOZ.
- GR** ΠΙΝΑΚΑΣ ΠΕΡΙΕΧΟΜΕΝΩΝ ΠΑ ΤΟ ΣΩΣΤΟ ΣΥΝΑΙΑΣΜΟ ΜΕΤΑΞΥ ΡΑΒΔΟΥ/ΑΛΥΣΙΔΑΣ - ΛΙΜΑΣ/ΟΔΗΓΟΥ ΛΙΜΑΣ.
- PL** ZBIORCZA KARTA DLA IDENTYFIKACJI PRAWIDŁOWEJ KOMBINACJI PROWADNICY/ŁAŃCUCHA - PILNIKA/UCHWYTU PILNIKA.

- GB** Due to a constant product improvement programme, the factory reserves the right to modify technical details mentioned in this manual without prior notice.
- DE** Im Sinne des Fortschritts behält sich der Hersteller das Recht vor, technische Änderungen ohne vorherigen Hinweis durchzuführen.
- FR** La Maison se réserve la possibilité de changer des caractéristiques et des données de ce manuel à n'importe quel moment et sans préavis.
- NL** Door konstante produkt ontwikkeling behoudt de fabrikant zich het recht voor om technische specificaties zoals vermeld in deze handleiding te veranderen zonder hiervan vooraf bericht te geven.
- NO** Produsenten forbeholder seg all rett og mulighet til å forandre tekniske detaljer i denne manualen uten forhåndsvarsel.
- FI** Jatkuvan tuotteen parannusohjelman tähden valmistaja pidättää oikeuden vaihtaa ilman ennako-varoitusta tässä ohjekirjasessa mainittuja teknisiä yksityiskohtia.
- SE** Tilverkaren reserverar sig rätten att ändra fakta och uppgifter ur handboken utan förvarning.
- DK** Producenten forbeholder sig ret til ændringer, hvad angår karakteristika og data i nærværende instruktion, når som helst og uden varsel.
- ES** La firma productora se reserva la posibilidad de cambiar las características y datos del presente manual en cualquier momento y sin previo aviso.
- PT** A casa productora se reserva a possibilidade de variar características e dados do presente manual em qualquer momento e sem aviso prévio.
- IT** La casa produttrice si riserva la possibilità di variare caratteristiche e dati del presente manuale in qualunque momento e senza preavviso.
- HU** Folyamatos gyártmány felújítási műsorunk következtében, a gyártó cég fenntartja a jogát ebben a Használati leírt műszaki adatok előzetes értesítés nélküli változtatására.
- GR** Λόγω προγράμματος συνεχούς βελτίωσης προϊόντων, το εργοστάσιο επιφυλάσσει το δικαίωμα να τροποποιεί τις τεχνικές λεπτομέρειες που αναφέρονται στο εγχειρίδιο αυτό χωρίς προηγούμενη ειδοποίηση.
- PL** W związku z programem ulepszenia swoich wyrobów producent zastrzega sobie prawo zmian technicznych bez uprzedniego zawiadomienia.

GB SPECIFICATIONS	
1850W, 230-240V ~ CA, 50Hz, class II, double insulation <input type="checkbox"/>	
Dry weight (no bar and chain)	3.5 Kg
Oil tank capacity	150 cm ³
Bar lengths	35/40 cm
The vibration levels recorder att the operators hand position was:	
No load	Front handle 2.28 m/s ² Rear handle 4.22 m/s ²
Rated input	Front handle 1.96 m/s ² Rear handle 7.30 m/s ²
Measured sound power level	103 (dBA)
Guaranteed sound power level	104 (dBA)
Sound pressure level (at the operator's ear)	94 (dBA)

DE TECHNISCHE DATEN	
1850W, 230-240V ~ CA, 50Hz, Klasse II, zweifache Isolierung <input type="checkbox"/>	
Gewicht motor (ohne Schwert und Kette)	3.5 Kg
Öltank-Inhalt	150 cm ³
Schwertlänge	35/40 cm
Die gemessenen Vibrationswerte an der Hand des Bedienenden betragen bei:	
Leerlauf	Vorderer Griff 2.28 m/s ² Hinterer Griff 4.22 m/s ²
Nennlast	Vorderer Griff 1.96 m/s ² Hinterer Griff 7.30 m/s ²
Schalleistungsstufe Gemessen	103 (dBA)
Schalleistungsstufe Gewährleistet	104 (dBA)
Dauerschallpegel	94 (dBA)

FR CARACTERISTIQUES TECHNIQUES	
1850W, 230-240V ~ CA, 50Hz, classe II, double isolation <input type="checkbox"/>	
Poids à vide (sans barre ni chaîne)	3.5 Kg
Capacité du réservoir huile	150 cm ³
Longueur de guide	35/40 cm
Niveau de vibrations enregistré à la main de l'opérateur à:	
Vide	Poignée avant 2.28 m/s ² Poignée arrière 4.22 m/s ²
Puissance maximum	Poignée avant 1.96 m/s ² Poignée arrière 7.30 m/s ²
Niveau de puissance sonore mesuré	103 (dBA)
Niveau de puissance sonore garanti	104 (dBA)
Pression sonore à l'oreille de l'opérateur	94 (dBA)

NL TECHNISCHE GEGEVENS	
1850W, 230-240V ~ wisselstroom, 50Hz, klasse II, dubbel geïsoleerd <input type="checkbox"/>	
Ledig gewicht (zonder zwaard en ketting)	3.5 Kg
Inhoud olietank	150 cm ³
Zwaardlengtes	35/40 cm
Het trillingsniveau geregistreerd op de bedieningshandel is:	
In rust	Voorste handgreep 2.28 m/s ² Achterste handgreep 4.22 m/s ²
Belast	Voorste handgreep 1.96 m/s ² Achterste handgreep 7.30 m/s ²
Gemeten geluidsvermogensniveau	103 (dBA)
Gewaarborgd geluidsvermogensniveau	104 (dBA)
Geluidsdruk aan het oor van de gebruiker	94 (dBA)

NO SPESIFIKASJONER	
1850W, 230-240V ~ vekselstrøm, 50 Hz, klasse II, dobbel isolasjon <input type="checkbox"/>	
Netto vekt (uten sverd og kjede)	3.5 Kg
Oljetankkapasitet	150 cm ³
Sverdlengde	35/40 cm
Vibrasjoner registrert ved hånden til brukeren:	
Ingen last	Forreste håndtak 2.28 m/s ² Bakre håndtak 4.22 m/s ²
Strømforbruk som angitt på typeskilt	Forreste håndtak 1.96 m/s ² Bakre håndtak 7.30 m/s ²
Målt lydstyrkenivå	103 (dBA)
Garantert lydstyrkenivå	104 (dBA)
Hørselsrykk på grunn av lyden	94 (dBA)

FI TEKNISET TIEDOT	
1850W, 230-240V, vaihtovirta, 50Hz, luokka II, kaksoisieristys <input type="checkbox"/>	
Moottorin paino (ilman terälevyä ja ketjua)	3.5 Kg
Öljysäiliön tilavuus	150 cm ³
Terälevyn pituus	35/40 cm
Värinäsuot käyttöajan käden asennolla olivat:	
Kun Käyttäjä	Etukädensijä 2.28 m/s ² Takakädensijä 4.22 m/s ²
Kun Koneen	Etukädensijä 1.96 m/s ² Takakädensijä 7.30 m/s ²
Äänenvoimakkuustaso mitattu	103 (dBA)
Äänenvoimakkuustaso taattu	104 (dBA)
Käyttäjän korvalle tuleva äänenpaine	94 (dBA)

SE SPECIFIKATIONER	
1850W, 230-240V-vekselstrøm, 50 Hz, klasse II, dubbel isolering <input type="checkbox"/>	
Torrvekt (excl kedja och svärd)	3.5 Kg
Oljebehållarens kapacitet	150 cm ³
Svärdlängd	35/40 cm
Vibrationsnivåer registrerte ved användarens handposition var vid:	
Tomgång	Framhåndtag 2.28 m/s ² Bakhåndtag 4.22 m/s ²
Märkeffekt	Framhåndtag 1.96 m/s ² Bakhåndtag 7.30 m/s ²
Uppmått ljudeffektnivå	103 (dBA)
Garanterad ljudeffektnivå	104 (dBA)
Ljudnivå (vid örat)	94 (dBA)

DK SPECIFIKATIONER	
1850W, 230-240V vekselstrøm, 50 Hz, klasse II, dobbelt isolering <input type="checkbox"/>	
Netto vægt (uden sværd og kæde)	3.5 Kg
Olietankens kapacitet	150 cm ³
Sværdlængde	35/40 cm
Vibrationsniveauet målt ved brugerens hånd var:	
Nubelastning	Forhåndtag 2.28 m/s ² Baghåndtag 4.22 m/s ²
Mærkeeffekt	Forhåndtag 1.96 m/s ² Baghåndtag 7.30 m/s ²
Målt lydteffektniveau	103 (dBA)
Konstateret lydteffektniveau	104 (dBA)
Lydstyrke niveau (vedd brugerens øre)	94 (dBA)

ES DATOS TÉCNICOS		
1850W, 230-240V CA, 50 Hz, clase II, doble aislamiento <input type="checkbox"/>		
Peso en vacío (sin barra ni cadena)		3,5 Kg
Capacidad del depósito de aceite		150 cm ³
Medida de la barra		35/40 cm
Los niveles de vibración registrados (ISO 7505) en la posición manual de operario fueron:		
Sin carga	Mango delantero	2.28 m/s ²
	Mango trasero	4.22 m/s ²
Entrada nominal	Mango delantero	1.96 m/s ²
	Mango trasero	7.30 m/s ²
Nivel de potencia sonora medida		103 (dBA)
Nivel de potencia sonora garantizada		104 (dBA)
Presión sonora al oído del usuario		94 (dBA)

HU MŰSZAKI ADATOK	
1850W, 230-240 V, 50 Hz váltó, II. osztály, kettős szigetelés <input type="checkbox"/>	
Motor súlya (lánc és vezetőlapp nélkül)	3,5 Kg
Olajtankúrtartalom	150 cm ³
Vezetőlapp méret	35/40 cm
Vibrációk előlő fogantyú	2.28 m/s ²
	4.22 m/s ²
Hátő fogantyú	1.96 m/s ²
	7.30 m/s ²
Mért hangteljesítményszint	103 (dBA)
Garantált hangteljesítményszint	104 (dBA)
Állandó hangszint lpaav	94 (dBA)

PT ESPECIFICAÇÕES		
1850W, 230-240V AC, 50Hz, categoria II, isolamento duplo <input type="checkbox"/>		
Peso em seco (sin barra e corrente)		3,5 Kg
Capacidade depósito óleo		150 cm ³
Comprimento barra		35/40 cm
Os níveis de vibração registrados na posição de colocação de mão do operador foram os seguintes:		
Sem carga	Pega dianteira	2.28 m/s ²
	Pega traseira	4.22 m/s ²
Entrada nominal	Pega dianteira	1.96 m/s ²
	Pega traseira	7.30 m/s ²
Nível potência sonora medida		103 (dBA)
Nível potência sonora garantida		104 (dBA)
Pressão sonora ao ouvido do operador		94 (dBA)

GR ΤΕΧΝΙΚΕΣ ΠΡΟΔΙΑΓΡΑΦΕΣ	
1850W, 230-240 V AC, 50Hz, κατηγορία II, διπλή μόνωση <input type="checkbox"/>	
ΚΑΘΑΡΟ ΒΑΡΟΣ (ΧΩΡΙΣ ΛΑΜ-ΑΛΥΣ)	3,5 Kg
ΧΩΡΗΤΙΚΟΤΗΣ ΡΕΖΕΡΒ.ΛΑΔΙΟΥ	150 cm ³
ΜΗΚΟΣ ΛΑΜΑΣ	35/40 cm
Τα επίπεδα δόνησης που καταγράφτηκαν στη θέση της λαβής του χειριστή ήταν:	
Χωρίς Φορτίο	2.28 m/s ²
	4.22 m/s ²
Διαβαθμισμένη Είσοδος	1.96 m/s ²
	7.30 m/s ²
Μετρηθείσα στάθμη ακουστικής ισχύος	103 (dBA)
Εγγυημένη στάθμη ακουστικής ισχύος	104 (dBA)
ΣΤΑΘΜΗ ΘΟΡΥΒΟΥ ΣΤΟ ΑΥΤΙ ΧΕΙΡ	94 (dBA)

IT DATI TECNICI		
1850W, 230-240V c.a., 50Hz, II classe, doppio isolamento <input type="checkbox"/>		
Peso a secco (senza barra e catena)		3,5 Kg
Capacità serbatoio olio		150 cm ³
Lunghezza barra		35/40 cm
Livello di vibrazioni rilevate alle posizioni delle mani dell'operatore a:		
Vuoto	Impugnatura anteriore	2.28 m/s ²
	Impugnatura posteriore	4.22 m/s ²
Potenza nominale	Impugnatura anteriore	1.96 m/s ²
	Impugnatura posteriore	7.30 m/s ²
Livello potenza sonora misurata		103 (dBA)
Livello potenza sonora garantita		104 (dBA)
Pressione sonora all'orecchio dell'operatore		94 (dBA)

PL DANE TECHNICZNE		
1850W, 230-240 V c.a., 50Hz, A podwójna izolacja <input type="checkbox"/>		
Waga bez oleju	3,5 Kg	
Pojemność zbiornika oleju	150 cm ³	
Długość prowadnicy	35/40 cm	
Przyspieszenie drgań zarejestrowane w położeniu ręki operatora były następujące:		
Bez obciążenia	Przedni uchwyt	2.28 m/s ²
	Tyłni uchwyt	4.22 m/s ²
Znamionowe obciążenie	Przedni uchwyt	1.96 m/s ²
	Tyłni uchwyt	7.30 m/s ²
Poziomą hangteljesítményszint		103 (dBA)
Poziomą mocy dźwięku		104 (dBA)
Poziomą halasu (przy uchu operatore)		94 (dBA)

A. General description

- | | |
|--|---|
| <ul style="list-style-type: none"> 1) GUIDE BAR 2) CHAIN 3) FRONT HANDLE 4) SAFETY CHAINBRAKE / FRONT HAND GUARD 5) OIL FILLER CAP 6) SAFETY LOCK-OFF BUTTON 7) OIL LEVEL INDICATOR 8) TRIGGER 9) CHAIN TENSION SCREW | <ul style="list-style-type: none"> 10) BAR CLAMP NUTS 11) MOTOR AND AIR SLOTS 12) ELECTRIC POWER LEAD 13) CHAIN CATCHER 14) REAR HAND GUARD 15) SPIKES 16) OWNERS MANUAL 17) BLADE SHEATHS 18) LOCKING NUT |
|--|---|

Safety precautions



Use the Electramac 414-416 electric saw in the most appropriate way so as to avoid accidents. Follow the instructions and recommendations for proper, safe, effective use of the product. The user is responsible for following the instructions and recommendations in this manual supplied with the product.

Explanation of Symbols



Read the instructions carefully and make sure you fully understand how all the controls work



Warning/Important



Protective goggles or approved facemask



Operations of inspection and maintenance should always be carried out with the motor off and the stop button in the stop position



Approved earplugs or muffs



Brake on /off



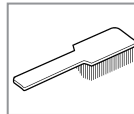
Approved safety footwear



Beware of kickback



Always keep a first aid kit on hand



Clean regularly



Emission of noise into the environment according to the applicable EEC directive



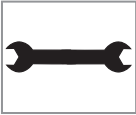
Do not cut with the end of the bar as this increases the risk of kickback



This product complies with the EEC directives in effect



Always hold the machine with both hands



All repairs should be made by specialized personnel



Disconnect from supply immediately if supply cable is damaged



Do not use the chainsaw in the rain or leave it exposed to the elements

Safety precautions

General information

Never allow children, or persons unfamiliar with these instructions, to use the chainsaw. Some local regulations may set limits on the age of the operator, always comply with the regulations in effect.

The chainsaw is suitable for cutting wood only. Do not use it to cut plastic materials or metal. Follow the cutting instructions in paragraph E.

Never hold the chainsaw near your body or your clothing when starting or using it. Before starting the chainsaw make sure nothing is touching the chain and do not start the tool when it is upside down.

Ensure you have a firm, secure footing when using the chainsaw and do not perform cutting operations while standing on the tree or on a ladder.

Before felling a tree, consider all conditions carefully, including the intended direction of fall, the natural lean of the tree, surrounding trees and obstacles, wind direction and speed.

Electric parts

Use only heavily insulated extension cords that comply with the regulations in effect.

Before starting the chainsaw make sure the cable is not in the cutting zone.

Always make sure that the mains cable and the extension cable do not show any sign of wear or damage, and replace any damage cables promptly. Keep the cable away from sources of heat, oil and sharp objects.

Use only original accessories and replacements as they have been designed to ensure the maximum safety and durability of the machine.

The name of your nearest authorized service dealer is printed in the service stations list enclosed in the package. We recommend that you have your unit checked periodically and serviced if necessary only by authorized personnel. Repairs and alterations on the chainsaw made by unauthorized personnel will invalidate the warranty.

Wear closely fitting clothing of the approved type.

Always wear adequate eye protection such as safety goggles or an approved facemask.

Wear an approved safety hard hat to protect your head along with approved ear protection (ear plugs or muffers), as chainsaw noise can damage your hearing in the long run. Local regulations may require other safety precautions when using chainsaws: always comply with the legislation in effect.

Prolonged use of chainsaws or other tool that expose the operator to vibrations, may cause "White-finger disease" (Raynaud syndrome). This may reduce the sensitivity of the hand to temperature as well as producing general numbness. Continual or regular users should therefore monitor the condition of their hands and fingers closely. If any of the symptoms appear, seek immediate medical advice.

Do not use the chainsaw in a potentially explosive environment; it is also a good idea for the operator always to carry an adequate first aid kit.

Never use the chainsaw, or any other power tool, if you are tired, ill or under the effect of medicine, alcohol or drugs.

Always keep the chainsaw out of the reach of children. Animals and bystanders should be kept at a safe distance.

Use the chainsaw in daylight and with good visibility.

When carrying the chainsaw, hold it by its front handle with the bar facing behind you.

Never drag the chainsaw by its cable or move it from one place to another while plugged in or with your fingers on the trigger.

Check every time you use the chainsaw that the chain stops immediately when the chain brake is engaged.

Never use the chainsaw when the brake is not working correctly, and contact your authorized service center at once.

When sawing, do not use the chainsaw above shoulder height. Make sure the chain does not touch any foreign objects such as rocks, nails, wires and other objects that could strike persons or animals, causing injury and even death. The operator is responsible for any accidents to third parties.

B. Instructions for assembly

IMPORTANT ! make sure the chainsaw is not plugged in before performing assembly or maintenance.

Assembly of bar and chain.

Remove the bar fastening knob (B1 in the drawing), remove the pinion cover (10).

Install the chain on the bar as shown in the figure B3, making sure the cutting edges are facing in the direction of rotation (clockwise) see drwg. B2.

Install the bar in its housing and fasten the chain on the pinion (B4 in the manual) taking care to fit the adjustment tooth in the hole on the par (see illustration B4 in the manual).

(B5) replace and partially tighten the bar fastening knob without tightening it all the way.

B6-B7: adjust the tightener knob and increase the tension so that when the chain is raised only the guide tooth is visible (B6).

Make sure the chain glides smoothly in the bar groove.

Tighten the bar fastener knob all the way (B1-B5).

NOTE to tighten the chain, turn clockwise; to loosen it, turn counter-clockwise.

Important: excessive tightening of the chain will shorten its life and that of the bar and motor.

B8: make sure the bar groove is free and clean.

Check the chain tension frequently during the break-in period.

C. Instructions for use

Fill the tank with high quality chain lubricating oil. Clean the tool to remove any oil that overflows. Do not use solvents or liquid detergent.

Important: check the oil level regularly and top up whenever it falls to less than a quarter. Do not use waste oil or lubricants with characteristics that differ from those indicated in this manual as this could

damage the tool **NEVER USE THE CHAINSAW WITHOUT OIL.**

Your chainsaw is designed to function only when its two handles are firmly gripped. To start the motor press the trigger (8) and safety button (6) simultaneously.

D. Safety chain brake

Action of the chain brake

Further protection is provided by the safety chain brake, that is operated with the left hand in case of recoil. Contact with the brake lever causes immediate stoppage of the chain.

See illustration D1 showing the high recoil risk zone

Chain brake lever system:

I= Machine on O= Machine off

D3 How to reset the chain brake after use:

Unplug the chainsaw and if the bar and chain are blocked in the wood, release them before resetting the brake.

To reset the brake pull the lever all the way back keeping the trigger (8) released as shown in Fig. D3 **Important!** Check the chain tension before starting the chainsaw again

E. Cutting

Crosscutting logs

Fig. E1

Start the motor before the chain touches the log. Hold the spike against the log and rotate the chain slowly around the log.

Fig. E2

To crosscut a log resting on its ends: start cutting from above to about 1/3 of the diameter, finish from below using the top edge of the bar.

This will prevent the bar from being caught in the cut. **Caution:** do not let the chain touch the ground.

Fig. E3

To crosscut a log on a sawhorse with at least one free end, cut from above.

Fig. E4

FELLING TREES

Important: a great deal of experience is needed to fell a tree – operators lacking experience should not fell trees

Important: we do not advise inexperienced loggers to fell trees when the length of the bar is less than the diameter of the tree

FELLING

Trees are felled with 3 cuts, first to direct the fall, by cutting a notch consisting of a downward diagonal cut, made first, followed by an upward diagonal cut that should end exactly where the first cut ends (see illustration alongside). The depth of the notch should be equal to about 1/4 of the diameter of the

tree and the angle of the upper and lower cuts should be at least 45°.

Main cut

The main cut is made on the opposite side from the directional cut and must be perfectly horizontal, and at a height about 3 cm above the base of the directional cut (see illustration)

Finish the cut at least 1/10 of the tree diameter from the directional notch. This is called the breakage line and serves to control the direction of fall of the tree because the tree will now start to fall. This can be facilitated using a crowbar on the main cut. Caution! If the breakage line is too small or is cut diagonally it will no longer be possible to control the direction of fall of the tree.

F. Sharpening the bar and chain, and maintenance of the bar

- Important: unplug the chainsaw before performing any cleaning and maintenance of the tool.
- Always wear approved work gloves
- Fig. B6 make sure the chain is tight enough to prevent it from moving during sharpening
- Fig. F1 pull the brake lever forward to block the chain on the bar
- The correct diameter of the file is 1/10 or more than the height of the cutting tooth.
- FIG. F2 Round file for sharpening 4 mm chain
- FIG. F3 File at a horizontal angle of 35° to the bar from the inside of the tooth toward the outside. First file all the teeth on one side then turn the chainsaw and file the teeth on the other side
- File in such a way that all the teeth are the same length.
- When only 3 mm (1/8") of the length of the cutting teeth remains, replace the chain.
- FIG F4 file perpendicular to the bar plane (90°)
- FIG F5 About every 5 sharpenings, check the cutting height against the cutting depth limiter (H). To reduce the height of the limiter use a caliber.
- FIG F6 Every 3 hours of work remove the bar and clean the groove, make sure the oil outlet hole is not obstructed by chips and remove all sawdust deposits from the tool.
Important: reverse the direction of installation of the bar every time you clean it so as to obtain uniform wear
- FIG F7 Check frequently that the ventilation slots on the motor are free and the grating is clean.

Electric safety

Voltage

Make sure the voltage rating of your mains complies with the rating of the chainsaw as shown on the plate on the motor casing.

Current

Your tool works only with AC power.

Plugs and extension cables

Use only approved insulated outlets, cables and plugs in PVC, comply strictly with the safety regulations in effect in your country. The tool has to be plugged into a power socket and not a light socket.

Disposal of obsolete products

When you decide to replace the product, or no longer need it, think of the environment. Your local distributor will take your old product back and

dispose of it in a way that is safe for the environment.

Troubleshooting table

	Motor does not start	Motor turns with difficulty or loses power	Chainsaw starts but does not cut properly	Motor turns improperly and/or at reduced speed
Make sure the mains are powered	•			
Make sure the machine is properly plugged into the wall socket	•			
Make sure neither the power cable nor the extension are damaged (see chapter on electric parts)	•			
Make sure the safety chain brake is not engaged (see chapter on safety chain brake)	•			
Carry out the procedures for correct installation of the chain			•	
Make sure the chain is sharpened, if not, contact your dealer			•	
Contact an authorized service center		•		•

If the chainsaw continues to malfunction, contact your dealer

GB EC Declaration of Conformity

The undersigned, authorised by E.O.P.I., declares that the following product: **ES 18**, manufactured by E.O.P.I., 23868 Valmadrera (LC), Via Como 72, Italy, is in accordance with the European Directives **98/37/CEE** (Machinery Directive), **73/23/EEC** (Low Voltage Directive), **93/68/CEE** (CE Marking Directive) & **89/336/CEE** (Directive on electromagnetic compatibility). Directive **2000/14/ECC** (Annex V).

DE CE Konformitätserklärung

Der Unterzeichnete, bevollmächtigt durch E.O.P.I., erklärt, daß folgendes Gerät: **ES 18**, hergestellt durch E.O.P.I., 23868 Valmadrera (LC), Via Como 72, Italy, den Europäischen Richtlinien **98/37/CEE** (Maschinenrichtlinie), **73/23/EEC** (Niederspannungsrichtlinie), **93/68/CEE** (CE Kennzeichnungsrichtlinie) & **89/336/CEE** (EMV Richtlinie) entspricht. Richtlinie **2000/14/ECC** (Anhang V).

FR Déclaration de conformité Européenne

Le soussigné, dûment mandaté par E.O.P.I., déclare que le produit suivant: **ES 18**, fabriqué par E.O.P.I., 23868 Valmadrera (LC), Via Como 72, Italy, est conforme aux Directives Européennes **98/37/CEE** (Directive Sécurité Machine), **73/23/EEC** (Directive Basse Tension), **93/68/CEE** (Directive Marquage CE) & **89/336/CEE** (Directive EMC). Directive **2000/14/ECC** (Annexe V).

NL EG Conformiteitsverklaring

Ondergetekende, gemachtigd door E.O.P.I., verklaart dat het volgende product: **ES 18**, geproduceerd door E.O.P.I., 23868 Valmadrera (LC), Via Como 72, Italy, voldoet aan de Europese Richtlijnen **98/37/CEE** (Machinerie Richtlijn), **73/23/EEC** (Mataal jännite-direktiv), **93/68/CEE** (EG Markering Richtlijn) & **89/336/CEE** (Richtlijn aangaande elektromagnetische compatibiliteit). Richtlijn **2000/14/ECC** (Annex V).

NO EF Erklæring om Overensstemmelse

Undertegnede, autorisert av E.O.P.I., erklærer at følgende produkt: **ES 18**, produsert av E.O.P.I., 23868 Valmadrera (LC), Via Como 72, Italy, er i overensstemmelse med følgende europeiske direktiver: **98/37/CEE** (Maskindirektiv), **73/23/EEC** (Direktiv for lavspenning), **93/68/CEE** (CE-merkningsdirektiv) & **89/336/CEE** (Direktiv om elektromagnetisk kompatibilitet). Direktiv **2000/14/ECC** (Annex V).

FI EU Julistus Vastaavuudesta

Allekirjoittanut, E.O.P.I. in valtuuttamana, vakuuttaa että seuraava tuote: **ES 18**, ja jotka on valmistanut E.O.P.I., 23868 Valmadrera (LC), Via Como 72, Italy, on Euroopan direktiivien **98/37/CEE** (Koneisto-direktiivi), **73/23/EEC** (Matala jännite-direktiivi), **93/68/CEE** (CE Merkintä-direktiivi) & **89/336/CEE** (Elektromagneettinen Yhteensopivuus-direktiivi) mukainen. Direktiivi **2000/14/ECC** (Liite V).

SE EC Declaration of Conformity

Undertecknad, auktoriserad av E.O.P.I., försäkras att följande produkt: **ES 18**, tillverkad av E.O.P.I., 23868 Valmadrera (LC), Via Como 72, Italy, är i överensstämmelse med följande europeiska direktiv **98/37/CEE** (Maskindirektiv), **73/23/EEC** (Lågspanningsdirektiv), **93/68/CEE** (CE-märknings-direktiv) & **89/336/CEE** (Elektromagnetisk kompatibilitet). Direktiv **2000/14/ECC** (Annex V).

DK EU Overensstemmelse-erklæring

Undertegnede, bemyndiget af E.O.P.I., erklærer herved, at følgende produkt: **ES 18**, E.O.P.I., 23868 Valmadrera (LC), Via Como 72, Italy, er i overensstemmelse med de europæiske direktiver **98/37/CEE** (Maskineri direktiv), **73/23/EEC** (Direktiv for lavspænding), **93/68/CEE** (CE mærkningsdirektiv) & **89/336/CEE** (EMC-direktiv). Direktiv **2000/14/ECC** (Annex V).

ES Declaracion de cumplimiento de la directriz de la UE

El abajo firmante, autorizado por E.O.P.I., afirma que el siguiente producto: **ES 18**, fabricado por E.O.P.I., 23868 Valmadrera (LC), Via Como 72, Italy, cumple con las directivas Europeas **98/37/CEE** (Directiva sobre Maquinaria), **73/23/EEC** (Directiva sobre Bajo Voltaje), **93/68/CEE** (Directiva sobre Marcas de la CE) & **89/336/CEE** (Directiva sobre 'Compatibilidad Electro Magnetica'). Directiva **2000/14/ECC** (Anexo V).

PT Declaração de Conformidade CE

O abaixo assinado, autorizado por E.O.P.I., declara que o seguinte produto: **ES 18**, fabricada por E.O.P.I., 23868 Valmadrera (LC), Via Como 72, Italy, estão de acordo com as Directivas Europeias **98/37/CEE** (Directiva de Maquinaria), **73/23/EEC** (Directiva sobre Baixas Tensões), **93/68/CEE** (Directiva de Marcação CE) & **89/336/CEE** (Directiva de Compatibilidade Electromagnética). Directiva **2000/14/ECC** (Apêndice V).

IT Dichiarazione di Conformità CE

Il sottoscritto, autorizzato dalla E.O.P.I., dichiara che il seguente prodotto: **ES 18**, costruito dalla E.O.P.I., 23868 Valmadrera (LC), Via Como 72, Italia, è conforme alle Direttive Europee: **98/37/CEE** (Direttiva Macchine), **73/23/EEC** (Direttiva Bassa Tensione), **93/68/CEE** (Direttiva Marcatura CE) & **89/336/CEE** (Direttiva Compatibilità Elettromagnetica). Direttiva **2000/14/ECC** (Allegato V).

GR Δήλωση Συμμόρφωσης προς τις Εντολές της ΕΕ

Ο υπογεγραμμένος, με εξουσιοδότηση της Ε.Ο.Π.Ι., δηλώνει ότι τα εξής προϊόντα: **ES 18**, κατασκευασθέντα από την Ε.Ο.Π.Ι., 23868 Valmadrera (LC), Via Como 72, Italy, ανταποκρίνονται προς τις Ευρωπαϊκές Εντολές, **73/23/EEC** Οδηγία χαμηλής τάσης (ασφάλεια), **98/37/CEE** (η περί Μηχανημάτων Εντολή), **93/68/CEE** (η περί του Σήματος CE Εντολή) & **89/336/CEE** (η περί Ηλεκτρομαγνητικής Συμβατότητας Εντολή). Κανονισμός **2000/14/ECC** (V).

PL Deklaracja zgodności z przepisami Unii Europejskiej

Producent E.O.P.I. deklaruje, że następujące produkty: Wykaszarki spalnowe **ES 18**, są zgodne z europejskimi normami **98/37/CCE**(Zalecenie odnośnie Maszyn Unii Europejskiej) **93/68/CEE** (Zalecenie odnośnie markowania) & **89/336/CEE**(Zalecenie odnośnie elektromagnetycznej kompatybilności), **73/23/CEE** (Low Voltage Directive) (Zalecenie odnośnie niskiego napięcia). Dyrektywa **2000/14/CEE** (Aneks V)

HU EC nyilatkozat

Alulírott, a E.O.P.I. által meghatalmazott ezennel kijelenti, hogy a következő termékek: **ES 18**, amelyet a E.O.P.I., 23868 Valmadrera (LC), Via Como 72, Italy gyárt, megfelelnek a **98/37/CEE** európai irányelvnek (gépi berendezések irányelv), a **73/23/EEC**, a **93/68/CEE** európai irányelvnek (CE-irányelv) és a **89/336/CEE** (az elektromágneses kompatibilitásra vonatkozó irányelv). Direktíva **2000/14/ECC** (Melléklet V).

Electrolux Outdoor Products

Via Como 72

23868 Valmadrera (Lecco)

ITALIA

Phone +39 0341 203111 - Fax +39 0341 581671

Our policy of continuous improvement means that the specification of products may be altered from time to time without prior notice. Electrolux Outdoor Products manufacture products for a number of well known brands under various registered patents, designs and trademarks in several countries.

© Electrolux Outdoor Products

**The Electrolux Group. The world's No. 1 choice.**

The Electrolux Group is the world's largest producer of powered appliances for kitchen, cleaning and outdoor use. More than 55 million Electrolux Group products (such as refrigerators, cookers, washing machines, vacuum cleaners, chain saws and lawn mowers) are sold each year to a value of approx. USD 14 billion in more than 150 countries around the world.

