

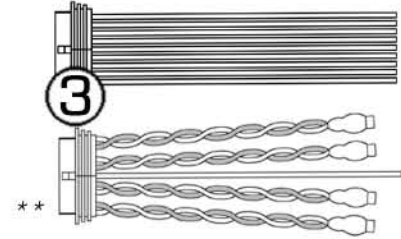
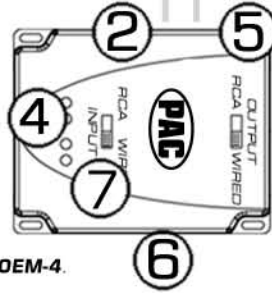
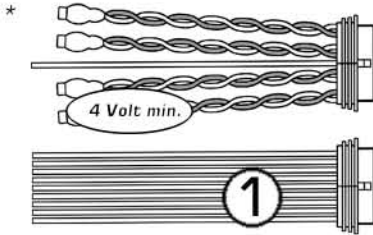
MODEL SOEM-4

4ch Programmable Source Unit Interface



The Super OEM (**SOEM-4**) has been created as a one-device solution for today's sophisticated vehicle sound systems. It has an Auto Remote Amp Turn-on Output programmable input and output circuitry with slide switches, which allow connection of RCA level or speaker level input or output. One **SOEM-4** can do the job of up to six typical LOC products and do so with optimally configured circuitry for each application, not to mention all of the vehicle specific, premium sound applications it covers!

SOEM Design Features



* 4 volt min. RCA level, if using RCA signal as INPUT to SOEM-4.

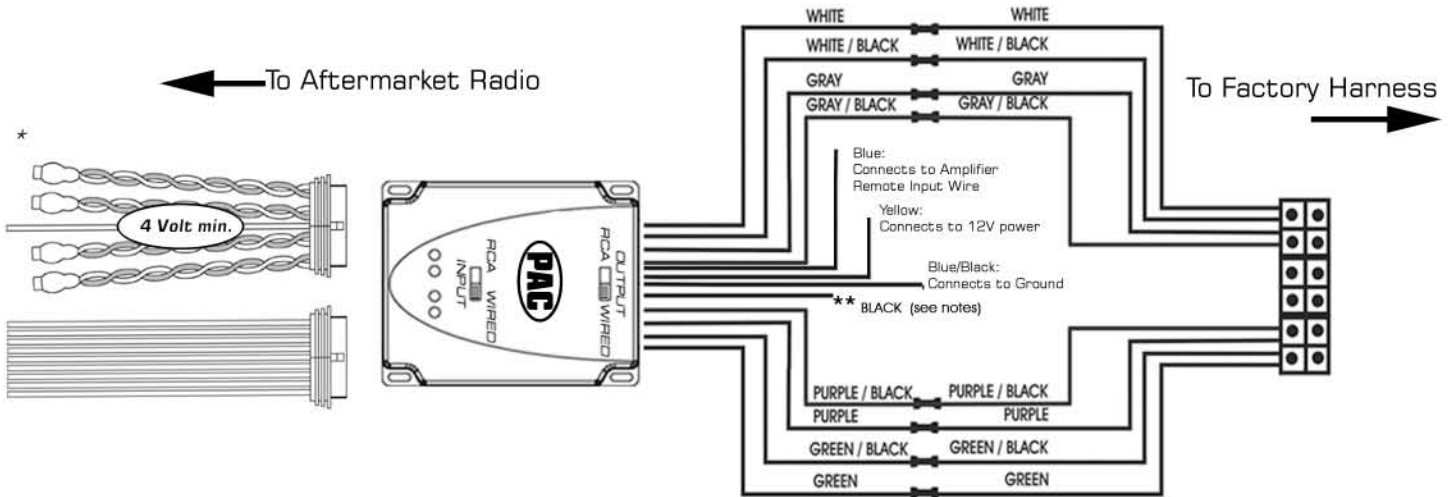
Yellow: Connects to 12V power
Blue/Black: Connects to Ground
Blue: Connects to Amplifier Remote Input Wire

- ① Exchangeable Wired or RCA - Input & Output Harnesses
- ② Input Audio Optimizing Circuitry
- ③ Integrated Wire Strain Relief
- ④ Independent Level controls
- ⑤ Output Audio Optimizing Circuitry
- ⑥ Easy and Secure snap together housing for harnesses access
- ⑦ RCA setting 1:1 WIRED setting 5:1 (INPUT switch)

** For diagram purpose ONLY. **SOEM-4** comes w/only one RCA harness

GENERAL WIRING INSTRUCTIONS

For Replacing the factory radio and retaining the factory amplification systems.



* Note : 4 volt min. RCA level, if using RCA signal as INPUT to **SOEM-4**.

WIRE COLOR	FUNCTION
**BLACK	Optional audio ground (ties RCA (-) conductors together; also provides audio reference ground necessary for some installations).
GREY	Right Front Positive INPUT / OUTPUT
GREY/BLACK	Right Front Negative INPUT / OUTPUT
WHITE	Left Front Positive INPUT / OUTPUT
WHITE/BLACK	Left Front Negative INPUT / OUTPUT
PURPLE	Right Rear Positive INPUT / OUTPUT - Triggers remote output
PURPLE/BLACK	Right Rear Negative INPUT / OUTPUT
GREEN	Left Rear Positive INPUT / OUTPUT
GREEN/BLACK	Left Rear Negative INPUT / OUTPUT
YELLOW	12V Power
BLUE/BLACK	Ground (must be connected)
BLUE*	Remote Amplifier Trigger - Activated by signal on purple wire

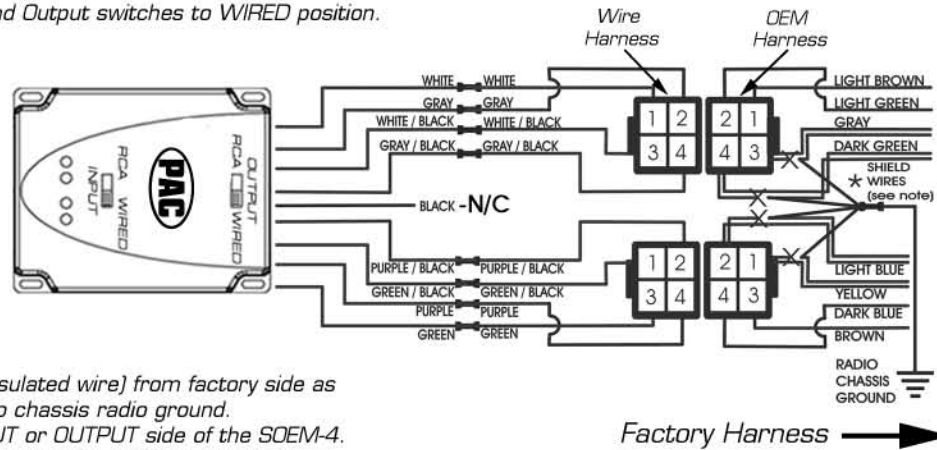
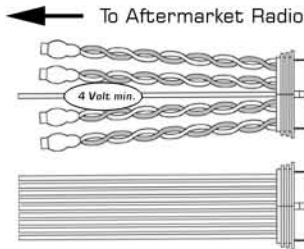
NOTES :

BLACK wire on INPUT/OUTPUT are internally connected.

If switch is set to RCA (OUTPUT) then BLACK wire termination (ground/no connection) determines whether Negative OUTPUTS are common to ground or to each other.

Pre 1985 General Motors Bose

> **SWITCH SETTING** - Set both Input and Output switches to WIRED position.

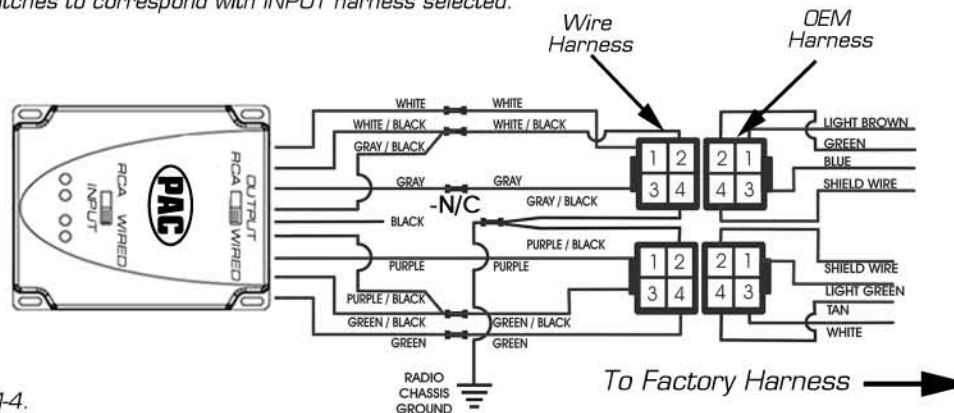
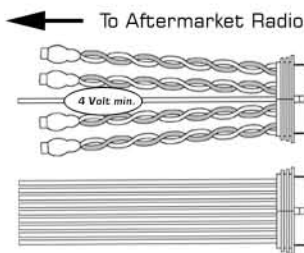


INSTALLATION NOTES

- > Cut away shield wires (clear or uninsulated wire) from factory side as illustrated in diagram and connect to chassis radio ground.
- > No connection for BLACK wire INPUT or OUTPUT side of the SOEM-4.
- > Wired INPUTS (speaker level) are recommended for best signal.

1985-1989 Corvette / Bose

> **SWITCH SETTING** - Set INPUT switches to correspond with INPUT harness selected.
> Set OUTPUT to WIRED.

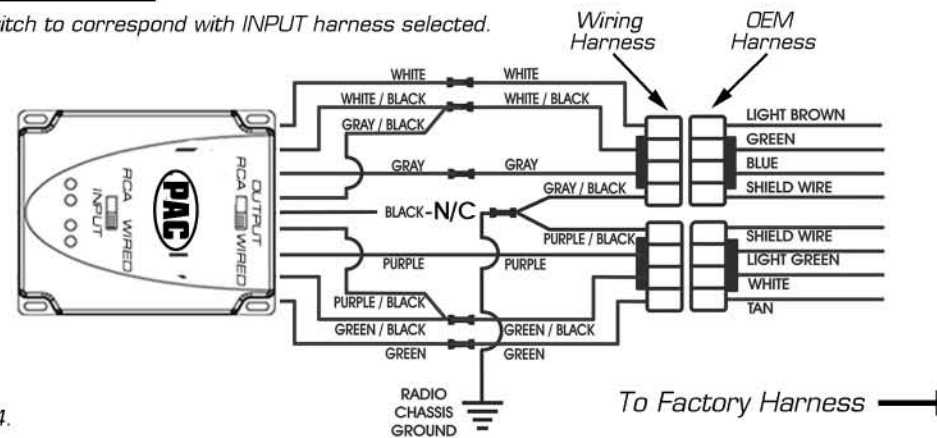
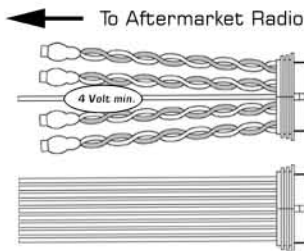


INSTALLATION NOTES

- > No connection for BLACK wire on INPUT or OUTPUT side of the SOEM-4.

1990-1998 General Motors Bose

> **SWITCH SETTING** - Set INPUT switch to correspond with INPUT harness selected.
> Set OUTPUT to WIRED.

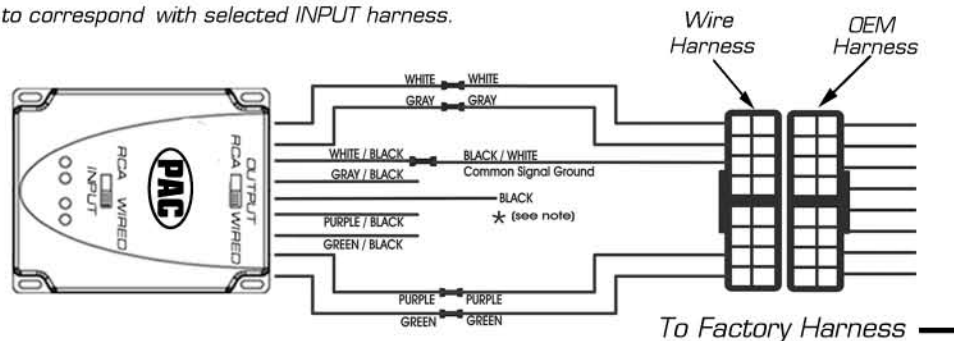
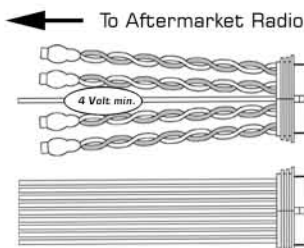


INSTALLATION NOTES

- > No connection for BLACK wire on INPUT or OUTPUT side of the SOEM-4.

Common Audio Signal Ground

> **SWITCH SETTING** - Set Input switch to correspond with selected INPUT harness.
Set OUTPUT switch to RCA.



INSTALLATION NOTES

- > Only one OUTPUT negative wire (white/black) is required with switch set for RCA.
- > Connect BLACK wire to ground or no connection depending on factory amplifier style.
- > BLACK wire on INPUT and OUTPUT are internally connected.