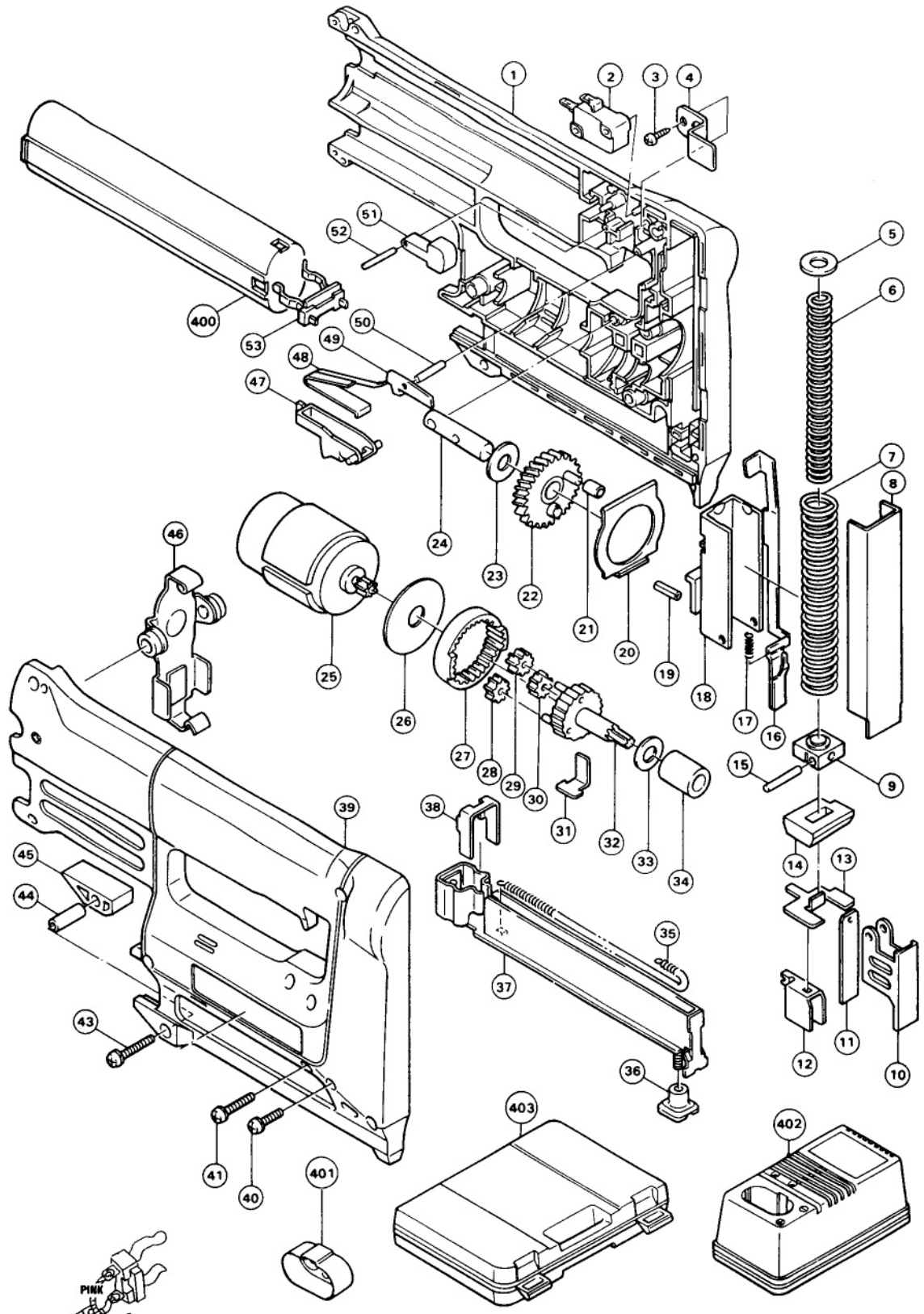




3/8" CORDLESS STAPLER

Model T220D
Model T220DW



IMPORTANT!
To assure product **SAFETY** and **RELIABILITY**, repairs, maintenance or adjustments should be performed by **MAKITA** Service Centers or other qualified service organizations. Always use **MAKITA** replacement parts.

WIRING DIAGRAM

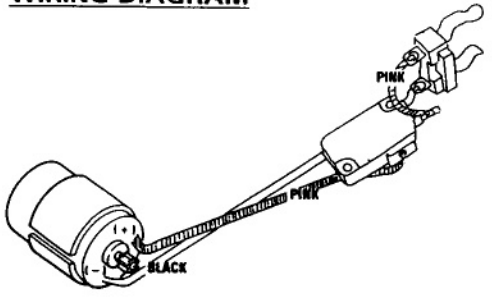


Fig.	Part No.	Qty. Used	Description	Fig.	Part No.	Qty. Used	Description
1	182540-1	1	HOUSING SET (INCL. FIG. 39)	29	221961-3	1	SPUR GEAR 27
2	651891-8	1	SWITCH	30	221961-3	1	SPUR GEAR 27
3	265873-0	1	TAPPING SCREW BT 4X14	31	232108-4	1	LEAF SPRING
4	343967-2	1	FIX PLATE	32	153204-4	1	HELICAL GEAR 7 COMPLETE
5	253733-8	1	FLAT WASHER 9	33	253758-2	1	FLAT WASHER 10
6	233003-1	1	COMPRESSION SPRING 9	34	214058-5	1	PLANE BEARING 10
7	233004-9	1	COMPRESSION SPRING 13	35	231789-1	1	TENTION SPRING 4
8	343630-7	1	GUIDE PLATE	36	252634-7	1	NUT M4
9	331382-2	1	DRIVER LOCK	37	168239-2	1	SUB MAGAZINE
10	343928-2	1	DRIVER GUIDE	38	343635-7	1	MAGAZINE LOCK
11	343929-0	1	DRIVER	39	182540-1	1	HOUSING SET (INCL. FIG. 1)
12	343930-5	1	PUSHER	40	911128-8	2	PAN HEAD SCREW M4X16
13	343632-3	1	PUSHER GUIDE	41	911143-2	6	PAN HEAD SCREW M4X22
14	421358-8	1	CUSHION	43	911148-2	3	PAN HEAD SCREW M4X25
15	256206-0	1	PIN 4	44	257645-7	1	SLEEVE 4
16	164961-9	1	SAFETY LEVER	45	415045-9	1	BLOCK
17	233002-3	1	COMPRESSION SPRING 3	46	150377-4	1	SET PLATE COMPLETE
18	165028-6	1	HAMMER	47	414549-8	1	SWITCH LEVER
19	951107-4	1	SPRING PIN 4-14	48	232107-6	1	LEAF SPRING
20	343629-2	1	PLATE	49	343628-4	1	RELEASE PLATE
21	257639-2	1	SLEEVE 4	50	256158-5	1	PIN 3
22	153203-6	1	HELICAL GEAR 53 COMPLETE	51	415044-1	1	LEVER
23	253171-4	1	FLAT WASHER 10	52	256176-3	1	PIN 2.5
24	256205-2	1	PIN 10	53	643909-9	1	BATTERY HOLDER
25	629613-4	1	DC MOTOR 9.6V (INCL. SPUR GEAR 15, 221882-9)	ACCESSORIES			
26	267053-4	1	FLAT WASHER 12	400	632007-4	1	BATTERY 9000
27	221999-8	1	INTERNAL GEAR 69	401	414938-7	1	BATTERY COVER
28	221961-3	1	SPUR GEAR 27	402	113103-2	1	CHARGER DC9700
				403	182533-8	1	PLASTIC TOOL CASE

2 Model T220D
2 Model T220DW

09-92