

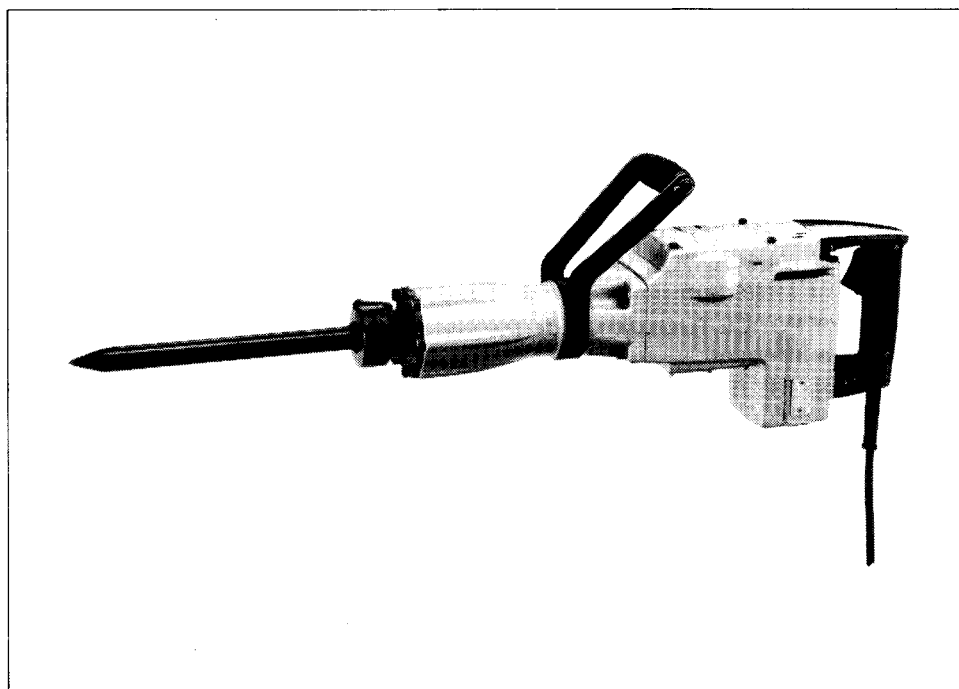
# Makita

アメリカ

# Demolition Hammer

MODEL HM1301

## INSTRUCTION MANUAL



### SPECIFICATIONS

Blows per minute	Overall length	Net weight
1,200	643 mm (25-5/16")	16.3 kg (36 lbs)

\* Manufacturer reserves the right to change specifications without notice.

\* Note: Specifications may differ from country to country.

# **IMPORTANT SAFETY INSTRUCTIONS**

## **(For All Tools)**

**WARNING: WHEN USING ELECTRIC TOOLS, BASIC SAFETY PRECAUTIONS SHOULD ALWAYS BE FOLLOWED TO REDUCE THE RISK OF FIRE, ELECTRIC SHOCK, AND PERSONAL INJURY, INCLUDING THE FOLLOWING:**

### **READ ALL INSTRUCTIONS.**

- 1. KEEP WORK AREA CLEAN.** Cluttered areas and benches invite injuries.
- 2. CONSIDER WORK AREA ENVIRONMENT.** Don't use power tools in damp or wet locations. Keep work area well lit. Don't expose power tools to rain. Don't use tool in presence of flammable liquids or gases.
- 3. KEEP CHILDREN AWAY.** All visitors should be kept away from work area. Don't let visitors contact tool or extension cord.
- 4. STORE IDLE TOOLS.** When not in use, tools should be stored in dry, and high or locked-up place — out of reach of children.
- 5. DON'T FORCE TOOL.** It will do the job better and safer at the rate for which it was intended.
- 6. USE RIGHT TOOL.** Don't force small tool or attachment to do the job of a heavy-duty tool. Don't use tool for purpose not intended.
- 7. DRESS PROPERLY.** Don't wear loose clothing or jewelry. They can be caught in moving parts. Rubber gloves and non-skid footwear are recommended when working outdoors. Wear protective hair covering to contain long hair.
- 8. USE SAFETY GLASSES.** Also use face or dust mask if cutting operation is dusty.
- 9. DON'T ABUSE CORD.** Never carry tool by cord or yank it to disconnect from receptacle. Keep cord from heat, oil, and sharp edges.
- 10. SECURE WORK.** Use clamps or a vise to hold work. It's safer than using your hand and it frees both hands to operate tool.
- 11. DON'T OVERREACH.** Keep proper footing and balance at all times.
- 12. MAINTAIN TOOLS WITH CARE.** Keep tools sharp and clean for better and safer performance. Follow instructions for lubricating and changing accessories. Inspect tool cords periodically and if damaged, have repaired by authorized service facility. Inspect extension cords periodically and replace if damaged. Keep handles dry, clean, and free from oil and grease.
- 13. DISCONNECT TOOLS.** When not in use, before servicing, and when changing accessories, such as blades, bits, cutters.

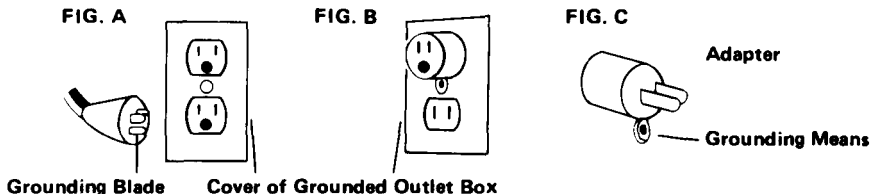
14. **REMOVE ADJUSTING KEYS AND WRENCHES.** Form habit of checking to see that keys and adjusting wrenches are removed from tool before turning it on.
15. **AVOID UNINTENTIONAL STARTING.** Don't carry plugged-in tool with finger on switch. Be sure switch is OFF when plugging in.
16. **OUTDOOR USE EXTENSION CORDS.** When tool is used outdoors, use only extension cords intended for use outdoors and so marked.
17. **STAY ALERT.** Watch what you are doing, use common sense. Don't operate tool when you are tired.
18. **CHECK DAMAGED PARTS.** Before further use of the tool, a guard or other part that is damaged should be carefully checked to determine that it will operate properly and perform its intended function. Check for alignment of moving parts, binding of moving parts, breakage of parts, mounting, and any other conditions that may affect its operation. A guard or other part that is damaged should be properly repaired or replaced by an authorized service center unless otherwise indicated elsewhere in this instruction manual. Have defective switches replaced by authorized service center. Don't use tool if switch does not turn it on and off.
19. **GUARD AGAINST ELECTRIC SHOCK.** Prevent body contact with grounded surfaces. For example; pipes, radiators, ranges, refrigerator enclosures.
20. **PROPER GROUNDING.** This tool should be grounded while in use to protect the operator from electric shock.
21. **EXTENSION CORDS:** Use only three-wire extension cords which have three-prong grounding-type plugs and three-pole receptacles which accept the tool's plug. Replace or repair damaged or worn cord immediately.

**VOLTAGE WARNING:** Before connecting the tool to a power source (receptacle, outlet, etc.) be sure the voltage supplied is the same as that specified on the nameplate of the tool. A power source with voltage greater than that specified for the tool can result in **SERIOUS INJURY** to the user — as well as damage to the tool. If in doubt, **DO NOT PLUG IN THE TOOL.** Using a power source with voltage less than the nameplate rating is harmful to the motor.

## For all grounded tools with American type plug.

**GROUNDING INSTRUCTIONS:** This tool should be grounded while in use to protect the operator from electric shock. The tool is equipped with a three-conductor cord and three-prong grounding-type plug to fit the proper grounding-type receptacle. The green (or green and yellow) conductor in the cord is the grounding wire. Never connect the green (or green and yellow) wire to a live terminal. Your unit is for use on 115 volts and has a plug that looks like Fig. "A".

An adapter Fig. "B" and "C" is available for connecting Fig. "A" type plugs to two-prong receptacles. The green-colored rigid ear, lug, etc., extending from the adapter must be connected to a permanent ground, such as a properly grounded outlet box.



## ADDITIONAL SAFETY RULES

1. Wear a hard hat (safety helmet) and an ear protector if necessary.
2. Be sure the bit is secured in place before operation.
3. Under normal operation, the tool is designed to produce vibration. The screws can come loose easily, causing a breakdown or accident. Check tightness of screws carefully before operation.
4. In cold weather or when the tool has not been used for a long time, let the tool warm up for several minutes by operating it under no load. This will loosen up the lubrication. Without proper warm-up hammering operation is difficult.
5. Always be sure you have a firm footing.  
Be sure no one is below when using the tool in high locations.
6. Hold the tool firmly with both hands. Always use the side grip.
7. Keep hands away from moving parts.
8. Do not leave the tool running. Operate the tool only when hand-held.
9. Do not point the tool at any one in the area when operating. The bit could fly out and injure someone seriously.
10. When chipping into walls, floors or wherever "live" electrical wires may be encountered, **DO NOT TOUCH ANY METAL PARTS OF THE TOOL!** Hold the tool only by the plastic handle or the side grip to prevent electric shock if you chip into a "live" wire.
11. Do not touch the bit or parts close to the bit immediately after operation; they may be extremely hot and could burn your skin.

**SAVE THESE INSTRUCTIONS.**

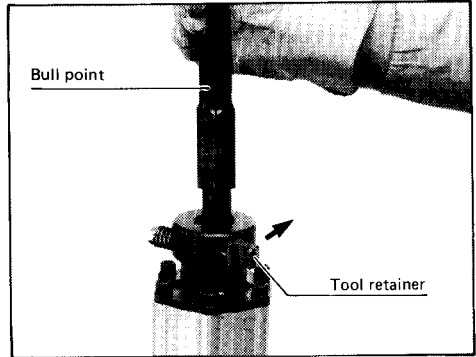
- **Installing or removing bull point or other bits (cold chisel, etc.)**

**CAUTION:**

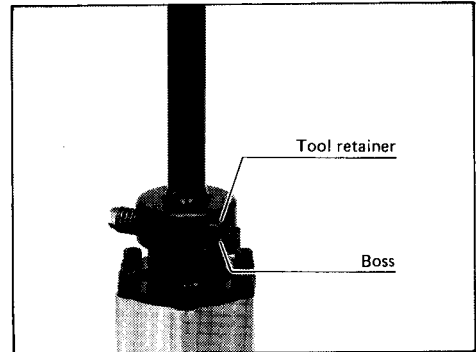
Always be sure that the tool is switched off and unplugged before installing or removing the bit.

Pull out and turn the tool retainer so that the boss on the tool retainer faces in the direction of the arrow. Insert the bit into the tool holder as far as it will go. Then turn the tool retainer 180 degrees to secure the bit.

To remove the bit, follow the installation procedure in reverse.



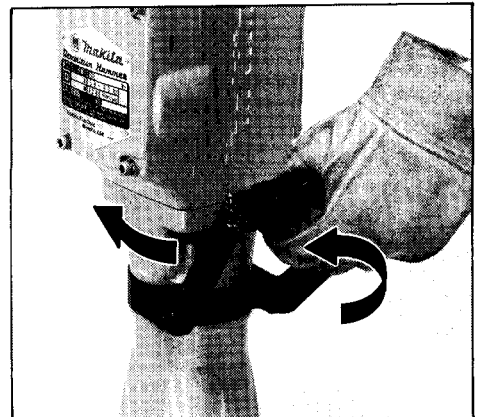
**Fig. 1**



**Fig. 2**

- **Swivel handle**

The easy-grip handle swivels a full 360°. This makes the demolition hammer extremely handy for all kinds of operation.



**Fig. 3**

- **Switch action**

To start the tool, simply pull the trigger. Release the trigger to stop.

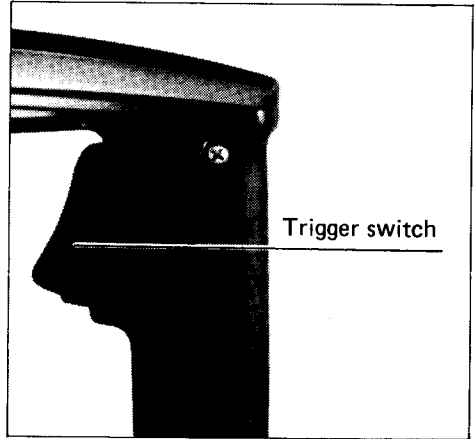


Fig. 4

**CAUTION:**

Before plugging in the tool, always check to see that the trigger switch actuates properly and returns to the "OFF" position when released.

- **Demolishing · Chipping · Scaling**

Choose the right accessories for your work. After mounting the suitable accessory and switching on the demolition hammer, let the mere weight of the tool itself apply pressure to the work surface.



Fig. 5

## MAINTENANCE

### CAUTION:

ALWAYS be sure that the tool is switched off and unplugged before attempting to perform inspection and maintenance.

#### • Oiling

Oiling should be performed every three hours (once a day before use). Hold the tool vertically and pull the lubrication knob three to five times. Oil in the tank should be replenished about every 20 days, presuming 3 – 4 hours' operation daily, or when oil is out of sight through the window after placing the tool vertically.

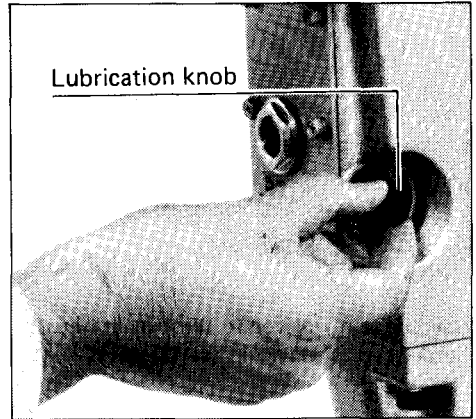


Fig. 6

To replenish, remove oil gauge with a wrench.

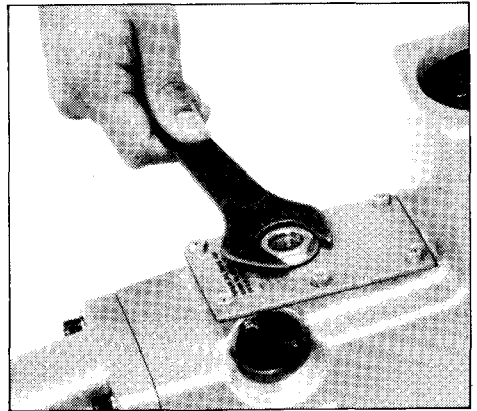


Fig. 7

#### • Replacing carbon brushes

Both carbon brushes should be replaced after about 150 hours of use. When the resin insulating tip inside the carbon brush is exposed to contact the commutator, it will automatically shut off the motor. If carbon brushes wear out too quickly, ask Makita Authorized or Factory Service Centers to determine the cause before replacing them. Use only Makita carbon brushes.

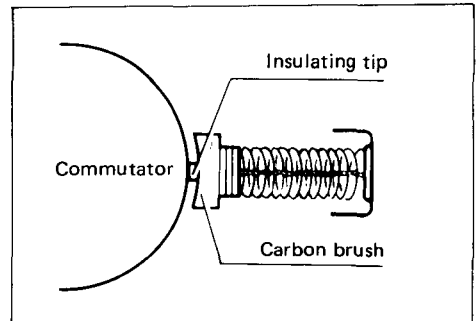


Fig. 8

Use the screwdriver to remove the screw holding the holder cap plate as shown in the figure.

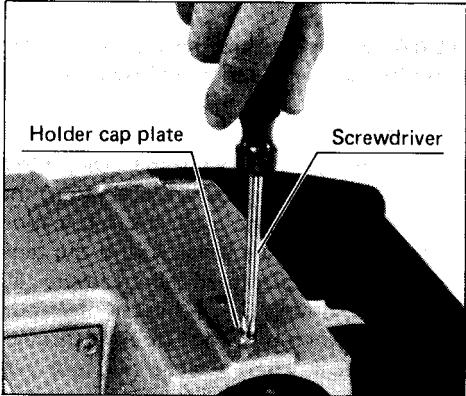


Fig. 9

Use the screwdriver to remove the brush holder cap as shown in the figure.

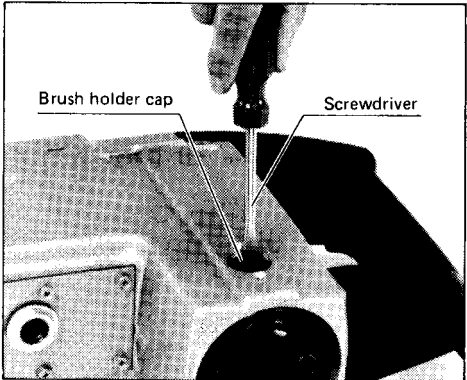


Fig. 10

Take out the worn brush, insert the new one and secure the brush holder cap.

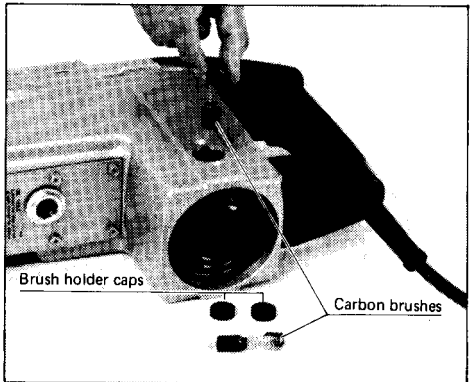


Fig. 11

To maintain product SAFETY and RELIABILITY, repairs, any other maintenance and adjustment should be performed by Makita Authorized or Factory Service Centers, always using Makita replacement parts.



## ACCESSORIES

### CAUTION:

These accessories or attachments are recommended for use with your Makita tool specified in this manual. The use of any other accessories or attachments might present a risk of injury to persons. The accessories or attachments should be used only in the proper and intended manner.

- **Bull point**

410 mm (16-1/8'')  
Part No. 751407-0



- **Cold chisel**

36 mm (1-3/8'') x 410 mm (16-1/8'')  
Part No. 751207-8



- **Scaling chisel**

100 mm (4'') x 310 mm (12-1/4'')  
Part No. 751211-7



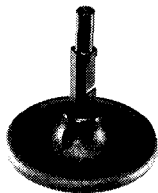
- **Clay spade**

120 mm (4-3/4'') x 500 mm (19-5/8'')  
Part No. 751604-8



- **Rammer**

200 mm (8'')  
Part No. 751702-8



- **Oil supply (100 cc)**

Part No. 181118-7



- **Wrench 23**

Part No. 781012-9



- **Hex wrench 5**

Part No. 783203-8



- **Wrench 23**

Part No. 781012-9

- **Hex wrench 6**

Part No. 783204-6

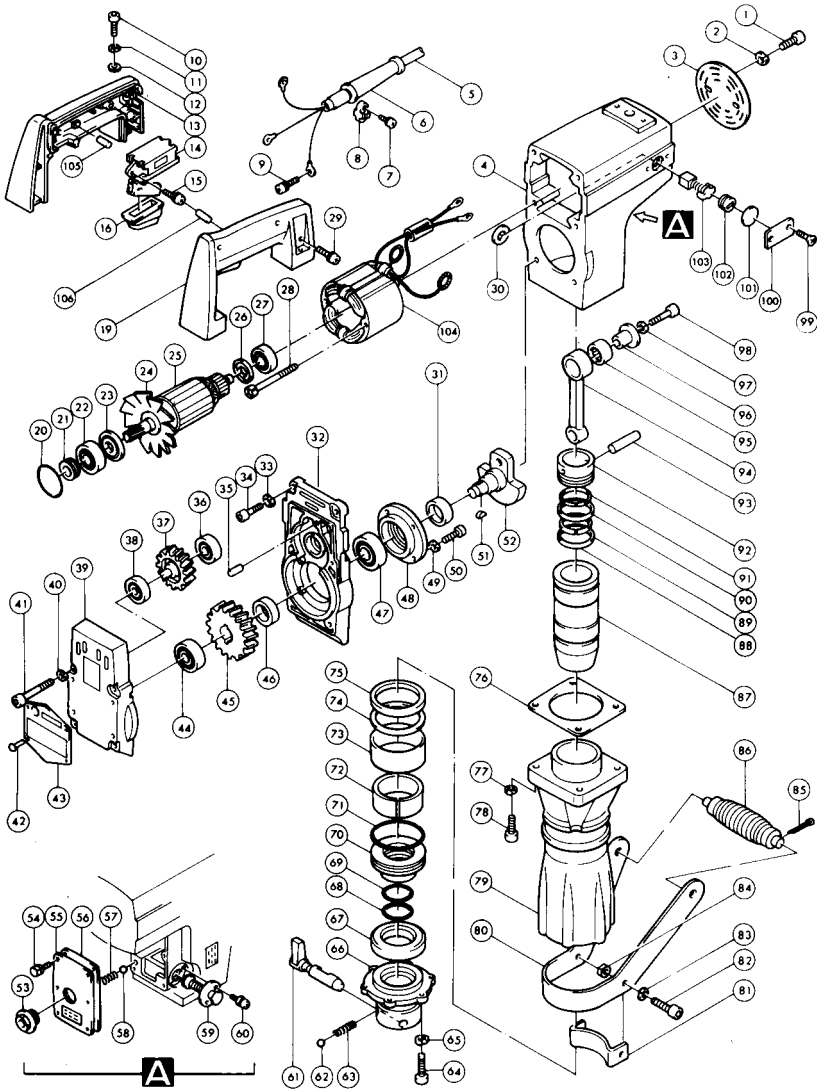


- **Steel carrying case**

Part No. 181805-8



# DEMOLITION HAMMER Model HM1301



Note: The switch and other part configurations may differ from country to country.

ITEM NO.	NO. USED	DESCRIPTION	ITEM NO.	NO. USED	DESCRIPTION
<b>MACHINE</b>			<b>MACHINE</b>		
1	2	Hex Socket Head Bolt M6x16	54	6	Hex Bolt M5x14 (With Washer)
2	2	Spring Washer 6	55	1	Oil Tank Cover
3	1	Rear Cover	56	1	Oil Tank Packing
4	1	Motor Housing	57	1	Compression Spring 4
5	1	CORD ASSEMBLY (Assembled Cord, Plug & Item 6)	58	1	Steel Ball 4.8
6	1	Cord Guard	59	1	Plunger
7	1	Pan Head Screw M4x18 (With Washer)	60	2	Pan Head Screw M4x14 (With Washer)
8	1	Strain Relief	61	1	Tool Retainer
9	1	Pan Head Screw M4x8 (With Washer)	62	1	Steel Ball 7.9
10	4	Hex Socket Head Bolt M6x30	63	1	Compression Spring 5
11	4	Spring Washer 6	64	6	Hex Socket Head Bolt M8x30
12	4	Flat Washer 6	65	6	Spring Washer 8
13	1	Handle Set (With Item 19)	66	1	Tool Holder
14	1	Switch	67	1	Urethane Ring 44
15	1	Pan Head Screw M4x16 (With Washer)	68	1	O Ring 24
16	1	Dust Cover	69	1	O Ring 24
19	1	Handle Set (With Item 13)	70	1	Seal Holder
20	1	O Ring 35	71	1	O Ring 65
21	1	Screw Seal	72	1	Idler
22	1	Ball Bearing 6202LLB	73	1	Rubber Ring 68
23	1	Dust Seal 15	74	1	Flat Washer 60
24	1	Fan 92	75	1	Nylon Ring 60
25	1	ARMATURE ASSEMBLY (With Item 22 - 27)	76	1	Cylinder Packing
26	1	Dust Seal 10	77	4	Spring Washer 8
27	1	Ball Bearing 6200LLB	78	4	Hex Socket Head Bolt M8x35
28	2	Hex Bolt M5x75 (With Washer)	79	1	Cylinder
29	3	Pan Head Screw M5x25 (With Washer)	80	1	Side Handle
30	2	Insulation Washer	81	1	Plate
31	1	Oil Seal 30	82	2	Hex Socket Head Bolt M8x25
32	1	Gear Housing	83	2	Spring Washer 8
33	2	Spring Washer 6	84	2	Hex U Nut M8x13
34	2	Hex Socket Head Bolt M6x25	85	2	Split Pin 4-25
35	1	Pin 6	86	1	Grip 38
36	1	Ball Bearing 6201LLB	87	1	Hammer
37	1	Helical Gear 43	88	1	Piston Ring 46
38	1	Ball Bearing 6201LLB	89	1	Inner Ring 42
39	1	Gear Housing Cover	90	1	Piston Ring 46
40	4	Spring Washer 6	91	1	Inner Ring 42
41	4	Hex Socket Head Bolt M6x60	92	1	Piston
42	4	Rivet 0-5	93	1	Pin 10
43	1	Name Plate	94	1	Connecting Rod
44	1	Ball Bearing 6302LLB	95	1	Needle Bearing 1716
45	1	Helical Gear 68	96	1	Crank Sleeve
46	1	Ring 25	97	1	Spring Washer 10
47	1	Ball Bearing 6205LLB	98	1	Hex Socket Head Bolt M10x35
48	1	Bearing Box	99	4	Countersunk Head Screw M4x10 (With Washer)
49	4	Spring Washer 6	100	2	Holder Cap Plate
50	4	Hex Socket Head Bolt M6x18	101	2	Cap Rubber
51	2	Woodruff key 4	102	2	Holder Cap
52	1	Crank Shaft	103	2	Carbon Brush
53	1	Oil Gauge	104	1	FIELD ASSEMBLY
			105	1	Rubber Pin 4
			106	1	Rubber Pin 4

Note: The switch and other part specifications may differ from country to country.



## MAKITA LIMITED ONE YEAR WARRANTY

### Warranty Policy

Every Makita tool is thoroughly inspected and tested before leaving the factory. It is warranted to be free of defects from workmanship and materials for the period of ONE YEAR from the date of original purchase. Should any trouble develop during this one-year period, return the COMPLETE tool, freight prepaid, to one of Makita's Factory or Authorized Service Centers. If inspection shows the trouble is caused by defective workmanship or material, Makita will repair (or at our option, replace) without charge.

This Warranty does not apply where:

- repairs have been made or attempted by others;
- repairs are required because of normal wear and tear;
- The tool has been abused, misused or improperly maintained;
- alterations have been made to the tool.

IN NO EVENT SHALL MAKITA BE LIABLE FOR ANY INDIRECT, INCIDENTAL OR CONSEQUENTIAL DAMAGES FROM THE SALE OR USE OF THE PRODUCT. THIS DISCLAIMER APPLIES BOTH DURING AND AFTER THE TERM OF THIS WARRANTY.

MAKITA DISCLAIMS LIABILITY FOR ANY IMPLIED WARRANTIES, INCLUDING IMPLIED WARRANTIES OF "MERCHANTABILITY" AND "FITNESS FOR A SPECIFIC PURPOSE," AFTER THE ONE-YEAR TERM OF THIS WARRANTY.

This Warranty gives you specific legal rights, and you may also have other rights which vary from state to state. Some states do not allow the exclusion or limitation of incidental or consequential damages, so the above limitation or exclusion may not apply to you. Some states do not allow limitation on how long an implied warranty lasts, so the above limitation may not apply to you.

**Makita Corporation**

3-11-8, Sumiyoshi-cho,  
Anjo, Aichi 446 Japan

883445A067

PRINTED IN JAPAN

1991 — 11 — N